

ENGINE SECTION 1

This service manual has been prepared to provide SUBARU service personnel with the necessary information and data for the correct maintenance and repair of SUBARU vehicles.

This manual includes the procedures for maintenance, disassembling, reassembling, inspection and adjustment of components and diagnostics for guidance of experienced mechanics.

Please peruse and utilize this manual fully to ensure complete repair work for satisfying our customers by keeping their vehicle in optimum condition. When replacement of parts during repair work is needed, be sure to use SUBARU genuine parts.

All information, illustration and specifications contained in this manual are based on the latest product information available at the time of publication approval.

FUEL INJECTION (FUEL SYSTEMS)	FU(H4SO 2.0)
EMISSION CONTROL (AUX. EMISSION CONTROL DEVICES)	EC(H4SO 2.0)
INTAKE (INDUCTION)	IN(H4SO 2.0)
MECHANICAL	ME(H4SO 2.0)
EXHAUST	EX(H4SO 2.0)
COOLING	CO(H4SO 2.0)
LUBRICATION	LU(H4SO 2.0)
SPEED CONTROL SYSTEMS	SP(H4SO 2.0)
IGNITION	IG(H4SO 2.0)
STARTING/CHARGING SYSTEMS	SC(H4SO 2.0)
ENGINE (DIAGNOSTICS)	EN(H4SO 2.0) (diag)
FUEL INJECTION (FUEL SYSTEMS)	FU(H4SO 2.5)
EMISSION CONTROL (AUX. EMISSION CONTROL DEVICES)	EC(H4SO 2.5)
INTAKE (INDUCTION)	IN(H4SO 2.5)
MECHANICAL	ME(H4SO 2.5)
EXHAUST	EX(H4SO 2.5)
COOLING	CO(H4SO 2.5)

ENGINE SECTION 1

LUBRICATION

LU(H4SO 2.5)

SPEED CONTROL SYSTEMS

SP(H4SO 2.5)

IGNITION

IG(H4SO 2.5)

STARTING/CHARGING SYSTEMS

SC(H4SO 2.5)

ENGINE (DIAGNOSTICS)

EN(H4SO 2.5)
(diag)

LUBRICATION

LU(H4SO 2.0)

	Page
1. General Description	2
2. Oil Pressure System	6
3. Engine Oil.....	8
4. Oil Pump	10
5. Oil Pan and Strainer	14
6. Oil Pressure Switch.....	17
7. Engine Oil Filter.....	18
8. General Diagnostic Table.....	19

General Description

LUBRICATION

1. General Description

A: SPECIFICATION

Lubrication method			Forced lubrication	
OIL PUMP	Pump type		Trochoid type	
	Number of teeth	Inner rotor	9	
		Outer rotor	10	
	Outer rotor diameter × thickness		mm (in) 78 × 7 (3.07 × 0.28)	
	Tip clearance between inner and outer rotors		Standard value mm (in) 0.04 — 0.14 (0.0016 — 0.0055)	
	Side clearance between inner rotor and pump case		Standard value mm (in) 0.02 — 0.07 (0.0008 — 0.0028)	
	Case clearance between outer rotor and pump case		Standard value mm (in) 0.10 — 0.175 (0.0039 — 0.0069)	
	Performance at 80°C (176°F)	600 rpm	Discharge pressure kPa (kg/cm ² , psi)	98 (1.0, 14)
			Discharge rate ℓ (US qt, Imp qt)/min.	3.2 (3.4, 2.8)
		5,000 rpm	Discharge pressure kPa (kg/cm ² , psi)	294 (3.0, 43)
Discharge rate ℓ (US qt, Imp qt)/min.			32.6 (34.4, 28.7)	
Relief valve working pressure		kPa (kg/cm ² , psi) 490 (5.0, 71)		
Oil filter	Filter type		Full-flow filter type	
	Filtration area cm ² (sq in)	Outer diameter 68 mm	800 (124)	
		Outer diameter 65 mm	470 (73)	
	By-pass valve opening pressure		kPa (kg/cm ² , psi) 157 (1.60, 22.8)	
	Outer diameter × width mm (in)	Outer diameter 68 mm	68 × 65 (2.68 × 2.56)	
		Outer diameter 65 mm	65 × 74.4 (2.56 × 2.93)	
Installation screw specifications		M 20 × 1.5		
Oil pressure switch	Type		Immersed contact point type	
	Working voltage — wattage		12 V — 3.4 W or less	
	Warning light activation pressure		kPa (kg/cm ² , psi) 14.7 (0.15, 2.1)	
	Proof pressure		kPa (kg/cm ² , psi) 981 (10, 142) or more	
Oil capacity (at replacement)		ℓ (US qt, Imp qt) 4.0 (4.2, 3.5)		

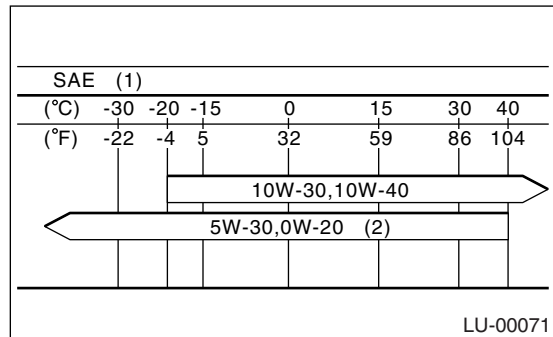
Recommended oil:

API classification SL, SJ with the “Energy Conserving” logo is printed, or SH (if you cannot obtain the oil with SL, SJ or SH grades, you may use SG, SF grades “ENERGY CONSERVING” oil.)

ACEA specification, A1, A2 or A3

CCMC specification, G4 or G5

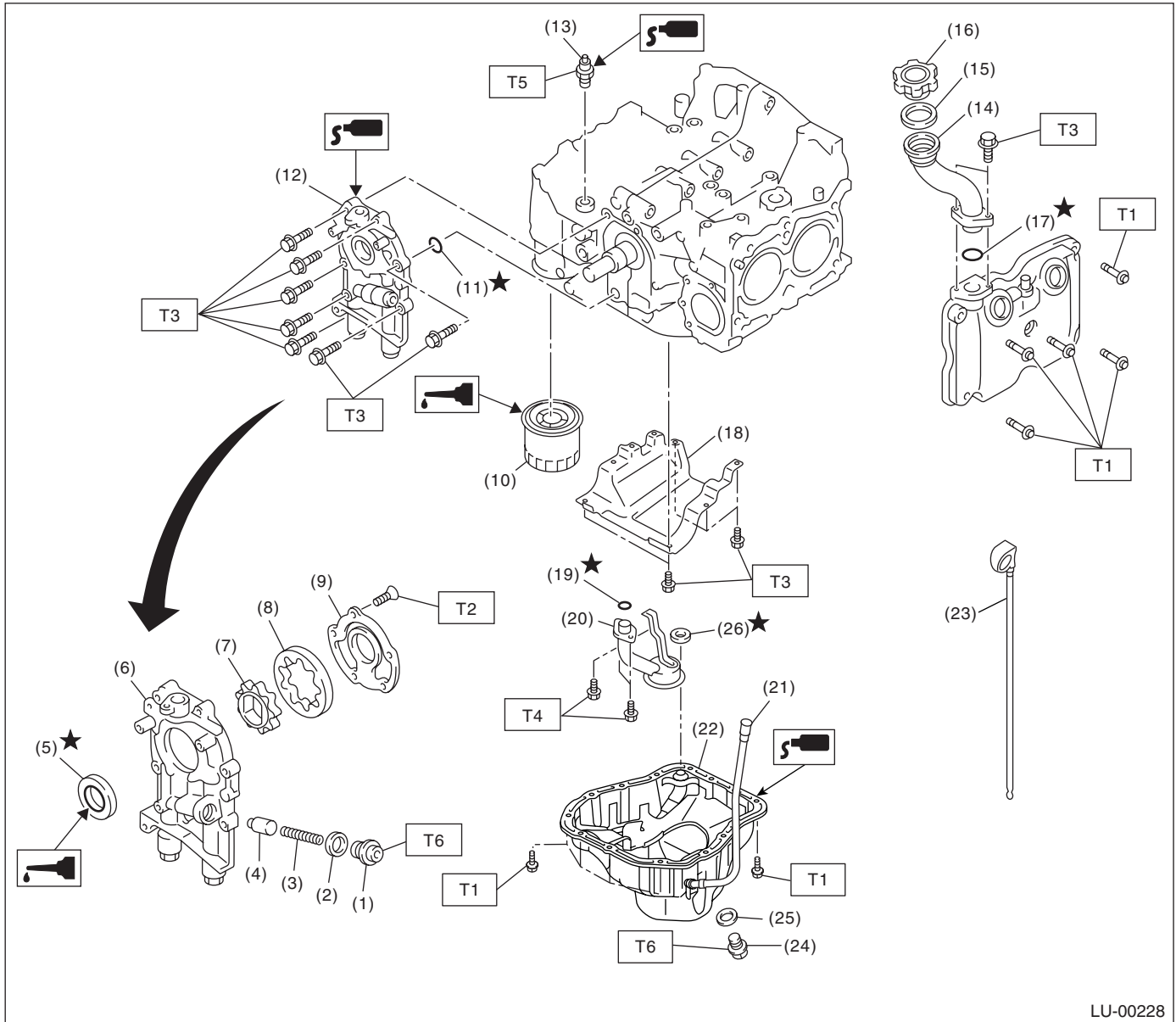
New API certification mark (Star burst mark) label is on the container.



- (1) SAE viscosity No. and applicable temperature
 (2) Recommend

CAUTION:
When replacing oil, use only SUBARU genuine engine oil.

B: COMPONENT



LU-00228

- | | | |
|-------------------------|----------------------------|-------------------|
| (1) Plug | (13) Oil pressure switch | (24) Drain plug |
| (2) Gasket | (14) Oil filler duct | (25) Metal gasket |
| (3) Relief valve spring | (15) O-ring | (26) Gasket |
| (4) Relief valve | (16) Oil filler cap | |
| (5) Oil seal | (17) O-ring | |
| (6) Oil pump case | (18) Baffle plate | |
| (7) Inner rotor | (19) O-ring | |
| (8) Outer rotor | (20) Oil strainer | |
| (9) Oil pump cover | (21) Oil level gauge guide | |
| (10) Oil filter | (22) Oil pan | |
| (11) O-ring | (23) Oil level gauge | |
| (12) Oil pump ASSY | | |

Tightening torque: N·m (kgf·m, ft·lb)

- T1: 5 (0.5, 3.6)**
T2: 5.4 (0.55, 4.0)
T3: 6.4 (0.65, 4.7)
T4: 10 (1.0, 7.2)
T5: 25 (2.5, 18.1)
T6: 44 (4.5, 32.5)

General Description

LUBRICATION

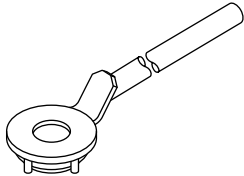
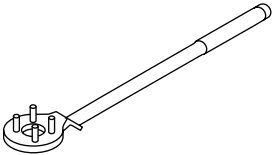
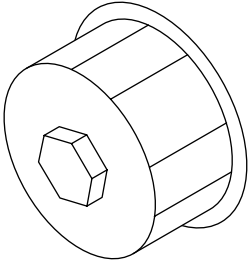
C: CAUTION

- Wear work clothing, including a cap, protective goggles and protective shoes during operation.
- Remove contamination including dirt and corrosion before removal, installation or disassembly.
- Keep the disassembled parts in order and protect them from dust and dirt.
- Before removal, installation or disassembly, be sure to clarify the failure. Avoid unnecessary removal, installation, disassembly and replacement.

- Be careful not to burn yourself, because each part on the vehicle is hot after running.
- Be sure to tighten fasteners including bolts and nuts to the specified torque.
- Place shop jacks or rigid racks at the specified points.
- Before disconnecting electrical connectors of sensors or units, be sure to disconnect the ground cable from battery.

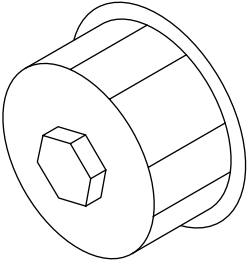
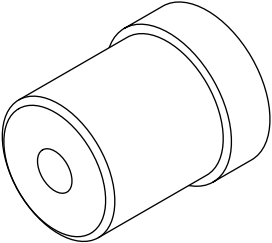
D: PREPARATION TOOL

1. SPECIAL TOOL

ILLUSTRATION	TOOL NUMBER	DESCRIPTION	REMARKS
 <p style="text-align: center;">ST-499977400</p>	499977400	CRANK PULLEY WRENCH	Used for stopping rotation of crank pulley when removing and tightening crank pulley bolt. (2.0 L model)
 <p style="text-align: center;">ST-499977100</p>	499977100	CRANK PULLEY WRENCH	Used for stopping rotation of crank pulley when removing and tightening crank pulley bolt. (2.5 L model)
 <p style="text-align: center;">ST18332AA000</p>	18332AA000	OIL FILTER WRENCH	Used for removing and installing oil filter. (Outer diameter: 68 mm (2.68 in))

General Description

LUBRICATION

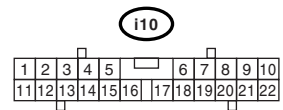
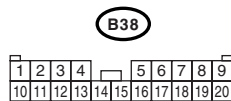
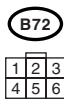
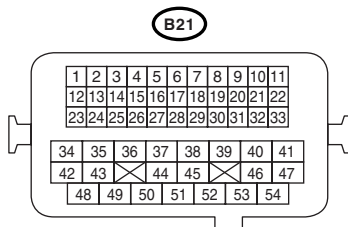
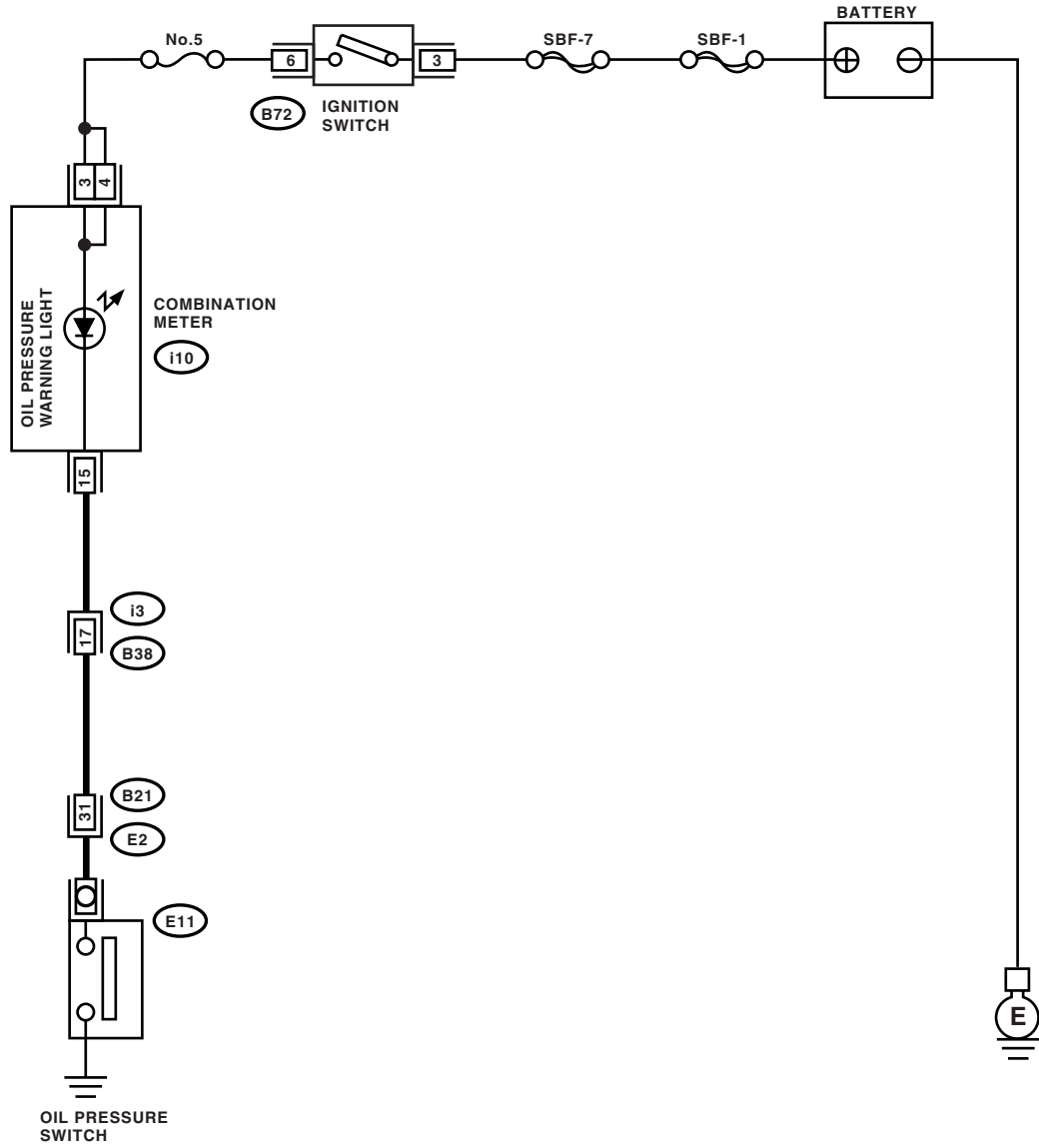
ILLUSTRATION	TOOL NUMBER	DESCRIPTION	REMARKS
 <p>ST18332AA010</p>	18332AA010	OIL FILTER WRENCH	Used for removing and installing oil filter. (Outer diameter: 65 mm (2.56 in))
 <p>ST-499587100</p>	499587100	OIL SEAL INSTALLER	Used for installing oil seal into oil pump.

Oil Pressure System

LUBRICATION

2. Oil Pressure System

A: WIRING DIAGRAM



LU-00229

B: INSPECTION

Step	Check	Yes	No
1 CHECK COMBINATION METER. 1) Turn the ignition switch to ON (engine OFF). 2) Check the warning light of combination meter.	Does the warning light illuminate?	Go to step 2.	Repair or replace the combination meter. <Ref. to IDI-3, INSPECTION, Combination Meter System.>
2 CHECK HARNESS CONNECTOR BETWEEN COMBINATION METER AND OIL PRESSURE SWITCH. 1) Turn the ignition switch to OFF. 2) Disconnect the connector from oil pressure switch. 3) Turn the ignition switch to ON. 4) Measure the voltage of harness between oil pressure switch connector and chassis ground. Connector & terminal (E11) No. 1 (+) — Chassis ground (-):	Is the voltage more than 10 V?	Replace the oil pressure switch.	Go to step 3.
3 CHECK COMBINATION METER. 1) Turn the ignition switch to OFF. 2) Remove the combination meter. 3) Measure the resistance of the combination meter. Connector & terminal (i10) No. 3 — (i10) No. 15: (i10) No. 4 — (i10) No. 15:	Is the resistance less than 10 Ω ?	Replace the harness connector between combination meter and oil pressure switch.	Repair or replace the combination meter. <Ref. to IDI-3, INSPECTION, Combination Meter System.>

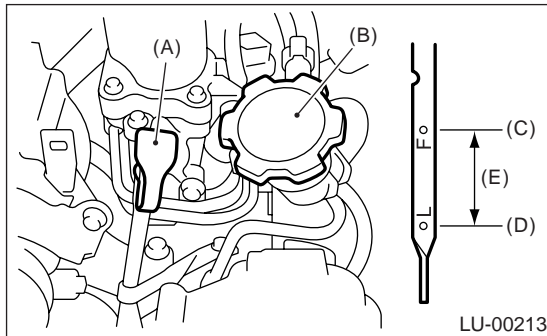
3. Engine Oil

A: INSPECTION

- 1) Park the vehicle on a level surface.
- 2) Remove the oil level gauge and wipe it clean.
- 3) Reinsert the level gauge all the way. Be sure that the level gauge is correctly inserted and properly orientated.
- 4) Remove it again and check the engine oil level. If the engine oil level is below "L" line, add oil to bring the level up to "F" line.
- 5) After turning off the engine, wait a few minutes for the oil to return to the oil pan before checking the level.
- 6) Just after driving or while the engine is warm, engine oil level show in the range between "F" line and the notch mark. This is caused by thermal expansion of the engine oil.

NOTE:

To prevent overfilling the engine oil, do not add oil above "F" line when the engine is cold.



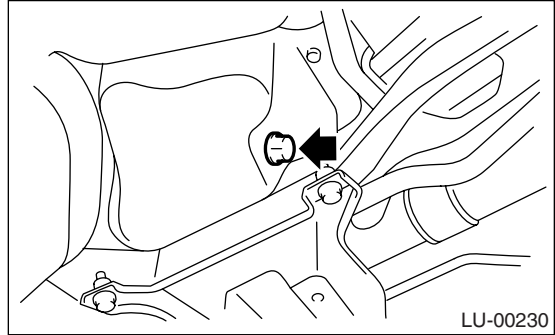
- (A) Oil level gauge
- (B) Engine oil filler cap
- (C) Upper level
- (D) Lower level
- (E) Approx. 1.0 ℓ (1.1 US qt, 0.9 Imp qt)

B: REPLACEMENT

- 1) Open the engine oil filler cap for quick draining of the engine oil.
- 2) Lift-up the vehicle.
- 3) Drain engine oil by loosening the engine oil drain plug.

NOTE:

Prepare a container for draining of engine oil.



- 4) Tighten the engine oil drain plug after draining the engine oil.

NOTE:

Use a new drain plug gasket.

Tightening torque:

44 N·m (4.5 kgf-m, 32.5 ft-lb)

- 5) Use the engine oil of proper quality and viscosity, fill engine oil through the oil filler duct to upper level on level gauge. Make sure that the vehicle is parked on a level surface when checking oil level.

Recommended oil:

Refer to "SPECIFICATION" for the recommended oil. <Ref. to LU(H4SO 2.0)-2, SPECIFICATION, General Description.>

Engine oil capacity:

Upper level

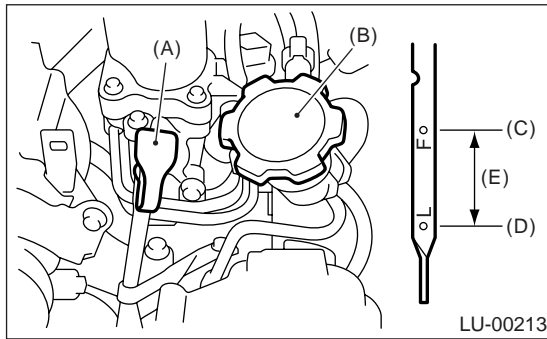
4.0 ℓ (4.2 US qt, 3.5 Imp qt)

Lower level

3.0 ℓ (3.2 US qt, 2.6 Imp qt)

- 6) Close the engine oil filler cap.
- 7) Start the engine and warm it up for a time.

8) After the engine stops, recheck the oil level. If necessary, add engine oil up to the upper level on level gauge.

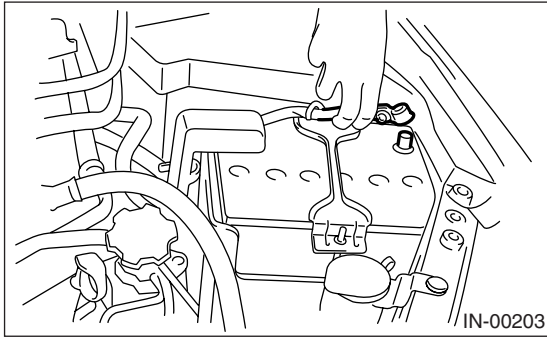


- (A) Oil level gauge
- (B) Engine oil filler cap
- (C) Upper level
- (D) Lower level
- (E) Approx. 1.0 ℓ (1.1 US qt, 0.9 Imp qt)

4. Oil Pump

A: REMOVAL

1) Disconnect the ground cable from battery.



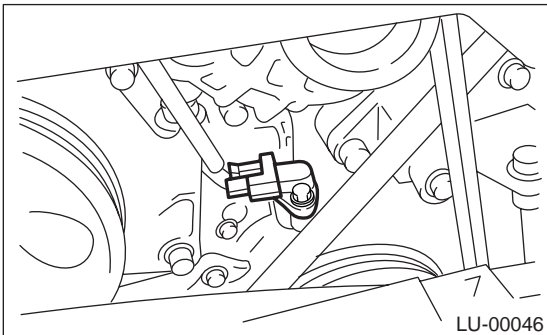
2) Lift-up the vehicle.

3) Remove the under cover.

4) Lower the vehicle.

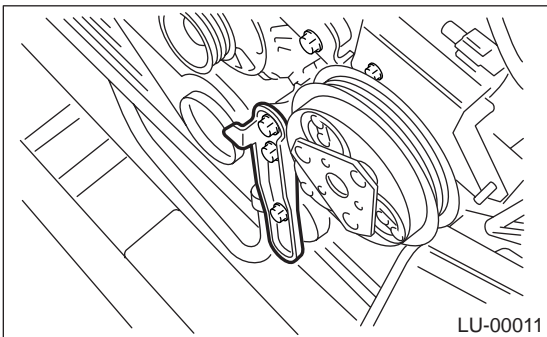
5) Remove the radiator. <Ref. to CO(H4SO 2.0)-20, REMOVAL, Radiator.>

6) Remove the crankshaft position sensor.



7) Remove the V-belts. <Ref. to ME(H4SO 2.0)-38, REMOVAL, V-belt.>

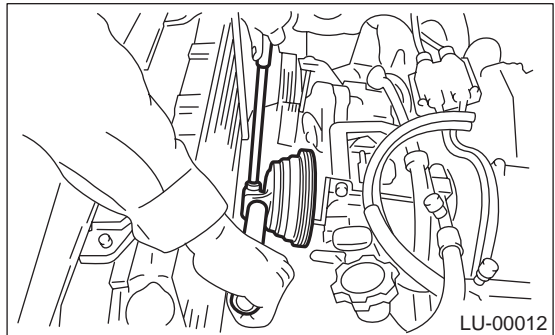
8) Remove the belt tensioner.



9) Remove the crank pulley using ST.

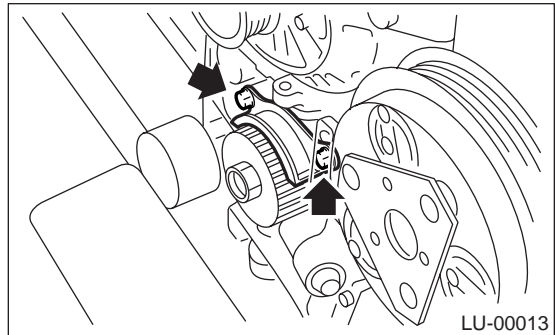
ST 499977400 CRANK PULLEY WRENCH
(2.0 L model)

ST 499977100 CRANK PULLEY WRENCH
(2.5 L model)

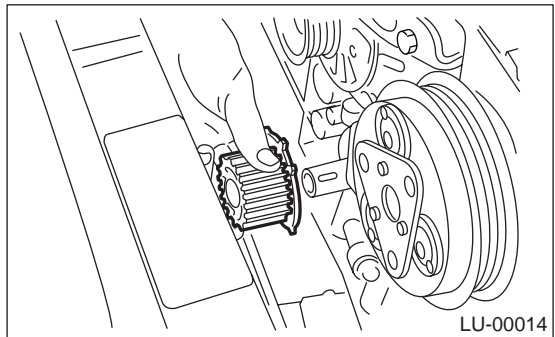


10) Remove the water pump. <Ref. to CO(H4SO 2.0)-15, REMOVAL, Water Pump.>

11) Remove the timing belt guide. (MT model)



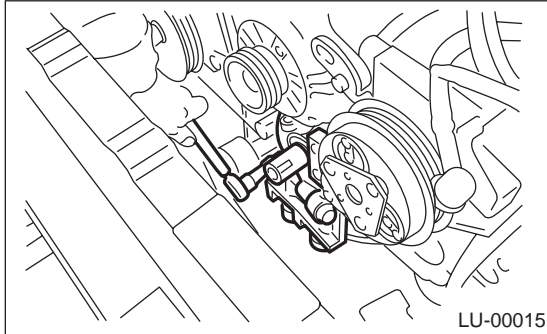
12) Remove the crank sprocket.



13) Remove the bolts which install oil pump onto cylinder block.

NOTE:

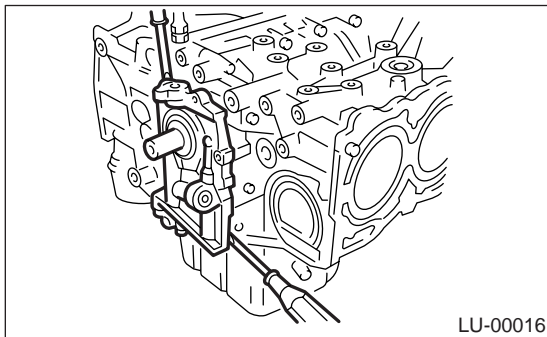
When disassembling and checking the oil pump, loosen the relief valve plug before removing the oil pump.



14) Remove the oil pump by using flat tip screw-driver.

CAUTION:

Be careful not to scratch mating surfaces of cylinder block and oil pump.



B: INSTALLATION

Install in the reverse order of removal.

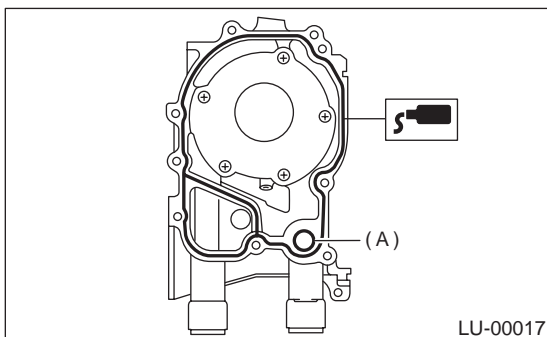
Perform the following.

1) Apply liquid gasket to the matching surfaces of oil pump.

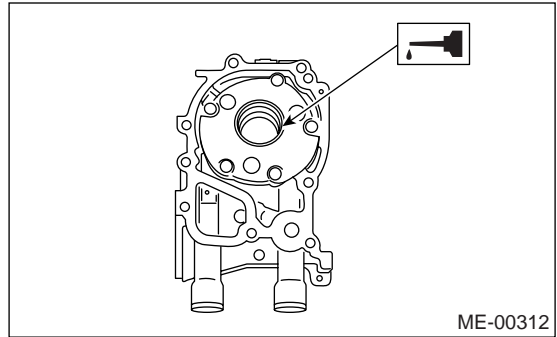
Liquid gasket:

THREE BOND 1215 (Part No. 004403007) or equivalent

2) Replace the O-ring (A) with a new one.



3) Apply a coat of engine oil to the inside of oil seal.



4) Position the oil pump, aligning the notched area with the crankshaft, and push the oil pump straight.

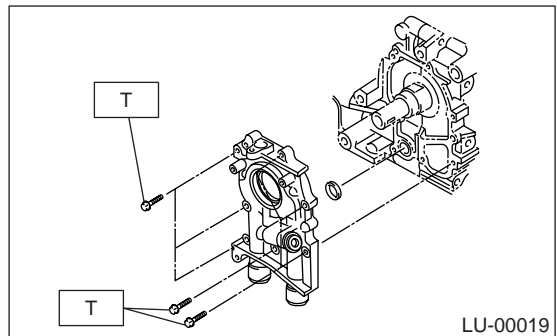
CAUTION:

- Make sure the oil seal lip is not folded.
- Be careful not to scratch oil seal when installing oil pump on cylinder block.

5) Install the oil pump.

Tightening torque:

6.4 N·m (0.65 kgf-m, 4.7 ft-lb)



Oil Pump

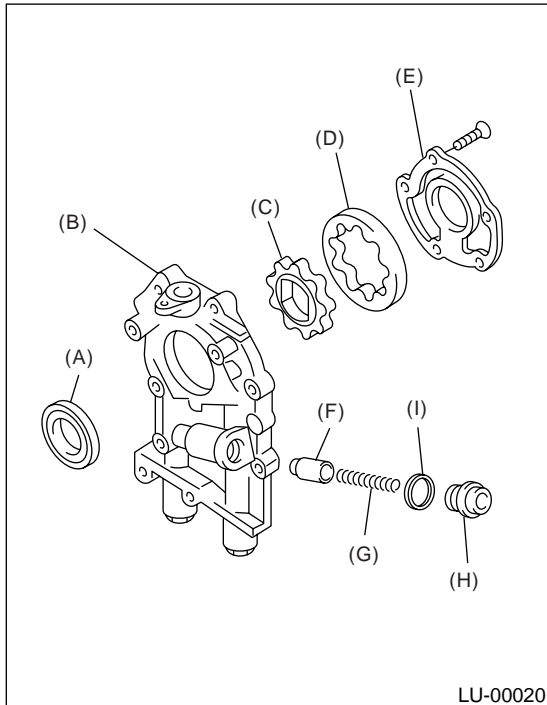
LUBRICATION

C: DISASSEMBLY

Remove the screws which secure oil pump cover and then disassemble oil pump. Inscribe alignment marks on the inner and outer rotors so that they can be replaced in their original positions during reassembly.

CAUTION:

Before disassembling the oil pump, remove the relief valve.



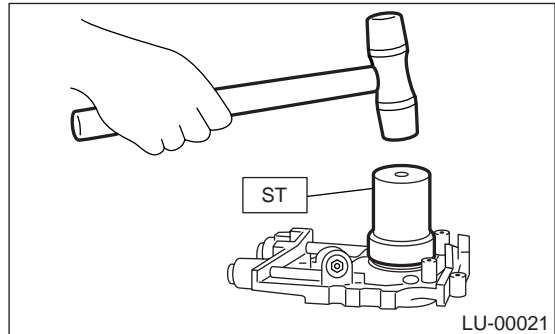
- (A) Oil seal
- (B) Oil pump case
- (C) Inner rotor
- (D) Outer rotor
- (E) Oil pump cover
- (F) Relief valve
- (G) Relief valve spring
- (H) Plug
- (I) Gasket

D: ASSEMBLY

- 1) Install the front oil seal using ST.
ST 499587100 OIL SEAL INSTALLER

NOTE:

Use a new oil seal.



- 2) Apply a coat of engine oil to the inner and outer rotors.
- 3) Install the inner and outer rotors in their original positions.
- 4) Install the oil relief valve and relief valve spring and plug.

NOTE:

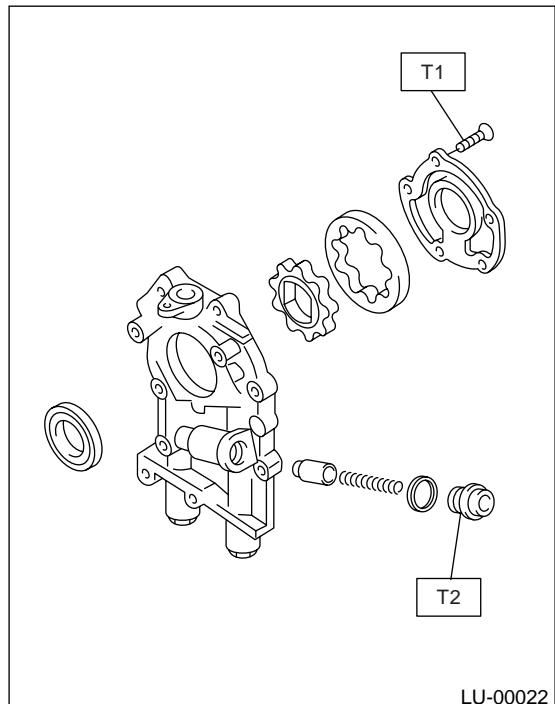
Use a new gasket.

- 5) Install the oil pump cover.

Tightening torque:

T1: 5.4 N·m (0.55 kgf-m, 4.0 ft-lb)

T2: 44 N·m (4.5 kgf-m, 32.5 ft-lb)



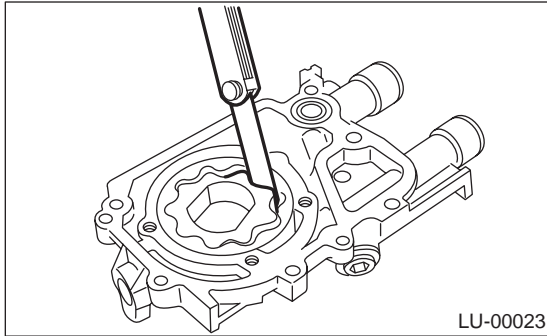
E: INSPECTION**1. TIP CLEARANCE**

Measure the tip clearance of rotors. If the clearance is out of the standard value, replace the rotors as a matched set.

Tip clearance:

Standard value

0.04 — 0.14 mm (0.0016 — 0.0055 in)

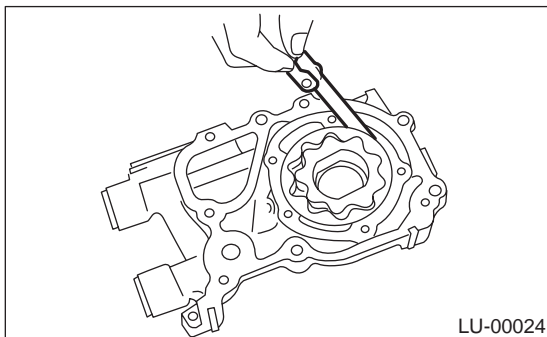
**2. CASE CLEARANCE**

Measure the clearance between the outer rotor and oil pump rotor housing. If the clearance is out of the standard value, replace the oil pump case.

Case clearance:

Standard value

0.10 — 0.175 mm (0.0039 — 0.0069 in)

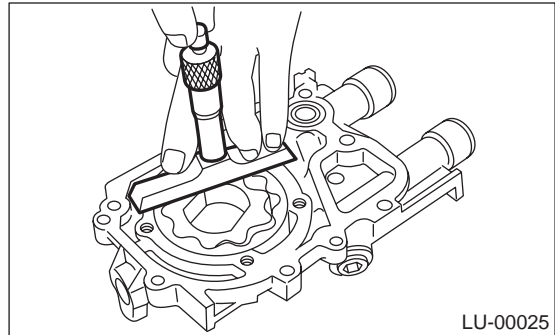
**3. SIDE CLEARANCE**

Measure the clearance between oil pump inner rotor and pump cover. If the clearance is out of the standard value, replace the rotor or oil pump case.

Side clearance:

Standard value

0.02 — 0.07 mm (0.0008 — 0.0028 in)

**4. OIL RELIEF VALVE**

Check the valve for fitting condition and damage, and the relief valve spring for damage and deterioration. Replace the parts if defective.

Relief valve spring:

Free length

72.8 mm (2.866 in)

Installed length

54.7 mm (2.154 in)

Load when installed

81.3 N (8.29 kgf, 18.24 lb)

5. OIL PUMP CASE

Check the worn shaft hole, clogged oil passage, worn rotor chamber, cracks and other faults.

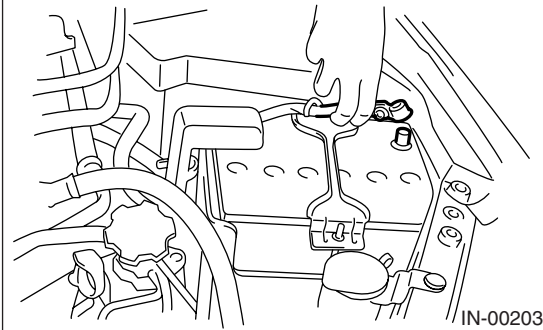
6. OIL SEAL

Check the oil seal lips for deformation, hardening, wear, etc, and replace if defective.

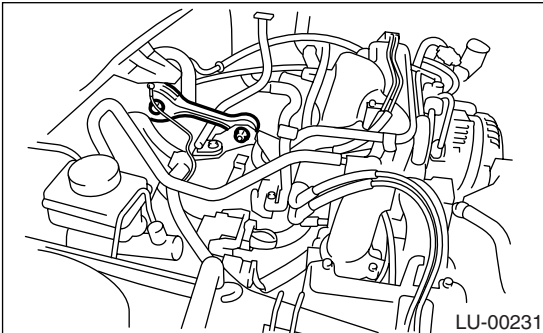
5. Oil Pan and Strainer

A: REMOVAL

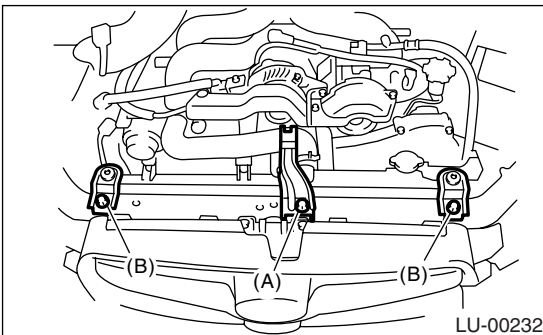
- 1) Set the vehicle on a lift.
- 2) Remove the front wheels.
- 3) Disconnect the ground cable from battery.



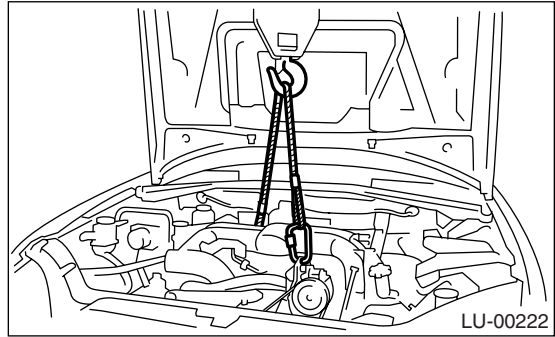
- 4) Remove the air intake duct and air cleaner case. <Ref. to IN(H4SO 2.0)-9, REMOVAL, Air Intake Duct.> <Ref. to IN(H4SO 2.0)-6, REMOVAL, Air Cleaner Case.>
- 5) Remove the air intake chamber. <Ref. to IN(H4SO 2.0)-8, REMOVAL, Air Intake Chamber.>
- 6) Remove the pitching stopper.



- 7) Remove the hood stay holder (A) and radiator upper brackets (B).



- 8) Support the engine with a lifting device and wire ropes.

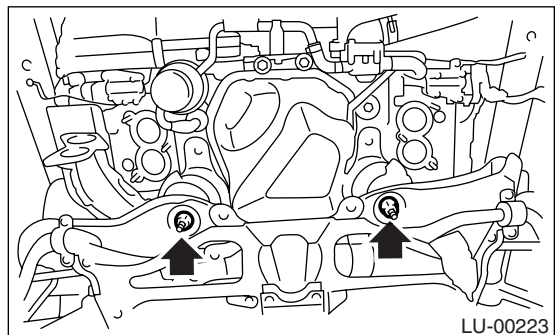


- 9) Lift-up the vehicle.

CAUTION:

When lifting up the vehicle, raise up wire ropes at the same time.

- 10) Remove the under cover.
- 11) Drain engine oil. <Ref. to LU(H4SO 2.0)-8, REPLACEMENT, Engine Oil.>
- 12) Remove the front and center exhaust pipe. <Ref. to EX(H4SO 2.0)-7, REMOVAL, Front Exhaust Pipe.> <Ref. to EX(H4SO 2.0)-10, REMOVAL, Center Exhaust Pipe.>
- 13) Remove the nuts which install front cushion rubber onto front crossmember.



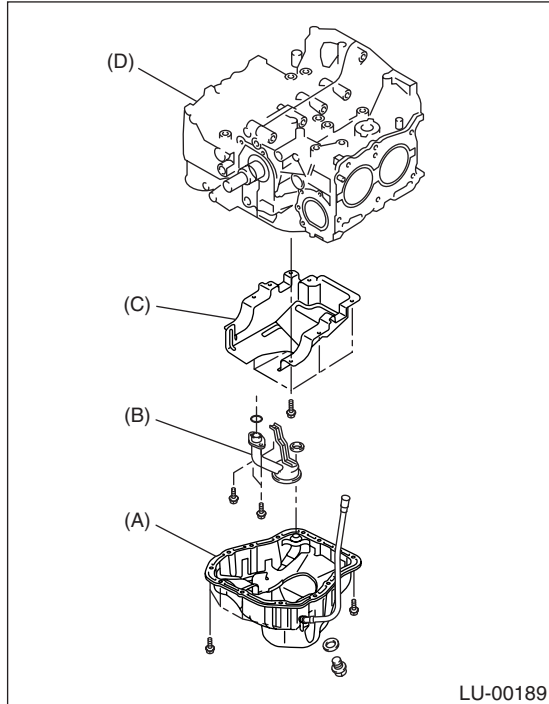
- 14) Remove the bolts which install oil pan on cylinder block with engine raised up.
- 15) Insert the oil pan cutter blade into the clearance between cylinder block and oil pan.

CAUTION:

Do not use a screwdriver or similar tool in place of oil pan cutter.

- 16) Remove the oil strainer.

17) Remove the baffle plate.



- (A) Oil pan
- (B) Oil strainer
- (C) Baffle plate
- (D) Cylinder block

B: INSTALLATION

CAUTION:

Before installing the oil pan, clean the mating surface of oil pan and cylinder block.

1) Install the baffle plate.

Tightening torque:

6.4 N·m (0.65 kgf-m, 4.7 ft-lb)

2) Install the oil strainer onto baffle plate.

NOTE:

Replace O-ring with new one.

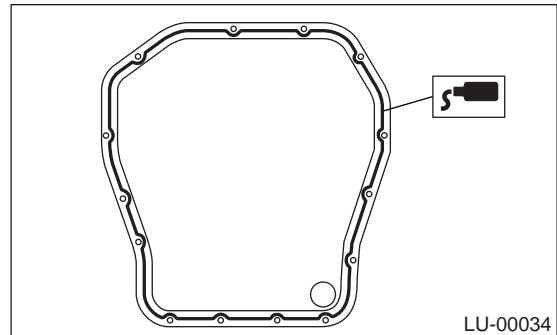
Tightening torque:

10 N·m (1.0 kgf-m, 7.2 ft-lb)

3) Apply liquid gasket to the mating surfaces and install the oil pan.

Liquid gasket:

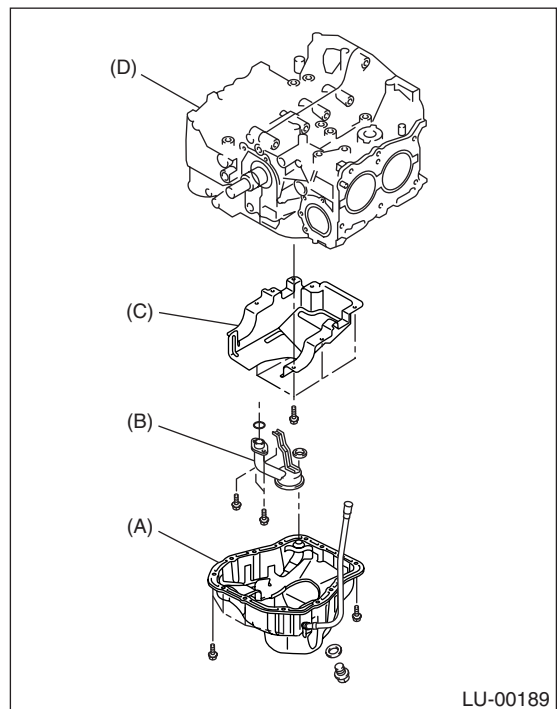
THREE BOND 1207C (Part No. 004403012) or equivalent



4) Tighten the bolts which install oil pan onto cylinder block.

Tightening torque:

5 N·m (0.5 kgf-m, 3.6 ft-lb)



- (A) Oil pan
- (B) Oil strainer
- (C) Baffle plate
- (D) Cylinder block

5) Lower the engine onto front crossmember.

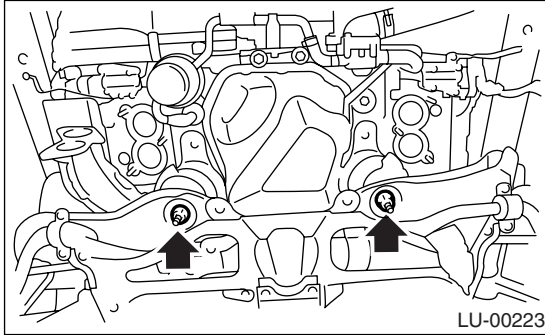
Oil Pan and Strainer

LUBRICATION

6) Tighten the nuts which install front cushion rubber onto front crossmember.

Tightening torque:

69 N·m (7.0 kgf-m, 50.9 ft-lb)



7) Install the front and center exhaust pipe.
<Ref. to EX(H4SO 2.0)-8, INSTALLATION, Front Exhaust Pipe.> <Ref. to EX(H4SO 2.0)-10, INSTALLATION, Center Exhaust Pipe.>

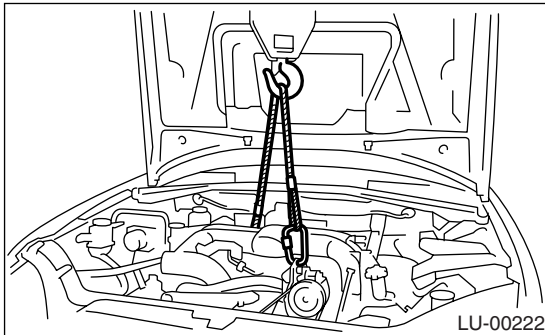
8) Install the under cover.

9) Lower the vehicle.

CAUTION:

When lowering the vehicle, lower the lift-up device and wire ropes at the same time.

10) Remove the lifting device and wire ropes.

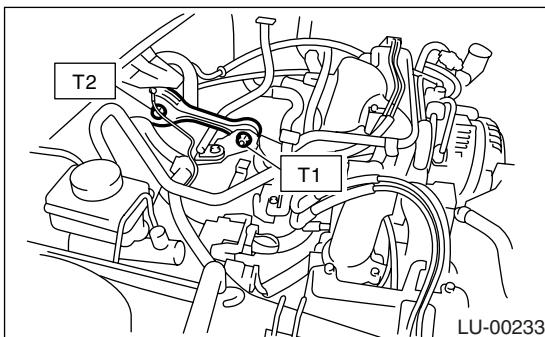


11) Install the pitching stopper.

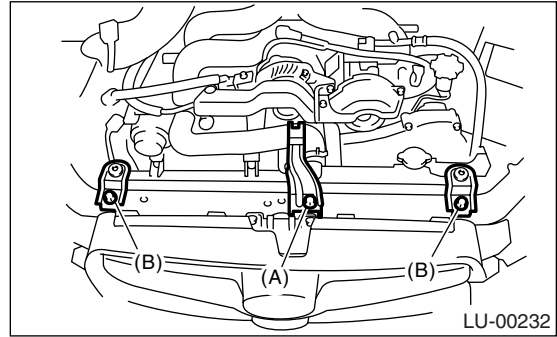
Tightening torque:

T1: 50 N·m (5.1 kgf-m, 36.9 ft-lb)

T2: 58 N·m (5.9 kgf-m, 42.8 ft-lb)



12) Install the hood stay holder (A) and radiator upper brackets (B).



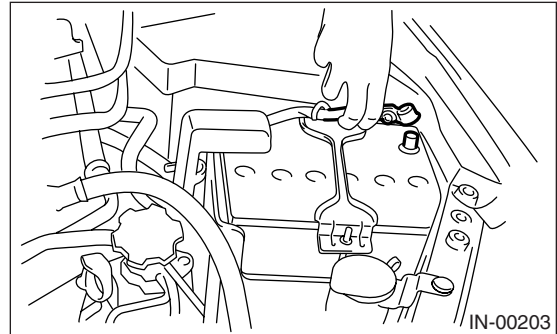
13) Install the air intake chamber.

<Ref. to IN(H4SO 2.0)-8, INSTALLATION, Air Intake Chamber.>

14) Install the air intake duct and air cleaner case.
<Ref. to IN(H4SO 2.0)-9, INSTALLATION, Air Intake Duct.> <Ref. to IN(H4SO 2.0)-7, INSTALLATION, Air Cleaner Case.>

15) Install the front wheels.

16) Connect the battery ground cable to battery.



17) Fill engine oil. <Ref. to LU(H4SO 2.0)-8, INSPECTION, Engine Oil.>

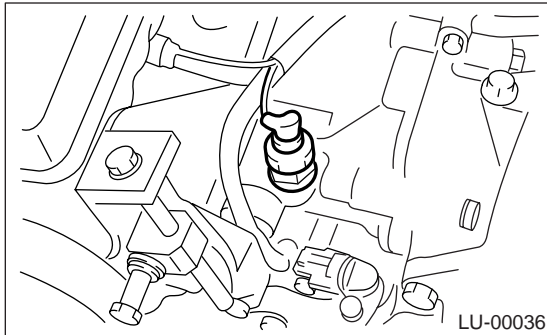
C: INSPECTION

Visually check that the oil pan, oil strainer, oil strainer stay and baffle plate are not damaged.

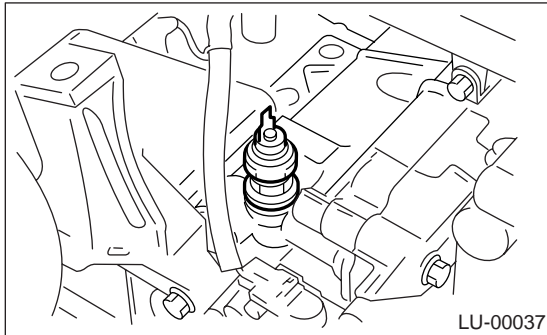
6. Oil Pressure Switch

A: REMOVAL

- 1) Remove the generator from bracket.
<Ref. to SC(H4SO 2.0)-14, REMOVAL, Generator.>
- 2) Disconnect the terminal from oil pressure switch.



- 3) Remove the oil pressure switch.

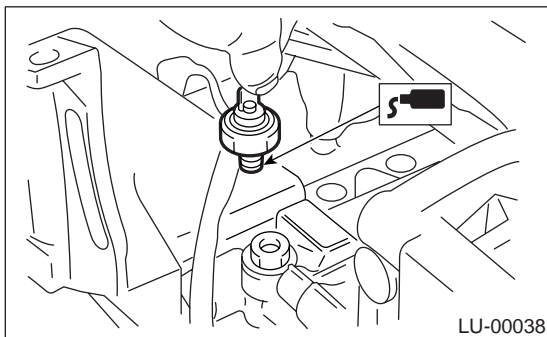


B: INSTALLATION

- 1) Apply liquid gasket to the oil pressure switch threads.

Liquid gasket:

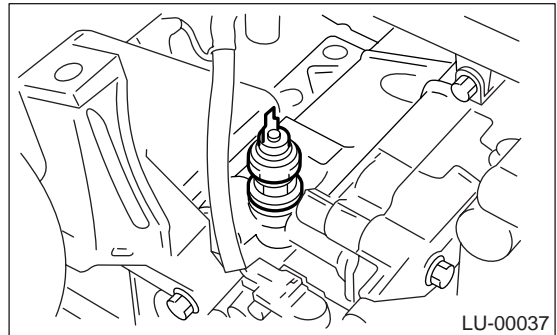
THREE BOND 1324 (Part No. 004403042) or equivalent



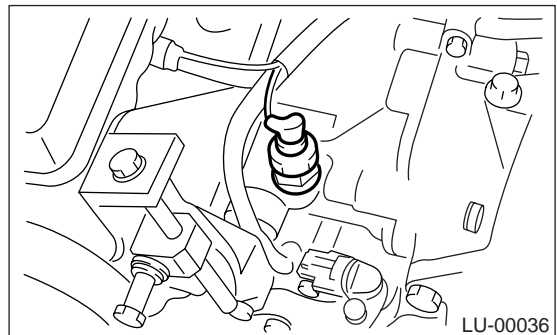
- 2) Install the oil pressure switch onto engine block.

Tightening torque:

25 N·m (2.5 kgf·m, 18.1 ft·lb)



- 3) Connect the terminal to oil pressure switch.



- 4) Install the generator to bracket.
<Ref. to SC(H4SO 2.0)-14, INSTALLATION, Generator.>

C: INSPECTION

Check the oil pressure switch installation portion for oil leakage and oil seepage.

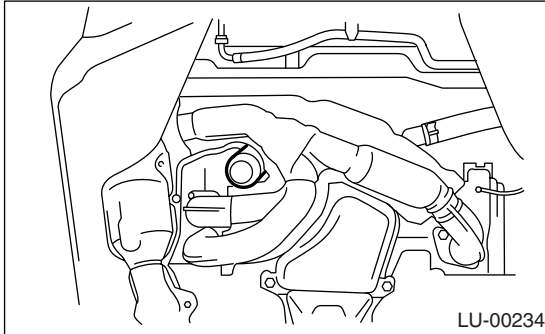
7. Engine Oil Filter

A: REMOVAL

- 1) Lift-up the vehicle.
- 2) Remove the oil filter using ST.

ST 18332AA000 OIL FILTER WRENCH (Outer diameter: 68 mm (2.68 in))

ST 18332AA010 OIL FILTER WRENCH (Outer diameter: 65 mm (2.56 in))



B: INSTALLATION

- 1) Clean the oil filter installing surface on cylinder block.
- 2) Obtain a new oil filter and apply a thin coat of engine oil to the seal rubber.
- 3) Install the oil filter turning it by hand, being careful not to damage the seal rubber.
- 4) Tighten more after the seal rubber contacts the cylinder block.

NOTE:

- In case of oil filter in outer diameter 68 mm (2.68 in), tighten by approx. one turn.
- In case of oil filter in outer diameter 65 mm (2.56 in), tighten by approx. 2/3 to 3/4 turn.
- Over-tightening may cause oil leak.

C: INSPECTION

- 1) After installing the oil filter, run engine and make sure that no oil is leaking around the seal rubber.

NOTE:

The filter element and filter case are permanently jointed; therefore, interior cleaning is not necessary.

- 2) Check the engine oil level. <Ref. to LU(H4SO 2.0)-8, INSPECTION, Engine Oil.>

8. General Diagnostic Table

A: INSPECTION

Before performing diagnosis, make sure that the engine oil level is correct and no oil leakage exists.

Symptom	Possible cause		Corrective action
1. Warning light remains on.	1) Oil pressure switch failure	Cracked diaphragm or oil leakage within switch	Replace.
		Broken spring or seized contacts	Replace.
	2) Low oil pressure	Clogging of oil filter	Replace.
		Malfunction of oil by-pass valve in oil filter	Clean or replace.
		Malfunction of oil relief valve in oil pump	Clean or replace.
		Clogged oil passage	Clean.
		Excessive tip clearance and side clearance of oil pump rotor and gear	Replace.
		Clogged oil strainer or broken pipe	Clean or replace.
	3) No oil pressure	Insufficient engine oil	Replenish.
		Broken pipe of oil strainer	Replace.
Stuck oil pump rotor		Replace.	
2. Warning light does not come on.	1) Malfunction of combination meter		Replace.
	2) Poor contact of switch contact points		Replace.
	3) Disconnection of wiring		Repair.
3. Warning light flickers momentarily.	1) Poor contact at terminals		Repair.
	2) Defective wiring harness		Repair.
	3) Low oil pressure		Check for the same possible causes as listed in 1) — 2).

General Diagnostic Table

LUBRICATION
