

**BODY SECTION**

This service manual has been prepared to provide SUBARU service personnel with the necessary information and data for the correct maintenance and repair of SUBARU vehicles.

This manual includes the procedures for maintenance, disassembling, reassembling, inspection and adjustment of components and diagnostics for guidance of experienced mechanics.

Please peruse and utilize this manual fully to ensure complete repair work for satisfying our customers by keeping their vehicle in optimum condition. When replacement of parts during repair work is needed, be sure to use SUBARU genuine parts.

All information, illustration and specifications contained in this manual are based on the latest product information available at the time of publication approval.

<b>HVAC SYSTEM (HEATER, VENTILATOR AND A/C)</b>	<b>AC</b>
<b>HVAC SYSTEM (AUTO A/C) (DIAGNOSTICS)</b>	<b>AC(diag)</b>
<b>AIRBAG SYSTEM</b>	<b>AB</b>
<b>AIRBAG SYSTEM (DIAGNOSTICS)</b>	<b>AB(diag)</b>
<b>SEAT BELT SYSTEM</b>	<b>SB</b>
<b>LIGHTING SYSTEM</b>	<b>LI</b>
<b>WIPER AND WASHER SYSTEMS</b>	<b>WW</b>
<b>ENTERTAINMENT</b>	<b>ET</b>
<b>COMMUNICATION SYSTEM</b>	<b>COM</b>
<b>GLASS/WINDOWS/MIRRORS</b>	<b>GW</b>
<b>BODY STRUCTURE</b>	<b>BS</b>
<b>INSTRUMENTATION/DRIVER INFO</b>	<b>IDI</b>
<b>SEATS</b>	<b>SE</b>
<b>SECURITY AND LOCKS</b>	<b>SL</b>
<b>SUNROOF/T-TOP/CONVERTIBLE TOP (SUNROOF)</b>	<b>SR</b>
<b>EXTERIOR/INTERIOR TRIM</b>	<b>EI</b>
<b>EXTERIOR BODY PANELS</b>	<b>EB</b>

BODY SECTION

CRUISE CONTROL SYSTEM

CC

CRUISE CONTROL SYSTEM  
(DIAGNOSTICS)

CC(diag)

IMMOBILIZER (DIAGNOSTICS)

IM(diag)

LAN SYSTEM (DIAGNOSTICS)

LAN(diag)

# COMMUNICATION SYSTEM

# COM

---

	Page
1. General Description .....	2
2. Horn System .....	3
3. Horn .....	4
4. Horn Switch .....	5

## 1. General Description

### A: CAUTION

- Before disassembling or reassembling parts, always disconnect the battery ground cable from battery. When replacing audio, control module, and other parts provided with memory functions, record memory contents before disconnecting the battery ground cable. Otherwise, the memory will be erased.
- Reassemble in reverse order of disassembly, unless otherwise indicated.
- Adjust parts to the given specifications.
- Connect the connectors securely during reassembly.
- After reassembly, make sure functional parts operate smoothly.

### B: PREPARATION TOOL

#### 1. GENERAL TOOLS

TOOL NAME	REMARKS
Circuit tester	Used for measuring resistance and voltage.

## 2. Horn System

### A: WIRING DIAGRAM

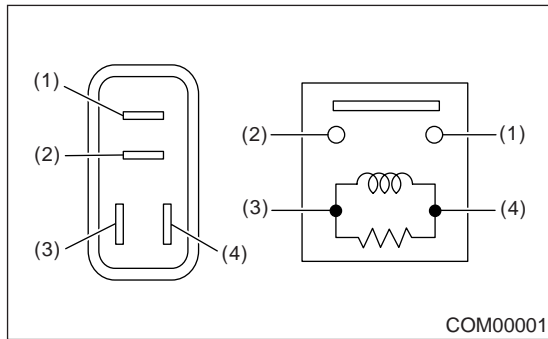
#### 1. HORN

<Ref. to WI-245, WIRING DIAGRAM, Horn System.>

### B: INSPECTION

#### 1. HORN RELAY

Measure the horn relay resistance between terminals (indicated in table below) when connecting the terminal No. 4 to battery positive terminal and terminal No. 3 to battery ground cable.

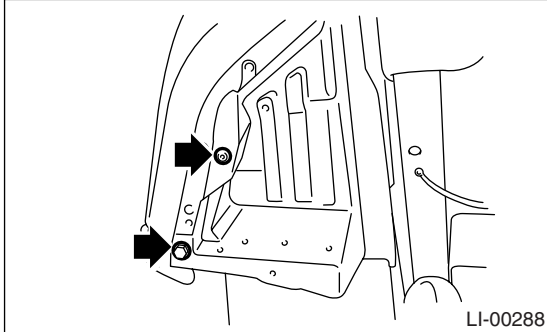


Current	Terminal No.	Standard
Flow	1 and 2	Less than 1 $\Omega$
No Flow		More than 1 M $\Omega$

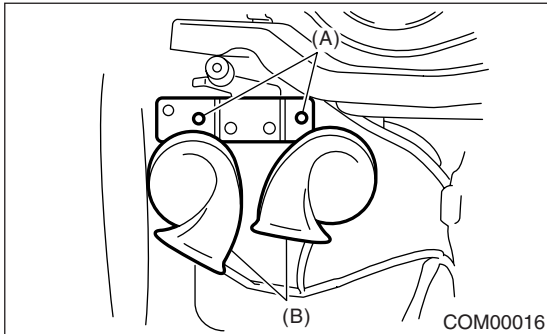
## 3. Horn

### A: REMOVAL

- 1) Disconnect the ground cable from battery.
- 2) Remove the two clips and turn up the lower mud guard RH.



- 3) Remove the horn bracket mounting bolt (A).
- 4) Disconnect the harness connector and remove the horn assembly (B).

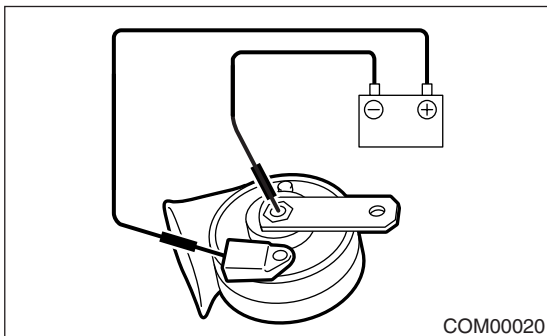


### B: INSTALLATION

Install in the reverse order of removal.

### C: INSPECTION

With 12 V direct current supplied between horn terminals, check that the horn sounds properly.



## 4. Horn Switch

### A: REMOVAL

**WARNING:**

Before servicing, be sure to read the notes in AB section for proper handling of driver's airbag module. <Ref. to AB-4, CAUTION, General Description.>

**NOTE:**

Horn switch is a unit with the driver's airbag module.

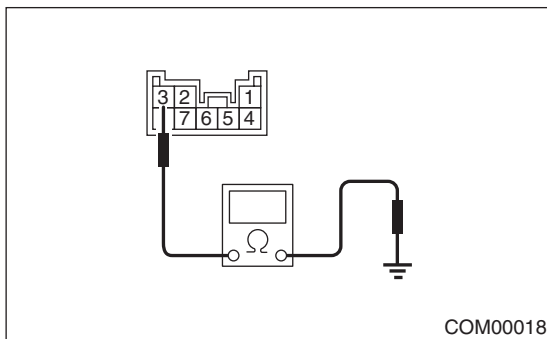
- 1) Disconnect the ground cable from battery.
- 2) Remove the driver's airbag module. <Ref. to AB-14, REMOVAL, Driver's Airbag Module.>

### B: INSTALLATION

Install in the reverse order of removal.

### C: INSPECTION

Measure the resistance between horn switch terminal and chassis ground.



Switch position	Terminal No.	Resistance
When horn switch is pushed.	3 and Chassis ground	Less than 1 Ω
When horn switch is not pushed.		More than 1 MΩ

# Horn Switch

COMMUNICATION SYSTEM

---