

BODY SECTION

This service manual has been prepared to provide SUBARU service personnel with the necessary information and data for the correct maintenance and repair of SUBARU vehicles.

This manual includes the procedures for maintenance, disassembling, reassembling, inspection and adjustment of components and diagnostics for guidance of experienced mechanics.

Please peruse and utilize this manual fully to ensure complete repair work for satisfying our customers by keeping their vehicle in optimum condition. When replacement of parts during repair work is needed, be sure to use SUBARU genuine parts.

All information, illustration and specifications contained in this manual are based on the latest product information available at the time of publication approval.

HVAC SYSTEM (HEATER, VENTILATOR AND A/C)	AC
HVAC SYSTEM (AUTO A/C) (DIAGNOSTICS)	AC(diag)
AIRBAG SYSTEM	AB
AIRBAG SYSTEM (DIAGNOSTICS)	AB(diag)
SEAT BELT SYSTEM	SB
LIGHTING SYSTEM	LI
WIPER AND WASHER SYSTEMS	WW
ENTERTAINMENT	ET
COMMUNICATION SYSTEM	COM
GLASS/WINDOWS/MIRRORS	GW
BODY STRUCTURE	BS
INSTRUMENTATION/DRIVER INFO	IDI
SEATS	SE
SECURITY AND LOCKS	SL
SUNROOF/T-TOP/CONVERTIBLE TOP (SUNROOF)	SR
EXTERIOR/INTERIOR TRIM	EI
EXTERIOR BODY PANELS	EB

BODY SECTION

CRUISE CONTROL SYSTEM CC

CRUISE CONTROL SYSTEM (DIAGNOSTICS) CC(diag)

IMMOBILIZER (DIAGNOSTICS) IM(diag)

LAN SYSTEM (DIAGNOSTICS) LAN(diag)

LIGHTING SYSTEM



	Page
1. General Description	2
2. Headlight and Tail Light System	3
3. Front Fog Light System	4
4. Rear Fog Light System	5
5. Turn Signal Light and Hazard Light System	6
6. Back-up Light System	7
7. Stop Light System	8
8. Room Light System	9
9. Combination Switch (Light)	10
10. Headlight Beam Leveler System	12
11. Combination Base Switch Assembly	13
12. Headlight Assembly	14
13. Headlight Bulb	18
14. Front Turn Signal Light Bulb	19
15. Clearance/Parking Light Bulb	20
16. Front Fog Light Assembly	21
17. Front Fog Light Bulb	22
18. Rear Fog Light	23
19. Side Turn Signal Light Assembly	24
20. Rear Combination Light Assembly	25
21. Tail/Stop Light Bulb	26
22. Rear Turn Signal Light Bulb	27
23. Back-up Light Assembly	28
24. Back-up Light Bulb	29
25. Rear Fog Light Bulb	30
26. License Plate Light Assembly	31
27. License Plate Light	32
28. High-mounted Stop Light	33
29. Spot Map Light	34
30. Room Light	35
31. Luggage Room Light	36
32. Trunk Room Light	37
33. Glove Box Light	38
34. Door Step Light	39
35. Ignition Switch Illumination	40

General Description

LIGHTING SYSTEM

1. General Description

A: SPECIFICATION

Headlight	Halogen type low beam		12 V — 55 W
	Halogen type high beam		12 V — 60 W
Front turn signal light			12 V — 21 W
Clearance/parking light			12 V — 5 W
Front fog light			12 V — 55 W
Side turn signal light			12 V — 2.7 W (LED)
Rear combination light	Sedan	Tail/stop light (Model with rear fog light)	12 V — 5/21 W
		Tail light (Model without rear fog light)	12 V — 5/21 W
		Stop light (Model without rear fog light)	12 V — 21 W
	Wagon	Tail/stop light	12 V — 5/21 W
	Turn signal light		12 V — 21 W
Back-up light	Sedan		12 V — 16 W
	Wagon		12 V — 21 W
License plate light			12 V — 5 W
Rear fog light	Sedan		12 V — 21 W
	Wagon		12 V — 2 W (LED)
High-mounted stop light	Sedan		12 V — 21 W
	Wagon		12 V — 1.3 W (LED)
Interior light			12 V — 8 W
Spot map light			12 V — 8 W
Luggage room light			12 V — 13 W
Trunk room light			12 V — 5 W
Glove box light			12 V — 1.4 W
Door step light			12 V — 3.5 W

B: CAUTION

- Before removing or installing parts, always disconnect the battery ground cable from battery. When replacing the audio, control module and other parts provided with memory functions, record the memory contents before disconnecting the battery ground cable. Otherwise, the memory will be erased.
- Reassemble the parts in the reverse order of disassembly procedure unless otherwise indicated.
- Adjust parts to the given specifications.
- Connect the connectors securely during reassembly.

C: PREPARATION TOOL

1. GENERAL TOOL

TOOL NAME	REMARKS
Circuit tester	Used for measuring resistance and voltage.

- After reassembly, make sure functional parts operate smoothly.

WARNING:

- **The air bag system wiring harness is routed near electrical parts and switches. All air bag system wiring harnesses and connectors are yellow. Do not use the electrical test equipment on these circuits.**
- **Be careful not to damage the air bag system wiring harness when servicing electrical parts and switches.**

2. Headlight and Tail Light System

A: WIRING DIAGRAM

1. HALOGEN TYPE HEADLIGHT

<Ref. to WI-269, WIRING DIAGRAM, Headlight System.>

2. CLEARANCE LIGHT AND ILLUMINATION LIGHT

<Ref. to WI-259, WIRING DIAGRAM, Clearance Light and Illumination Light System.>

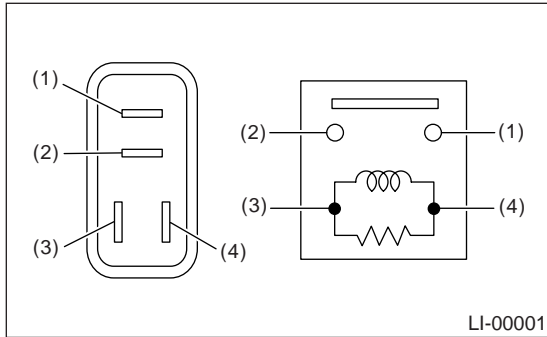
B: INSPECTION

1. HEADLIGHT SWITCH

<Ref. to LI-10, INSPECTION, Combination Switch (Light).>

2. HEADLIGHT RELAY

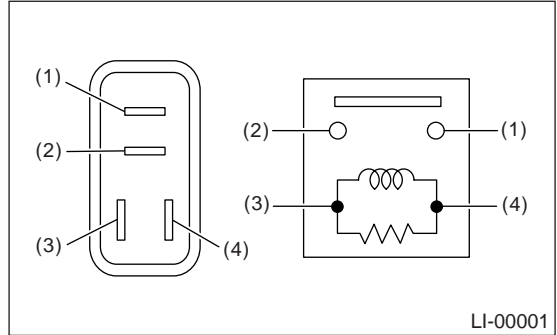
Measure the resistance between headlight relay terminals when connecting terminal No. 4 to battery positive terminal and terminal No. 3 to battery ground terminal.



Current	Terminal No.	Standard
Flow	1 and 2	Less than 1 Ω
No flow		More than 1 MΩ

3. TAIL AND ILLUMINATION RELAY

Measure the resistance between tail and illumination relay terminals when connecting terminal No. 4 to battery positive terminal and terminal No. 3 to battery ground terminal.



Current	Terminal No.	Standard
Flow	1 and 2	Less than 1 Ω
No flow		More than 1 MΩ

3. Front Fog Light System

A: WIRING DIAGRAM

1. FRONT FOG LIGHT

<Ref. to WI-267, WIRING DIAGRAM, Front Fog Light System.>

B: INSPECTION

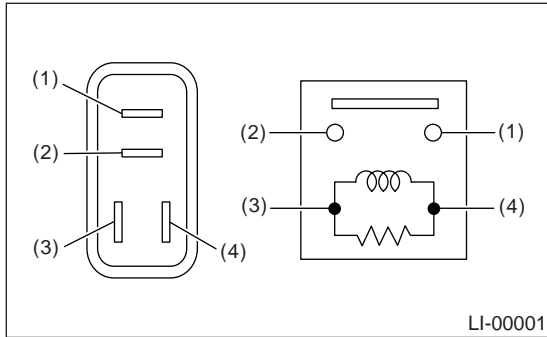
1. FRONT FOG LIGHT SWITCH

Measure the resistance between front fog light switch terminals.

<Ref. to LI-10, INSPECTION, Combination Switch (Light).>

2. FRONT FOG LIGHT RELAY

Measure the resistance between front fog light relay terminals when connecting terminal No. 4 to battery positive terminal and terminal No. 3 to battery ground terminal.



Current	Terminal No.	Standard
Flow	1 and 2	Less than 1 Ω
No flow		More than 1 MΩ

4. Rear Fog Light System

A: WIRING DIAGRAM

1. REAR FOG LIGHT

<Ref. to WI-279, WIRING DIAGRAM, Rear Fog Light System.>

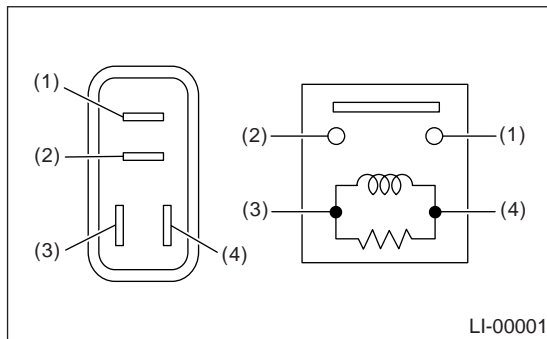
B: INSPECTION

1. REAR FOG LIGHT SWITCH

Measure the rear fog light switch resistance between terminals. <Ref. to LI-10, INSPECTION, Combination Switch (Light).>

2. REAR FOG LIGHT RELAY

Measure the resistance between rear fog light relay terminals while connecting terminal No. 4 to battery positive terminal and No. 3 to battery ground terminal.



Current	Terminal No.	Standard
Flow	1 and 2	Less than 1 Ω
No flow		More than 1 M Ω

Turn Signal Light and Hazard Light System

LIGHTING SYSTEM

5. Turn Signal Light and Hazard Light System

A: WIRING DIAGRAM

1. TURN SIGNAL LIGHT AND HAZARD LIGHT SYSTEM

<Ref. to WI-282, WIRING DIAGRAM, Turn Signal Light and Hazard Light System.>

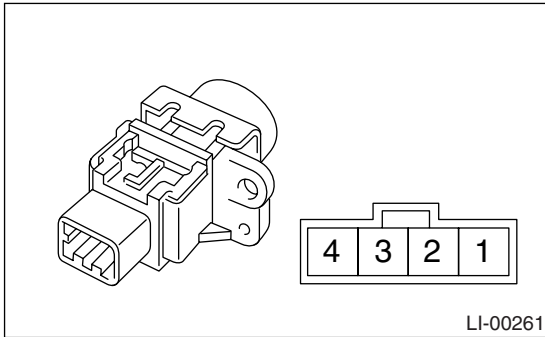
B: INSPECTION

1. TURN SIGNAL SWITCH

<Ref. to LI-10, INSPECTION, Combination Switch (Light).>

2. HAZARD SWITCH

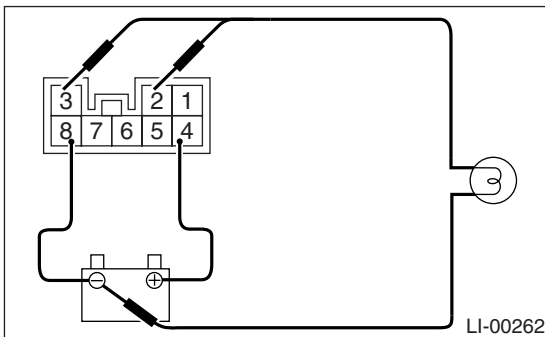
Measure the resistance between hazard switch terminals.



Switch position	Terminal No.	Standard
OFF	2 and 3	More than 1 M Ω
ON		Less than 1 Ω

3. TURN SIGNAL LIGHT AND HAZARD LIGHT MODULE

Connect the battery and turn signal light bulb to the module. The module is properly functioning if it blinks when power is supplied to the circuit.



6. Back-up Light System

A: WIRING DIAGRAM

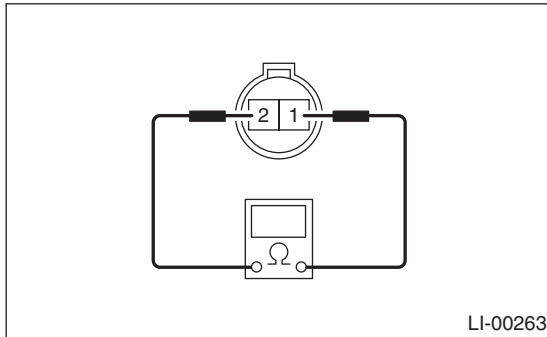
1. BACK-UP LIGHT

<Ref. to WI-257, WIRING DIAGRAM, Back-up Light System.>

B: INSPECTION

1. BACK-UP LIGHT SWITCH (MT MODEL)

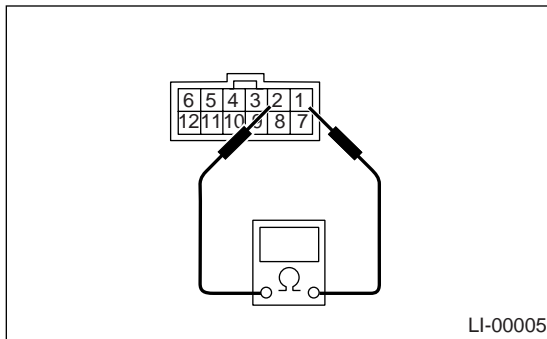
Measure the resistance between back-up light switch terminals.



Switch position	Terminal No.	Standard
When shift lever is set in reverse position	1 and 2	Less than 1 Ω
Other positions		More than 1 M Ω

2. INHIBITOR SWITCH (4AT MODEL)

Measure the resistance between inhibitor switch terminals.

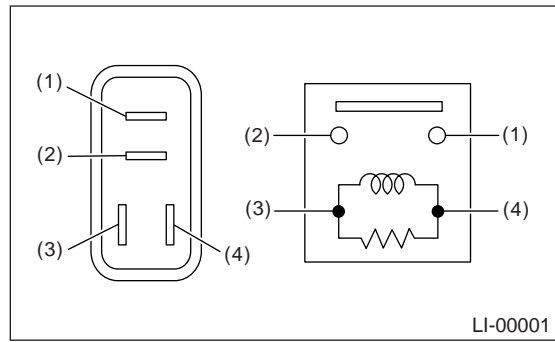


Switch position	Terminal No.	Standard
When the selector lever is in "R" range	1 and 2	Less than 1 Ω
Other positions		More than 1 M Ω

3. BACK-UP LIGHT RELAY (5AT MODEL)

Measure the resistance between back-up light relay terminals when connecting terminal No. 4 to

battery positive terminal and terminal No. 3 to battery ground terminal.



Current Flow	Terminal No.	Standard
Flow	1 and 2	Less than 1 Ω
No flow		More than 1 M Ω

NOTE:

Check other than back-up light relay. <Ref. to 4AT-52, INSPECTION, Inhibitor Switch.>

7. Stop Light System

A: WIRING DIAGRAM

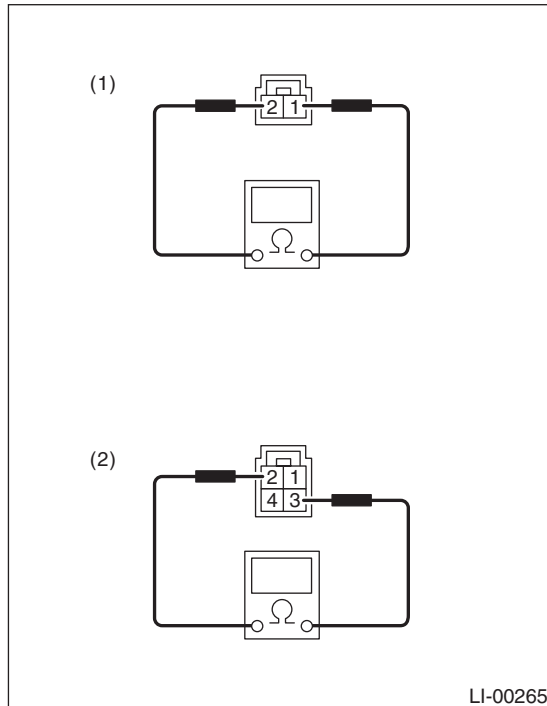
1. STOP LIGHT

<Ref. to WI-281, WIRING DIAGRAM, Stop Light System.>

B: INSPECTION

1. STOP LIGHT SWITCH

Measure the resistance between stop light switch terminals.



- (1) Model without cruise control
- (2) Model with cruise control

Switch position	Terminal No.	Standard
When brake pedal is depressed	Model without cruise control: 1 and 2	Less than 1 Ω
When brake pedal is released	Model with cruise control: 2 and 3	More than 1 MΩ

8. Room Light System

A: WIRING DIAGRAM

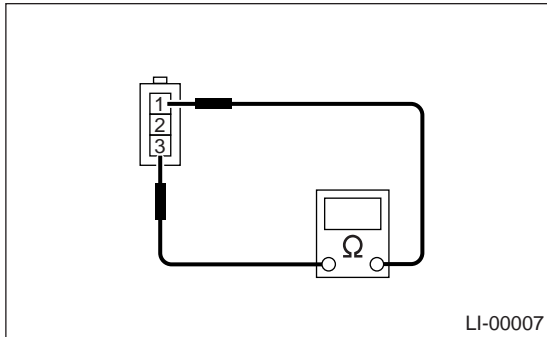
1. INTERIOR LIGHT

<Ref. to WI-271, WIRING DIAGRAM, Interior Light System.>

B: INSPECTION

1. DOOR SWITCH

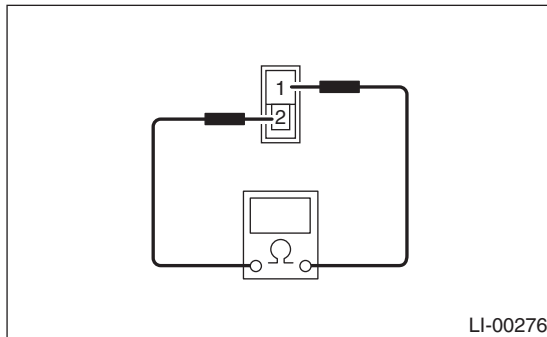
Measure the resistance between door switch terminals.



Switch position	Terminal No.	Standard
When door is opened	1 and 3	Less than 1 Ω
When door is closed		More than 1 M Ω

2. REAR GATE LATCH SWITCH

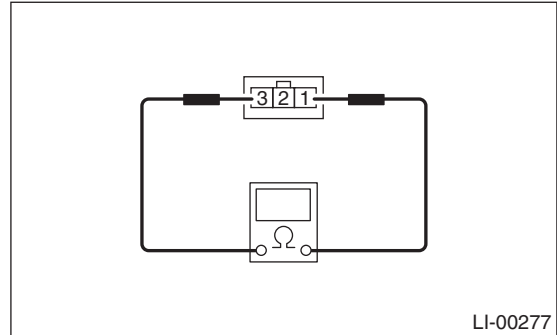
Measure the resistance between rear gate latch switch terminals.



Switch position	Terminal No.	Standard
When rear gate is opened	1 and 2	Less than 1 Ω
When rear gate is closed		More than 1 M Ω

3. TRUNK ROOM LIGHT SWITCH

Measure the resistance between trunk room light switch terminals.



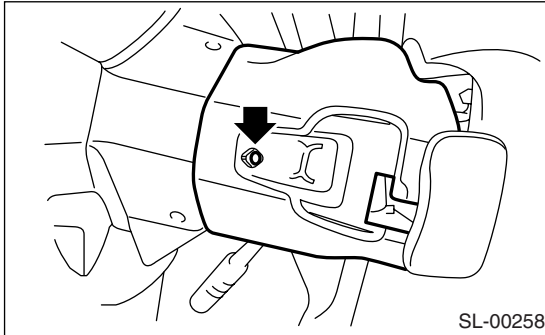
Switch position	Terminal No.	Standard
When trunk lid is opened	1 and 3	Less than 1 Ω
When trunk lid is closed		More than 1 M Ω

Combination Switch (Light)

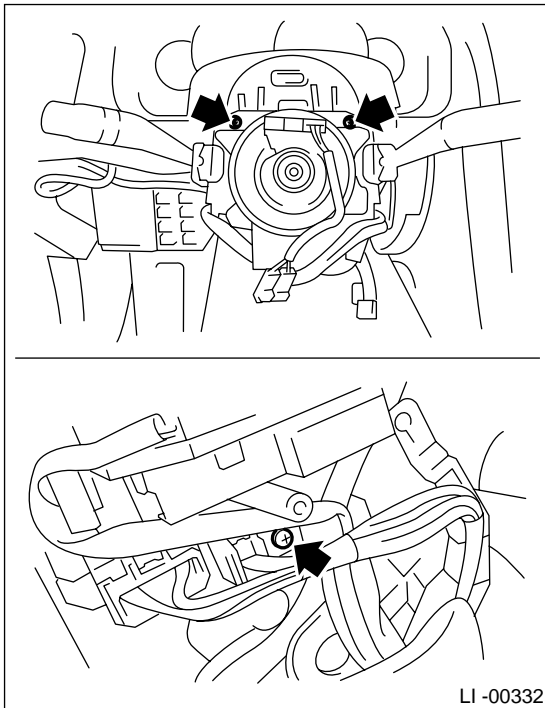
9. Combination Switch (Light)

A: REMOVAL

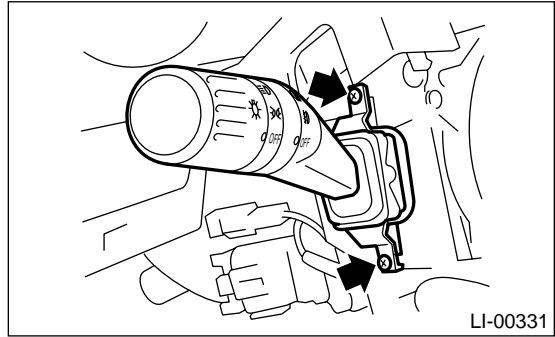
- 1) Disconnect the ground cable from battery.
- 2) Remove the instrument panel lower cover. <Ref. to EI-56, REMOVAL, Instrument Panel Assembly.>
- 3) Remove the screws and remove the steering column cover (upper and lower).



- 4) Disconnect the connector from combination switch.
- 5) Remove three screws, and pull the combination base switch assembly toward you. (Only for KA model)



- 6) Remove the screws which secure switch, then remove the combination switch.

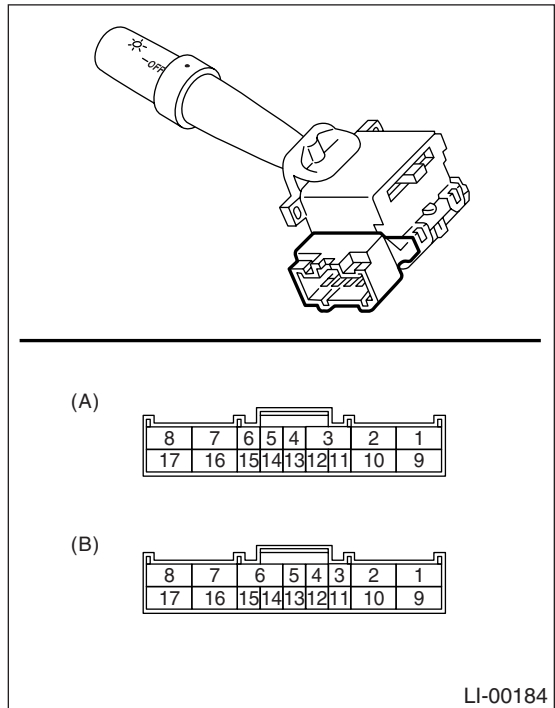


B: INSTALLATION

Install in the reverse order of removal.

C: INSPECTION

Measure the resistance between combination switch terminals.



- (A) LHD and EK model
- (B) KA model

1. LIGHTING SWITCH

- LHD model

Switch position	Terminal No.	Standard
OFF	—	More than 1 MΩ
Tail	14 and 16	Less than 1 Ω
Head	13, 14 and 16	Less than 1 Ω

- EK model

Switch position	Terminal No.	Standard
OFF	—	More than 1 MΩ
Tail	14 and 16	Less than 1 Ω
Head	13, 14 and 10	Less than 1 Ω

- KA model

Switch position	Terminal No.	Standard
OFF	—	More than 1 MΩ
Tail	15 and 9	Less than 1 Ω
Head	14, 15 and 9	Less than 1 Ω

2. DIMMER & PASSING SWITCH

- LHD model

Switch position	Terminal No.	Standard
Passing	7, 8 and 16	Less than 1 Ω
Low beam	17 and 16	Less than 1 Ω
High beam	7 and 16	Less than 1 Ω

- EK model

Switch position	Terminal No.	Standard
Passing	8, 7 and 10	Less than 1 Ω
Low beam	17 and 10	Less than 1 Ω
High beam	7 and 10	Less than 1 Ω

- KA model

Switch position	Terminal No.	Standard
Passing	1, 2 and 9	Less than 1 Ω
Low beam	10 and 9	Less than 1 Ω
High beam	2 and 9	Less than 1 Ω

3. TURN SIGNAL SWITCH

- LHD model/EK model

Switch position	Terminal No.	Standard
Left	1 and 2	Less than 1 Ω
Neutral	—	More than 1 MΩ
Right	2 and 3	Less than 1 Ω

- KA model

Switch position	Terminal No.	Standard
Left	6 and 7	Less than 1 Ω
Neutral	—	More than 1 MΩ
Right	7 and 8	Less than 1 Ω

4. FRONT FOG LIGHT

- LHD model/EK model

Switch position	Terminal No.	Standard
OFF	—	More than 1 MΩ
ON	10 and 11	Less than 1 Ω

- KA model

Switch position	Terminal No.	Standard
OFF	12 and 16	More than 1 MΩ
ON		Less than 1 Ω

5. REAR FOG LIGHT

- LHD model/EK model

Switch position	Terminal No.	Standard
OFF	—	More than 1 MΩ
ON	12 and 10	Less than 1 Ω

- KA model

Switch position	Terminal No.	Standard
OFF	16 and 13	More than 1 MΩ
ON		Less than 1 Ω

10. Headlight Beam Leveler System

A: WIRING DIAGRAM

1. HEADLIGHT BEAM LEVELER SYSTEM

<Ref. to WI-243, WIRING DIAGRAM, Headlight Beam Leveler System.>

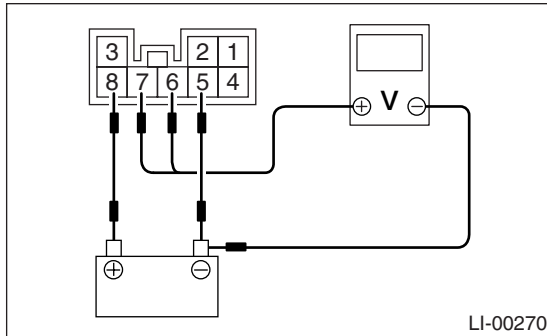
B: INSPECTION

1. HEADLIGHT BEAM LEVELER ACTUATOR

- 1) Turn on the headlights.
- 2) Confirm the headlight beam level is lowered by changing the switch position to 0 → 1 → 2 → 3 → 4 → 5.

2. HEADLIGHT BEAM LEVELER SWITCH

Connect the battery and headlight beam leveler switch connector to the circuit tester. Measure the voltage at each switch position.

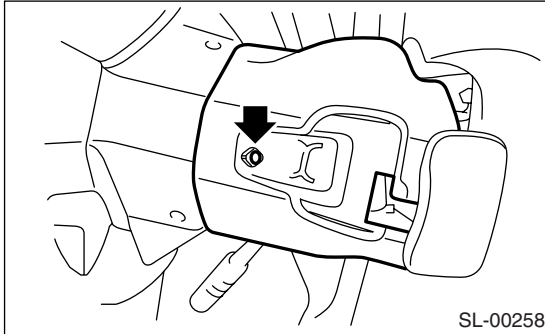


Switch position	Terminal No.	Standard
0	6, 7 (+) and battery (-)	Battery voltage
1		Battery voltage
2		Battery voltage
3		Battery voltage
4		Battery voltage
5		Battery voltage

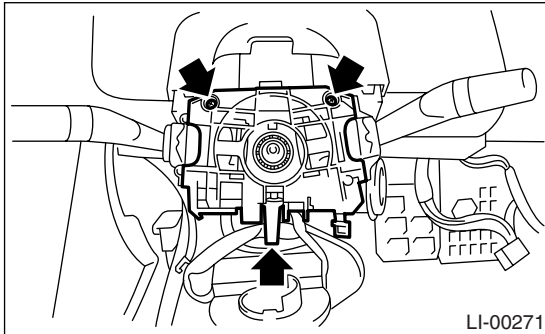
11. Combination Base Switch Assembly

A: REMOVAL

- 1) Remove the driver's airbag module. <Ref. to AB-14, REMOVAL, Driver's Airbag Module.>
- 2) Remove the steering wheel. <Ref. to PS-20, REMOVAL, Steering Wheel.>
- 3) Remove the screws and remove the steering column lower cover.



- 4) Remove the combination switch. <Ref. to LI-10, REMOVAL, Combination Switch (Light).> <Ref. to WW-8, REMOVAL, Combination Switch (Wiper).>
- 5) Remove the four screws and remove the roll connector.
- 6) Remove the three screws.



- 7) Disconnect the connector and remove the combination base switch assembly.

B: INSTALLATION

- 1) Install in the reverse order of removal.
- 2) Before installing steering wheel, be sure the direction of roll connector is adjusted with steering. <Ref. to AB-23, ADJUSTMENT, Roll Connector.>

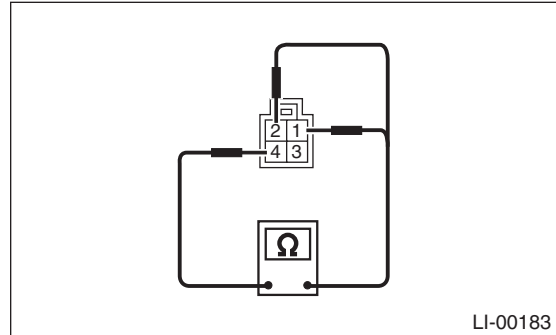
C: INSPECTION

1. COMBINATION BASE SWITCH ASSEMBLY

Inspect the combination base switch assembly and roll connector for crack or deformation. If any damage is found, replace with a new one.

2. PARKING SWITCH

Measure the resistance between parking switch terminals.

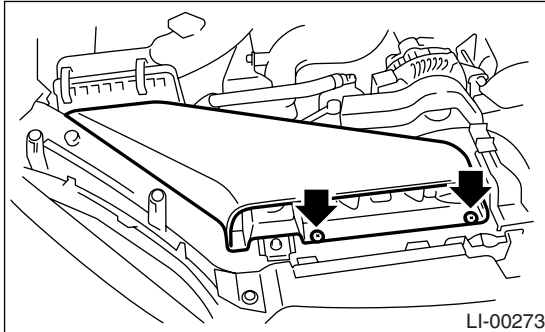


Switch position	Terminal No.	Standard
OFF	2 and 4	Less than 1 Ω
ON	1 and 4	Less than 1 Ω

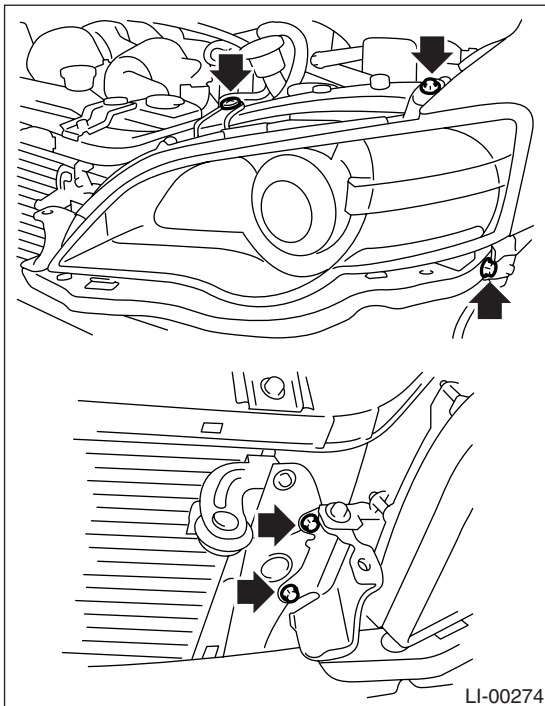
12. Headlight Assembly

A: REMOVAL

- 1) Disconnect the ground cable from battery.
- 2) Remove the air intake duct. (When removing the headlight RH)



- 3) Remove the front grille. <Ref. to EI-24, REMOVAL, Front Grille.>
- 4) Remove the front bumper. <Ref. to EI-30, REMOVAL, Front Bumper.>
- 5) Disconnect each harness connector.
- 6) Remove the 4 bolts and disengage clips, and then detach the headlight assembly.



B: INSTALLATION

Install in the reverse order of removal.

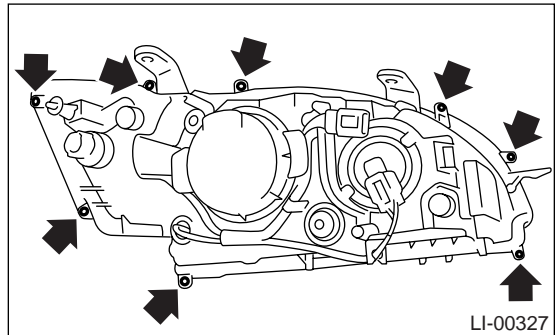
C: DISASSEMBLY

CAUTION:

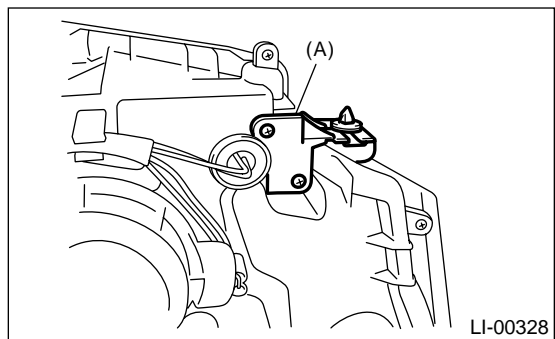
- Do not touch the bulb glass portion.
- Do not touch inside the lens (extension portion) or reflector portion.
- Replace the packing with a new one.

- 1) Remove the headlight assembly. <Ref. to LI-14, REMOVAL, Headlight Assembly.>

- 2) Remove the eight screws.



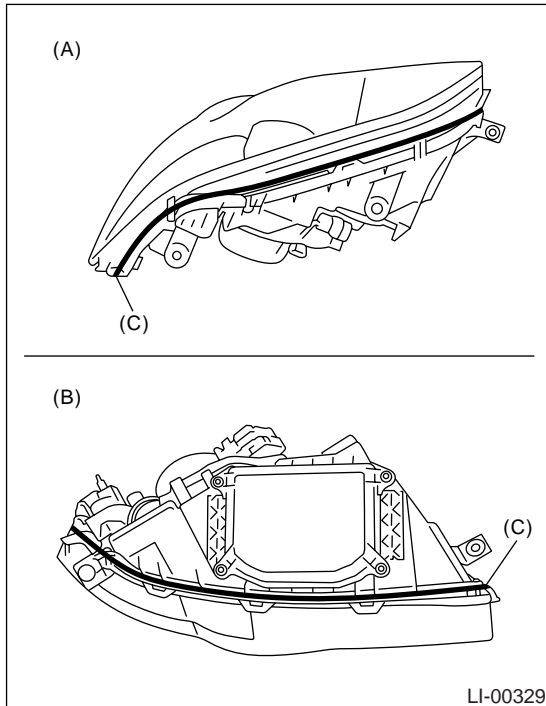
- 3) Remove headlight side bracket.



(A) Headlight side bracket

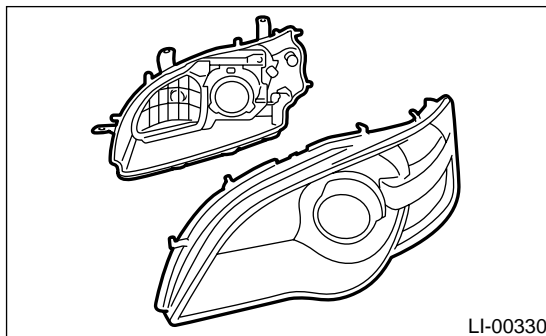
- 4) Heat the sealing portion between headlight assembly and lens using heating gun.

CAUTION:
Avoid heating one specific point of the seal portion and heating the headlight assembly to 100°C (212°F) or more.



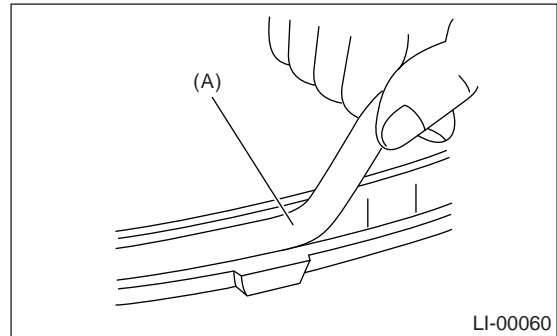
- (A) Headlight ASSY upper
- (B) Headlight ASSY lower
- (C) Heated portion

5) Unhook the hook, and then take the lens off the headlight assembly.



6) Remove the packing (A) from seal groove.

CAUTION:
Completely remove the packing not to leave any chips behind.



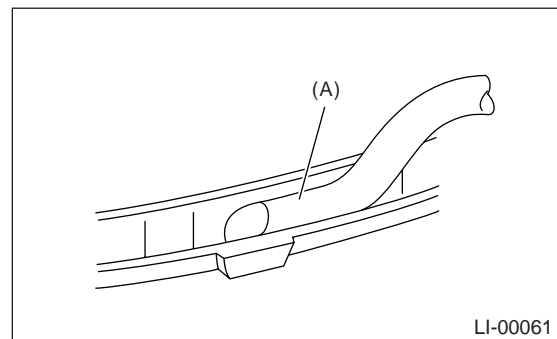
(A) Packing

D: ASSEMBLY

- 1) Cut the tip of packing (A) at an angle of 45°.
- 2) With the cut end facing upward, insert packing (A) into the groove around the seal.

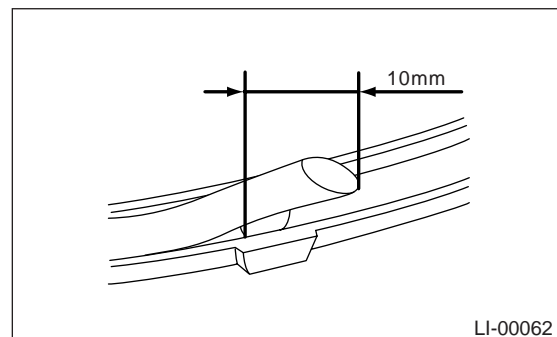
CAUTION:

- If the packing protrudes, slowly take it off the groove.
- Do not stretch the packing. If the packing is stretched, seal fails.



(A) Packing

3) After making a round of the seal, cut its tip at an angle of 45°, with its length 10 mm (0.39 in) longer than the circumference of seal so that the tip overlaps the other. Then, press it onto the seal, using a screwdriver.



Headlight Assembly

LIGHTING SYSTEM

4) Match the positions of the lens and headlight assembly, and then insert the lens into the headlight assembly.

CAUTION:

Remove the turn signal light bulb and clearance/parking light bulb before removing the lens.

5) Secure the hook, and then install the clip and screw.

6) Put the seal portion of headlight assembly into the water and check that water does not enter inside the headlight.

CAUTION:

Be sure that water does not enter inside the headlight through the bulb socket and ventilation hole.

E: ADJUSTMENT

1. HEADLIGHT AIMING

CAUTION:

Turn off the light before adjusting headlight beam level. If the light is necessary to check aiming, do not turn on for more than two minutes.

NOTE:

Before checking the headlight beam level, be sure of the following:

- The area around the headlight has not sustained any accident, damage or other type of deformation.
- Vehicle is parked on a level surface.
- The inflation pressure of tires is correct.
- Vehicle's fuel tank is fully filled.

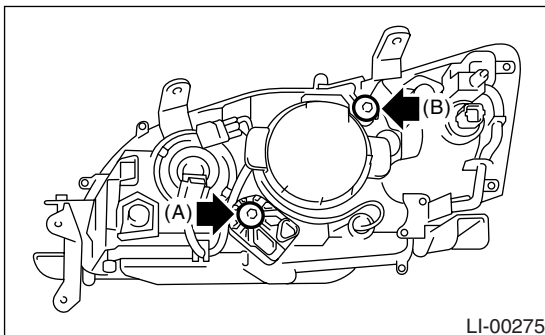
1) Bounce the vehicle several times to normalize the suspension.

2) Make certain that someone is seated in the driver's seat.

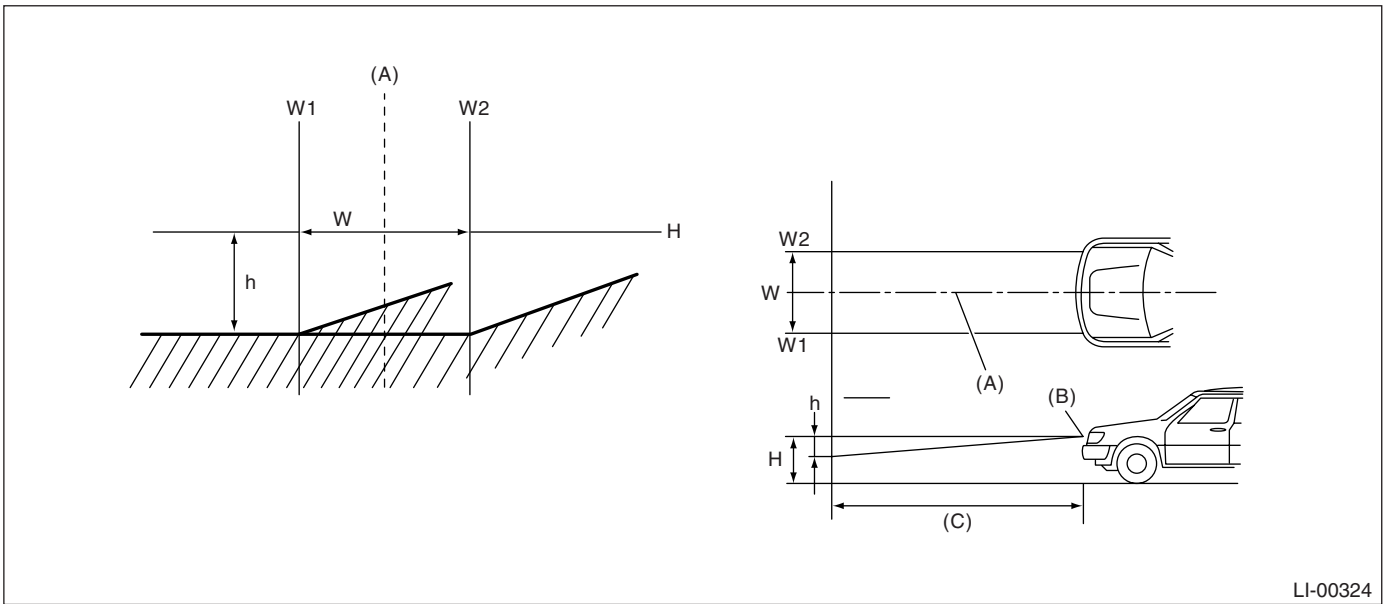
3) Turn the headlights on and then adjust the low beam pattern.

NOTE:

- Position the headlight beam leveler switch to "0".
- Adjust the vertical aim (A) first, then horizontal aim (B).



LI-00275



LI-00324

(A) Vehicle center

(B) Bulb center marking

(C) 3 m (10 ft)

Illustration above shows the illumination pattern for LHD model. Illumination pattern for RHD model is symmetrically opposite.

W mm (in)	H mm (in)			h mm (in) at 3 m (10 ft)
	Sedan	Wagon		
		Except for OUTBACK	OUTBACK	
1,180 (46.46)	640 (25.20)	635 (25.00)	705 (27.76)	30 (1.18)

13. Headlight Bulb

A: REMOVAL

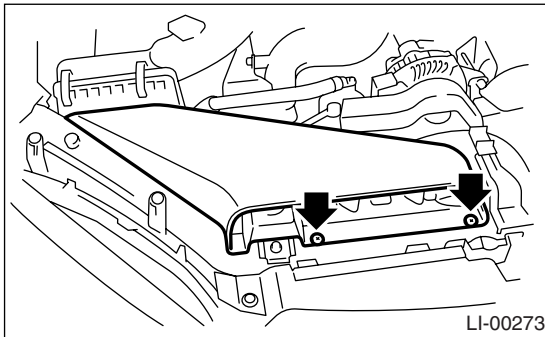
1. HIGH BEAM AND LOW BEAM

CAUTION:

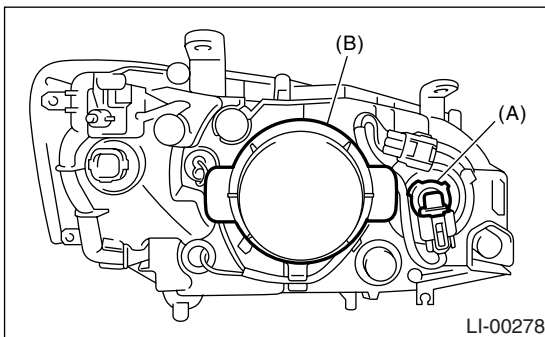
- Because the halogen bulb operates at a high temperature, dirt and oil on the bulb surface reduces the bulb's service life. Hold the flange portion when replacing the bulb. Never touch the glass portion.

- Do not leave the headlight without a bulb for a long time. Dust, moisture, etc. entering the headlight may affect its performance.

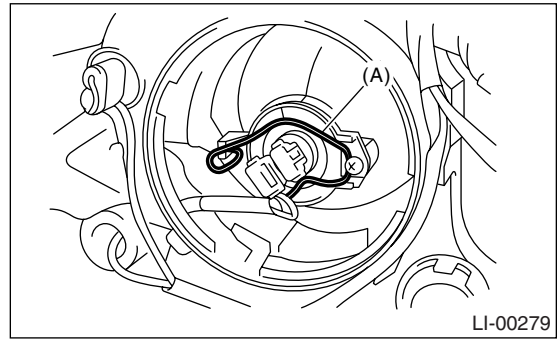
- 1) Disconnect the ground cable from battery.
- 2) Remove the air intake duct. (When removing the headlight bulb RH).



- 3) Remove the battery cover. (When removing the headlight bulb LH).
- 4) Tilt the washer tank filler neck. (When removing the headlight bulb LH).
- 5) Disconnect the harness connector.
- 6) Remove the bulb assembly (A) to remove high beam. To remove the low beam, remove the back cover (B), and then go to Step 7.



- 7) Remove the light bulb retaining spring (A) to remove bulb.



B: INSTALLATION

Install in the reverse order of removal.

C: INSPECTION

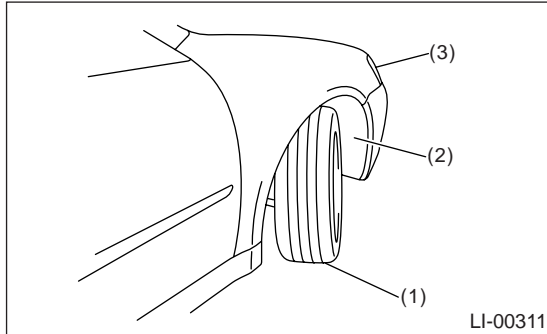
1. HALOGEN TYPE

- 1) Visually check the bulb for blow out.
- 2) Check the bulb specification.
<Ref. to LI-2, SPECIFICATION, General Description.>
- 3) If NG, replace the bulb with a new one.

14. Front Turn Signal Light Bulb

A: REMOVAL

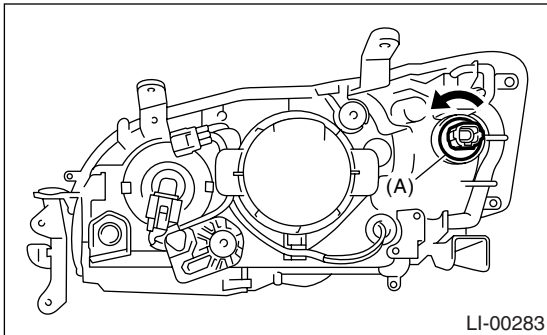
1) When removing the turn signal light bulb, fully turn the steering wheels to opposite direction from desired turn signal light bulb.



- (1) Turn the steering wheel fully.
- (2) Mud guard
- (3) Front turn signal light

2) Turn the mud guard inward.

3) Turn the socket (A) from wheel arch part, and then remove the front turn signal light bulb.



CAUTION:

For 5AT model, remove the turn signal light bulb LH from engine compartment with removing battery, because it can not be removed from wheel arch part.

B: INSTALLATION

Install in the reverse order of removal.

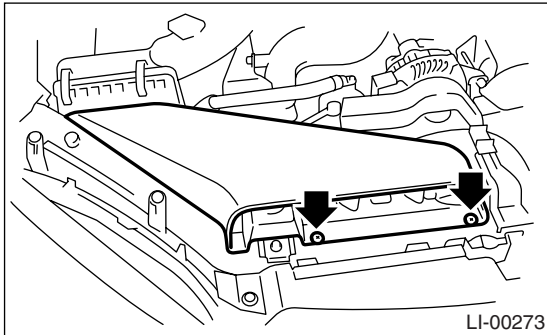
C: INSPECTION

- 1) Visually check the bulb for blow out.
- 2) Check the bulb specification.
<Ref. to LI-2, SPECIFICATION, General Description.>
- 3) If NG, replace the bulb with a new one.

15. Clearance/Parking Light Bulb

A: REMOVAL

1) Remove the air intake duct. (When removing the clearance light/parking light bulb RH).

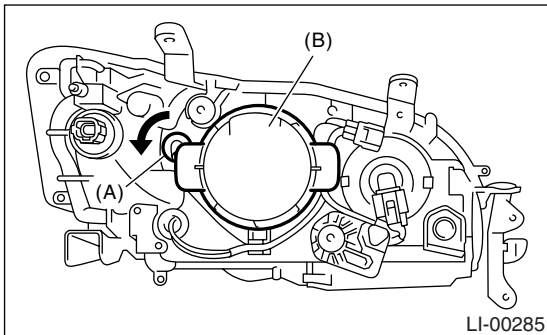


2) Remove the battery cover. (When removing the clearance light/parking light bulb LH)

3) Tilt the washer tank filler neck. (When removing the clearance/parking light bulb)

4) Remove the headlight low beam back cover (B).

5) Turn the socket (A) and remove the bulb.



B: INSTALLATION

Install in the reverse order of removal.

C: INSPECTION

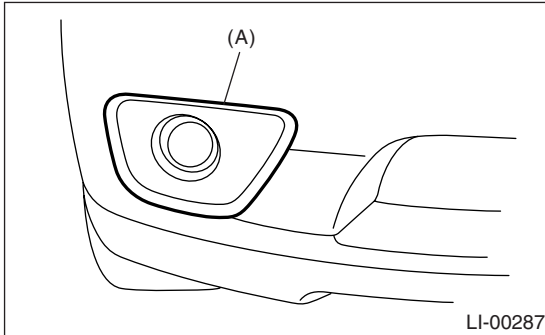
- 1) Visually check the bulb for blow out.
- 2) Check the bulb specification. <Ref. to LI-2, SPECIFICATION, General Description.>
- 3) If NG, replace the bulb with a new one.

16. Front Fog Light Assembly

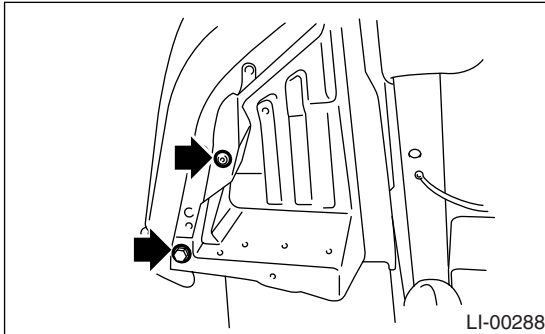
A: REMOVAL

1. EXCEPT FOR OUTBACK MODEL

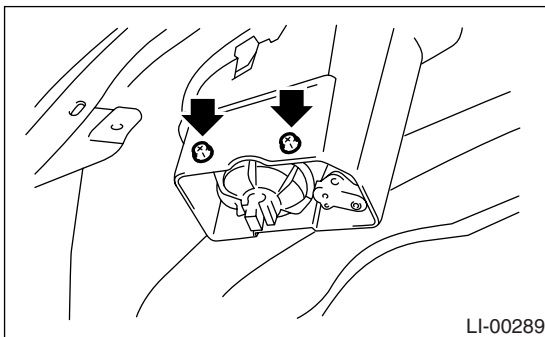
- 1) Disconnect the ground cable from battery.
- 2) Remove the front fog light cover (A).



- 3) Disengage the two clips, and then turn over the lower mud guard.

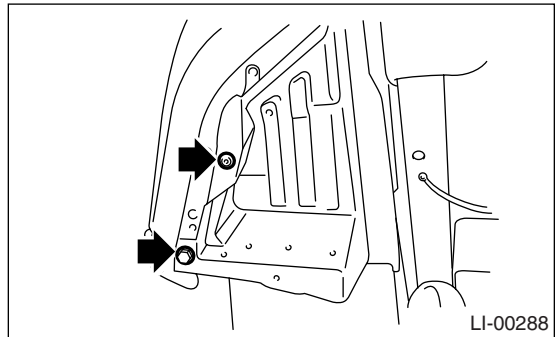


- 4) Disconnect the harness connector.
- 5) Remove the mounting bolts, and then detach the fog light assembly by pulling it.

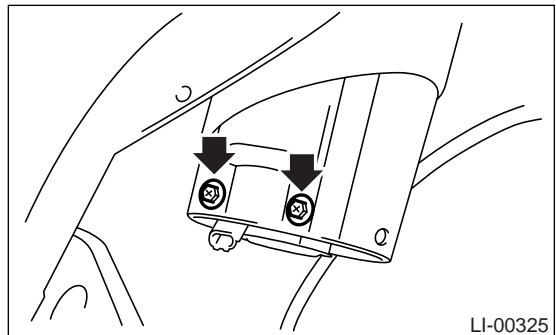


2. OUTBACK MODEL

- 1) Disconnect the ground cable from battery.
- 2) Remove the two clips, and then turn over the lower mud guard.



- 3) Disconnect the harness connector.
- 4) Remove the mounting bolts, and then detach the fog light assembly by pulling it.

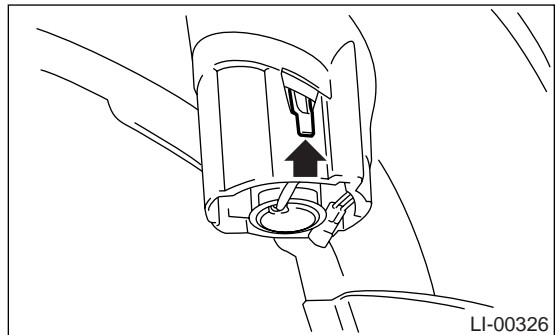


B: INSTALLATION

Install in the reverse order of removal.

CAUTION:

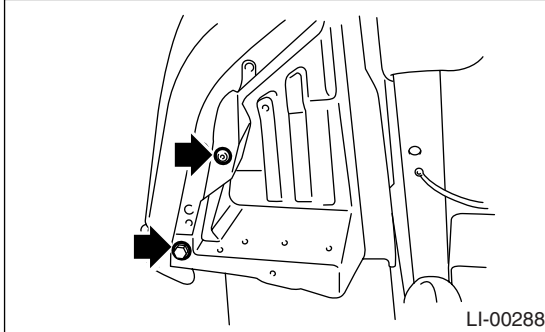
When installing the fog light assembly, be sure to secure the upper hock.



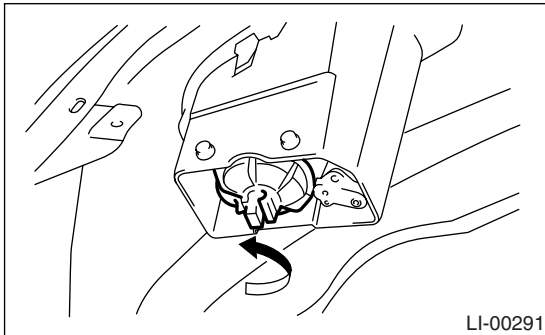
17. Front Fog Light Bulb

A: REMOVAL

- 1) Disconnect the ground cable from battery.
- 2) Disengage the two clips, and then turn over the lower mud guard.



- 3) Disconnect the harness connector.
- 4) Remove the back cover.



- 5) Remove the spring retainer then detach the fog light bulb.

B: INSTALLATION

Install in the reverse order of removal.

C: INSPECTION

- 1) Visually check the bulb for blow out.
- 2) Check the bulb specification. <Ref. to LI-2, SPECIFICATION, General Description.>
- 3) If NG, replace the bulb with a new one.

18.Rear Fog Light

A: REMOVAL

NOTE:

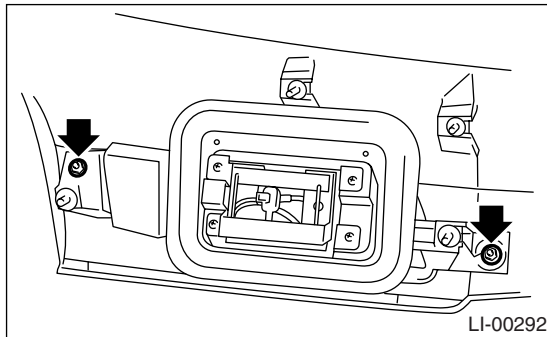
Rear fog light is installed to rear combination light of driver's side for sedan and rear gate garnish of driver's side for wagon.

1. SEDAN MODEL

Remove the rear combination light. <Ref. to LI-25, REMOVAL, Rear Combination Light Assembly.>

2. WAGON MODEL

- 1) Remove the rear gate trim. <Ref. to EI-69, REMOVAL, Rear Gate Trim.>
- 2) Disconnect the harness connectors and remove the rear gate garnish. <Ref. to EI-76, REMOVAL, Rear Gate Garnish.>
- 3) Remove the mounting nuts and detach the rear fog light assembly.



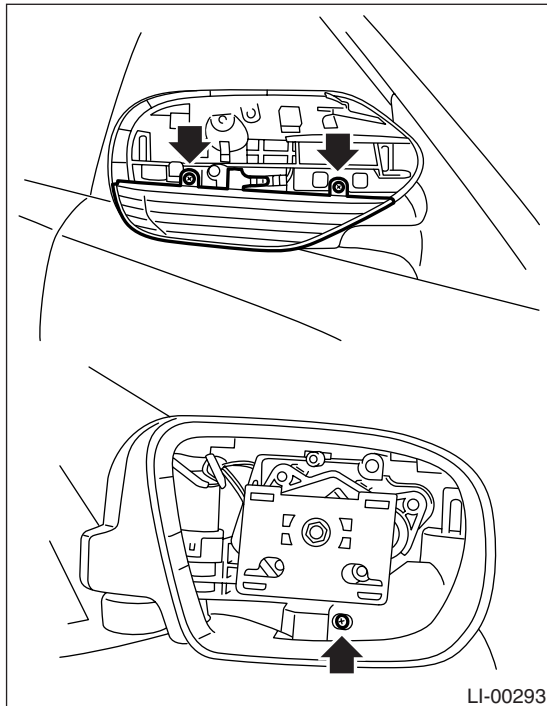
B: INSTALLATION

Install in the reverse order of removal.

19. Side Turn Signal Light Assembly

A: REMOVAL

- 1) Disconnect the ground cable from battery.
- 2) Remove the scalp caps. <Ref. to GW-17, REPLACEMENT, Scalp Cap.>
- 3) Remove the mirror. <Ref. to GW-19, REPLACEMENT, Outer Mirror.>
- 4) Disconnect the harness connector, remove the 3 mounting screws and then remove the side turn signal light assembly.



B: INSTALLATION

Install in the reverse order of removal.

C: INSPECTION

- 1) Install the side turn signal light assembly and check that it blinks normally.
- 2) If it does not blink normally, replace the side turn signal light assembly with a new one.

NOTE:

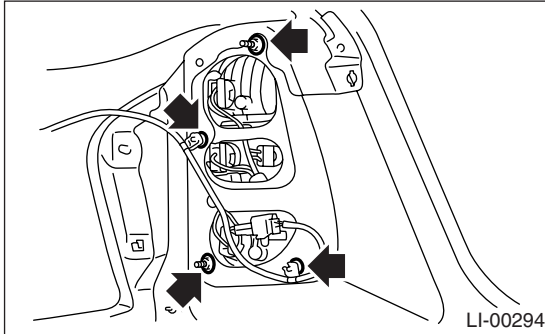
Since LED (Light Emitting Diode) is used for side turn signal light, replace the side turn signal light assembly when the LED is powered off.

20. Rear Combination Light Assembly

A: REMOVAL

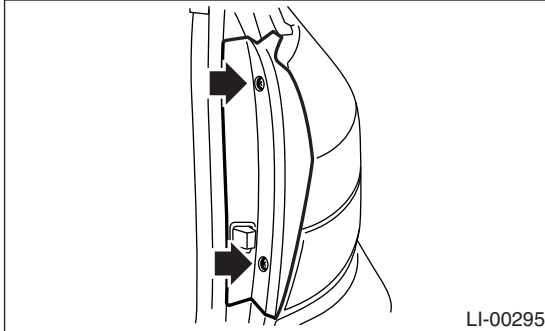
1. SEDAN MODEL

- 1) Disconnect the ground cable from battery.
- 2) Remove the trunk room side trim. <Ref. to EI-71, REMOVAL, Trunk Room Trim.>
- 3) Remove the four nuts, and then detach the rear combination light after disconnecting the connector.

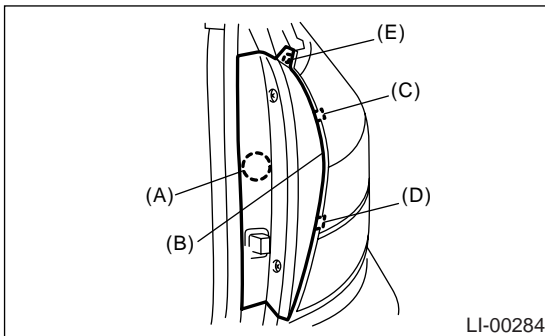


2. WAGON MODEL

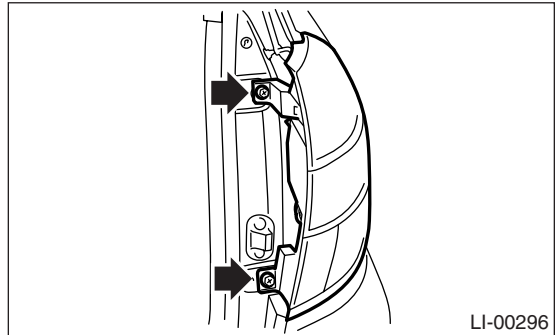
- 1) Disconnect the ground cable from battery.
- 2) Remove the clips.



- 3) While pressing the portion (A), insert your finger or flat-tip screwdriver wrapped with tape into the clearance (B) to remove pawls in the order of (C), (D), (E), and remove the rear combination cover.



- 4) Remove the two bolts, and then detach the rear combination light by pulling it to the rear side of vehicle.



- 5) Remove the rear combination light after turning the socket of tail/stop light bulb and rear turn signal light bulb to remove the bulbs.

B: INSTALLATION

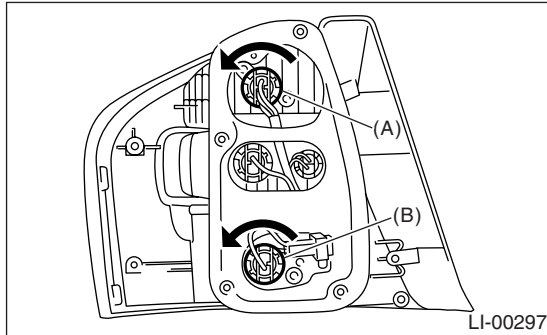
Install in the reverse order of removal.

21. Tail/Stop Light Bulb

A: REMOVAL

1. SEDAN MODEL

- 1) Remove the trunk side trim cover.
- 2) Turn the socket and remove the bulb.



Model without rear fog light

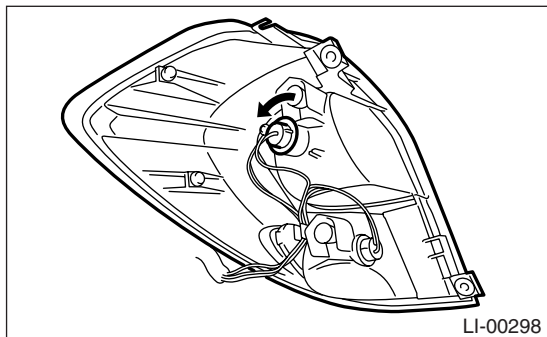
- (A) Tail light
- (B) Stop light

Model with rear fog light

- (A) Tail/stop light
- (B) Rear fog light (Driver's side only)

2. WAGON MODEL

- 1) Remove the rear combination light assembly.
<Ref. to LI-25, WAGON MODEL, REMOVAL, Rear Combination Light Assembly.>
- 2) Turn the socket and remove the bulb.



B: INSTALLATION

Install in the reverse order of removal.

C: INSPECTION

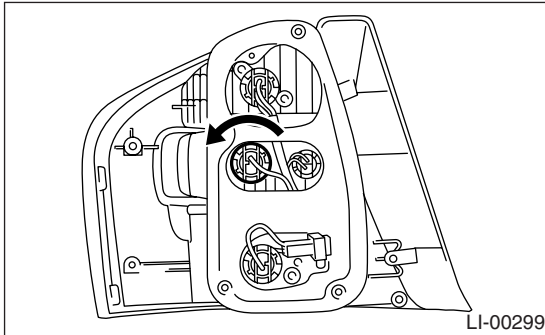
- 1) Visually check the bulb for blow out.
- 2) Check the bulb specification. <Ref. to LI-2, SPECIFICATION, General Description.>
- 3) If NG, replace the bulb with a new one.

22.Rear Turn Signal Light Bulb

A: REMOVAL

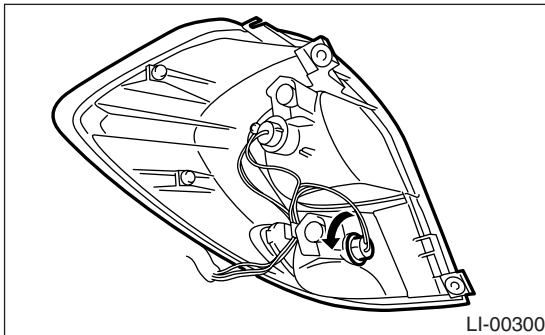
1. SEDAN MODEL

- 1) Remove the trunk side trim cover.
- 2) Turn the socket and remove the bulb.



2. WAGON MODEL

- 1) Remove the rear combination light assembly.
<Ref. to LI-25, WAGON MODEL, REMOVAL, Rear Combination Light Assembly.>
- 2) Turn the socket and remove the bulb.



B: INSTALLATION

Install in the reverse order of removal.

C: INSPECTION

- 1) Visually check the bulb for blow out.
- 2) Check the bulb specification. <Ref. to LI-2, SPECIFICATION, General Description.>
- 3) If NG, replace the bulb with a new one.

23. Back-up Light Assembly

A: REMOVAL

NOTE:

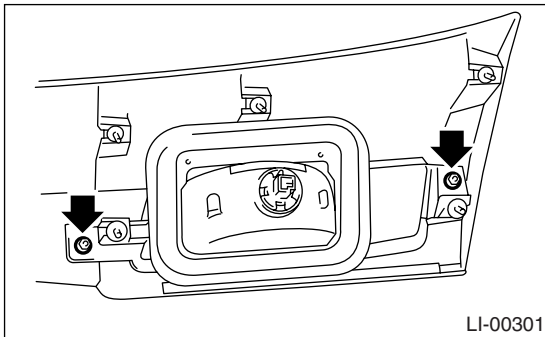
In case of model with rear fog light, back-up light is installed to only passenger's side.

1. SEDAN MODEL

Remove the rear combination light. <Ref. to LI-25, REMOVAL, Rear Combination Light Assembly.>

2. WAGON MODEL

- 1) Remove the rear gate trim. <Ref. to EI-69, REMOVAL, Rear Gate Trim.>
- 2) Disconnect the harness connectors and remove the rear gate garnish. <Ref. to EI-76, REMOVAL, Rear Gate Garnish.>
- 3) Remove the mounting nuts and detach the back-up light assembly.



B: INSTALLATION

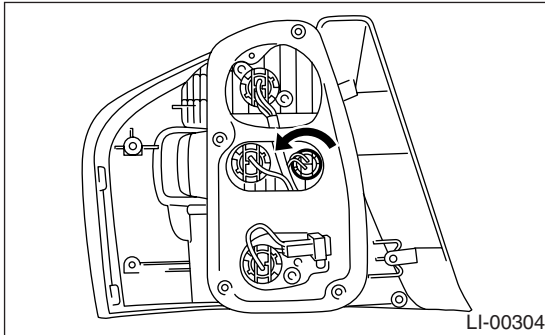
Install in the reverse order of removal.

24.Back-up Light Bulb

A: REMOVAL

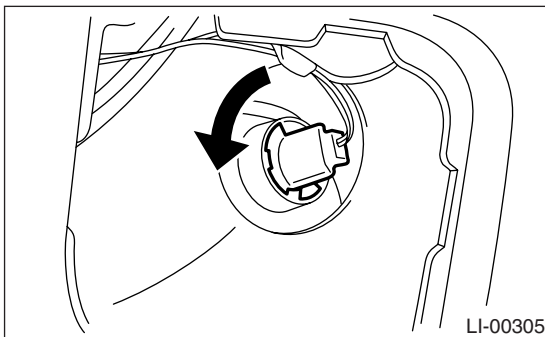
1. SEDAN MODEL

- 1) Remove the bulb inspection cover of trunk side trim.
- 2) Turn the socket and remove the bulb.



2. WAGON MODEL

- 1) Remove the bulb inspection cover of rear gate trim.
- 2) Turn the socket and remove the bulb.



B: INSTALLATION

Install in the reverse order of removal.

C: INSPECTION

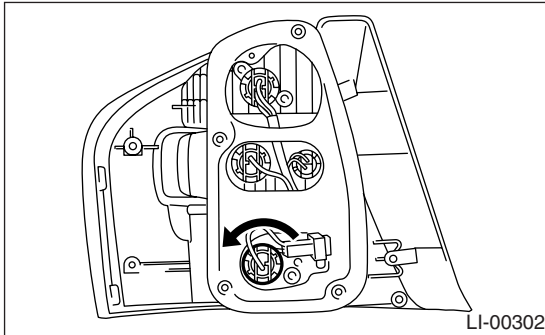
- 1) Visually check the bulb for blow out.
- 2) Check the bulb specification. <Ref. to LI-2, SPECIFICATION, General Description.>
- 3) If NG, replace the bulb with a new one.

25.Rear Fog Light Bulb

A: REMOVAL

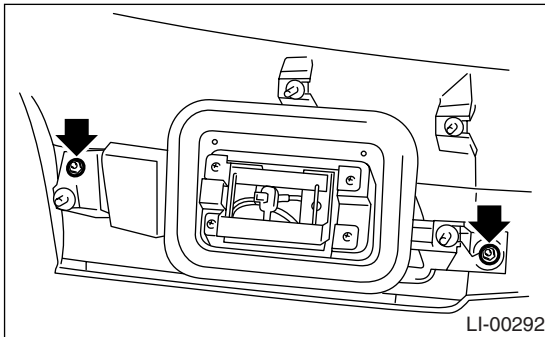
1. SEDAN MODEL

- 1) Remove the bulb inspection cover of trunk side trim.
- 2) Turn the socket and remove the bulb.



2. WAGON MODEL

- 1) Remove the rear fog light assembly. <Ref. to LI-23, REMOVAL, Rear Fog Light.>
- 2) Remove the mounting screws, and then remove the rear fog light assembly.



B: INSTALLATION

Install in the reverse order of removal.

C: INSPECTION

1. SEDAN MODEL

- 1) Visually check the bulb for blow out.
- 2) Check the bulb specification. <Ref. to LI-2, SPECIFICATION, General Description.>
- 3) If NG, replace the bulb with a new one.

2. WAGON MODEL

- 1) Install the rear fog light assembly to check that it illuminate normally.
- 2) If it does not illuminate, replace the rear fog light assembly with a new one.

NOTE:

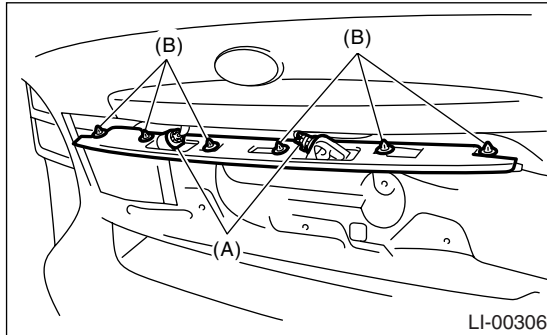
Since LED (Light Emitting Diode) is used for the rear fog light, replace the rear fog light assembly when the LED is powered off.

26. License Plate Light Assembly

A: REMOVAL

1. SEDAN MODEL

- 1) Remove the trunk lid garnish. <Ref. to EI-75, REMOVAL, Trunk Lid Garnish.>
- 2) Remove the trunk lid trim. <Ref. to EI-71, TRUNK LID TRIM, REMOVAL, Trunk Room Trim.>
- 3) Turn and remove the bulb socket (A). Disengage the clip (B) and remove the license plate light assembly.



B: INSTALLATION

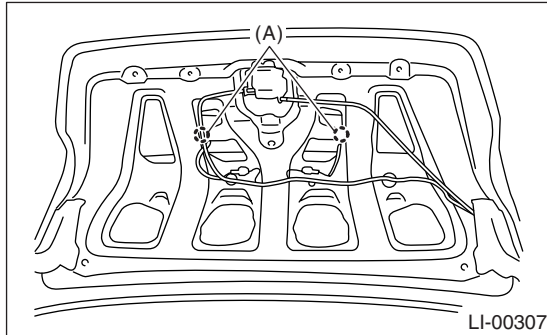
Install in the reverse order of removal.

27. License Plate Light

A: REMOVAL

1. SEDAN MODEL

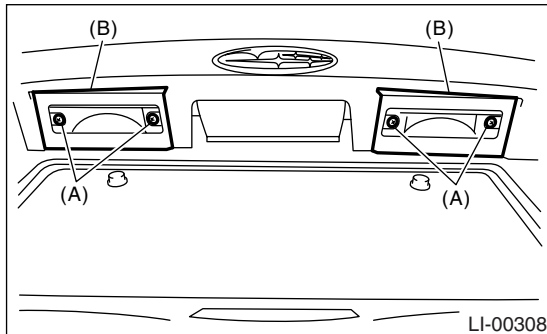
- 1) Remove the trunk lid trim. <Ref. to EI-71, TRUNK LID TRIM, REMOVAL, Trunk Room Trim.>
- 2) Turn and remove the bulb socket (A).



- 3) Remove the bulb.

2. WAGON MODEL

- 1) Remove the license plate light mounting screw (A) and then remove the lens (B).



- 2) Remove the bulb.

B: INSTALLATION

Install in the reverse order of removal.

C: INSPECTION

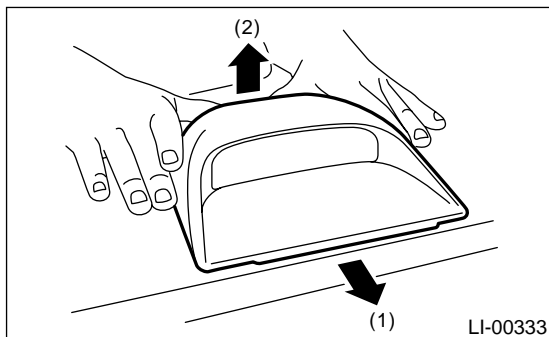
- 1) Visually check the bulb for blow out.
- 2) Check the bulb specification. <Ref. to LI-2, SPECIFICATION, General Description.>
- 3) If NG, replace the bulb with a new one.

28.High-mounted Stop Light

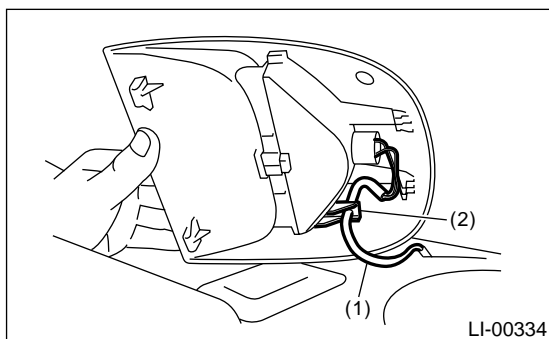
A: REMOVAL

1. SEDAN MODEL

- 1) Disconnect the ground cable from battery.
- 2) Push the high-mounted stop light backward of the vehicle (1), raise the rear portion of it (2) and remove the clips to remove it.

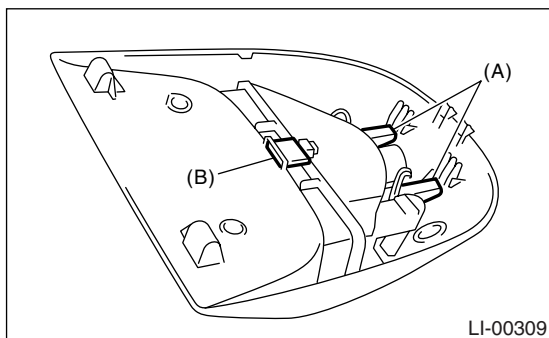


- 3) Remove the harness from clamp.

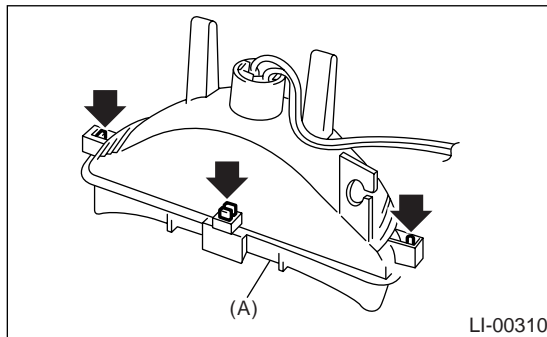


- (1) Harness
- (2) Clamp

- 4) Disengage two claws (A), pull out the high-mounted stop light from the cover and remove the claw (B).



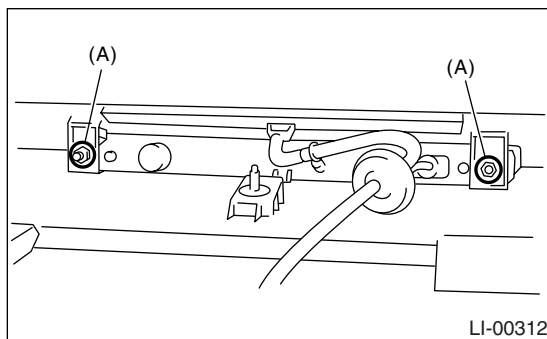
- 5) Disengage three claws and remove the lens (A).



- 6) Remove the bulb.

2. WAGON MODEL

- 1) Disconnect the ground cable from battery.
- 2) Detach the roof spoiler. <Ref. to EI-40, REMOVAL, Roof Spoiler.>
- 3) Remove the nuts (A), then detach the high-mounted stop light.



B: INSTALLATION

Install in the reverse order of removal.

C: INSPECTION

1. SEDAN (STANDARD TYPE)

- 1) Visually check the bulb for blow out.
- 2) Check the bulb specification. <Ref. to LI-2, SPECIFICATION, General Description.>
- 3) If NG, replace the bulb with a new one.

2. SEDAN (REAR SPOILER BUILT-IN TYPE) AND WAGON

- 1) Install the high-mounted stop light to test if it illuminates normally.
- 2) If the high-mounted stop light does not illuminate, replace it with a new one.

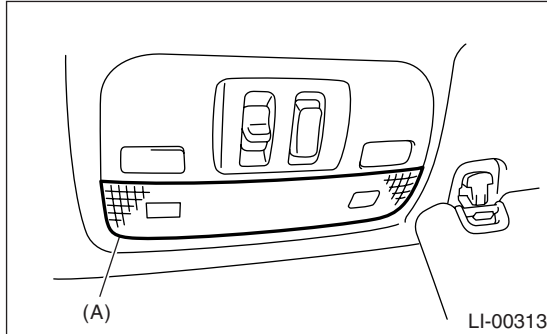
NOTE:

Since LED (Light Emitting Diode) is used for the high-mounted stop light of wagon model, replace the high-mounted stop light assembly when the LED is powered off.

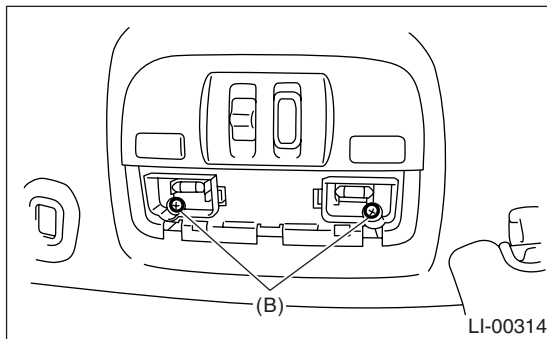
29. Spot Map Light

A: REMOVAL

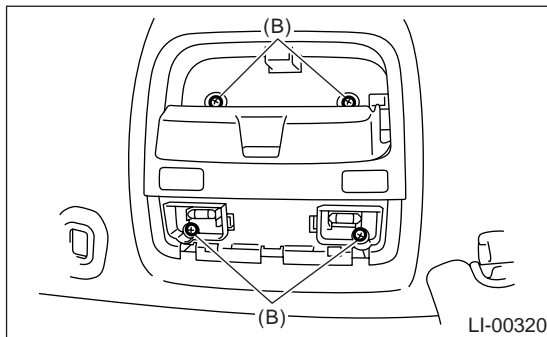
- 1) Disconnect the ground cable from battery.
- 2) Remove the lens (A) and spot map light mounting screws (B).



- Model with sunroof



- Model without sunroof



- 3) Disconnect the harness connectors and remove the spot map light.

B: INSTALLATION

Install in the reverse order of removal.

C: INSPECTION

1. SPOT MAP LIGHT BULB

- 1) Visually check the bulb for blow out.
- 2) Check the bulb specification. <Ref. to LI-2, SPECIFICATION, General Description.>
- 3) If NG, replace the bulb with a new one.

2. SPOT MAP LIGHT SWITCH

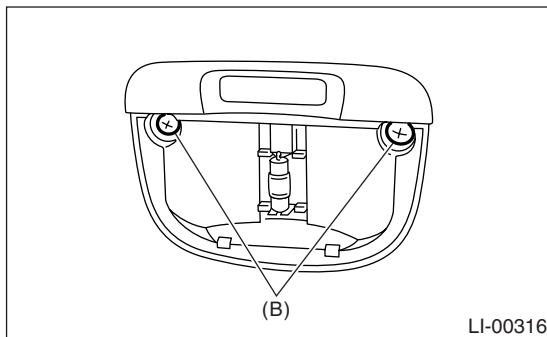
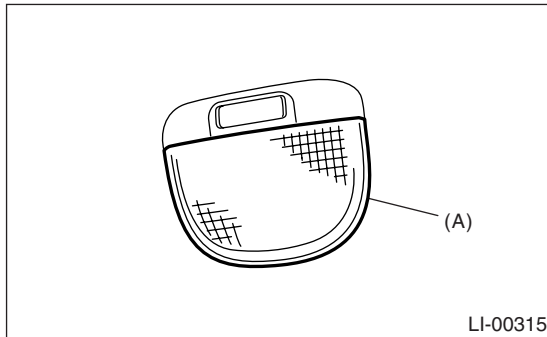
Measure the resistance between spot map light switch terminals.

Switch position	Terminal No.	Standard
OFF	—	More than 1 MΩ
ON	1 and 2	18±5.4 Ω

30.Room Light

A: REMOVAL

- 1) Disconnect the ground cable from battery.
- 2) Remove the lens (A) and mounting screws (B).



- 3) Disconnect the harness connector and remove the room light.

B: INSTALLATION

Install in the reverse order of removal.

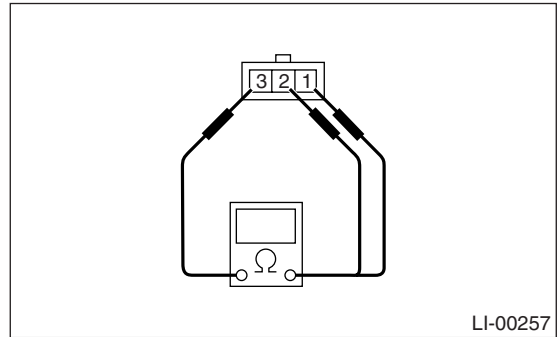
C: INSPECTION

1. ROOM LIGHT BULB

- 1) Visually check the bulb for blow out.
- 2) Check the bulb specification. <Ref. to LI-2, SPECIFICATION, General Description.>
- 3) If NG, replace the bulb with a new one.

2. ROOM LIGHT SWITCH

Measure the resistance between room light switch terminals.

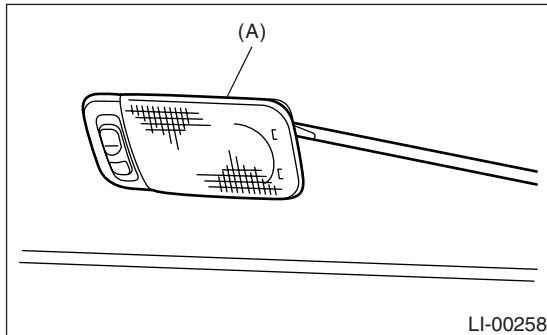


Switch position	Terminal No.	Standard
OFF	—	More than 1 MΩ
ON	1 and 3	1.5±0.5 Ω
DOOR	2 and 3	1.5±0.5 Ω

31. Luggage Room Light

A: REMOVAL

- 1) Disconnect the ground cable from battery.
- 2) Remove luggage room light body (A).



- 3) Disconnect the harness connector and remove the lens.

B: INSTALLATION

Install in the reverse order of removal.

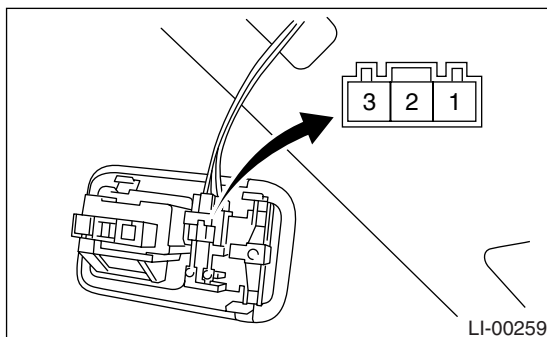
C: INSPECTION

1. LUGGAGE ROOM LIGHT BULB

- 1) Visually check the bulb for blow out.
- 2) Check the bulb specification. <Ref. to LI-2, SPECIFICATION, General Description.>
- 3) If NG, replace the bulb with a new one.

2. LUGGAGE ROOM LIGHT SWITCH

Measure the resistance between luggage room light switch terminals.



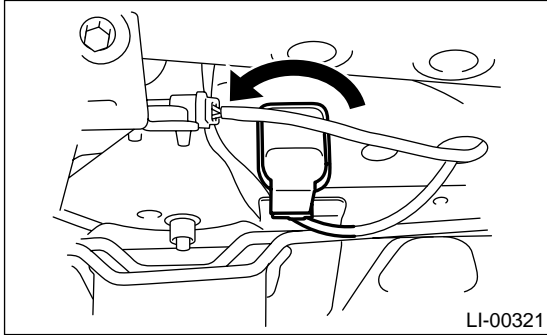
Switch position	Terminal No.	Standard
OFF	—	More than 1 MΩ
ON	1 and 2	1.5±0.5 Ω
DOOR	2 and 3	1.5±0.5 Ω

32.Trunk Room Light

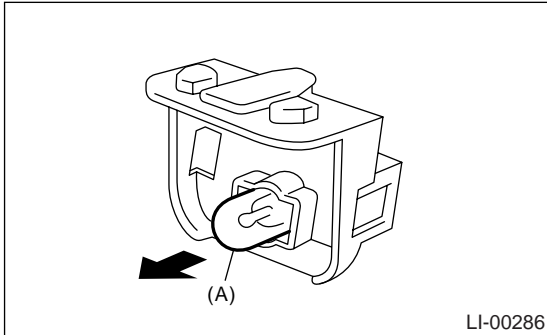
A: REMOVAL

- 1) Disconnect the ground cable from battery.
- 2) Turn the trunk room light counterclockwise to 60° to remove it and disconnect the harness connector.

Trunk lid position	Terminal No.	Standard
Close	1 and 3	More than 1 MΩ
Open		1.5±0.5 Ω



- 3) Remove the bulb (A).



B: INSTALLATION

Install in the reverse order of removal.

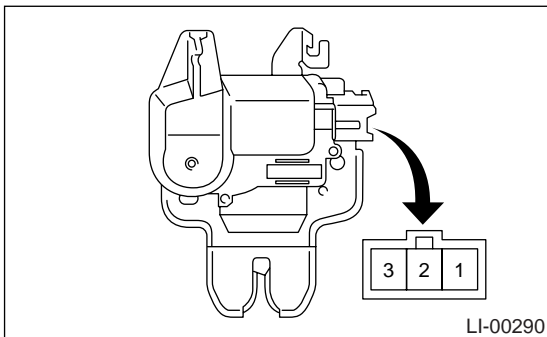
C: INSPECTION

1. TRUNK ROOM LIGHT BULB

- 1) Visually check the bulb for blow out.
- 2) Check the bulb specification. <Ref. to LI-2, SPECIFICATION, General Description.>
- 3) If NG, replace the bulb with a new one.

2. TRUNK LID SWITCH (TRUNK ROOM LIGHT SWITCH)

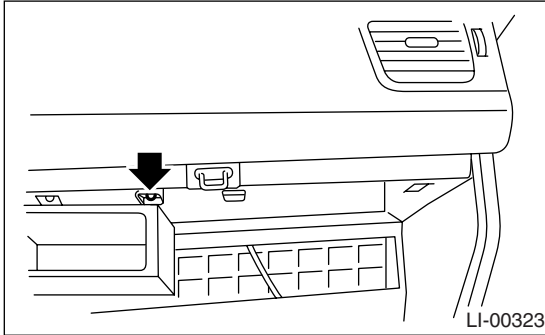
Measure the resistance between trunk lid switch terminals.



33. Glove Box Light

A: REMOVAL

- 1) Disconnect the ground cable from battery.
- 2) Remove the glove box. <Ref. to EI-51, REMOVAL, Glove Box.>
- 3) Disconnect the harness connector.
- 4) Remove the glove box light.



B: INSTALLATION

Install in the reverse order of removal.

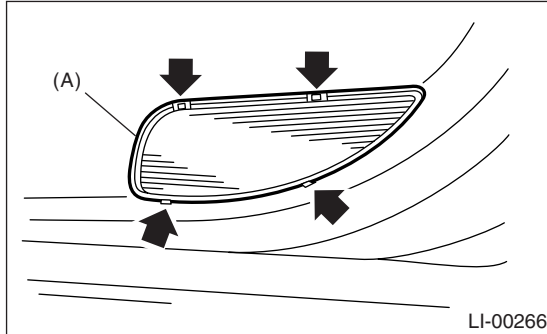
C: INSPECTION

- 1) Visually check the bulb for blow out.
- 2) Check the bulb specification.
<Ref. to LI-2, SPECIFICATION, General Description.>
- 3) If NG, replace the bulb with a new one.

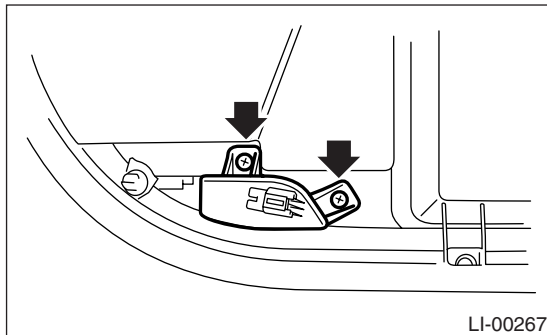
34. Door Step Light

A: REMOVAL

- 1) Disconnect the ground cable from battery.
- 2) Remove the lens (A), and then remove the door step light bulb.



- 3) Remove the front door trim. <Ref. to EI-48, REMOVAL, Door Trim.>
- 4) Disconnect the harness connector.
- 5) Remove the mounting screw from rear side of trim and remove the door step light.



B: INSTALLATION

Install in the reverse order of removal.

C: INSPECTION

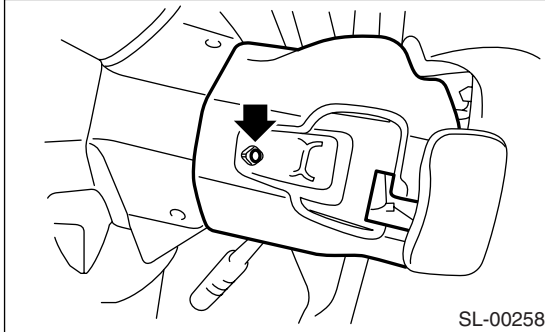
- 1) Visually check the bulb for blow out.
- 2) Check the bulb specification.
<Ref. to LI-2, SPECIFICATION, General Description.>
- 3) If NG, replace the bulb with a new one.

Ignition Switch Illumination

35. Ignition Switch Illumination

A: REMOVAL

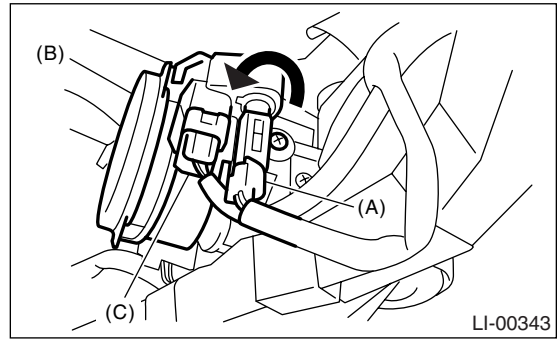
- 1) Disconnect the ground cable from battery.
- 2) Remove the screws and detach the upper column cover and lower column cover.



- 3) Remove the instrument panel lower cover. <Ref. to EI-56, REMOVAL, Instrument Panel Assembly.>
- 4) Disconnect the ignition switch illumination connector (A).

C: INSPECTION

- 5) Turn the ignition switch illumination connector to left and remove it.



- (A) Ignition switch illumination connector
- (B) Ignition switch illumination
- (C) Immobilizer antenna connector

B: INSTALLATION

Install in the reverse order of removal.

Step	Check	Yes	No
1 CHECK IGNITION SWITCH ILLUMINATION. Make sure the ignition switch illumination illuminates when driver's side door is open.	Does the ignition switch illumination illuminate?	Ignition switch illumination is normal.	Go to step 2.
2 CHECK IGNITION SWITCH ILLUMINATION. Make sure the ignition switch illumination blinks when ignition switch is turned to ON.	Does the ignition switch illumination blink?	Check the function setting of body integrated unit. <Ref. to LAN(diag)-2, Basic Diagnostic Procedure.>	Check the ignition switch illumination circuit. <Ref. to SL-27, CHECK IGNITION SWITCH ILLUMINATION, INSPECTION, Keyless Entry System.>