

**BODY SECTION**

This service manual has been prepared to provide SUBARU service personnel with the necessary information and data for the correct maintenance and repair of SUBARU vehicles.

This manual includes the procedures for maintenance, disassembling, reassembling, inspection and adjustment of components and diagnostics for guidance of experienced mechanics.

Please peruse and utilize this manual fully to ensure complete repair work for satisfying our customers by keeping their vehicle in optimum condition. When replacement of parts during repair work is needed, be sure to use SUBARU genuine parts.

All information, illustration and specifications contained in this manual are based on the latest product information available at the time of publication approval.

<b>HVAC SYSTEM (HEATER, VENTILATOR AND A/C)</b>	<b>AC</b>
<b>HVAC SYSTEM (AUTO A/C) (DIAGNOSTICS)</b>	<b>AC(diag)</b>
<b>AIRBAG SYSTEM</b>	<b>AB</b>
<b>AIRBAG SYSTEM (DIAGNOSTICS)</b>	<b>AB(diag)</b>
<b>SEAT BELT SYSTEM</b>	<b>SB</b>
<b>LIGHTING SYSTEM</b>	<b>LI</b>
<b>WIPER AND WASHER SYSTEMS</b>	<b>WW</b>
<b>ENTERTAINMENT</b>	<b>ET</b>
<b>COMMUNICATION SYSTEM</b>	<b>COM</b>
<b>GLASS/WINDOWS/MIRRORS</b>	<b>GW</b>
<b>BODY STRUCTURE</b>	<b>BS</b>
<b>INSTRUMENTATION/DRIVER INFO</b>	<b>IDI</b>
<b>SEATS</b>	<b>SE</b>
<b>SECURITY AND LOCKS</b>	<b>SL</b>
<b>SUNROOF/T-TOP/CONVERTIBLE TOP (SUNROOF)</b>	<b>SR</b>
<b>EXTERIOR/INTERIOR TRIM</b>	<b>EI</b>
<b>EXTERIOR BODY PANELS</b>	<b>EB</b>

BODY SECTION

CRUISE CONTROL SYSTEM CC

CRUISE CONTROL SYSTEM (DIAGNOSTICS) CC(diag)

IMMOBILIZER (DIAGNOSTICS) IM(diag)

LAN SYSTEM (DIAGNOSTICS) LAN(diag)

# AIRBAG SYSTEM (DIAGNOSTICS)

# *AB(diag)*

---

	<b>Page</b>
1. Basic Diagnostic Procedure .....	2
2. Check List for Interview .....	3
3. General Description .....	4
4. Electrical Component Location .....	18
5. Airbag Control Module I/O Signal.....	22
6. Airbag Connector .....	26
7. Airbag Warning Light Illumination Pattern .....	29
8. Read Diagnostic Trouble Code (DTC) .....	30
9. Inspection Mode.....	31
10. Clear Memory Mode.....	32
11. Airbag Warning Light Failure.....	33
12. List of Diagnostic Trouble Code (DTC) .....	37
13. Diagnostic Chart with Trouble Code .....	41

# Basic Diagnostic Procedure

AIRBAG SYSTEM (DIAGNOSTICS)

## 1. Basic Diagnostic Procedure

### A: PROCEDURE

	Step	Check	Yes	No
1	<b>READ DTC.</b> <Ref. to AB(diag)-30, Read Diagnostic Trouble Code (DTC).>	Is the normal code detected?	Finish the diagnosis.	Go to step 2.
2	<b>READ DTC.</b> <Ref. to AB(diag)-30, Read Diagnostic Trouble Code (DTC).>	Is DTC displayed?	Go to step 3.	Go to "Airbag Warning Light Failure". <Ref. to AB(diag)-33, Airbag Warning Light Failure.>
3	<b>PERFORM DIAGNOSIS.</b> 1) Judge the possible cause from "List of Diagnostic Trouble Code" <Ref. to AB(diag)-37, List of Diagnostic Trouble Code (DTC).>. 2) Inspect the DTC using "List of Diagnostic Trouble Code (DTC)". 3) Repair the trouble cause. 4) Perform the clear memory mode. <Ref. to AB(diag)-32, Clear Memory Mode.> 5) Perform the inspection mode. <Ref. to AB(diag)-31, Inspection Mode.> 6) Read any DTC again.	Is DTC displayed?	Perform the procedure 1) to 5) in step 3.	Finish the diagnosis.

# Check List for Interview

AIRBAG SYSTEM (DIAGNOSTICS)

## 2. Check List for Interview

### A: CHECK

Customer's Name		Inspector's Name	
Date Vehicle Brought In	/ /	Registration No.	
Odometer Reading	km miles	V.I.N.	
Date Problem Occurred	/ /	Registration Year	/ /
Weather	<input type="checkbox"/> Fine <input type="checkbox"/> Cloudy <input type="checkbox"/> Rainy <input type="checkbox"/> Snowy <input type="checkbox"/> Other:		
Temperature	°C (°F)		
Road Condition	<input type="checkbox"/> Level road <input type="checkbox"/> Uphill <input type="checkbox"/> Downhill <input type="checkbox"/> Rough road <input type="checkbox"/> Others:		
Vehicle Operation	<input type="checkbox"/> Starting <input type="checkbox"/> Idling <input type="checkbox"/> Driving ( <input type="checkbox"/> Constant speed <input type="checkbox"/> Acceleration <input type="checkbox"/> Deceleration <input type="checkbox"/> Steering wheel turn <input type="checkbox"/> Others:    )		
Details of Problem			
Check Airbag Warning Light	<input type="checkbox"/> Normal (After turning the ignition switch to ON, lit for 6 seconds and goes off.) <input type="checkbox"/> Remains ON <input type="checkbox"/> Remains OFF		
DTC output	<input type="checkbox"/> Normal Code <input type="checkbox"/> DTC: (Code:    )		

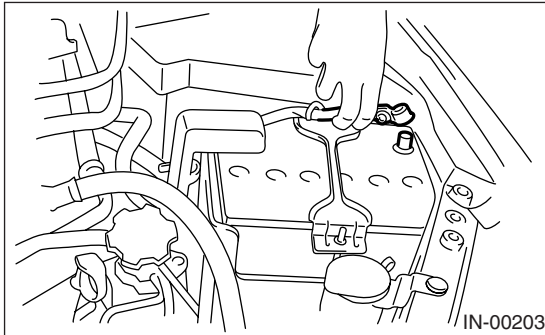
# General Description

## AIRBAG SYSTEM (DIAGNOSTICS)

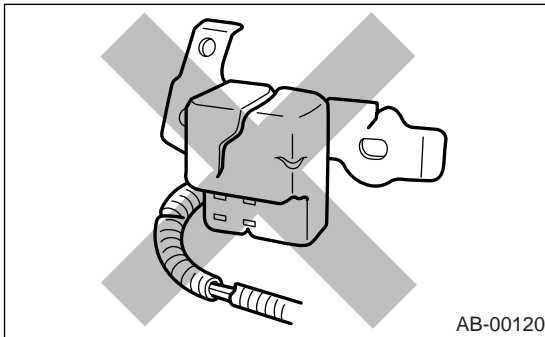
### 3. General Description

#### A: CAUTION

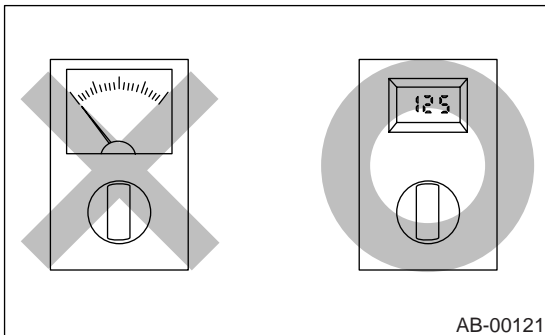
- When servicing a vehicle, be sure to turn the ignition switch to OFF, disconnect the ground cable from battery, and wait for more than 20 seconds before starting work.
- The airbag system is equipped with a backup power source. If the airbag system is serviced within 20 seconds from the ground cable is disconnected, it may inflate.



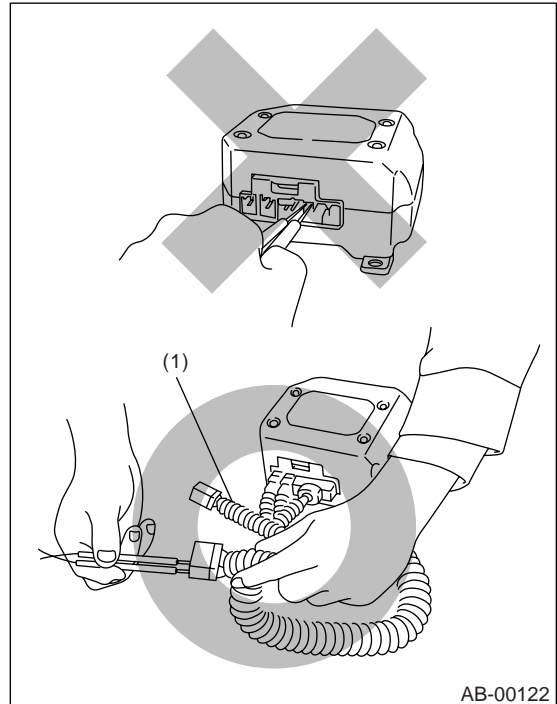
- If sensors, airbag module, airbag control module, pretensioner and harness are deformed or damaged, replace them with new parts.



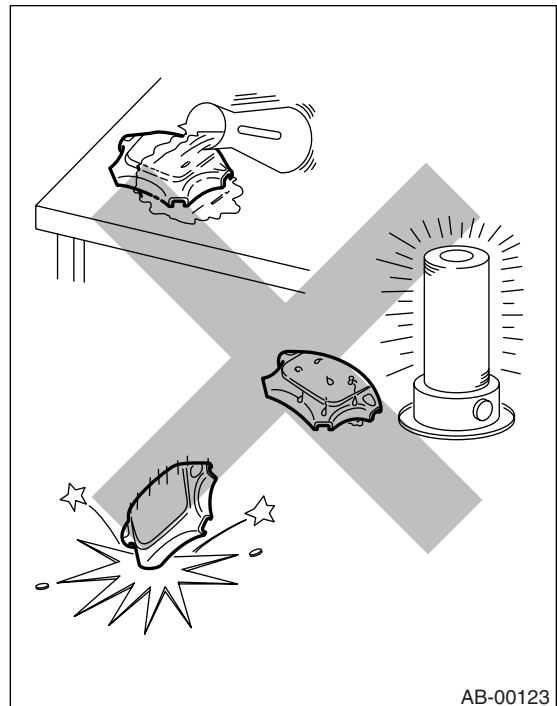
- Do not use the airbag system and pretensioners on other vehicles. When replacing parts, be sure to replace them with new ones.
- When checking the airbag system, be sure to use a digital circuit tester. Use of an analog circuit tester may cause the airbag to activate erroneously.



- When checking, use a test harness (1). Do not directly apply the tester probe to any connector terminal of the airbag.

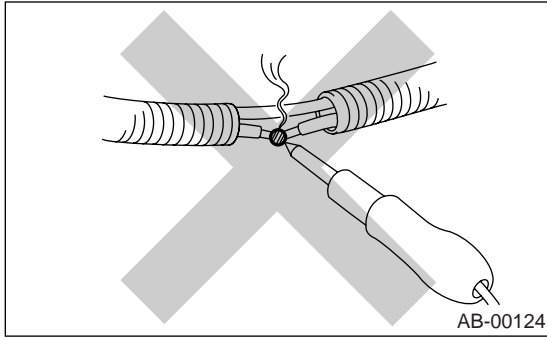


- Do not drop the airbag module, subject them to high temperature over 93°C (199°F), or let water, oil or grease get on them; the internal parts may be damaged and reliability is greatly lowered.

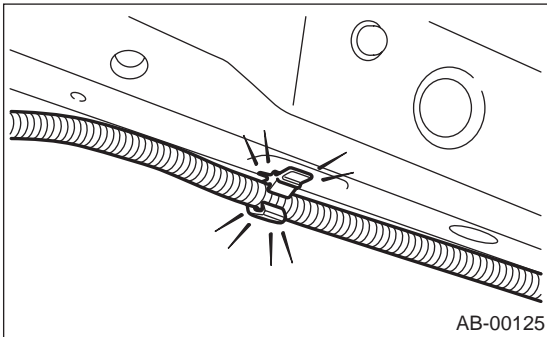


# General Description

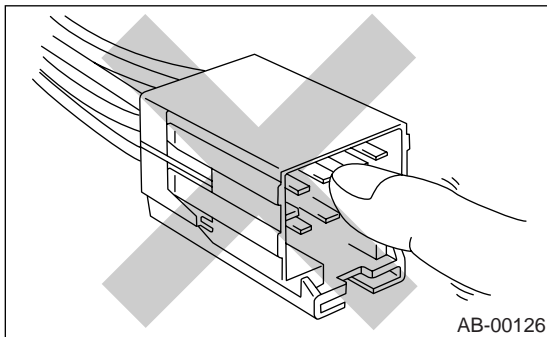
- If any damage, opening or rust is found on the airbag system wire harness, do not attempt to repair using soldering equipment. Be sure to replace the faulty harness with a new genuine part.



- Install the wire harness securely with the specified clips to avoid interference or tangled up with other parts.

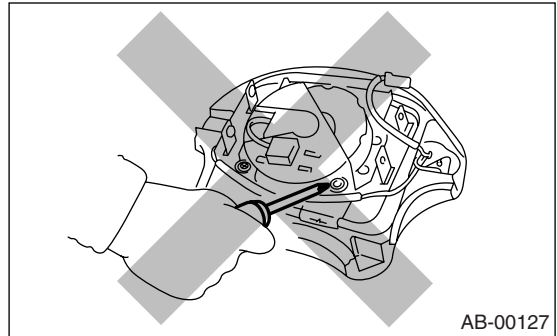


- Do not allow water or oil to come in contact with the connector terminals. Do not touch the connector terminals.

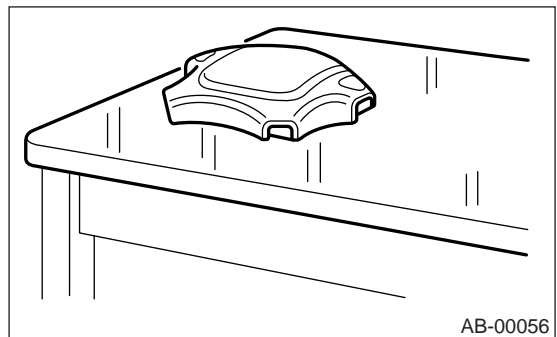


- Either of the airbag modules for driver, passenger, side or curtain, or pretensioner must not be disassembled.

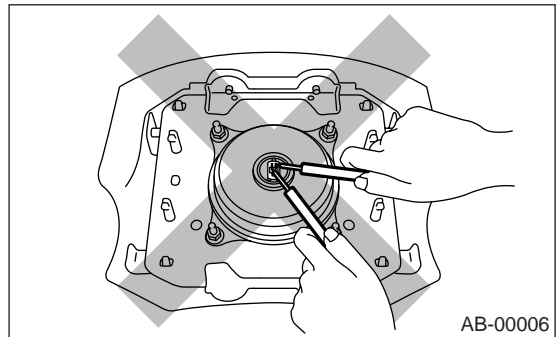
- The airbag module cannot be used again if once deployed.



- After removal, keep the airbag module with the pad facing upward on a dry, clean and flat surface away from heat, light sources, moisture and dust.



- Do not check continuity of either of the airbag modules for driver, passenger, side or curtain, or pretensioner.

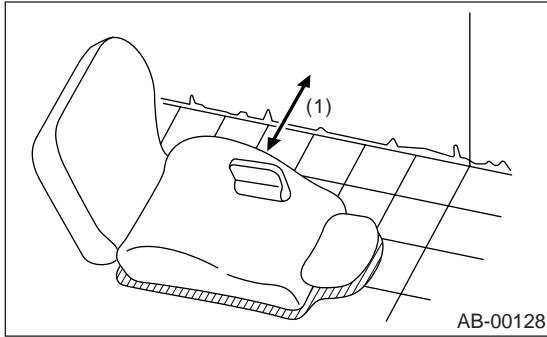


## General Description

### AIRBAG SYSTEM (DIAGNOSTICS)

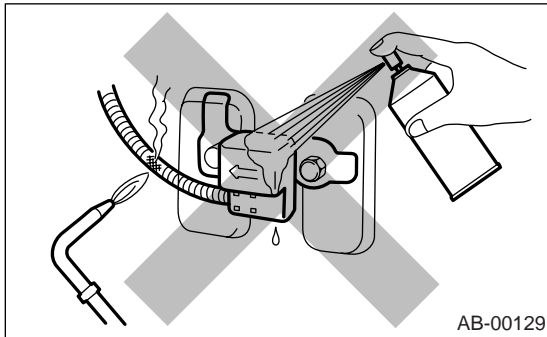
---

- The removed front seat with an airbag module must be kept at least 200 mm (8 in) away from walls and other objects.



(1) 200 mm (8 in) or more

- When painting or performing sheet metal work on the front part of the vehicle, including the front wheel apron, front fender and front side frame, remove the front sub sensors and wire harness of the airbag system.
- When painting or performing sheet metal work on the side of the vehicle, including the side sill, center pillar and front and rear doors, remove the side airbag sensors and wire harness of the airbag system.



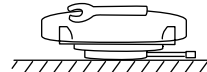
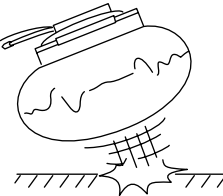
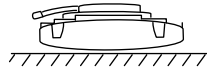
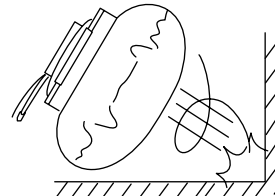
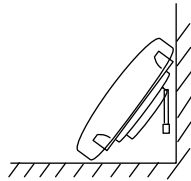
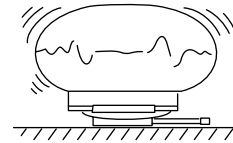
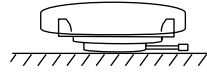
- Do not discard undeployed airbag modules. They could easily cause a serious accident if accidentally deployed.



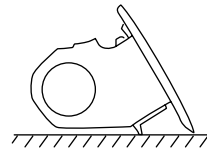
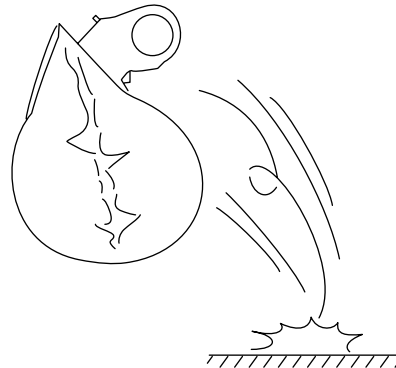
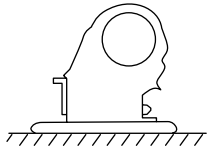
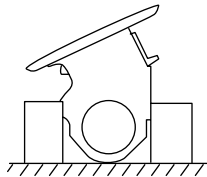
# General Description

- When storing a removed airbag module, do not place any objects on it or pile airbag modules on top of each other. If the airbag inflates for some reason when it is placed with its pad side facing downward or under any object, a serious accident may result.

(1)



(2)



AB-00130

(1) Driver's airbag module

(2) Passenger's airbag module

# General Description

AIRBAG SYSTEM (DIAGNOSTICS)

## B: INSPECTION

Measure the battery voltage and check electrolyte.

**Standard voltage: 12 V**

**Specific gravity: Above 1.260**

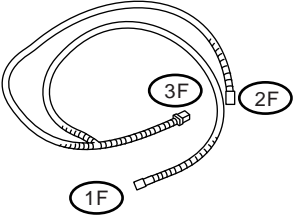
## C: PREPARATION TOOL

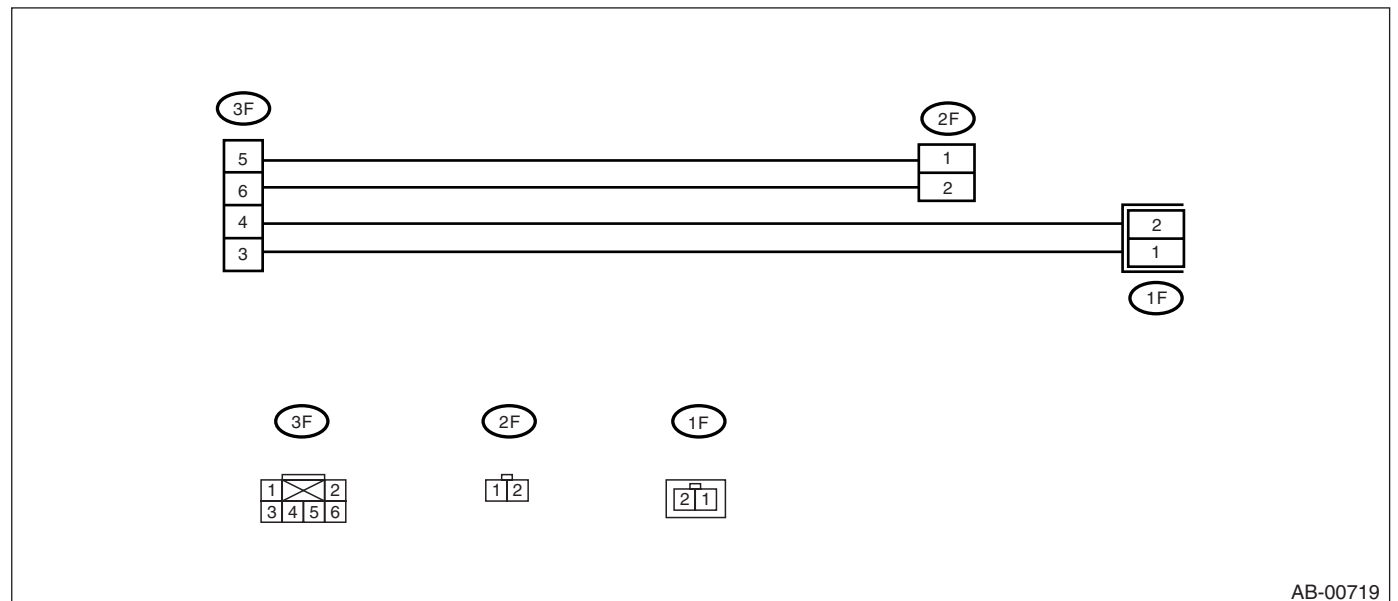
### CAUTION:

To check the voltage and resistance of airbag system component, be sure to use the specified test harness.

### 1. SPECIAL TOOL

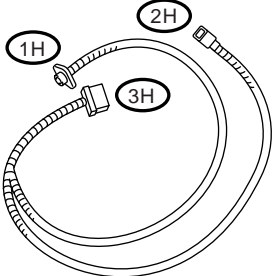
- TEST HARNESS F

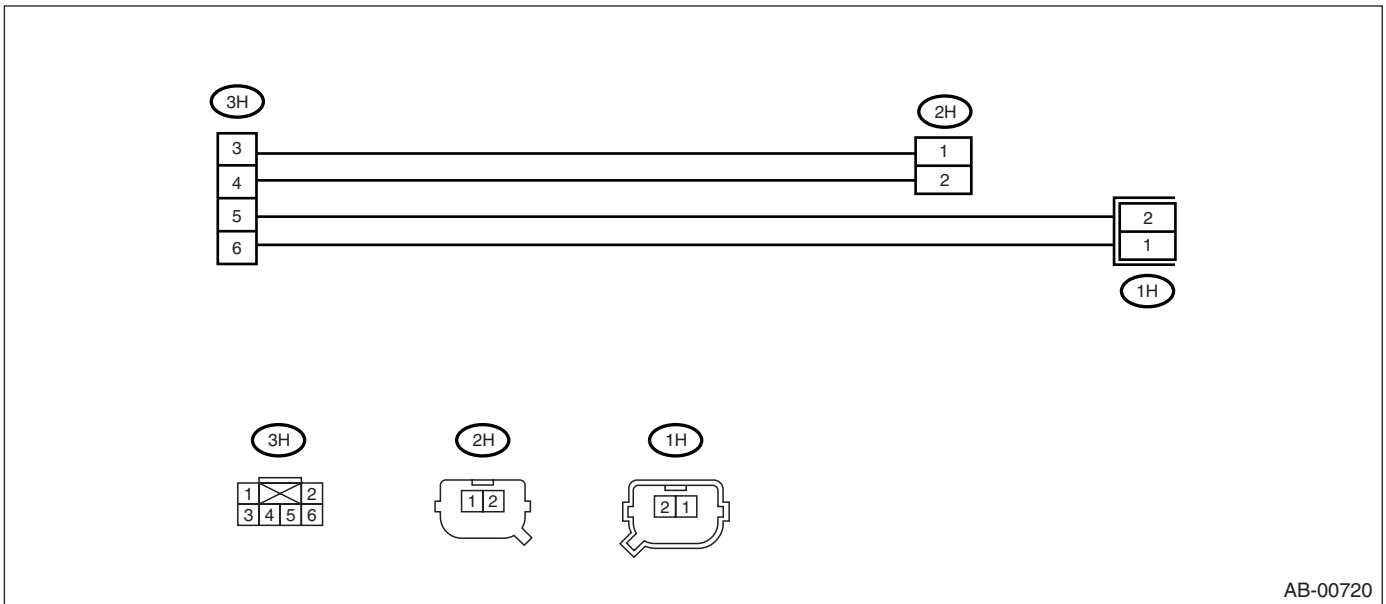
ILLUSTRATION	TOOL NUMBER	DESCRIPTION	REMARKS
 <p>ST98299FC010</p>	98299FC010	TEST HARNESS F	Used when measuring voltage and resistance of airbag module harnesses.



# General Description

- TEST HARNESS H

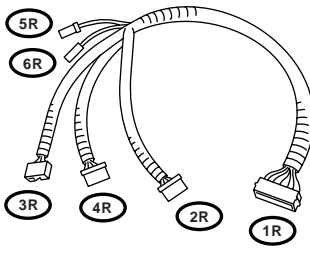
ILLUSTRATION	TOOL NUMBER	DESCRIPTION	REMARKS
 <p>ST98299FA030</p>	98299FA030	TEST HARNESS H	Used when measuring voltage and resistance of front sub-sensor.

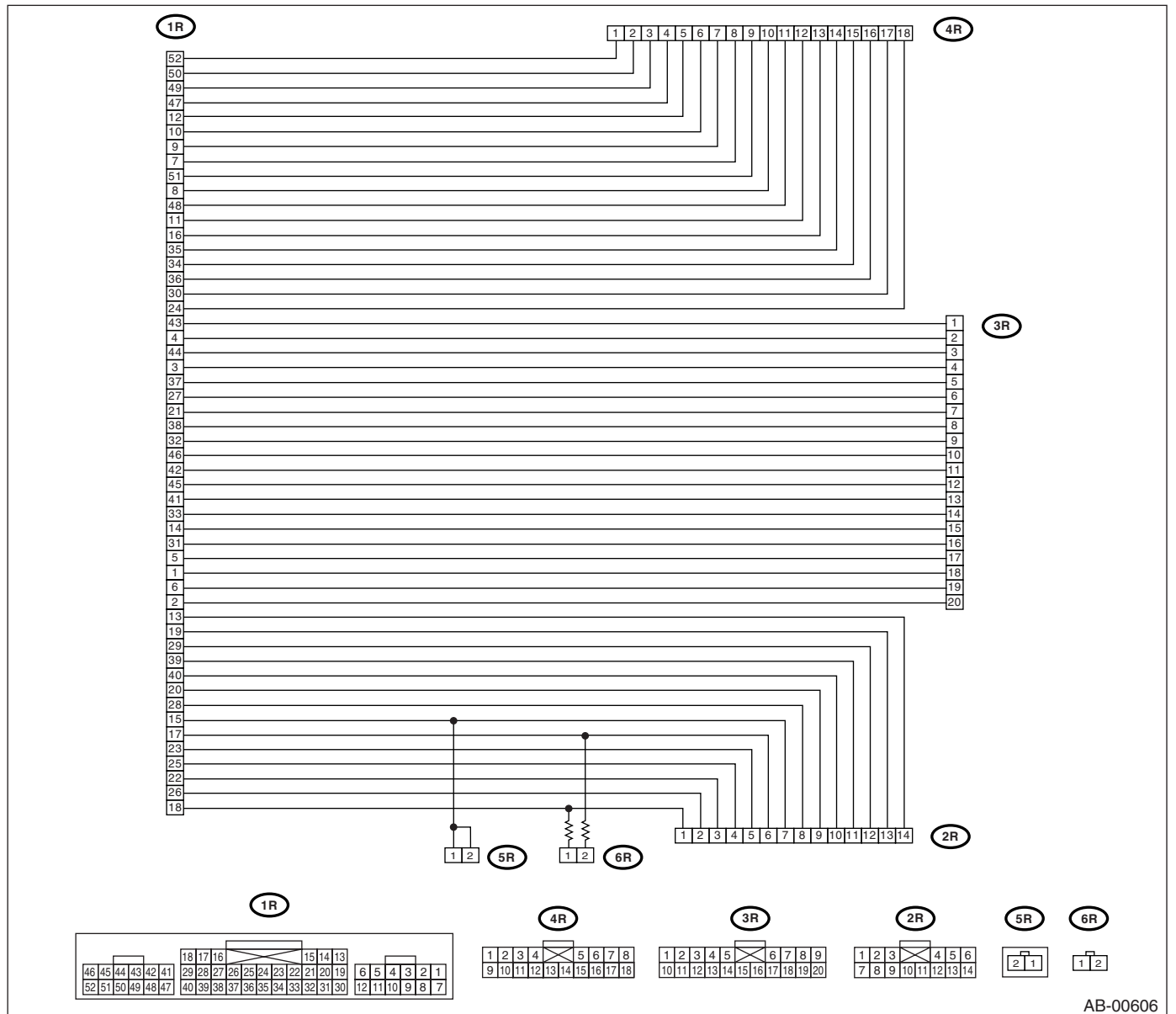


# General Description

## AIRBAG SYSTEM (DIAGNOSTICS)

### • TEST HARNESS R

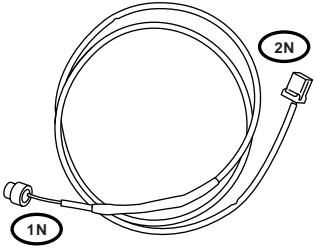
ILLUSTRATION	TOOL NUMBER	DESCRIPTION	REMARKS
 <p>ST98299FE030</p>	98299FE030	TEST HARNESS R	Used when measuring voltage and resistance of airbag control module.

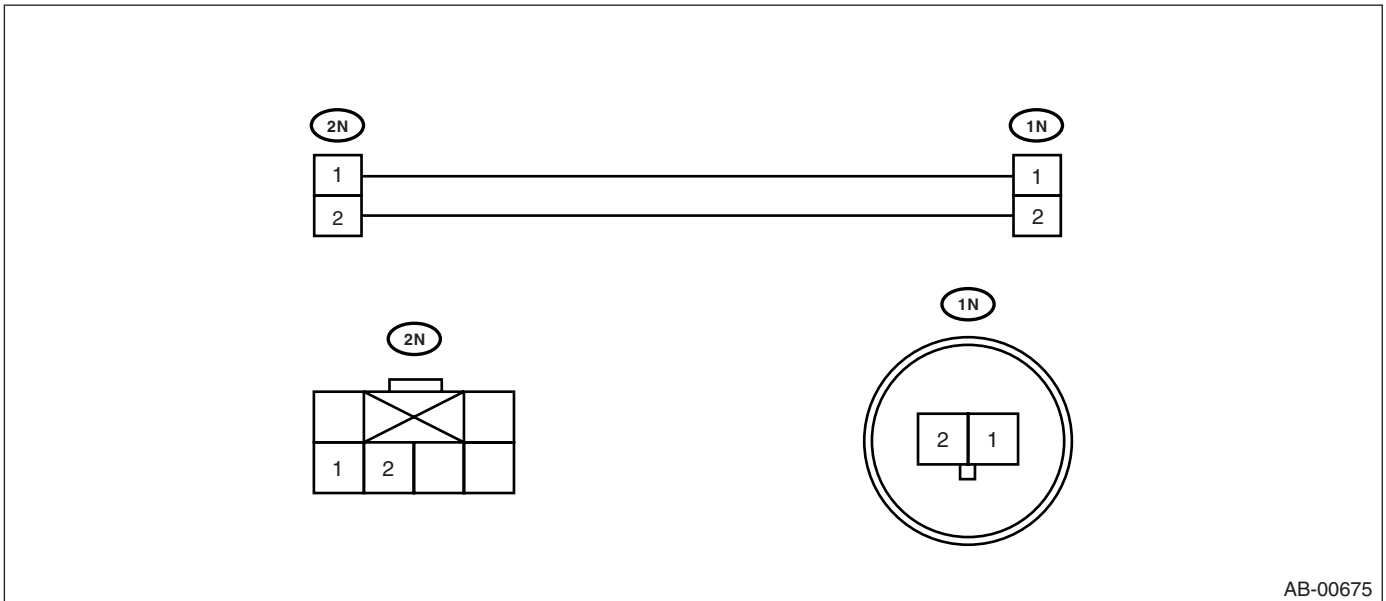


AB-00606

# General Description

- TEST HARNESS N

ILLUSTRATION	TOOL NUMBER	DESCRIPTION	REMARKS
 <p>ST98299SA000</p>	98299SA000	TEST HARNESS N	Used when measuring voltage and resistance of driver's airbag module and seat belt pretensioner.

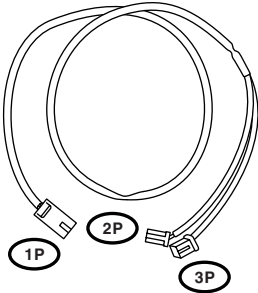


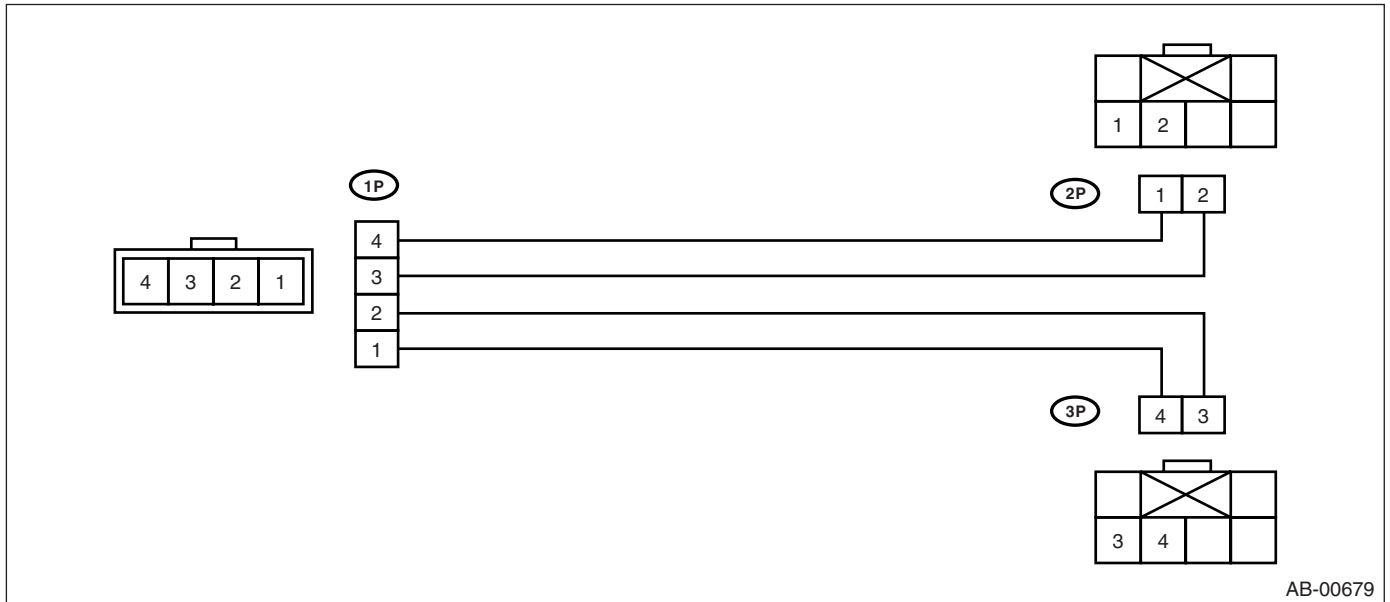
AB-00675

# General Description

## AIRBAG SYSTEM (DIAGNOSTICS)

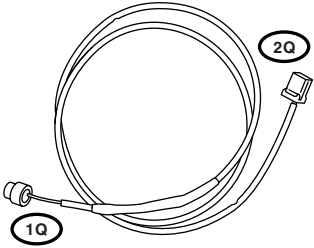
- TEST HARNESS P

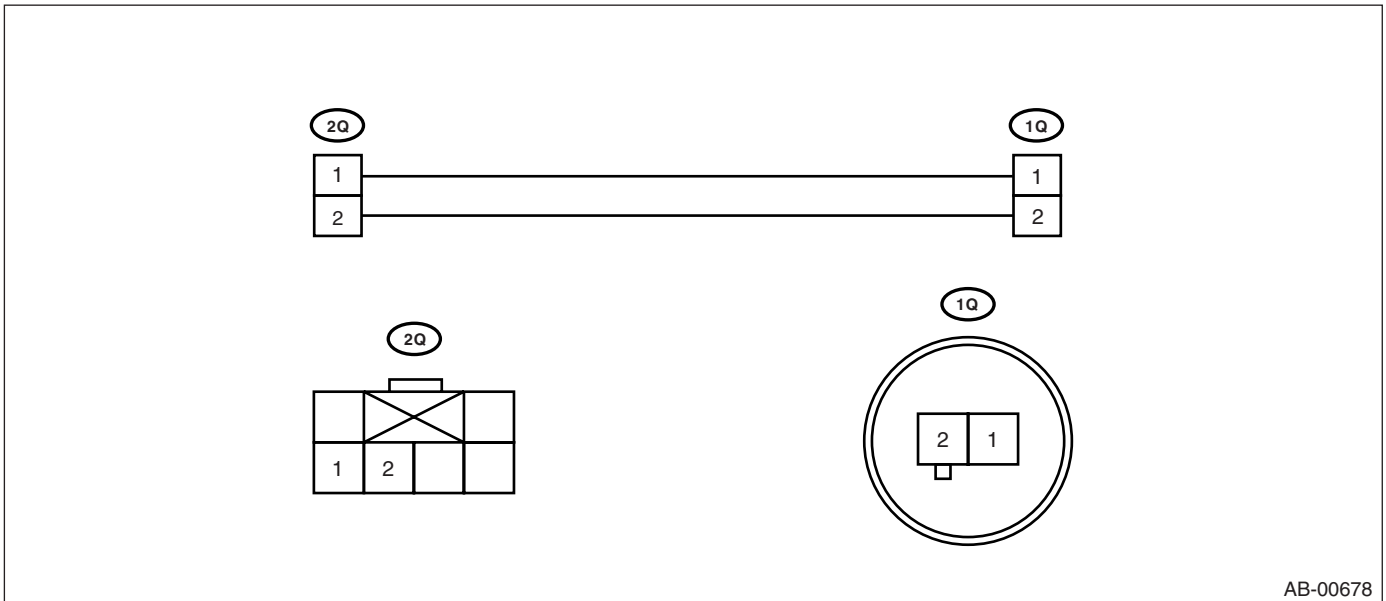
ILLUSTRATION	TOOL NUMBER	DESCRIPTION	REMARKS
 <p data-bbox="326 583 467 604">ST98299SA020</p>	98299SA020	TEST HARNESS P	Used when measuring voltage and resistance of driver's airbag module harness and passenger airbag module harness.



# General Description

- TEST HARNESS Q

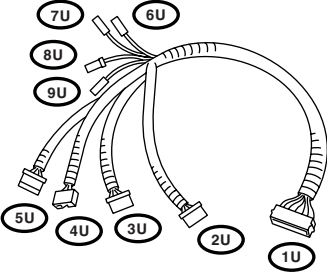
ILLUSTRATION	TOOL NUMBER	DESCRIPTION	REMARKS
 <p data-bbox="326 583 467 602">ST98299SA040</p>	98299SA040	TEST HARNESS Q	Used when measuring voltage and resistance of driver's airbag module.



# General Description

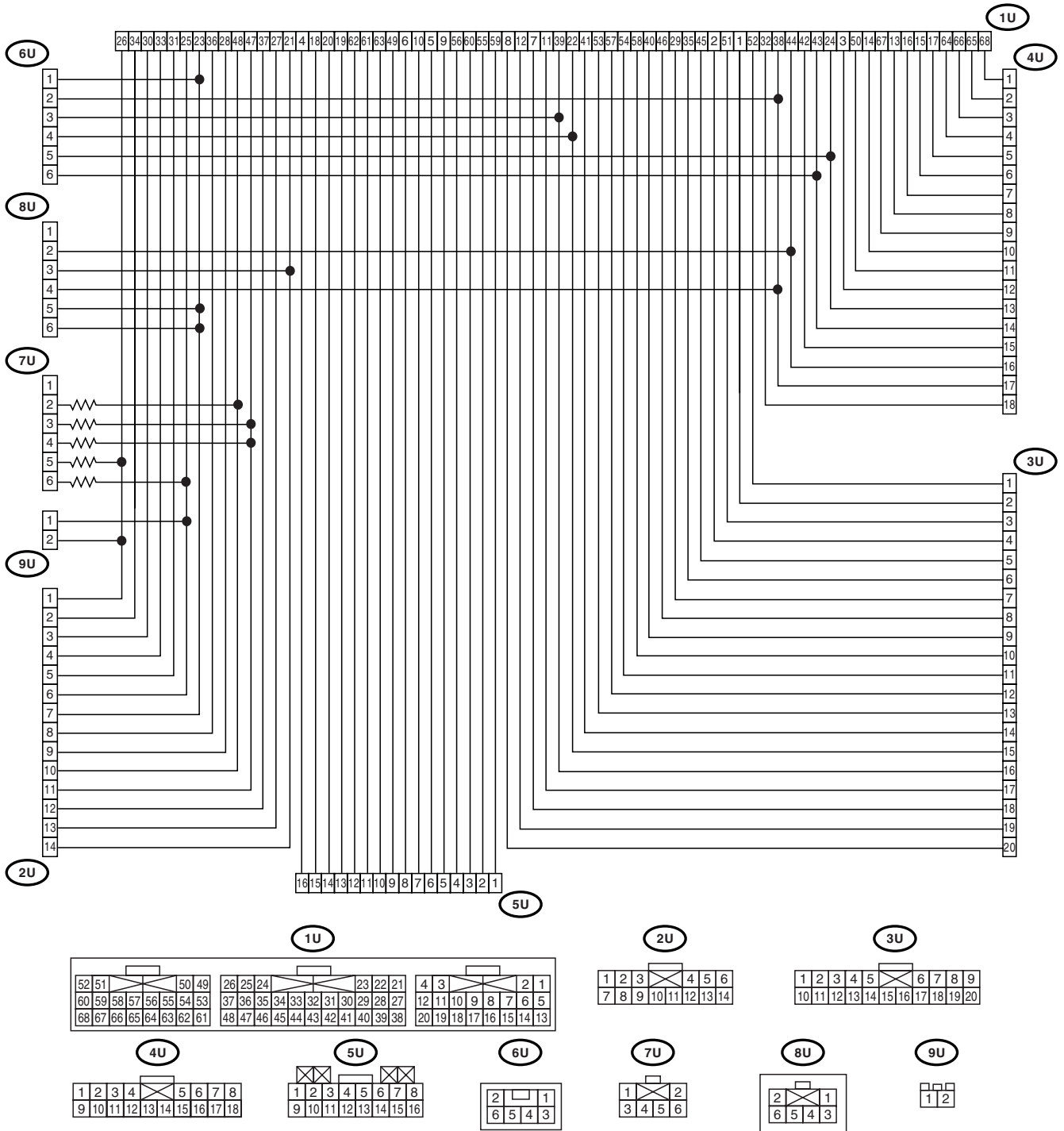
## AIRBAG SYSTEM (DIAGNOSTICS)

- TEST HARNESS U

ILLUSTRATION	TOOL NUMBER	DESCRIPTION	REMARKS
 <p>ST98299AG000</p>	98299AG000	TEST HARNESS U	Used when measuring voltage and resistance of airbag control module.



# General Description

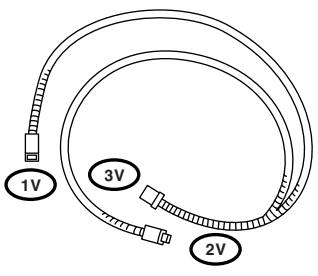


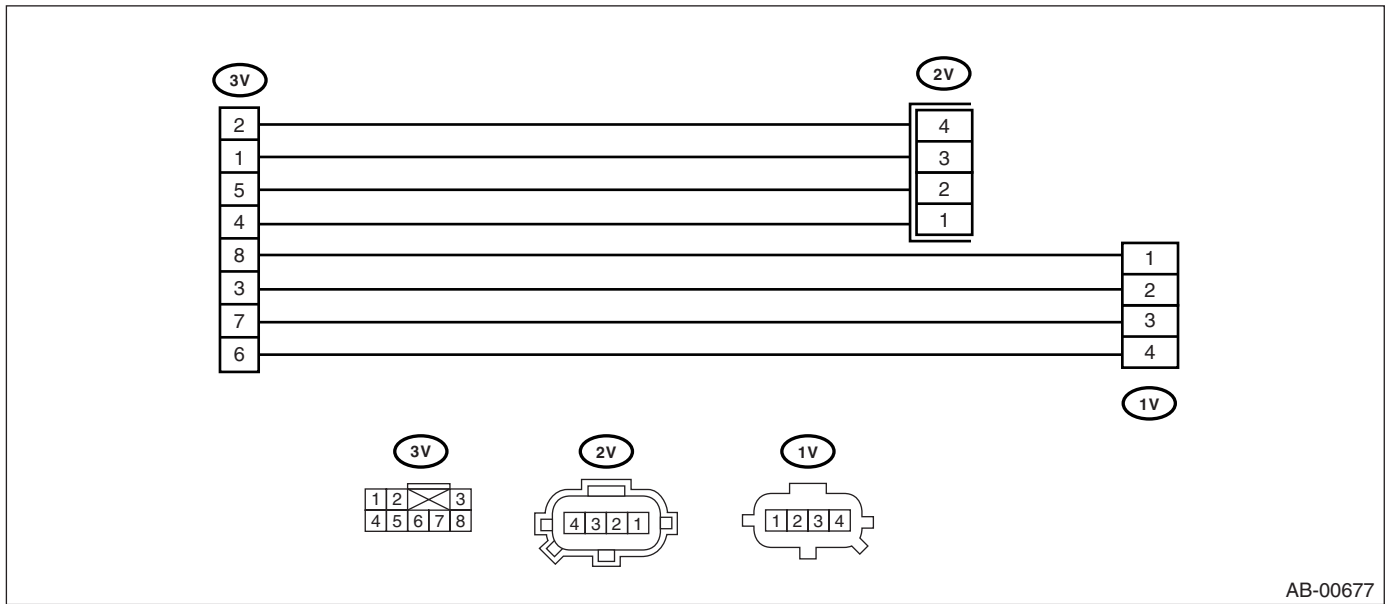
AB-00676

# General Description

## AIRBAG SYSTEM (DIAGNOSTICS)

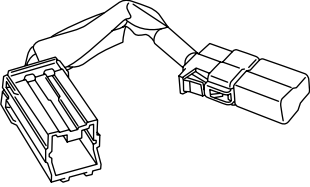
- TEST HARNESS V

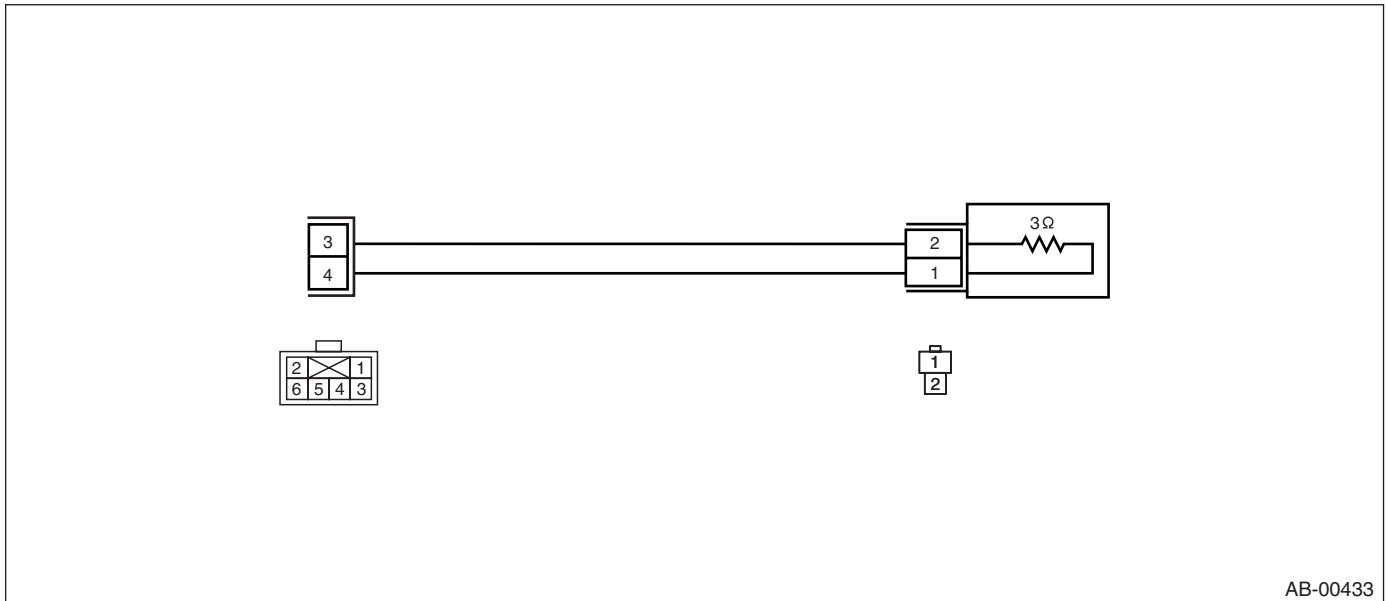
ILLUSTRATION	TOOL NUMBER	DESCRIPTION	REMARKS
 <p>ST98299AG010</p>	98299AG010	TEST HARNESS V	Used when measuring voltage and resistance of side airbag sensor and curtain airbag sensor.



# General Description

- AIRBAG RESISTOR

ILLUSTRATION	TOOL NUMBER	DESCRIPTION	REMARKS
 <p data-bbox="329 583 467 602">ST98299PA040</p>	98299PA040	AIRBAG RESISTOR	Used in replacement of airbag module for which resistance value is same as airbag module.



AB-00433

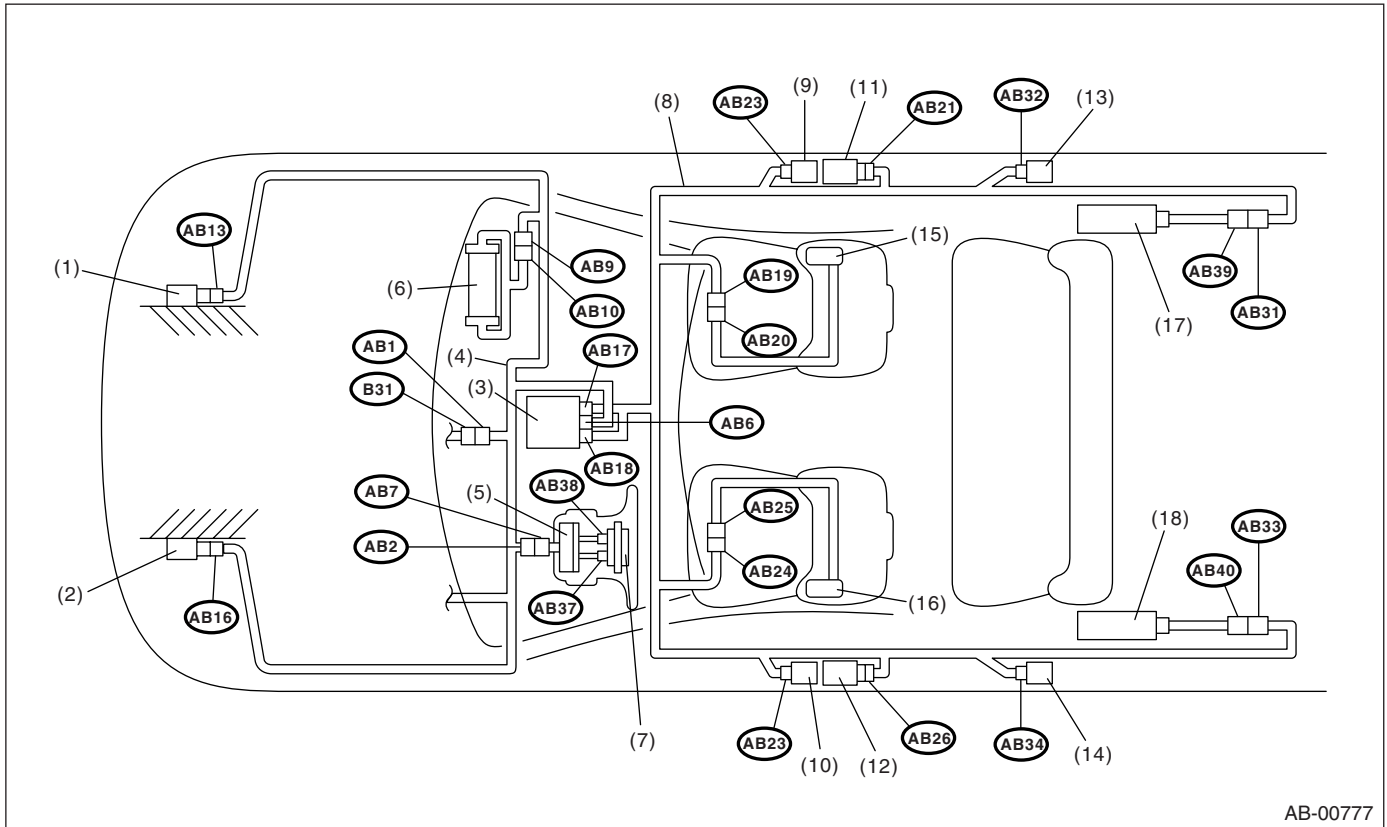
# Electrical Component Location

## AIRBAG SYSTEM (DIAGNOSTICS)

### 4. Electrical Component Location

#### A: LOCATION

##### 1. LHD MODEL



- |  |                                  |                                   |
|--|----------------------------------|-----------------------------------|
| (1) Front sub-sensor (RH)  | (7) Driver's airbag inflator     | (13) Curtain airbag sensor (RH)   |
| (2) Front sub-sensor (LH)  | (8) Airbag rear harness          | (14) Curtain airbag sensor (LH)   |
| (3) Airbag control module with built-in safing and electric sensor | (9) Side airbag sensor (RH)      | (15) Side airbag inflator (RH)    |
| (4) Airbag main harness  | (10) Side airbag sensor (LH)     | (16) Side airbag inflator (LH)    |
| (5) Roll connector   | (11) Seat belt pretensioner (RH) | (17) Curtain airbag inflator (RH) |
| (6) Passenger's airbag inflator                                    | (12) Seat belt pretensioner (LH) | (18) Curtain airbag inflator (LH) |

# Electrical Component Location

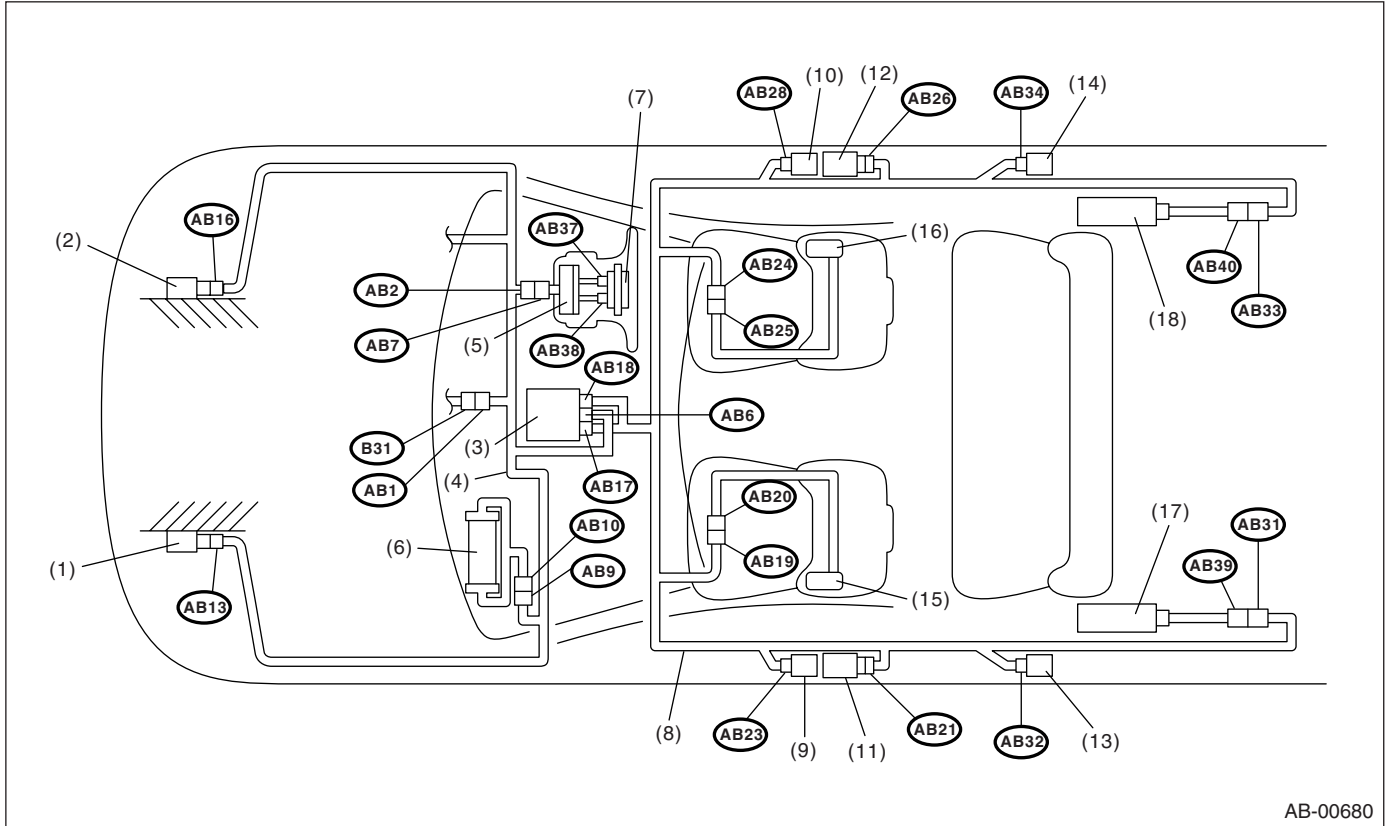
AIRBAG SYSTEM (DIAGNOSTICS)

Connector No.	(AB1)	(AB2)	(AB7)	(AB9)	(AB10)	(AB13)	(AB16)	(AB17)	(AB18)	(AB19)	(AB20)	(AB21)
Pin	6	4	4	4	4	2	2	20	20	2	2	2
Color	Yellow	Yellow	Yellow	Yellow	Yellow	Yellow	Yellow	Yellow	Yellow	Yellow	Yellow	Black
Male/Female	Female	Female	Male	Female	Male	Female	Female	Male	Male	Female	Male	Female
Connector No.	(AB23)	(AB24)	(AB25)	(AB26)	(AB28)	(AB31)	(AB32)	(AB33)	(AB34)	(AB37)	(AB38)	(AB39)
Pin	4	2	2	2	4	2	4	2	4	2	2	2
Color	Yellow	Yellow	Yellow	Black	Yellow	Yellow	Yellow	Yellow	Yellow	Orange	Black	Yellow
Male/Female	Female	Female	Male	Female	Female	Female	Female	Female	Female	Female	Female	Male
Connector No.	(AB40)											
Pin	2											
Color	Yellow											
Male/Female	Male											

# Electrical Component Location

## AIRBAG SYSTEM (DIAGNOSTICS)

### 2. RHD MODEL



- |  |                                  |                                   |
|--|----------------------------------|-----------------------------------|
| (1) Front sub-sensor (LH)  | (7) Driver's airbag inflator     | (13) Curtain airbag sensor (LH)   |
| (2) Front sub-sensor (RH)  | (8) Airbag rear harness          | (14) Curtain airbag sensor (RH)   |
| (3) Airbag control module with built-in safing and electric sensor | (9) Side airbag sensor (LH)      | (15) Side airbag inflator (LH)    |
| (4) Airbag main harness  | (10) Side airbag sensor (RH)     | (16) Side airbag inflator (RH)    |
| (5) Roll connector   | (11) Seat belt pretensioner (LH) | (17) Curtain airbag inflator (LH) |
| (6) Passenger's airbag inflator                                    | (12) Seat belt pretensioner (RH) | (18) Curtain airbag inflator (RH) |

# Electrical Component Location

AIRBAG SYSTEM (DIAGNOSTICS)

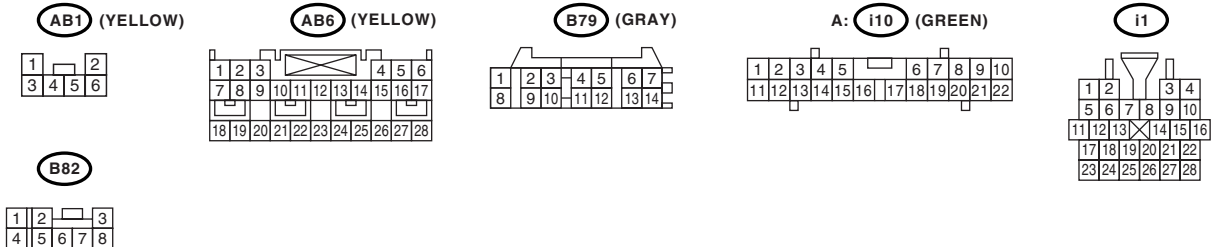
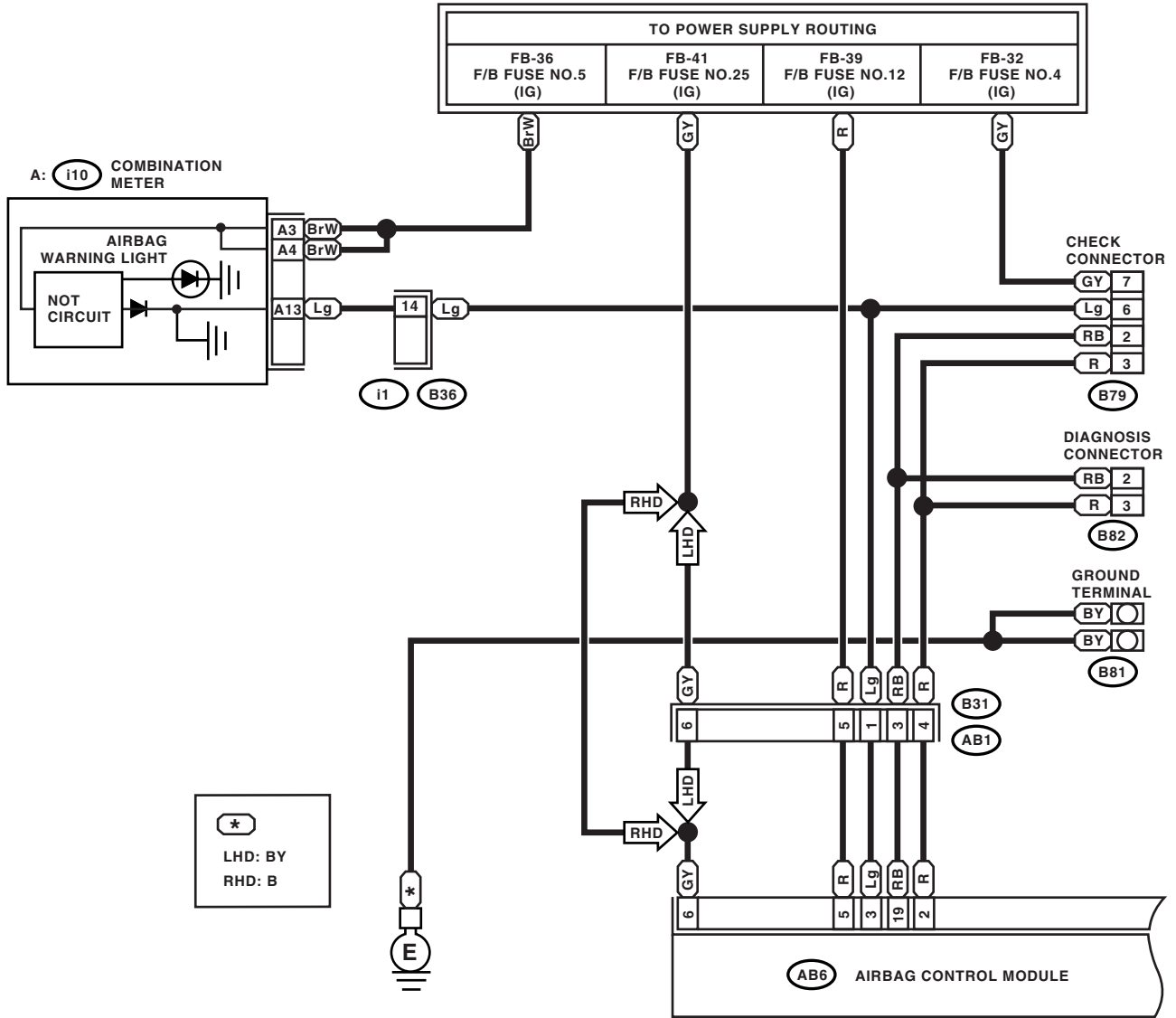
Connector No.	(AB1)	(AB2)	(AB7)	(AB9)	(AB10)	(AB13)	(AB16)	(AB17)	(AB18)	(AB19)	(AB20)	(AB21)
Pin	6	4	4	4	4	2	2	20	20	2	2	2
Color	Yellow	Yellow	Yellow	Yellow	Yellow	Yellow	Yellow	Yellow	Yellow	Yellow	Yellow	Black
Male/Female	Female	Female	Male	Female	Male	Female	Female	Male	Male	Female	Male	Female
Connector No.	(AB23)	(AB24)	(AB25)	(AB26)	(AB28)	(AB31)	(AB32)	(AB33)	(AB34)	(AB37)	(AB38)	(AB39)
Pin	4	2	2	2	4	2	4	2	4	2	2	2
Color	Yellow	Yellow	Yellow	Black	Yellow	Yellow	Yellow	Yellow	Yellow	Orange	Black	Yellow
Male/Female	Female	Female	Male	Female	Female	Female	Female	Female	Female	Female	Female	Male
Connector No.	(AB40)											
Pin	2											
Color	Yellow											
Male/Female	Male											

# Airbag Control Module I/O Signal

AIRBAG SYSTEM (DIAGNOSTICS)

## 5. Airbag Control Module I/O Signal

### A: WIRING DIAGRAM

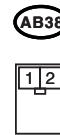
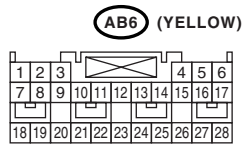
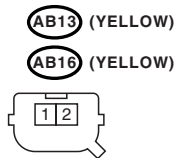
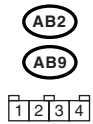
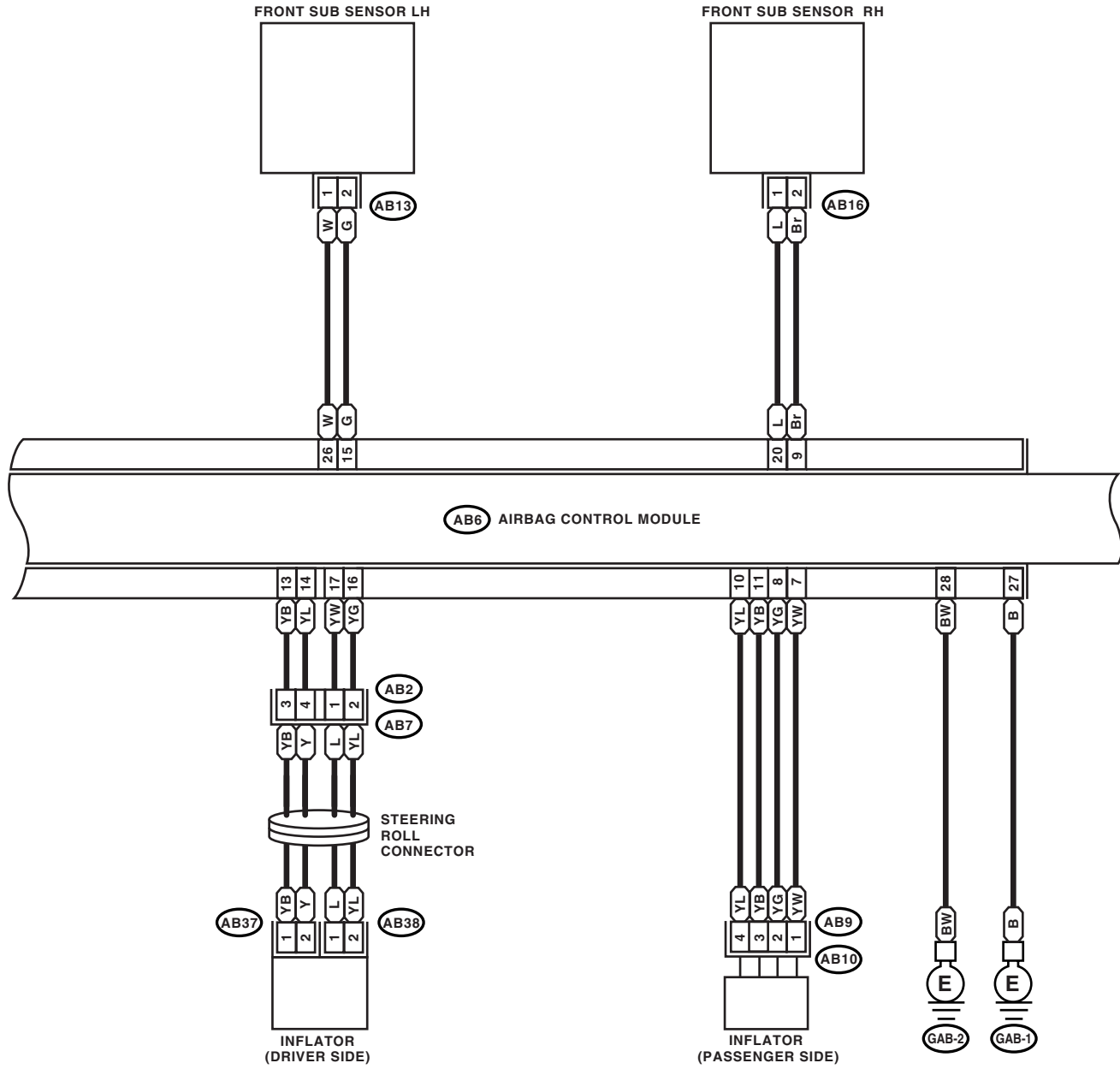


AB-00769



# Airbag Control Module I/O Signal

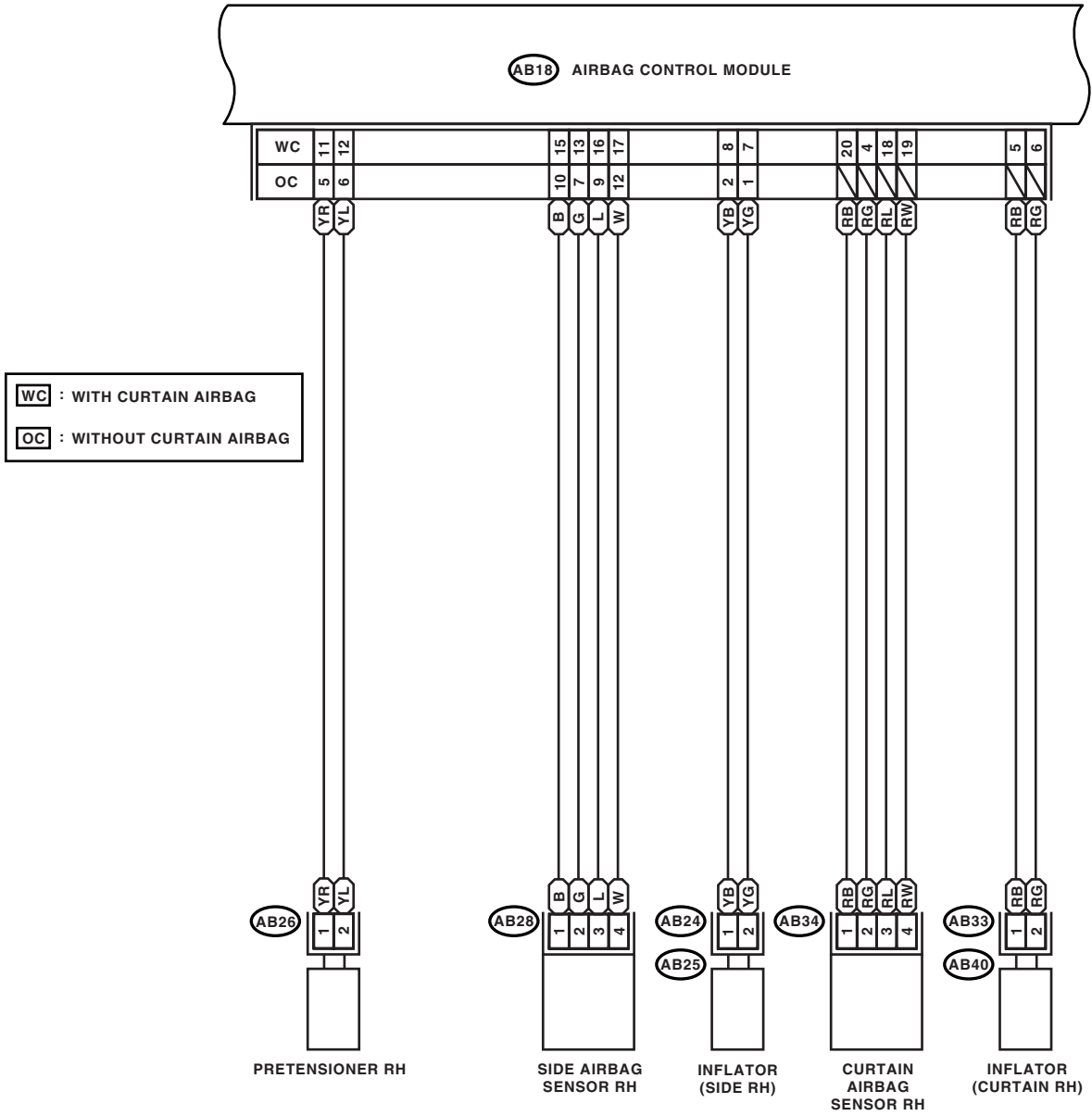
AIRBAG SYSTEM (DIAGNOSTICS)



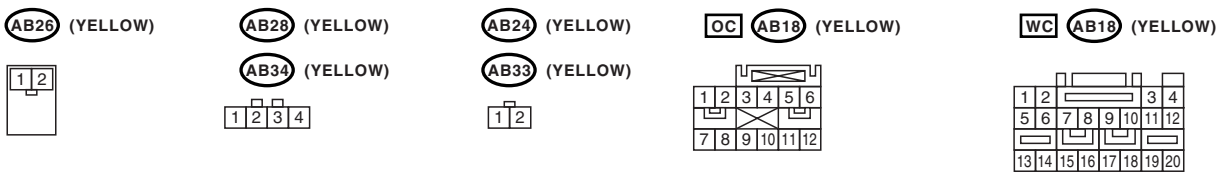
AB-00770

# Airbag Control Module I/O Signal

AIRBAG SYSTEM (DIAGNOSTICS)



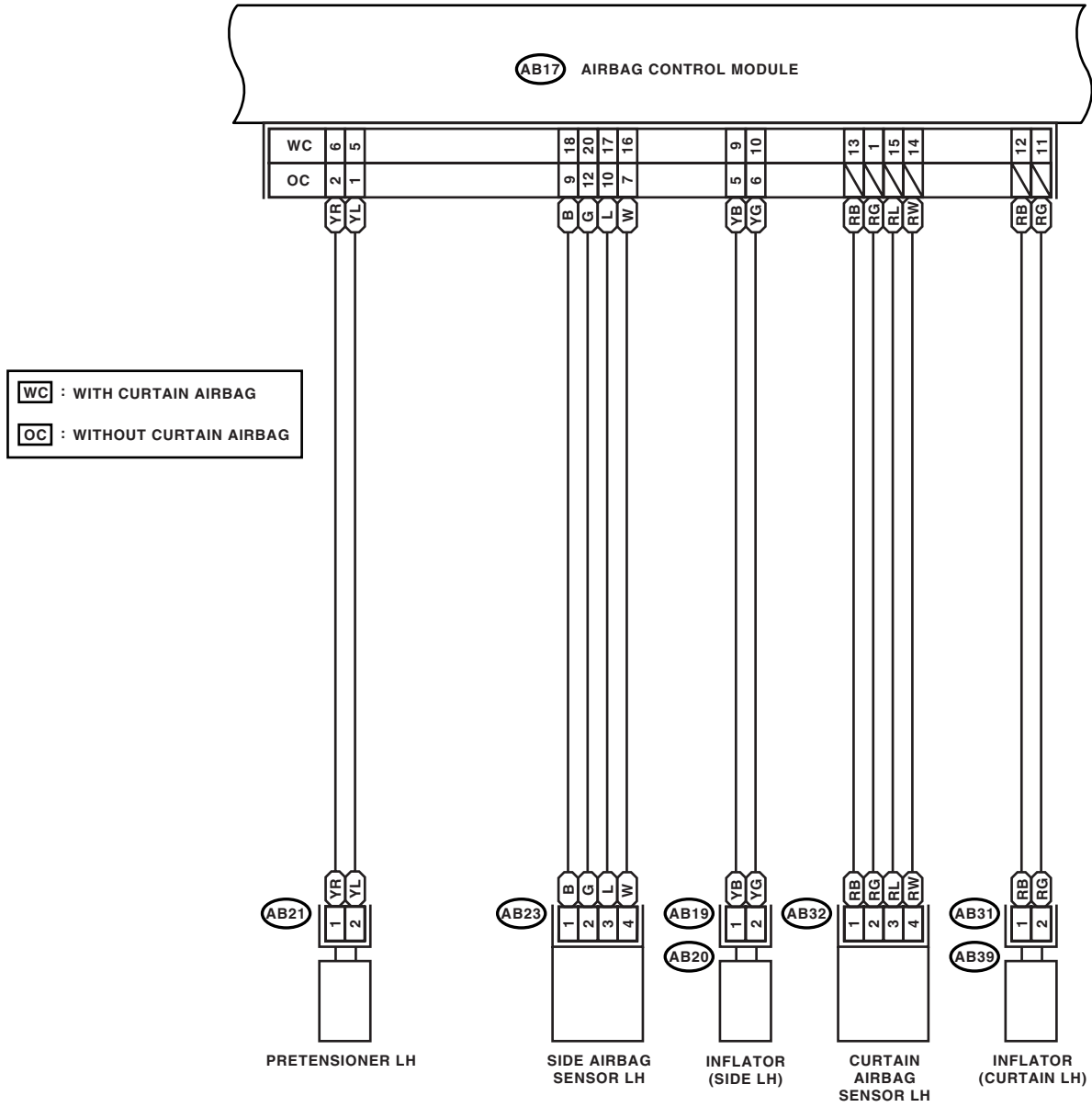
WC : WITH CURTAIN AIRBAG  
 OC : WITHOUT CURTAIN AIRBAG



AB-00771

# Airbag Control Module I/O Signal

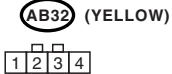
AIRBAG SYSTEM (DIAGNOSTICS)



AB21 (YELLOW)



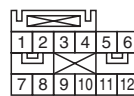
AB23 (YELLOW)



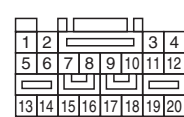
AB19 (YELLOW)



OC AB17 (YELLOW)



WC AB17 (YELLOW)



AB-00772

# Airbag Connector

AIRBAG SYSTEM (DIAGNOSTICS)

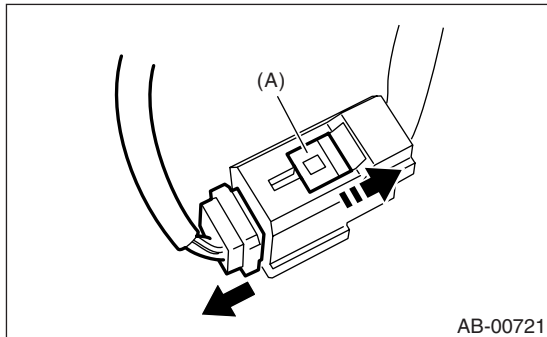
## 6. Airbag Connector

### A: PROCEDURE

#### 1. POWER SUPPLY

1) How to disconnect:

- (1) Move the slide lock (A) in the direction of arrow.
- (2) With the slide lock (A) moved, separate the connector.

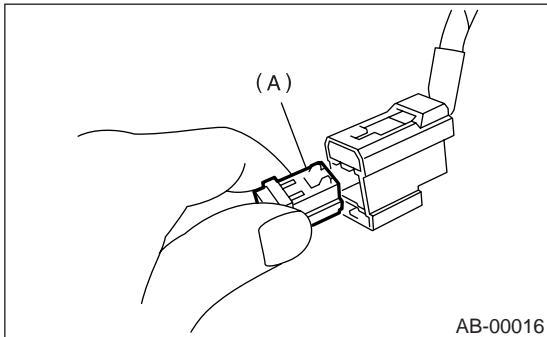


#### CAUTION:

When pulling the slide lock or disconnecting the connector, be sure to hold onto the connector and not the wire.

2) How to connect:

Holding the connector (A), and push it in carefully until a connecting sound is heard.



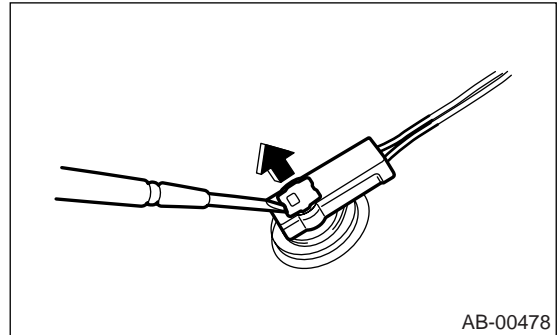
#### CAUTION:

Be sure to insert the connector in until it locks. Then pull on it gently to make sure that it is locked.

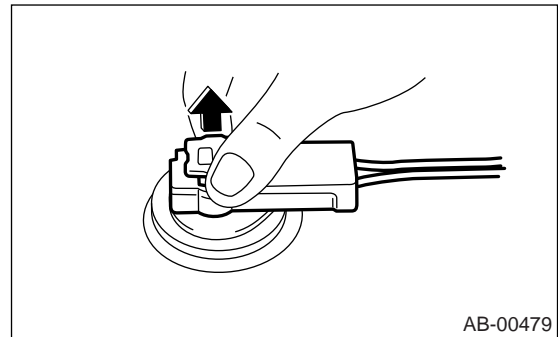
#### 2. DRIVER'S AIRBAG MODULE AND PRE-TENSIONER

1) How to disconnect:

- (1) Using a flat tip screwdriver, pry the push lock upward to unlock.



- (2) Pull the connector to disconnect from driver's side airbag module assembly or retractor assembly.

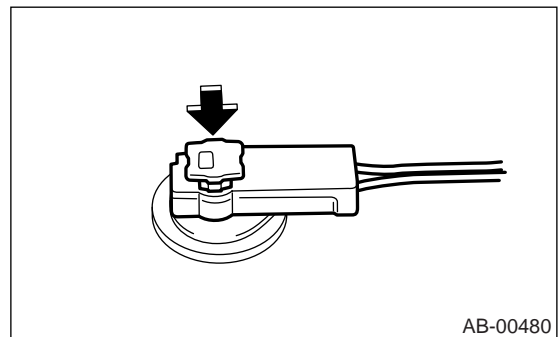


2) How to connect:

Connect the connector in the reverse order of disconnecting. At this time, be sure to insert the push lock until a connecting sound is heard.

#### CAUTION:

- Be sure to insert the connector in until it locks. Then pull it gently to make sure that it is locked.
- Be sure to push the push lock in securely.



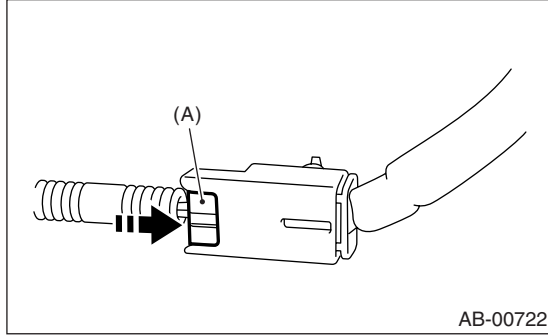
#### NOTE:

Connector can not be connected when the push lock is in lock position. To connect the connector, set the push lock to unlock.

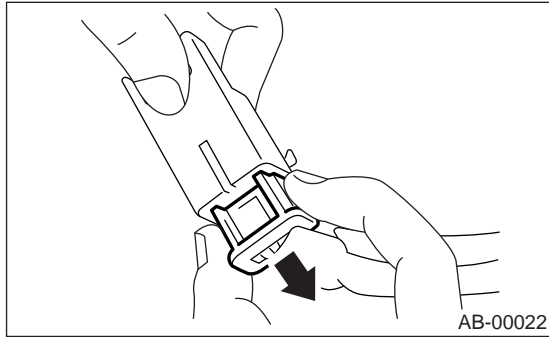
### 3. DRIVER'S AIRBAG (BETWEEN AIRBAG MAIN HARNESS AND ROLL CONNECTOR), PASSENGER'S AIRBAG

1) How to disconnect:

- (1) Push the slide lock (A) into the direction of arrow.



- (2) With the slide lock pushed, separate the connector.



**CAUTION:**

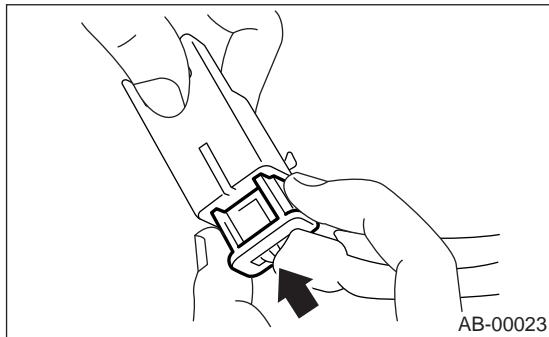
Be sure to hold onto the connector and not wire when pulling the slide lock or disconnecting the connector.

2) How to connect:

Holding the connector, push it in carefully until a connecting sound is heard.

**CAUTION:**

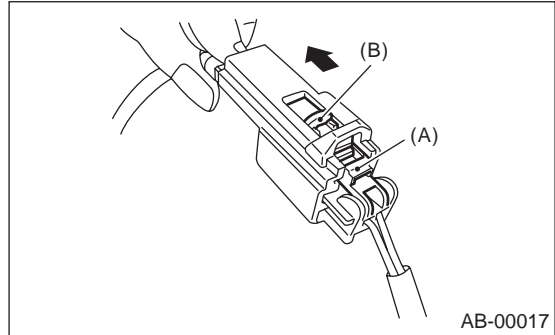
Be sure to insert the connector in until it locks. Then pull it gently to make sure that it is locked.



### 4. SIDE AIRBAG AND CURTAIN AIRBAG

1) How to disconnect:

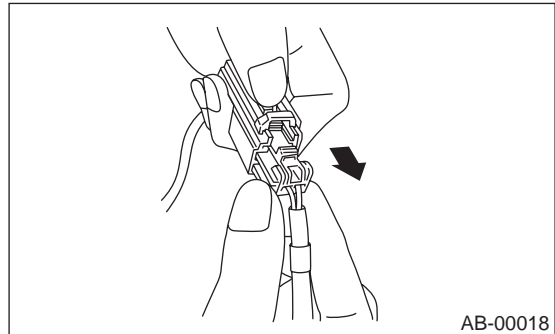
- (1) Push the lock arm (A).
- (2) With the lock arm (A) pushed in, move the slide lock (B) in the direction of arrow.



- (3) With the slide lock moved, release the lock arm (back to its original position), and disconnect the connector.

**CAUTION:**

Be sure to hold onto the connector and not wire when pulling the slide lock or disconnecting the connector.



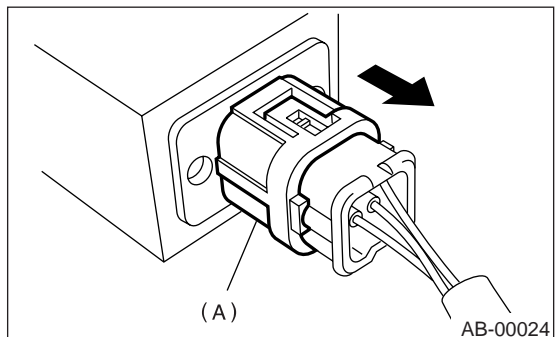
### 5. FRONT SUB-SENSOR, SIDE AIRBAG SENSOR AND CURTAIN AIRBAG SENSOR

1) How to disconnect:

Holding outer part (A), pull it in the direction of arrow.

**CAUTION:**

Be sure to hold onto the connector and not wire when pulling the slide lock or disconnecting the connector.



# Airbag Connector

## AIRBAG SYSTEM (DIAGNOSTICS)

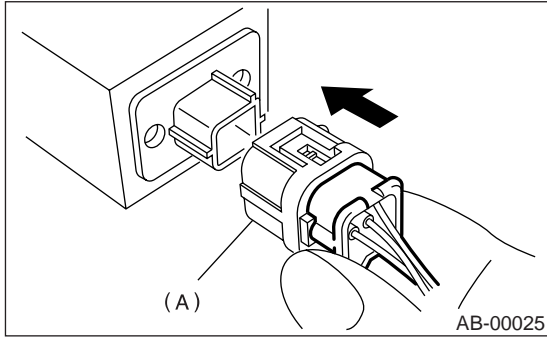
---

2) How to connect:

Holding the connector, and push it in carefully until a connecting sound is heard.

**CAUTION:**

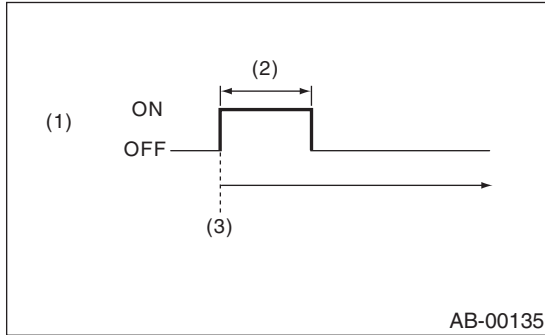
- Outer side (A) move back, and so do not put your hand on the outer part.
- Be sure to insert the connector in until it locks. Then pull it gently to make sure that it is locked.



## 7. Airbag Warning Light Illumination Pattern

### A: INSPECTION

Keep the ignition switch ON, and confirm that the airbag warning light remains off approx. 6 seconds after being turned on.



- (1) Airbag warning light
- (2) Approx. 6 sec.
- (3) Ignition switch (ON)

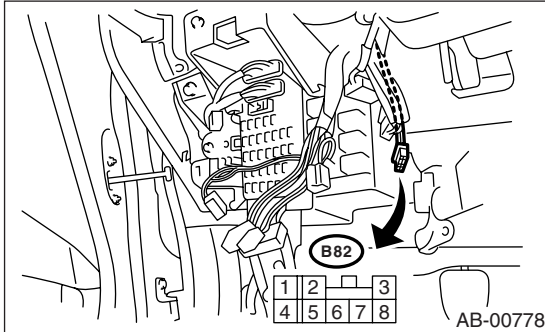
# Read Diagnostic Trouble Code (DTC)

## AIRBAG SYSTEM (DIAGNOSTICS)

### 8. Read Diagnostic Trouble Code (DTC)

#### A: OPERATION

- 1) Remove the instrument panel lower cover upper. <Ref. to EI-50, REMOVAL, Instrument Panel Lower Cover.>
- 2) Turn the ignition switch to ON.
- 3) Connect one of the ground terminals to the diagnosis connector terminal No. 2 in the instrument panel lower cover area.



#### NOTE:

The harness (yellow/black) of ground terminal is wrapped by tapes with the harness (red, red/black) of diagnosis connector.

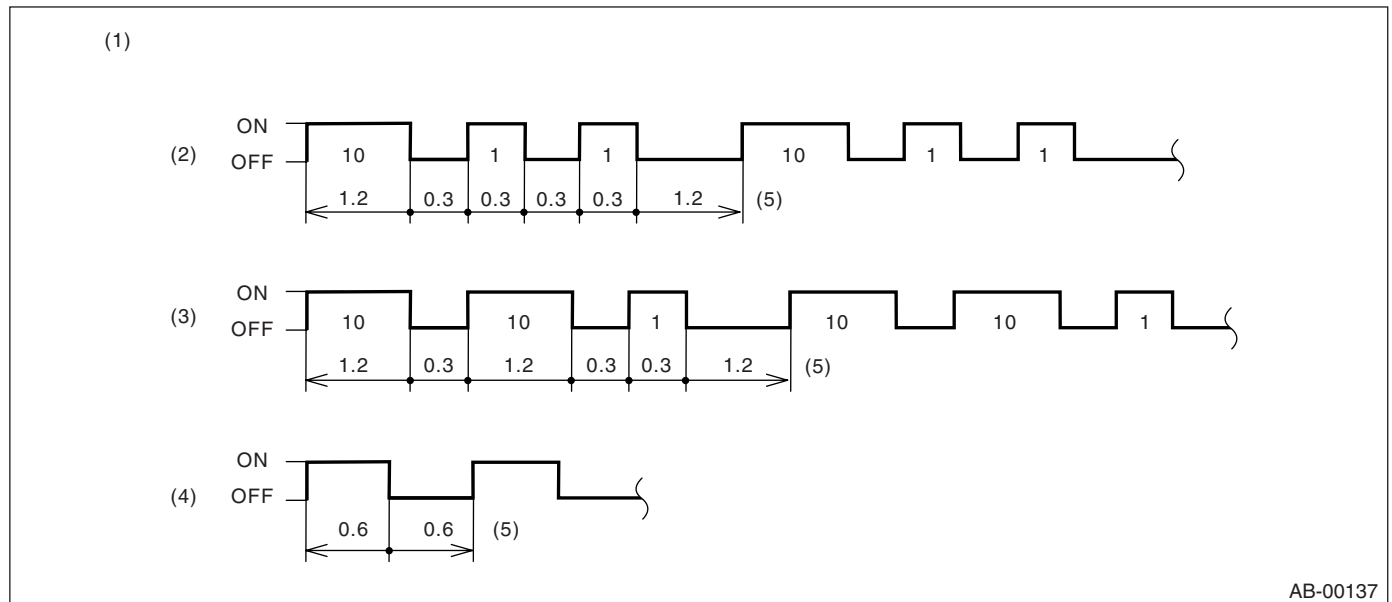
- 4) Read the DTC by identifying the way airbag warning light blinks.

The airbag warning light blinks a DTC corresponding to the faulty parts.

The long segment (1.2 sec. on) indicates a “ten”, and the short segment (0.3 sec. on) indicates a “one”.

#### NOTE:

- “List of Diagnostic Trouble Code (DTC)” <Ref. to AB(diag)-37, List of Diagnostic Trouble Code (DTC).>
- “Airbag Warning Light Failure” <Ref. to AB(diag)-33, Airbag Warning Light Failure.>



AB-00137

(1) For example

(3) Blinking code 21:

(5) Sec.

(2) Blinking code 12:

(4) Blinking normal code:

- 5) Turn the ignition switch to OFF, and disconnect the ground terminal from diagnosis connector terminal No. 2.

- 6) Wind the tape around the ground terminal and return it to its original position.



## 9. Inspection Mode

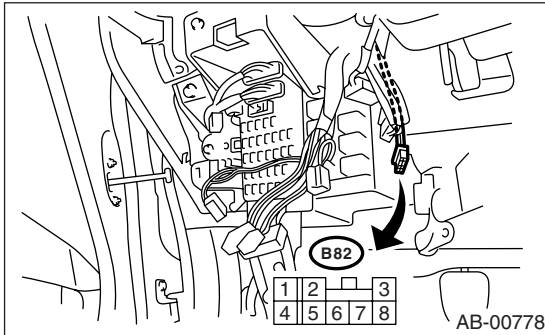
### A: PROCEDURE

Recreate the circumstance by referring to the conditions described in the checklist.

## 10. Clear Memory Mode

### A: OPERATION

- 1) Remove the instrument panel lower cover upper.  
<Ref. to EI-50, REMOVAL, Instrument Panel Lower Cover.>
- 2) Turn the ignition switch to ON.
- 3) Connect one of the ground terminals to the diagnosis connector terminal No. 2 in the instrument panel lower cover area.



- 4) While the warning light blinks, connect another diagnosis terminal to the diagnosis connector terminal No. 3.
- 5) Once the memory is erased, the warning light returns the normal blink pattern (0.6 sec. on). Failure to recover to the normal blink rate indicates that trouble parts still remain. Having repaired such parts, erase the memory again and confirm that the blink rate has returned to normal.
- 6) When the memory has been cleared, disconnect the diagnosis terminal from the diagnosis connector.
- 7) Wind the tape around the ground terminal and return it to its original position.

## Airbag Warning Light Failure

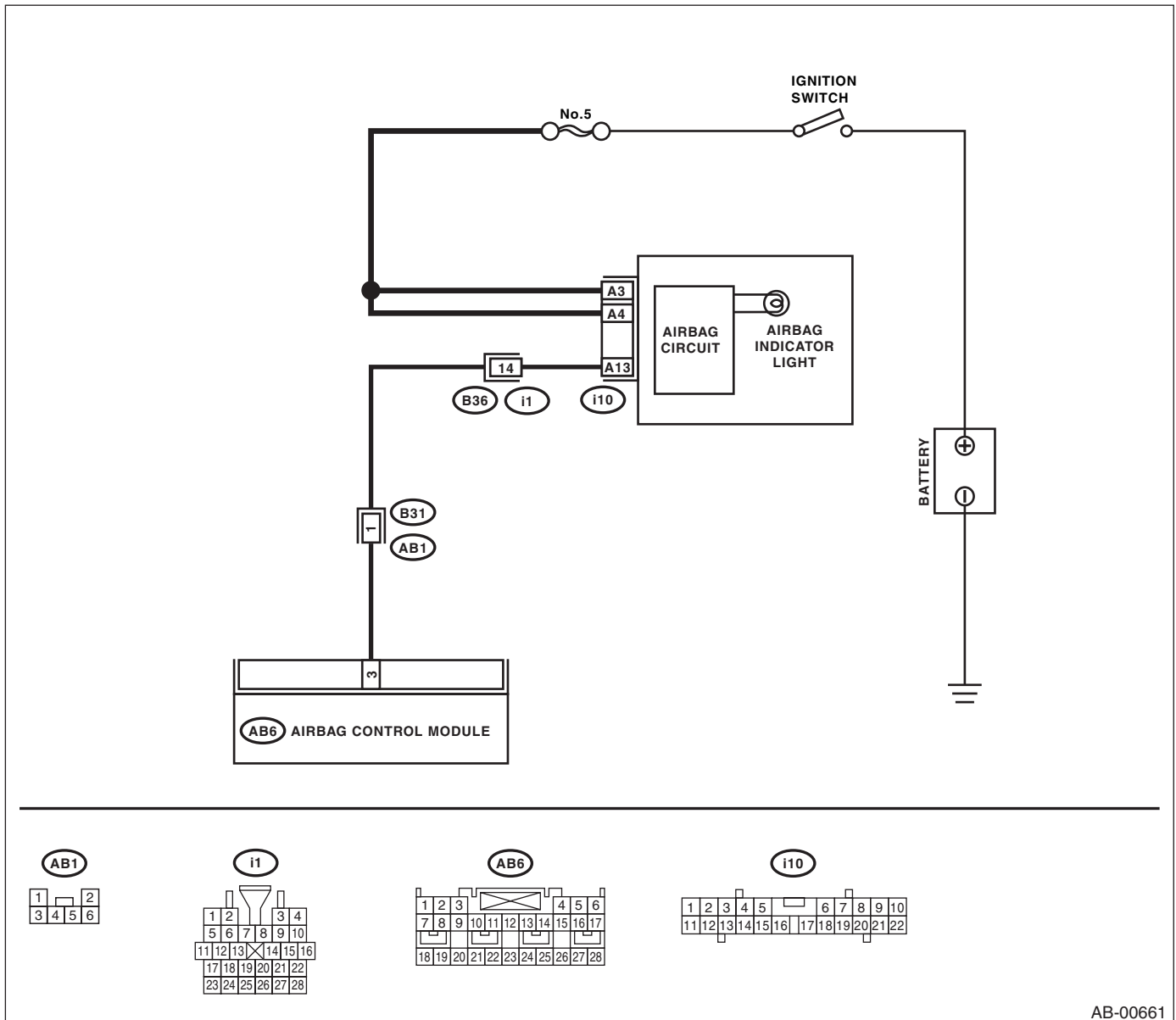
### A: AIRBAG WARNING LIGHT REMAINS ON DETECTING CONDITION:

- Airbag warning light failure
- Airbag control module to airbag warning light circuit is shorted or open.
- Grounding circuit is faulty.
- Airbag control module is faulty.
- (AB1) and (B31) are not connected properly.
- (AB6) is not connected properly to airbag control module.

### CAUTION:

- Before diagnosing the airbag system, be sure to turn the ignition switch OFF, disconnect the ground terminal from the battery, and wait more than 20 seconds before starting to work.
- Before replacing the airbag module, seat belt pretensioner, roll connector, control module and sensor, reconnect each part and confirm that the warning light operates properly.
- When inspecting the airbag main harness, disconnect the airbag module connector of the driver's and passenger's seats for safety reasons.

### WIRING DIAGRAM:



## Airbag Warning Light Failure

### AIRBAG SYSTEM (DIAGNOSTICS)

Step	Check	Yes	No
<b>1 CHECK POOR CONTACT.</b> 1) Turn the ignition switch OFF, disconnect the battery ground terminal, and wait more than 20 seconds. 2) Confirm that the firm contact is secured between the airbag control module and connector (AB6). <Ref. to AB-20, Airbag Control Module.>	Is there poor contact in connector (AB6)?	Replace the airbag main harness with body harness or replace the airbag control module. <Ref. to AB-20, Airbag Control Module.>	Go to step 2.
<b>2 CHECK AIRBAG MAIN HARNESS.</b> 1) Remove the instrument panel lower cover and disconnect the connector (AB7) and (AB2). 2) Remove the instrument panel side cover of passenger side and disconnect the connector (AB10) and (AB9). 3) Disconnect the connector (AB6) from airbag control module, and connect the connector (1U) in the test harness U. <Ref. to AB-20, Airbag Control Module.> 4) Connect the battery ground terminal and turn the ignition switch ON. 5) Connect the connectors (7U) and (8U) in the test harness U. NOTE: After problem has been eliminated, disconnect the connectors (7U) and (8U).	Does the airbag warning light go off?	Go to step 3.	Go to step 4.
<b>3 CHECK GROUND CIRCUIT.</b> 1) Turn the ignition switch OFF, disconnect the battery ground terminal, and wait more than 20 seconds. 2) Disconnect the connector (AB6) from airbag control module. 3) Connect the connector (1U) in the test harness U to body harness connector (AB6). 4) Measure the resistance between connector (2U) in the test harness U and chassis ground. <b>Connector &amp; terminal</b> <b>(2U) No. 10 — Chassis ground:</b> <b>(2U) No. 11 — Chassis ground:</b>	Is the resistance less than 10 $\Omega$ ?	Replace the airbag control module. <Ref. to AB-20, Airbag Control Module.>	Repair the chassis ground circuit.
<b>4 CHECK AIRBAG MAIN HARNESS AND BODY HARNESS.</b> 1) Disconnect the connector (7U) and (8U). 2) Remove the combination meter. 3) Measure the resistance between connector (i10) and connector (2U) in the test harness U. <b>Connector &amp; terminal</b> <b>(2U) No. 7 — (i10) No. 13:</b>	Is the resistance less than 10 $\Omega$ ?	Replace the combination meter printed circuit. <Ref. to IDI-16, Combination Meter Assembly.>	Go to step 5.
<b>5 CHECK POOR CONTACT IN CONNECTORS (AB1) AND (B31).</b> 1) Turn the ignition switch OFF, disconnect the battery ground terminal, and wait more than 20 seconds. 2) Confirm that firm contact is secured between connectors (AB1) and (B31).	Is there poor contact in connectors (AB1) and (B31)?	Repair the body harness or replace the airbag main harness with body harness.	Go to step 6.
<b>6 CHECK AIRBAG MAIN HARNESS.</b> Check the airbag main harness for abnormalities.	Is anything unusual to airbag main harness?	Replace the airbag main harness with body harness.	Repair the body harness.

# Airbag Warning Light Failure

AIRBAG SYSTEM (DIAGNOSTICS)

## B: AIRBAG WARNING LIGHT REMAINS OFF

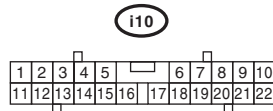
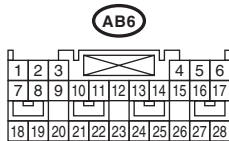
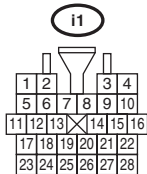
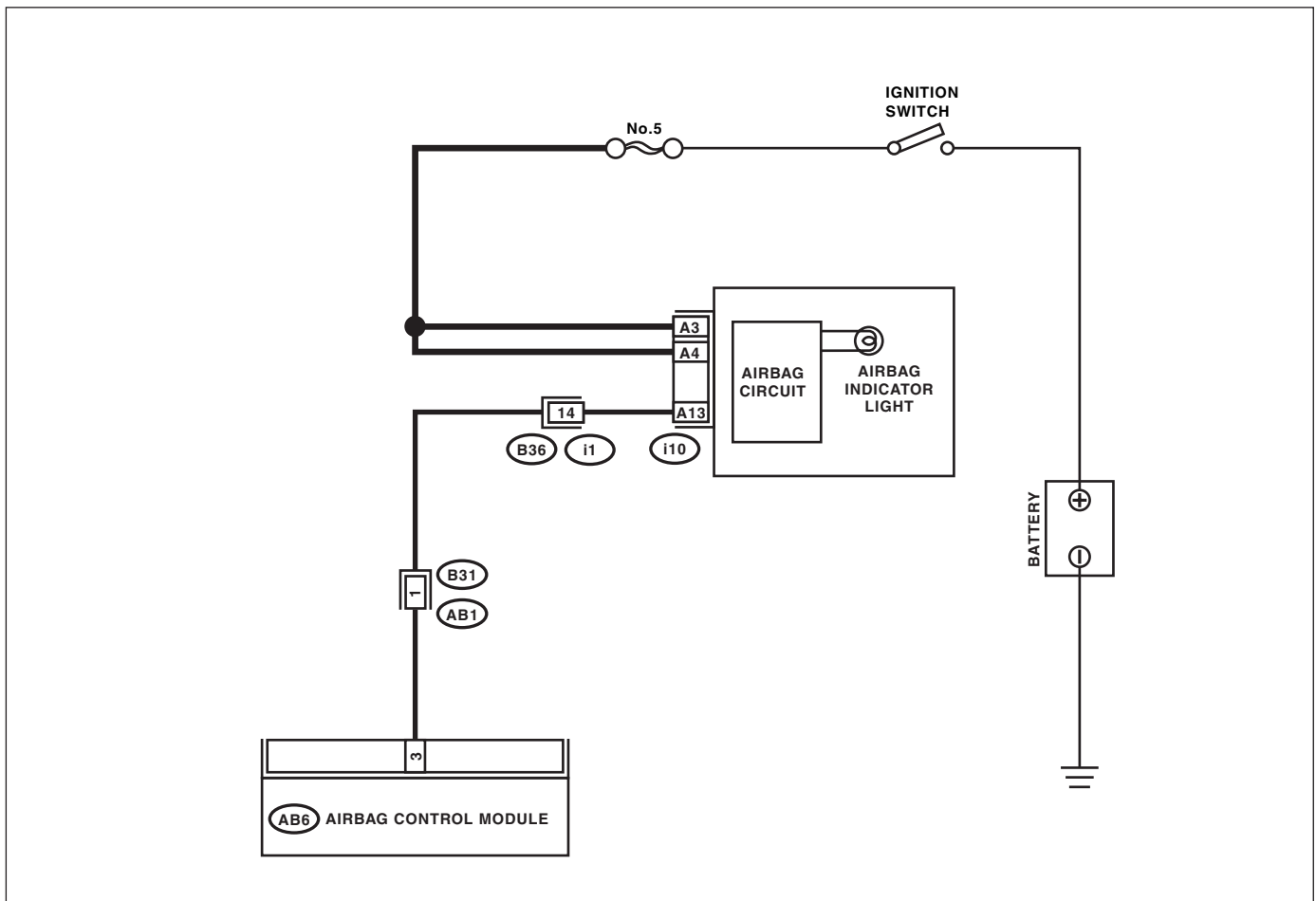
### DETECTING CONDITION:

- Fuse No. 5 (in fuse box) is blown.
- Body harness circuit is open.
- Airbag warning light is faulty.
- Airbag main harness is faulty.
- Airbag control module is faulty.

### CAUTION:

- Before diagnosing the airbag system, be sure to turn the ignition switch OFF, disconnect the ground terminal from battery, and wait more than 20 seconds before starting to work.
- Before replacing the airbag module, seat belt pretensioner, roll connector, control module and sensor, reconnect each part and confirm that the warning light operates properly.
- When inspecting the airbag main harness, disconnect the airbag module connector of the driver's and passenger's seats for safety reasons.

### WIRING DIAGRAM:



AB-00661

## Airbag Warning Light Failure

### AIRBAG SYSTEM (DIAGNOSTICS)

Step	Check	Yes	No
<b>1 CHECK COMBINATION METER.</b> Turn the ignition switch to ON, and confirm that warning lights equipped in the combination meter are turned on.	Do warning lights other than the airbag turn on?	Go to step 2.	Repair the combination meter power supply. <Ref. to IDI-3, Combination Meter System.>
<b>2 CHECK FUSE NO. 5 (IN MAIN FUSE BOX).</b> Remove the fuse No. 5 and perform visual inspection.	Is the fuse No. 5 (in main fuse box) blown out?	Replace the fuse No. 5. If the fuse No. 5 is blown again, go to step 3.	Go to step 3.
<b>3 CHECK AIRBAG WARNING LIGHT CIRCUIT (IN COMBINATION METER).</b> 1) Turn the ignition switch OFF, disconnect the battery ground terminal, and wait more than 20 seconds. 2) Disconnect the connector (AB1) from (B31). 3) Connect the battery ground terminal and turn the ignition switch ON.	Does the airbag warning light turn on?	Go to step 4.	Replace the airbag warning light bulb or combination meter printed circuit. <Ref. to IDI-16, Combination Meter Assembly.>
<b>4 CHECK AIRBAG MAIN HARNESS.</b> 1) Turn the ignition switch OFF, disconnect the battery ground terminal, and wait more than 20 seconds. 2) Connect the connector (AB1) to (B31). 3) Disconnect the connector (AB6) from airbag control module. <Ref. to AB-20, Airbag Control Module.> 4) Connect the battery ground terminal and turn the ignition switch ON.	Does the airbag warning light turn on?	Replace the airbag control module. <Ref. to AB-20, Airbag Control Module.>	Replace the airbag main harness with body harness.

## List of Diagnostic Trouble Code (DTC)

AIRBAG SYSTEM (DIAGNOSTICS)

### 12. List of Diagnostic Trouble Code (DTC)

#### A: LIST

DTC	Memory function	Content of diagnosis	Reference
11	Experienced	<ul style="list-style-type: none"> <li>• Airbag main harness circuit is open, shorted or shorted to ground.</li> <li>• Airbag module harness (Driver's side) circuit is open, shorted or shorted to ground.</li> <li>• Roll connector circuit is open, shorted or shorted to ground.</li> <li>• Airbag control module is faulty.</li> <li>• Driver's airbag module is faulty.</li> </ul>	<Ref. to AB(diag)-41, DTC 11, Diagnostic Chart with Trouble Code.>
12	Experienced	<ul style="list-style-type: none"> <li>• Airbag main harness circuit is open, shorted or shorted to ground.</li> <li>• Airbag module harness (Passenger's side) circuit is open, shorted or shorted to ground.</li> <li>• Airbag control module is faulty.</li> <li>• Passenger's airbag module is faulty.</li> </ul>	<Ref. to AB(diag)-44, DTC 12, Diagnostic Chart with Trouble Code.>
15	Experienced	<ul style="list-style-type: none"> <li>• Airbag main harness circuit (Driver's side) is shorted to power supply.</li> <li>• Airbag module harness circuit (Driver's side) is shorted to power supply.</li> <li>• Roll connector is shorted to the power supply.</li> <li>• Airbag control module is faulty.</li> <li>• Driver's airbag module is faulty.</li> </ul>	<Ref. to AB(diag)-46, DTC 15, Diagnostic Chart with Trouble Code.>
16	Experienced	<ul style="list-style-type: none"> <li>• Airbag main harness circuit (Passenger's side) is shorted to power supply.</li> <li>• Airbag module harness circuit (Passenger's side) is shorted to power supply.</li> <li>• Airbag control module is faulty.</li> <li>• Passenger's airbag module is faulty.</li> </ul>	<Ref. to AB(diag)-48, DTC 16, Diagnostic Chart with Trouble Code.>
21	Experienced	Airbag control module is faulty.	<Ref. to AB(diag)-49, DTC 21, Diagnostic Chart with Trouble Code.>
22	Experienced	Front airbag module and seat belt pretensioner (LH/RH) are deployed.	<Ref. to AB(diag)-50, DTC 22, Diagnostic Chart with Trouble Code.>
23	None	(AB6), (AB17) and (AB18) are not connected properly to airbag control module.	<Ref. to AB(diag)-51, DTC 23, Diagnostic Chart with Trouble Code.>
24	None	<ul style="list-style-type: none"> <li>• Airbag control module is faulty.</li> <li>• Airbag main harness circuit is open.</li> <li>• Fuse No. 25 (in joint box) is blown.</li> <li>• Airbag rear harness circuit is open.</li> </ul>	<Ref. to AB(diag)-52, DTC 24, Diagnostic Chart with Trouble Code.>
25	Experienced	<ul style="list-style-type: none"> <li>• Airbag control module is faulty.</li> <li>• Airbag main harness circuit is open.</li> <li>• Fuse No. 12 (in joint box) is blown.</li> <li>• Airbag rear harness circuit is open.</li> </ul>	<Ref. to AB(diag)-54, DTC 25, Diagnostic Chart with Trouble Code.>
31	Experienced	<ul style="list-style-type: none"> <li>• Front sub-sensor harness (RH) circuit is shorted.</li> <li>• Front sub-sensor harness (RH) circuit is open.</li> <li>• Front sub-sensor (RH) is faulty.</li> <li>• Airbag control module is faulty.</li> </ul>	<Ref. to AB(diag)-56, DTC 31, Diagnostic Chart with Trouble Code.>

## List of Diagnostic Trouble Code (DTC)

### AIRBAG SYSTEM (DIAGNOSTICS)

DTC	Memory function	Content of diagnosis	Reference
32	Experienced	<ul style="list-style-type: none"> <li>• Front sub-sensor harness (LH) circuit is shorted.</li> <li>• Front sub-sensor harness (LH) circuit is open.</li> <li>• Front sub-sensor (LH) is faulty.</li> <li>• Airbag control module is faulty.</li> </ul>	<Ref. to AB(diag)-58, DTC 32, Diagnostic Chart with Trouble Code.>
33	Experienced	Front sub-sensor (RH) is faulty.	<Ref. to AB(diag)-59, DTC 33, Diagnostic Chart with Trouble Code.>
34	Experienced	Front sub-sensor (LH) is faulty.	<Ref. to AB(diag)-59, DTC 34, Diagnostic Chart with Trouble Code.>
41	Experienced	<ul style="list-style-type: none"> <li>• Side airbag harness (RH) is faulty.</li> <li>• Side airbag module (RH) is faulty.</li> <li>• Airbag control module is faulty.</li> </ul>	<Ref. to AB(diag)-60, DTC 41, Diagnostic Chart with Trouble Code.>
42	Experienced	<ul style="list-style-type: none"> <li>• Side airbag harness (LH) is faulty.</li> <li>• Side airbag module (LH) is faulty.</li> <li>• Airbag control module is faulty.</li> </ul>	<Ref. to AB(diag)-65, DTC 42, Diagnostic Chart with Trouble Code.>
45	Experienced	<ul style="list-style-type: none"> <li>• Side airbag harness (RH) is shorted to power supply.</li> <li>• Airbag control module is faulty.</li> </ul>	<Ref. to AB(diag)-70, DTC 45, Diagnostic Chart with Trouble Code.>
46	Experienced	<ul style="list-style-type: none"> <li>• Side airbag harness (LH) is shorted to power supply.</li> <li>• Airbag control module is faulty.</li> </ul>	<Ref. to AB(diag)-73, DTC 46, Diagnostic Chart with Trouble Code.>
51	Experienced	<ul style="list-style-type: none"> <li>• Side airbag sensor (RH) is faulty.</li> <li>• Side airbag harness (RH) is faulty.</li> <li>• Airbag control module is faulty.</li> </ul>	<Ref. to AB(diag)-76, DTC 51, Diagnostic Chart with Trouble Code.>
52	Experienced	<ul style="list-style-type: none"> <li>• Side airbag sensor (LH) is faulty.</li> <li>• Side airbag harness (LH) is faulty.</li> <li>• Airbag control module is faulty.</li> </ul>	<Ref. to AB(diag)-79, DTC 52, Diagnostic Chart with Trouble Code.>
53	Experienced	Side airbag sensor (RH) is faulty.	<Ref. to AB(diag)-82, DTC 53, Diagnostic Chart with Trouble Code.>
54	Experienced	Side airbag sensor (LH) is faulty.	<Ref. to AB(diag)-82, DTC 54, Diagnostic Chart with Trouble Code.>
55	Experienced	<ul style="list-style-type: none"> <li>• Side airbag module is deployed.</li> <li>• Curtain airbag module is deployed.</li> </ul>	<Ref. to AB(diag)-82, DTC 55, Diagnostic Chart with Trouble Code.>
56	Experienced	<ul style="list-style-type: none"> <li>• Curtain airbag sensor (RH) is faulty.</li> <li>• Curtain airbag harness (RH) is faulty.</li> <li>• Airbag control module is faulty.</li> </ul>	<Ref. to AB(diag)-83, DTC 56, Diagnostic Chart with Trouble Code.>
57	Experienced	<ul style="list-style-type: none"> <li>• Curtain airbag sensor (LH) is faulty.</li> <li>• Curtain airbag harness (LH) is faulty.</li> <li>• Airbag control module is faulty.</li> </ul>	<Ref. to AB(diag)-85, DTC 57, Diagnostic Chart with Trouble Code.>



# List of Diagnostic Trouble Code (DTC)

AIRBAG SYSTEM (DIAGNOSTICS)

DTC	Memory function	Content of diagnosis	Reference
58	Experienced	Curtain airbag sensor (RH) is faulty.	<Ref. to AB(diag)-86, DTC 58, Diagnostic Chart with Trouble Code.>
59	Experienced	Curtain airbag sensor (LH) is faulty.	<Ref. to AB(diag)-86, DTC 59, Diagnostic Chart with Trouble Code.>
61	Experienced	<ul style="list-style-type: none"> <li>• Seat belt pretensioner (RH) circuit is open, shorted or shorted to ground.</li> <li>• Airbag control module is faulty.</li> <li>• Pretensioner is faulty.</li> <li>• Pretensioner harness is faulty.</li> </ul>	<Ref. to AB(diag)-87, DTC 61, Diagnostic Chart with Trouble Code.>
62	Experienced	<ul style="list-style-type: none"> <li>• Seat belt pretensioner (LH) circuit is open, shorted or shorted to ground.</li> <li>• Airbag control module is faulty.</li> <li>• Pretensioner is faulty.</li> <li>• Pretensioner harness is faulty.</li> </ul>	<Ref. to AB(diag)-90, DTC 62, Diagnostic Chart with Trouble Code.>
65	Experienced	<ul style="list-style-type: none"> <li>• Seat belt pretensioner (RH) circuit is shorted to power supply.</li> <li>• Pretensioner is faulty.</li> <li>• Pretensioner harness is faulty.</li> <li>• Airbag control module is faulty.</li> </ul>	<Ref. to AB(diag)-93, DTC 65, Diagnostic Chart with Trouble Code.>
66	Experienced	<ul style="list-style-type: none"> <li>• Seat belt pretensioner (LH) circuit is shorted to power supply.</li> <li>• Pretensioner is faulty.</li> <li>• Pretensioner harness is faulty.</li> <li>• Airbag control module is faulty.</li> </ul>	<Ref. to AB(diag)-96, DTC 66, Diagnostic Chart with Trouble Code.>
71	Experienced	<ul style="list-style-type: none"> <li>• Airbag main harness circuit is open, shorted or shorted to ground.</li> <li>• Airbag module harness (Driver's side) circuit is open, shorted or shorted to ground.</li> <li>• Roll connector circuit is open, shorted or shorted to ground.</li> <li>• Airbag control module is faulty.</li> <li>• Driver's airbag module is faulty.</li> </ul>	<Ref. to AB(diag)-99, DTC 71, Diagnostic Chart with Trouble Code.>
72	Experienced	<ul style="list-style-type: none"> <li>• Airbag main harness circuit is open, shorted or shorted to ground.</li> <li>• Airbag module harness (Passenger's side) circuit is open, shorted or shorted to ground.</li> <li>• Airbag control module is faulty.</li> <li>• Passenger's airbag module is faulty.</li> </ul>	<Ref. to AB(diag)-102, DTC 72, Diagnostic Chart with Trouble Code.>
75	Experienced	<ul style="list-style-type: none"> <li>• Airbag main harness circuit (Driver's side) is shorted to power supply.</li> <li>• Airbag module harness circuit (Driver's side) is shorted to power supply.</li> <li>• Roll connector is shorted to power supply.</li> <li>• Airbag control module is faulty.</li> <li>• Driver's airbag module is faulty.</li> </ul>	<Ref. to AB(diag)-104, DTC 75, Diagnostic Chart with Trouble Code.>
76	Experienced	<ul style="list-style-type: none"> <li>• Airbag main harness circuit (Passenger's side) is shorted to power supply.</li> <li>• Airbag module harness circuit (Passenger's side) is shorted to power supply.</li> <li>• Airbag control module is faulty.</li> <li>• Passenger's airbag module is faulty.</li> </ul>	<Ref. to AB(diag)-106, DTC 76, Diagnostic Chart with Trouble Code.>

## List of Diagnostic Trouble Code (DTC)

### AIRBAG SYSTEM (DIAGNOSTICS)

DTC	Memory function	Content of diagnosis	Reference
91	Experienced	<ul style="list-style-type: none"><li>• Curtain airbag harness (RH) is faulty.</li><li>• Curtain airbag module (RH) is faulty.</li><li>• Airbag control module is faulty.</li></ul>	<Ref. to AB(diag)-108, DTC 91, Diagnostic Chart with Trouble Code.>
92	Experienced	<ul style="list-style-type: none"><li>• Curtain airbag harness (LH) is faulty.</li><li>• Curtain airbag module (LH) is faulty.</li><li>• Airbag control module is faulty.</li></ul>	<Ref. to AB(diag)-110, DTC 92, Diagnostic Chart with Trouble Code.>
95	Experienced	<ul style="list-style-type: none"><li>• Curtain airbag harness (RH) is shorted to power supply.</li><li>• Airbag control module is faulty.</li></ul>	<Ref. to AB(diag)-112, DTC 95, Diagnostic Chart with Trouble Code.>
96	Experienced	<ul style="list-style-type: none"><li>• Curtain airbag harness (LH) is shorted to power supply.</li><li>• Airbag control module is faulty.</li></ul>	<Ref. to AB(diag)-114, DTC 96, Diagnostic Chart with Trouble Code.>

## 13. Diagnostic Chart with Trouble Code

### A: DTC 11

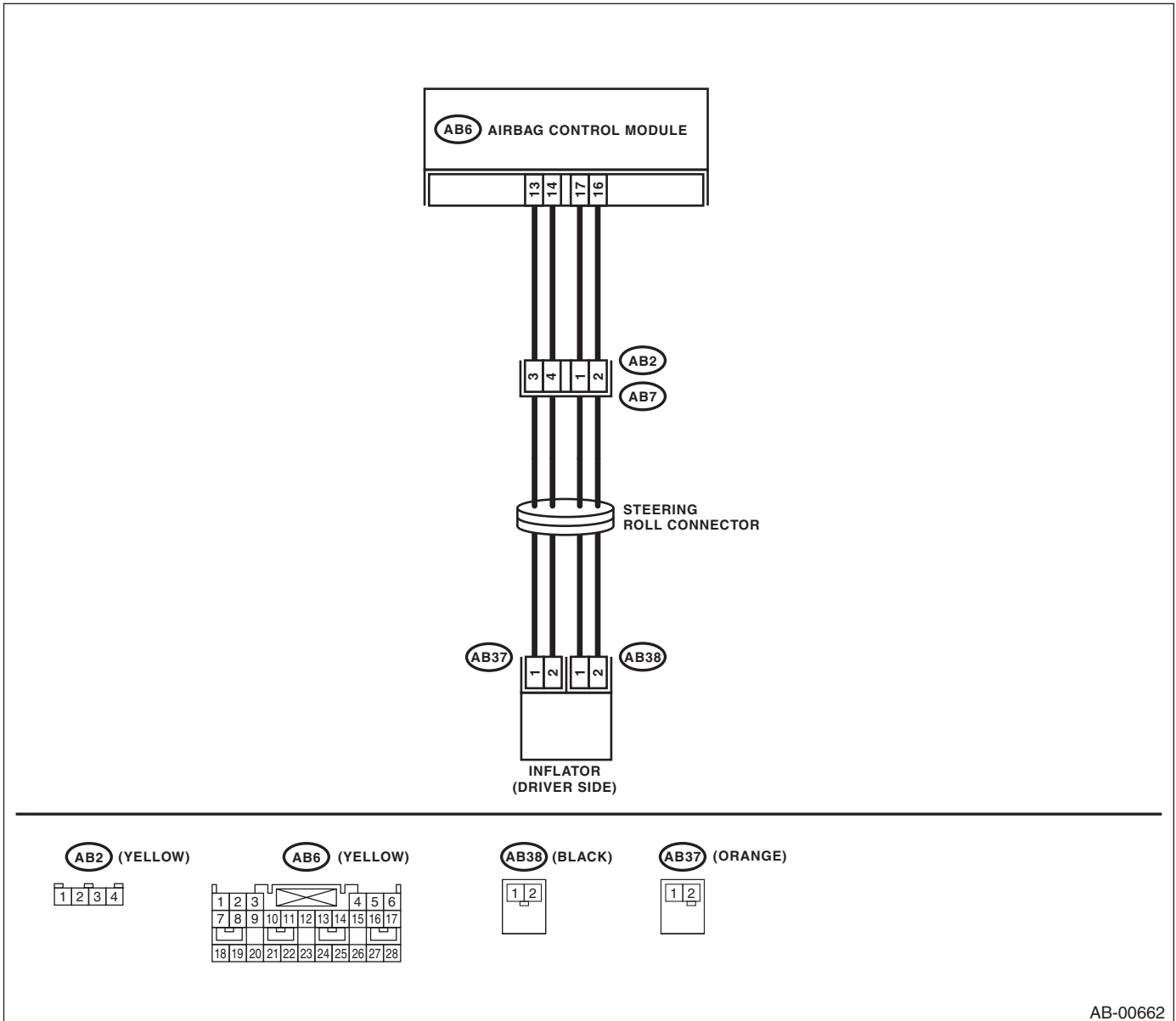
#### DTC DETECTING CONDITION:

- Airbag main harness circuit is open, shorted or shorted to ground.
- Airbag module harness (Driver's side) circuit is open, shorted or shorted to ground.
- Roll connector circuit is open, shorted or shorted to ground.
- Driver's airbag module is faulty.
- Airbag control module is faulty.

#### CAUTION:

- Before diagnosing the airbag system, be sure to turn the ignition switch OFF, disconnect the ground terminal from battery, and wait more than 20 seconds before starting to work.
- Before replacing the airbag module, seat belt pretensioner, roll connector, control module and sensor, reconnect each part and confirm that the warning light operates properly.
- When inspecting the airbag main harness, disconnect the airbag module connector of the driver's and passenger's seats for safety reasons.

#### WIRING DIAGRAM:



# Diagnostic Chart with Trouble Code

## AIRBAG SYSTEM (DIAGNOSTICS)

Step	Check	Yes	No
<b>1 CHECK DRIVER'S AIRBAG MODULE.</b> 1) Turn the ignition switch OFF, disconnect the battery ground terminal, and wait more than 20 seconds. 2) Remove the driver's airbag module. <Ref. to AB-14, Driver's Airbag Module.> 3) Connect the connector (1N) in the test harness N to connector (AB38). 4) Connect the airbag resistor to connector (2N) in the test harness N. 5) Connect the connectors (1Q) in the test harness Q to connector (AB37). 6) Connect the airbag resistor to connector (2Q) in the test harness Q. 7) Connect the battery ground terminal and turn the ignition switch ON.	Does the airbag warning light operate properly?	Replace the driver's airbag module. <Ref. to AB-14, Driver's Airbag Module.>	Go to step 2.
<b>2 CHECK ROLL CONNECTOR.</b> 1) Turn the ignition switch OFF, disconnect the battery ground terminal, and wait more than 20 seconds. 2) Disconnect the test harness N from connector (AB38). 3) Disconnect the test harness Q from connector (AB37). 4) Remove the instrument panel lower cover, disconnect the connector (AB7) from (AB2). 5) Connect the connector (1P) in the test harness P to connector (AB2). 6) Connect the airbag resistor to connector (2P) and (3P) in the test harness P. 7) Connect the battery ground terminal and turn the ignition switch ON.	Does the airbag warning light operate properly?	Replace the roll connector. <Ref. to AB-23, Roll Connector.>	Go to step 3.
<b>3 CHECK AIRBAG MAIN HARNESS (DRIVER'S AIRBAG HARNESS).</b> 1) Turn the ignition switch OFF, disconnect the battery ground terminal, and wait more than 20 seconds. 2) Disconnect the airbag resistor from connector (2P) and (3P) in the test harness P. 3) Remove the instrument panel side cover of passenger's side and disconnect the connector (AB10) and (AB9). <Ref. to AB-15, Passenger's Airbag Module.> 4) Disconnect the connector (AB6) from airbag control module, and connect the connector (1U) in the test harness U. <Ref. to AB-20, Airbag Control Module.> 5) Measure the resistance between connector (2U) in the test harness U and connector (2P) and (3P) in the test harness P. <b>Connector &amp; terminal</b> (2U) No. 2 — (2P) No. 1: (2U) No. 4 — (2P) No. 2: (2U) No. 8 — (3P) No. 3: (2U) No. 12 — (3P) No. 4:	Is the resistance less than 10 $\Omega$ ?	Go to step 4.	Replace the airbag main harness with body harness.

# Diagnostic Chart with Trouble Code

AIRBAG SYSTEM (DIAGNOSTICS)

Step	Check	Yes	No
<p><b>4</b>    <b>CHECK AIRBAG MAIN HARNESS (DRIVER'S AIRBAG HARNESS).</b> Measure the resistance between connector (2U) terminals in the test harness U. <b>Connector &amp; terminal</b> <i>(2U) No. 2 — (2U) No. 4:</i> <i>(2U) No. 4 — Chassis ground:</i> <i>(2U) No. 2 — Chassis ground:</i> <i>(2U) No. 8 — (2U) No. 12:</i> <i>(2U) No. 8 — Chassis ground:</i> <i>(2U) No. 12 — Chassis ground:</i></p>	<p>Is the resistance more than 1 MΩ?</p>	<p>Replace the airbag control module. &lt;Ref. to AB-20, Airbag Control Module.&gt;</p>	<p>Replace the airbag main harness with body harness.</p>

# Diagnostic Chart with Trouble Code

## AIRBAG SYSTEM (DIAGNOSTICS)

### B: DTC 12

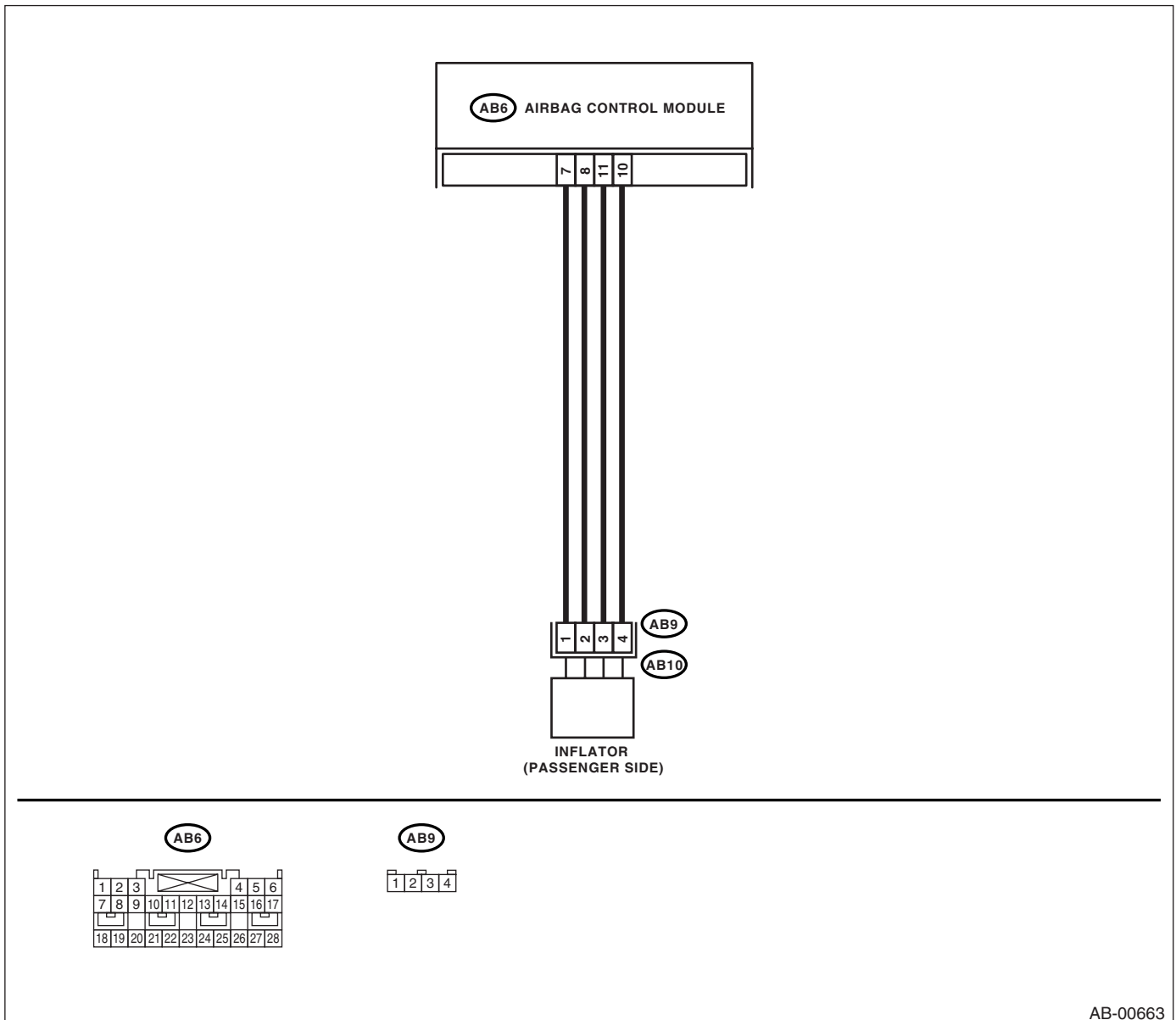
#### DTC DETECTING CONDITION:

- Airbag main harness circuit is open, shorted or shorted to ground.
- Airbag module harness (Passenger's side) circuit is open, shorted or shorted to ground.
- Passenger's airbag module is faulty.
- Airbag control module is faulty.

#### CAUTION:

- Before diagnosing the airbag system, be sure to turn the ignition switch OFF, disconnect the ground terminal from battery, and wait more than 20 seconds before starting to work.
- Before replacing the airbag module, seat belt pretensioner, roll connector, control module and sensor, reconnect each part and confirm that the warning light operates properly.
- When inspecting the airbag main harness, disconnect the airbag module connector of the driver's and passenger's seats for safety reasons.

#### WIRING DIAGRAM:



AB-00663

# Diagnostic Chart with Trouble Code

AIRBAG SYSTEM (DIAGNOSTICS)

Step	Check	Yes	No
<p><b>1 CHECK PASSENGER'S AIRBAG MODULE.</b></p> <p>1) Turn the ignition switch OFF, disconnect the battery ground terminal, and wait more than 20 seconds.</p> <p>2) Remove the instrument panel side cover on the passenger's side.</p> <p>3) Disconnect the connector (AB10) from (AB9).</p> <p>4) Connect the connector (1P) in the test harness P to connector (AB9).</p> <p>5) Connect the airbag resistor to connector (2P) and (3P) in the test harness P.</p> <p>6) Connect the battery ground terminal and turn the ignition switch ON.</p>	<p>Does the airbag warning light operate properly?</p>	<p>Replace the passenger's airbag module. &lt;Ref. to AB-15, Passenger's Airbag Module.&gt;</p>	<p>Go to step 2.</p>
<p><b>2 CHECK AIRBAG MAIN HARNESS (PASSENGER'S AIRBAG HARNESS).</b></p> <p>1) Turn the ignition switch OFF, disconnect the battery ground terminal, and wait more than 20 seconds.</p> <p>2) Disconnect the airbag resistor from connector (2P) and (3P) in the test harness P.</p> <p>3) Remove the instrument panel lower cover, disconnect the connector (AB7) from (AB2).</p> <p>4) Disconnect the connector (AB6) from airbag control module, and connect the connector (1U) in the test harness U. &lt;Ref. to AB-20, Airbag Control Module.&gt;</p> <p>5) Measure the resistance between connector (2U) in the test harness U and connector (2P) and (3P) in the test harness P.</p> <p><b>Connector &amp; terminal</b></p> <p><b>(2U) No. 3 — (2P) No. 1:</b></p> <p><b>(2U) No. 5 — (2P) No. 2:</b></p> <p><b>(2U) No. 9 — (3P) No. 3:</b></p> <p><b>(2U) No. 13 — (3P) No. 4:</b></p>	<p>Is the resistance less than 10 <math>\Omega</math>?</p>	<p>Go to step 3.</p>	<p>Replace the airbag main harness with body harness.</p>
<p><b>3 CHECK AIRBAG MAIN HARNESS (PASSENGER'S AIRBAG HARNESS).</b></p> <p>Measure the resistance between connector (2U) terminals in the test harness U and between the connector (2U) and chassis ground.</p> <p><b>Connector &amp; terminal</b></p> <p><b>(2U) No. 3 — (2U) No. 5:</b></p> <p><b>(2U) No. 3 — Chassis ground:</b></p> <p><b>(2U) No. 5 — Chassis ground:</b></p> <p><b>(2U) No. 9 — (2U) No. 13:</b></p> <p><b>(2U) No. 9 — Chassis ground:</b></p> <p><b>(2U) No. 13 — Chassis ground:</b></p>	<p>Is the resistance more than 1 M<math>\Omega</math>?</p>	<p>Replace the airbag control module. &lt;Ref. to AB-20, Airbag Control Module.&gt;</p>	<p>Replace the airbag main harness with body harness.</p>

# Diagnostic Chart with Trouble Code

## AIRBAG SYSTEM (DIAGNOSTICS)

### C: DTC 15

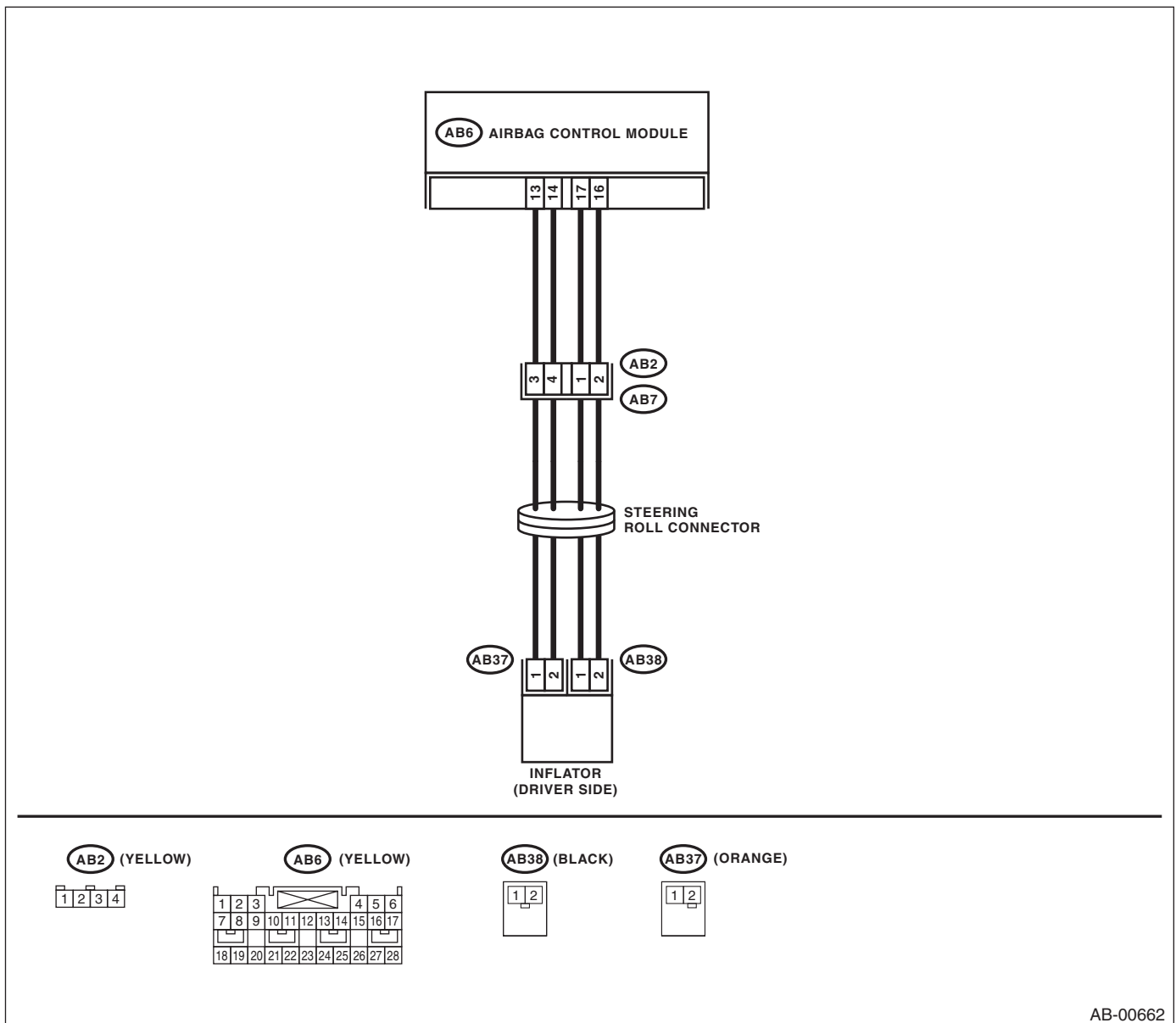
#### DTC DETECTING CONDITION:

- Airbag main harness circuit (Driver's side) is shorted to power supply.
- Airbag module harness circuit (Driver's side) is shorted to power supply.
- Roll connector is shorted to the power supply.
- Driver's airbag module is faulty.
- Airbag control module is faulty.

#### CAUTION:

- Before diagnosing the airbag system, be sure to turn the ignition switch OFF, disconnect the ground terminal from battery, and wait more than 20 seconds before starting to work.
- Before replacing the airbag module, seat belt pretensioner, roll connector, control module and sensor, reconnect each part and confirm that the warning light operates properly.
- When inspecting the airbag main harness, disconnect the airbag module connector of the driver's and passenger's seats for safety reasons.

#### WIRING DIAGRAM:





# Diagnostic Chart with Trouble Code

AIRBAG SYSTEM (DIAGNOSTICS)

Step	Check	Yes	No
<p><b>1</b></p> <p><b>CHECK DRIVER'S AIRBAG MODULE.</b></p> <p>1) Turn the ignition switch OFF, disconnect the battery ground terminal, and wait more than 20 seconds.</p> <p>2) Remove the driver's airbag module. &lt;Ref. to AB-14, Driver's Airbag Module.&gt;</p> <p>3) Connect the connector (AB38) to connector (1N) in the test harness N.</p> <p>4) Connect the airbag resistor to connector (2N) in the test harness N.</p> <p>5) Connect the connectors (1Q) in the test harness Q to connector (AB37).</p> <p>6) Connect the airbag resistor to connector (2Q) in the test harness Q.</p> <p>7) Connect the battery ground terminal and turn the ignition switch ON.</p>	<p>Does the airbag warning light operate properly?</p>	<p>Replace the driver's airbag module. &lt;Ref. to AB-14, Driver's Airbag Module.&gt;</p>	<p>Go to step 2.</p>
<p><b>2</b></p> <p><b>CHECK ROLL CONNECTOR.</b></p> <p>1) Turn the ignition switch OFF, disconnect the battery ground terminal, and wait more than 20 seconds.</p> <p>2) Disconnect the test harness N from connector (AB38).</p> <p>3) Disconnect the test harness Q from connector (AB37).</p> <p>4) Remove the instrument panel lower cover, disconnect the connector (AB7) from (AB2).</p> <p>5) Connect the connector (1P) in the test harness P to connector (AB2).</p> <p>6) Connect the airbag resistor to connector (2P) and (3P) in the test harness P.</p> <p>7) Connect the battery ground terminal and turn the ignition switch ON.</p>	<p>Does the airbag warning light operate properly?</p>	<p>Replace the roll connector. &lt;Ref. to AB-23, Roll Connector.&gt;</p>	<p>Go to step 3.</p>
<p><b>3</b></p> <p><b>CHECK AIRBAG MAIN HARNESS (DRIVER'S AIRBAG HARNESS).</b></p> <p>1) Turn the ignition switch OFF, disconnect the battery ground terminal, and wait more than 20 seconds.</p> <p>2) Disconnect the airbag resistor from connector (2P) and (3P) in the test harness P.</p> <p>3) Remove the instrument panel side cover of passenger's side and disconnect the connector (AB10) and (AB9).</p> <p>4) Disconnect the connector (AB6) from airbag control module, and connect the connector (1U) in the test harness U. &lt;Ref. to AB-20, Airbag Control Module.&gt;</p> <p>5) Connect the battery ground terminal and turn the ignition switch ON. (engine OFF)</p> <p>6) Measure the voltage between connector (2U) in the test harness U and chassis ground.</p> <p><b>Connector &amp; terminal</b></p> <p><b>(2U) No. 4 (+) — Chassis ground (-):</b></p> <p><b>(2U) No. 2 (+) — Chassis ground (-):</b></p> <p><b>(2U) No. 8 (+) — Chassis ground (-):</b></p> <p><b>(2U) No. 12 (+) — Chassis ground (-):</b></p>	<p>Is the voltage less than 1 V?</p>	<p>Replace the airbag control module. &lt;Ref. to AB-20, Airbag Control Module.&gt;</p>	<p>Replace the airbag main harness with body harness.</p>

# Diagnostic Chart with Trouble Code

## AIRBAG SYSTEM (DIAGNOSTICS)

### D: DTC 16

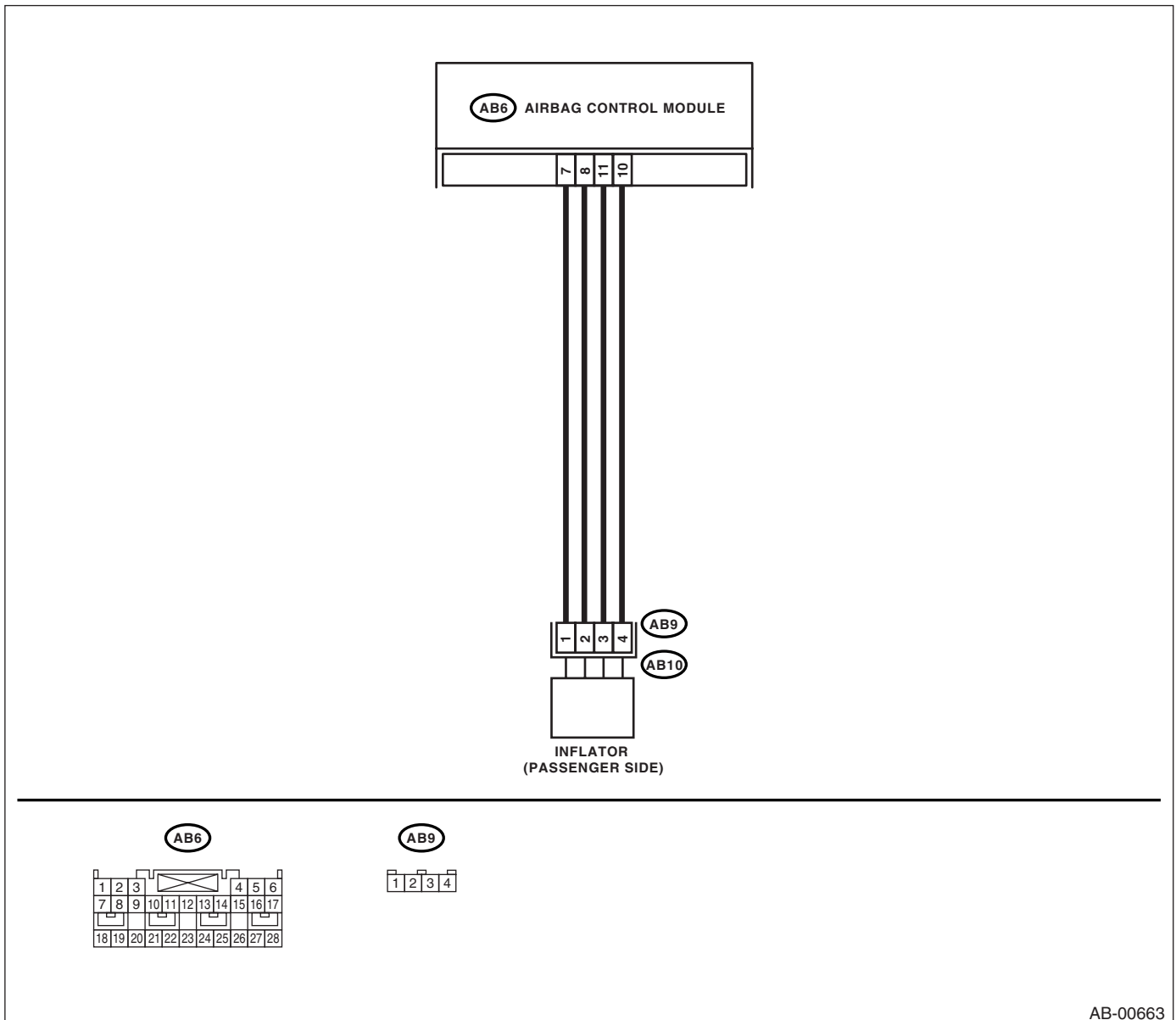
#### DTC DETECTING CONDITION:

- Airbag main harness circuit (Passenger's side) is shorted to power supply.
- Airbag module harness circuit (Passenger's side) is shorted to power supply.
- Passenger's airbag module is faulty.
- Airbag control module is faulty.

#### CAUTION:

- Before diagnosing the airbag system, be sure to turn the ignition switch OFF, disconnect the ground terminal from battery, and wait more than 20 seconds before starting to work.
- Before replacing the airbag module, seat belt pretensioner, roll connector, control module and sensor, reconnect each part and confirm that the warning light operates properly.
- When inspecting the airbag main harness, disconnect the airbag module connector of the driver's and passenger's seats for safety reasons.

#### WIRING DIAGRAM:



AB-00663

# Diagnostic Chart with Trouble Code

AIRBAG SYSTEM (DIAGNOSTICS)

Step	Check	Yes	No
<b>1 CHECK PASSENGER'S AIRBAG MODULE.</b> 1) Turn the ignition switch OFF, disconnect the battery ground terminal, and wait more than 20 seconds. 2) Remove the instrument panel side cover on the passenger's side. 3) Disconnect the connector (AB10) from (AB9). 4) Connect the connector (1P) in the test harness P to connector (AB9). 5) Connect the airbag resistor to connector (2P) and (3P) in the test harness P. 6) Connect the battery ground terminal and turn the ignition switch ON.	Does the airbag warning light operate properly?	Replace the passenger's airbag module. <Ref. to AB-15, Passenger's Airbag Module.>	Go to step 2.
<b>2 CHECK AIRBAG MAIN HARNESS (PASSENGER'S AIRBAG HARNESS).</b> 1) Turn the ignition switch OFF, disconnect the battery ground terminal, and wait more than 20 seconds. 2) Disconnect the airbag resistor from connector (2P) and (3P) in the test harness P. 3) Remove the instrument panel lower cover, disconnect the connector (AB7) from (AB2). 4) Disconnect the connector (AB6) from airbag control module, and connect the connector (1U) in the test harness U. <Ref. to AB-20, Airbag Control Module.> 5) Measure the voltage between connector (2U) in the test harness U and chassis ground. <b>Connector &amp; terminal</b> (2U) No. 3 (+) — Chassis ground (-): (2U) No. 5 (+) — Chassis ground (-): (2U) No. 9 (+) — Chassis ground (-): (2U) No. 13 (+) — Chassis ground (-):	Is the voltage less than 1 V?	Replace the airbag control module. <Ref. to AB-20, Airbag Control Module.>	Replace the airbag main harness with body harness.

## E: DTC 21

### DTC DETECTING CONDITION:

Airbag control module is faulty.

### CAUTION:

- Before diagnosing the airbag system, be sure to turn the ignition switch OFF, disconnect the ground terminal from battery, and wait more than 20 seconds before starting to work.
- Before replacing the airbag module, seat belt pretensioner, roll connector, control module and sensor, reconnect each part and confirm that the warning light operates properly.

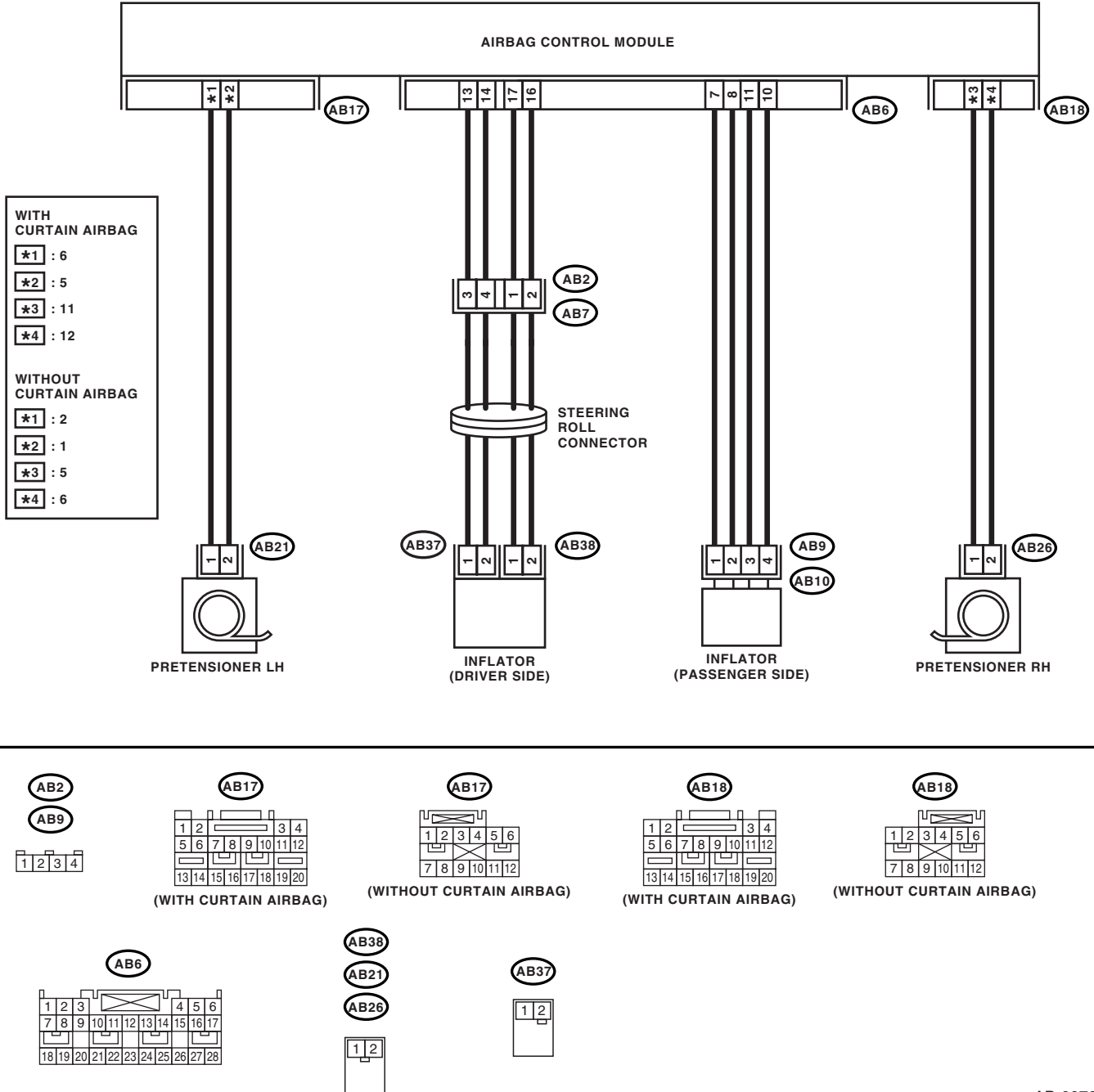
Step	Check	Yes	No
<b>1 CHECK IF DTC 21 IS INDICATED.</b> Read the DTC. <Ref. to AB(diag)-30, Read Diagnostic Trouble Code (DTC).>	Is DTC 21 indicated for airbag warning light?	Replace the airbag control module. <Ref. to AB-20, Airbag Control Module.>	Perform the clear memory mode. <Ref. to AB(diag)-32, Clear Memory Mode.>

# Diagnostic Chart with Trouble Code

## AIRBAG SYSTEM (DIAGNOSTICS)

### F: DTC 22

#### WIRING DIAGRAM:



AB-00729

This DTC is indicated when the front airbag module and the pretensioner are deployed. Once this DTC is displayed, the memory cannot be cleared. Replace the following parts.

- Airbag control module. <Ref. to AB-20, Airbag Control Module.>
- Driver's airbag module. <Ref. to AB-14, Driver's Airbag Module.>
- Passenger's airbag module. <Ref. to AB-15, Passenger's Airbag Module.>
- Front sub-sensor of both sides. <Ref. to AB-24, Front Sub Sensor.>
- Front seat belt outer with pretensioner of both sides. <Ref. to SB-12, Front Seat Belt.>

# Diagnostic Chart with Trouble Code

AIRBAG SYSTEM (DIAGNOSTICS)

## G: DTC 23

### DTC DETECTING CONDITION:

(AB6), (AB17) and (AB18) are not connected properly to airbag control module.

### CAUTION:

**Before diagnosing the airbag system, be sure to turn the ignition switch OFF, disconnect the ground terminal from battery, and wait more than 20 seconds before starting to work.**

Step	Check	Yes	No
<b>1</b> <b>CHECK POOR CONTACT IN CONNECTORS (AB6), (AB17) AND (AB18).</b> 1) Turn the ignition switch OFF, disconnect the battery ground terminal, and wait more than 20 seconds. 2) Disconnect the connectors (AB6), (AB17) and (AB18) from airbag control modules. <Ref. to AB-20, Airbag Control Module.>	Is there rust or damage on the harness connector and the control module connector?	Replace the airbag control module. <Ref. to AB-20, Airbag Control Module.> Replace the body harness with airbag main harness. Replace the body harness with side airbag harness.	Go to step 2.
<b>2</b> <b>CHECK POOR CONTACT IN CONNECTORS (AB6), (AB17) AND (AB18).</b> 1) Ensure that the connectors are firmly reconnected. 2) Connect the battery ground terminal and turn the ignition switch ON.	Does the airbag warning light operate properly?	Finish the diagnosis.	Replace the airbag control module. <Ref. to AB-20, Airbag Control Module.>

# Diagnostic Chart with Trouble Code

## AIRBAG SYSTEM (DIAGNOSTICS)

### H: DTC 24

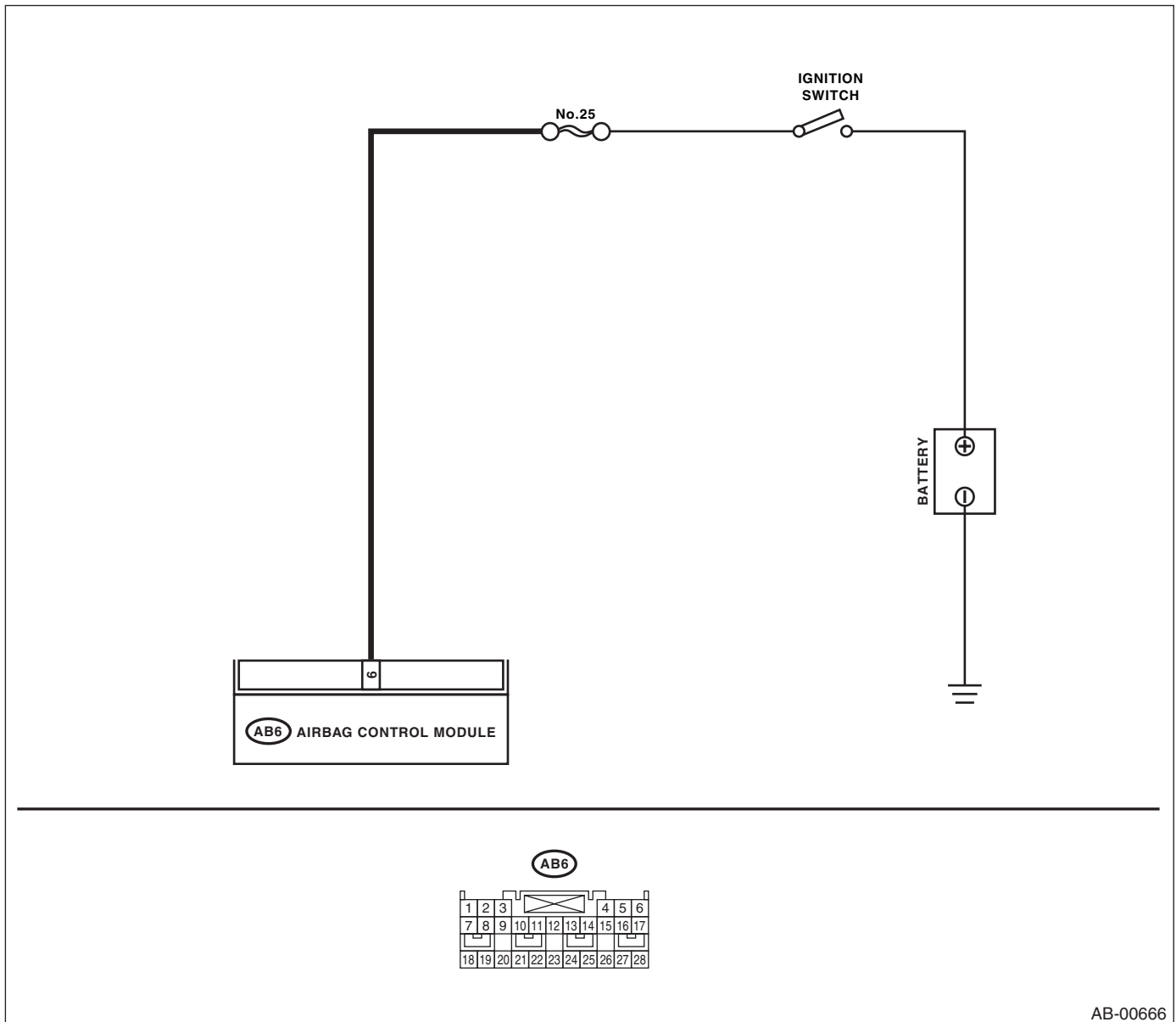
#### DTC DETECTING CONDITION:

- Airbag control module is faulty.
- Airbag main harness circuit is open.
- Fuse No. 25 (in joint box) is blown.
- Body harness circuit is open.

#### CAUTION:

- Before diagnosing the airbag system, be sure to turn the ignition switch OFF, disconnect the ground terminal from battery, and wait more than 20 seconds before starting to work.
- Before replacing the airbag module, seat belt pretensioner, roll connector, control module and sensor, reconnect each part and confirm that the warning light operates properly.
- When inspecting the airbag main harness, disconnect the airbag module connector of the driver's and passenger's seats for safety reasons.

#### WIRING DIAGRAM:



AB-00666

# Diagnostic Chart with Trouble Code

AIRBAG SYSTEM (DIAGNOSTICS)

Step	Check	Yes	No
<b>1 CHECK AIRBAG CONTROL MODULE.</b> 1) Turn the ignition switch OFF, disconnect the battery ground terminal, and wait more than 20 seconds. 2) Disconnect the connector (AB6) from airbag control module. <Ref. to AB-20, Airbag Control Module.> 3) Connect the connector (1U) in the test harness U to connector (AB6). 4) Connect the battery ground terminal and turn the ignition switch ON. 5) Measure the voltage between connector (2U) in the test harness U and chassis ground. <b>Connector &amp; terminal</b> <b>(2U) No. 1 (+) — Chassis ground (-):</b>	Is the voltage more than 10 V?	Replace the airbag control module. <Ref. to AB-20, Airbag Control Module.>	Go to step 2.
<b>2 CHECK FUSE NO. 25 (IN JOINT BOX).</b> 1) Confirm that the ignition switch is turned OFF. 2) Remove the fuse No. 25 (in joint box) and perform visual inspection.	Is the fuse No. 25 blown out?	Replace the fuse No. 25. If fuse No. 25 is blown out again, repair the body harness.	Repair the body harness.

# Diagnostic Chart with Trouble Code

## AIRBAG SYSTEM (DIAGNOSTICS)

### I: DTC 25

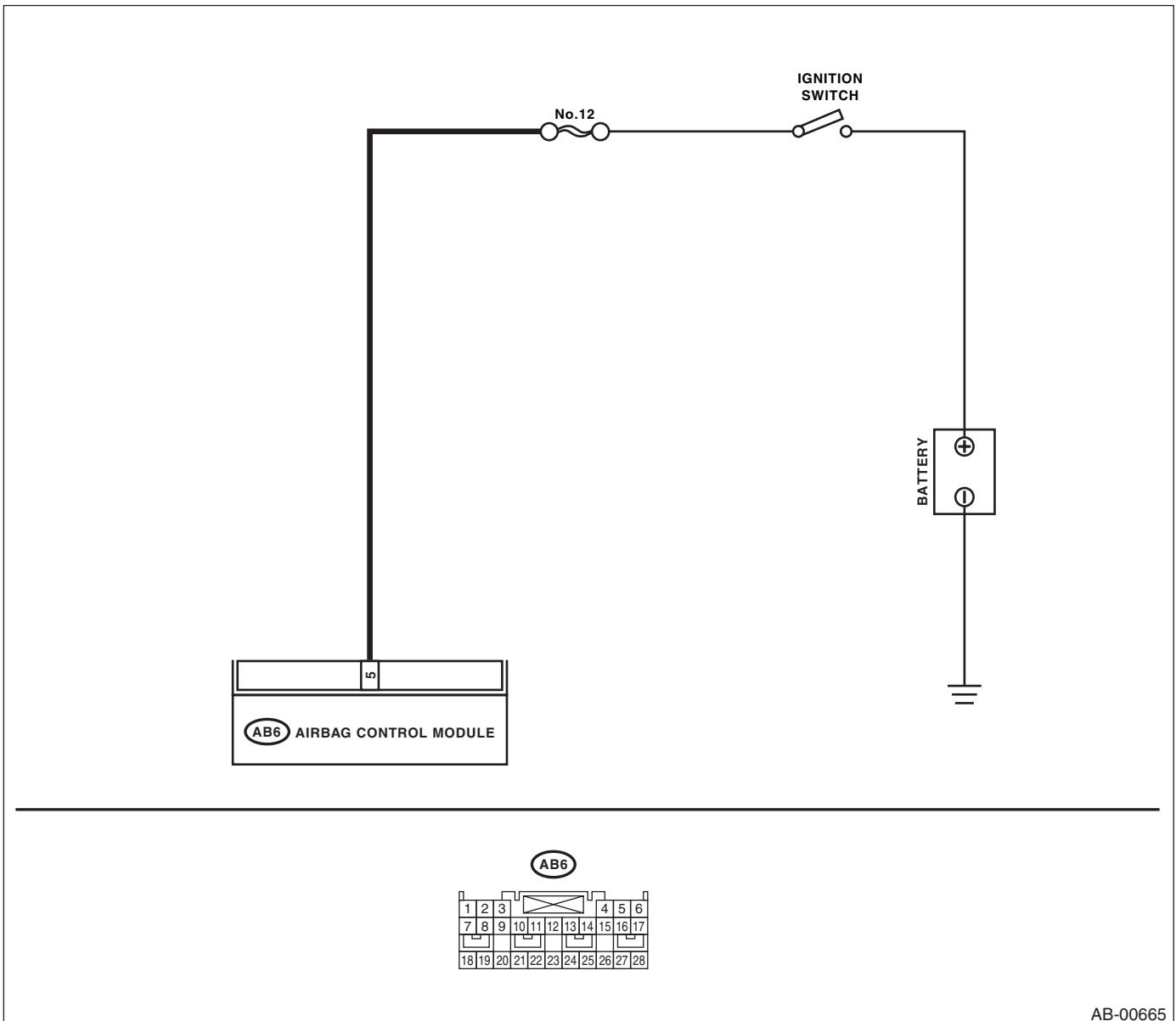
#### DTC DETECTING CONDITION:

- Airbag control module is faulty.
- Airbag main harness circuit is open.
- Fuse No. 12 (in joint box) is blown.
- Body harness circuit is open.

#### CAUTION:

- Before diagnosing the airbag system, be sure to turn the ignition switch OFF, disconnect the ground terminal from the battery, and wait more than 20 seconds before starting to work.
- Before replacing the airbag module, seat belt pretensioner, roll connector, control module and sensor, reconnect each part and confirm that the warning light operates properly.
- When inspecting the airbag main harness, disconnect the airbag module connector of the driver's and passenger's seats for safety reasons.

#### WIRING DIAGRAM:



AB-00665



# Diagnostic Chart with Trouble Code

AIRBAG SYSTEM (DIAGNOSTICS)

Step	Check	Yes	No
<b>1 CHECK AIRBAG CONTROL MODULE.</b> 1) Turn the ignition switch OFF, disconnect the battery ground terminal, and wait more than 20 seconds. 2) Disconnect the connector (AB6) from airbag control module. <Ref. to AB-20, Airbag Control Module.> 3) Connect the connector (1U) in the test harness U to connector (AB6). 4) Connect the battery ground terminal and turn the ignition switch ON. 5) Measure the voltage between connector (2U) in the test harness U and chassis ground. <b>Connector &amp; terminal</b> <b>(2U) No. 6 (+) — Chassis ground (-):</b>	Is the voltage more than 10 V?	Replace the airbag control module. <Ref. to AB-20, Airbag Control Module.>	Go to step 2.
<b>2 CHECK FUSE NO. 12 (IN JOINT BOX).</b> 1) Confirm that the ignition switch is turned OFF. 2) Remove the fuse No. 12 (in joint box) and perform visual inspection.	Is the fuse No. 12 blown out?	Replace the fuse No. 12. If fuse No. 12 is blown out again, repair the body harness.	Repair the body harness.

# Diagnostic Chart with Trouble Code

## AIRBAG SYSTEM (DIAGNOSTICS)

### J: DTC 31

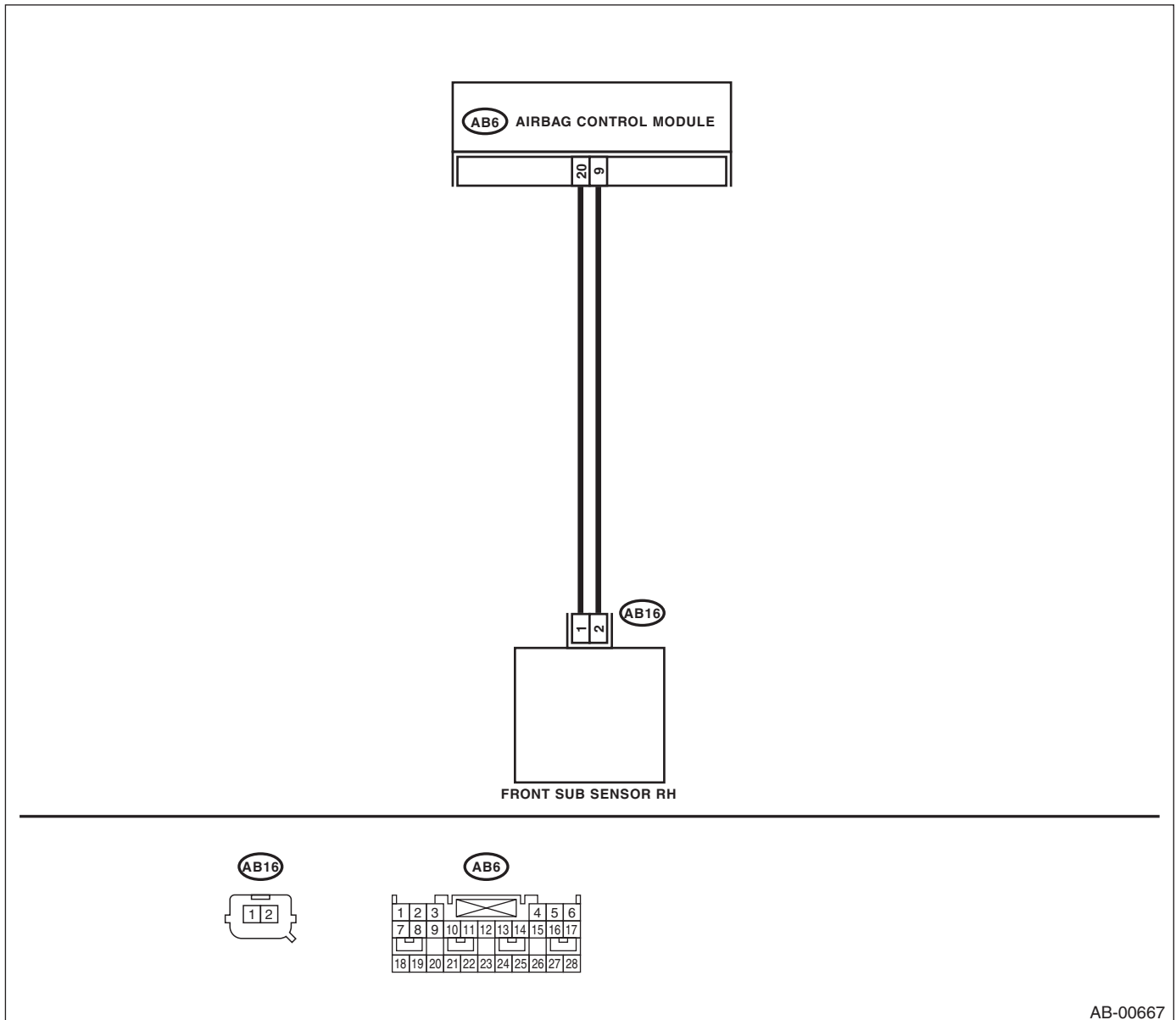
#### DTC DETECTING CONDITION:

- Front sub-sensor harness (RH) circuit is shorted.
- Front sub-sensor harness (RH) circuit is open.
- Front sub-sensor (RH) is faulty.
- Airbag control module is faulty.

#### CAUTION:

- Before diagnosing the airbag system, be sure to turn the ignition switch OFF, disconnect the ground terminal from the battery, and wait more than 20 seconds before starting to work.
- Before replacing the airbag module, seat belt pretensioner, roll connector, control module and sensor, reconnect each part and confirm that the warning light operates properly.
- When inspecting the airbag main harness, disconnect the airbag module connector of the driver's and passenger's seats for safety reasons.

#### WIRING DIAGRAM:



AB-00667

# Diagnostic Chart with Trouble Code

AIRBAG SYSTEM (DIAGNOSTICS)

Step	Check	Yes	No
<p><b>1</b></p> <p><b>CHECK AIRBAG MAIN HARNESS (FRONT SUB-SENSOR HARNESS RH).</b></p> <p>1) Turn the ignition switch OFF, disconnect the battery ground terminal, and wait more than 20 seconds.</p> <p>2) Remove the instrument panel lower cover and disconnect the connector (AB7) and (AB2).</p> <p>3) Remove the instrument panel side cover on passenger's side and disconnect the connector (AB10) and (AB9).</p> <p>4) Disconnect the connector (AB6) from airbag control module. &lt;Ref. to AB-20, Airbag Control Module.&gt;</p> <p>5) Connect the connector (1U) in the test harness U to connector (AB6).</p> <p>6) Disconnect the front sub-sensor (RH), and then connect the connector (1H) in the test harness H to connector (AB16).</p> <p>7) Measure the resistance between connector (3U) in the test harness U and connector (3H) in the test harness H.</p> <p><b>Connector &amp; terminal</b>  <b>(3U) No. 7 — (3H) No. 5:</b>  <b>(3U) No. 9 — (3H) No. 6:</b></p>	<p>Is the resistance less than 10 <math>\Omega</math>?</p>	<p>Go to step 2.</p>	<p>Replace the airbag main harness with body harness.</p>
<p><b>2</b></p> <p><b>CHECK AIRBAG MAIN HARNESS (FRONT SUB-SENSOR HARNESS RH).</b></p> <p>Measure the resistance between connector (3U) in the test harness U and chassis ground.</p> <p><b>Connector &amp; terminal</b>  <b>(3U) No. 7 — Chassis ground:</b>  <b>(3U) No. 9 — Chassis ground:</b></p>	<p>Is the resistance more than 1 M<math>\Omega</math>?</p>	<p>Replace the front sub-sensor (RH). &lt;Ref. to AB-24, Front Sub Sensor.&gt; When the sensor is not OK, though the sensor is replaced, replace the airbag control module. &lt;Ref. to AB-20, Airbag Control Module.&gt;</p>	<p>Replace the airbag main harness with body harness.</p>

# Diagnostic Chart with Trouble Code

## AIRBAG SYSTEM (DIAGNOSTICS)

### K: DTC 32

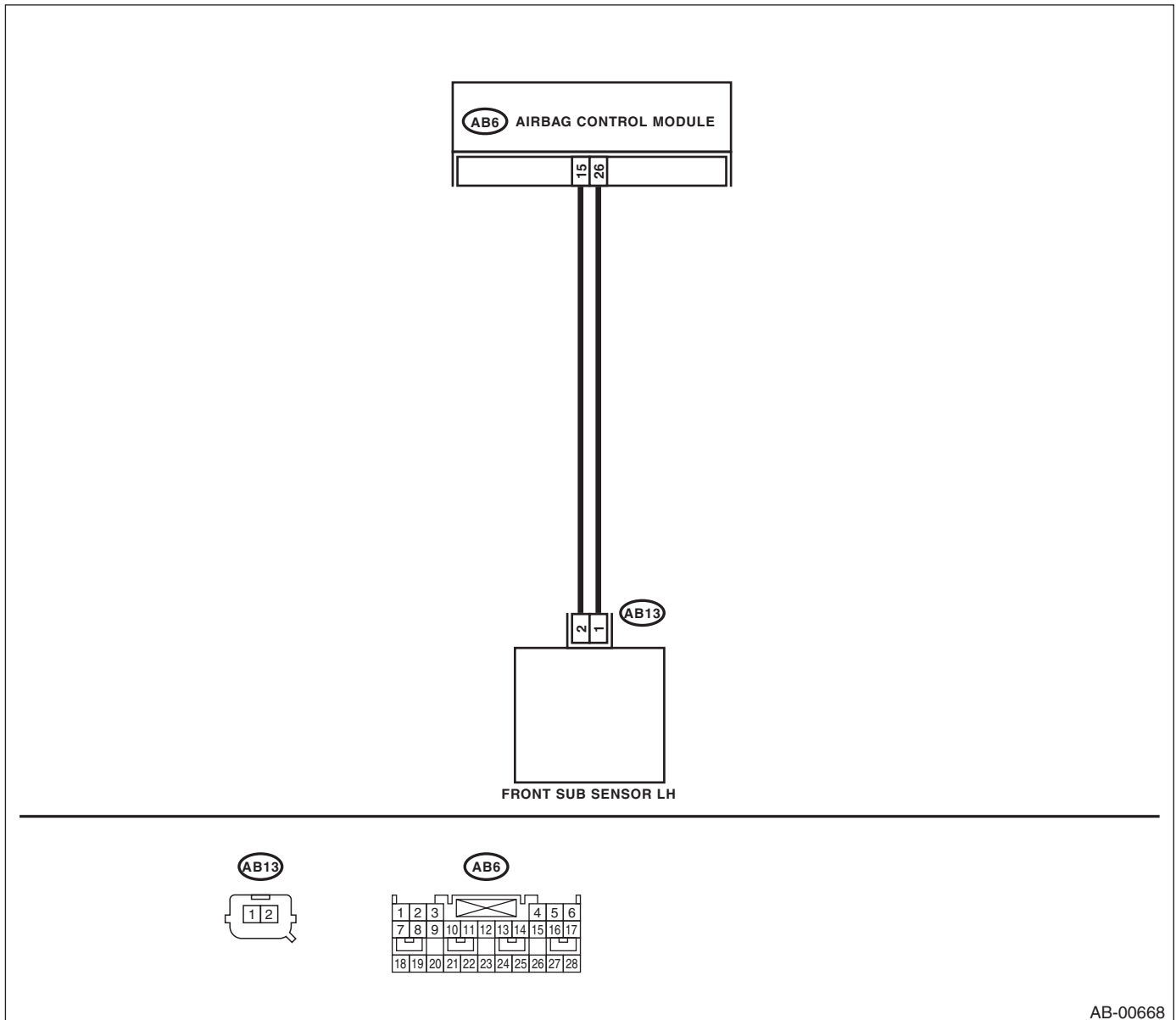
#### DTC DETECTING CONDITION:

- Front sub-sensor harness (LH) circuit is shorted.
- Front sub-sensor harness (LH) circuit is open.
- Front sub-sensor (LH) is faulty.
- Airbag control module is faulty.

#### CAUTION:

- Before diagnosing the airbag system, be sure to turn the ignition switch OFF, disconnect the ground terminal from battery, and wait more than 20 seconds before starting to work.
- Before replacing the airbag module, seat belt pretensioner, roll connector, control module and sensor, reconnect each part and confirm that the warning light operates properly.
- When inspecting the airbag main harness, disconnect the airbag module connector of the driver's and passenger's seats for safety reasons.

#### WIRING DIAGRAM:



# Diagnostic Chart with Trouble Code

AIRBAG SYSTEM (DIAGNOSTICS)

Step	Check	Yes	No
<p><b>1</b></p> <p><b>CHECK AIRBAG MAIN HARNESS (FRONT SUB-SENSOR HARNESS LH).</b></p> <p>1) Turn the ignition switch OFF, disconnect the battery ground terminal, and wait more than 20 seconds.</p> <p>2) Remove the instrument panel lower cover and disconnect the connector (AB7) and (AB2).</p> <p>3) Remove the instrument panel side cover on passenger's side and disconnect the connector (AB10) and (AB9).</p> <p>4) Disconnect the connector (AB6) from airbag control module. &lt;Ref. to AB-20, Airbag Control Module.&gt;</p> <p>5) Connect the connector (1U) in the test harness U to connector (AB6).</p> <p>6) Disconnect the front sub-sensor (LH), and then connect the connector (1H) in the test harness H to connector (AB13).</p> <p>7) Measure the resistance between connector (3U) in the test harness U and connector (3H) in the test harness H.</p> <p><b>Connector &amp; terminal</b>  <b>(3U) No. 6 — (3H) No. 5:</b>  <b>(3U) No. 8 — (3H) No. 6:</b></p>	<p>Is the resistance less than 10 <math>\Omega</math>?</p>	<p>Go to step 2.</p>	<p>Replace the airbag main harness with body harness.</p>
<p><b>2</b></p> <p><b>CHECK AIRBAG MAIN HARNESS (FRONT SUB-SENSOR HARNESS LH).</b></p> <p>Measure the resistance between connector (3U) in the test harness U and chassis ground.</p> <p><b>Connector &amp; terminal</b>  <b>(3U) No. 6 — Chassis ground:</b>  <b>(3U) No. 8 — Chassis ground:</b></p>	<p>Is the resistance more than 1 M<math>\Omega</math>?</p>	<p>Replace the front sub-sensor (LH). &lt;Ref. to AB-24, Front Sub Sensor.&gt; When the sensor is not OK, though the sensor is replaced, replace the airbag control module. &lt;Ref. to AB-20, Airbag Control Module.&gt;</p>	<p>Replace the airbag main harness with body harness.</p>

## L: DTC 33

### DTC DETECTING CONDITION:

Front sub-sensor (RH) is faulty.

When DTC 33 is displayed, the circuit within the front sub-sensor (RH) is faulty. Replace the front sub-sensor (RH). <Ref. to AB-24, Front Sub Sensor.>

## M: DTC 34

### DTC DETECTING CONDITION:

Front sub-sensor (LH) is faulty.

When DTC 34 is displayed, the circuit within the front sub-sensor (LH) is faulty. Replace the front sub-sensor (LH). <Ref. to AB-24, Front Sub Sensor.>

# Diagnostic Chart with Trouble Code

## AIRBAG SYSTEM (DIAGNOSTICS)

### N: DTC 41

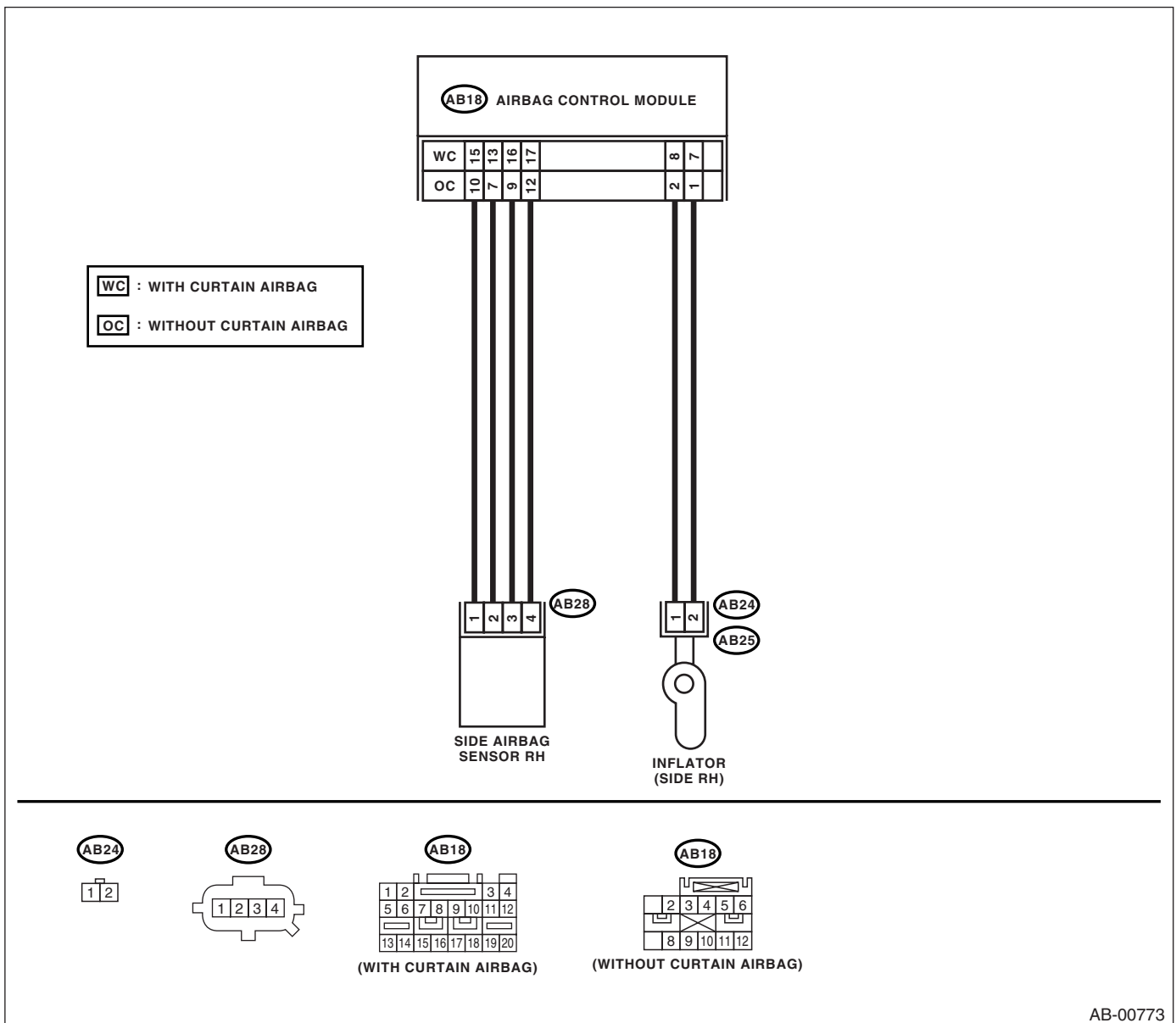
#### DTC DETECTING CONDITION:

- Side airbag harness (RH) is faulty.
- Side airbag module (RH) is faulty.
- Airbag control module is faulty.

#### CAUTION:

- Before diagnosing the airbag system, be sure to turn the ignition switch OFF, disconnect the ground terminal from battery, and wait more than 20 seconds before starting to work.
- Before replacing the airbag module, seat belt pretensioner, roll connector, control module and sensor, reconnect each part and confirm that the warning light operates properly.
- When inspecting the airbag main harness, disconnect the airbag module connector of the driver's and passenger's seats for safety reasons.
- When inspecting the airbag rear harness, disconnect the side airbag module connector, curtain airbag module connector and seat belt pretensioner connector for safety reasons.

#### WIRING DIAGRAM:



AB-00773

# Diagnostic Chart with Trouble Code

AIRBAG SYSTEM (DIAGNOSTICS)

## 1. MODEL WITH CURTAIN AIRBAG

Step	Check	Yes	No
<b>1 CHECK SIDE AIRBAG MODULE.</b> 1) Turn the ignition switch OFF, disconnect the battery ground terminal, and wait more than 20 seconds. 2) Disconnect the connector (AB25) from (AB24), and connect the connector (1F) in test harness F to connector (AB24). 3) Connect the airbag resistor to the connector (3F) in the test harness F. 4) Connect the battery ground terminal and turn the ignition switch ON.	Does the airbag warning light operate properly?	Replace the front seat with side airbag module (RH). <Ref. to SE-7, Front Seat.>	Go to step 2.
<b>2 CHECK AIRBAG REAR HARNESS (SIDE AIRBAG MODULE HARNESS RH).</b> 1) Turn the ignition switch OFF, disconnect the battery ground terminal, and wait more than 20 seconds. 2) Disconnect the connector (AB26) from seat belt pretensioner (RH). <Ref. to SB-12, Front Seat Belt.> 3) Disconnect the connector (AB33) from curtain airbag module (RH). 4) Disconnect the airbag resistor from the test harness F. 5) Disconnect the connector (AB18) from airbag control module. <Ref. to AB-20, Airbag Control Module.> 6) Connect the connector (1U) in the test harness U to connector (AB18). 7) Measure the resistance between connector (3U) in the test harness U and connector (3F) in the test harness F. <i><b>Connector &amp; terminal</b></i> <i><b>(3U) No. 20 — (3F) No. 3:</b></i> <i><b>(3U) No. 18 — (3F) No. 4:</b></i>	Is the resistance less than 10 Ω?	Go to step 3.	Replace the airbag rear harness with body harness.
<b>3 CHECK AIRBAG REAR HARNESS (SIDE AIRBAG MODULE HARNESS RH).</b> Measure the resistance between connector (3U) terminals in the test harness U. <i><b>Connector &amp; terminal</b></i> <i><b>(3U) No. 20 — (3U) No. 18:</b></i>	Is the resistance more than 1 MΩ?	Go to step 4.	Replace the airbag rear harness with body harness.
<b>4 CHECK AIRBAG REAR HARNESS (SIDE AIRBAG MODULE HARNESS RH).</b> Measure the resistance between the terminals of connector (3F) in the test harness F. <i><b>Connector &amp; terminal</b></i> <i><b>(3F) No. 3 — (3F) No. 4:</b></i>	Is the resistance more than 1 MΩ?	Go to step 5.	Replace the airbag rear harness with body harness.
<b>5 CHECK AIRBAG REAR HARNESS (SIDE AIRBAG MODULE HARNESS RH).</b> Measure the resistance between connector (3F) in the test harness F and chassis ground. <i><b>Connector &amp; terminal</b></i> <i><b>(3F) No. 3 — Chassis ground:</b></i> <i><b>(3F) No. 4 — Chassis ground:</b></i>	Is the resistance more than 1 MΩ?	Go to step 6.	Replace the airbag rear harness with body harness.

# Diagnostic Chart with Trouble Code

## AIRBAG SYSTEM (DIAGNOSTICS)

Step	Check	Yes	No
<b>6</b> <b>CHECK AIRBAG REAR HARNESS (SIDE AIRBAG MODULE HARNESS RH).</b> Measure the resistance between connector (3U) in the test harness U and chassis ground. <b>Connector &amp; terminal</b> <b>(3U) No. 20 — Chassis ground:</b> <b>(3U) No. 18 — Chassis ground:</b>	Is the resistance more than 1 M $\Omega$ ?	Replace the airbag control module. <Ref. to AB-20, Airbag Control Module.>	Replace the airbag rear harness with body harness.



# Diagnostic Chart with Trouble Code

AIRBAG SYSTEM (DIAGNOSTICS)

## 2. MODEL WITHOUT CURTAIN AIRBAG

Step	Check	Yes	No
<b>1 CHECK SIDE AIRBAG MODULE.</b> 1) Turn the ignition switch OFF, disconnect the battery ground terminal, and wait more than 20 seconds. 2) Disconnect the connector (AB25) from (AB24), and connect the connector (1F) in test harness F to connector (AB24). 3) Connect the airbag resistor to the connector (3F) in the test harness F. 4) Connect the battery ground terminal and turn the ignition switch ON.	Does the airbag warning light operate properly?	Replace the front seat with side airbag module (RH). <Ref. to SE-7, Front Seat.>	Go to step 2.
<b>2 CHECK AIRBAG REAR HARNESS (SIDE AIRBAG MODULE HARNESS RH).</b> 1) Turn the ignition switch OFF, disconnect the battery ground terminal, and wait more than 20 seconds. 2) Disconnect the connector (AB26) from seat belt pretensioner (RH). <Ref. to SB-12, Front Seat Belt.> 3) Disconnect the connector (AB33) from curtain airbag module (RH). 4) Disconnect the airbag resistor from the test harness F. 5) Disconnect the connector (AB18) from airbag control module. <Ref. to AB-20, Airbag Control Module.> 6) Connect the connector (1R) in the test harness R to connector (AB18). 7) Measure the resistance between connector (3R) in the test harness R and connector (3F) in the test harness F. <b>Connector &amp; terminal</b> <b>(3R) No. 20 — (3F) No. 3:</b> <b>(3R) No. 18 — (3F) No. 4:</b>	Is the resistance less than 10 Ω?	Go to step 3.	Replace the airbag rear harness with body harness.
<b>3 CHECK AIRBAG REAR HARNESS (SIDE AIRBAG MODULE HARNESS RH).</b> Measure the resistance between connector (3R) terminals in the test harness R. <b>Connector &amp; terminal</b> <b>(3R) No. 20 — (3R) No. 18:</b>	Is the resistance more than 1 MΩ?	Go to step 4.	Replace the airbag rear harness with body harness.
<b>4 CHECK AIRBAG REAR HARNESS (SIDE AIRBAG MODULE HARNESS RH).</b> Measure the resistance between the terminals of connector (3F) in the test harness F. <b>Connector &amp; terminal</b> <b>(3F) No. 3 — (3F) No. 4:</b>	Is the resistance more than 1 MΩ?	Go to step 5.	Replace the airbag rear harness with body harness.
<b>5 CHECK AIRBAG REAR HARNESS (SIDE AIRBAG MODULE HARNESS RH).</b> Measure the resistance between connector (3F) in the test harness F and chassis ground. <b>Connector &amp; terminal</b> <b>(3F) No. 3 — Chassis ground:</b> <b>(3F) No. 4 — Chassis ground:</b>	Is the resistance more than 1 MΩ?	Go to step 6.	Replace the airbag rear harness with body harness.

# Diagnostic Chart with Trouble Code

## AIRBAG SYSTEM (DIAGNOSTICS)

Step	Check	Yes	No
<b>6</b> <b>CHECK AIRBAG REAR HARNESS (SIDE AIRBAG MODULE HARNESS RH).</b> Measure the resistance between connector (3R) in the test harness R and chassis ground. <b>Connector &amp; terminal</b> <b>(3R) No. 20 — Chassis ground:</b> <b>(3R) No. 18 — Chassis ground:</b>	Is the resistance more than 1 M $\Omega$ ?	Replace the airbag control module. <Ref. to AB-20, Airbag Control Module.>	Replace the airbag rear harness with body harness.

# Diagnostic Chart with Trouble Code

AIRBAG SYSTEM (DIAGNOSTICS)

## O: DTC 42

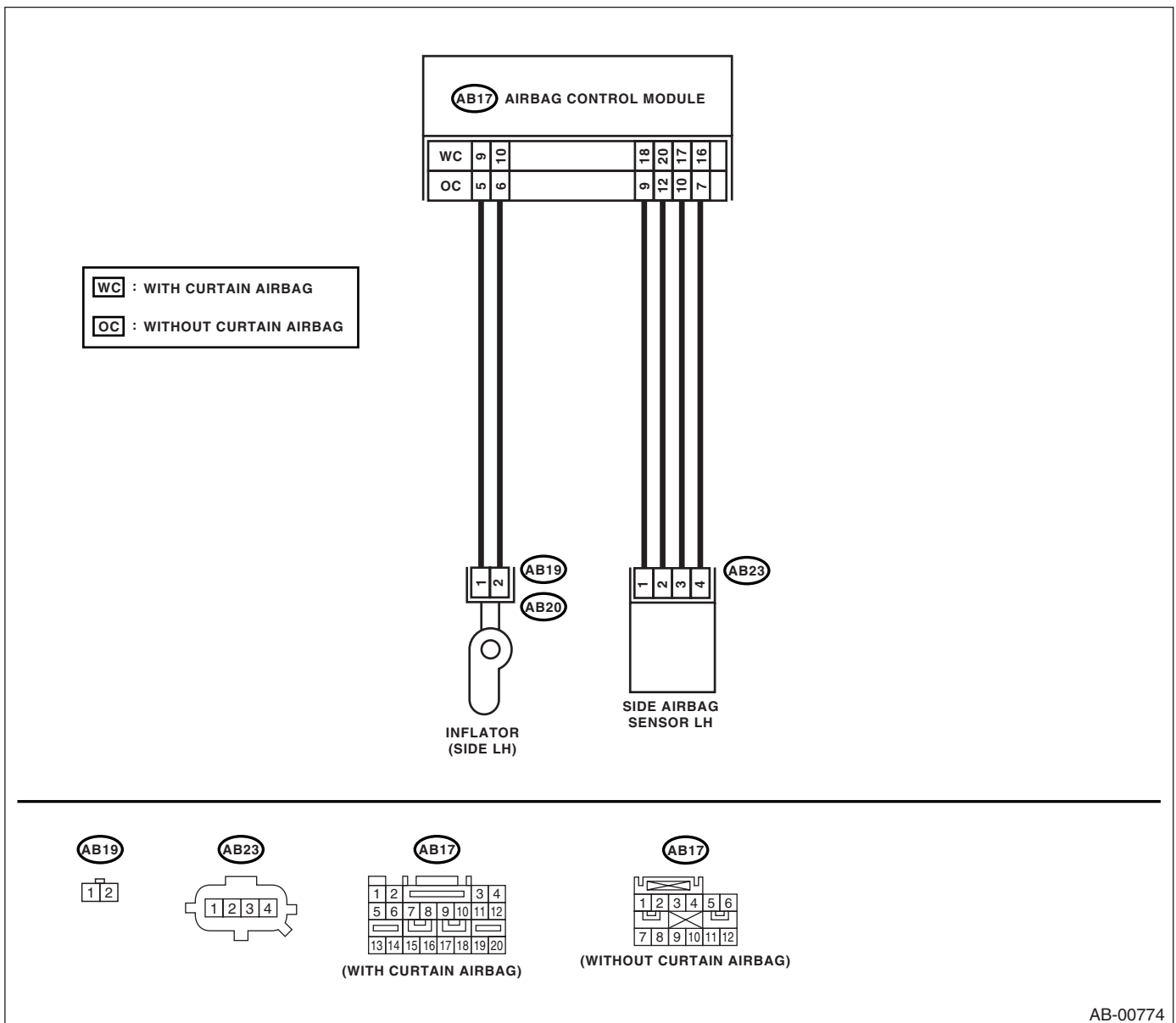
### DTC DETECTING CONDITION:

- Side airbag harness (LH) is faulty.
- Side airbag module (LH) is faulty.
- Airbag control module is faulty.

### CAUTION:

- Before diagnosing the airbag system, be sure to turn the ignition switch OFF, disconnect the ground terminal from battery, and wait more than 20 seconds before starting to work.
- Before replacing the airbag module, seat belt pretensioner, roll connector, control module and sensor, reconnect each part and confirm that the warning light operates properly.
- When inspecting the airbag main harness, disconnect the airbag module connector of the driver's and passenger's seats for safety reasons.
- When inspecting the airbag rear harness, disconnect the side airbag module connector, curtain airbag module connector and seat belt pretensioner connector for safety reasons.

### WIRING DIAGRAM:



# Diagnostic Chart with Trouble Code

## AIRBAG SYSTEM (DIAGNOSTICS)

### 1. MODEL WITH CURTAIN AIRBAG

Step	Check	Yes	No
<b>1 CHECK SIDE AIRBAG MODULE.</b> 1) Turn the ignition switch OFF, disconnect the battery ground terminal, and wait more than 20 seconds. 2) Disconnect the connector (AB20) from (AB19), and connect the connector (1F) in test harness F to connector (AB19). 3) Connect the airbag resistor to connector (3F) in the test harness F. 4) Connect the battery ground terminal and turn the ignition switch ON.	Does the airbag warning light operate properly?	Replace the front seat with side airbag module (LH). <Ref. to SE-7, Front Seat.>	Go to step 2.
<b>2 CHECK AIRBAG REAR HARNESS (SIDE AIRBAG MODULE HARNESS LH).</b> 1) Turn the ignition switch OFF, disconnect the battery ground terminal, and wait more than 20 seconds. 2) Disconnect the connector (AB21) from seat belt pretensioner (LH). <Ref. to SB-12, Front Seat Belt.> 3) Disconnect the connector (AB31) from curtain airbag module (LH). 4) Disconnect the airbag resistor from test harness. 5) Disconnect the connector (AB17) from airbag control module. <Ref. to AB-20, Airbag Control Module.> 6) Connect the connector (1U) in the test harness U to connector (AB17). 7) Measure the resistance between connector (3U) in the test harness U and connector (3F) in the test harness F. <b>Connector &amp; terminal</b> (3U) No. 12 — (3F) No. 3: (3U) No. 10 — (3F) No. 4:	Is the resistance less than 10 Ω?	Go to step 3.	Replace the airbag rear harness with body harness.
<b>3 CHECK AIRBAG REAR HARNESS (SIDE AIRBAG MODULE HARNESS LH).</b> Measure the resistance between connector (3U) terminals in the test harness U. <b>Connector &amp; terminal</b> (3U) No. 12 — (3U) No. 10:	Is the resistance more than 1 MΩ?	Go to step 4.	Replace the airbag rear harness with body harness.
<b>4 CHECK AIRBAG REAR HARNESS (SIDE AIRBAG MODULE HARNESS LH).</b> Measure the resistance between the terminals of connector (3F) in the test harness F. <b>Connector &amp; terminal</b> (3F) No. 3 — (3F) No. 4:	Is the resistance more than 1 MΩ?	Go to step 5.	Replace the airbag rear harness with body harness.
<b>5 CHECK AIRBAG REAR HARNESS (SIDE AIRBAG MODULE HARNESS LH).</b> Measure the resistance between connector (3F) in the test harness F and chassis ground. <b>Connector &amp; terminal</b> (3F) No. 3 — Chassis ground: (3F) No. 4 — Chassis ground:	Is the resistance more than 1 MΩ?	Go to step 6.	Replace the airbag rear harness with body harness.

# Diagnostic Chart with Trouble Code

AIRBAG SYSTEM (DIAGNOSTICS)

Step	Check	Yes	No
<b>6</b> <b>CHECK AIRBAG REAR HARNESS (SIDE AIRBAG MODULE HARNESS LH).</b> Measure the resistance between connector (3U) in the test harness U and chassis ground. <b>Connector &amp; terminal</b> <b>(3U) No. 12 — Chassis ground:</b> <b>(3U) No. 10 — Chassis ground:</b>	Is the resistance more than 1 M $\Omega$ ?	Replace the airbag control module. <Ref. to AB-20, Airbag Control Module.>	Replace the airbag rear harness with body harness.

# Diagnostic Chart with Trouble Code

## AIRBAG SYSTEM (DIAGNOSTICS)

### 2. MODEL WITHOUT CURTAIN AIRBAG

Step	Check	Yes	No
<b>1 CHECK SIDE AIRBAG MODULE.</b> 1) Turn the ignition switch OFF, disconnect the battery ground terminal, and wait more than 20 seconds. 2) Disconnect the connector (AB20) from (AB19), and connect the connector (1F) in test harness F to connector (AB19). 3) Connect the airbag resistor to connector (3F) in the test harness F. 4) Connect the battery ground terminal and turn the ignition switch ON.	Does the airbag warning light operate properly?	Replace the front seat with side airbag module (LH). <Ref. to SE-7, Front Seat.>	Go to step 2.
<b>2 CHECK AIRBAG REAR HARNESS (SIDE AIRBAG MODULE HARNESS LH).</b> 1) Turn the ignition switch OFF, disconnect the battery ground terminal, and wait more than 20 seconds. 2) Disconnect the connector (AB21) from seat belt pretensioner (LH). <Ref. to SB-12, Front Seat Belt.> 3) Disconnect the connector (AB31) from curtain airbag module (LH). 4) Disconnect the airbag resistor from test harness. 5) Disconnect the connector (AB17) from airbag control module. <Ref. to AB-20, Airbag Control Module.> 6) Connect the connector (1R) in the test harness R to connector (AB17). 7) Measure the resistance between connector (3R) in the test harness R and connector (3F) in the test harness F. <i><b>Connector &amp; terminal</b></i> <i><b>(3R) No. 12 — (3F) No. 3:</b></i> <i><b>(3R) No. 10 — (3F) No. 4:</b></i>	Is the resistance less than 10 $\Omega$ ?	Go to step 3.	Replace the airbag rear harness with body harness.
<b>3 CHECK AIRBAG REAR HARNESS (SIDE AIRBAG MODULE HARNESS LH).</b> Measure the resistance between connector (3R) terminals in the test harness R. <i><b>Connector &amp; terminal</b></i> <i><b>(3R) No. 12 — (3R) No. 10:</b></i>	Is the resistance more than 1 M $\Omega$ ?	Go to step 4.	Replace the airbag rear harness with body harness.
<b>4 CHECK AIRBAG REAR HARNESS (SIDE AIRBAG MODULE HARNESS LH).</b> Measure the resistance between the terminals of connector (3F) in the test harness F. <i><b>Connector &amp; terminal</b></i> <i><b>(3F) No. 3 — (3F) No. 4:</b></i>	Is the resistance more than 1 M $\Omega$ ?	Go to step 5.	Replace the airbag rear harness with body harness.
<b>5 CHECK AIRBAG REAR HARNESS (SIDE AIRBAG MODULE HARNESS LH).</b> Measure the resistance between connector (3F) in the test harness F and chassis ground. <i><b>Connector &amp; terminal</b></i> <i><b>(3F) No. 3 — Chassis ground:</b></i> <i><b>(3F) No. 4 — Chassis ground:</b></i>	Is the resistance more than 1 M $\Omega$ ?	Go to step 6.	Replace the airbag rear harness with body harness.

# Diagnostic Chart with Trouble Code

AIRBAG SYSTEM (DIAGNOSTICS)

Step	Check	Yes	No
<b>6</b> <b>CHECK AIRBAG REAR HARNESS (SIDE AIRBAG MODULE HARNESS LH).</b> Measure the resistance between connector (3R) in the test harness R and chassis ground. <b>Connector &amp; terminal</b> <b>(3R) No. 12 — Chassis ground:</b> <b>(3R) No. 10 — Chassis ground:</b>	Is the resistance more than 1 MΩ?	Replace the airbag control module. <Ref. to AB-20, Airbag Control Module.>	Replace the airbag rear harness with body harness.

# Diagnostic Chart with Trouble Code

## AIRBAG SYSTEM (DIAGNOSTICS)

### P: DTC 45

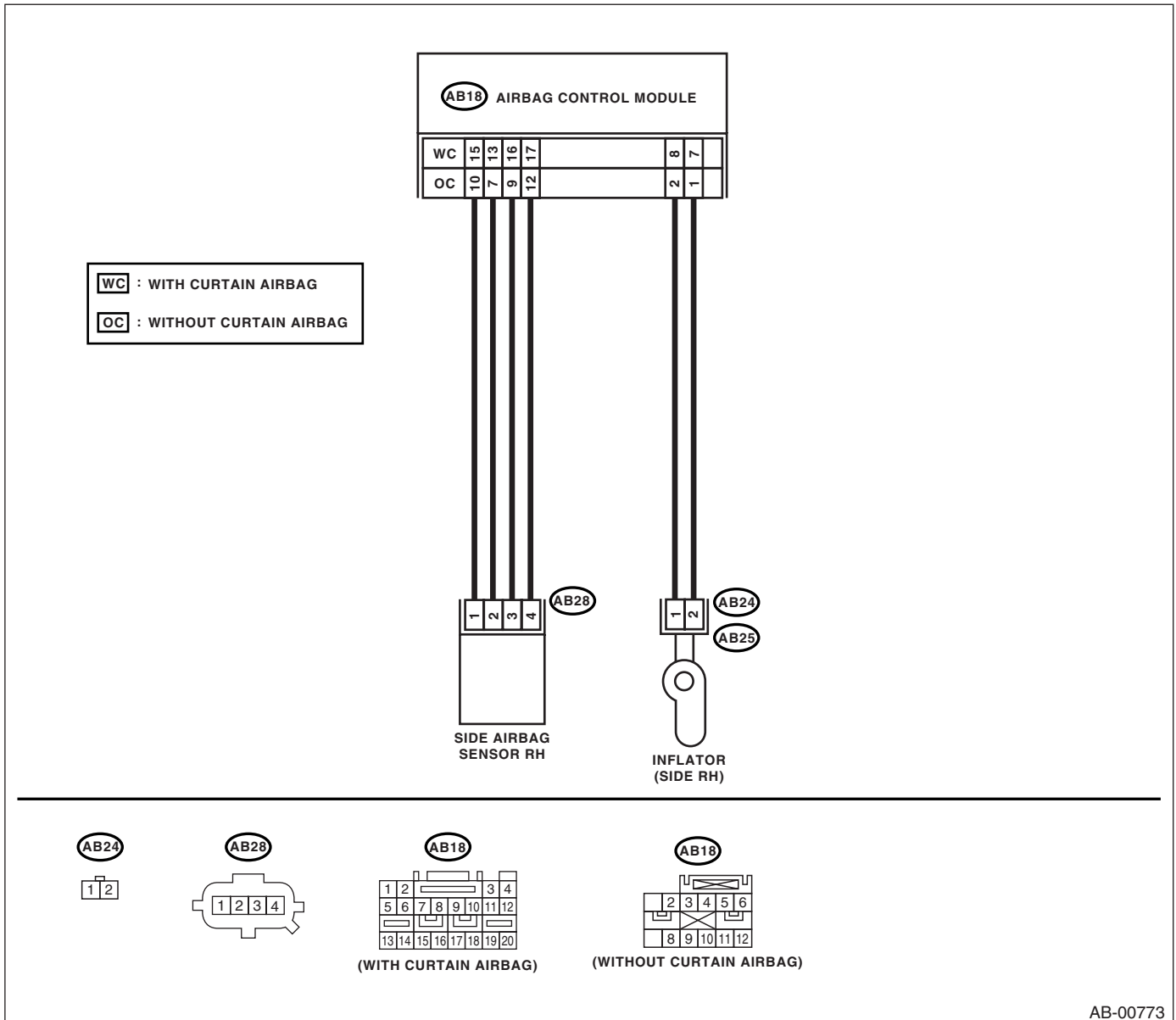
#### DTC DETECTING CONDITION:

- Side airbag harness (RH) is shorted to power supply.
- Airbag control module is faulty.

#### CAUTION:

- Before diagnosing the airbag system, be sure to turn the ignition switch OFF, disconnect the ground terminal from battery, and wait more than 20 seconds before starting to work.
- Before replacing the airbag module, seat belt pretensioner, roll connector, control module and sensor, reconnect each part and confirm that the warning light operates properly.
- When inspecting the airbag main harness, disconnect the airbag module connector of the driver's and passenger's seats for safety reasons.
- When inspecting the airbag rear harness, disconnect the side airbag module connector, curtain airbag module connector and seat belt pretensioner connector for safety reasons.

#### WIRING DIAGRAM:



AB-00773



# Diagnostic Chart with Trouble Code

AIRBAG SYSTEM (DIAGNOSTICS)

## 1. MODEL WITH CURTAIN AIRBAG

Step	Check	Yes	No
<b>1 CHECK SIDE AIRBAG MODULE.</b> 1) Turn the ignition switch OFF, disconnect the battery ground terminal, and wait more than 20 seconds. 2) Disconnect the connector (AB25) from (AB24), and connect the connector (1F) in test harness F to connector (AB24). 3) Connect the airbag resistor to connector (3F) in the test harness F. 4) Connect the battery ground terminal and turn the ignition switch ON.	Does the airbag warning light operate properly?	Replace the front seat with side airbag module (RH). <Ref. to SE-7, Front Seat.>	Go to step 2.
<b>2 CHECK AIRBAG REAR HARNESS (SIDE AIRBAG MODULE HARNESS RH).</b> 1) Turn the ignition switch OFF, disconnect the battery ground terminal, and wait more than 20 seconds. 2) Disconnect the connector (AB26) from seat belt pretensioner (RH). <Ref. to SB-12, Front Seat Belt.> 3) Disconnect the connector (AB33) from curtain airbag module (RH). 4) Disconnect the airbag resistor from test harness. 5) Disconnect the connector (AB18) from airbag control module. <Ref. to AB-20, Airbag Control Module.> 6) Connect the connector (1U) in the test harness U to connector (AB18). 7) Connect the battery ground terminal and turn the ignition switch ON. 8) Measure the voltage between connector (3U) in the test harness U and chassis ground. <b>Connector &amp; terminal</b> (3U) No. 20 (+) — Chassis ground (-): (3U) No. 18 (+) — Chassis ground (-):	Is the voltage less than 1 V?	Replace the airbag control module. <Ref. to AB-20, Airbag Control Module.>	Replace the airbag rear harness with body harness.

## Diagnostic Chart with Trouble Code

### AIRBAG SYSTEM (DIAGNOSTICS)

#### 2. MODEL WITHOUT CURTAIN AIRBAG

Step	Check	Yes	No
<b>1 CHECK SIDE AIRBAG MODULE.</b> 1) Turn the ignition switch OFF, disconnect the battery ground terminal, and wait more than 20 seconds. 2) Disconnect the connector (AB25) from (AB24), and connect the connector (1F) in test harness F to connector (AB24). 3) Connect the airbag resistor to connector (3F) in the test harness F. 4) Connect the battery ground terminal and turn the ignition switch ON.	Does the airbag warning light operate properly?	Replace the front seat with side airbag module (RH). <Ref. to SE-7, Front Seat.>	Go to step 2.
<b>2 CHECK AIRBAG REAR HARNESS (SIDE AIRBAG MODULE HARNESS RH).</b> 1) Turn the ignition switch OFF, disconnect the battery ground terminal, and wait more than 20 seconds. 2) Disconnect the connector (AB26) from seat belt pretensioner (RH). <Ref. to SB-12, Front Seat Belt.> 3) Disconnect the connector (AB33) from curtain airbag module (RH). 4) Disconnect the airbag resistor from test harness. 5) Disconnect the connector (AB18) from airbag control module. <Ref. to AB-20, Airbag Control Module.> 6) Connect the connector (1R) in the test harness R to connector (AB18). 7) Connect the battery ground terminal and turn the ignition switch ON. 8) Measure the voltage between connector (3R) in the test harness R and chassis ground. <b>Connector &amp; terminal</b> (3R) No. 20 (+) — Chassis ground (-): (3R) No. 18 (+) — Chassis ground (-):	Is the voltage less than 1 V?	Replace the airbag control module. <Ref. to AB-20, Airbag Control Module.>	Replace the airbag rear harness with body harness.

# Diagnostic Chart with Trouble Code

AIRBAG SYSTEM (DIAGNOSTICS)

## Q: DTC 46

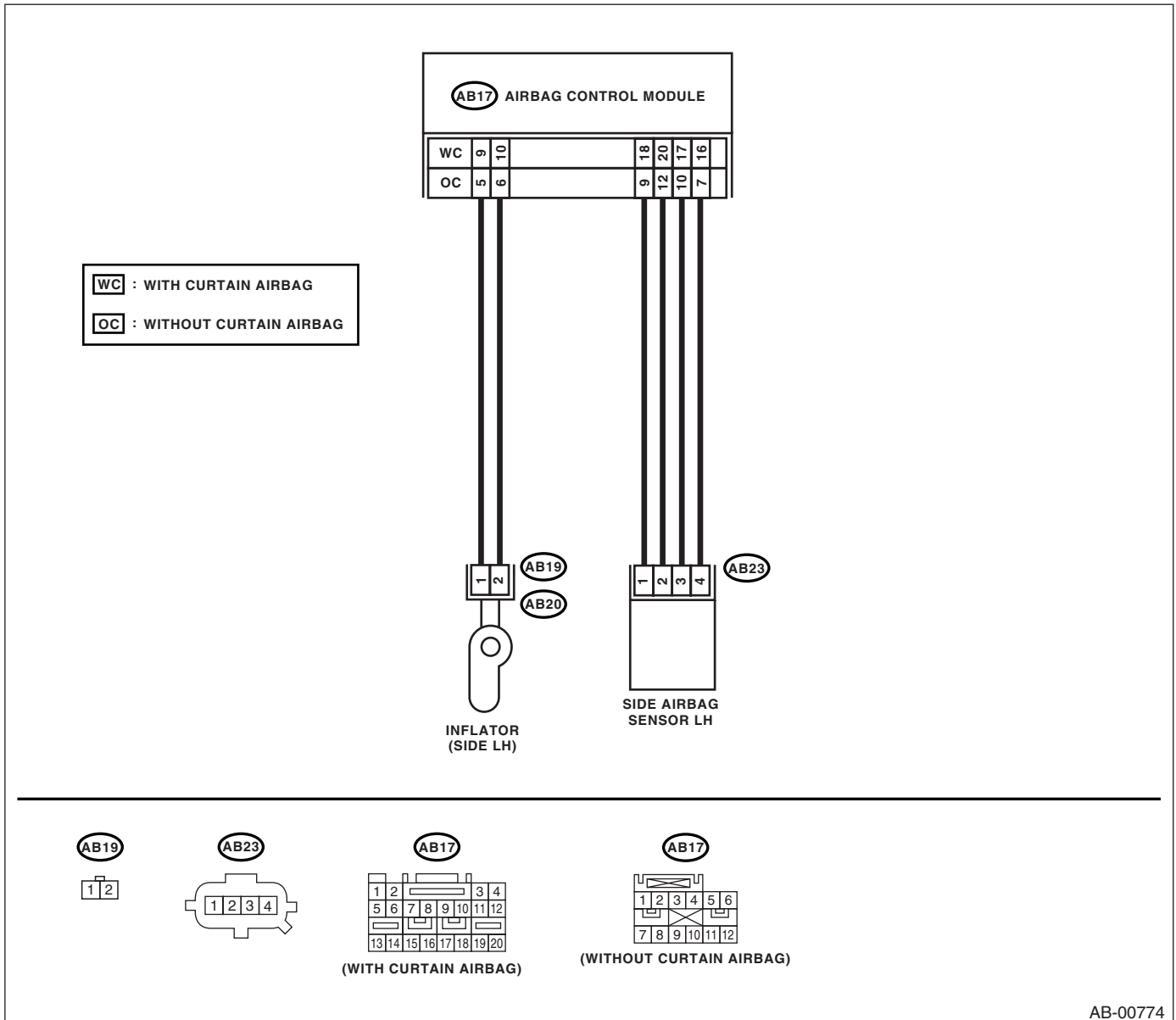
### DTC DETECTING CONDITION:

- Side airbag harness (LH) is shorted to power supply.
- Airbag control module is faulty.

### CAUTION:

- Before diagnosing the airbag system, be sure to turn the ignition switch OFF, disconnect the ground terminal from battery, and wait more than 20 seconds before starting to work.
- Before replacing the airbag module, seat belt pretensioner, roll connector, control module and sensor, reconnect each part and confirm that the warning light operates properly.
- When inspecting the airbag main harness, disconnect the airbag module connector of the driver's and passenger's seats for safety reasons.
- When inspecting the airbag rear harness, disconnect the side airbag module connector, curtain airbag module connector and seat belt pretensioner connector for safety reasons.

### WIRING DIAGRAM:



# Diagnostic Chart with Trouble Code

## AIRBAG SYSTEM (DIAGNOSTICS)

### 1. MODEL WITH CURTAIN AIRBAG

Step	Check	Yes	No
<b>1 CHECK SIDE AIRBAG MODULE.</b> 1) Turn the ignition switch OFF, disconnect the battery ground terminal, and wait more than 20 seconds. 2) Disconnect the connector (AB20) from (AB19), and connect the connector (1F) in test harness F to connector (AB19). 3) Connect the airbag resistor to connector (3F) in the test harness F. 4) Connect the battery ground terminal and turn the ignition switch ON.	Does the airbag warning light operate properly?	Replace the side airbag module (LH) with front seat. <Ref. to SE-7, Front Seat.>	Go to step 2.
<b>2 CHECK AIRBAG REAR HARNESS (SIDE AIRBAG MODULE HARNESS LH).</b> 1) Turn the ignition switch OFF, disconnect the battery ground terminal, and wait more than 20 seconds. 2) Disconnect the connector (AB21) from seat belt pretensioner (LH). <Ref. to SB-12, Front Seat Belt.> 3) Disconnect the connector (AB31) from curtain airbag module (LH). 4) Disconnect the airbag resistor from test harness. 5) Disconnect the connector (AB17) from airbag control module. <Ref. to AB-20, Airbag Control Module.> 6) Connect the connector (1U) in the test harness U to connector (AB17). 7) Connect the battery ground terminal and turn the ignition switch ON. 8) Measure the voltage between connector (3U) in the test harness U and chassis ground. <b>Connector &amp; terminal</b> (3U) No. 12 (+) — Chassis ground (-): (3U) No. 10 (+) — Chassis ground (-):	Is the voltage less than 1 V?	Replace the airbag control module. <Ref. to AB-20, Airbag Control Module.>	Replace the airbag rear harness with body harness.

# Diagnostic Chart with Trouble Code

AIRBAG SYSTEM (DIAGNOSTICS)

## 2. MODEL WITHOUT CURTAIN AIRBAG

Step	Check	Yes	No
<b>1 CHECK SIDE AIRBAG MODULE.</b> 1) Turn the ignition switch OFF, disconnect the battery ground terminal, and wait more than 20 seconds. 2) Disconnect the connector (AB20) from (AB19), and connect the connector (1F) in test harness F to connector (AB19). 3) Connect the airbag resistor to connector (3F) in the test harness F. 4) Connect the battery ground terminal and turn the ignition switch ON.	Does the airbag warning light operate properly?	Replace the side airbag module (LH) with front seat. <Ref. to SE-7, Front Seat.>	Go to step 2.
<b>2 CHECK AIRBAG REAR HARNESS (SIDE AIRBAG MODULE HARNESS LH).</b> 1) Turn the ignition switch OFF, disconnect the battery ground terminal, and wait more than 20 seconds. 2) Disconnect the connector (AB21) from seat belt pretensioner (LH). <Ref. to SB-12, Front Seat Belt.> 3) Disconnect the connector (AB31) from curtain airbag module (LH). 4) Disconnect the airbag resistor from test harness. 5) Disconnect the connector (AB17) from airbag control module. <Ref. to AB-20, Airbag Control Module.> 6) Connect the connector (1R) in the test harness R to connector (AB17). 7) Connect the battery ground terminal and turn the ignition switch ON. 8) Measure the voltage between connector (3R) in the test harness R and chassis ground. <b>Connector &amp; terminal</b> (3R) No. 12 (+) — Chassis ground (-): (3R) No. 10 (+) — Chassis ground (-):	Is the voltage less than 1 V?	Replace the airbag control module. <Ref. to AB-20, Airbag Control Module.>	Replace the airbag rear harness with body harness.

# Diagnostic Chart with Trouble Code

## AIRBAG SYSTEM (DIAGNOSTICS)

### R: DTC 51

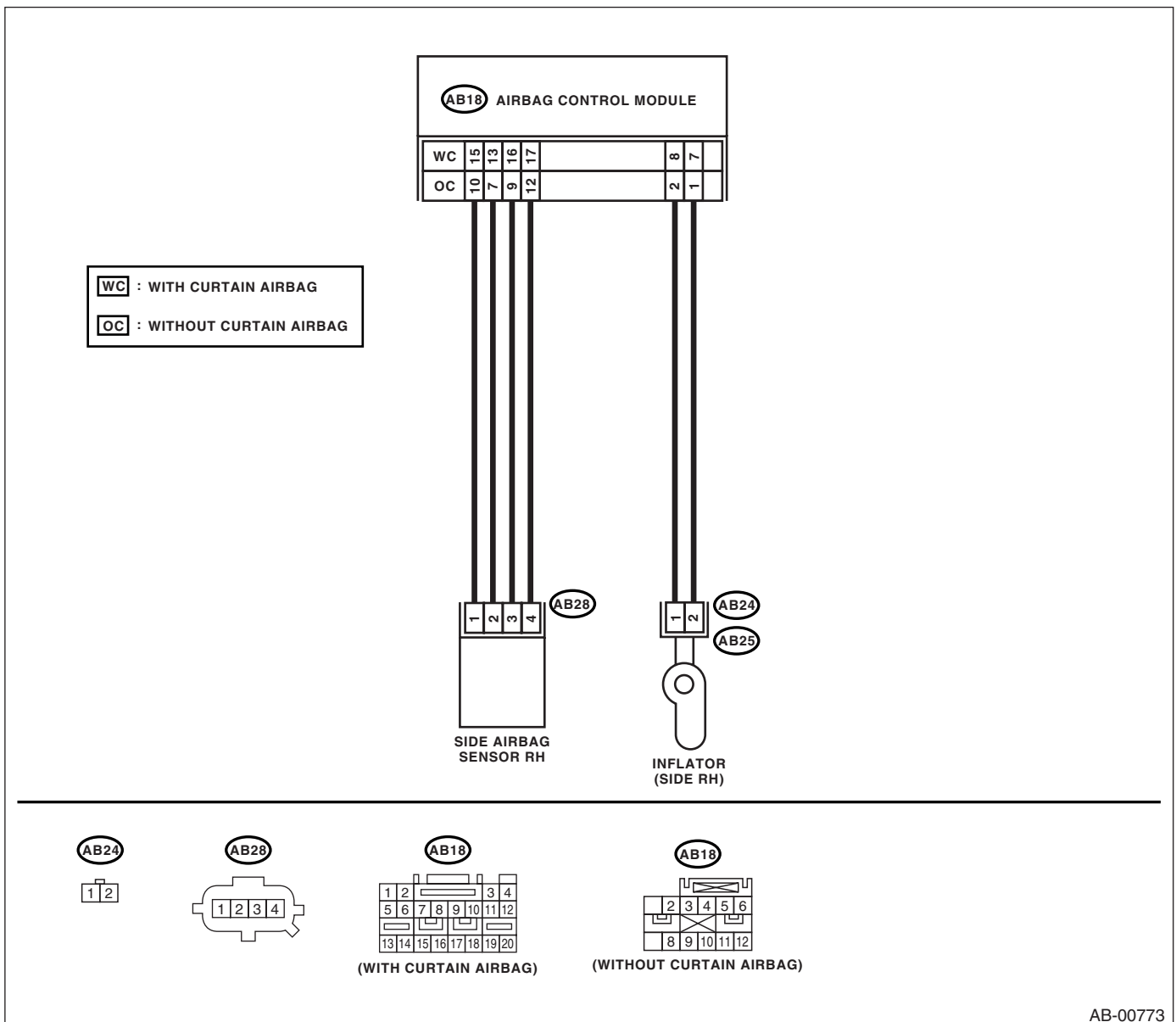
#### DTC DETECTING CONDITION:

- Side airbag sensor (RH) is faulty.
- Side airbag harness (RH) is faulty.
- Airbag control module is faulty.

#### CAUTION:

- Before diagnosing the airbag system, be sure to turn the ignition switch OFF, disconnect the ground terminal from battery, and wait more than 20 seconds before starting to work.
- Before replacing the airbag module, seat belt pretensioner, roll connector, control module and sensor, reconnect each part and confirm that the warning light operates properly.
- When inspecting the airbag main harness, disconnect the airbag module connector of the driver's and passenger's seats for safety reasons.
- When inspecting the airbag rear harness, disconnect the side airbag module connector, curtain airbag module connector and seat belt pretensioner connector for safety reasons.

#### WIRING DIAGRAM:



AB-00773

# Diagnostic Chart with Trouble Code

AIRBAG SYSTEM (DIAGNOSTICS)

## 1. MODEL WITH CURTAIN AIRBAG

Step	Check	Yes	No
<p><b>1</b></p> <p><b>CHECK AIRBAG REAR HARNESS (SIDE AIRBAG SENSOR HARNESS RH).</b></p> <p>1) Turn the ignition switch OFF, disconnect the battery ground terminal, and wait more than 20 seconds.</p> <p>2) Disconnect the connector (AB26) from seat belt pretensioner (RH). &lt;Ref. to SB-12, Front Seat Belt.&gt;</p> <p>3) Disconnect the connector (AB33) from curtain airbag module (RH).</p> <p>4) Disconnect the connector (AB25) from (AB24).</p> <p>5) Disconnect the connector (AB18) from airbag control module. &lt;Ref. to AB-20, Airbag Control Module.&gt;</p> <p>6) Connect the connector (1U) in the test harness U to connector (AB18).</p> <p>7) Disconnect the connector (AB28) from side airbag sensor (RH), and connect the connector (2V) in the test harness V to connector (AB28).</p> <p>8) Measure the resistance between connector (4U) in the test harness U and connector (3V) in the test harness V.</p> <p><b>Connector &amp; terminal</b></p> <p><b>(4U) No. 5 — (3V) No. 2:</b></p> <p><b>(4U) No. 7 — (3V) No. 1:</b></p> <p><b>(4U) No. 8 — (3V) No. 5:</b></p> <p><b>(4U) No. 6 — (3V) No. 4:</b></p>	<p>Is the resistance less than 10 <math>\Omega</math>?</p>	<p>Go to step 2.</p>	<p>Replace the airbag rear harness with body harness.</p>
<p><b>2</b></p> <p><b>CHECK AIRBAG REAR HARNESS (SIDE AIRBAG SENSOR HARNESS RH).</b></p> <p>Measure the resistance between connector (4U) in the test harness U and chassis ground.</p> <p><b>Connector &amp; terminal</b></p> <p><b>(4U) No. 5 — Chassis ground:</b></p> <p><b>(4U) No. 7 — Chassis ground:</b></p> <p><b>(4U) No. 8 — Chassis ground:</b></p> <p><b>(4U) No. 6 — Chassis ground:</b></p>	<p>Is the resistance more than 1 M<math>\Omega</math>?</p>	<p>Replace the side airbag sensor (RH). &lt;Ref. to AB-21, Side Airbag Sensor.&gt; When the sensor is not OK, though the sensor is replaced, replace the airbag control module. &lt;Ref. to AB-20, Airbag Control Module.&gt;</p>	<p>Replace the airbag rear harness with body harness.</p>

## Diagnostic Chart with Trouble Code

### AIRBAG SYSTEM (DIAGNOSTICS)

#### 2. MODEL WITHOUT CURTAIN AIRBAG

Step	Check	Yes	No
<p><b>1</b></p> <p><b>CHECK AIRBAG REAR HARNESS (SIDE AIRBAG SENSOR HARNESS RH).</b></p> <p>1) Turn the ignition switch OFF, disconnect the battery ground terminal, and wait more than 20 seconds.</p> <p>2) Disconnect the connector (AB26) from seat belt pretensioner (RH). &lt;Ref. to SB-12, Front Seat Belt.&gt;</p> <p>3) Disconnect the connector (AB33) from curtain airbag module (RH).</p> <p>4) Disconnect the connector (AB25) from (AB24).</p> <p>5) Disconnect the connector (AB18) from airbag control module. &lt;Ref. to AB-20, Airbag Control Module.&gt;</p> <p>6) Connect the connector (1R) in the test harness R to connector (AB18).</p> <p>7) Disconnect the connector (AB28) from side airbag sensor (RH), and connect the connector (2V) in the test harness V to connector (AB28).</p> <p>8) Measure the resistance between connector (4R) in the test harness R and connector (3V) in the test harness V.</p> <p><b>Connector &amp; terminal</b></p> <p><b>(4R) No. 5 — (3V) No. 2:</b></p> <p><b>(4R) No. 7 — (3V) No. 1:</b></p> <p><b>(4R) No. 8 — (3V) No. 5:</b></p> <p><b>(4R) No. 6 — (3V) No. 4:</b></p>	<p>Is the resistance less than 10 <math>\Omega</math>?</p>	<p>Go to step 2.</p>	<p>Replace the airbag rear harness with body harness.</p>
<p><b>2</b></p> <p><b>CHECK AIRBAG REAR HARNESS (SIDE AIRBAG SENSOR HARNESS RH).</b></p> <p>Measure the resistance between connector (4R) in the test harness R and chassis ground.</p> <p><b>Connector &amp; terminal</b></p> <p><b>(4R) No. 5 — Chassis ground:</b></p> <p><b>(4R) No. 7 — Chassis ground:</b></p> <p><b>(4R) No. 8 — Chassis ground:</b></p> <p><b>(4R) No. 6 — Chassis ground:</b></p>	<p>Is the resistance more than 1 M<math>\Omega</math>?</p>	<p>Replace the side airbag sensor (RH). &lt;Ref. to AB-21, Side Airbag Sensor.&gt; When the sensor is not OK, though the sensor is replaced, replace the airbag control module. &lt;Ref. to AB-20, Airbag Control Module.&gt;</p>	<p>Replace the airbag rear harness with body harness.</p>



# Diagnostic Chart with Trouble Code

## S: DTC 52

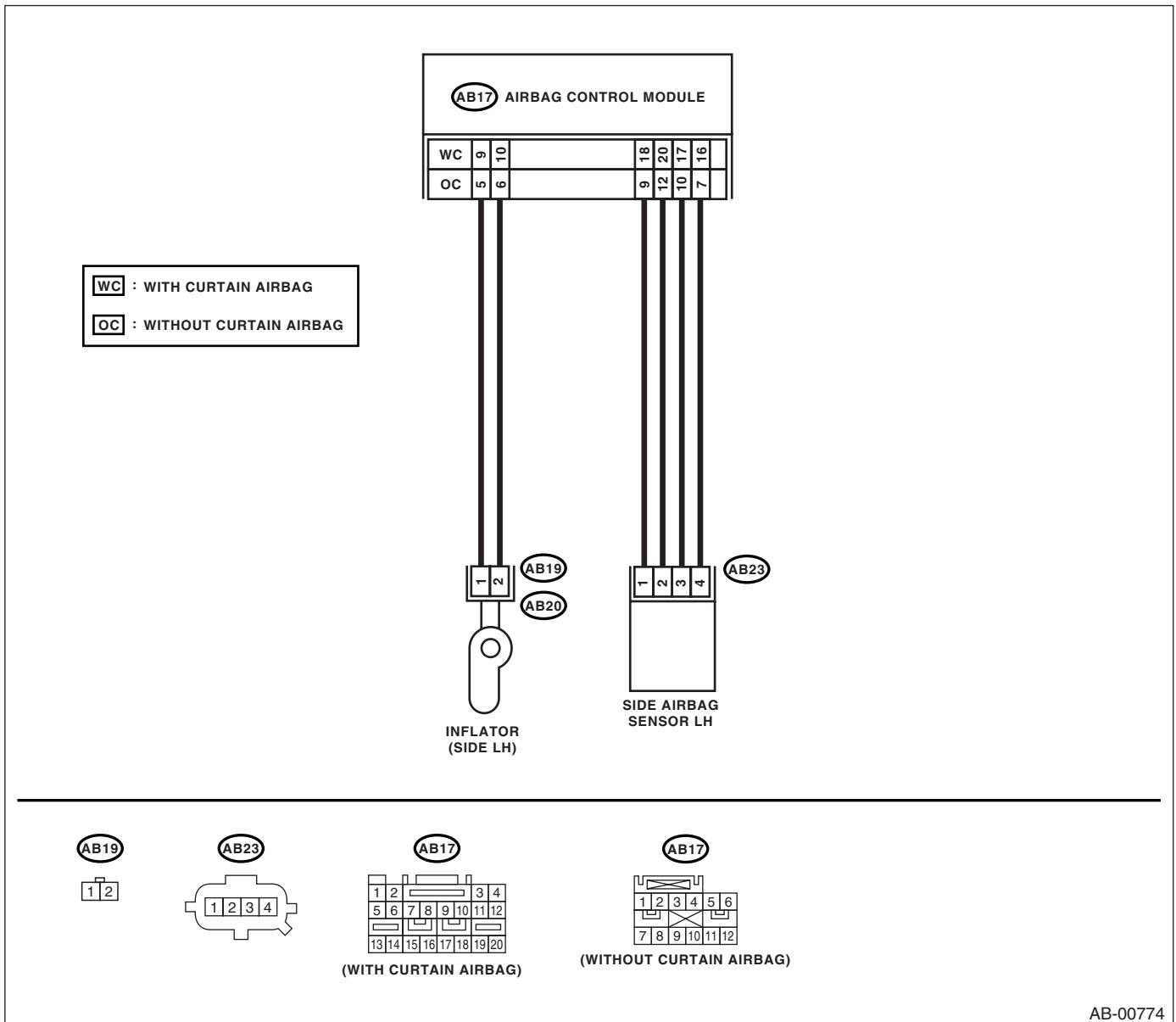
### DTC DETECTING CONDITION:

- Side airbag sensor (LH) is faulty.
- Side airbag harness (LH) is faulty.
- Airbag control module is faulty.

### CAUTION:

- Before diagnosing the airbag system, be sure to turn the ignition switch OFF, disconnect the ground terminal from battery, and wait more than 20 seconds before starting to work.
- Before replacing the airbag module, seat belt pretensioner, roll connector, control module and sensor, reconnect each part and confirm that the warning light operates properly.
- When inspecting the airbag main harness, disconnect the airbag module connector of the driver's and passenger's seats for safety reasons.
- When inspecting the airbag rear harness, disconnect the side airbag module connector, curtain airbag module connector and seat belt pretensioner connector for safety reasons.

### WIRING DIAGRAM:



# Diagnostic Chart with Trouble Code

## AIRBAG SYSTEM (DIAGNOSTICS)

### 1. MODEL WITH CURTAIN AIRBAG

Step	Check	Yes	No
<p><b>1</b></p> <p><b>CHECK AIRBAG REAR HARNESS (SIDE AIRBAG SENSOR HARNESS LH).</b></p> <p>1) Turn the ignition switch OFF, disconnect the battery ground terminal, and wait more than 20 seconds.</p> <p>2) Disconnect the connector (AB21) from seat belt pretensioner (LH). &lt;Ref. to SB-12, Front Seat Belt.&gt;</p> <p>3) Disconnect the connector (AB31) from curtain airbag module (LH).</p> <p>4) Disconnect the connector (AB20) from (AB19).</p> <p>5) Disconnect the connector (AB17) from airbag control module. &lt;Ref. to AB-20, Airbag Control Module.&gt;</p> <p>6) Connect the connector (1U) in the test harness U to connector (AB17).</p> <p>7) Disconnect the connector (AB23) from side airbag sensor (LH), and connect the connector (2V) in the test harness V to connector (AB23).</p> <p>8) Measure the resistance between connector (4U) in the test harness U and connector (3V) in the test harness V.</p> <p><b>Connector &amp; terminal</b></p> <p><b>(4U) No. 3 — (3V) No. 4:</b></p> <p><b>(4U) No. 1 — (3V) No. 5:</b></p> <p><b>(4U) No. 2 — (3V) No. 1:</b></p> <p><b>(4U) No. 4 — (3V) No. 2:</b></p>	<p>Is the resistance less than 10 <math>\Omega</math>?</p>	<p>Go to step 2.</p>	<p>Replace the airbag rear harness with body harness.</p>
<p><b>2</b></p> <p><b>CHECK AIRBAG REAR HARNESS (SIDE AIRBAG SENSOR HARNESS LH).</b></p> <p>Measure the resistance between connector (4U) in the test harness U and chassis ground.</p> <p><b>Connector &amp; terminal</b></p> <p><b>(4U) No. 3 — Chassis ground:</b></p> <p><b>(4U) No. 1 — Chassis ground:</b></p> <p><b>(4U) No. 2 — Chassis ground:</b></p> <p><b>(4U) No. 4 — Chassis ground:</b></p>	<p>Is the resistance more than 1 M<math>\Omega</math>?</p>	<p>Replace the side airbag sensor (LH). &lt;Ref. to AB-21, Side Airbag Sensor.&gt; When the sensor is not OK, though the sensor is replaced, replace the airbag control module. &lt;Ref. to AB-20, Airbag Control Module.&gt;</p>	<p>Replace the airbag rear harness with body harness.</p>

# Diagnostic Chart with Trouble Code

AIRBAG SYSTEM (DIAGNOSTICS)

## 2. MODEL WITHOUT CURTAIN AIRBAG

Step	Check	Yes	No
<p><b>1</b></p> <p><b>CHECK AIRBAG REAR HARNESS (SIDE AIRBAG SENSOR HARNESS LH).</b></p> <p>1) Turn the ignition switch OFF, disconnect the battery ground terminal, and wait more than 20 seconds.</p> <p>2) Disconnect the connector (AB21) from seat belt pretensioner (LH). &lt;Ref. to SB-12, Front Seat Belt.&gt;</p> <p>3) Disconnect the connector (AB31) from curtain airbag module (LH).</p> <p>4) Disconnect the connector (AB20) from (AB19).</p> <p>5) Disconnect the connector (AB17) from airbag control module. &lt;Ref. to AB-20, Airbag Control Module.&gt;</p> <p>6) Connect the connector (1R) in the test harness R to connector (AB17).</p> <p>7) Disconnect the connector (AB23) from side airbag sensor (LH), and connect the connector (2V) in the test harness V to connector (AB23).</p> <p>8) Measure the resistance between connector (4R) in the test harness R and connector (3V) in the test harness V.</p> <p><b>Connector &amp; terminal</b></p> <p><b>(4R) No. 3 — (3V) No. 4:</b></p> <p><b>(4R) No. 1 — (3V) No. 5:</b></p> <p><b>(4R) No. 2 — (3V) No. 1:</b></p> <p><b>(4R) No. 4 — (3V) No. 2:</b></p>	<p>Is the resistance less than 10 <math>\Omega</math>?</p>	<p>Go to step 2.</p>	<p>Replace the airbag rear harness with body harness.</p>
<p><b>2</b></p> <p><b>CHECK AIRBAG REAR HARNESS (SIDE AIRBAG SENSOR HARNESS LH).</b></p> <p>Measure the resistance between connector (4R) in the test harness R and chassis ground.</p> <p><b>Connector &amp; terminal</b></p> <p><b>(4R) No. 3 — Chassis ground:</b></p> <p><b>(4R) No. 1 — Chassis ground:</b></p> <p><b>(4R) No. 2 — Chassis ground:</b></p> <p><b>(4R) No. 4 — Chassis ground:</b></p>	<p>Is the resistance more than 1 M<math>\Omega</math>?</p>	<p>Replace the side airbag sensor (LH). &lt;Ref. to AB-21, Side Airbag Sensor.&gt; When the sensor is not OK, though the sensor is replaced, replace the airbag control module. &lt;Ref. to AB-20, Airbag Control Module.&gt;</p>	<p>Replace the airbag rear harness with body harness.</p>

## Diagnostic Chart with Trouble Code

### AIRBAG SYSTEM (DIAGNOSTICS)

---

#### **T: DTC 53**

##### **DTC DETECTING CONDITION:**

Side airbag sensor (RH) is faulty.

When DTC 53 is displayed, the circuit within the side airbag sensor (RH) is faulty. Replace the side airbag sensor (RH). <Ref. to AB-21, Side Airbag Sensor.>

#### **U: DTC 54**

##### **DTC DETECTING CONDITION:**

Side airbag sensor (LH) is faulty.

When DTC 54 is displayed, the circuit within the side airbag sensor (LH) is faulty. Replace the side airbag sensor (LH). <Ref. to AB-21, Side Airbag Sensor.>

#### **V: DTC 55**

This code is displayed when the side airbag module and curtain airbag module are deployed.

Once this code is displayed, the memory cannot be erased. Replace the following parts.

- Airbag control module. <Ref. to AB-20, Airbag Control Module.>
- Front seat with side airbag module. (Operating side) <Ref. to SE-7, Front Seat.>
- Side airbag sensor. (Operating side) <Ref. to AB-21, Side Airbag Sensor.>
- Curtain airbag module. (Operating side) <Ref. to AB-18, Curtain Airbag Module.>
- Curtain airbag sensor. (Operating side) <Ref. to AB-22, Curtain Airbag Sensor.>

# Diagnostic Chart with Trouble Code

AIRBAG SYSTEM (DIAGNOSTICS)

## W: DTC 56

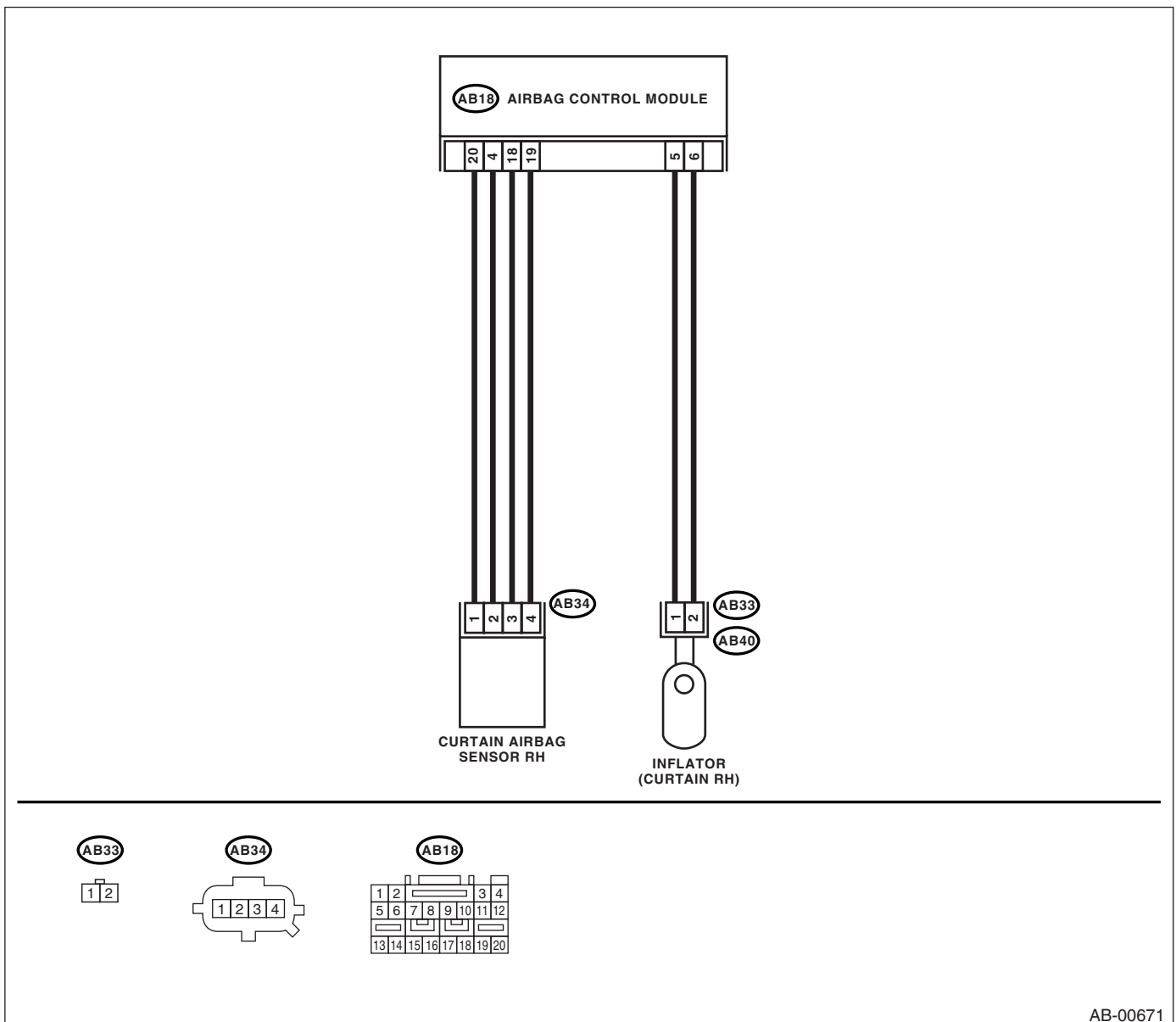
### DTC DETECTING CONDITION:

- Curtain airbag sensor (RH) is faulty.
- Curtain airbag harness (RH) is faulty.
- Airbag control module is faulty.

### CAUTION:

- Before diagnosing the airbag system, be sure to turn the ignition switch OFF, disconnect the ground terminal from battery, and wait more than 20 seconds before starting to work.
- Before replacing the airbag module, seat belt pretensioner, roll connector, control module and sensor, reconnect each part and confirm that the warning light operates properly.
- When inspecting the airbag main harness, disconnect the airbag module connector of the driver's and passenger's seats for safety reasons.
- When inspecting the airbag rear harness, disconnect the side airbag module connector, curtain airbag module connector and seat belt pretensioner connector for safety reasons.

### WIRING DIAGRAM:



AB-00671

## Diagnostic Chart with Trouble Code

### AIRBAG SYSTEM (DIAGNOSTICS)

Step	Check	Yes	No
<p><b>1</b></p> <p><b>CHECK AIRBAG REAR HARNESS (CURTAIN AIRBAG SENSOR HARNESS RH).</b></p> <p>1) Turn the ignition switch OFF, disconnect the battery ground terminal, and wait more than 20 seconds.</p> <p>2) Disconnect the connector (AB26) from seat belt pretensioner (RH). &lt;Ref. to SB-12, Front Seat Belt.&gt;</p> <p>3) Disconnect the connector (AB24) from side airbag module (RH).</p> <p>4) Disconnect the connector (AB33) from (AB40).</p> <p>5) Disconnect the connector (AB18) from airbag control module. &lt;Ref. to AB-20, Airbag Control Module.&gt;</p> <p>6) Connect the connector (1U) in the test harness U to connector (AB18).</p> <p>7) Disconnect the connector (AB34) from curtain airbag sensor (RH), and connect the connector (2V) in the test harness V to connector (AB34).</p> <p>8) Measure the resistance between connector (5U) in the test harness U and connector (3V) in the test harness V.</p> <p><b>Connector &amp; terminal</b></p> <p><b>(5U) No. 14 — (3V) No. 4:</b></p> <p><b>(5U) No. 16 — (3V) No. 5:</b></p> <p><b>(5U) No. 15 — (3V) No. 1:</b></p> <p><b>(5U) No. 13 — (3V) No. 2:</b></p>	<p>Is the resistance less than 10 <math>\Omega</math>?</p>	<p>Go to step 2.</p>	<p>Replace the airbag rear harness with body harness.</p>
<p><b>2</b></p> <p><b>CHECK AIRBAG REAR HARNESS (CURTAIN AIRBAG SENSOR HARNESS RH).</b></p> <p>Measure the resistance between connector (5U) in the test harness U and chassis ground.</p> <p><b>Connector &amp; terminal</b></p> <p><b>(5U) No. 14 — Chassis ground:</b></p> <p><b>(5U) No. 16 — Chassis ground:</b></p> <p><b>(5U) No. 15 — Chassis ground:</b></p> <p><b>(5U) No. 13 — Chassis ground:</b></p>	<p>Is the resistance more than 1 M<math>\Omega</math>?</p>	<p>Replace the curtain airbag sensor (RH). &lt;Ref. to AB-22, Curtain Airbag Sensor.&gt; When the sensor is not OK, though the sensor is replaced, replace the airbag control module. &lt;Ref. to AB-20, Airbag Control Module.&gt;</p>	<p>Replace the airbag rear harness with body harness.</p>

# Diagnostic Chart with Trouble Code

AIRBAG SYSTEM (DIAGNOSTICS)

## X: DTC 57

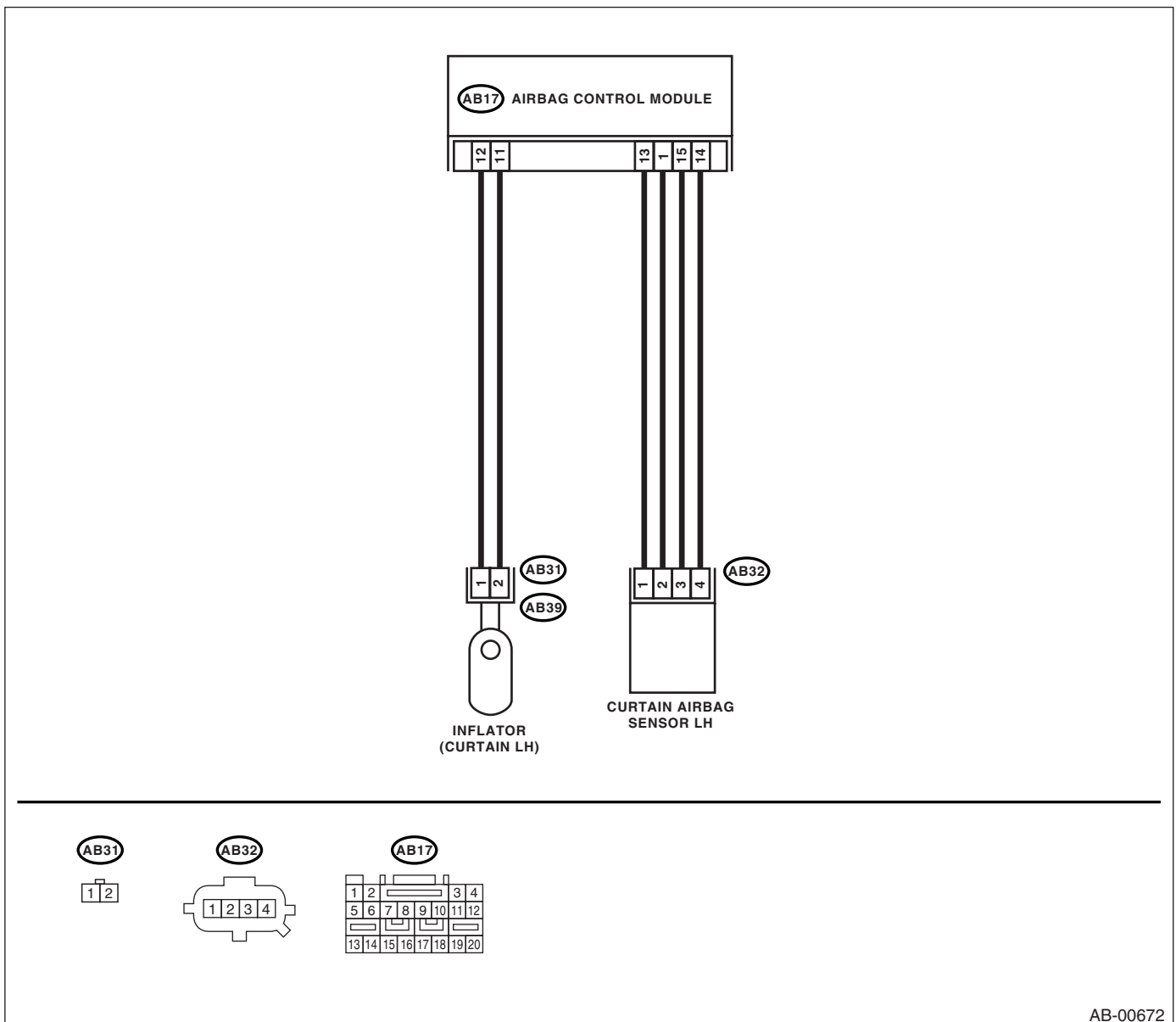
### DTC DETECTING CONDITION:

- Curtain airbag sensor (LH) is faulty.
- Curtain airbag harness (LH) is faulty.
- Airbag control module is faulty.

### CAUTION:

- Before diagnosing the airbag system, be sure to turn the ignition switch OFF, disconnect the ground terminal from battery, and wait more than 20 seconds before starting to work.
- Before replacing the airbag module, seat belt pretensioner, roll connector, control module and sensor, reconnect each part and confirm that the warning light operates properly.
- When inspecting the airbag main harness, disconnect the airbag module connector of the driver's and passenger's seats for safety reasons.
- When inspecting the airbag rear harness, disconnect the side airbag module connector, curtain airbag module connector and seat belt pretensioner connector for safety reasons.

### WIRING DIAGRAM:



AB-00672

# Diagnostic Chart with Trouble Code

## AIRBAG SYSTEM (DIAGNOSTICS)

Step	Check	Yes	No
<p><b>1</b></p> <p><b>CHECK AIRBAG REAR HARNESS (CURTAIN AIRBAG SENSOR HARNESS LH).</b></p> <p>1) Turn the ignition switch OFF, disconnect the battery ground terminal, and wait more than 20 seconds.</p> <p>2) Disconnect the connector (AB21) from seat belt pretensioner (LH). &lt;Ref. to SB-12, Front Seat Belt.&gt;</p> <p>3) Disconnect the connector (AB19) from side airbag module (LH).</p> <p>4) Disconnect the connector (AB31) from (AB39).</p> <p>5) Disconnect the connector (AB17) from airbag control module. &lt;Ref. to AB-20, Airbag Control Module.&gt;</p> <p>6) Connect the connector (1U) in the test harness U to connector (AB17).</p> <p>7) Disconnect the connector (AB32) from curtain airbag sensor (LH), and connect the connector (2V) in the test harness V to connector (AB32).</p> <p>8) Measure the resistance between connector (5U) in the test harness U and connector (3V) in the test harness V.</p> <p><b>Connector &amp; terminal</b>  <b>(5U) No. 11 — (3V) No. 4:</b>  <b>(5U) No. 9 — (3V) No. 5:</b>  <b>(5U) No. 10 — (3V) No. 1:</b>  <b>(5U) No. 12 — (3V) No. 2:</b></p>	<p>Is the resistance less than 10 <math>\Omega</math>?</p>	<p>Go to step 2.</p>	<p>Replace the airbag rear harness with body harness.</p>
<p><b>2</b></p> <p><b>CHECK AIRBAG REAR HARNESS (CURTAIN AIRBAG SENSOR HARNESS LH).</b></p> <p>Measure the resistance between connector (5U) in the test harness U and chassis ground.</p> <p><b>Connector &amp; terminal</b>  <b>(5U) No. 11 — Chassis ground:</b>  <b>(5U) No. 9 — Chassis ground:</b>  <b>(5U) No. 10 — Chassis ground:</b>  <b>(5U) No. 12 — Chassis ground:</b></p>	<p>Is the resistance more than 1 M<math>\Omega</math>?</p>	<p>Replace the curtain airbag sensor (LH). &lt;Ref. to AB-22, Curtain Airbag Sensor.&gt; When the sensor is not OK, though the sensor is replaced, replace the airbag control module. &lt;Ref. to AB-20, Airbag Control Module.&gt;</p>	<p>Replace the airbag rear harness with body harness.</p>

### Y: DTC 58

#### DTC DETECTING CONDITION:

Curtain airbag sensor (RH) is faulty.

When DTC 58 is displayed, the circuit within the curtain airbag sensor (RH) is faulty. Replace the curtain airbag sensor (RH). <Ref. to AB-22, Curtain Airbag Sensor.>

### Z: DTC 59

#### DTC DETECTING CONDITION:

Curtain airbag sensor (LH) is faulty.

When DTC 59 is displayed, the circuit within the curtain airbag sensor (LH) is faulty. Replace the curtain airbag sensor (LH). <Ref. to AB-22, Curtain Airbag Sensor.>



# Diagnostic Chart with Trouble Code

AIRBAG SYSTEM (DIAGNOSTICS)

## AA:DTC 61

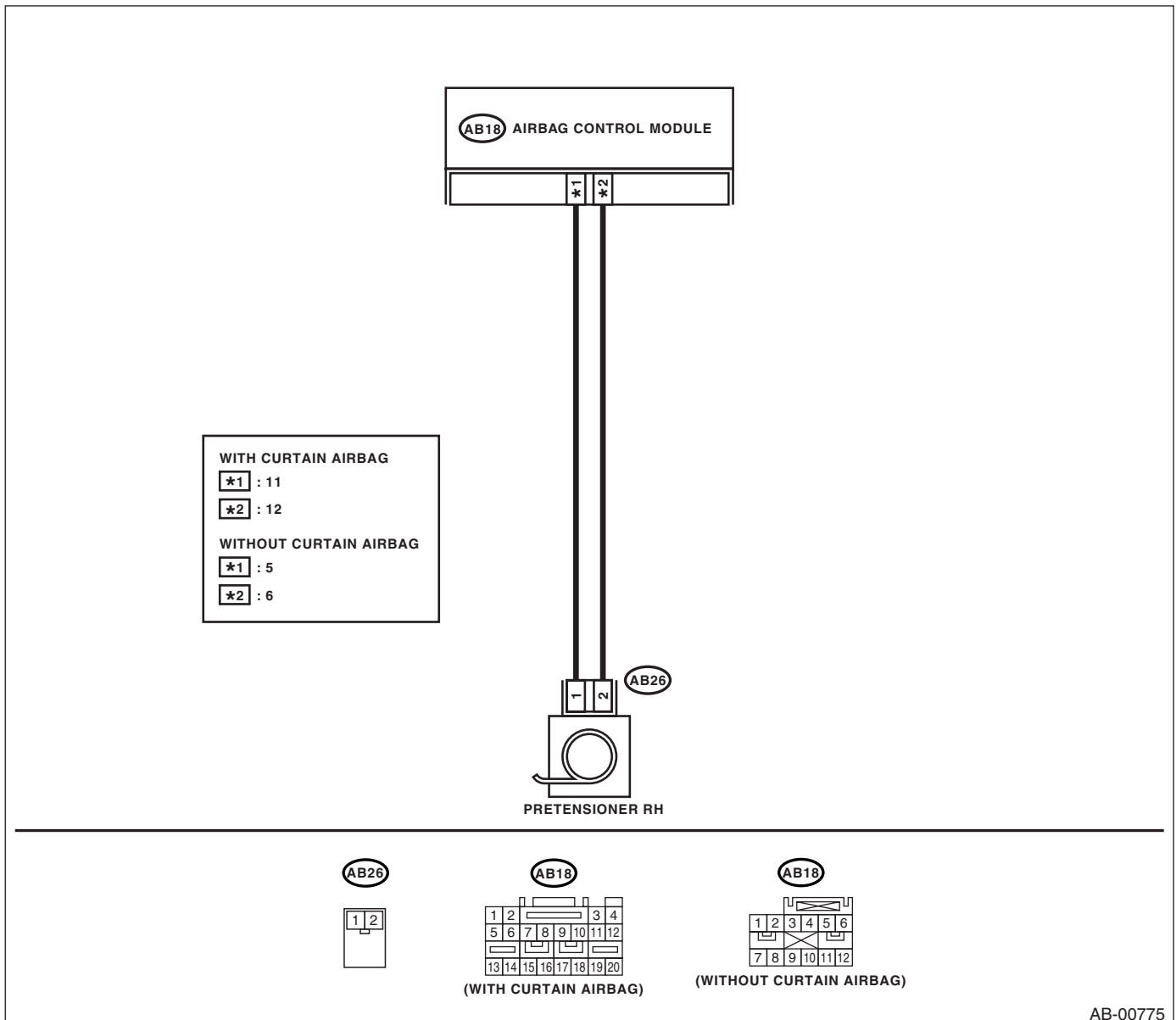
### DTC DETECTING CONDITION:

- Seat belt pretensioner (RH) circuit is open, shorted or shorted to ground.
- Airbag control module is faulty.
- Pretensioner is faulty.
- Pretensioner harness is faulty.

### CAUTION:

- Before diagnosing the airbag system, be sure to turn the ignition switch OFF, disconnect the ground terminal from battery, and wait more than 20 seconds before starting to work.
- Before replacing the airbag module, seat belt pretensioner, roll connector, control module and sensor, reconnect each part and confirm that the warning light operates properly.
- When inspecting the airbag rear harness, disconnect the side airbag module connector, curtain airbag module connector and seat belt pretensioner connector for safety reasons.

### WIRING DIAGRAM:



AB-00775

# Diagnostic Chart with Trouble Code

## AIRBAG SYSTEM (DIAGNOSTICS)

### 1. MODEL WITH CURTAIN AIRBAG

Step	Check	Yes	No
<b>1 CHECK SEAT BELT PRETENSIONER.</b> 1) Turn the ignition switch OFF, disconnect the battery ground terminal, and wait more than 20 seconds. 2) Disconnect the connector (AB26) from seat belt pretensioner (RH). <Ref. to SB-12, Front Seat Belt.> 3) Connect the connector (1N) in the test harness N to connector (AB26). 4) Connect the airbag resistor to connector (2N) in the test harness N. 5) Connect the battery ground terminal and turn the ignition switch ON.	Does the airbag warning light operate properly?	Replace the seat belt pretensioner (RH). <Ref. to SB-12, Front Seat Belt.>	Go to step 2.
<b>2 CHECK AIRBAG REAR HARNESS (PRE-TENSIONER HARNESS RH).</b> 1) Turn the ignition switch OFF, disconnect the battery ground terminal, and wait more than 20 seconds. 2) Disconnect the airbag resistor from test harness. 3) Disconnect the connector (AB24) from side airbag module (RH). 4) Disconnect the connector (AB33) from curtain airbag module (RH). 5) Disconnect the connectors (AB17) and (AB18) from airbag control modules. <Ref. to AB-20, Airbag Control Module.> 6) Connect the connector (1U) in the test harness U to connector (AB18). 7) Measure the resistance between connector (3U) in the test harness U and connector (2N) in the test harness N. <b>Connector &amp; terminal</b> <b>(3U) No. 17 — (2N) No. 1:</b> <b>(3U) No. 19 — (2N) No. 2:</b>	Is the resistance less than 10 $\Omega$ ?	Go to step 3.	Replace the airbag rear harness with body harness.
<b>3 CHECK AIRBAG REAR HARNESS (PRE-TENSIONER HARNESS RH).</b> Measure the resistance between connector (3U) terminals in the test harness U. <b>Connector &amp; terminal</b> <b>(3U) No. 19 — (3U) No. 17:</b>	Is the resistance more than 1 M $\Omega$ ?	Go to step 4.	Replace the airbag rear harness with body harness.
<b>4 CHECK AIRBAG REAR HARNESS (PRE-TENSIONER HARNESS RH).</b> Measure the resistance between connector (3U) in the test harness U and chassis ground. <b>Connector &amp; terminal</b> <b>(3U) No. 17 — Chassis ground:</b> <b>(3U) No. 19 — Chassis ground:</b>	Is the resistance more than 1 M $\Omega$ ?	Replace the airbag control module. <Ref. to AB-20, Airbag Control Module.>	Replace the airbag rear harness with body harness.

# Diagnostic Chart with Trouble Code

AIRBAG SYSTEM (DIAGNOSTICS)

## 2. MODEL WITHOUT CURTAIN AIRBAG

Step	Check	Yes	No
<b>1 CHECK SEAT BELT PRETENSIONER.</b> 1) Turn the ignition switch OFF, disconnect the battery ground terminal, and wait more than 20 seconds. 2) Disconnect the connector (AB26) from seat belt pretensioner (RH). <Ref. to SB-12, Front Seat Belt.> 3) Connect the connector (1N) in the test harness N to connector (AB26). 4) Connect the airbag resistor to connector (2N) in the test harness N. 5) Connect the battery ground terminal and turn the ignition switch ON.	Does the airbag warning light operate properly?	Replace the seat belt pretensioner (RH). <Ref. to SB-12, Front Seat Belt.>	Go to step 2.
<b>2 CHECK AIRBAG REAR HARNESS (PRE-TENSIONER HARNESS RH).</b> 1) Turn the ignition switch OFF, disconnect the battery ground terminal, and wait more than 20 seconds. 2) Disconnect the airbag resistor from test harness. 3) Disconnect the connectors (AB17) and (AB18) from airbag control modules. <Ref. to AB-20, Airbag Control Module.> 4) Connect the connector (1R) in the test harness R to connector (AB18). 5) Measure the resistance between connector (3R) in the test harness R and connector (2N) in the test harness N. <i>Connector &amp; terminal</i> <i>(3R) No. 17 — (3N) No. 1:</i> <i>(3R) No. 19 — (3N) No. 2:</i>	Is the resistance less than 10 Ω?	Go to step 3.	Replace the airbag rear harness with body harness.
<b>3 CHECK AIRBAG REAR HARNESS (PRE-TENSIONER HARNESS RH).</b> Measure the resistance between connector (3R) terminals in the test harness R. <i>Connector &amp; terminal</i> <i>(3R) No. 19 — (3R) No. 17:</i>	Is the resistance more than 1 MΩ?	Go to step 4.	Replace the airbag rear harness with body harness.
<b>4 CHECK AIRBAG REAR HARNESS (PRE-TENSIONER HARNESS RH).</b> Measure the resistance between connector (3R) in the test harness R and chassis ground. <i>Connector &amp; terminal</i> <i>(3R) No. 17 — Chassis ground:</i> <i>(3R) No. 19 — Chassis ground:</i>	Is the resistance more than 1 MΩ?	Replace the airbag control module. <Ref. to AB-20, Airbag Control Module.>	Replace the airbag rear harness with body harness.

# Diagnostic Chart with Trouble Code

## AIRBAG SYSTEM (DIAGNOSTICS)

### AB:DTC 62

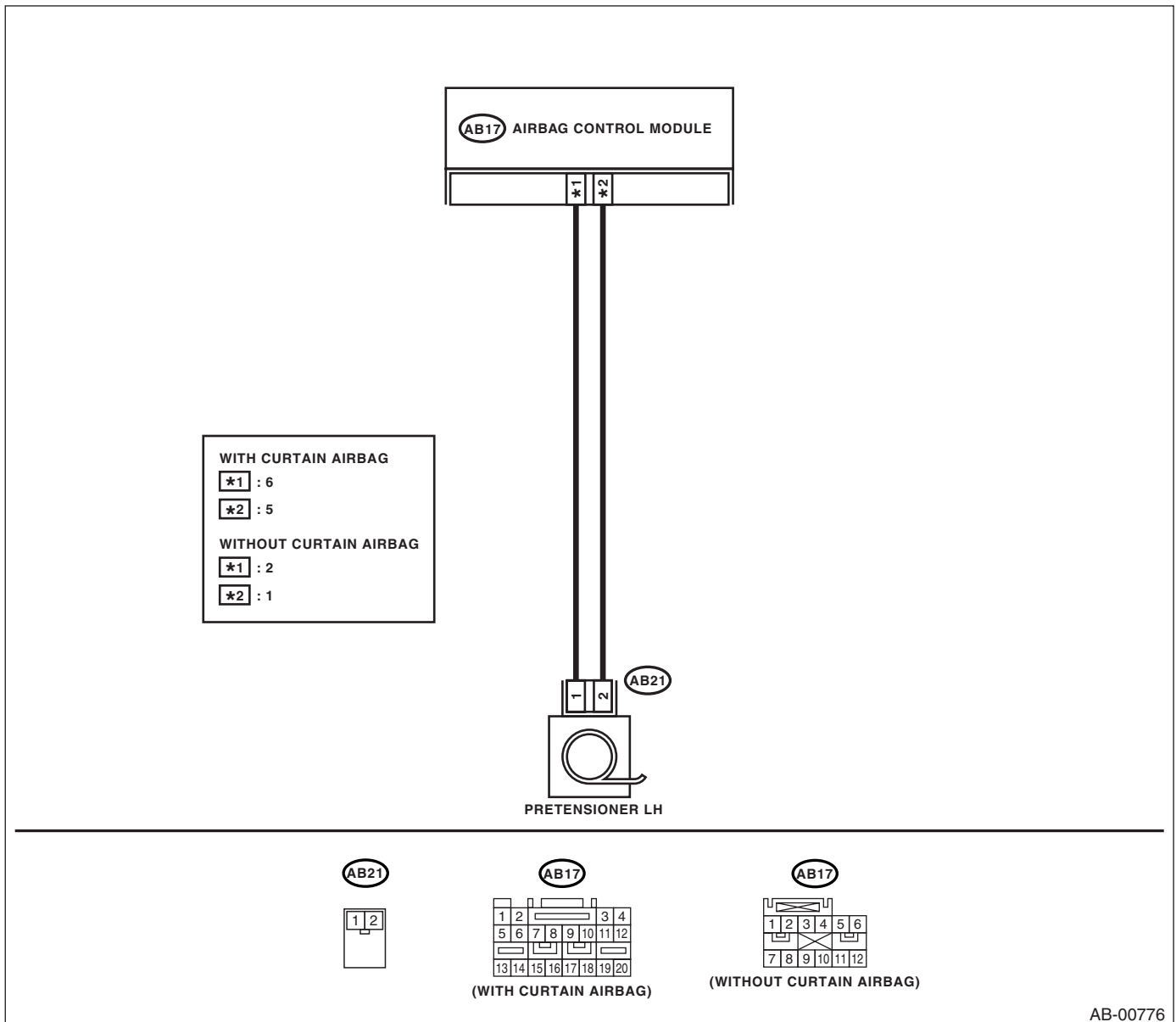
#### DTC DETECTING CONDITION:

- Seat belt pretensioner (LH) circuit is open, shorted or shorted to ground.
- Airbag control module is faulty.
- Pretensioner is faulty.
- Pretensioner harness is faulty.

#### CAUTION:

- Before diagnosing the airbag system, be sure to turn the ignition switch OFF, disconnect the ground terminal from battery, and wait more than 20 seconds before starting to work.
- Before replacing the airbag module, seat belt pretensioner, roll connector, control module and sensor, reconnect each part and confirm that the warning light operates properly.
- When inspecting the airbag rear harness, disconnect the side airbag module connector, curtain airbag module connector and seat belt pretensioner connector for safety reasons.

#### WIRING DIAGRAM:



AB-00776

# Diagnostic Chart with Trouble Code

AIRBAG SYSTEM (DIAGNOSTICS)

## 1. MODEL WITH CURTAIN AIRBAG

Step	Check	Yes	No
<b>1 CHECK SEAT BELT PRETENSIONER.</b> 1) Turn the ignition switch OFF, disconnect the battery ground terminal, and wait more than 20 seconds. 2) Disconnect the connector (AB21) from seat belt pretensioner (LH). <Ref. to SB-12, Front Seat Belt.> 3) Connect the connector (1N) in the test harness N to connector (AB21). 4) Connect the airbag resistor to connector (2N) in the test harness N. 5) Connect the battery ground terminal and turn the ignition switch ON.	Does the airbag warning light operate properly?	Replace the seat belt pretensioner (LH). <Ref. to SB-12, Front Seat Belt.>	Go to step 2.
<b>2 CHECK AIRBAG REAR HARNESS (PRE-TENSIONER HARNESS LH).</b> 1) Turn the ignition switch OFF, disconnect the battery ground terminal, and wait more than 20 seconds. 2) Disconnect the airbag resistor from test harness. 3) Disconnect the connector (AB19) from side airbag module (LH). 4) Disconnect the connector (AB31) from curtain airbag module (LH). 5) Disconnect the connectors (AB17) and (AB18) from airbag control modules. <Ref. to AB-20, Airbag Control Module.> 6) Connect the connector (1U) in the test harness U to connector (AB17). 7) Measure the resistance between connector (3U) in the test harness U and connector (2N) in the test harness N. <b>Connector &amp; terminal</b> (3U) No. 13 — (2N) No. 2: (3U) No. 11 — (2N) No. 1:	Is the resistance less than 10 $\Omega$ ?	Go to step 3.	Replace the airbag rear harness with body harness.
<b>3 CHECK AIRBAG REAR HARNESS (PRE-TENSIONER HARNESS LH).</b> Measure the resistance between connector (3U) terminals in the test harness U. <b>Connector &amp; terminal</b> (3U) No. 11 — (3U) No. 13:	Is the resistance more than 1 M $\Omega$ ?	Go to step 4.	Replace the airbag rear harness with body harness.
<b>4 CHECK AIRBAG REAR HARNESS (PRE-TENSIONER HARNESS LH).</b> Measure the resistance between connector (3U) in the test harness U and chassis ground. <b>Connector &amp; terminal</b> (3U) No. 11 — Chassis ground: (3U) No. 13 — Chassis ground:	Is the resistance more than 1 M $\Omega$ ?	Replace the airbag control module. <Ref. to AB-20, Airbag Control Module.>	Replace the airbag rear harness with body harness.

## Diagnostic Chart with Trouble Code

### AIRBAG SYSTEM (DIAGNOSTICS)

#### 2. MODEL WITHOUT CURTAIN AIRBAG

Step	Check	Yes	No
<b>1 CHECK SEAT BELT PRETENSIONER.</b> 1) Turn the ignition switch OFF, disconnect the battery ground terminal, and wait more than 20 seconds. 2) Disconnect the connector (AB21) from seat belt pretensioner (LH). <Ref. to SB-12, Front Seat Belt.> 3) Connect the connector (1N) in the test harness N to the connector (AB21). 4) Connect the airbag resistor to connector (2N) in the test harness N. 5) Connect the battery ground terminal and turn the ignition switch ON.	Does the airbag warning light operate properly?	Replace the seat belt pretensioner (LH). <Ref. to SB-12, Front Seat Belt.>	Go to step 2.
<b>2 CHECK AIRBAG REAR HARNESS (PRE-TENSIONER HARNESS LH).</b> 1) Turn the ignition switch OFF, disconnect the battery ground terminal, and wait more than 20 seconds. 2) Disconnect the airbag resistor from test harness. 3) Disconnect the connectors (AB17) and (AB18) from airbag control modules. <Ref. to AB-20, Airbag Control Module.> 4) Connect the connector (1R) in the test harness R to connector (AB17). 5) Measure the resistance between connector (3R) in the test harness R and connector (2N) in the test harness N. <i>Connector &amp; terminal</i> <i>(3R) No. 13 — (2N) No. 2:</i> <i>(3R) No. 11 — (2N) No. 1:</i>	Is the resistance less than 10 $\Omega$ ?	Go to step 3.	Replace the airbag rear harness with body harness.
<b>3 CHECK AIRBAG REAR HARNESS (PRE-TENSIONER HARNESS LH).</b> Measure the resistance between connector (3R) terminals in the test harness R. <i>Connector &amp; terminal</i> <i>(3R) No. 11 — (3R) No. 13:</i>	Is the resistance more than 1 M $\Omega$ ?	Go to step 4.	Replace the airbag rear harness with body harness.
<b>4 CHECK AIRBAG REAR HARNESS (PRE-TENSIONER HARNESS LH).</b> Measure the resistance between connector (3R) in the test harness R and chassis ground. <i>Connector &amp; terminal</i> <i>(3R) No. 11 — Chassis ground:</i> <i>(3R) No. 13 — Chassis ground:</i>	Is the resistance more than 1 M $\Omega$ ?	Replace the airbag control module. <Ref. to AB-20, Airbag Control Module.>	Replace the airbag rear harness with body harness.

# Diagnostic Chart with Trouble Code

AIRBAG SYSTEM (DIAGNOSTICS)

## AC:DTC 65

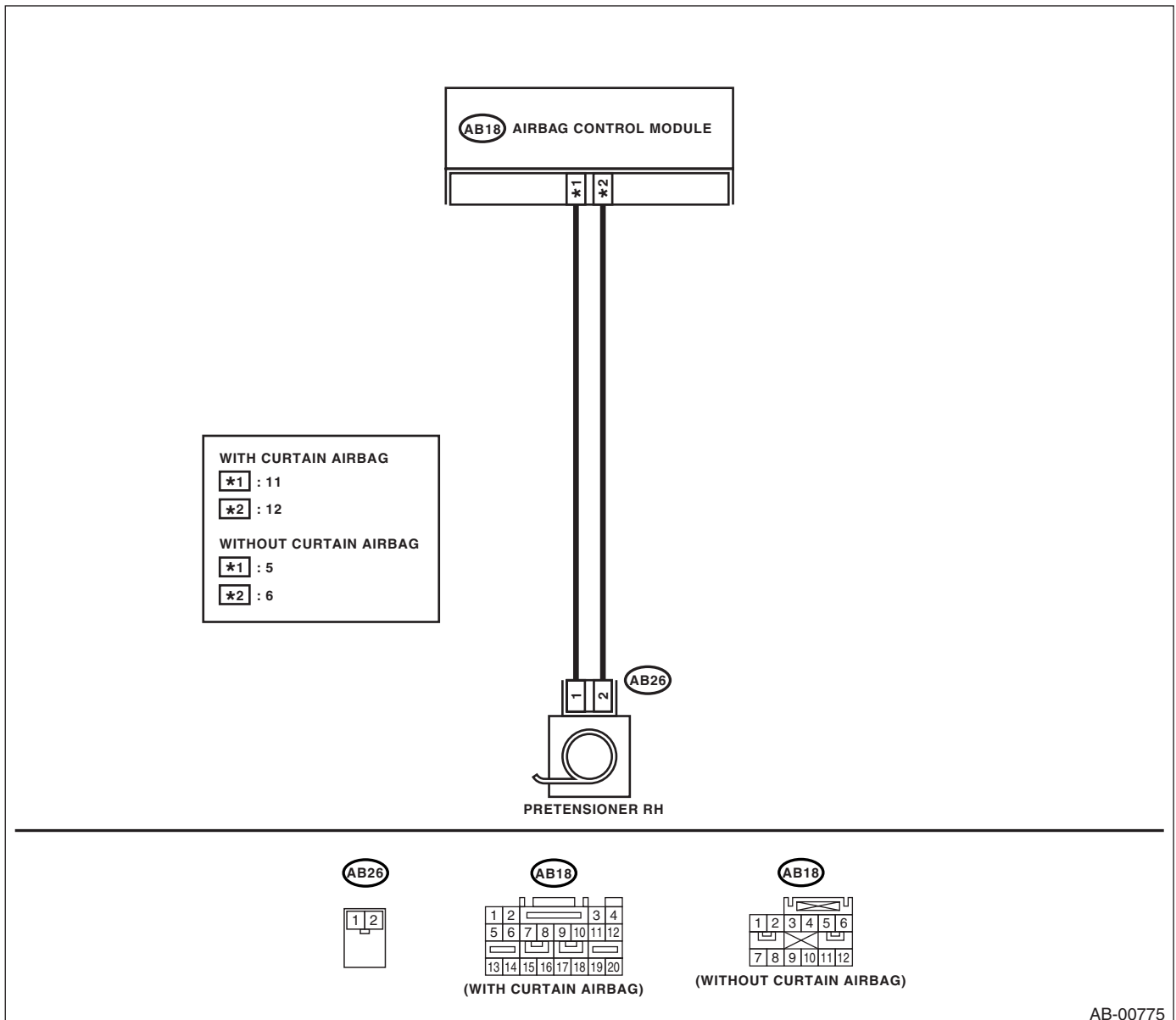
### DTC DETECTING CONDITION:

- Seat belt pretensioner (RH) circuit is shorted to power supply.
- Pretensioner is faulty.
- Pretensioner harness is faulty.
- Airbag control module is faulty.

### CAUTION:

- Before diagnosing the airbag system, be sure to turn the ignition switch OFF, disconnect the ground terminal from battery, and wait more than 20 seconds before starting to work.
- Before replacing the airbag module, seat belt pretensioner, roll connector, control module and sensor, reconnect each part and confirm that the warning light operates properly.
- When inspecting the airbag rear harness, disconnect the side airbag module connector, curtain airbag module connector and seat belt pretensioner connector for safety reasons.

### WIRING DIAGRAM:



AB-00775

# Diagnostic Chart with Trouble Code

## AIRBAG SYSTEM (DIAGNOSTICS)

### 1. MODEL WITH CURTAIN AIRBAG

Step	Check	Yes	No
<b>1 CHECK SEAT BELT PRETENSIONER.</b> 1) Turn the ignition switch OFF, disconnect the battery ground terminal, and wait more than 20 seconds. 2) Disconnect the connector (AB26) from seat belt pretensioner (RH). <Ref. to SB-12, Front Seat Belt.> 3) Connect the connector (1N) in the test harness N to connector (AB26). 4) Connect the airbag resistor to connector (2N) in the test harness N. 5) Connect the battery ground terminal and turn the ignition switch ON.	Does the airbag warning light operate properly?	Replace the seat belt pretensioner (RH). <Ref. to SB-12, Front Seat Belt.>	Go to step 2.
<b>2 CHECK AIRBAG REAR HARNESS (PRE-TENSIONER HARNESS RH).</b> 1) Turn the ignition switch OFF, disconnect the battery ground terminal, and wait more than 20 seconds. 2) Disconnect the airbag resistor from test harness. 3) Disconnect the connector (AB24) from side airbag module (RH). 4) Disconnect the connector (AB33) from curtain airbag module (RH). 5) Disconnect the connectors (AB17) and (AB18) from airbag control modules. <Ref. to AB-20, Airbag Control Module.> 6) Connect the connector (1U) in the test harness U to connector (AB18). 7) Connect the battery ground terminal and turn the ignition switch ON. 8) Measure the voltage between connector (3U) in the test harness U and chassis ground. <b>Connector &amp; terminal</b> (3U) No. 17 (+) — Chassis ground (-): (3U) No. 19 (+) — Chassis ground (-):	Is the voltage less than 1 V?	Replace the airbag control module. <Ref. to AB-20, Airbag Control Module.>	Replace the airbag rear harness with body harness.



# Diagnostic Chart with Trouble Code

AIRBAG SYSTEM (DIAGNOSTICS)

## 2. MODEL WITHOUT CURTAIN AIRBAG

Step	Check	Yes	No
<b>1 CHECK SEAT BELT PRETENSIONER.</b> 1) Turn the ignition switch OFF, disconnect the battery ground terminal, and wait more than 20 seconds. 2) Disconnect the connector (AB26) from seat belt pretensioner (RH). <Ref. to SB-12, Front Seat Belt.> 3) Connect the connector (1N) in the test harness N to connector (AB26). 4) Connect the airbag resistor to connector (2N) in the test harness N. 5) Connect the battery ground terminal and turn the ignition switch ON.	Does the airbag warning light operate properly?	Replace the seat belt pretensioner (RH). <Ref. to SB-12, Front Seat Belt.>	Go to step 2.
<b>2 CHECK AIRBAG REAR HARNESS (PRE-TENSIONER HARNESS RH).</b> 1) Turn the ignition switch OFF, disconnect the battery ground terminal, and wait more than 20 seconds. 2) Disconnect the airbag resistor from test harness. 3) Disconnect the connectors (AB17) and (AB18) from the airbag control modules. <Ref. to AB-20, Airbag Control Module.> 4) Connect the connector (1R) in the test harness R to connector (AB18). 5) Connect the battery ground terminal and turn the ignition switch ON. 6) Measure the voltage between connector (3R) in the test harness R and chassis ground. <b>Connector &amp; terminal</b> (3R) No. 19 (+) — Chassis ground (-): (3R) No. 17 (+) — Chassis ground (-):	Is the voltage less than 1 V?	Replace the airbag control module. <Ref. to AB-20, Airbag Control Module.>	Replace the airbag rear harness with body harness.

# Diagnostic Chart with Trouble Code

AIRBAG SYSTEM (DIAGNOSTICS)

## AD:DTC 66

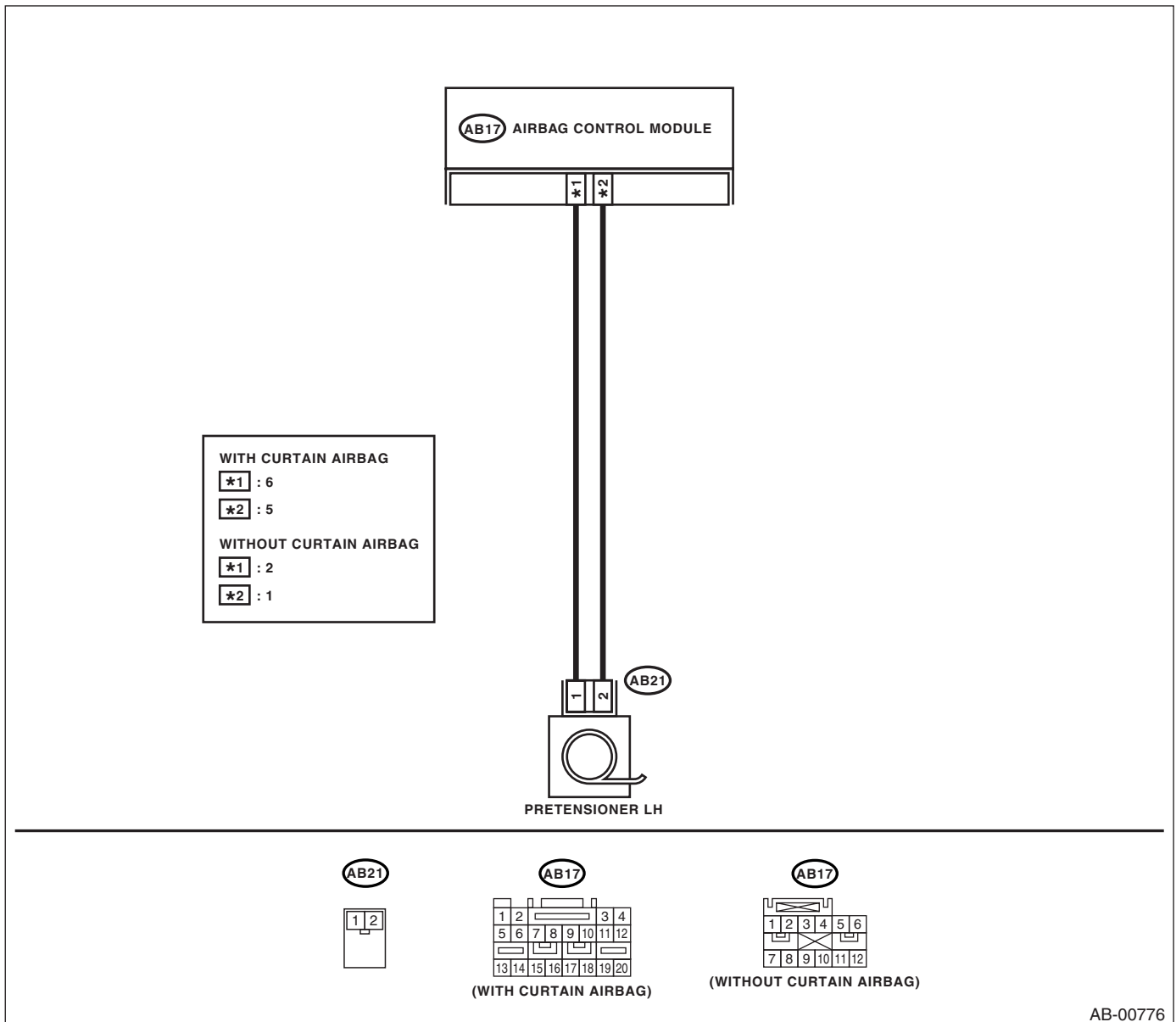
### DTC DETECTING CONDITION:

- Seat belt pretensioner (LH) circuit is shorted to power supply.
- Pretensioner is faulty.
- Pretensioner harness is faulty.
- Airbag control module is faulty.

### CAUTION:

- Before diagnosing the airbag system, be sure to turn the ignition switch OFF, disconnect the ground terminal from battery, and wait more than 20 seconds before starting to work.
- Before replacing the airbag module, seat belt pretensioner, roll connector, control module and sensor, reconnect each part and confirm that the warning light operates properly.
- When inspecting the airbag rear harness, disconnect the side airbag module connector, curtain airbag module connector and seat belt pretensioner connector for safety reasons.

### WIRING DIAGRAM:



AB-00776

# Diagnostic Chart with Trouble Code

AIRBAG SYSTEM (DIAGNOSTICS)

## 1. MODEL WITH CURTAIN AIRBAG

Step	Check	Yes	No
<b>1 CHECK SEAT BELT PRETENSIONER.</b> 1) Turn the ignition switch OFF, disconnect the battery ground terminal, and wait more than 20 seconds. 2) Disconnect the connector (AB21) from seat belt pretensioner (LH). <Ref. to SB-12, Front Seat Belt.> 3) Connect the connector (1N) in the test harness N to the connector (AB21). 4) Connect the airbag resistor to connector (2N) in the test harness N. 5) Connect the battery ground terminal and turn the ignition switch ON.	Does the airbag warning light operate properly?	Replace the seat belt pretensioner (LH). <Ref. to SB-12, Front Seat Belt.>	Go to step 2.
<b>2 CHECK AIRBAG REAR HARNESS (PRE-TENSIONER HARNESS LH).</b> 1) Turn the ignition switch OFF, disconnect the battery ground terminal, and wait more than 20 seconds. 2) Disconnect the airbag resistor from test harness. 3) Disconnect the connector (AB19) from side airbag module (LH). 4) Disconnect the connector (AB31) from curtain airbag module (LH). 5) Disconnect the connectors (AB17) and (AB18) from airbag control modules. <Ref. to AB-20, Airbag Control Module.> 6) Connect the connector (1U) in the test harness U to connector (AB17). 7) Connect the battery ground terminal and turn the ignition switch ON. 8) Measure the voltage between connector (3U) in the test harness U and chassis ground. <b>Connector &amp; terminal</b> (3U) No. 11 (+) — Chassis ground (-): (3U) No. 13 (+) — Chassis ground (-):	Is the voltage less than 1 V?	Replace the airbag control module. <Ref. to AB-20, Airbag Control Module.>	Replace the airbag rear harness with body harness.

## Diagnostic Chart with Trouble Code

### AIRBAG SYSTEM (DIAGNOSTICS)

#### 2. MODEL WITHOUT CURTAIN AIRBAG

Step	Check	Yes	No
<b>1 CHECK SEAT BELT PRETENSIONER.</b> 1) Turn the ignition switch OFF, disconnect the battery ground terminal, and wait more than 20 seconds. 2) Disconnect the connector (AB21) from seat belt pretensioner (LH). <Ref. to SB-12, Front Seat Belt.> 3) Connect the connector (1N) in the test harness N to connector (AB21). 4) Connect the airbag resistor to connector (2N) in the test harness N. 5) Connect the battery ground terminal and turn the ignition switch ON.	Does the airbag warning light operate properly?	Replace the seat belt pretensioner (LH). <Ref. to SB-12, Front Seat Belt.>	Go to step 2.
<b>2 CHECK AIRBAG REAR HARNESS (PRE-TENSIONER HARNESS LH).</b> 1) Turn the ignition switch OFF, disconnect the battery ground terminal, and wait more than 20 seconds. 2) Disconnect the airbag resistor from test harness. 3) Disconnect the connectors (AB17) and (AB18) from airbag control modules. <Ref. to AB-20, Airbag Control Module.> 4) Connect the connector (1R) in the test harness R to connector (AB17). 5) Connect the battery ground terminal and turn the ignition switch ON. 6) Measure the voltage between connector (3R) in the test harness R and chassis ground. <b>Connector &amp; terminal</b> (3R) No. 13 (+) — Chassis ground (-): (3R) No. 11 (+) — Chassis ground (-):	Is the voltage less than 1 V?	Replace the airbag control module. <Ref. to AB-20, Airbag Control Module.>	Replace the airbag rear harness with body harness.

# Diagnostic Chart with Trouble Code

AIRBAG SYSTEM (DIAGNOSTICS)

## AE:DTC 71

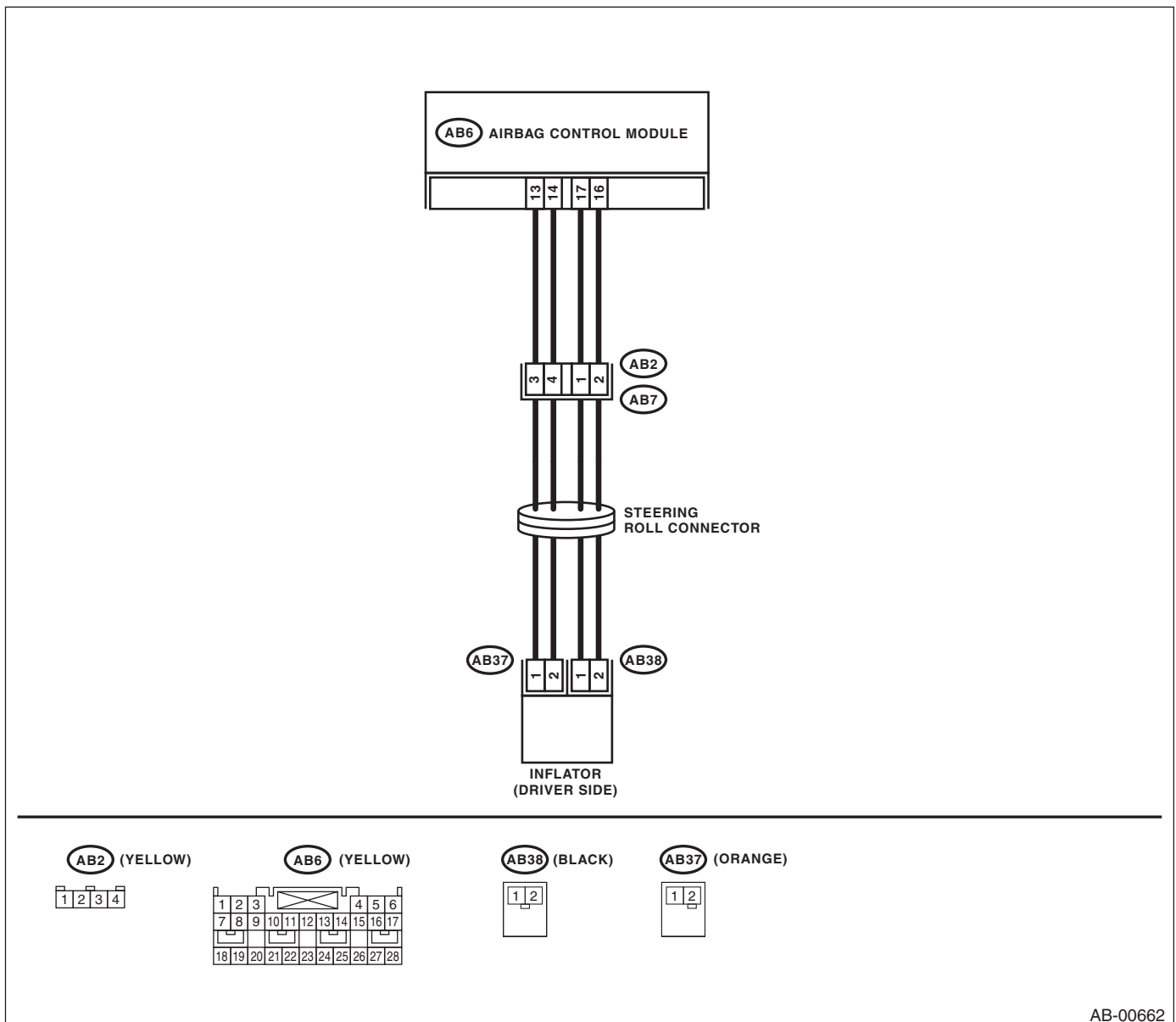
### DTC DETECTING CONDITION:

- Airbag main harness circuit is open, shorted or shorted to ground.
- Airbag module harness (Driver's side) circuit is open, shorted or shorted to ground.
- Roll connector circuit is open, shorted or shorted to ground.
- Driver's airbag module is faulty.
- Airbag control module is faulty.

### CAUTION:

- Before diagnosing the airbag system, be sure to turn the ignition switch OFF, disconnect the ground terminal from battery, and wait more than 20 seconds before starting to work.
- Before replacing the airbag module, seat belt pretensioner, roll connector, control module and sensor, reconnect each part and confirm that the warning light operates properly.
- When inspecting the airbag main harness, disconnect the airbag module connector of the driver's and passenger's seats for safety reasons.

### WIRING DIAGRAM:



AB-00662

# Diagnostic Chart with Trouble Code

## AIRBAG SYSTEM (DIAGNOSTICS)

Step	Check	Yes	No
<b>1 CHECK DRIVER'S AIRBAG MODULE.</b> 1) Turn the ignition switch OFF, disconnect the battery ground terminal, and wait more than 20 seconds. 2) Remove the driver's airbag module. <Ref. to AB-14, Driver's Airbag Module.> 3) Connect the connector (1N) in the test harness N to connector (AB38). 4) Connect the airbag resistor to connector (2N) in the test harness N. 5) Connect the connectors (1Q) in the test harness Q to connector (AB37). 6) Connect the airbag resistor to connector (2Q) in the test harness Q. 7) Connect the battery ground terminal and turn the ignition switch ON.	Does the airbag warning light operate properly?	Replace the driver's airbag module. <Ref. to AB-14, Driver's Airbag Module.>	Go to step 2.
<b>2 CHECK ROLL CONNECTOR.</b> 1) Turn the ignition switch OFF, disconnect the battery ground terminal, and wait more than 20 seconds. 2) Disconnect the test harness N from connector (AB38). 3) Disconnect the test harness Q from connector (AB37). 4) Remove the instrument panel lower cover, disconnect the connector (AB7) from (AB2). 5) Connect the connector (1P) in the test harness P to connector (AB2). 6) Connect the airbag resistor to connector (2P) and (3P) in the test harness P. 7) Connect the battery ground terminal and turn the ignition switch ON.	Does the airbag warning light operate properly?	Replace the roll connector. <Ref. to AB-23, Roll Connector.>	Go to step 3.
<b>3 CHECK AIRBAG MAIN HARNESS (DRIVER'S AIRBAG HARNESS).</b> 1) Turn the ignition switch OFF, disconnect the battery ground terminal, and wait more than 20 seconds. 2) Disconnect the airbag resistor from connector (2P) and (3P) in the test harness P. 3) Remove the instrument panel side cover of passenger's side and disconnect the connector (AB10) and (AB9). <Ref. to AB-15, Passenger's Airbag Module.> 4) Disconnect the connector (AB6) from airbag control module, and connect the connector (1U) in the test harness U. <Ref. to AB-20, Airbag Control Module.> 5) Measure the resistance between connector (2U) in the test harness U and connector (2P) and (3P) in the test harness P. <b>Connector &amp; terminal</b> (2U) No. 2 — (2P) No. 1: (2U) No. 4 — (2P) No. 2: (2U) No. 8 — (3P) No. 3: (2U) No. 12 — (3P) No. 4:	Is the resistance less than 10 $\Omega$ ?	Go to step 4.	Replace the airbag main harness with body harness.

# Diagnostic Chart with Trouble Code

AIRBAG SYSTEM (DIAGNOSTICS)

Step	Check	Yes	No
<p><b>4</b>     <b>CHECK AIRBAG MAIN HARNESS (DRIVER'S AIRBAG HARNESS).</b>                      Measure the resistance between connector (2U) terminals in the test harness U and between the connector (2U) and chassis ground.</p> <p><b>Connector &amp; terminal</b>  <i>(2U) No. 2 — (2U) No. 4:</i>  <i>(2U) No. 4 — Chassis ground:</i>  <i>(2U) No. 2 — Chassis ground:</i>  <i>(2U) No. 8 — (2U) No. 12:</i>  <i>(2U) No. 8 — Chassis ground:</i>  <i>(2U) No. 12 — Chassis ground:</i></p>	Is the resistance more than 1 MΩ?	Replace the airbag control module. <Ref. to AB-20, Airbag Control Module.>	Replace the airbag main harness with body harness.

# Diagnostic Chart with Trouble Code

## AIRBAG SYSTEM (DIAGNOSTICS)

### AF:DTC 72

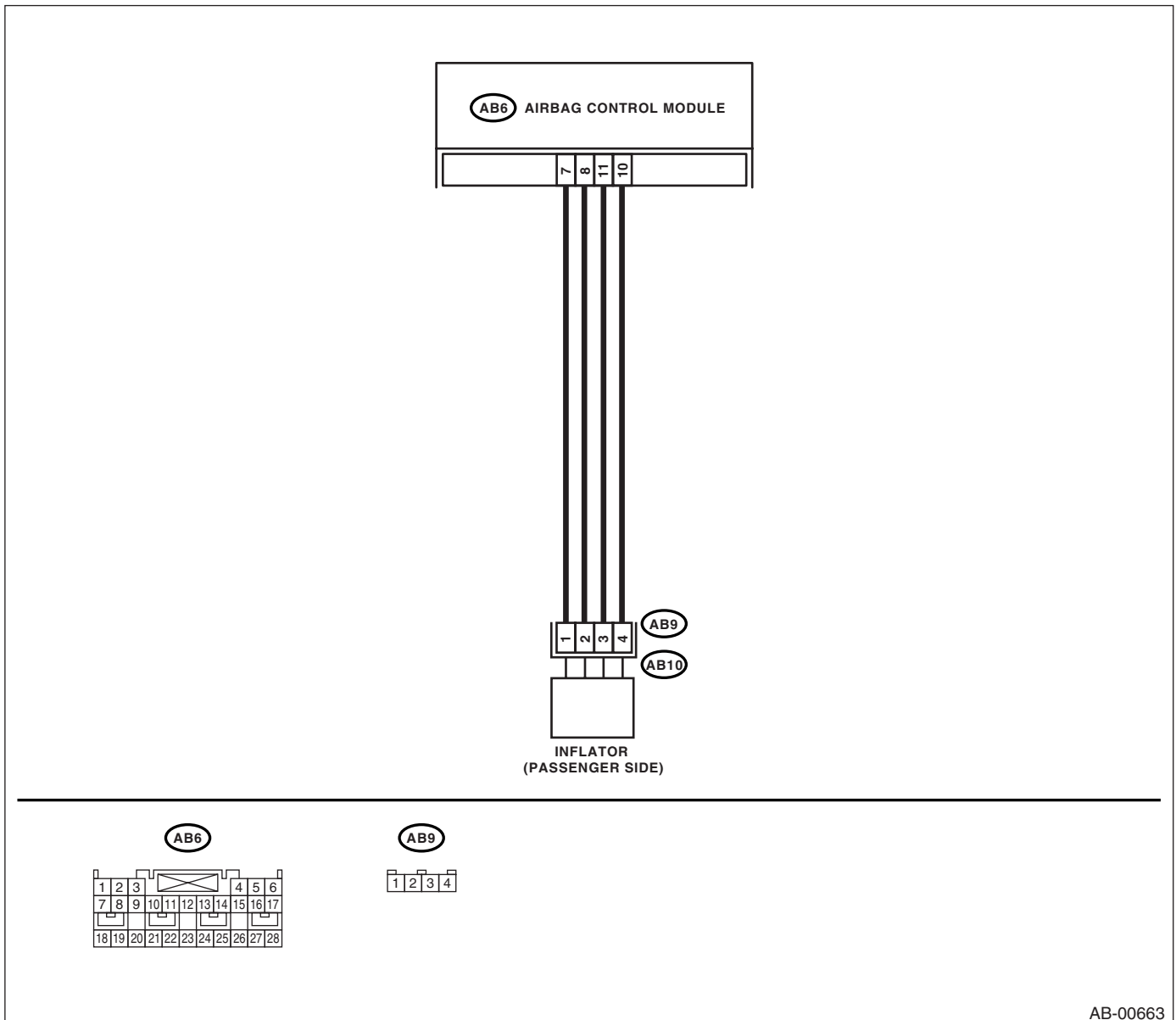
#### DTC DETECTING CONDITION:

- Airbag main harness circuit is open, shorted or shorted to ground.
- Airbag module harness (Passenger's side) circuit is open, shorted or shorted to ground.
- Passenger's airbag module is faulty.
- Airbag control module is faulty.

#### CAUTION:

- Before diagnosing the airbag system, be sure to turn the ignition switch OFF, disconnect the ground terminal from battery, and wait more than 20 seconds before starting to work.
- Before replacing the airbag module, seat belt pretensioner, roll connector, control module and sensor, reconnect each part and confirm that the warning light operates properly.
- When inspecting the airbag main harness, disconnect the airbag module connector of the driver's and passenger's seats for safety reasons.

#### WIRING DIAGRAM:



AB-00663



# Diagnostic Chart with Trouble Code

AIRBAG SYSTEM (DIAGNOSTICS)

Step	Check	Yes	No
<p><b>1</b></p> <p><b>CHECK PASSENGER'S AIRBAG MODULE.</b></p> <p>1) Turn the ignition switch OFF, disconnect the battery ground terminal, and wait more than 20 seconds.</p> <p>2) Remove the instrument panel side cover on the passenger's side.</p> <p>3) Disconnect the connector (AB10) from (AB9).</p> <p>4) Connect the connector (1P) in the test harness P to connector (AB9).</p> <p>5) Connect the airbag resistor to connector (2P) and (3P) in the test harness P.</p> <p>6) Connect the battery ground terminal and turn the ignition switch ON.</p>	<p>Does the airbag warning light operate properly?</p>	<p>Replace the passenger airbag module. &lt;Ref. to AB-15, Passenger's Airbag Module.&gt;</p>	<p>Go to step 2.</p>
<p><b>2</b></p> <p><b>CHECK AIRBAG MAIN HARNESS (PASSENGER'S AIRBAG HARNESS).</b></p> <p>1) Turn the ignition switch OFF, disconnect the battery ground terminal, and wait more than 20 seconds.</p> <p>2) Disconnect the airbag resistor from connector (2P) and (3P) in the test harness P.</p> <p>3) Remove the instrument panel lower cover, disconnect the connector (AB7) from (AB2).</p> <p>4) Disconnect the connector (AB6) from airbag control module, and connect the connector (1U) in the test harness U. &lt;Ref. to AB-20, Airbag Control Module.&gt;</p> <p>5) Measure the resistance between connector (2U) in the test harness U and connector (2P) and (3P) in the test harness P.</p> <p><b>Connector &amp; terminal</b></p> <p><b>(2U) No. 3 — (2P) No. 1:</b></p> <p><b>(2U) No. 5 — (2P) No. 2:</b></p> <p><b>(2U) No. 9 — (3P) No. 3:</b></p> <p><b>(2U) No. 13 — (3P) No. 4:</b></p>	<p>Is the resistance less than 10 <math>\Omega</math>?</p>	<p>Go to step 3.</p>	<p>Replace the airbag main harness with body harness.</p>
<p><b>3</b></p> <p><b>CHECK AIRBAG MAIN HARNESS (PASSENGER'S AIRBAG HARNESS).</b></p> <p>Measure the resistance between connector (2U) terminals in the test harness U and between the connector (2U) and chassis ground.</p> <p><b>Connector &amp; terminal</b></p> <p><b>(2U) No. 3 — (2U) No. 5:</b></p> <p><b>(2U) No. 3 — Chassis ground:</b></p> <p><b>(2U) No. 5 — Chassis ground:</b></p> <p><b>(2U) No. 9 — (2U) No. 13:</b></p> <p><b>(2U) No. 9 — Chassis ground:</b></p> <p><b>(2U) No. 13 — Chassis ground:</b></p>	<p>Is the resistance more than 1 M<math>\Omega</math>?</p>	<p>Replace the airbag control module. &lt;Ref. to AB-20, Airbag Control Module.&gt;</p>	<p>Replace the airbag main harness with body harness.</p>

# Diagnostic Chart with Trouble Code

## AIRBAG SYSTEM (DIAGNOSTICS)

### AG:DTC 75

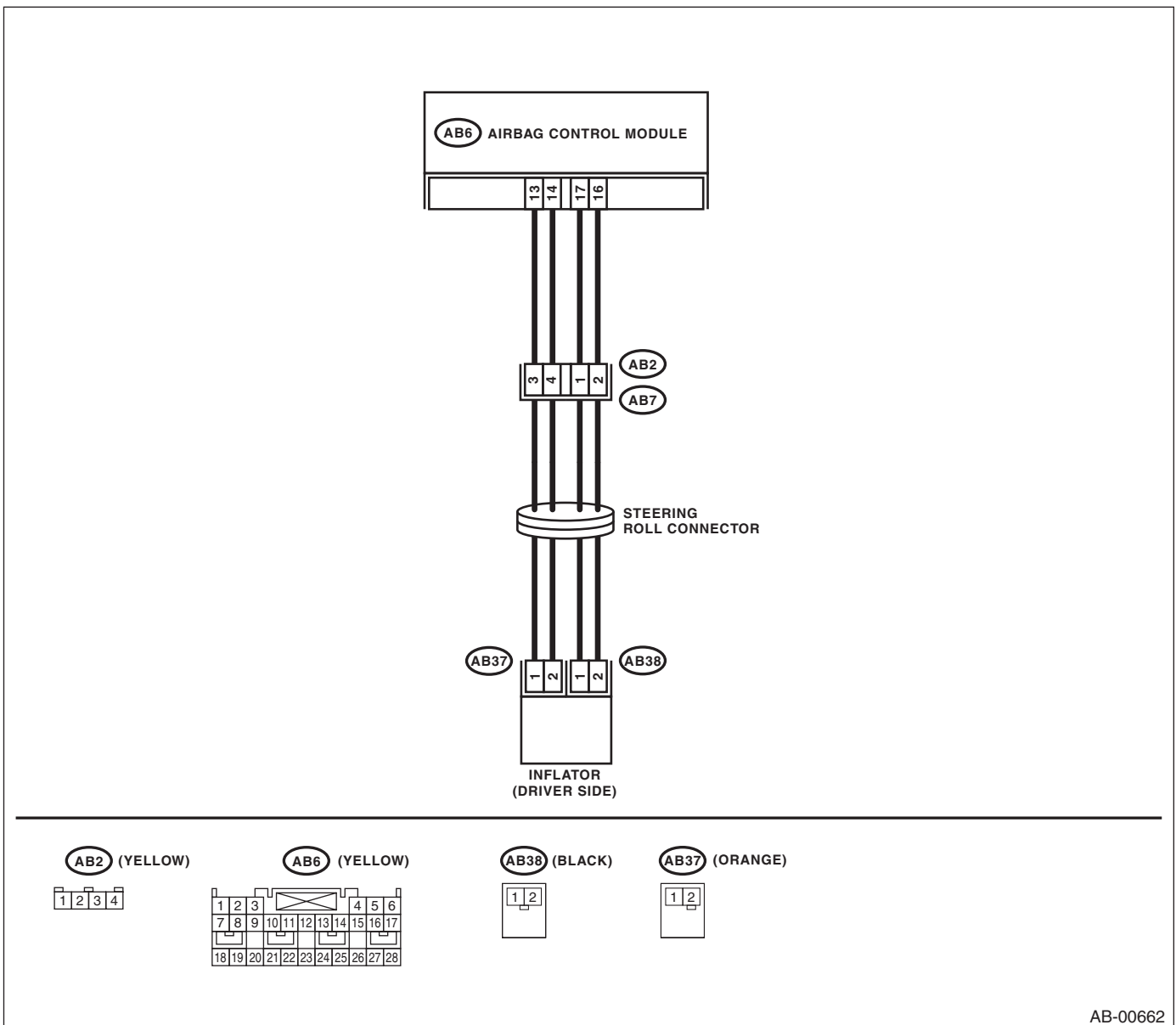
#### DTC DETECTING CONDITION:

- Airbag main harness circuit (Driver's side) is shorted to power supply.
- Airbag module harness circuit (Driver's side) is shorted to power supply.
- Roll connector is shorted to the power supply.
- Driver's airbag module is faulty.
- Airbag control module is faulty.

#### CAUTION:

- Before diagnosing the airbag system, be sure to turn the ignition switch OFF, disconnect the ground terminal from battery, and wait more than 20 seconds before starting to work.
- Before replacing the airbag module, seat belt pretensioner, roll connector, control module and sensor, reconnect each part and confirm that the warning light operates properly.
- When inspecting the airbag main harness, disconnect the airbag module connector of the driver's and passenger's seats for safety reasons.

#### WIRING DIAGRAM:



AB-00662

# Diagnostic Chart with Trouble Code

AIRBAG SYSTEM (DIAGNOSTICS)

Step	Check	Yes	No
<b>1 CHECK DRIVER'S AIRBAG MODULE.</b> 1) Turn the ignition switch OFF, disconnect the battery ground terminal, and wait more than 20 seconds. 2) Remove the driver's airbag module. <Ref. to AB-14, Driver's Airbag Module.> 3) Connect the connector (AB38) to connector (1N) in the test harness N. 4) Connect the airbag resistor to connector (2N) in the test harness N. 5) Connect the connectors (1Q) in the test harness Q to the connector (AB37). 6) Connect the airbag resistor to connector (2Q) in the test harness Q. 7) Connect the battery ground terminal and turn the ignition switch ON.	Does the airbag warning light operate properly?	Replace the driver's airbag module. <Ref. to AB-14, Driver's Airbag Module.>	Go to step 2.
<b>2 CHECK ROLL CONNECTOR.</b> 1) Turn the ignition switch OFF, disconnect the battery ground terminal, and wait more than 20 seconds. 2) Disconnect the test harness N from connector (AB38). 3) Disconnect the test harness Q from connector (AB37). 4) Remove the instrument panel lower cover, disconnect the connector (AB7) from (AB2). 5) Connect the connector (1P) in the test harness P to connector (AB2). 6) Connect the airbag resistor to connector (2P) and (3P) in the test harness P. 7) Connect the battery ground terminal and turn the ignition switch ON.	Does the airbag warning light operate properly?	Replace the roll connector. <Ref. to AB-23, Roll Connector.>	Go to step 3.
<b>3 CHECK AIRBAG MAIN HARNESS (DRIVER'S AIRBAG HARNESS).</b> 1) Turn the ignition switch OFF, disconnect the battery ground terminal, and wait more than 20 seconds. 2) Disconnect the airbag resistor from connector (2P) and (3P) in the test harness P. 3) Remove the instrument panel side cover of passenger's side and disconnect the connector (AB10) and (AB9). 4) Disconnect the connector (AB6) from airbag control module, and connect the connector (1U) in the test harness U. <Ref. to AB-20, Airbag Control Module.> 5) Connect the battery ground terminal and turn the ignition switch ON. (engine OFF) 6) Measure the voltage between connector (2U) in the test harness U and chassis ground. <b>Connector &amp; terminal</b> (2U) No. 4 (+) — Chassis ground (-): (2U) No. 2 (+) — Chassis ground (-): (2U) No. 8 (+) — Chassis ground (-): (2U) No. 12 (+) — Chassis ground (-):	Is the voltage less than 1 V?	Replace the airbag control module. <Ref. to AB-20, Airbag Control Module.>	Replace the airbag main harness with body harness.

# Diagnostic Chart with Trouble Code

## AIRBAG SYSTEM (DIAGNOSTICS)

### AH:DTC 76

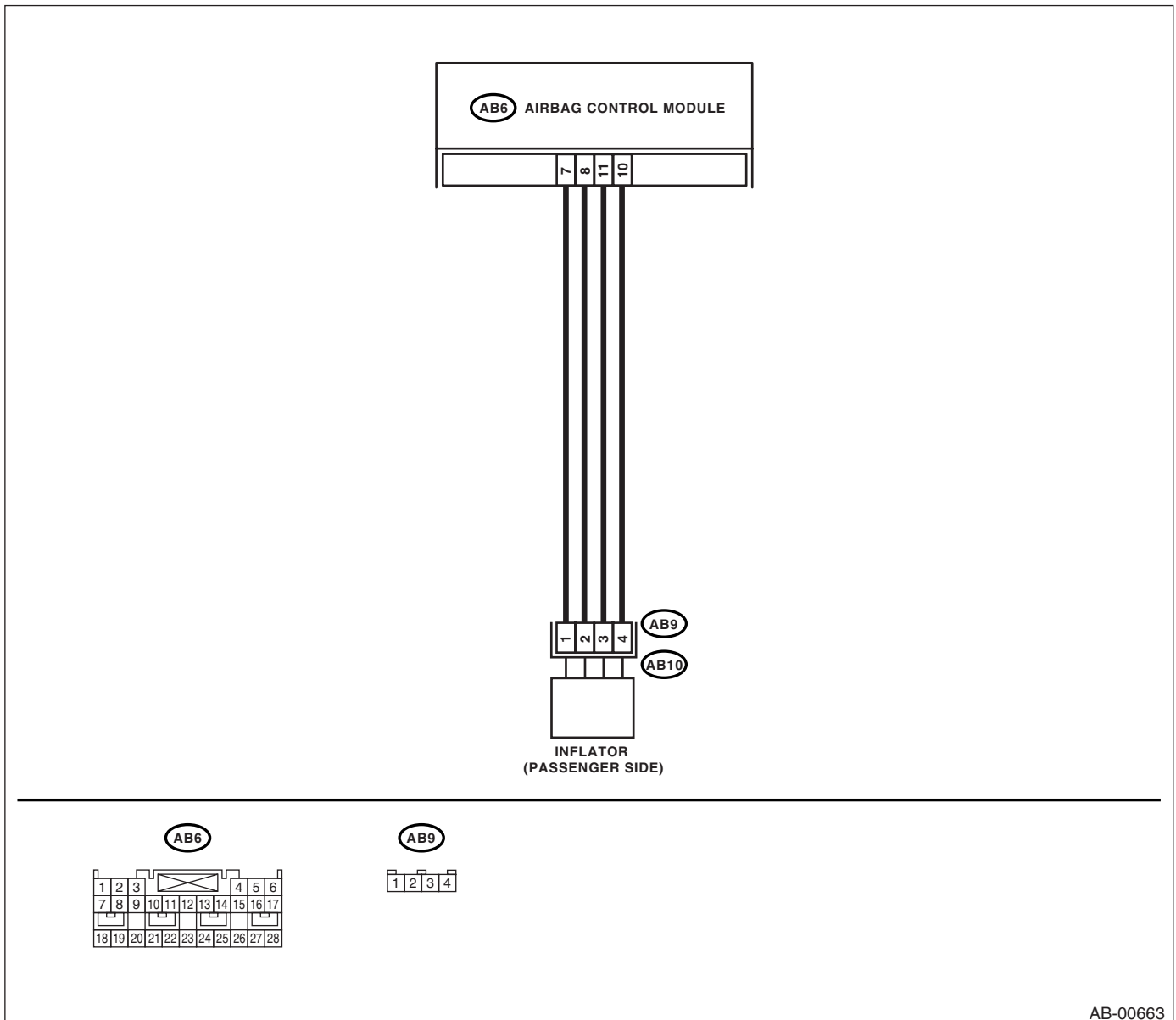
#### DTC DETECTING CONDITION:

- Airbag main harness circuit (Passenger's side) is shorted to power supply.
- Airbag module harness circuit (Passenger's side) is shorted to power supply.
- Passenger's airbag module is faulty.
- Airbag control module is faulty.

#### CAUTION:

- Before diagnosing the airbag system, be sure to turn the ignition switch OFF, disconnect the ground terminal from battery, and wait more than 20 seconds before starting to work.
- Before replacing the airbag module, seat belt pretensioner, roll connector, control module and sensor, reconnect each part and confirm that the warning light operates properly.
- When inspecting the airbag main harness, disconnect the airbag module connector of the driver's and passenger's seats for safety reasons.

#### WIRING DIAGRAM:



AB-00663

# Diagnostic Chart with Trouble Code

AIRBAG SYSTEM (DIAGNOSTICS)

Step	Check	Yes	No
<p><b>1</b></p> <p><b>CHECK PASSENGER'S AIRBAG MODULE.</b></p> <p>1) Turn the ignition switch OFF, disconnect the battery ground terminal, and wait more than 20 seconds.</p> <p>2) Remove the instrument panel side cover on the passenger's side.</p> <p>3) Disconnect the connector (AB10) from (AB9).</p> <p>4) Connect the connector (1P) in the test harness P to connector (AB9).</p> <p>5) Connect the airbag resistor to connector (2P) and (3P) in the test harness P.</p> <p>6) Connect the battery ground terminal and turn the ignition switch ON.</p>	<p>Does the airbag warning light operate properly?</p>	<p>Replace the passenger airbag module. &lt;Ref. to AB-15, Passenger's Airbag Module.&gt;</p>	<p>Go to step 2.</p>
<p><b>2</b></p> <p><b>CHECK AIRBAG MAIN HARNESS (PASSENGER'S AIRBAG HARNESS).</b></p> <p>1) Turn the ignition switch OFF, disconnect the battery ground terminal, and wait more than 20 seconds.</p> <p>2) Disconnect the airbag resistor from connector (2P) and (3P) in the test harness P.</p> <p>3) Remove the instrument panel lower cover, disconnect the connector (AB7) from (AB2).</p> <p>4) Disconnect the connector (AB6) from airbag control module, and connect the connector (1U) in the test harness U. &lt;Ref. to AB-20, Airbag Control Module.&gt;</p> <p>5) Measure the voltage between connector (2U) in the test harness U and chassis ground.</p> <p><b>Connector &amp; terminal</b></p> <p><b>(2U) No. 3 (+) — Chassis ground (-):</b></p> <p><b>(2U) No. 5 (+) — Chassis ground (-):</b></p> <p><b>(2U) No. 9 (+) — Chassis ground (-):</b></p> <p><b>(2U) No. 13 (+) — Chassis ground (-):</b></p>	<p>Is the voltage less than 1 V?</p>	<p>Replace the airbag control module. &lt;Ref. to AB-20, Airbag Control Module.&gt;</p>	<p>Replace the airbag main harness with body harness.</p>

# Diagnostic Chart with Trouble Code

AIRBAG SYSTEM (DIAGNOSTICS)

## AI: DTC 91

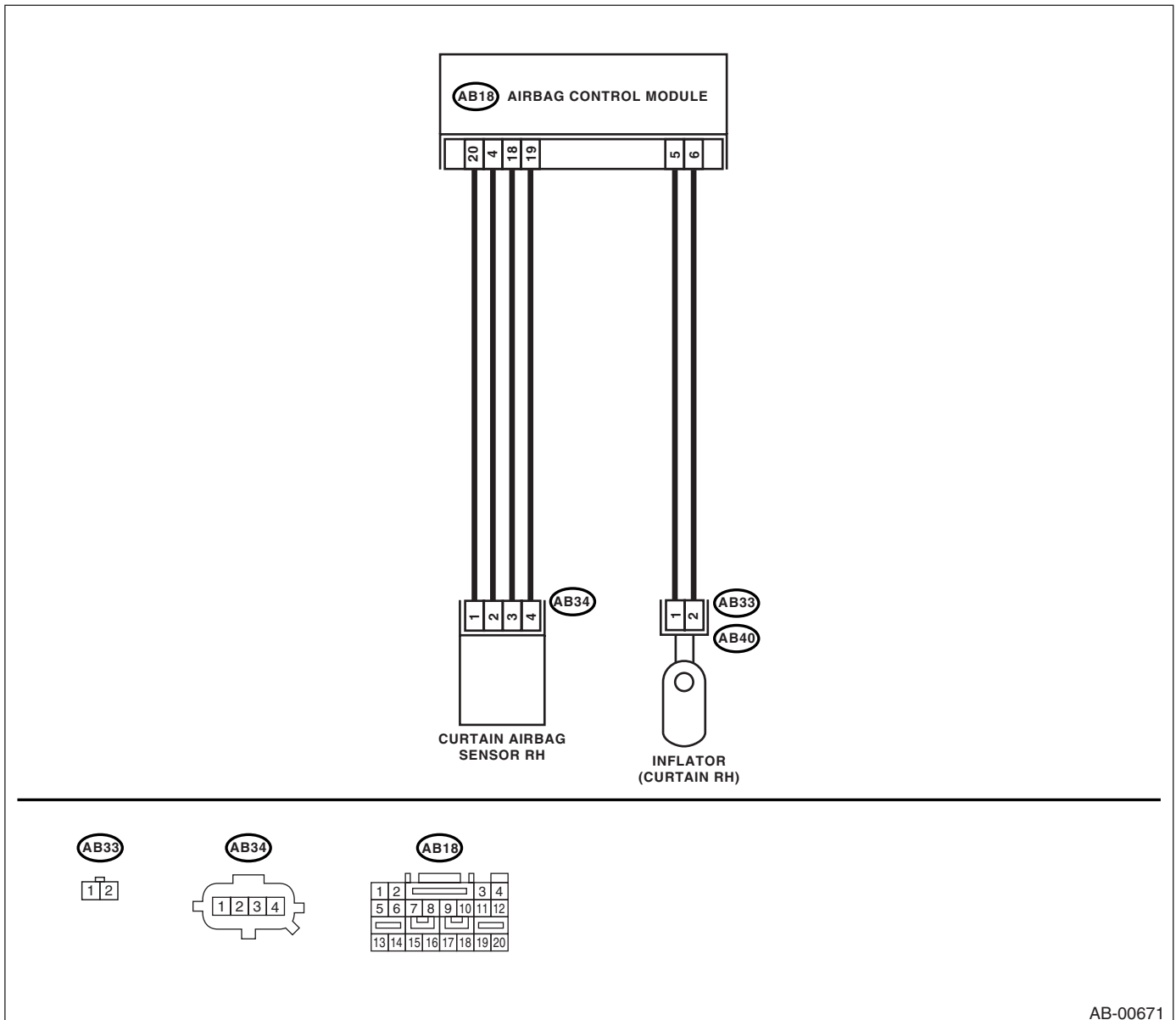
### DTC DETECTING CONDITION:

- Curtain airbag harness (RH) is faulty.
- Curtain airbag module (RH) is faulty.
- Airbag control module is faulty.

### CAUTION:

- Before diagnosing the airbag system, be sure to turn the ignition switch OFF, disconnect the ground terminal from battery, and wait more than 20 seconds before starting to work.
- Before replacing the airbag module, seat belt pretensioner, roll connector, control module and sensor, reconnect each part and confirm that the warning light operates properly.
- When inspecting the airbag rear harness, disconnect the side airbag module connector, curtain airbag module connector and seat belt pretensioner connector for safety reasons.

### WIRING DIAGRAM:



AB-00671

# Diagnostic Chart with Trouble Code

AIRBAG SYSTEM (DIAGNOSTICS)

Step	Check	Yes	No
<b>1 CHECK CURTAIN AIRBAG MODULE.</b> 1) Turn the ignition switch OFF, disconnect the battery ground terminal, and wait more than 20 seconds. 2) Disconnect the connector (AB33) from (AB40), and connect the connector (1F) in test harness F to connector (AB33). 3) Connect the airbag resistor to connector (3F) in the test harness F. 4) Connect the battery ground terminal and turn the ignition switch ON.	Does the airbag warning light operate properly?	Replace the curtain airbag module (RH). <Ref. to AB-18, Curtain Airbag Module.>	Go to step 2.
<b>2 CHECK AIRBAG REAR HARNESS (CURTAIN AIRBAG MODULE HARNESS RH).</b> 1) Turn the ignition switch OFF, disconnect the battery ground terminal, and wait more than 20 seconds. 2) Disconnect the connector (AB26) from seat belt pretensioner (RH). <Ref. to SB-12, Front Seat Belt.> 3) Disconnect the connector (AB24) from side airbag module (RH). 4) Disconnect the airbag resistor from the test harness F. 5) Disconnect the connector (AB18) from airbag control module. <Ref. to AB-20, Airbag Control Module.> 6) Connect the connector (1U) in the test harness U to connector (AB18). 7) Measure the resistance between connector (5U) in the test harness U and connector (3F) in the test harness F. <b>Connector &amp; terminal</b> (5U) No. 6 — (3F) No. 3: (5U) No. 8 — (3F) No. 4:	Is the resistance less than 10 Ω?	Go to step 3.	Replace the airbag rear harness with body harness.
<b>3 CHECK AIRBAG REAR HARNESS (CURTAIN AIRBAG MODULE HARNESS RH).</b> Measure the resistance between connector (5U) terminals in the test harness U. <b>Connector &amp; terminal</b> (5U) No. 6 — (5U) No. 8:	Is the resistance more than 1 MΩ?	Go to step 4.	Replace the airbag rear harness with body harness.
<b>4 CHECK AIRBAG REAR HARNESS (CURTAIN AIRBAG MODULE HARNESS RH).</b> Measure the resistance between the terminals of connector (3F) in the test harness F. <b>Connector &amp; terminal</b> (3F) No. 3 — (3F) No. 4:	Is the resistance more than 1 MΩ?	Go to step 5.	Replace the airbag rear harness with body harness.
<b>5 CHECK AIRBAG REAR HARNESS (CURTAIN AIRBAG MODULE HARNESS RH).</b> Measure the resistance between connector (3F) in the test harness F and chassis ground. <b>Connector &amp; terminal</b> (3F) No. 3 — Chassis ground: (3F) No. 4 — Chassis ground:	Is the resistance more than 1 MΩ?	Go to step 6.	Replace the airbag rear harness with body harness.
<b>6 CHECK AIRBAG REAR HARNESS (CURTAIN AIRBAG MODULE HARNESS RH).</b> Measure the resistance between connector (5U) in the test harness U and chassis ground. <b>Connector &amp; terminal</b> (5U) No. 6 — Chassis ground: (5U) No. 8 — Chassis ground:	Is the resistance more than 1 MΩ?	Replace the airbag control module. <Ref. to AB-20, Airbag Control Module.>	Replace the airbag rear harness with body harness.

# Diagnostic Chart with Trouble Code

AIRBAG SYSTEM (DIAGNOSTICS)

## AJ:DTC 92

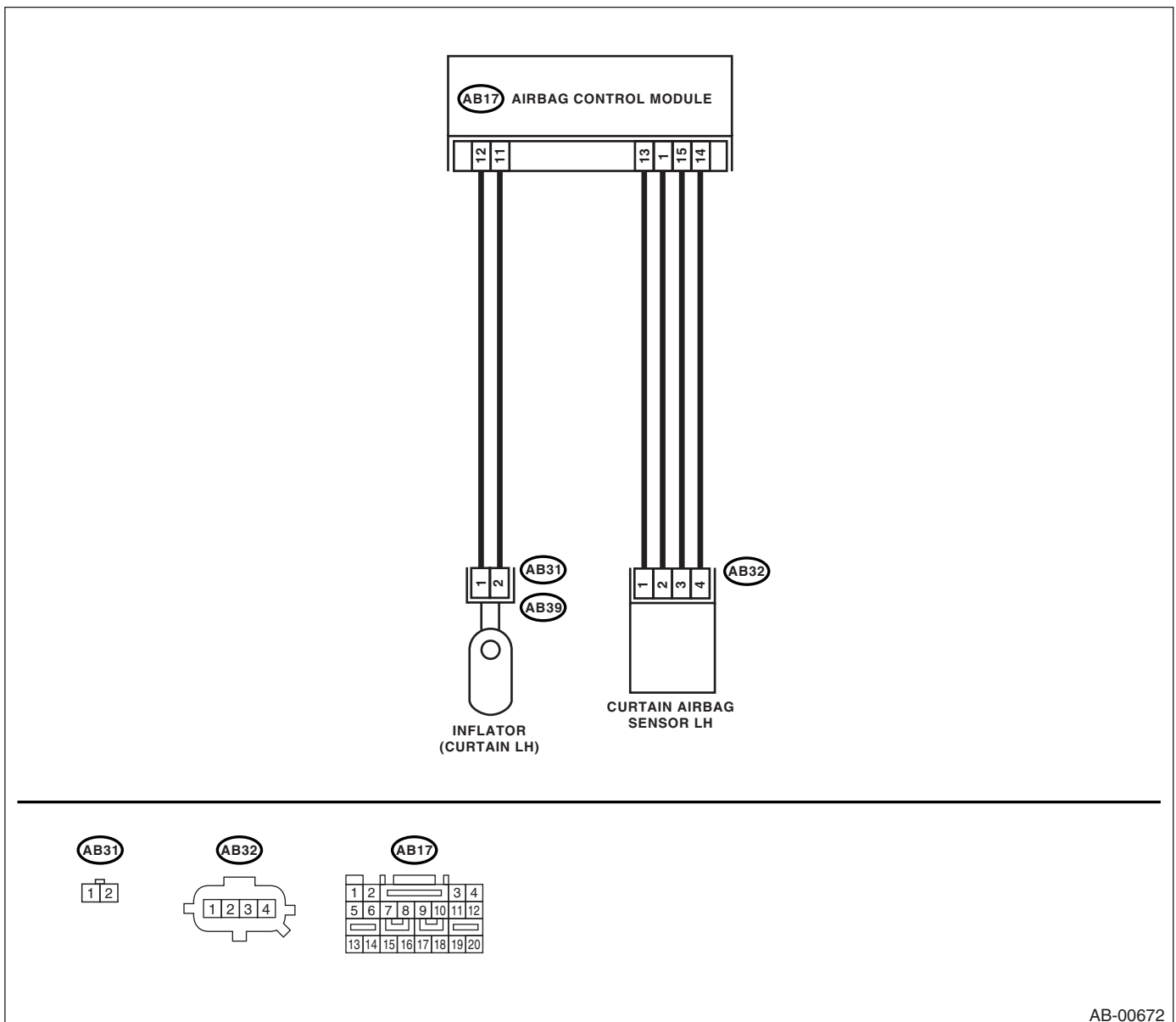
### DTC DETECTING CONDITION:

- Curtain airbag harness (LH) is faulty.
- Curtain airbag module (LH) is faulty.
- Airbag control module is faulty.

### CAUTION:

- Before diagnosing the airbag system, be sure to turn the ignition switch OFF, disconnect the ground terminal from battery, and wait more than 20 seconds before starting to work.
- Before replacing the airbag module, seat belt pretensioner, roll connector, control module and sensor, reconnect each part and confirm that the warning light operates properly.
- When inspecting the airbag main harness, disconnect the airbag module connector of the driver's and passenger's seats for safety reasons.
- When inspecting the airbag rear harness, disconnect the side airbag module connector, curtain airbag module connector and seat belt pretensioner connector for safety reasons.

### WIRING DIAGRAM:



AB-00672



# Diagnostic Chart with Trouble Code

AIRBAG SYSTEM (DIAGNOSTICS)

Step	Check	Yes	No
<b>1 CHECK CURTAIN AIRBAG MODULE.</b> 1) Turn the ignition switch OFF, disconnect the battery ground terminal, and wait more than 20 seconds. 2) Disconnect the connector (AB31) from (AB39), and connect the connector (1F) in test harness F to connector (AB31). 3) Connect the airbag resistor to connector (3F) in the test harness F. 4) Connect the battery ground terminal and turn the ignition switch ON.	Does the airbag warning light operate properly?	Replace the curtain airbag module (LH). <Ref. to AB-18, Curtain Airbag Module.>	Go to step 2.
<b>2 CHECK AIRBAG REAR HARNESS (CURTAIN AIRBAG MODULE HARNESS LH).</b> 1) Turn the ignition switch OFF, disconnect the battery ground terminal, and wait more than 20 seconds. 2) Disconnect the connector (AB21) from seat belt pretensioner (LH). <Ref. to SB-12, Front Seat Belt.> 3) Disconnect the connector (AB19) from side airbag module (LH). 4) Disconnect the airbag resistor from the test harness F. 5) Disconnect the connector (AB17) from airbag control module. <Ref. to AB-20, Airbag Control Module.> 6) Connect the connector (1U) in the test harness U to connector (AB17). 7) Measure the resistance between connector (5U) in the test harness U and connector (3F) in the test harness F. <b>Connector &amp; terminal</b> (5U) No. 1 — (3F) No. 4: (5U) No. 3 — (3F) No. 3:	Is the resistance less than 10 Ω?	Go to step 3.	Replace the airbag rear harness with body harness.
<b>3 CHECK AIRBAG REAR HARNESS (CURTAIN AIRBAG MODULE HARNESS LH).</b> Measure the resistance between connector (5U) terminals in the test harness U. <b>Connector &amp; terminal</b> (5U) No. 1 — (5U) No. 3:	Is the resistance more than 1 MΩ?	Go to step 4.	Replace the airbag rear harness with body harness.
<b>4 CHECK AIRBAG REAR HARNESS (CURTAIN AIRBAG MODULE HARNESS LH).</b> Measure the resistance between the terminals of connector (3F) in the test harness F. <b>Connector &amp; terminal</b> (3F) No. 3 — (3F) No. 4:	Is the resistance more than 1 MΩ?	Go to step 5.	Replace the airbag rear harness with body harness.
<b>5 CHECK AIRBAG REAR HARNESS (CURTAIN AIRBAG MODULE HARNESS LH).</b> Measure the resistance between connector (3F) in the test harness F and chassis ground. <b>Connector &amp; terminal</b> (3F) No. 3 — Chassis ground: (3F) No. 4 — Chassis ground:	Is the resistance more than 1 MΩ?	Go to step 6.	Replace the airbag rear harness with body harness.
<b>6 CHECK AIRBAG REAR HARNESS (CURTAIN AIRBAG MODULE HARNESS LH).</b> Measure the resistance between connector (5U) in the test harness U and chassis ground. <b>Connector &amp; terminal</b> (5U) No. 1 — Chassis ground: (5U) No. 3 — Chassis ground:	Is the resistance more than 1 MΩ?	Replace the airbag control module. <Ref. to AB-20, Airbag Control Module.>	Replace the airbag rear harness with body harness.

# Diagnostic Chart with Trouble Code

AIRBAG SYSTEM (DIAGNOSTICS)

## AK:DTC 95

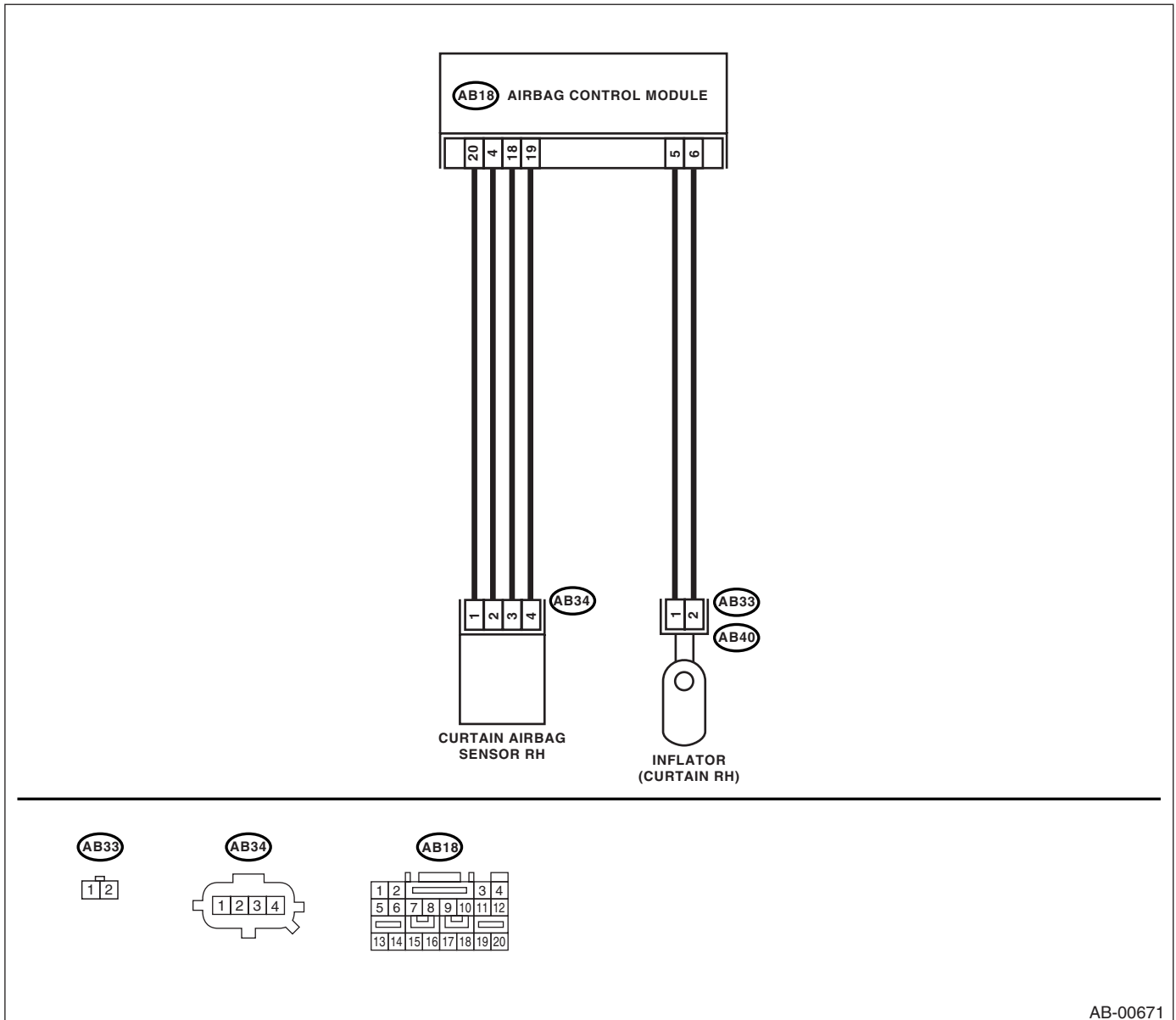
### DTC DETECTING CONDITION:

- Curtain airbag harness (RH) is shorted to power supply.
- Airbag control module is faulty.

### CAUTION:

- Before diagnosing the airbag system, be sure to turn the ignition switch OFF, disconnect the ground terminal from battery, and wait more than 20 seconds before starting to work.
- Before replacing the airbag module, seat belt pretensioner, roll connector, control module and sensor, reconnect each part and confirm that the warning light operates properly.
- When inspecting the airbag main harness, disconnect the airbag module connector of the driver's and passenger's seats for safety reasons.
- When inspecting the airbag rear harness, disconnect the side airbag module connector, curtain airbag module connector and seat belt pretensioner connector for safety reasons.

### WIRING DIAGRAM:



AB-00671

# Diagnostic Chart with Trouble Code

AIRBAG SYSTEM (DIAGNOSTICS)

Step	Check	Yes	No
<p><b>1</b></p> <p><b>CHECK CURTAIN AIRBAG MODULE.</b></p> <p>1) Turn the ignition switch OFF, disconnect the battery ground terminal, and wait more than 20 seconds.</p> <p>2) Disconnect the connector (AB33) from (AB40), and connect the connector (1F) in test harness F to connector (AB33).</p> <p>3) Connect the airbag resistor to connector (3F) in the test harness F.</p> <p>4) Connect the battery ground terminal and turn the ignition switch ON.</p>	<p>Does the airbag warning light operate properly?</p>	<p>Replace the curtain airbag module (RH). &lt;Ref. to AB-18, Curtain Airbag Module.&gt;</p>	<p>Go to step 2.</p>
<p><b>2</b></p> <p><b>CHECK AIRBAG REAR HARNESS (CURTAIN AIRBAG MODULE HARNESS RH).</b></p> <p>1) Turn the ignition switch OFF, disconnect the battery ground terminal, and wait more than 20 seconds.</p> <p>2) Disconnect the connector (AB26) from seat belt pretensioner (RH). &lt;Ref. to SB-12, Front Seat Belt.&gt;</p> <p>3) Disconnect the connector (AB24) from side airbag module (RH).</p> <p>4) Disconnect the airbag resistor from the test harness F.</p> <p>5) Disconnect the connector (AB18) from airbag control module. &lt;Ref. to AB-20, Airbag Control Module.&gt;</p> <p>6) Connect the connector (1U) in the test harness U to connector (AB18).</p> <p>7) Connect the battery ground terminal and turn the ignition switch ON.</p> <p>8) Measure the voltage between connector (5U) in the test harness U and chassis ground.</p> <p><b>Connector &amp; terminal</b></p> <p><b>(5U) No. 6 (+) — Chassis ground (-):</b></p> <p><b>(5U) No. 8 (+) — Chassis ground (-):</b></p>	<p>Is the voltage less than 1 V?</p>	<p>Replace the airbag control module. &lt;Ref. to AB-20, Airbag Control Module.&gt;</p>	<p>Replace the airbag rear harness with body harness.</p>

# Diagnostic Chart with Trouble Code

AIRBAG SYSTEM (DIAGNOSTICS)

## AL:DTC 96

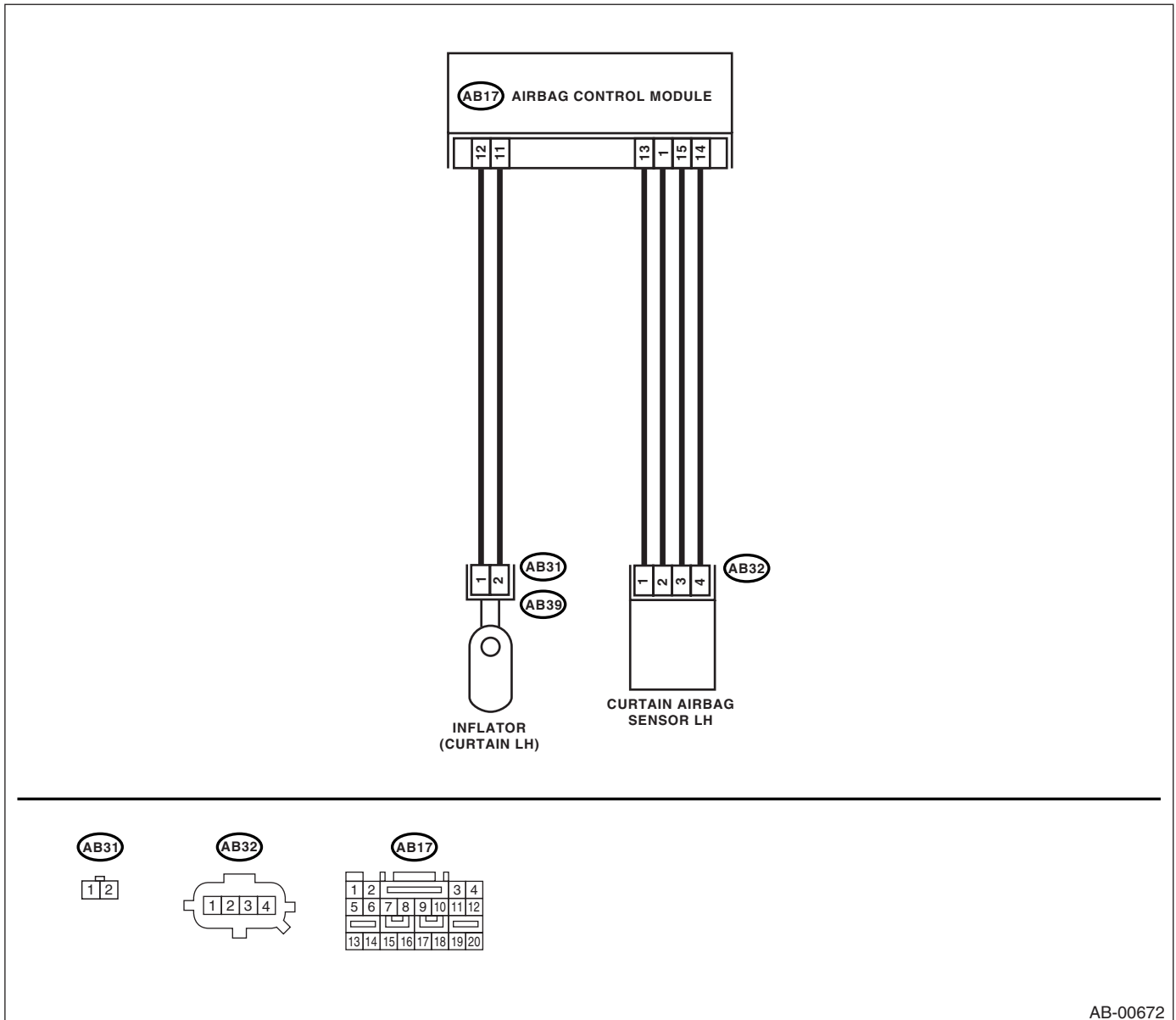
### DTC DETECTING CONDITION:

- Curtain airbag harness (LH) is shorted to power supply.
- Airbag control module is faulty.

### CAUTION:

- Before diagnosing the airbag system, be sure to turn the ignition switch OFF, disconnect the ground terminal from battery, and wait more than 20 seconds before starting to work.
- Before replacing the airbag module, seat belt pretensioner, roll connector, control module and sensor, reconnect each part and confirm that the warning light operates properly.
- When inspecting the airbag main harness, disconnect the airbag module connector of the driver's and passenger's seats for safety reasons.
- When inspecting the airbag rear harness, disconnect the side airbag module connector, curtain airbag module connector and seat belt pretensioner connector for safety reasons.

### WIRING DIAGRAM:



AB-00672

# Diagnostic Chart with Trouble Code

AIRBAG SYSTEM (DIAGNOSTICS)

Step	Check	Yes	No
<b>1 CHECK SIDE AIRBAG MODULE.</b> 1) Turn the ignition switch OFF, disconnect the battery ground terminal, and wait more than 20 seconds. 2) Disconnect the connector (AB31) from (AB39), and connect the connector (1F) in test harness F to the connector (AB31). 3) Connect the airbag resistor to connector (3F) in the test harness F. 4) Connect the battery ground terminal and turn the ignition switch ON.	Does the airbag warning light operate properly?	Replace the curtain airbag module (LH). <Ref. to AB-18, Curtain Airbag Module.>	Go to step 2.
<b>2 CHECK AIRBAG REAR HARNESS (CURTAIN AIRBAG MODULE HARNESS LH).</b> 1) Turn the ignition switch OFF, disconnect the battery ground terminal, and wait more than 20 seconds. 2) Disconnect the connector (AB21) from seat belt pretensioner (LH). <Ref. to SB-12, Front Seat Belt.> 3) Disconnect the connector (AB19) from side airbag module (LH). 4) Disconnect the airbag resistor from the test harness F. 5) Disconnect the connector (AB17) from airbag control module. <Ref. to AB-20, Airbag Control Module.> 6) Connect the connector (1U) in the test harness U to connector (AB17). 7) Connect the battery ground terminal and turn the ignition switch ON. 8) Measure the voltage between connector (5U) in the test harness U and chassis ground. <b>Connector &amp; terminal</b> (5U) No. 1 (+) — Chassis ground (-): (5U) No. 3 (+) — Chassis ground (-):	Is the voltage less than 1 V?	Replace the airbag control module. <Ref. to AB-20, Airbag Control Module.>	Replace the airbag rear harness with body harness.

# Diagnostic Chart with Trouble Code

AIRBAG SYSTEM (DIAGNOSTICS)

---