

**BODY SECTION**

This service manual has been prepared to provide SUBARU service personnel with the necessary information and data for the correct maintenance and repair of SUBARU vehicles.

This manual includes the procedures for maintenance, disassembling, reassembling, inspection and adjustment of components and diagnostics for guidance of experienced mechanics.

Please peruse and utilize this manual fully to ensure complete repair work for satisfying our customers by keeping their vehicle in optimum condition. When replacement of parts during repair work is needed, be sure to use SUBARU genuine parts.

All information, illustration and specifications contained in this manual are based on the latest product information available at the time of publication approval.

<b>HVAC SYSTEM (HEATER, VENTILATOR AND A/C)</b>	<b>AC</b>
<b>HVAC SYSTEM (AUTO A/C) (DIAGNOSTICS)</b>	<b>AC(diag)</b>
<b>AIRBAG SYSTEM</b>	<b>AB</b>
<b>AIRBAG SYSTEM (DIAGNOSTICS)</b>	<b>AB(diag)</b>
<b>SEAT BELT SYSTEM</b>	<b>SB</b>
<b>LIGHTING SYSTEM</b>	<b>LI</b>
<b>WIPER AND WASHER SYSTEMS</b>	<b>WW</b>
<b>ENTERTAINMENT</b>	<b>ET</b>
<b>COMMUNICATION SYSTEM</b>	<b>COM</b>
<b>GLASS/WINDOWS/MIRRORS</b>	<b>GW</b>
<b>BODY STRUCTURE</b>	<b>BS</b>
<b>INSTRUMENTATION/DRIVER INFO</b>	<b>IDI</b>
<b>SEATS</b>	<b>SE</b>
<b>SECURITY AND LOCKS</b>	<b>SL</b>
<b>SUNROOF/T-TOP/CONVERTIBLE TOP (SUNROOF)</b>	<b>SR</b>
<b>EXTERIOR/INTERIOR TRIM</b>	<b>EI</b>
<b>EXTERIOR BODY PANELS</b>	<b>EB</b>

**BODY SECTION**

**CRUISE CONTROL SYSTEM CC**

**CRUISE CONTROL SYSTEM (DIAGNOSTICS) CC(diag)**

**IMMOBILIZER (DIAGNOSTICS) IM(diag)**

**LAN SYSTEM (DIAGNOSTICS) LAN(diag)**

# AIRBAG SYSTEM

# AB

---

	<b>Page</b>
1. General Description .....	2
2. Airbag Connector .....	9
3. Inspection Locations After a Collision .....	12
4. Driver's Airbag Module .....	14
5. Passenger's Airbag Module .....	15
6. Side Airbag Module .....	16
7. Curtain Airbag Module .....	18
8. Airbag Control Module .....	20
9. Side Airbag Sensor .....	21
10. Curtain Airbag Sensor .....	22
11. Roll Connector .....	23
12. Front Sub Sensor .....	24
13. Disposal of Airbag Module (Deployment Processing On Vehicle) .....	25
14. Disposal of Airbag Module (Deployment Processing After Removal from Vehicle) .....	30

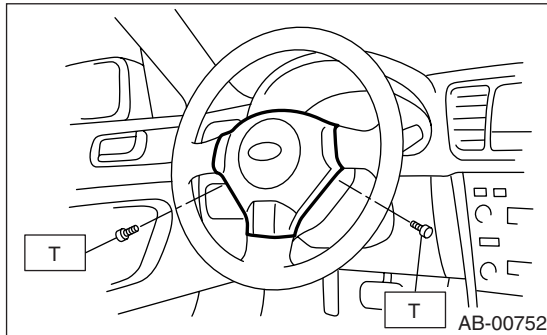
# General Description

## AIRBAG SYSTEM

### 1. General Description

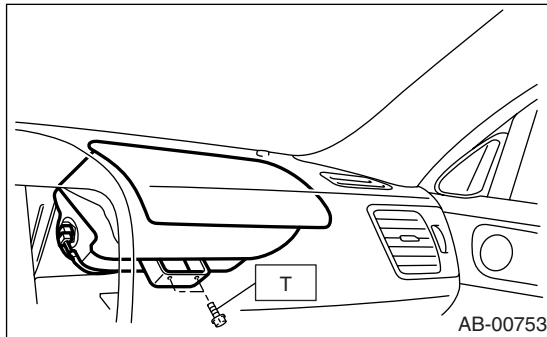
#### A: COMPONENT

##### 1. DRIVER'S AIRBAG MODULE



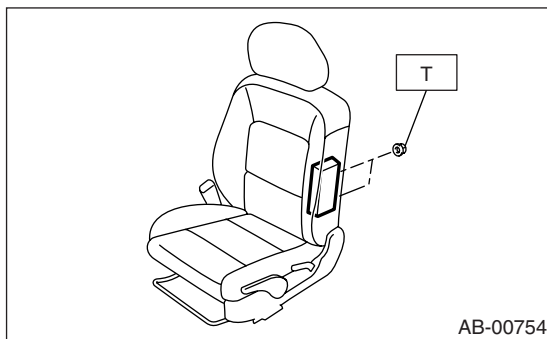
**Tightening torque:**  
**10 N·m (1.0 kgf·m, 7.2 ft·lb)**

##### 2. PASSENGER'S AIRBAG MODULE



**Tightening torque:**  
**7.4 N·m (0.75 kgf·m, 5.5 ft·lb)**

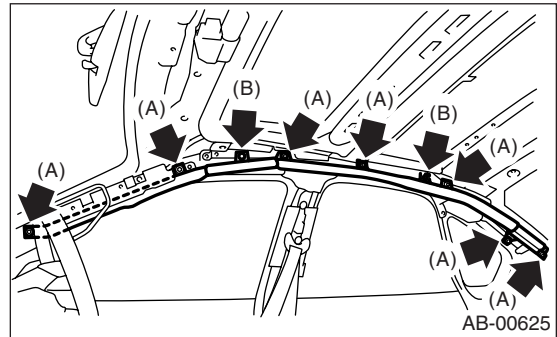
##### 3. SIDE AIRBAG MODULE



**Tightening torque:**  
**6 N·m (0.61 kgf·m, 4.4 ft·lb)**

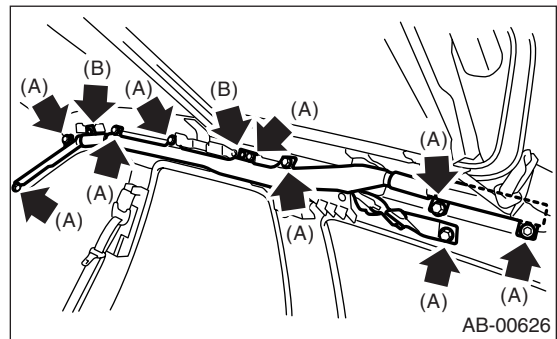
##### 4. CURTAIN AIRBAG MODULE

- Sedan model



(A) Bolt  
(B) Clip

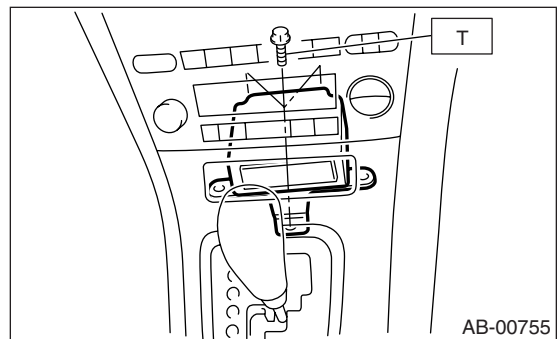
- Wagon model



(A) Bolt  
(B) Clip

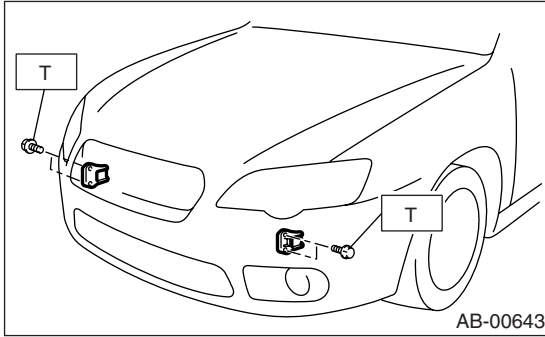
**Tightening torque:**  
**7.5 N·m (0.77 kgf·m, 5.5 ft·lb)**

##### 5. AIRBAG CONTROL MODULE



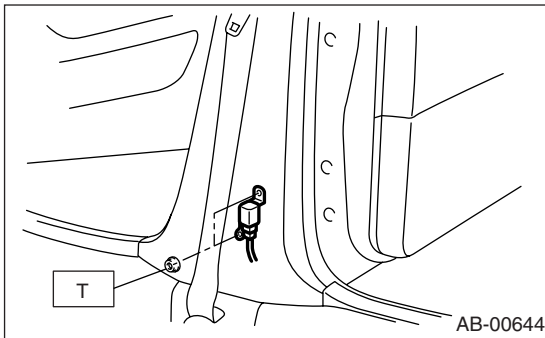
**Tightening torque:**  
**25 N·m (2.5 kgf·m, 18.1 ft·lb)**

## 6. FRONT SUB SENSOR



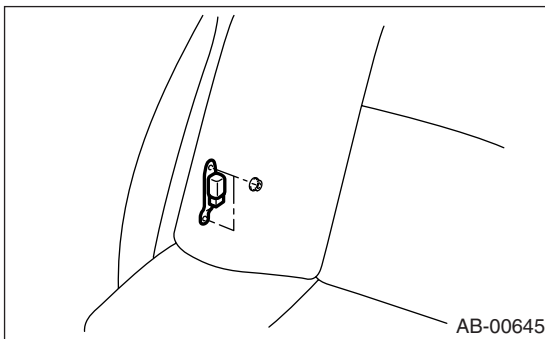
**Tightening torque:**  
**13 N·m (1.32 kgf·m, 9.6 ft·lb)**

## 7. SIDE AIRBAG SENSOR



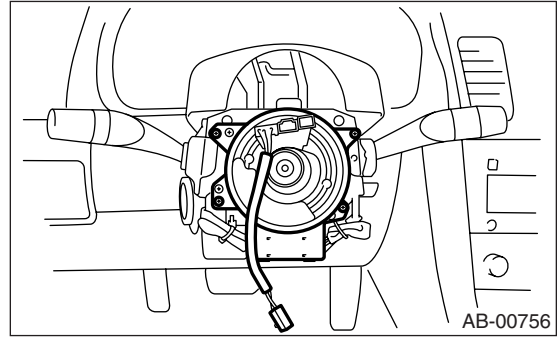
**Tightening torque:**  
**7.4 N·m (0.75 kgf·m, 5.5 ft·lb)**

## 8. CURTAIN AIRBAG SENSOR

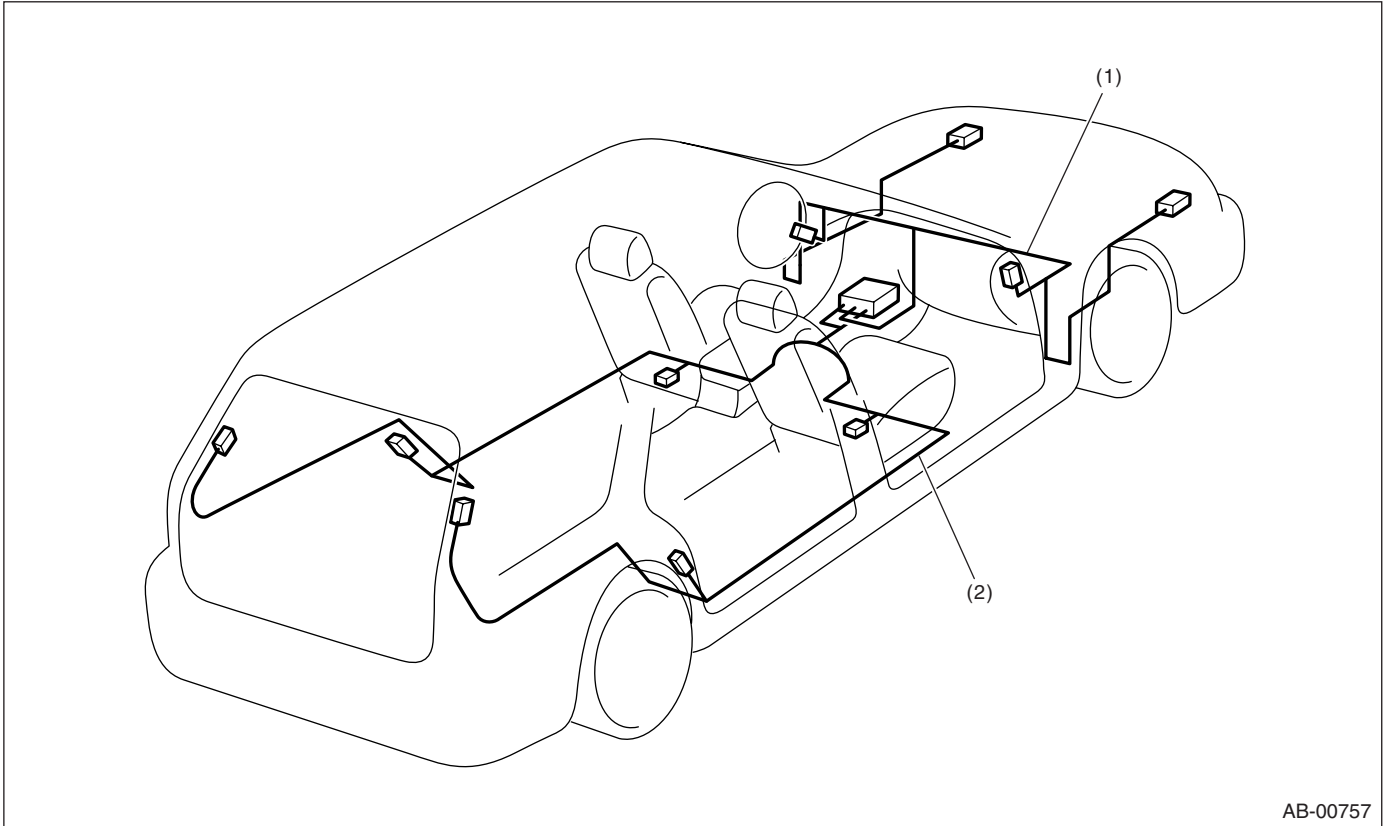


**Tightening torque:**  
**7.4 N·m (0.75 kgf·m, 5.5 ft·lb)**

## 9. STEERING ROLL CONNECTOR



### 10. AIRBAG HARNESS



AB-00757

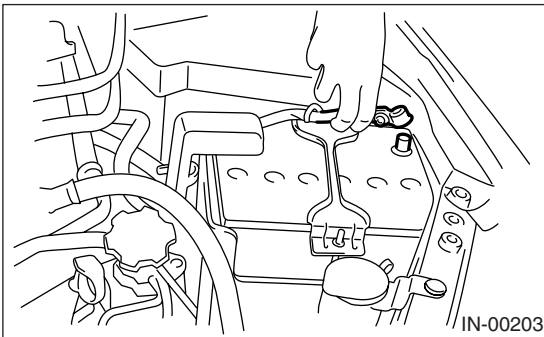
(1) Airbag main harness

(2) Airbag rear harness

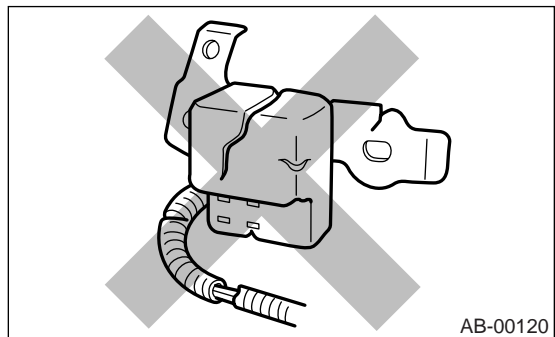
#### **B: CAUTION**

- When servicing a vehicle, be sure to turn the ignition switch to OFF, disconnect the ground cable from battery, and wait for more than 20 seconds before starting work.
- The airbag system is fitted with a backup power source. If the airbag system is serviced within 20 seconds after the ground cable is disconnected, it may inflate.

- If sensors, airbag module, airbag control module, pretensioner and harness are deformed or damaged, replace them with new parts.



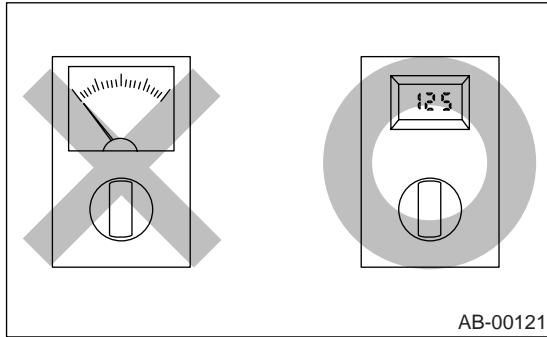
IN-00203



AB-00120

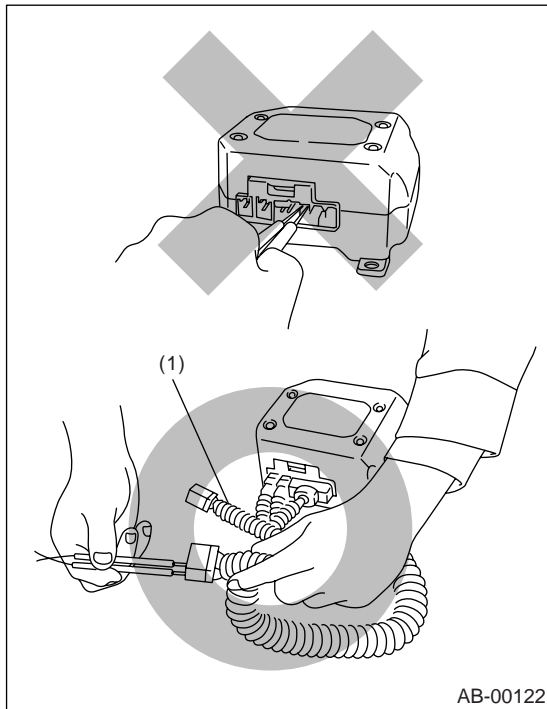
- If the airbag warning light illuminates, repair the vehicle immediately. Airbag or pretensioner may inflate incorrectly, or not inflate in collision.

- When checking the airbag system, be sure to use a digital circuit tester. Use of an analog circuit tester may cause the airbag to activate erroneously.



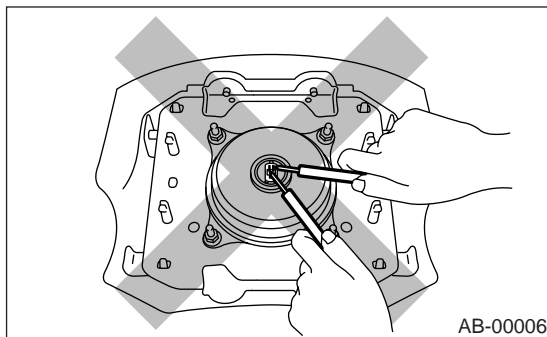
AB-00121

- When checking, use a test harness (1). Since damage to the connector terminal may cause the airbag to activate erroneously, do not directly apply the tester probe to any connector terminal of the airbag.



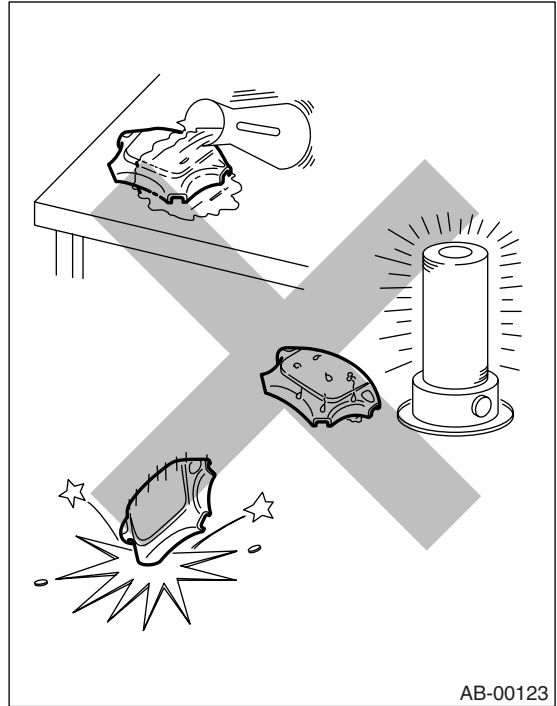
AB-00122

- Do not check continuity of the airbag modules for driver, passenger, side or curtain, or pretensioner.



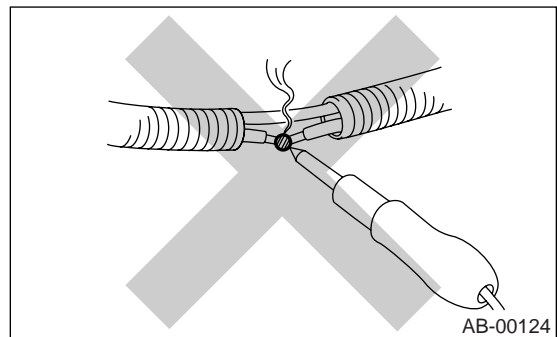
AB-00006

- Do not drop the airbag modules, subject them to high temperature over 93°C (199°F), or let water, oil or grease get on them; the internal parts may be damaged and reliability greatly lowered.



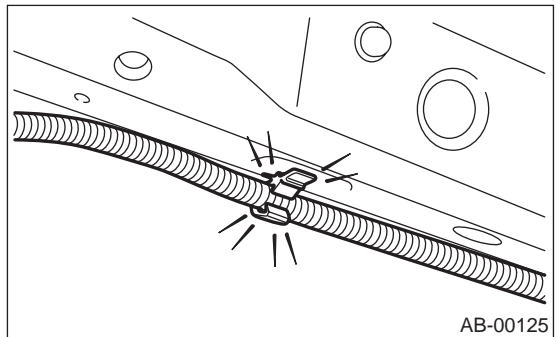
AB-00123

- If any damage, opening or rust is found on the airbag system wire harness, do not attempt to repair using soldering equipment. Be sure to replace the faulty harness with a new genuine part.



AB-00124

- Install the wire harness securely with the specified clips to avoid interference or tangled up with other parts.

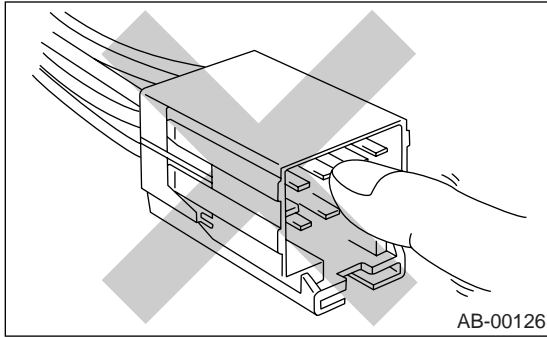


AB-00125

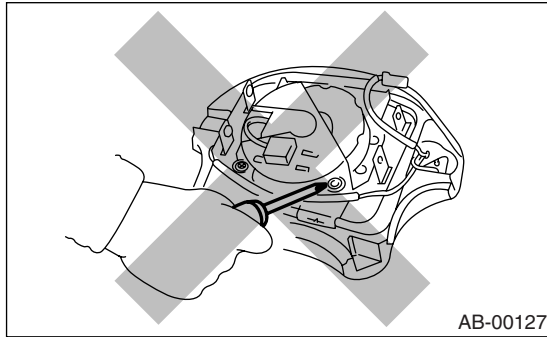
## General Description

### AIRBAG SYSTEM

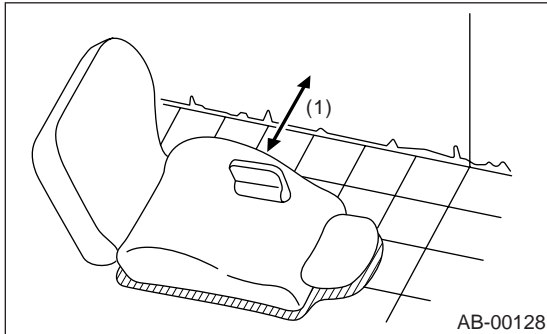
- Do not allow water or oil to come in contact with the connector terminals. Do not touch the connector terminals.



- Either of the airbag modules for driver, passenger, side or curtain, or pretensioner must not be disassembled.

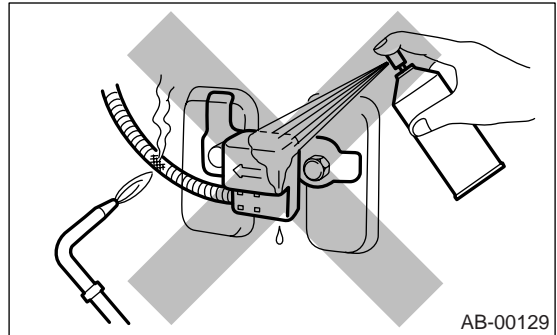


- The removed front seat with airbag module must be kept at least 200 mm (8 in) away from walls and other objects.



(1) 200 mm (8 in) or more

- When painting or performing sheet metal work on the side of the vehicle, including the side sill, center pillar, and front and rear doors, remove the side airbag sensors and wire harness of airbag system.



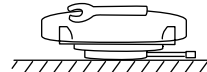
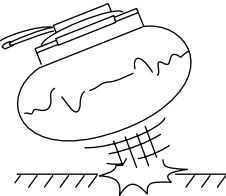
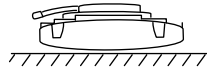
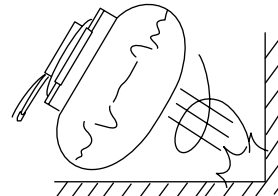
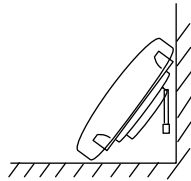
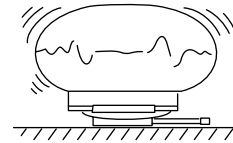
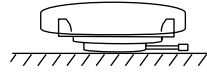
- Do not use the airbag or pretensioner parts from other vehicles. Always replace the defective parts with new parts.
- Never reuse a deployed airbag and pretensioner.
- When painting or performing sheet metal work on the front part of the vehicle, including the front wheel apron front fender, and front side frame, remove the front sub sensors and wire harness of airbag system.



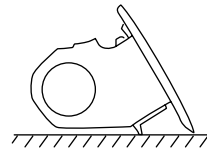
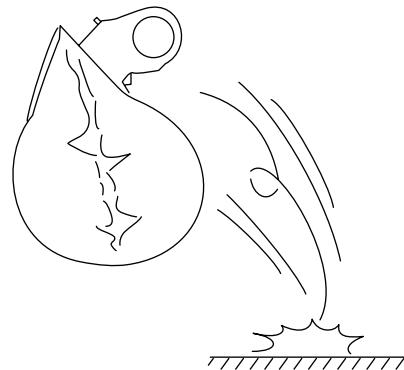
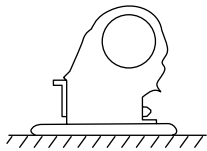
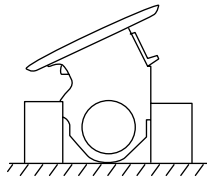
# General Description

- When storing a removed airbag module, do not place any objects on it or pile airbag modules on top of each other. If the airbag inflates for some reason when it is placed with its pad side facing downward or under any object, a serious accident may result.

(1)



(2)



AB-00130

(1) Driver's airbag module

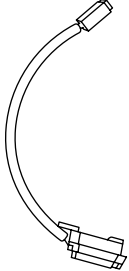
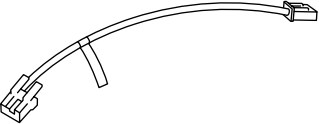
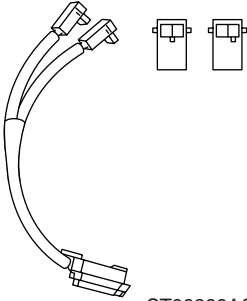
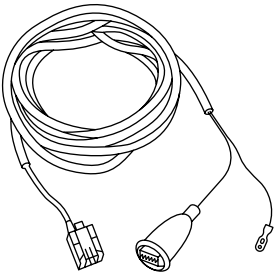
(2) Passenger's airbag module

# General Description

AIRBAG SYSTEM

## C: PREPARATION TOOL

### 1. SPECIAL TOOL

ILLUSTRATION	TOOL NUMBER	DESCRIPTION	REMARKS
 <p style="text-align: center;">ST98299FC030</p>	98299FC030	DEPLOYMENT ADAPTER A	<ul style="list-style-type: none"> <li>• Used for deploying side airbag module.</li> <li>• Used for deploying curtain airbag module.</li> <li>• Used with DEPLOYMENT TOOL (98299PA030).</li> </ul>
 <p style="text-align: center;">ST98299SA030</p>	98299SA030	DEPLOYMENT ADAPTER E	<ul style="list-style-type: none"> <li>• Used for deploying driver's airbag module.</li> <li>• Used for deploying passenger's airbag module.</li> <li>• Used with DEPLOYMENT TOOL (98299PA030).</li> </ul>
 <p style="text-align: center;">ST98299AG030</p>	98299AG030	DEPLOYMENT ADAPTER X	<ul style="list-style-type: none"> <li>• Used for deploying driver's airbag module.</li> <li>• Used with DEPLOYMENT TOOL (98299PA030).</li> <li>• Can not reuse.</li> </ul>
 <p style="text-align: center;">ST98299PA030</p>	98299PA030	DEPLOYMENT TOOL	<ul style="list-style-type: none"> <li>• Used for deploying airbag module.</li> <li>• Used with each deployment adapter.</li> </ul>

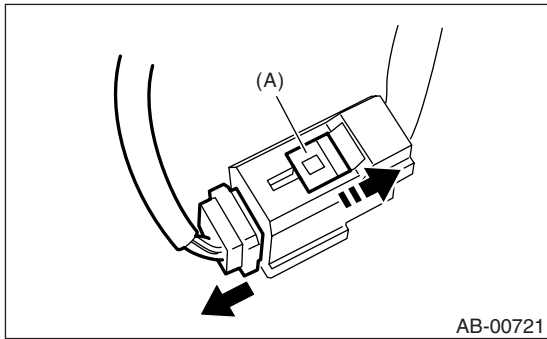
## 2. Airbag Connector

### A: PROCEDURE

#### 1. POWER SUPPLY

1) How to disconnect:

- (1) Move the slide lock (A) in the direction of arrow.
- (2) With the slide lock (A) moved, separate the connector.

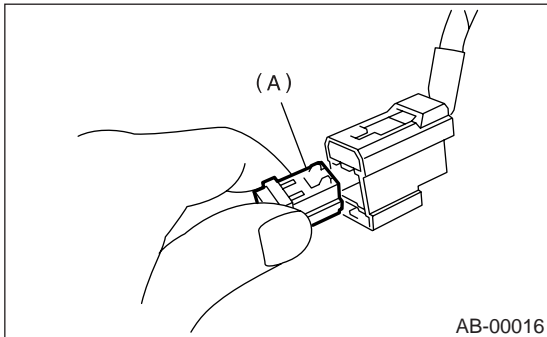


**CAUTION:**

When pulling the slide lock or disconnecting the connector, be sure to hold onto the connector and not the wire.

2) How to connect:

Holding the connector (A), and push it in carefully until a connecting sound is heard.



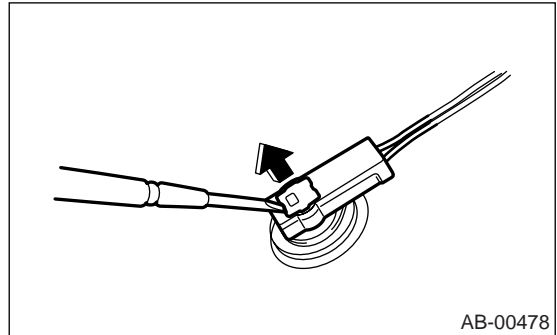
**CAUTION:**

Be sure to insert the connector in until it is locked. Then pull on it gently to make sure that it is locked.

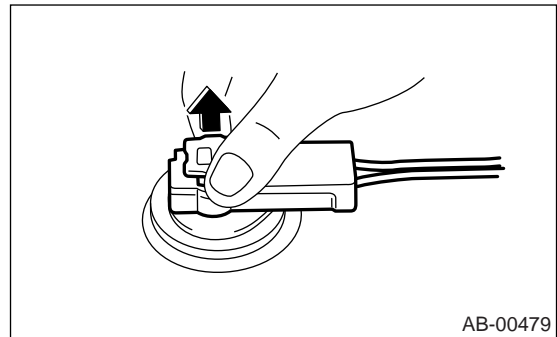
#### 2. DRIVER'S AIRBAG MODULE AND PRE-TENSIONER

1) How to disconnect:

- (1) Using a flat tip screwdriver, pry the push lock upward to unlock.



- (2) Pull the connector to disconnect from the driver's airbag module assembly or retractor assembly.

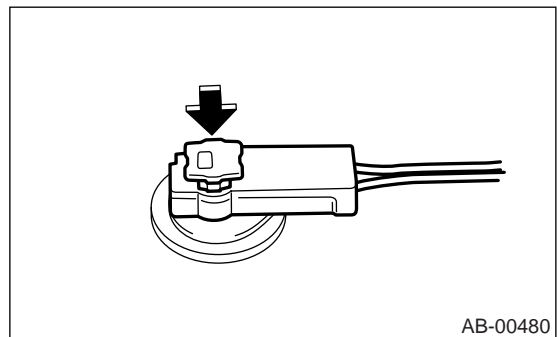


2) How to connect:

Connect the connector in the reverse order of disconnecting. At this time, be sure to insert the push lock until a connecting sound is heard.

**CAUTION:**

- Be sure to insert the connector in until it is locked. Then pull on it gently to make sure that it is locked.
- Be sure to push the push lock in securely.



**NOTE:**

Connector can not be connected when the push lock is in lock position. To connect the connector, set the push lock to unlock position.

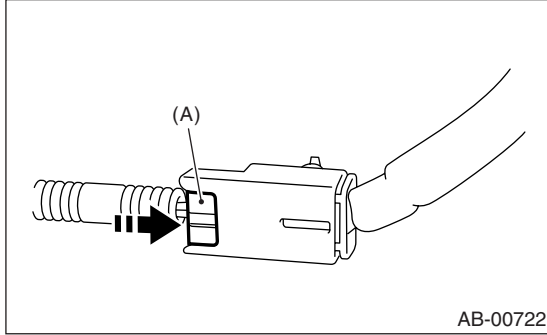
# Airbag Connector

## AIRBAG SYSTEM

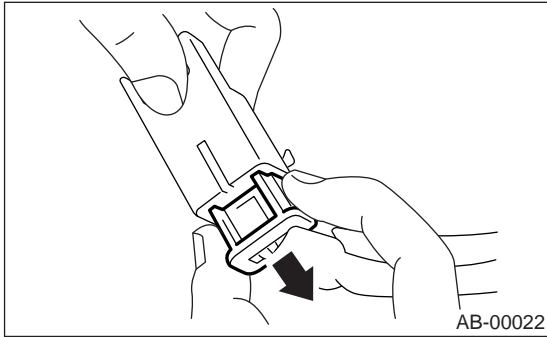
### 3. DRIVER'S AIRBAG (BETWEEN AIRBAG MAIN HARNESS AND ROLL CONNECTOR), PASSENGER'S AIRBAG

1) How to disconnect:

- (1) Push the slide lock (A) into the direction of arrow.



- (2) With the slide lock pushed, disconnect the connector.

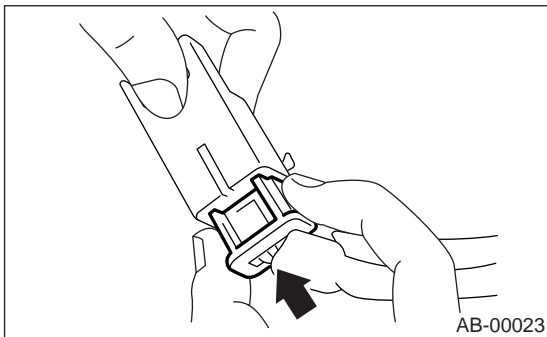


**CAUTION:**  
When pulling the side lock or disconnecting the connector, be sure to hold onto the connector and not the wire.

2) How to connect:

Holding the connector, and push it in carefully until a connecting sound is heard.

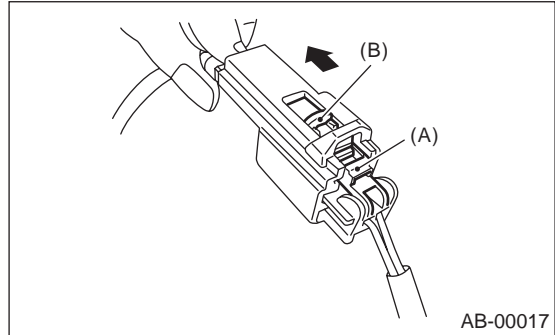
**CAUTION:**  
Be sure to insert the connector in until it is locked. Then pull on it gently to make sure that it is locked.



### 4. SIDE AIRBAG AND CURTAIN AIRBAG

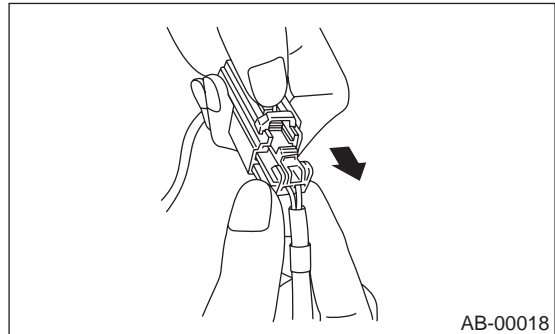
1) How to disconnect:

- (1) Push the lock arm (A).
- (2) With the lock arm (A) pushed in, move the slide lock (B) in the direction of arrow.



- (3) With the slide lock moved, release the lock arm (back to its original position), and disconnect the connector.

**CAUTION:**  
When pulling the side lock or disconnecting the connector, be sure to hold onto the connector and not the wire.

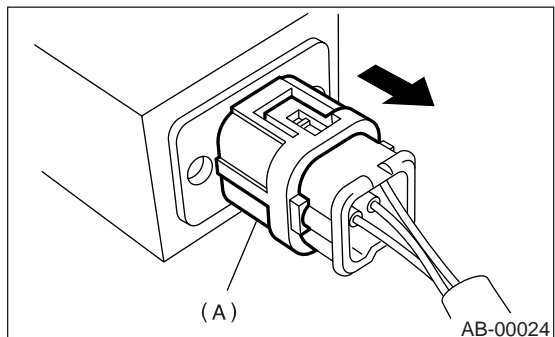


### 5. FRONT SUB-SENSOR, SIDE AIRBAG SENSOR AND CURTAIN AIRBAG SENSOR

1) How to disconnect:

Holding the outer part (A), pull it in the direction of arrow.

**CAUTION:**  
When pulling the side lock or disconnecting the connector, be sure to hold onto the connector and not the wire.

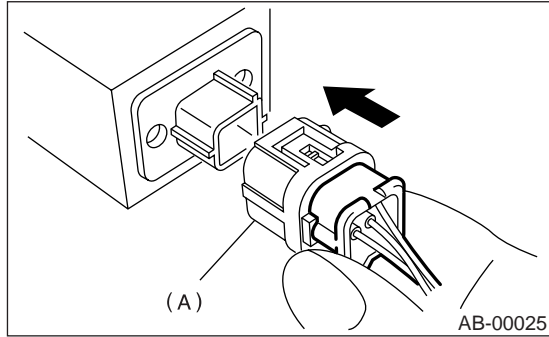


2) How to connect:

Holding the connector, and push it in carefully until a connecting sound is heard.

**CAUTION:**

- The outer side (A) moves back, and so do not put your hand on the outer part.
- Be sure to insert the connector in until it is locked. Then pull on it gently to make sure that it is locked.



### 3. Inspection Locations After a Collision

#### A: REPLACEMENT

Replace the following parts when the airbag is deployed.

##### 1. FRONT COLLISION

- 1) Driver's airbag module
- 2) Passenger's airbag module
- 3) Driver's seat belt (Pretensioner)
- 4) Passenger's seat belt (Pretensioner)
- 5) Airbag control module
- 6) Front sub sensor
- 7) Roll connector
- 8) Instrument panel (for integrating with passenger's airbag module)

##### 2. SIDE COLLISION

- 1) Airbag control module
- 2) Side airbag module (operating side seat backrest)
- 3) Side airbag sensor (operating side)
- 4) Curtain airbag module (operating side)
- 5) Curtain airbag sensor (operating side)

##### 3. INSPECTION OF OTHER PARTS

Check for the following, and replace the damaged parts with new parts.

- 1) Check the steering shaft for mounting conditions and deflection of front and rear, upward and downward directions, and deflection of front and rear direction with tilt lever released. (After collision, absorbing part of steering shaft may work.)
- 2) Check the direct type connector of driver's airbag module, pretensioner, etc. for damage, and also check each harness for pinch and connector damage. Replace the harness as a unit if damage is found.
- 3) Check the installing condition and play of the seat cushion, backrest, seat rail and headrest.

#### B: INSPECTION

If the vehicle is involved in a collision on any side, even if it is a slight collision, be sure to check the following systems.

##### 1. DRIVER'S AIRBAG MODULE

- 1) Check for the following, and replace the damaged parts with new parts.
  - Airbag module is cracked or deformed.
  - Harness and/or connector is cracked, deformed or open. Harness wire is exposed.
  - The module surface is fouled with grease, oil, water or cleaning solvent.

2) When installing a new driver's airbag module, check for the following, and replace the damaged parts with new parts.

- The steering wheel is in the way, making it difficult to install the airbag module.
- The clearance between the driver's airbag module and steering wheel is not constant.
- When steering wheel deformation in axial, upward and downward directions exceed limits.

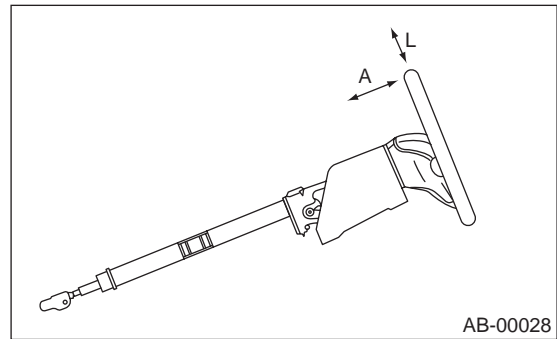
##### Standard value:

##### Height deflection A

Less than 6 mm (0.24 in)

##### O.D. deflection L

Less than 7 mm (0.28 in)



##### 2. PASSENGER'S AIRBAG MODULE

Check for the following, and replace the damaged parts with new parts.

- Airbag module and instrument panel are cracked or deformed.
- Harness and/or connector is cracked, deformed or open. Harness wire is exposed.
- Mounting bracket is cracked or deformed.

##### 3. SIDE AIRBAG MODULE

Check for the following, and replace the damaged parts with new parts.

- Front seat, airbag module and mounting bracket are damaged or deformed.
- Harness and/or connector is cracked, deformed or open. Harness wire is exposed.

##### 4. CURTAIN AIRBAG MODULE

Check for the following, and replace the damaged parts with new parts.

- Airbag cover is scratched or broken.
- Harness and/or connector is cracked, deformed or open. Harness wire is exposed.
- Mounting bracket and securing clip are cracked or deformed.

##### 5. AIRBAG CONTROL MODULE

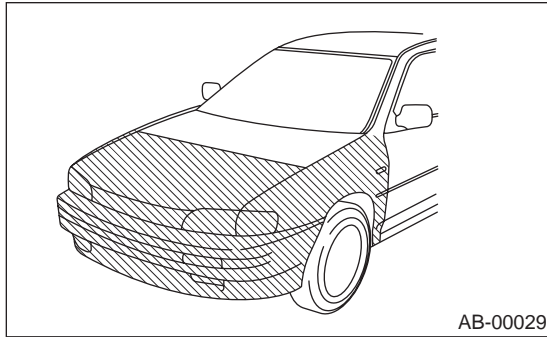
Check for the following, and replace the damaged parts with new parts.

- Control module is cracked or deformed.

- Mounting bracket is cracked or deformed.
- Connector is scratched, cracked or deformed.
- Airbag is deployed.
- Side airbag is deployed.
- Curtain airbag is deployed.

## 6. FRONT SUB SENSOR

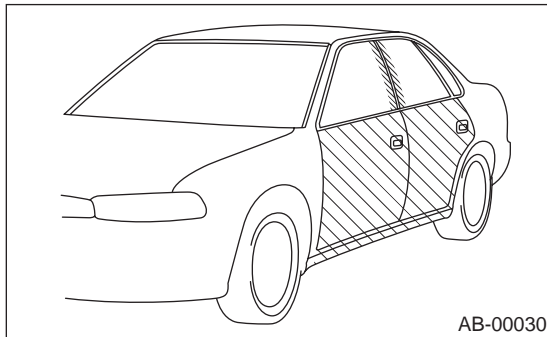
If the section of vehicle as shown in the figure is damaged, check for the following and replace the damaged parts with new parts.



- Front sub sensor is cracked or deformed.
- Mounting bracket is cracked or deformed.
- Connector is scratched, cracked or deformed.
- Airbag is deployed.

## 7. SIDE AIRBAG SENSOR AND CURTAIN AIRBAG SENSOR

If the section of vehicle as shown in the figure is damaged, check for the following and replace the damaged parts with new parts.



- Side airbag sensor and curtain airbag sensor are cracked or deformed.
- Mounting bracket is cracked or deformed.
- Connector is scratched, cracked or deformed.
- Side airbag sensor or curtain airbag is deployed. (operating side)

## 8. ROLL CONNECTOR

Check for the following, and replace the damaged parts with new parts.

- Combination switch or steering roll connector is cracked or deformed.

## 9. STEERING SHAFT

Check for the following, and replace the damaged parts with new parts.

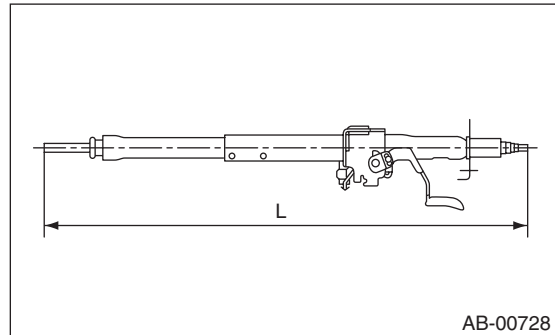
- Overall length of steering column should be within specifications.

**Standard value:**

**Overall length L**

**Except for OUTBACK model**  
 $833.6^{+1.3}_{-0.3} \text{ mm } (32.8^{+0.1}_{-0.01} \text{ in})$

**OUTBACK model**  
 $825.4^{+1.3}_{-0.3} \text{ mm } (32.5^{+0.1}_{-0.01} \text{ in})$



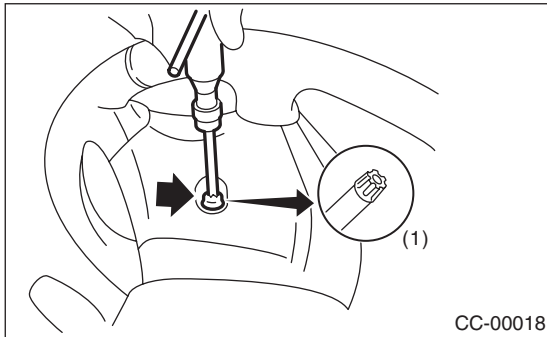
## 4. Driver's Airbag Module

### A: REMOVAL

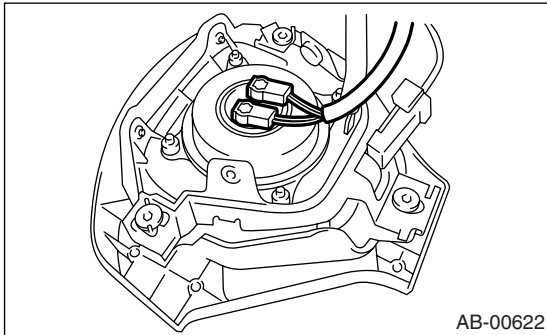
**CAUTION:**

Refer to "CAUTION" of General Description before handling the airbag module. <Ref. to AB-4, CAUTION, General Description.>

- 1) Position the front wheels straight ahead. (After moving a vehicle more than 5 m (16 ft) with front wheels positioned straight ahead, make sure the vehicle moves straight ahead.)
- 2) Turn the ignition switch to OFF.
- 3) Disconnect the ground cable from battery and wait for at least 20 seconds before starting work.
- 4) Using TORX® BIT T30 (1), remove the two TORX® bolts on the side of steering wheel.



- 5) Disconnect the horn harness.
- 6) Disconnect the airbag connector on the back of airbag module, and then remove the airbag module. <Ref. to AB-9, PROCEDURE, Airbag Connector.>



- 7) Refer to "CAUTION" for handling of a removed airbag module. <Ref. to AB-4, CAUTION, General Description.>

### B: INSTALLATION

**CAUTION:**

- Refer to "CAUTION" of General Description before handling the airbag module. <Ref. to AB-4, CAUTION, General Description.>
- Do not allow harness and connectors to interfere or get tangled up with other parts.
- To prevent the misconnection, the connector is colored. Connect the harness side connector to the same color of module side connector.

Install in the reverse order of removal.

**Tightening torque:**

Refer to "COMPONENT" of "General Description". <Ref. to AB-2, DRIVER'S AIRBAG MODULE, COMPONENT, General Description.>

### C: INSPECTION

**CAUTION:**

Refer to "CAUTION" of General Description before handling the airbag module. <Ref. to AB-4, CAUTION, General Description.>

Check for the following, and replace damaged parts with new parts.

- Airbag module, harness, connector and mounting bracket are damaged. <Ref. to AB-12, DRIVER'S AIRBAG MODULE, INSPECTION, Inspection Locations After a Collision.>



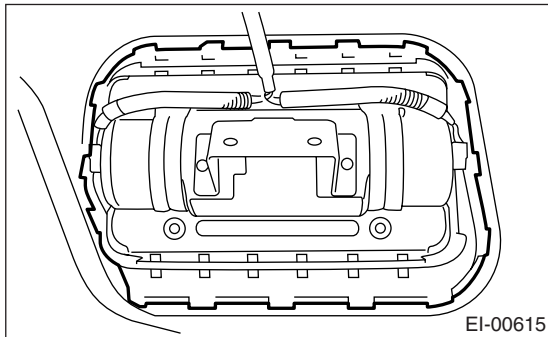
## 5. Passenger's Airbag Module

### A: REMOVAL

**CAUTION:**

Refer to "CAUTION" of "General Description" before handling the airbag module. <Ref. to AB-4, CAUTION, General Description.>

- 1) Turn the ignition switch to OFF.
- 2) Disconnect the ground cable from battery and wait for at least 20 seconds before starting work.
- 3) Remove the instrument panel. <Ref. to EI-56, INSTRUMENT PANEL (EXCLUDING STEERING SUPPORT BEAM), REMOVAL, Instrument Panel Assembly.>
- 4) Remove the pawl and remove the passenger's airbag module.



- 5) Refer to "CAUTION" for handling of a removed airbag module. <Ref. to AB-4, CAUTION, General Description.>

### B: INSTALLATION

**CAUTION:**

Refer to "CAUTION" of General Description before handling the airbag module. <Ref. to AB-4, CAUTION, General Description.>

Install in the reverse order of removal.

**CAUTION:**

Do not allow harness and connectors to interfere or get tangled up with other parts.

**Tightening torque:**

Refer to "COMPONENT" of "General Description". <Ref. to AB-2, PASSENGER'S AIRBAG MODULE, COMPONENT, General Description.>

### C: INSPECTION

**CAUTION:**

Refer to "CAUTION" of General Description before handling the airbag module. <Ref. to AB-4, CAUTION, General Description.>

Check for the following, and replace damaged parts with new parts.

- Airbag module, harness, connector, and mounting bracket are damaged. <Ref. to AB-12, PASSENGER'S AIRBAG MODULE, INSPECTION, Inspection Locations After a Collision.>

## 6. Side Airbag Module

### A: REMOVAL

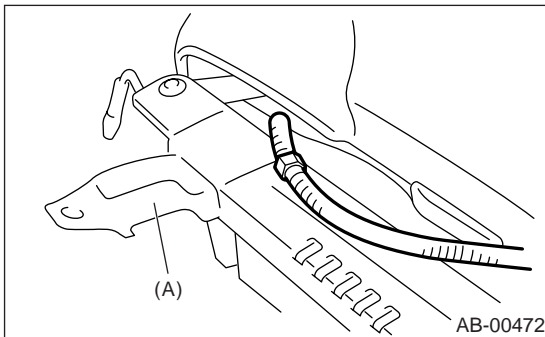
#### CAUTION:

Refer to “CAUTION” of General Description before handling the airbag module. <Ref. to AB-4, CAUTION, General Description.>

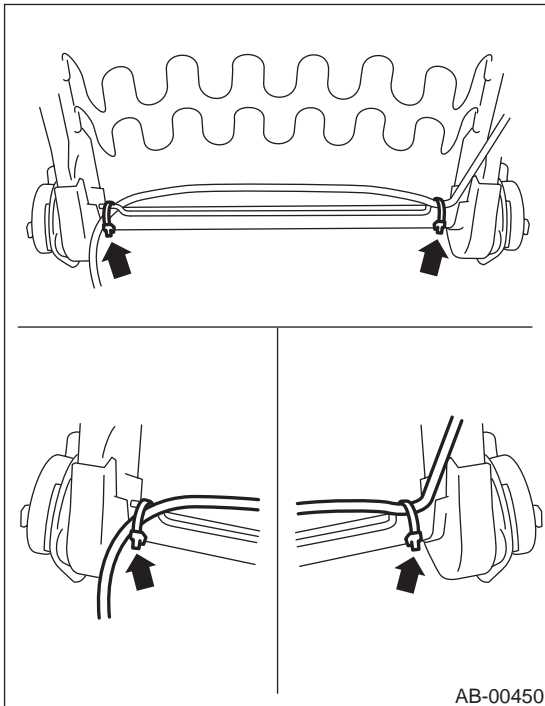
#### NOTE:

Remove the passenger's side by referring to driver's side.

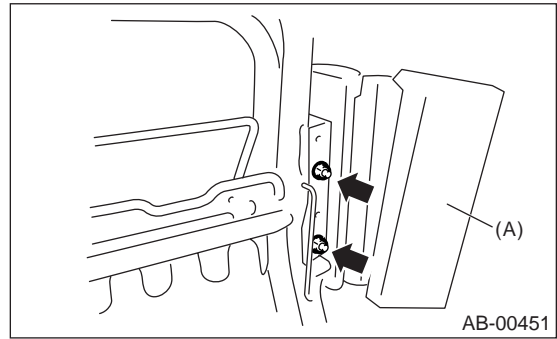
- 1) Turn the ignition switch to OFF.
- 2) Disconnect the ground cable from battery and wait for at least 20 seconds before starting work.
- 3) Remove the front seats. <Ref. to SE-7, REMOVAL, Front Seat.>
- 4) Remove the clip from reverse side of seat cushion assembly and slide rail IN (A), and then remove the side airbag harness.



- 5) Remove the backrest cover. <Ref. to SE-7, DISASSEMBLY, Front Seat.>
- 6) Remove the side airbag harness from backrest frame assembly.



- 7) Remove the side airbag module (A) from backrest frame assembly.



## B: INSTALLATION

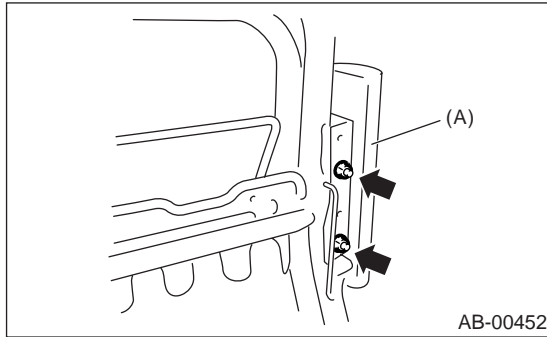
**CAUTION:**

Refer to “CAUTION” of General Description before handling the airbag module. <Ref. to AB-4, CAUTION, General Description.>

- 1) Ensure that there are no foreign articles on side airbag module.
- 2) Install the side airbag module (A) to backrest frame assembly.

**Tightening torque:**

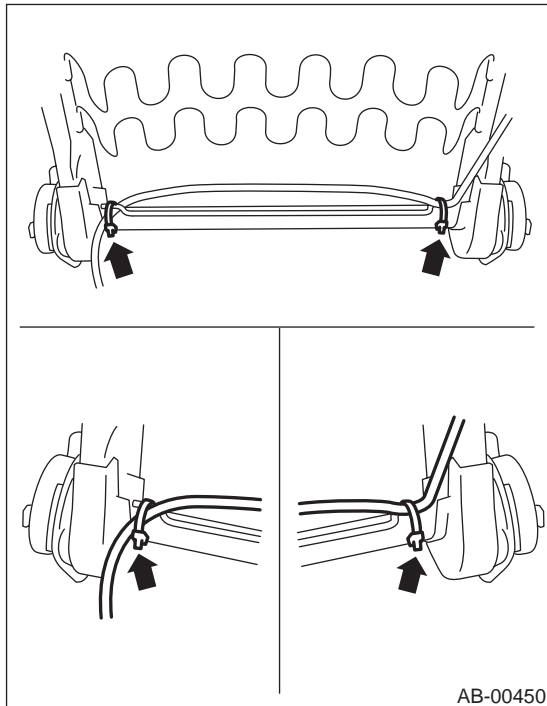
**6.0 N·m (0.61 kgf-m, 4.4 ft-lb)**



- 3) Install the side airbag harness to backrest frame assembly.

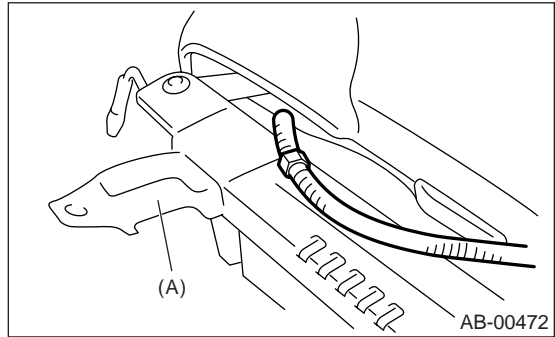
**NOTE:**

Secure the harness to its original position of seat.



- 4) Install the backrest cover. <Ref. to SE-12, ASSEMBLY, Front Seat.>

- 5) Install the side airbag harness to slide rail IN (A), and then secure the connector to the bracket on back side of seat cushion assembly.



- 6) Recline the seat or slide it backward and forward, and check there is no contact between the seat backrest assembly, cushion cover assembly and side airbag harness.

## C: INSPECTION

**CAUTION:**

Refer to “CAUTION” of General Description before handling the airbag module. <Ref. to AB-4, CAUTION, General Description.>

Perform the inspection of following items, and replace the damaged parts with new ones. <Ref. to AB-12, SIDE AIRBAG MODULE, INSPECTION, Inspection Locations After a Collision.>

- 1) With side collision (when side airbag is deployed)

- Side airbag module assembly
- Backrest pad assembly
- Backrest frame assembly
- Backrest cover assembly

- 2) Other replacement parts, which found to be damaged by visual check

- Headrest assembly
- Bushing
- Slide rail OUT
- Slide rail IN
- Seat hinge cover
- Seat lifter lever
- Reclining lever
- Side airbag harness and connector on body side.

- 3) With side collision (when side airbag is not deployed)

Check the seat and airbag module visually, and then replace them with new ones if damaged or cracked.

Specially inspect the damage of airbag module body, mounting bracket, and harness connector.

- 4) Without side collision (dirt and damage of cover)  
Replace the corresponding part with a new one.

## 7. Curtain Airbag Module

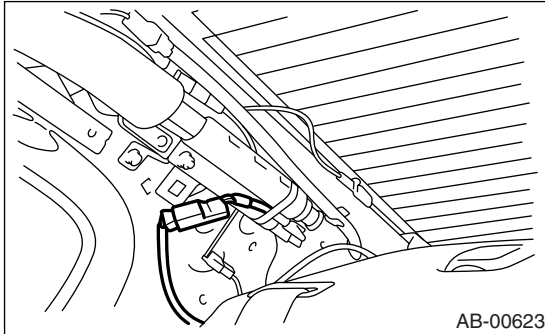
### A: REMOVAL

**CAUTION:**

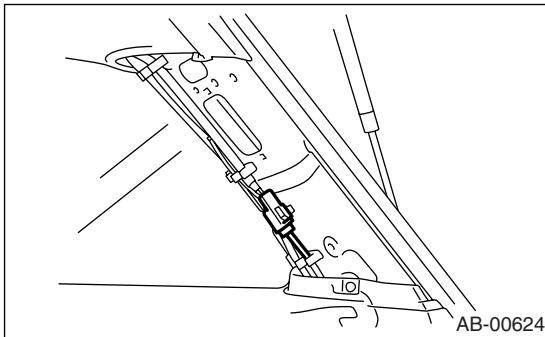
Refer to “CAUTION” of General Description before handling the airbag module. <Ref. to AB-4, CAUTION, General Description.>

- 1) Turn the ignition switch to OFF.
- 2) Disconnect the ground cable from battery and wait for at least 20 seconds before starting work.
- 3) Remove the rear quarter trim. (Sedan model) <Ref. to EI-63, SEDAN MODEL (MODEL WITH CURTAIN AIRBAG), REMOVAL, Rear Quarter Trim.>
- 4) Remove the quarter rear pillar trim. (Wagon model) <Ref. to EI-63, WAGON MODEL, REMOVAL, Rear Quarter Trim.>
- 5) Disconnect the curtain airbag module connector.

- Sedan model



- Wagon model

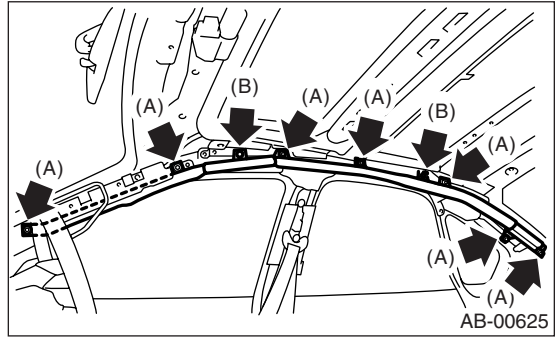


- 6) Remove the roof trim. <Ref. to EI-67, REMOVAL, Roof Trim.>
- 7) Remove the bolts (A) and clips (B), and then remove the curtain airbag module.

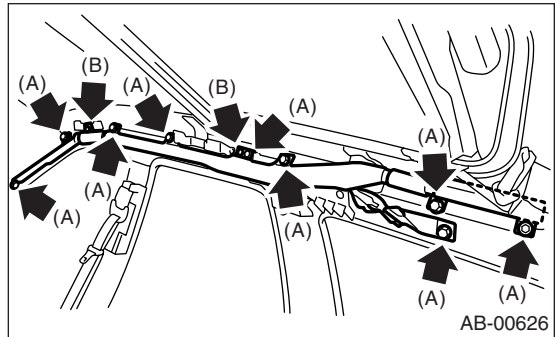
**CAUTION:**

- Be careful not to damage the curtain airbag module during removal.
- Never open the curtain airbag module before deploying it. Never reuse the opened curtain airbag module.

- Sedan model



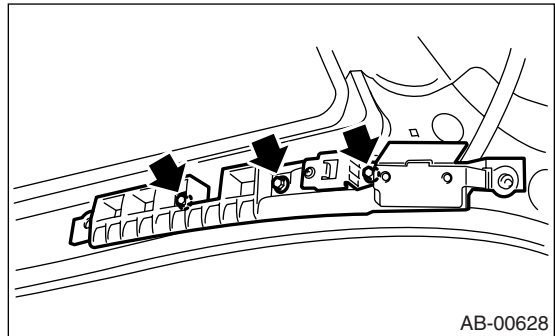
- Wagon model



**NOTE:**

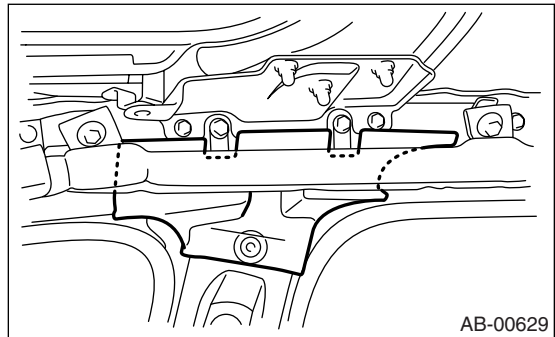
Remove the rear center seat belt retractor on the RH side before servicing.

- 8) Remove the airbag guide A from front pillar.

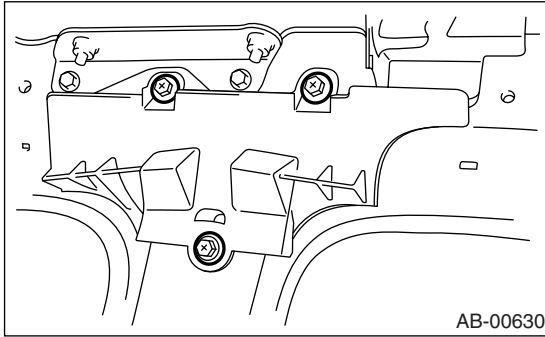


- 9) Remove the airbag guide B from center pillar.

- Sedan model

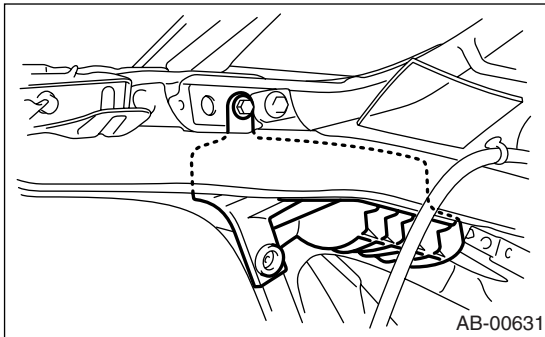


- Wagon model

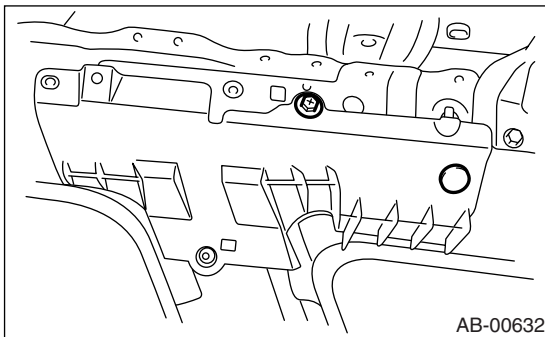


- 10) Remove the airbag guide C from quarter pillar.

- Sedan model



- Wagon model



## B: INSTALLATION

### CAUTION:

- Refer to “CAUTION” of General Description before handling the airbag module. <Ref. to AB-4, CAUTION, General Description.>
- When installing the curtain airbag module, install a specified part at specified place.
- Be careful not to damage the curtain airbag module during removal.
- Never open the curtain airbag module before deploying it. Never reuse the deployed curtain airbag module.
- Ensure that there are no foreign articles on airbag module.

Install in the reverse order of removal.

### Tightening torque:

Refer to “COMPONENT” of “General Description”. <Ref. to AB-2, CURTAIN AIRBAG MODULE, COMPONENT, General Description.>

## C: INSPECTION

### CAUTION:

Refer to “CAUTION” of General Description before handling the airbag module. <Ref. to AB-4, CAUTION, General Description.>

Perform the inspection of following items, and replace the damaged parts with new ones. <Ref. to AB-12, CURTAIN AIRBAG MODULE, INSPECTION, Inspection Locations After a Collision.>

1) With side collision (when curtain airbag is deployed)

- Curtain airbag module assembly
- Roof trim
- Front pillar upper trim
- Center pillar upper trim
- Rear quarter pillar trim
- Airbag guide A, B, C

2) Other replacement parts, which found to be damaged by visual check

- Assist grip
- Assist grip bracket
- Curtain airbag harness and connector on body side.

3) With side collision (when curtain airbag is not deployed)

Check the roof trim, pillar trim and airbag module visually, and then replace them with new ones if damaged or cracked.

Specially inspect the damage of airbag module body, mounting bracket, harness connector.

4) Without side collision (dirt and damage of cover)  
Replace the corresponding part with a new one.

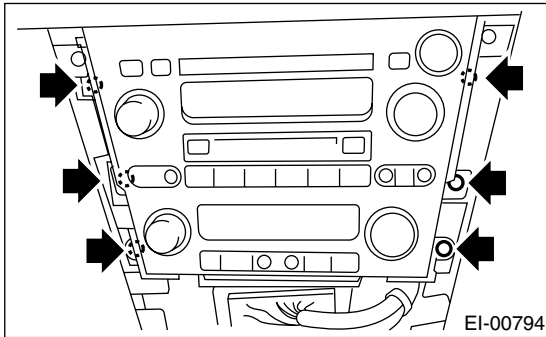
## 8. Airbag Control Module

### A: REMOVAL

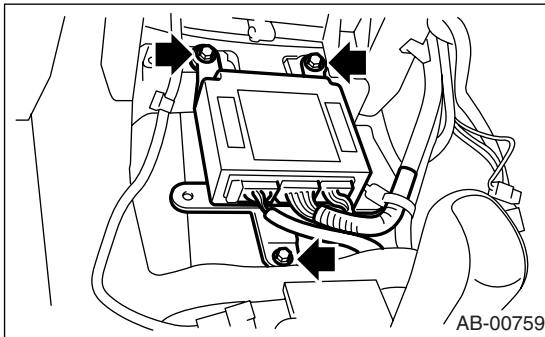
**CAUTION:**

- Do not disassemble the airbag control module.
- If the airbag control module is deformed or if water damage is suspected, replace the airbag control module with a new one.
- Do not drop the airbag control module.
- After removal, keep the airbag control module on a dry, clean surface away from moisture, heat and dust.

- 1) Turn the ignition switch to OFF.
- 2) Disconnect the ground cable from battery and wait for at least 20 seconds before starting work.
- 3) Remove the console front panel and console side garnish. <Ref. to EI-54, REMOVAL, Center Console.>
- 4) Remove the screws and pull out the audio unit assembly to disconnect the connector for removal.



- 5) Disconnect the connector from airbag control module.
- 6) Remove the bolts and remove airbag control module.



### B: INSTALLATION

**CAUTION:**

Use new hexagon head bolts (for airbag control module only) during installation.

Install in the reverse order of removal.

**Tightening torque:**

Refer to "COMPONENT" of "General Description". <Ref. to AB-2, AIRBAG CONTROL MODULE, COMPONENT, General Description.>

### C: INSPECTION

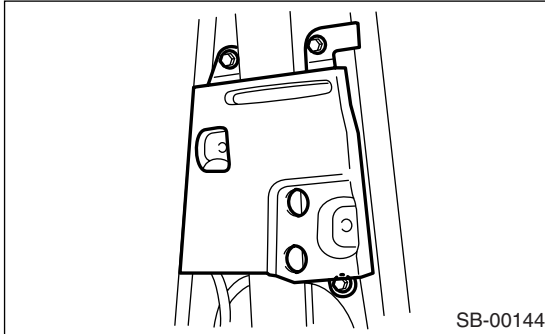
Check the following, and replace the damaged parts with new parts.

- Control module, connector, and mounting bracket are damaged.
- Airbag is deployed.
- Side airbag is deployed.
- Curtain airbag is deployed.

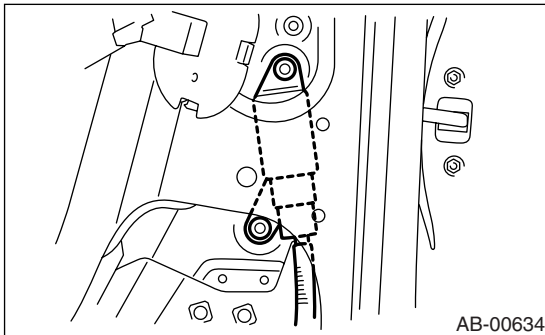
## 9. Side Airbag Sensor

### A: REMOVAL

- 1) Turn the ignition switch to OFF.
- 2) Disconnect the ground cable from battery and wait for at least 20 seconds before starting work.
- 3) Remove the center pillar lower trim. <Ref. to EI-60, REMOVAL, Lower Inner Trim.>
- 4) Remove the center pillar inner protector lower.



- 5) Remove the front outer seat belt retractor. <Ref. to SB-12, OUTER SEAT BELT ASSEMBLY, REMOVAL, Front Seat Belt.>
- 6) Remove the nut and disconnect the airbag connector to remove side airbag sensor.



### B: INSTALLATION

#### CAUTION:

Use new nuts (exclusive use for side airbag sensors) during installation.

Install in the reverse order of removal.

#### *Tightening torque:*

*Refer to "COMPONENT" of "General Description". <Ref. to AB-3, SIDE AIRBAG SENSOR, COMPONENT, General Description.>*

### C: INSPECTION

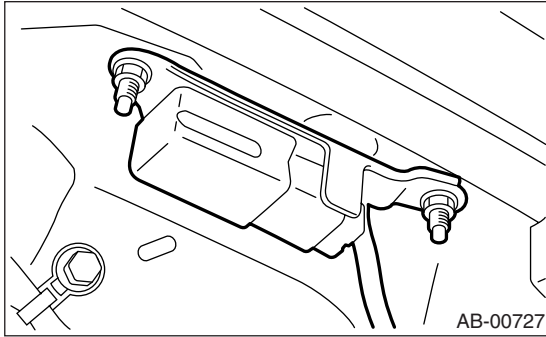
Check for the following, and replace the damaged parts with new parts.

- Mounting bracket of airbag sensor or connector is damaged.
- Side airbag is deployed.

## 10. Curtain Airbag Sensor

### A: REMOVAL

- 1) Turn the ignition switch to OFF.
- 2) Disconnect the ground cable from battery and wait for at least 20 seconds before starting work.
- 3) Remove the rear seat. <Ref. to SE-14, REMOVAL, Rear Seat.>
- 4) Detach the nuts and disconnect the airbag connector to remove the curtain airbag sensor.



### B: INSTALLATION

#### CAUTION:

Use new nuts (exclusive use for curtain airbag sensors) during installation.

Install in the reverse order of removal.

#### Tightening torque:

Refer to "COMPONENT" of "General Description". <Ref. to AB-3, CURTAIN AIRBAG SENSOR, COMPONENT, General Description.>

### C: INSPECTION

Check for the following, and replace the damaged parts with new parts.

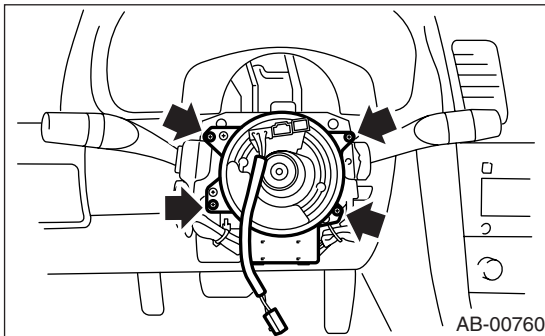
- Mounting bracket of curtain airbag sensor or connector is damaged.
- Curtain airbag is deployed.



## 11.Roll Connector

### A: REMOVAL

- 1) Turn the ignition switch to OFF.
- 2) Disconnect the ground cable from battery and wait for at least 20 seconds before starting work.
- 3) Remove the driver's airbag module. <Ref. to AB-14, REMOVAL, Driver's Airbag Module.>
- 4) Remove the steering wheel. <Ref. to PS-20, REMOVAL, Steering Wheel.>
- 5) Remove the steering column cover.
- 6) Remove the screws, and then remove the roll connector.



### B: INSTALLATION

- 1) Install in the reverse order of removal.
- 2) Before installing steering wheel, be sure to adjust the direction of roll connector with steering. <Ref. to AB-23, ADJUSTMENT, Roll Connector.>

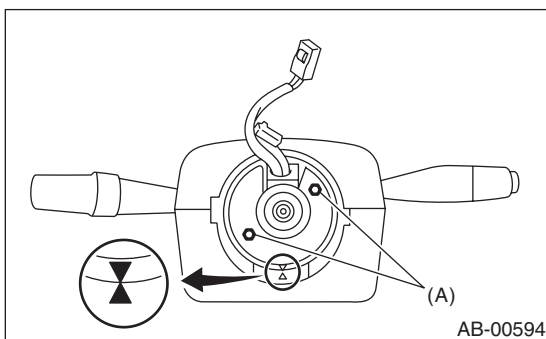
### C: INSPECTION

Check for the following, and replace the damaged parts with new parts.

- Combination switch and roll connector are cracked or deformed.

### D: ADJUSTMENT

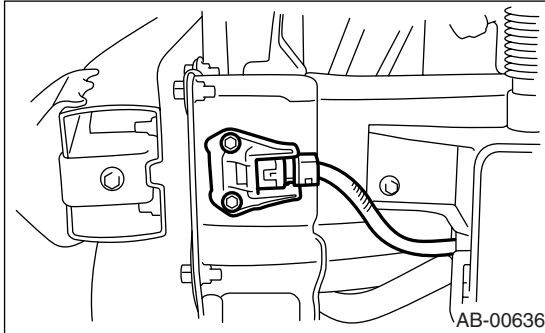
- 1) Check that front wheels are positioned in straight ahead direction.
- 2) Turn the roll connector pins (A) clockwise until it stops.
- 3) Turn the roll connector pins (A) approx. 3.25 turns until "▲" marks are aligned.



## 12. Front Sub Sensor

### A: REMOVAL

- 1) Turn the ignition switch to OFF.
- 2) Disconnect the ground cable from battery and wait for at least 20 seconds before starting work.
- 3) Remove the front bumper face. <Ref. to EI-30, FRONT BUMPER FACE, REMOVAL, Front Bumper.>
- 4) Remove the bolts, and then detach the front sub sensor.



- 5) Disconnect the connector from front sub sensor.

### B: INSTALLATION

Install in the reverse order of removal.

#### *Tightening torque:*

*Refer to "COMPONENT" of "General Description". <Ref. to AB-3, FRONT SUB SENSOR, COMPONENT, General Description.>*

### C: INSPECTION

Check for the following, and replace the damaged parts with new parts.

- Front sub sensor, mounting bracket and connector are damaged.
- Airbag is deployed.

## 13. Disposal of Airbag Module (Deployment Processing On Vehicle)

### A: PROCEDURE

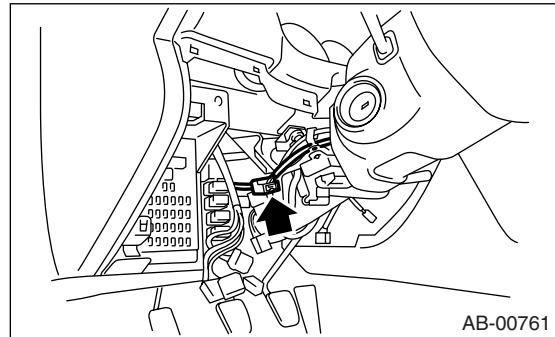
**CAUTION:**

- Do not discard an undeployed airbag modules because it may cause a serious personal injury when accidentally deployed.
- As a rule, airbag modules should be deployed while still installed in the vehicle. Do not remove airbag modules unless necessary.
- Deployment of airbag modules should be done on a flat place free from any possible danger. Avoid deploying outdoors during rainy or windy weather.
- Deploying an airbag module causes a high explosive noise, be sure to warn people in the area, and do not allow anyone within a 5 m (16 ft) radius of the disposal site.
- Some smoke will be emitted from deployment of the airbag module. Therefore, it must be deployed in a well-ventilated place with no smoke detector nearby.
- Wear protective gloves, safety goggles and earplugs during this operation. Wash your hands afterwards.
- After deployment, the airbag module will be especially hot, leave it unattended for 40 minutes, and then discard it.
- Do not let water get on the deployed airbag module.
- Wrap the deployed airbag module in an airtight vinyl bag, and discard it.
- If circumstances do not permit the airbag module deployment, contact the SUBARU dealer.

### 1. DRIVER'S AIRBAG MODULE

- 1) Turn the ignition switch to OFF.
- 2) Disconnect the ground cable from battery and wait for at least 20 seconds before starting work.
- 3) Remove the instrument panel lower cover upper. <Ref. to EI-50, REMOVAL, Instrument Panel Lower Cover.>

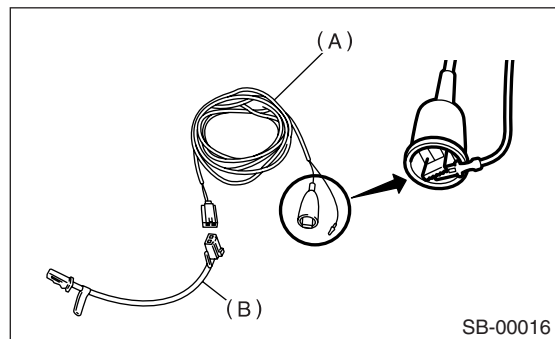
- 4) Disconnect the airbag connector.



- 5) Short the terminal to the alligator clip furnished as deployment tool (A).
- 6) Connect the deployment tool and deployment adapter E (B).

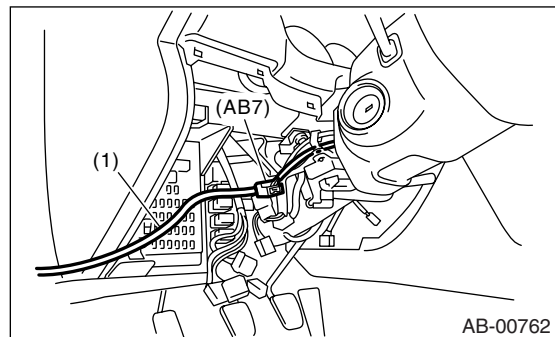
**CAUTION:**

The deployment tool should be kept shorted terminals until just before deployment of airbag module.



- (A) Deployment tool:  
(Tool number 98299PA030)
- (B) Deployment adapter E:  
(Tool number 98299SA030)

- 7) Connect the deployment adapter E (1) to airbag connector (AB7).

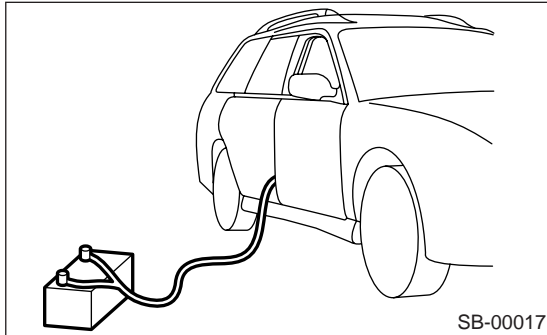


- (1) Deployment adapter E:  
(Tool number 98299SA030)

# Disposal of Airbag Module (Deployment Processing On Vehicle)

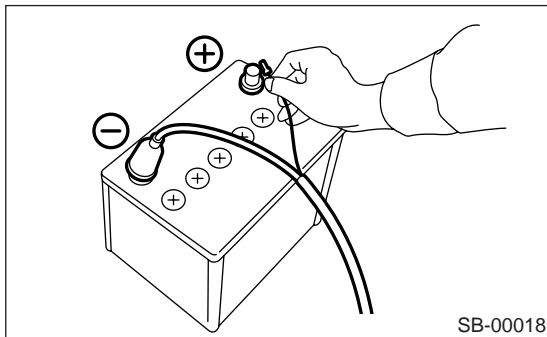
## AIRBAG SYSTEM

8) Extend the wiring of deployment tool to the limit, and make sure the vehicle is empty. Close all the windows, sunroof and rear gate completely.



9) Move the battery at least 5 m (16 ft) from vehicle, and secure the nearby area. Connect the deployment tool alligator clip to the battery negative (-) terminal.

10) Connect the other cable of deployment tool to the battery positive (+) terminal, and deploy the airbag module.

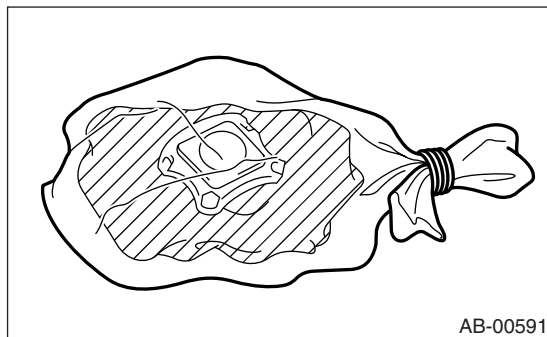


### CAUTION:

- After deployment, the airbag module will be especially hot, leave it unattended for 40 minutes, and then discard it.
- Do not let water get on the deployed airbag module.

11) Remove the airbag module. <Ref. to AB-14, Driver's Airbag Module.>

12) Wrap the deployed airbag module in airtight vinyl bag, and discard it.

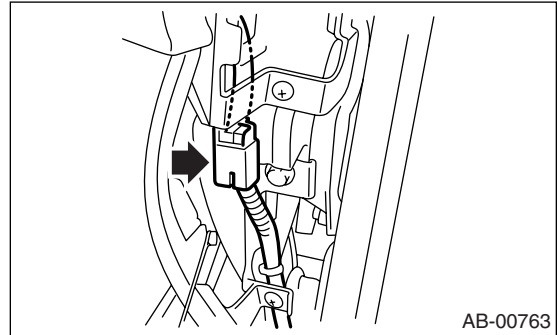


## 2. PASSENGER'S AIRBAG MODULE

1) Turn the ignition switch to OFF.

2) Disconnect the ground cable from battery and wait for at least 20 seconds before starting work.

3) Remove the instrument panel side cover of passenger's side and disconnect the airbag connector.

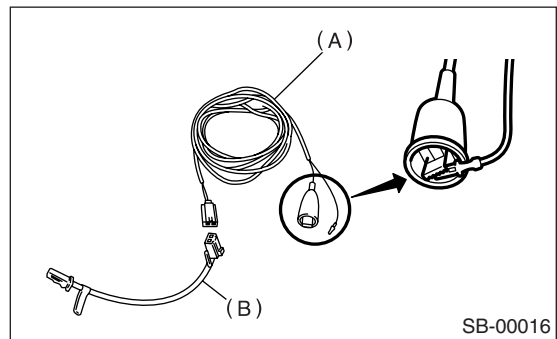


4) Short the terminal to the alligator clip furnished as deployment tool (A).

5) Connect the deployment tool (A) and deployment adapter E (B).

### CAUTION:

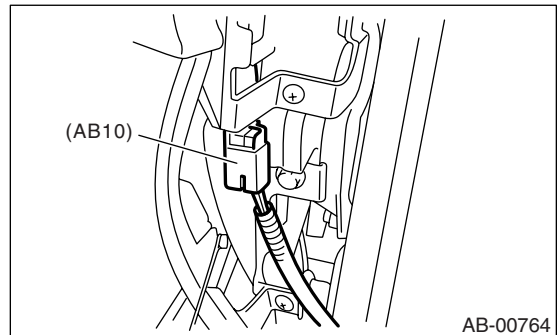
The deployment tool should be kept shorted terminals until just before deployment of airbag module.



(A) Deployment tool:  
(Tool number 98299PA030)

(B) Deployment adapter E:  
(Tool number 98299SA030)

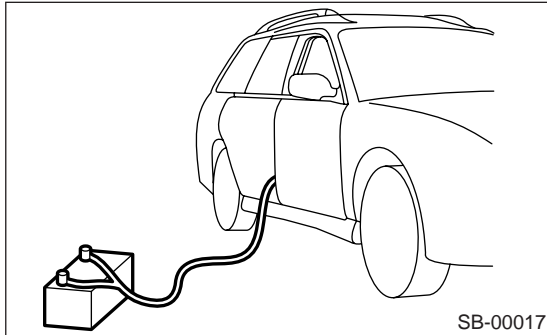
6) Connect the deployment adapter E to airbag connector (AB10).



# Disposal of Airbag Module (Deployment Processing On Vehicle)

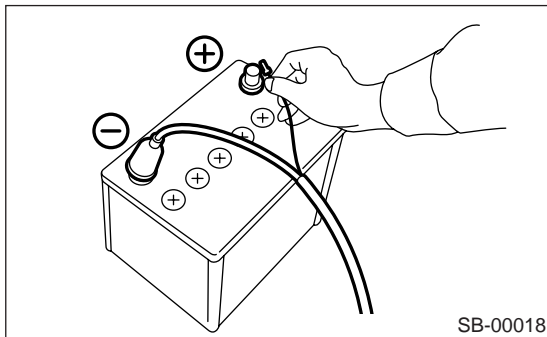
AIRBAG SYSTEM

7) Extend the wiring of deployment tool to the limit, and make sure the vehicle is empty. Close all the windows, sunroof and rear gate completely.



8) Move the battery at least 5 m (16 ft) from vehicle, and secure the nearby area. Connect the deployment tool alligator clip to the battery negative (-) terminal.

9) Connect the other cable of deployment tool to the battery positive (+) terminal, and deploy the airbag module.



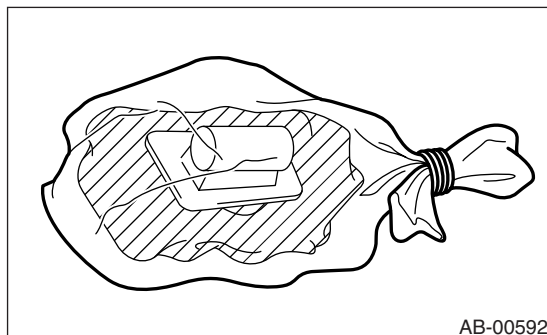
### CAUTION:

- After deployment, the airbag module will be especially hot, leave it unattended for 40 minutes, and then discard it.
- Do not let water get on the deployed airbag module.

10) Remove the instrument panel upper. <Ref. to EI-56, REMOVAL, Instrument Panel Assembly.>

11) Remove the passenger airbag module from instrument panel upper.

12) Wrap the airbag module, which were removed from instrument panel upper, in airtight vinyl bag, and discard it.



## 3. SIDE AIRBAG MODULE

- 1) Turn the ignition switch to OFF.
- 2) Disconnect the ground cable from battery and wait for at least 20 seconds before starting work.
- 3) Disconnect the side airbag module connector (yellow) under the front seat cushion.

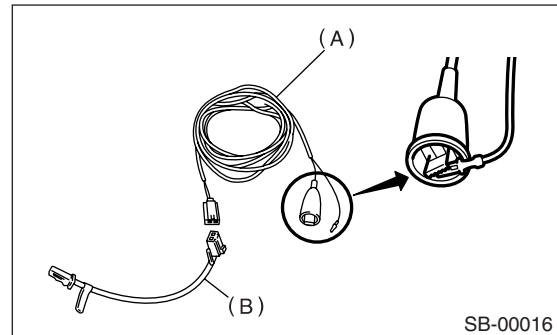
### NOTE:

For power seat type, seat need to be removed. When deploying in vehicle, reinstall the seat after disconnecting the airbag connector. When deploying after removal from vehicle, refer to "Disposal of Airbag Module (Deploying After Removal from Vehicle)". <Ref. to AB-33, SIDE AIRBAG MODULE, PROCEDURE, Disposal of Airbag Module (Deployment Processing After Removal from Vehicle).>

- 4) Set the backrest at most standing position, and then set the seat position at the center of slide rail.
- 5) Short the terminal to the alligator clip furnished as deployment tool (A).
- 6) Connect the deployment tool and deployment adapter A (B).

### CAUTION:

The deployment tool should be kept shorted terminals until just before deployment of airbag module.



- (A) Deployment tool:  
(Tool number 98299PA030)
- (B) Deployment adapter A:  
(Tool number 98299FC030)

7) Connect the deployment adapter A (1) to the side airbag module connector (yellow).

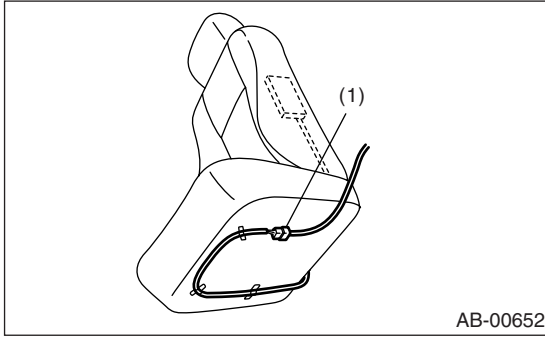
### CAUTION:

- Do not place any object on front seat.

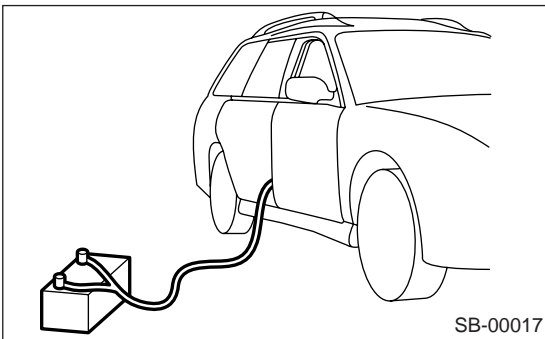
# Disposal of Airbag Module (Deployment Processing On Vehicle)

## AIRBAG SYSTEM

- Deploy the side airbag one by one to discard.

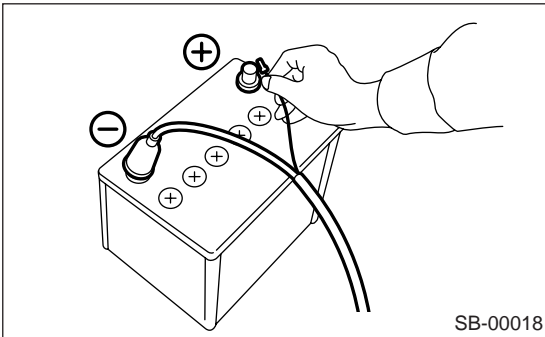


8) Extend the wiring of deployment tool to the limit, and make sure the vehicle is empty. Close all the windows, sunroof and rear gate completely.



9) Move the battery at least 5 m (16 ft) from vehicle, and secure the nearby area. Connect the deployment tool alligator clip to the battery negative (-) terminal.

10) Connect the other cable of deployment tool to the battery positive (+) terminal, and deploy the airbag module.

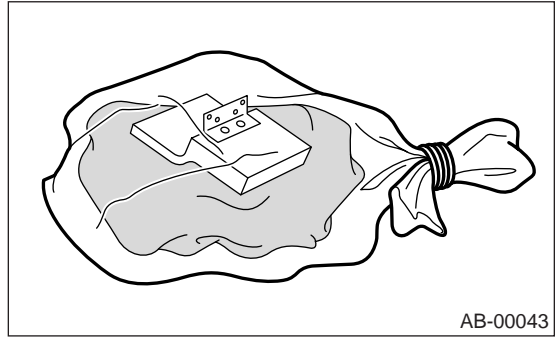


### CAUTION:

- After deployment, the airbag module will be especially hot, leave it unattended for 40 minutes, and then discard it.
- Do not let water get on the deployed airbag module.

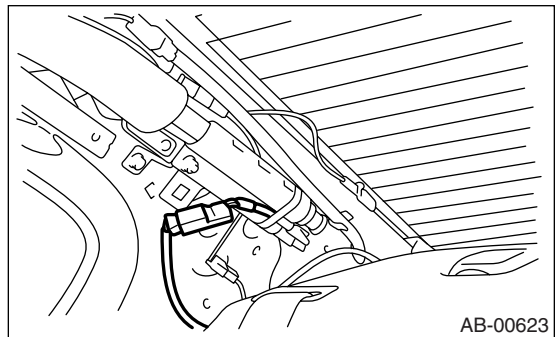
11) Remove the side airbag module. <Ref. to AB-16, REMOVAL, Side Airbag Module.>

12) Wrap the deployed airbag module in airtight vinyl bag, and discard it.

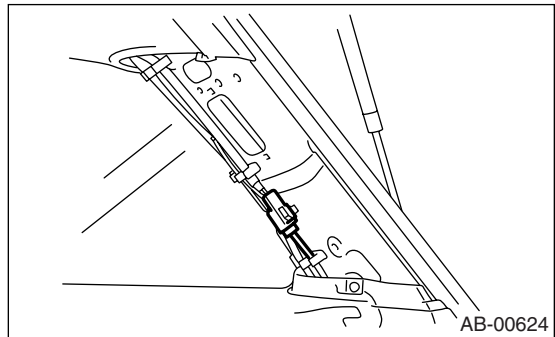


## 4. CURTAIN AIRBAG MODULE

- 1) Turn the ignition switch to OFF.
- 2) Disconnect the ground cable from battery and wait for at least 20 seconds before starting work.
- 3) Remove the rear quarter trim. <Ref. to EI-63, REMOVAL, Rear Quarter Trim.>
- 4) Disconnect the curtain airbag harness.
  - Sedan model



- Wagon model

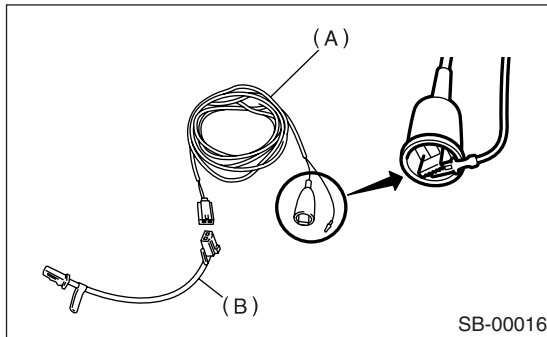


- 5) Short the terminal to the alligator clip furnished as deployment tool (A).
- 6) Connect the deployment tool and deployment adapter A (B).

# Disposal of Airbag Module (Deployment Processing On Vehicle)

AIRBAG SYSTEM

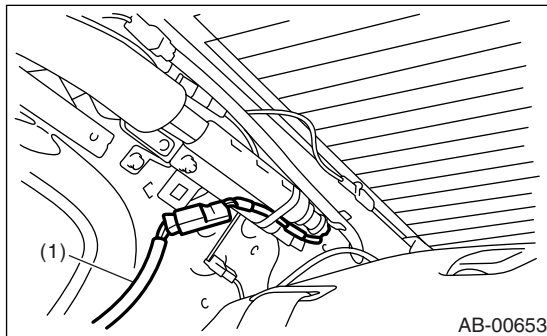
**CAUTION:**  
The deployment tool should be kept shorted terminals until just before deployment of airbag module.



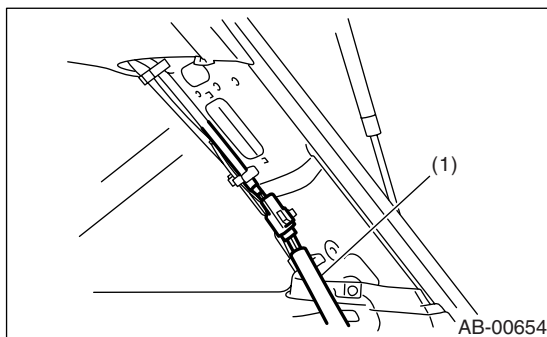
- (A) Deployment tool:  
(Tool number 98299PA030)
- (B) Deployment adapter A:  
(Tool number 98299FC030)

7) Connect the deployment adapter A (1) to the curtain airbag module connector (yellow).

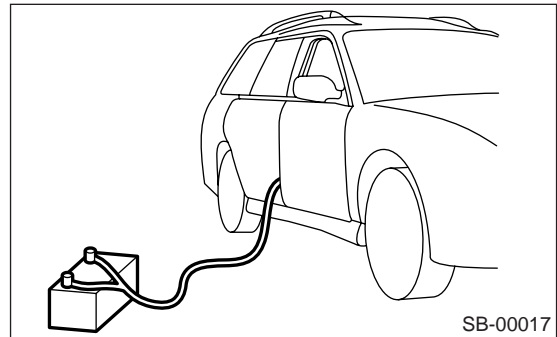
- Sedan model



- Wagon model

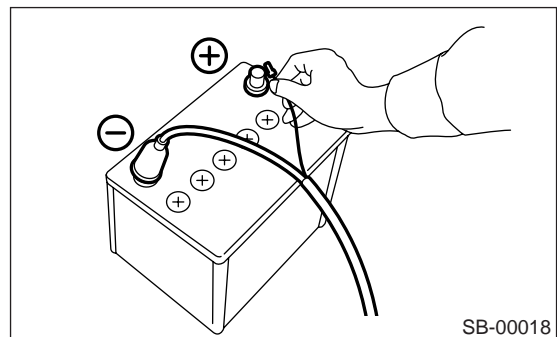


8) Extend the wiring of deployment tool to the limit, and make sure the vehicle is empty. Close all the windows, sunroof and rear gate completely.



9) Move the battery at least 5 m (16 ft) from vehicle, and secure the nearby area. Connect the deployment tool alligator clip to the battery negative (-) terminal.

10) Connect the other cable of deployment tool to the battery positive (+) terminal, and deploy the airbag module.

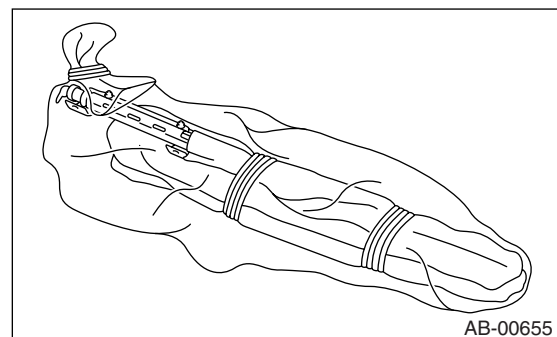


**CAUTION:**

- After deployment, the airbag module will be especially hot, leave it unattended for 40 minutes, and then discard it.
- Do not let water get on the deployed airbag module.

11) Remove the curtain airbag module. <Ref. to AB-18, REMOVAL, Curtain Airbag Module.>

12) Wrap the deployed airbag module in airtight vinyl bag, and discard it.



**NOTE:**

Fold the airbag cloth three or four times as required and fasten it with string and seal it with vinyl bag.

# Disposal of Airbag Module (Deployment Processing After Removal from Vehicle)

AIRBAG SYSTEM

## 14. Disposal of Airbag Module (Deployment Processing After Removal from Vehicle)

### A: PROCEDURE

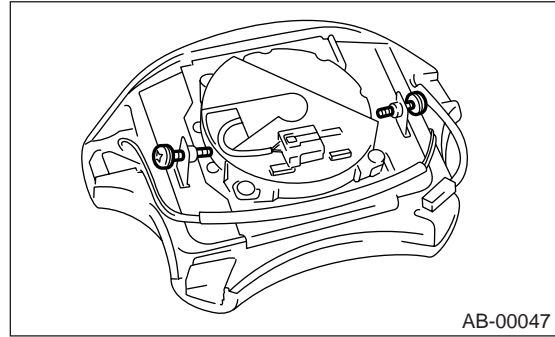
#### CAUTION:

- Do not discard an undeployed airbag module because it may cause serious personal injury when accidentally deployed.
- As a rule, airbag modules should be deployed while still installed in the vehicle. Do not remove the airbag modules unless necessary.
- Deployment of airbag modules should be done on a flat place free from any possible danger. Avoid deploying outdoors during rainy or windy weather.
- Do not damage the airbag module or drop it.
- Deploying an airbag module causes a high explosive noise, be sure to warn people in the area, and do not allow anyone within a 5 m (16 ft) radius of the disposal site.
- Some smoke will be emitted from deployment of the airbag module. Therefore, it must be deployed in a well ventilated place with no smoke detector nearby.
- Wear protective gloves, safety goggles and earplugs during this operation. Wash your hands afterwards.
- After deployment, the airbag module will be especially hot, leave it unattended for 40 minutes, and then discard it.
- Do not let water get on the deployed airbag module.
- Wrap the deployed airbag module in an airtight vinyl bag, and discard it.
- If circumstances do not permit the airbag module deployment, contact the SUBARU dealer.

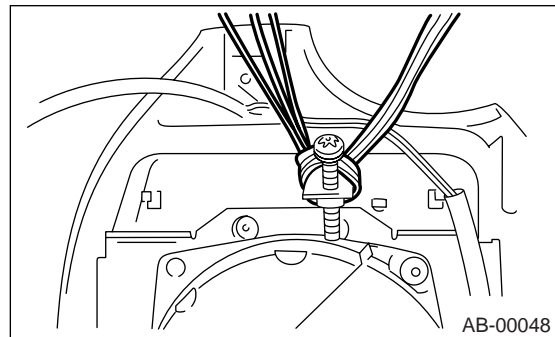
### 1. DRIVER'S AIRBAG MODULE

- 1) Turn the ignition switch to OFF.
- 2) Disconnect the ground cable from battery and wait for at least 20 seconds before starting work.
- 3) Remove the driver's airbag module. <Ref. to AB-14, Driver's Airbag Module.>

- 4) Install the removed bolts to airbag module.



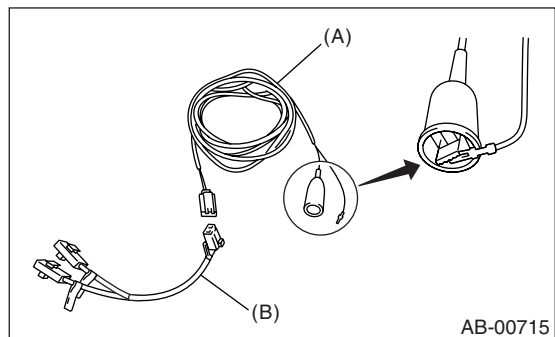
- 5) Bundle three automotive wire harnesses [each with a sectional area of 1.25 mm<sup>2</sup> (0.00194 sq in) or more], and bind them twofold around airbag module stay.



- 6) Short the terminal to the alligator clip furnished as deployment tool (A).
- 7) Connect the deployment tool and deployment adapter X (B).

#### CAUTION:

The deployment tool should be kept shorted terminals until just before deployment of airbag module.

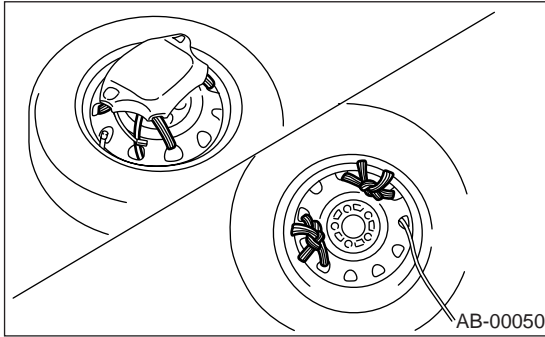


- (A) Deployment tool:  
(Tool number 98299PA030)
- (B) Deployment adapter X:  
(Tool number 98299AG030)

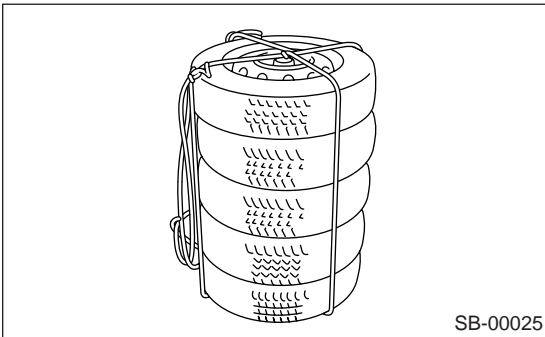
- 8) Connect the deployment adapter X connector to airbag module.



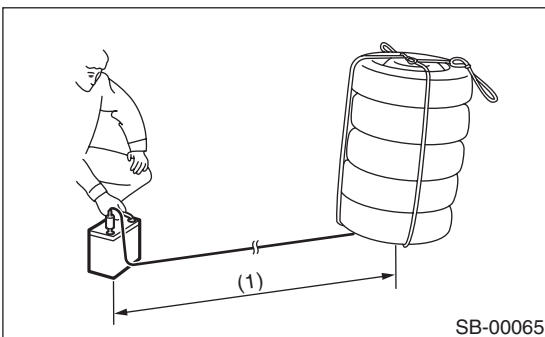
9) Install the airbag module with pad side facing upward on a wheel with tire.



10) Put three tires without wheels on the tire installed with the airbag module. Put on an additional tire with a wheel, and then fasten them tight with a rope.

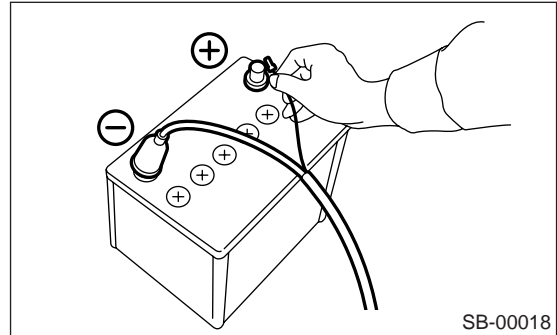


11) Move the battery at least 5 m (16 ft) from tires, and secure the nearby area. Connect the deployment tool alligator clip to the battery negative (-) terminal.



(1) 5 m (16 ft) or more

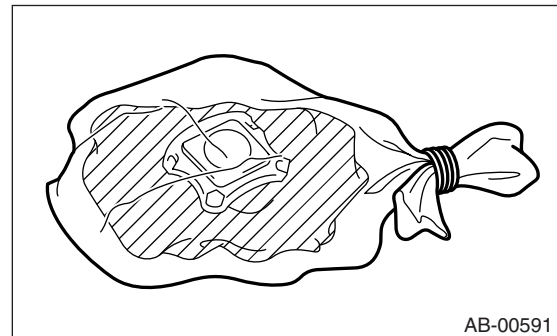
12) Connect the other cable of deployment tool to the battery positive (+) terminal, and deploy the airbag module.



### CAUTION:

- After deployment, the airbag module will be especially hot, leave it unattended for 40 minutes, and then discard it.
- Do not let water get on the deployed airbag module.

13) Wrap the deployed airbag module in airtight vinyl bag, and discard it.



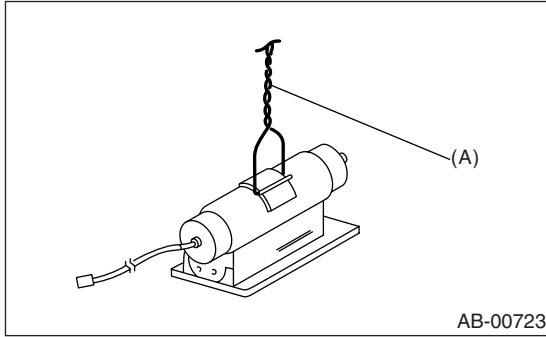
## 2. PASSENGER'S AIRBAG MODULE

- 1) Turn the ignition switch to OFF.
- 2) Disconnect the ground cable from battery and wait for at least 20 seconds before starting work.
- 3) Remove the instrument panel assembly. <Ref. to EI-56, REMOVAL, Instrument Panel Assembly.>
- 4) Remove the passenger airbag module. <Ref. to AB-15, Passenger's Airbag Module.>

# Disposal of Airbag Module (Deployment Processing After Removal from Vehicle)

## AIRBAG SYSTEM

5) Bundle three automotive wire harnesses [each with a sectional area of  $1.25 \text{ mm}^2$  (0.00194 sq in) or more], route them through airbag module bracket (A). Then, twist them to add strength.

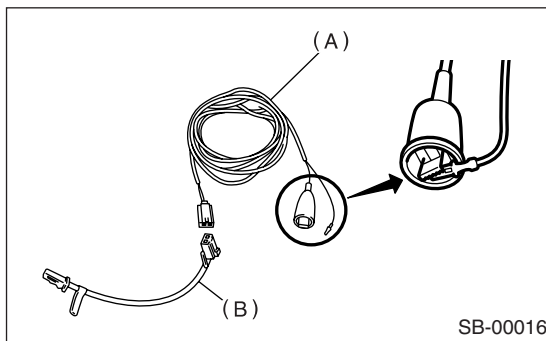


6) Short the terminal to the alligator clip furnished as deployment tool (A).

7) Connect the deployment tool and deployment adapter E (B).

### CAUTION:

The deployment tool should be kept shorted terminals until just before deployment of airbag module.

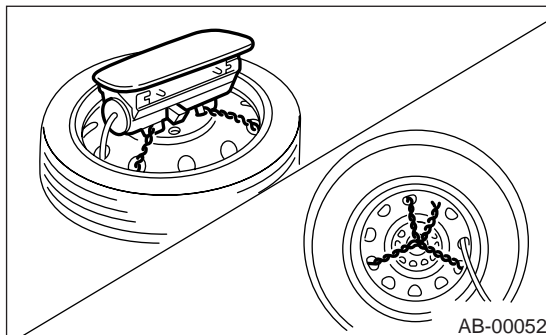


(A) Deployment tool:  
(Tool number 98299PA030)

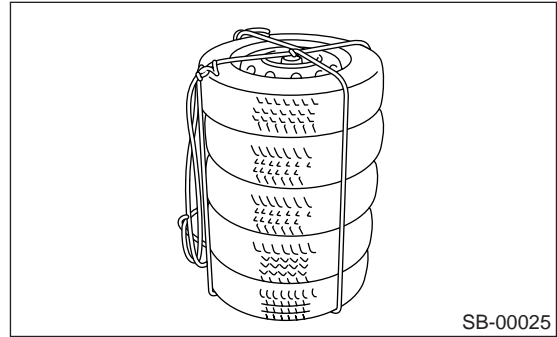
(B) Deployment adapter E:  
(Tool number 98299SA030)

8) Connect the deployment adapter E connector to the airbag module.

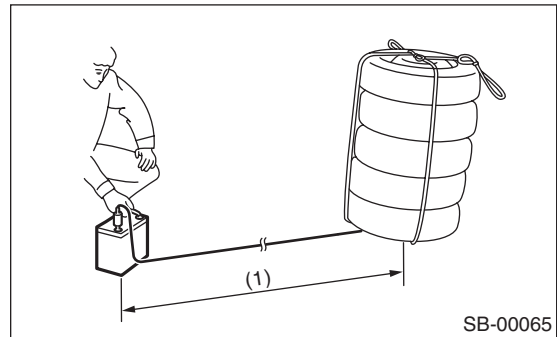
9) Install the airbag module with opening side facing upward on a 14-inch or greater size wheel with tire.



10) Put three tires without wheels on the tire installed with the airbag module. Put on an additional tire with a wheel on top, and then fasten them tight with a rope.

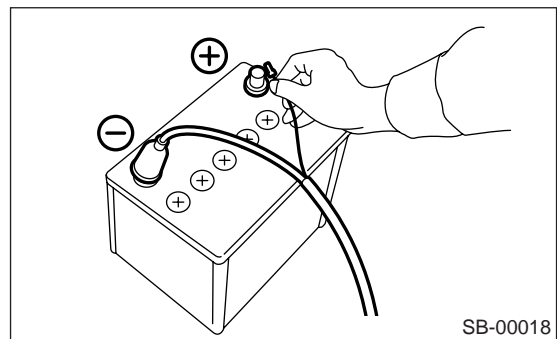


11) Move the battery at least 5 m (16 ft) from tires, and secure the nearby area. Connect the deployment tool alligator clip to the battery negative (-) terminal.



(1) 5 m (16 ft) or more

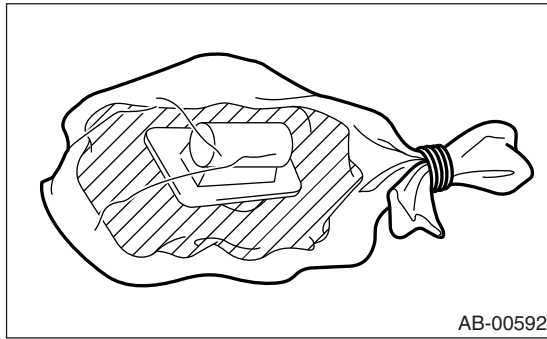
12) Connect the other cable of deployment tool to the battery positive (+) terminal, and deploy the airbag module.



### CAUTION:

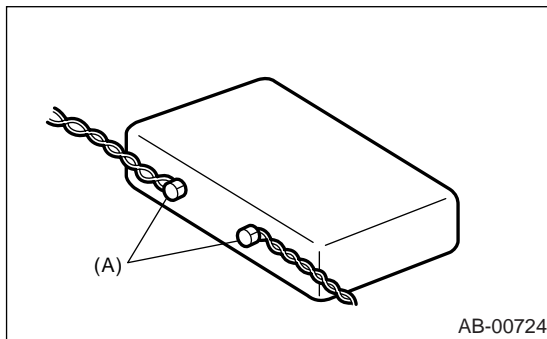
- After deployment, the airbag module will be especially hot, leave it unattended for 40 minutes, and then discard it.
- Do not let water get on the deployed airbag module.

13) Wrap the deployed airbag module in airtight vinyl bag, and discard it.



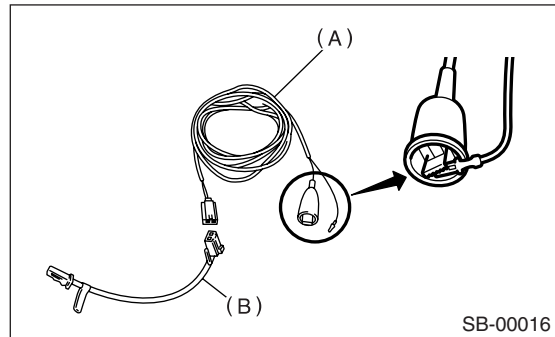
### 3. SIDE AIRBAG MODULE

- 1) Turn the ignition switch to OFF.
- 2) Disconnect the ground cable from battery and wait for at least 20 seconds before starting work.
- 3) Remove the front seats. <Ref. to SE-7, REMOVAL, Front Seat.>
- 4) Remove the side airbag module. <Ref. to AB-16, REMOVAL, Side Airbag Module.>
- 5) Install the nuts (A) to airbag module, and then bind them with bundled three automotive wire harnesses [each with a sectional area of 1.25 mm<sup>2</sup> (0.00194 sq in) or more].



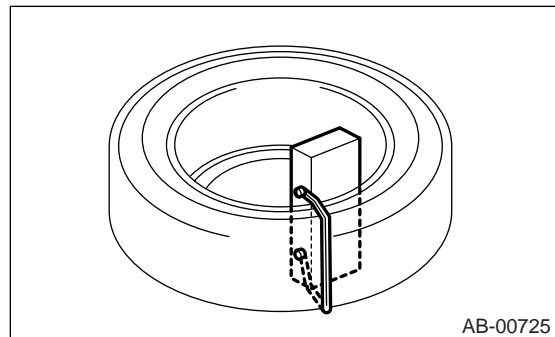
- 6) Short the terminal to the alligator clip furnished as deployment tool (A).
- 7) Connect the deployment tool and deployment adapter A (B).

**CAUTION:**  
The deployment tool should be kept shorted terminals until just before deployment of airbag module.

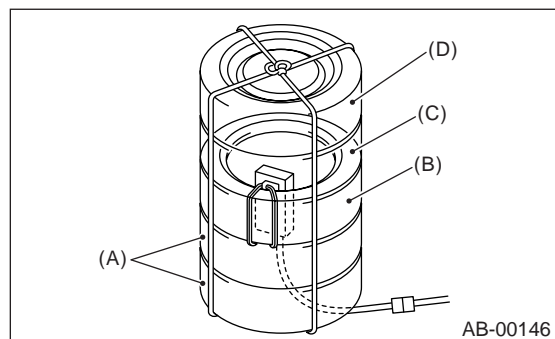


- (A) Deployment tool:  
(Tool number 98299PA030)
- (B) Deployment adapter A:  
(Tool number 98299FC030)

- 8) Connect the deployment adapter A connector to airbag module.
- 9) Install the airbag module on a 14-inch or greater size tire without wheel.



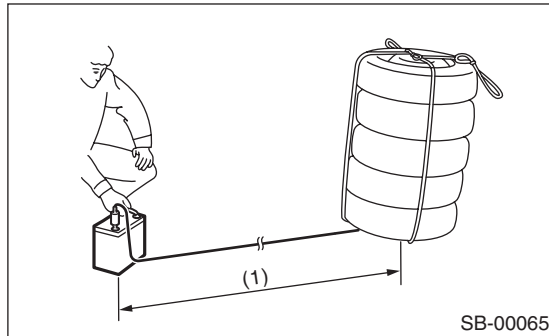
- 10) Put two tires without wheels (A) under the tire installed with the side airbag module (B). Put on an additional tire without a wheel (C), and then put a tire with a wheel (D) on top. Fasten them tight with a rope.



# Disposal of Airbag Module (Deployment Processing After Removal from Vehicle)

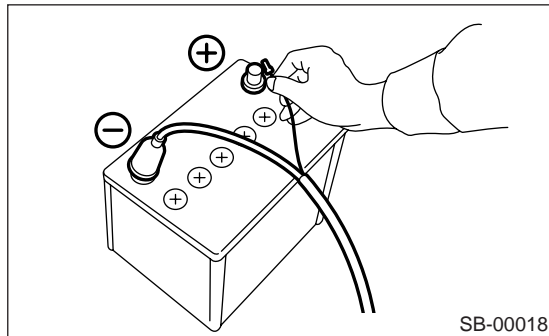
## AIRBAG SYSTEM

11) Move the battery at least 5 m (16 ft) from tires, and secure the nearby area. Connect the deployment tool alligator clip to the battery negative (-) terminal.



(1) 5 m (16 ft) or more

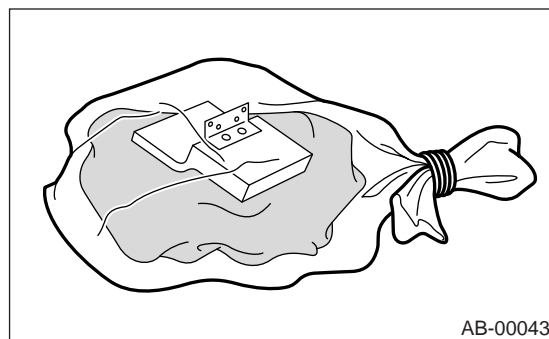
12) Connect the other cable of deployment tool to the battery positive (+) terminal, and deploy the airbag module.



### CAUTION:

- After deployment, the airbag module will be especially hot, leave it unattended for 40 minutes, and discard it.
- Do not let water get on the deployed airbag module.

13) Wrap the deployed airbag module in airtight vinyl bag, and discard it.



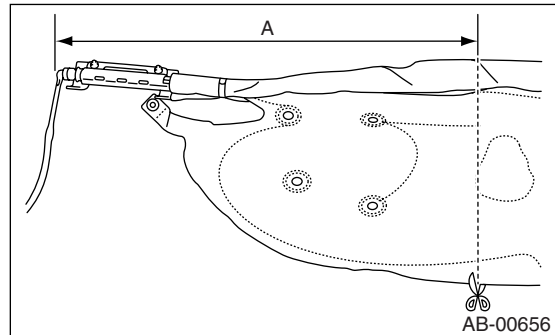
## 4. CURTAIN AIRBAG MODULE

1) Turn the ignition switch to OFF.  
2) Disconnect the ground cable from battery and wait for at least 20 seconds before starting work.

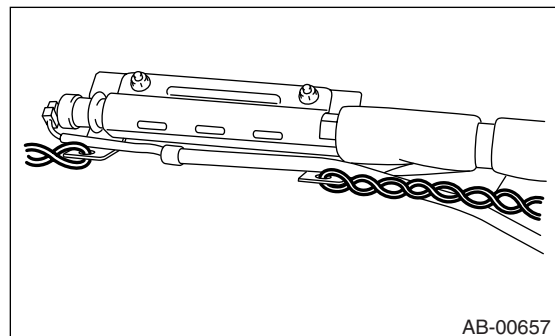
3) Remove the roof trim. <Ref. to EI-67, REMOVAL, Roof Trim.>

4) Remove the curtain airbag module. <Ref. to AB-18, REMOVAL, Curtain Airbag Module.>

5) Extend the airbag cloth and cut off the airbag at the position of 750 mm (29.5 in) (A) from inflator end.



6) Bundle three automotive wire harnesses [each with a sectional area of 1.25 mm<sup>2</sup> (0.00194 sq in) or more], and then bind them through the holes in airbag module bracket.



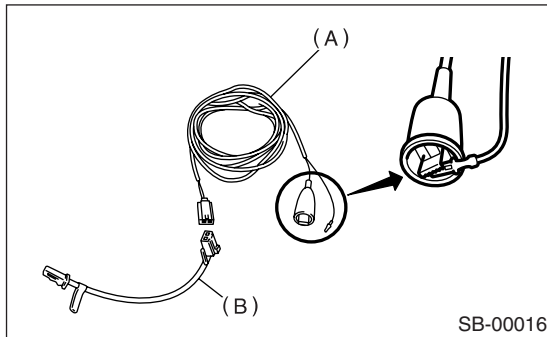
7) Short the terminal to the alligator clip furnished as deployment tool (A).

8) Connect the deployment tool and deployment adapter A (B).

# Disposal of Airbag Module (Deployment Processing After Removal from Vehicle)

AIRBAG SYSTEM

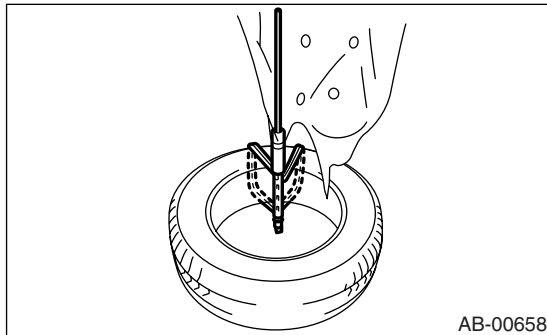
**CAUTION:**  
The deployment tool should be kept shorted terminals until just before deployment of airbag module.



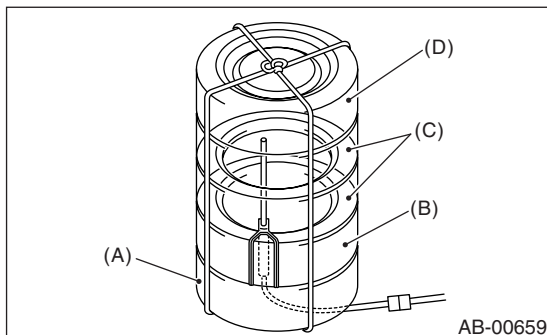
- (A) Deployment tool:  
(Tool number 98299PA030)
- (B) Deployment adapter A:  
(Tool number 98299FC030)

9) Connect the deployment adapter A connector to airbag module.

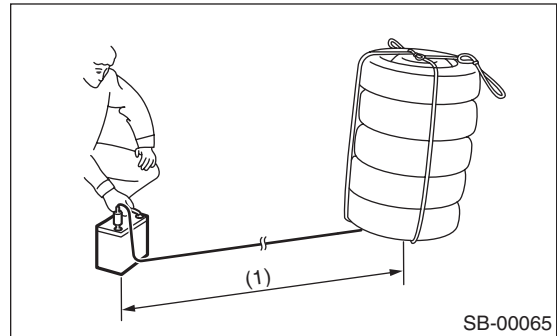
10) Install the airbag module on a 14-inch or greater size tire without wheel.



11) Put a tire without a wheel (A) under the tire installed with the curtain airbag module (B). Put on two additional tires without wheels (C), and then put a tire with a wheel (D) on top. Fasten them tight with a rope.

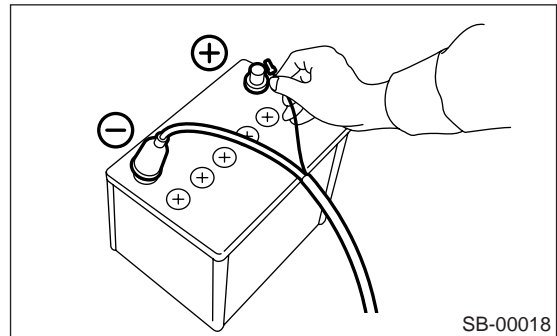


12) Move the battery at least 5 m (16 ft) from tires, and secure the nearby area. Connect the deployment tool alligator clip to the battery negative (-) terminal.



(1) 5 m (16 ft) or more

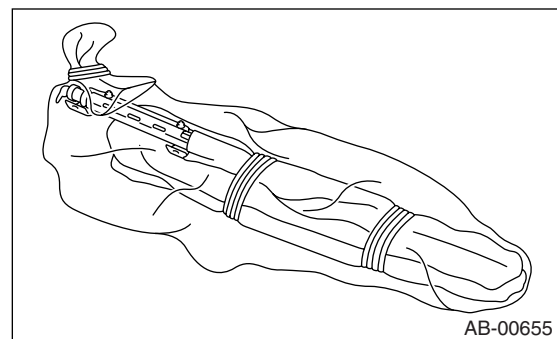
13) Connect the other cable of deployment tool to the battery positive (+) terminal, and deploy the airbag module.



**CAUTION:**

- After deployment, the airbag module will be especially hot, leave it unattended for 40 minutes, and discard it.
- Do not let water get on the deployed airbag module.

14) Wrap the deployed airbag module in airtight vinyl bag, and discard it.



# Disposal of Airbag Module (Deployment Processing After Removal from Vehicle)

AIRBAG SYSTEM

---