

BODY SECTION

This service manual has been prepared to provide SUBARU service personnel with the necessary information and data for the correct maintenance and repair of SUBARU vehicles.

This manual includes the procedures for maintenance, disassembling, reassembling, inspection and adjustment of components and diagnostics for guidance of experienced mechanics.

Please peruse and utilize this manual fully to ensure complete repair work for satisfying our customers by keeping their vehicle in optimum condition. When replacement of parts during repair work is needed, be sure to use SUBARU genuine parts.

All information, illustration and specifications contained in this manual are based on the latest product information available at the time of publication approval.

HVAC SYSTEM (HEATER, VENTILATOR AND A/C)	AC
HVAC SYSTEM (AUTO A/C) (DIAGNOSTICS)	AC(diag)
AIRBAG SYSTEM	AB
AIRBAG SYSTEM (DIAGNOSTICS)	AB(diag)
SEAT BELT SYSTEM	SB
LIGHTING SYSTEM	LI
WIPER AND WASHER SYSTEMS	WW
ENTERTAINMENT	ET
COMMUNICATION SYSTEM	COM
GLASS/WINDOWS/MIRRORS	GW
BODY STRUCTURE	BS
INSTRUMENTATION/DRIVER INFO	IDI
SEATS	SE
SECURITY AND LOCKS	SL
SUNROOF/T-TOP/CONVERTIBLE TOP (SUNROOF)	SR
EXTERIOR/INTERIOR TRIM	EI
EXTERIOR BODY PANELS	EB

BODY SECTION

CRUISE CONTROL SYSTEM CC

CRUISE CONTROL SYSTEM (DIAGNOSTICS) CC(diag)

IMMOBILIZER (DIAGNOSTICS) IM(diag)

LAN SYSTEM (DIAGNOSTICS) LAN(diag)

EXTERIOR BODY PANELS

EB

	Page
1. General Description	2
2. Front Hood	13
3. Front Fender Panel	16
4. Front Door	17
5. Front Sealing Cover	20
6. Rear Door.....	21
7. Rear Sealing Cover	24
8. Trunk Lid	25
9. Rear Gate.....	27

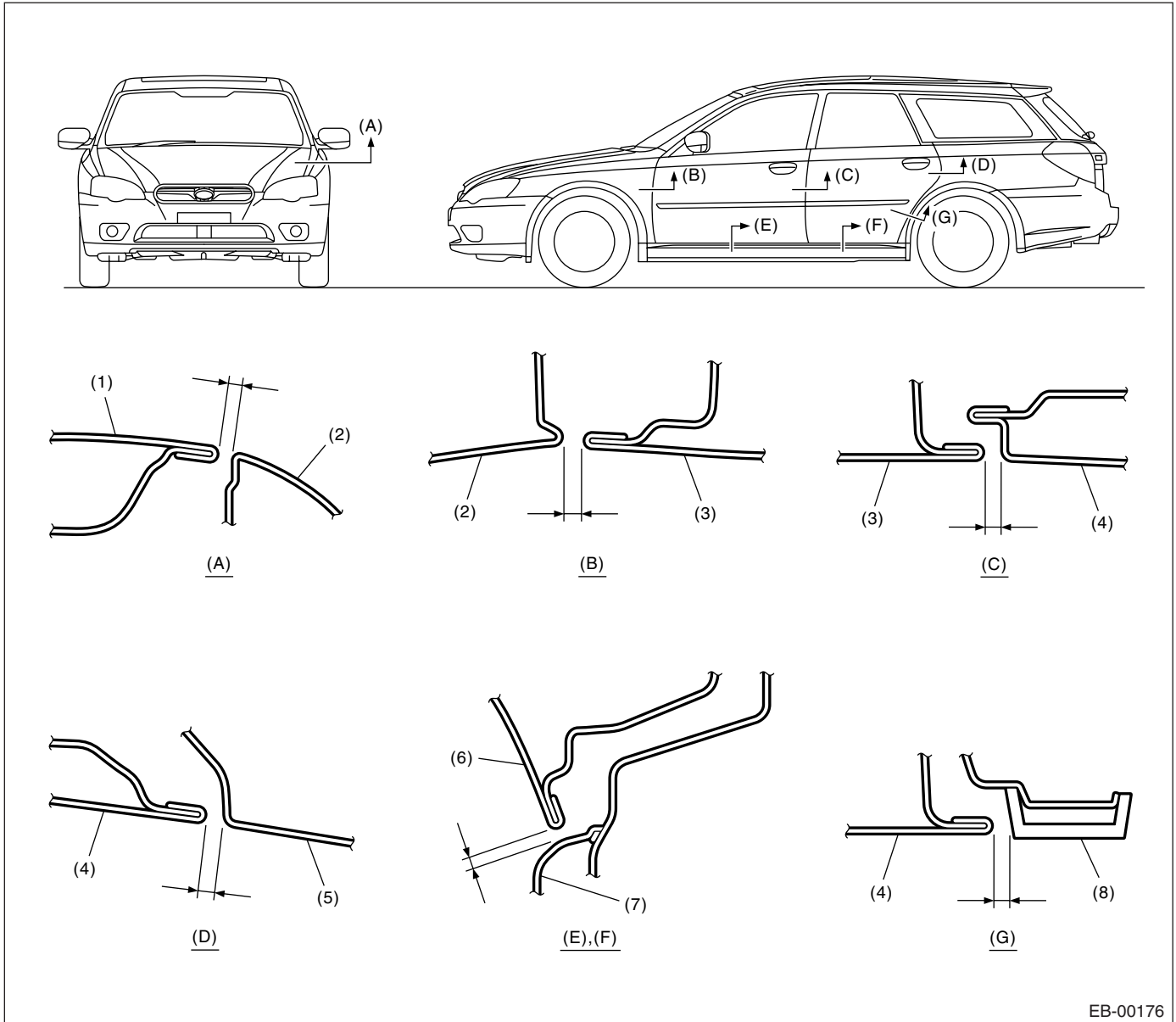
General Description

EXTERIOR BODY PANELS

1. General Description

A: SPECIFICATION

1. SIDE

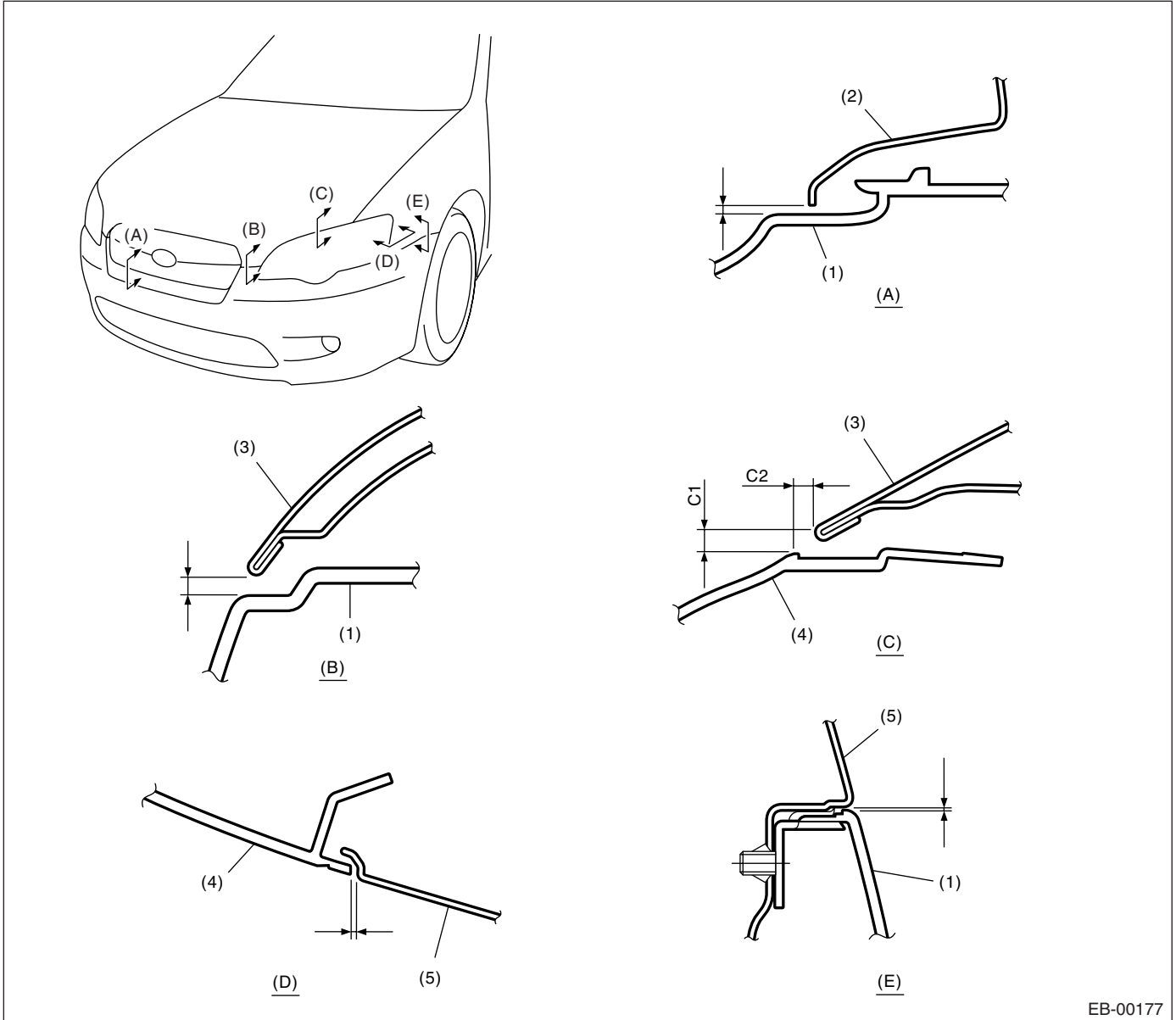


EB-00176

- | | | |
|------------------------|------------------------|----------------------------------|
| (1) Front hood panel | (4) Rear door panel | (7) Side sill |
| (2) Front fender panel | (5) Rear quarter panel | (8) Rear quarter lower protector |
| (3) Front door panel | (6) Door panel | |

Section	Part	Standard value
(A)	Front hood panel to Front fender panel	3.5±1.0 mm (0.14±0.04 in)
(B)	Front fender panel to Front door panel	4.65±1.0 mm (0.18±0.04 in)
(C)	Front door panel to Rear door panel	5.1±1.0 mm (0.20±0.04 in)
(D)	Rear door panel to Rear quarter panel	4.6±1.0 mm (0.18±0.04 in)
(E), (F)	Door panel to Side sill	6.0±1.0 mm (0.24±0.04 in)
(G)	Rear door panel to Rear quarter lower protector	5.0±1.0 mm (0.20±0.04 in)

2. FRONT



EB-00177

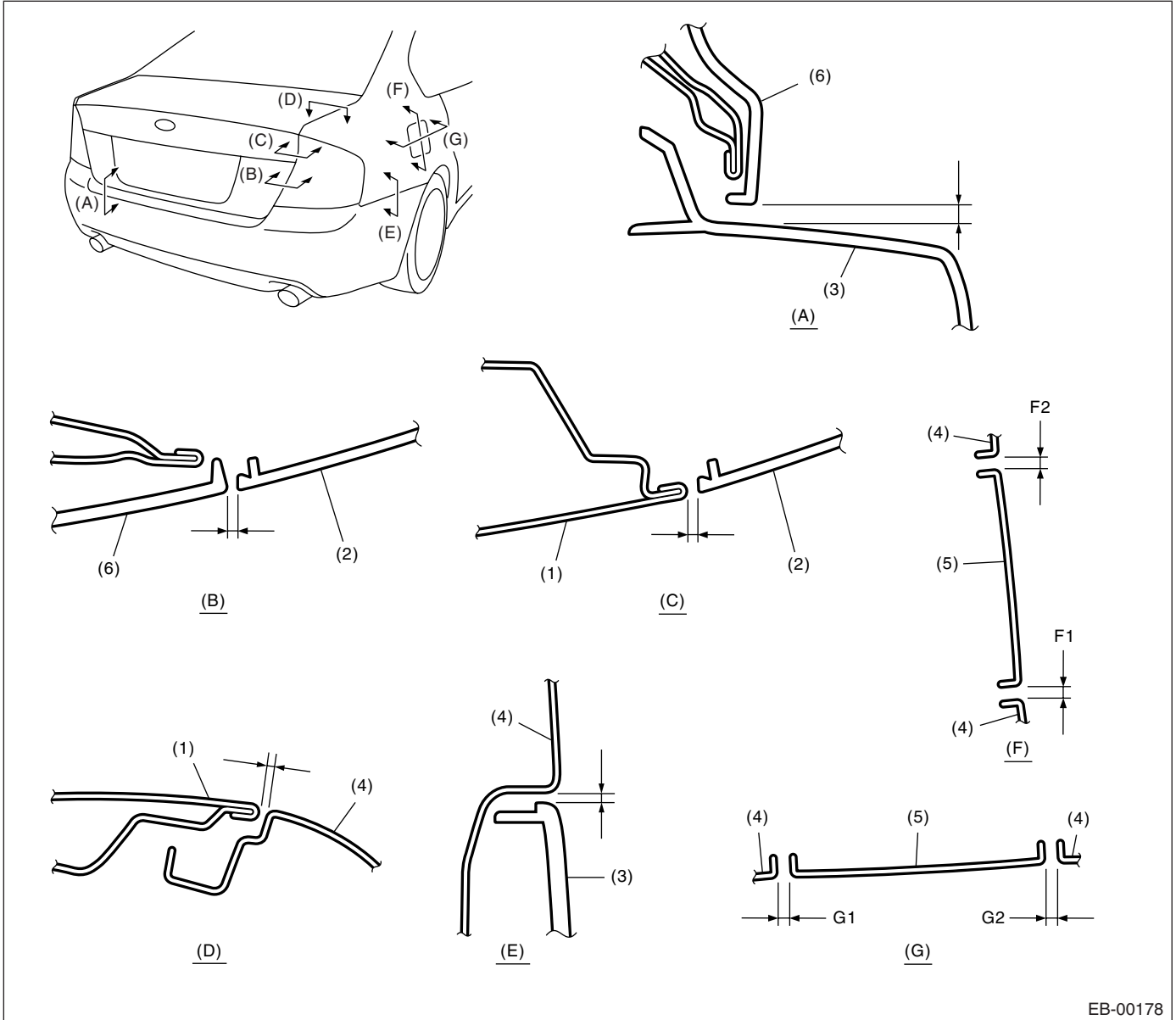
- (1) Front bumper
- (2) Front grille
- (3) Front hood panel
- (4) Headlight
- (5) Front fender panel

Section	Part	Standard value
(A)	Front bumper to Front grille (Longitudinal direction)	1.0±0.7 mm (0.04±0.03 in)
(B)	Front hood panel to Front bumper	4.0 — 6.0 mm (0.16 — 0.24 in)
(C)	Front hood panel to Headlight	C1: 6.0±1.0 mm (0.24±0.04 in) C2: 5.0±1.0 mm (0.20±0.04 in)
(D)	Front fender panel to Headlight	2.0±1.0 mm (0.08±0.04 in)
(E)	Front fender panel to Front bumper	1.0±0.7 mm (0.04±0.03 in)

General Description

EXTERIOR BODY PANELS

3. REAR (SEDAN MODEL)

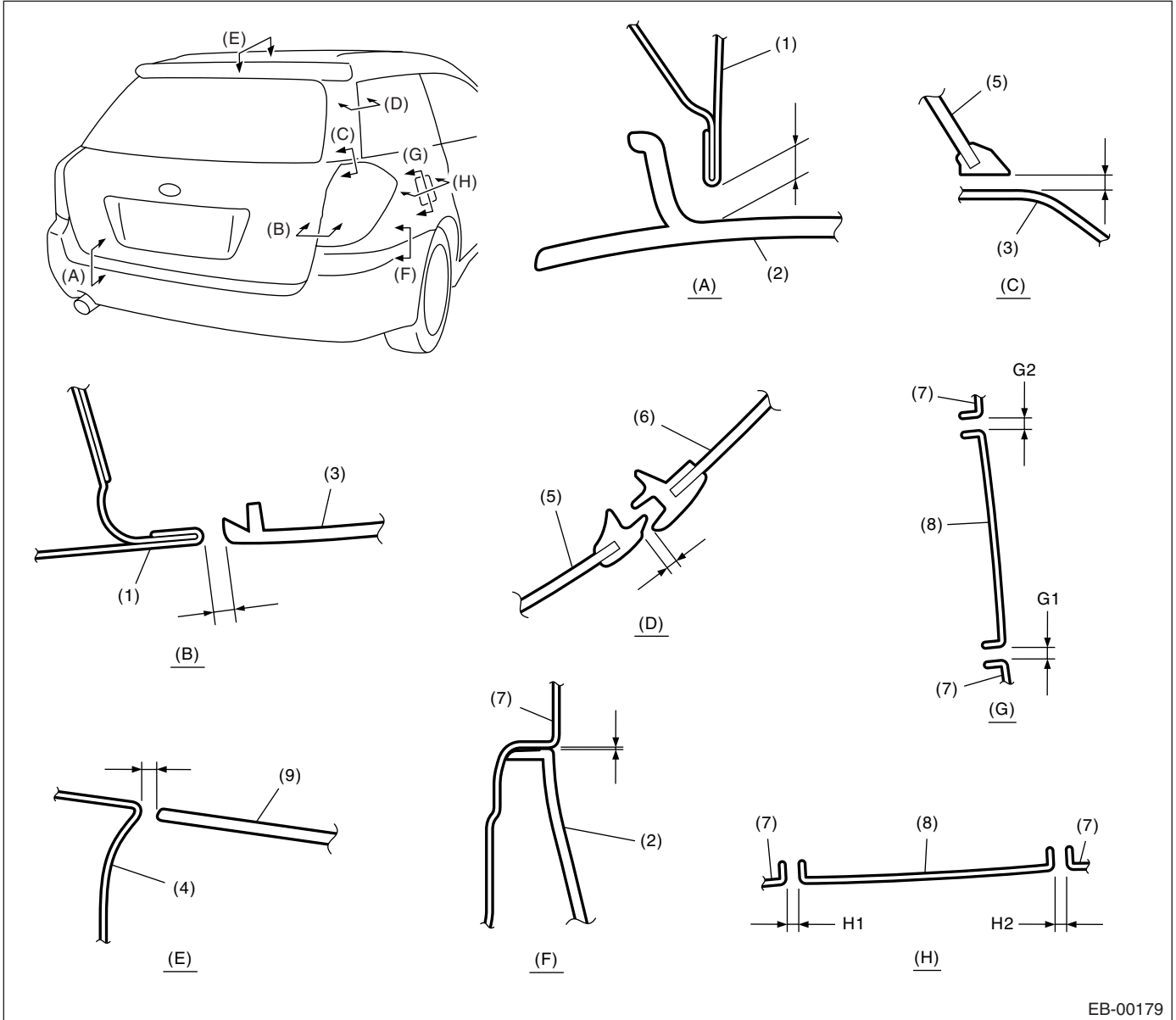


EB-00178

- | | | |
|----------------------------|-----------------------|--------------------------|
| (1) Trunk lid panel | (3) Rear bumper | (5) Fuel filler flap lid |
| (2) Rear combination light | (4) Rear fender panel | (6) Trunk lid garnish |

Section	Part	Standard value
(A)	Trunk lid garnish to Rear bumper	7.0±1.5 mm (0.28±0.06 in)
(B)	Trunk lid garnish to Rear combination light	4.0±1.0 mm (0.16±0.04 in)
(C)	Trunk lid panel to Rear combination light	3.5±1.0 mm (0.14±0.04 in)
(D)	Trunk lid panel to Rear fender panel	3.5±1.0 mm (0.14±0.04 in)
(E)	Rear fender panel to Rear bumper	1.0±0.7 mm (0.04±0.03 in)
(F)	Rear fender panel to Fuel filler flap lid (Longitudinal direction)	F1: 3.7±0.5 mm (0.15±0.02 in) F2: 3.4±0.5 mm (0.13±0.02 in)
(G)	Rear fender panel to Fuel filler flap lid (Lateral direction)	G1, G2: 3.5±0.5 mm (0.14±0.02 in)

4. REAR (WAGON MODEL)



EB-00179

- | | | |
|----------------------------|------------------------|--------------------------|
| (1) Rear gate panel | (4) Roof panel | (7) Rear fender panel |
| (2) Rear bumper | (5) Rear gate glass | (8) Fuel filler flap lid |
| (3) Rear combination light | (6) Door quarter glass | (9) Roof spoiler |

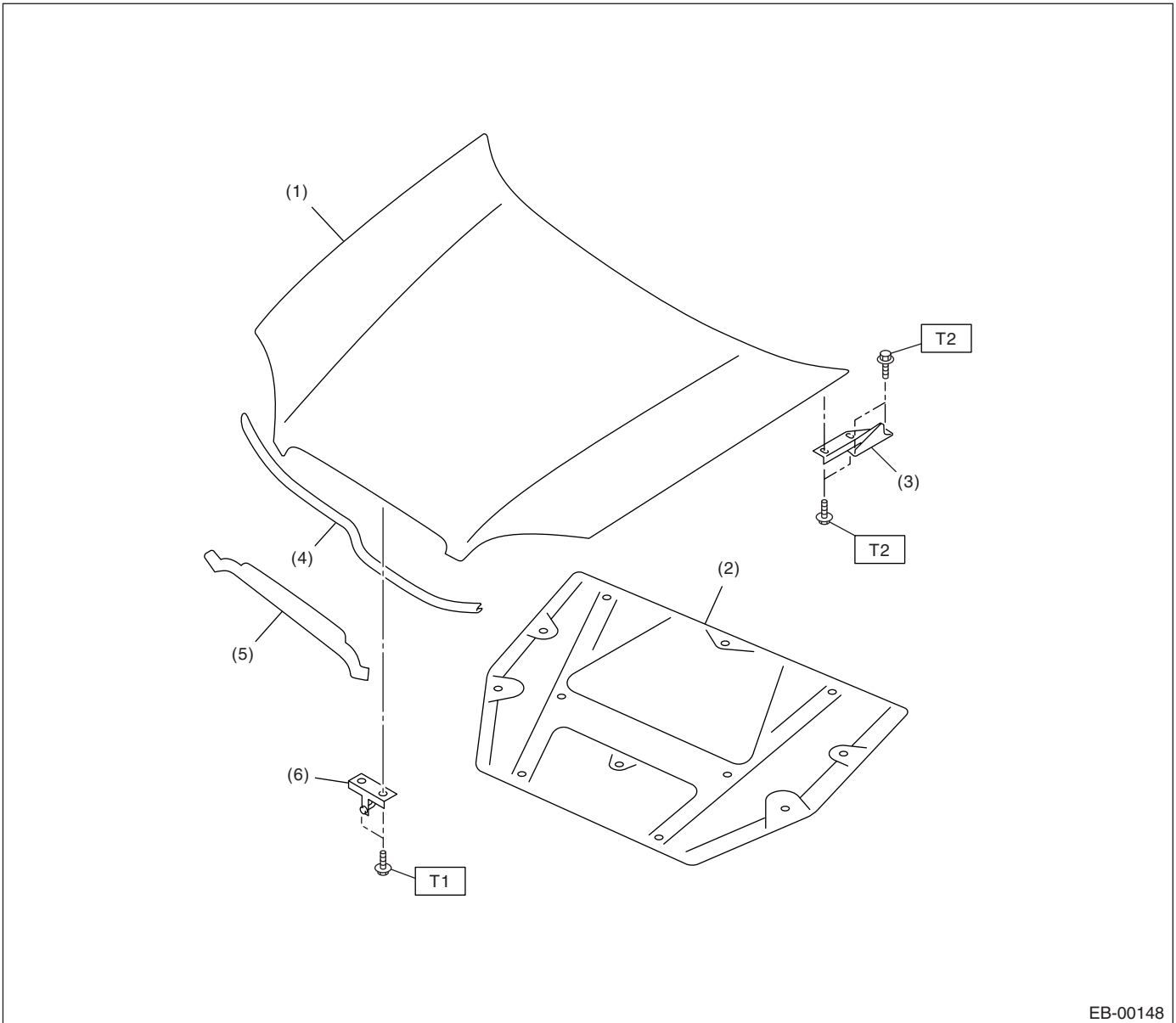
Section	Part	Standard value
(A)	Rear gate panel to Rear bumper	8.0±1.5 mm (0.31±0.06 in)
(B)	Rear gate panel to Rear combination light	5.1±1.0 mm (0.20±0.04 in)
(C)	Rear gate glass to Rear combination light	5.5±1.0 mm (0.22±0.04 in)
(D)	Rear gate glass to Rear quarter glass	4.0±1.5 mm (0.16±0.06 in)
(E)	Roof panel to Roof spoiler	5.5±1.0 mm (0.22±0.04 in)
(F)	Rear fender panel to Rear bumper	1.0±0.7 mm (0.04±0.03 in)
(G)	Rear fender panel to Fuel filler flap lid (Longitudinal direction)	G1: 3.7±0.5 mm (0.15±0.02 in) G2: 3.4±0.5 mm (0.13±0.02 in)
(H)	Rear fender panel to Fuel filler flap lid (Lateral direction)	H1, H2: 3.5±0.5 mm (0.14±0.02 in)

General Description

EXTERIOR BODY PANELS

B: COMPONENT

1. FRONT HOOD



EB-00148

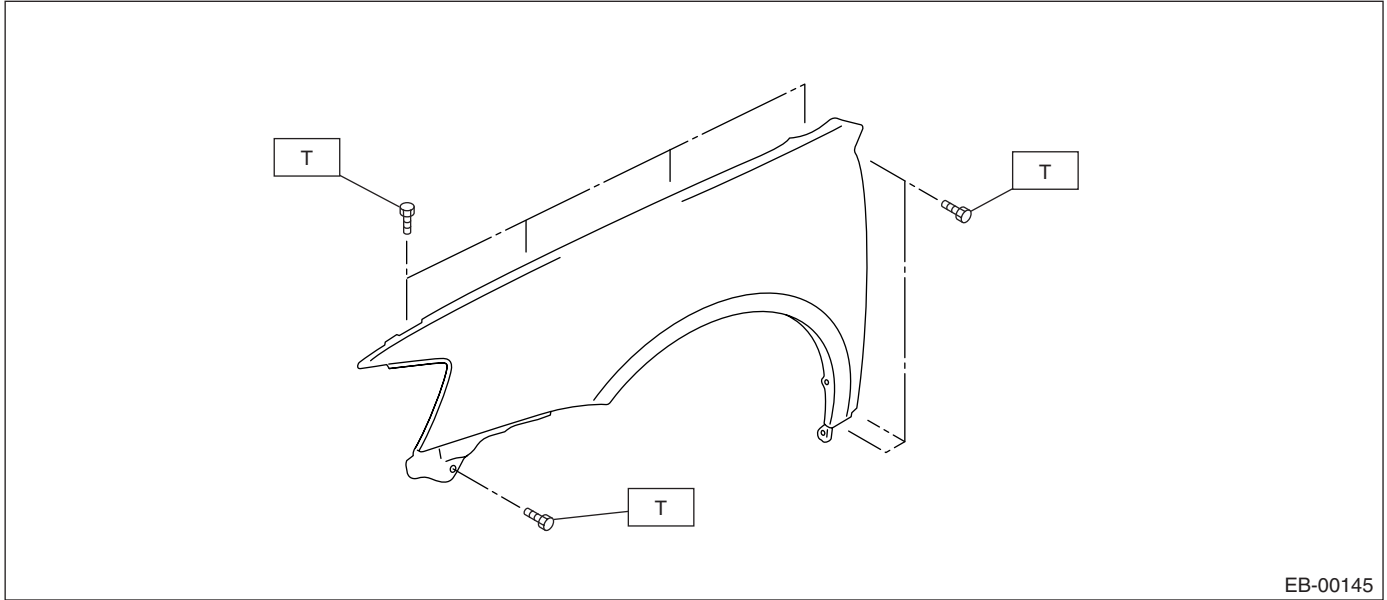
- | | |
|--------------------------|-------------------------------|
| (1) Front hood panel | (4) Intake duct weather strip |
| (2) Front hood insulator | (5) Front hood weather strip |
| (3) Front hood hinge | (6) Front hood striker |

Tightening torque: N·m (kgf·m, ft·lb)

T1: 33 (3.4, 24.5)

T2: 24.5 (2.5, 18.1)

2. FRONT FENDER PANEL



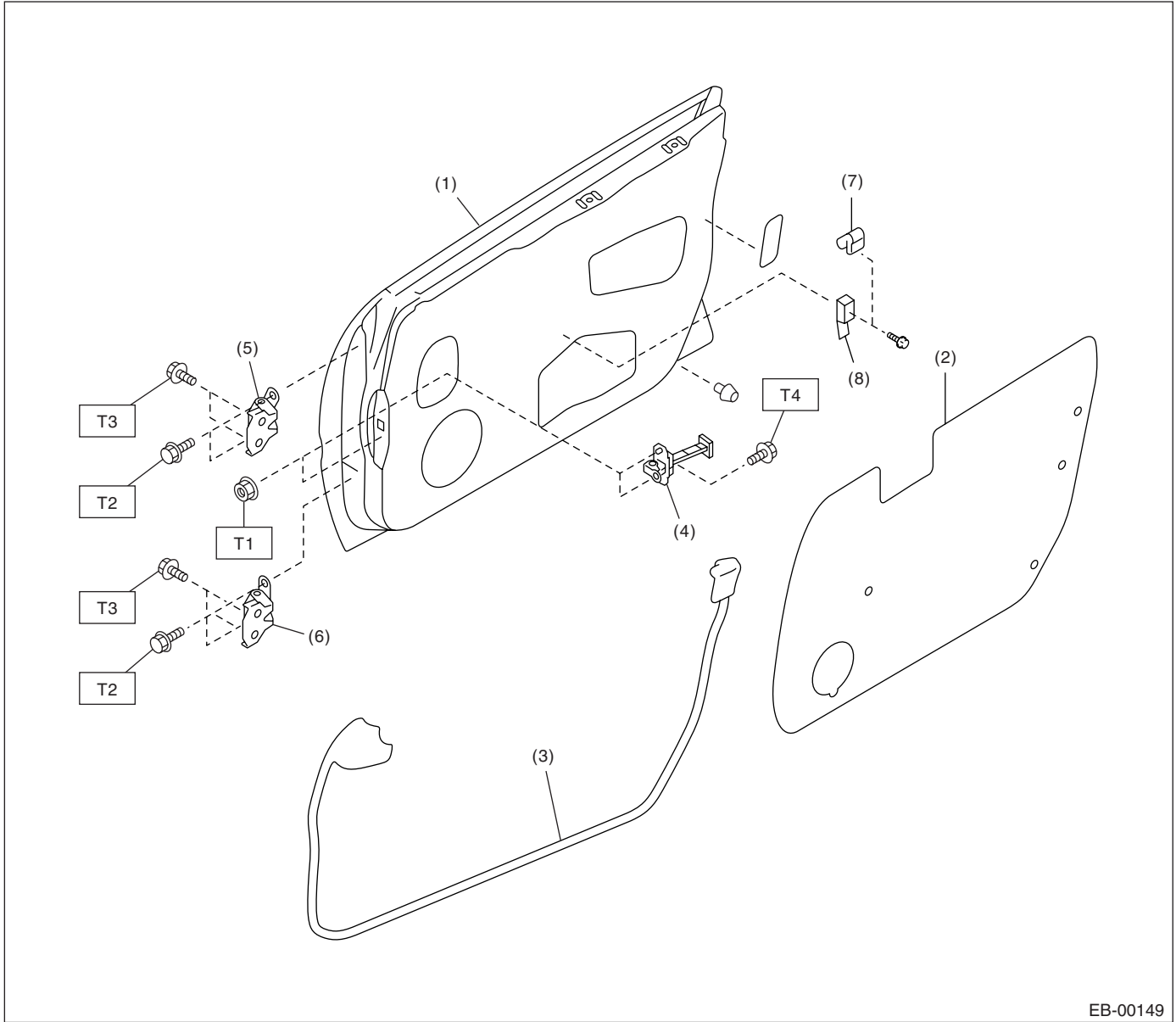
EB-00145

Tightening torque: N·m (kgf·m, ft·lb)
T: 7.4 (0.75, 5.5)

General Description

EXTERIOR BODY PANELS

3. FRONT DOOR PANEL



- | | |
|------------------------------|-----------------------------|
| (1) Front door panel | (6) Lower hinge |
| (2) Sealing cover | (7) Door trim bracket upper |
| (3) Front door weather strip | (8) Door trim bracket lower |
| (4) Checker | |
| (5) Upper hinge | |

Tightening torque: N·m (kgf·m, ft·lb)

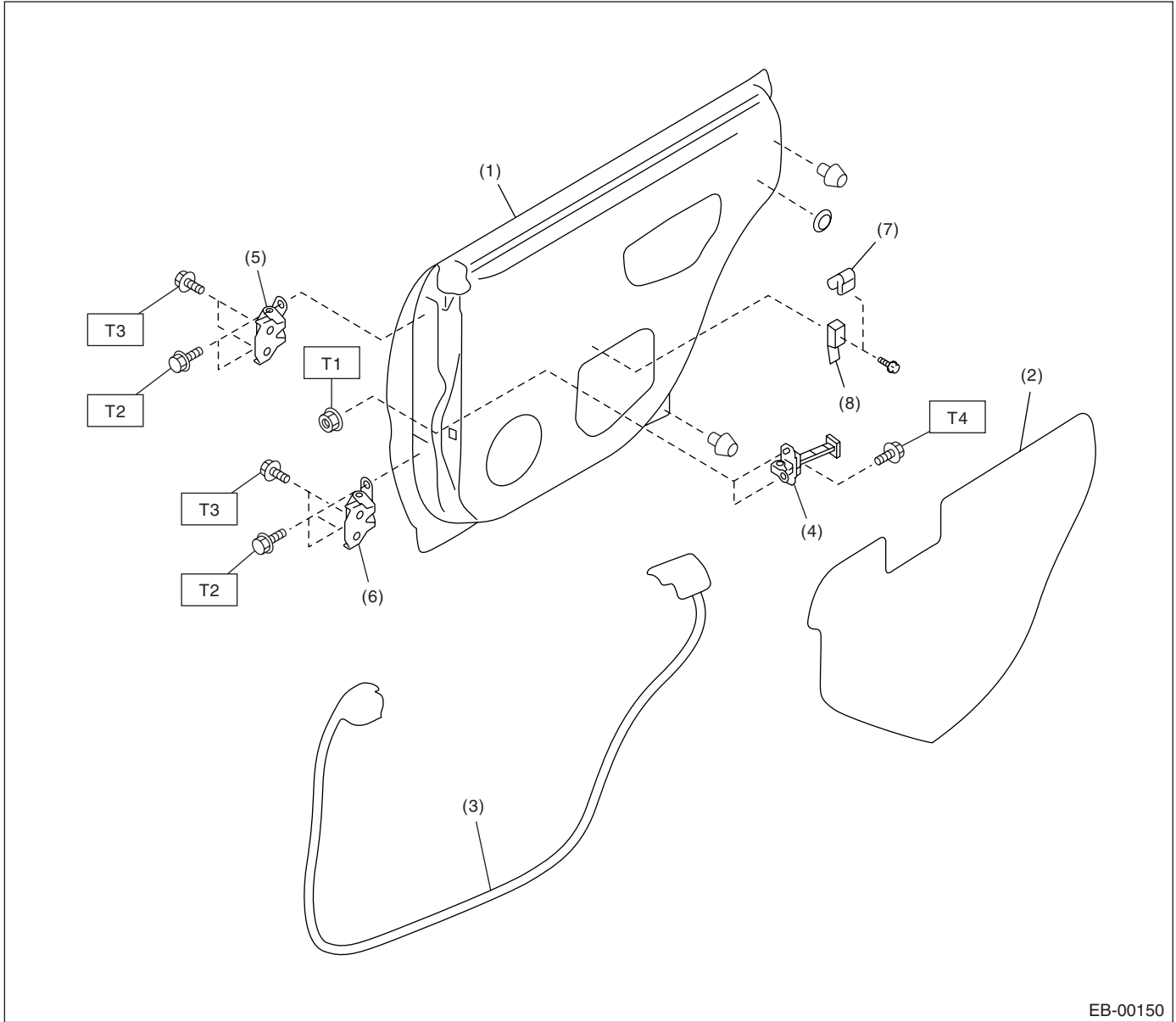
T1: 7.4 (0.75, 5.5)

T2: 24.5 (2.5, 18.1)

T3: 29.4 (3.0, 21.7)

T4: 32.3 (3.3, 23.8)

4. REAR DOOR PANEL



- | | |
|-----------------------------|-----------------------------|
| (1) Rear door panel | (6) Lower hinge |
| (2) Sealing cover | (7) Door trim bracket upper |
| (3) Rear door weather strip | (8) Door trim bracket lower |
| (4) Checker | |
| (5) Upper hinge | |

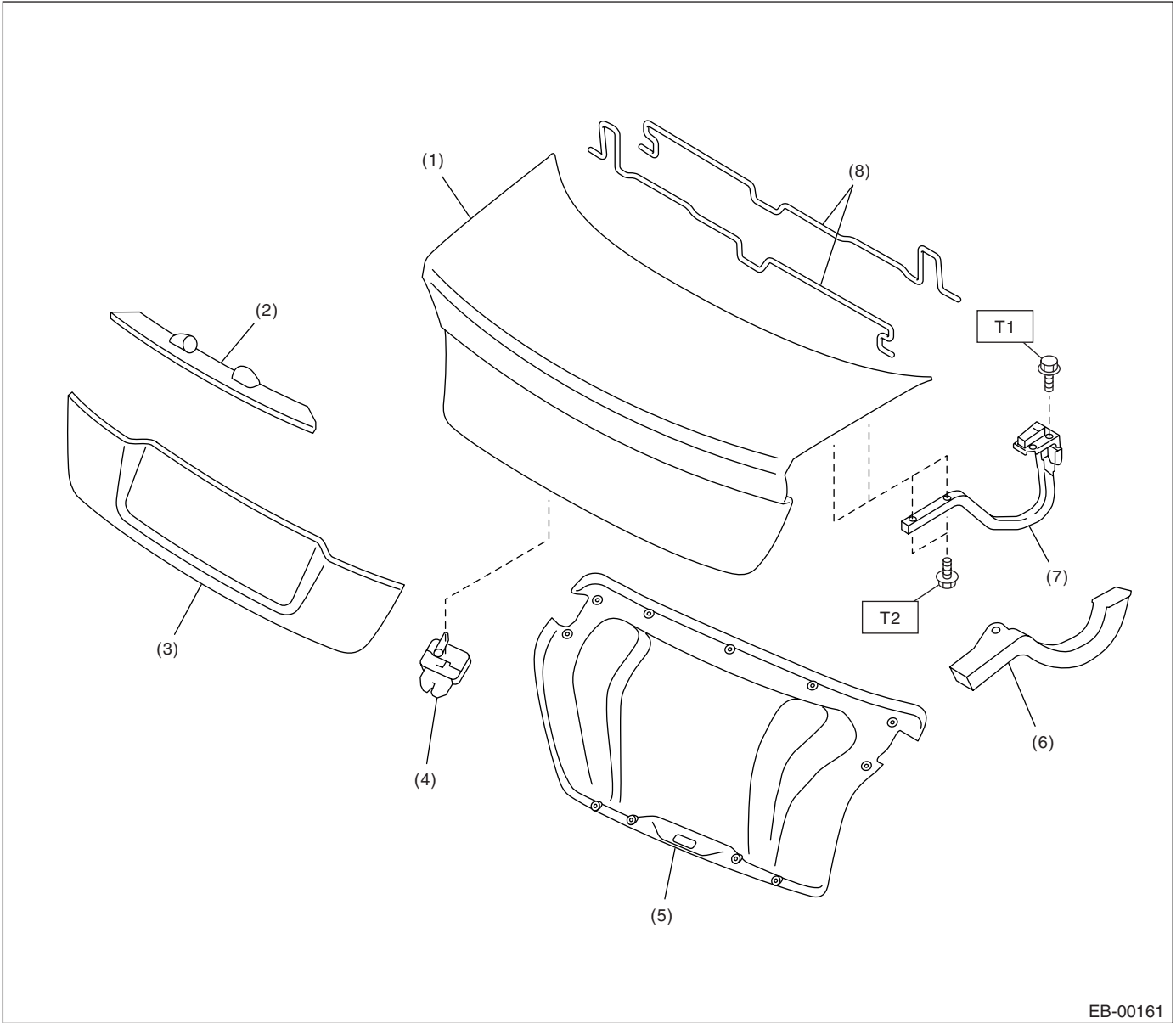
Tightening torque: N·m (kgf·m, ft·lb)

- T1: 7.4 (0.75, 5.5)**
T2: 24.5 (2.5, 18.1)
T3: 29.4 (3.0, 21.7)
T4: 32.3 (3.3, 23.8)

General Description

EXTERIOR BODY PANELS

5. TRUNK LID PANEL



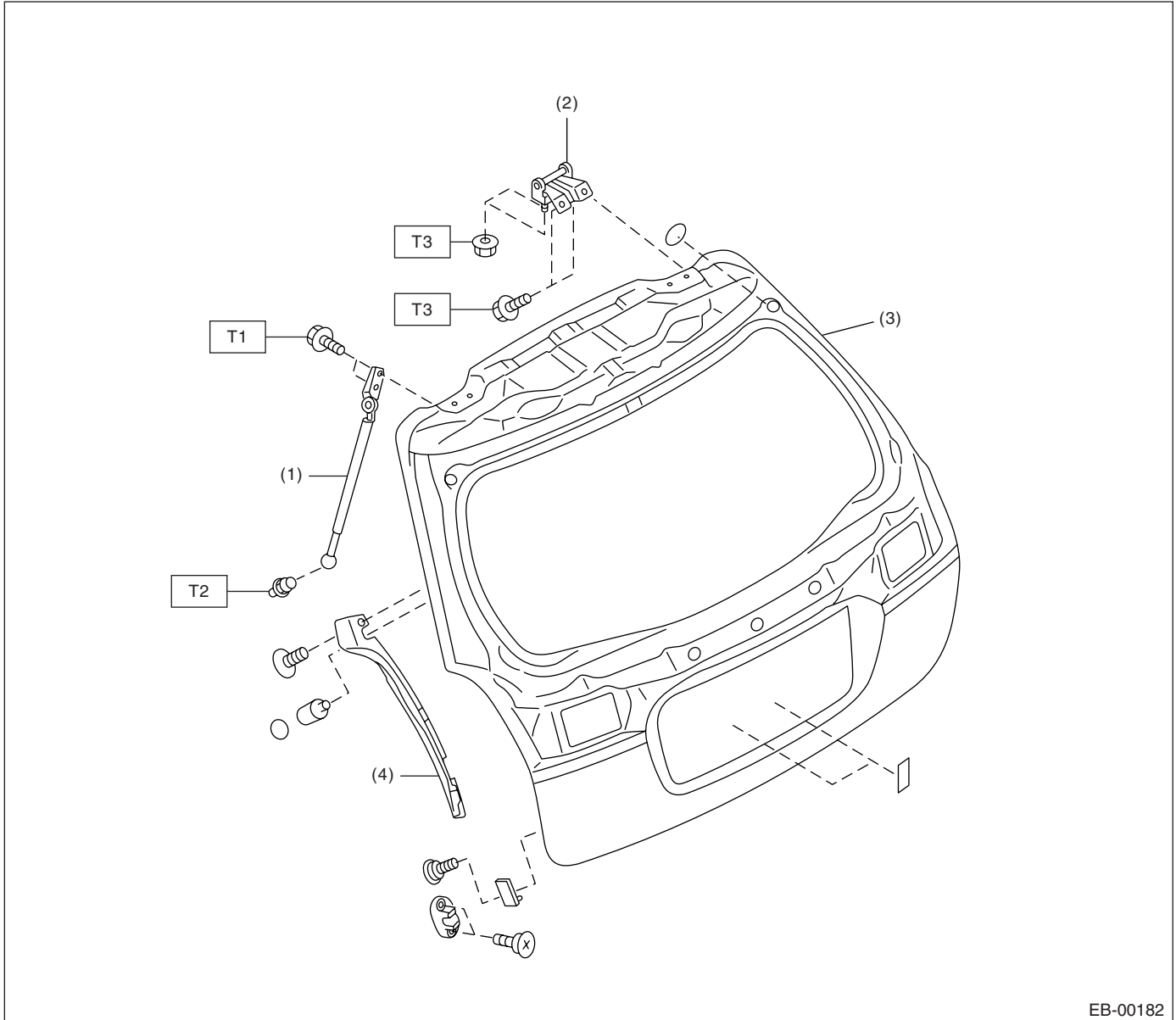
- | | |
|-------------------------------|-------------------------|
| (1) Trunk lid panel | (5) Trunk lid trim |
| (2) License plate light cover | (6) Trunk lid arm cover |
| (3) Trunk lid garnish | (7) Trunk lid arm ASSY |
| (4) Trunk lid lock ASSY | (8) Torsion bar |

Tightening torque: N·m (kgf·m, ft·lb)

T1: 17.6 (1.8, 12.9)

T2: 14 (1.43, 10.3)

6. REAR GATE PANEL



- | | |
|---------------------------|--------------------------------|
| (1) Rear gate damper stay | (3) Rear gate panel |
| (2) Hinge | (4) Rear gate side panel cover |

Tightening torque: N·m (kgf·m, ft·lb)

T1: 7.5 (0.76, 5.5)

T2: 14.0 (1.43, 10.3)

T3: 25.0 (2.6, 18.4)

C: CAUTION

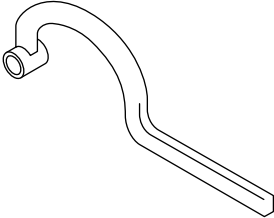
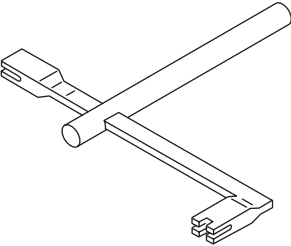
- Exterior body panels are heavy. Do not drop and damage the panels. During removal and installation, do not damage the panel painting surface.
- While removing mounting bolts, using assistance devices such as a support jack will help to support the panel.
- Be careful not to lose small parts.

General Description

EXTERIOR BODY PANELS

D: PREPARATION TOOL

1. SPECIAL TOOL

ILLUSTRATION	TOOL NUMBER	DESCRIPTION	REMARKS
 <p style="text-align: center;">ST-925610000</p>	925610000	WRENCH	Used for removing and installing door hinge.
 <p style="text-align: center;">ST-927780000</p>	927780000	REMOVER	Used for removing and installing trunk torsion bar.

2. GENERAL TOOL

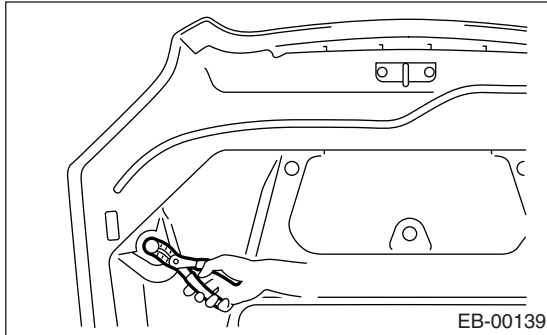
TOOL NAME	REMARKS
Support jack	Used for supporting door panel.
Clip remover	Used for removing various types of clips.

2. Front Hood

A: REMOVAL

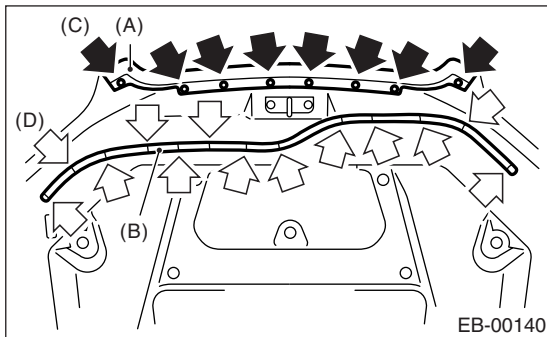
1. FRONT HOOD INSULATOR

- 1) Open the hood.
- 2) Release the clips to remove the front hood insulator.



2. FRONT HOOD WEATHER STRIP

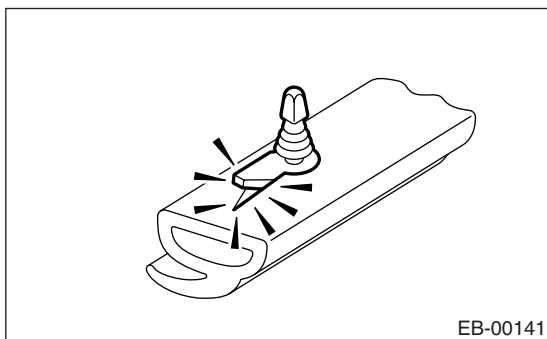
- 1) Open the hood.
- 2) Remove the clips, and remove the front hood weather strip (A) and intake duct weather strip (B).



- (C) Clip
- (D) Weather strip clip

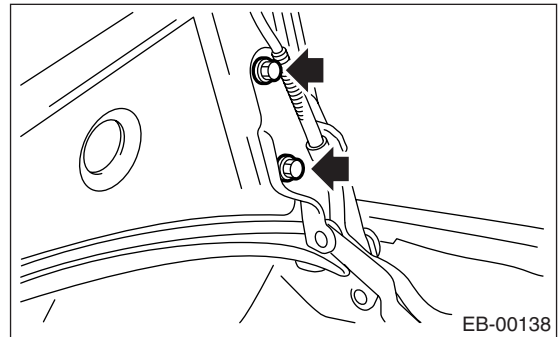
NOTE:

If the weather strip clip is removed with excessive force, the weather strip may be damaged. Be sure to use clip remover to remove.

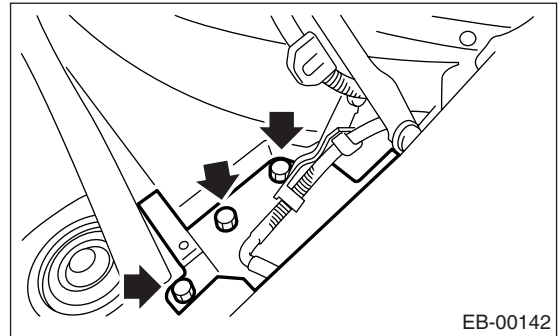


3. FRONT HOOD HINGE

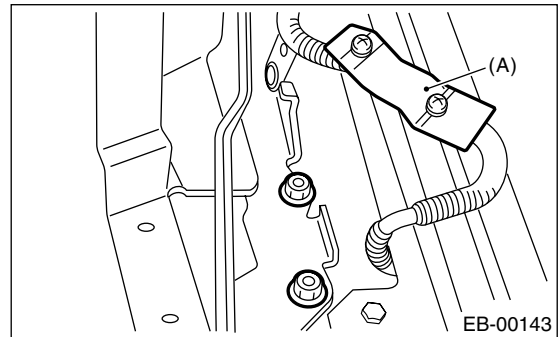
- 1) Remove the bolts, and remove the front hood panel. <Ref. to EB-14, FRONT HOOD PANEL, REMOVAL, Front Hood.>



- 2) Remove the clips, and remove the cowl side panel front.



- 3) Remove the clamp (A) of the window washer hose, and remove bolt of the hinge.

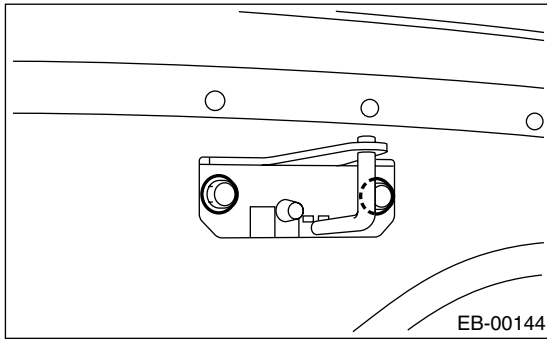


Front Hood

EXTERIOR BODY PANELS

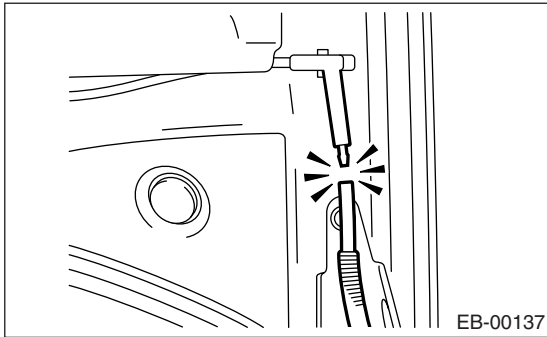
4. FRONT HOOD STRIKER

- 1) Open the hood.
- 2) Remove the bolt, and remove the front hood striker.



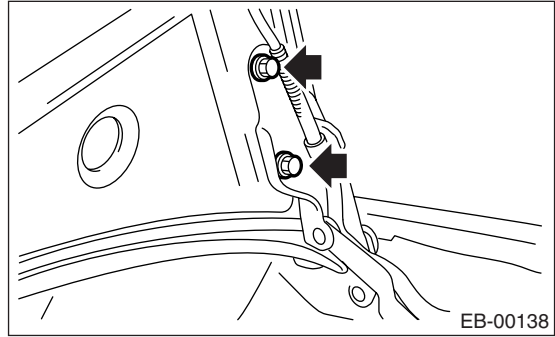
5. FRONT HOOD PANEL

- 1) Open the front hood to remove the window washer hose.



- 2) Remove the front hood insulator.
<Ref. to EB-13, FRONT HOOD INSULATOR, REMOVAL, Front Hood.>
- 3) Remove the front hood weather strip.
<Ref. to EB-13, FRONT HOOD WEATHER STRIP, REMOVAL, Front Hood.>
- 4) Remove the front hood striker.
<Ref. to EB-14, FRONT HOOD STRIKER, REMOVAL, Front Hood.>
- 5) Remove the front hood duct. (Turbo model)
<Ref. to EI-25, REMOVAL, Front Hood Grille.>
- 6) Remove the window washer hose and nozzle.
<Ref. to WW-20, REMOVAL, Front Washer Nozzle.>

- 7) Remove the bolts, and remove the front hood panel from front hood hinge.



B: INSTALLATION

1. FRONT HOOD INSULATOR

Install in the reverse order of removal.

NOTE:

Be careful not to catch the window washer hose in.

2. FRONT HOOD WEATHER STRIP

Install in the reverse order of removal.

3. FRONT HOOD HINGE

Install in the reverse order of removal.

Tightening torque:

24.5 N·m (2.5 kgf-m, 18.1 ft-lb)

4. FRONT HOOD STRIKER

Install in the reverse order of removal.

Tightening torque:

33.0 N·m (3.4 kgf-m, 24.5 ft-lb)

5. FRONT HOOD PANEL

Install in the reverse order of removal.

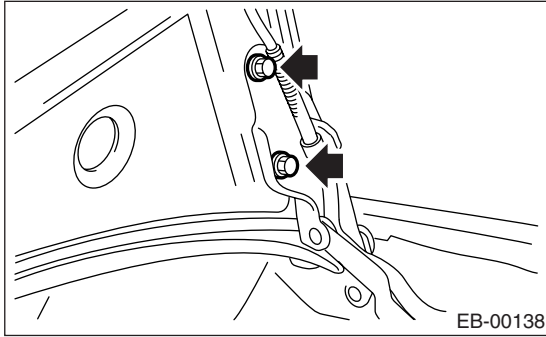
Tightening torque:

24.5 N·m (2.5 kgf-m, 18.1 ft-lb)

C: ADJUSTMENT

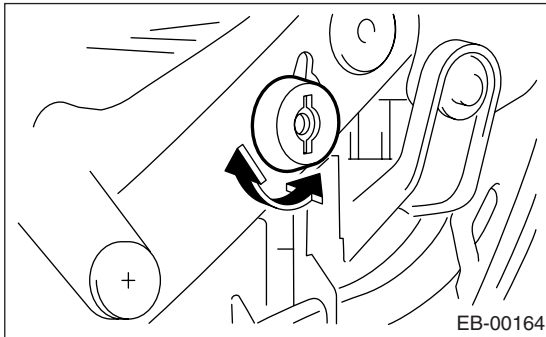
- 1) Adjust the clearance between front hood panel and front fender panel. Clearance must be equal at both sides. For the dimension of clearance, refer to "SPECIFICATIONS" in "General Description".
<Ref. to EB-2, SPECIFICATION, General Description.>

2) Use a hinge mounting bolts to align the front hood longitudinally and laterally.



3) Adjust the height at the front end of hood. <Ref. to SL-40, ADJUSTMENT, Front Hood Lock Assembly.>

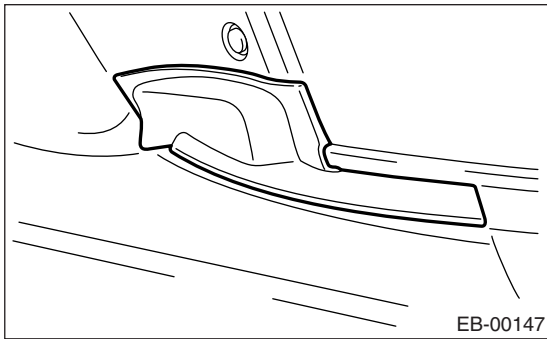
4) Rotate the hood buffer to adjust lateral height.



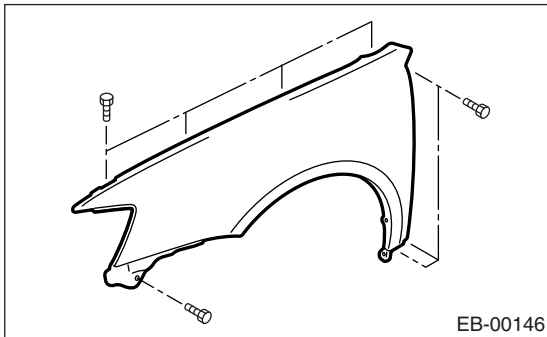
3. Front Fender Panel

A: REMOVAL

- 1) Disconnect the ground cable from battery.
- 2) Remove the side sill spoilers. <Ref. to EI-41, REMOVAL, Side Sill Spoiler.>
- 3) Remove the front grille. <Ref. to EI-24, REMOVAL, Front Grille.>
- 4) Remove the front bumper face. <Ref. to EI-30, REMOVAL, Front Bumper.>
- 5) Remove the headlight assembly. <Ref. to LI-14, REMOVAL, **Headlight Assembly**.>
- 6) Remove the mud guard. <Ref. to EI-29, REMOVAL, Mud Guard.>
- 7) Remove the cowl panel side.



- 8) Remove the bolt, and remove the front fender panel.



B: INSTALLATION

- 1) Install in the reverse order of removal.
- 2) Install with attention to make uniform clearance between front fender panel and front hood panel. For the dimension of clearance, refer to "SPECIFICATIONS" in "General Description". <Ref. to EB-2, SPECIFICATION, General Description.>

Tightening torque:

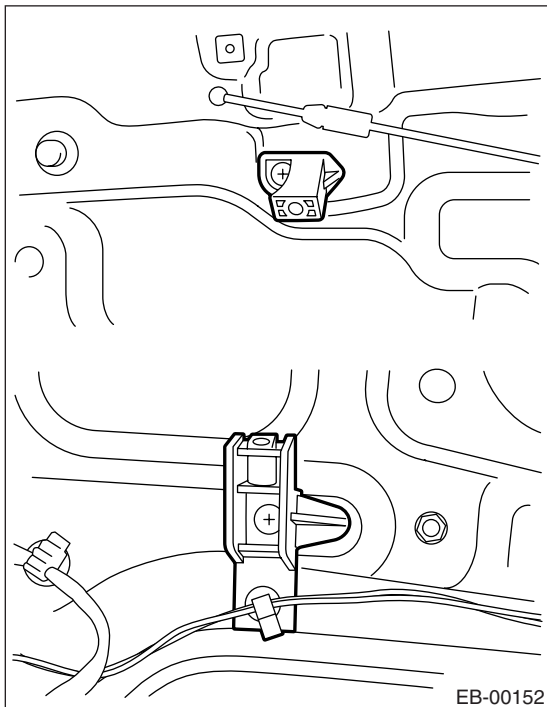
7.4 N·m (0.75 kgf-m, 5.5 ft-lb)

4. Front Door

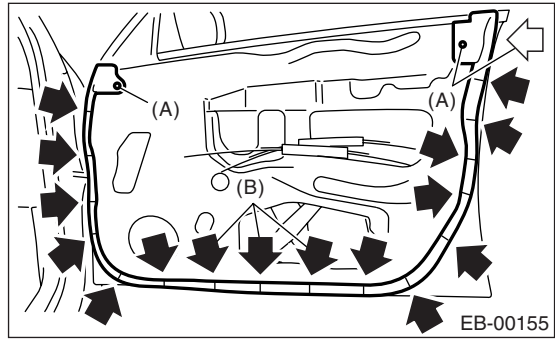
A: REMOVAL

1. FRONT DOOR PANEL

- 1) Disconnect the ground cable from battery.
- 2) Remove the front door trim. <Ref. to EI-48, REMOVAL, Door Trim.>
- 3) Remove the outer mirror assembly. <Ref. to GW-18, REMOVAL, Outer Mirror Assembly.>
- 4) Remove the front door speaker. <Ref. to ET-6, REMOVAL, Front Speaker.>
- 5) Pull back the sealing cover. <Ref. to EB-20, REMOVAL, Front Sealing Cover.>
- 6) Remove the gusset and front door glass. <Ref. to GW-10, REMOVAL, Front Door Glass.>
- 7) Remove the door sash and front door regulator and motor. <Ref. to GW-15, REMOVAL, Front Regulator and Motor Assembly.>
- 8) Remove the front door latch assembly. <Ref. to SL-30, REMOVAL, Front Door Latch and Door Lock Actuator Assembly.>
- 9) Remove the front outer handle. <Ref. to SL-29, REMOVAL, Front Outer Handle.>
- 10) Remove the screw to remove the door trim bracket.



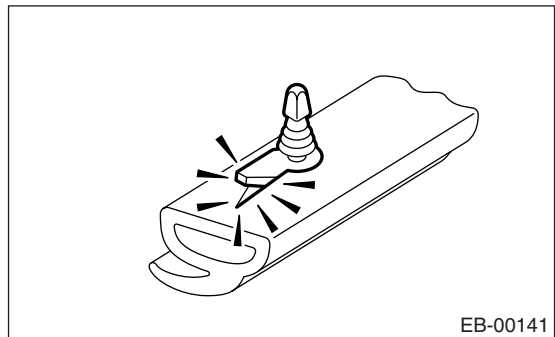
- 11) Remove the front door weather strip.



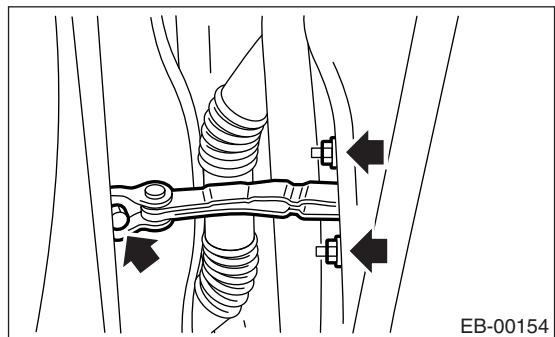
- (A) Pin clip
(B) Weather strip clip

NOTE:

If the weather strip clip is removed with excessive force, the weather strip may be damaged. Be sure to use clip remover to remove.



- 12) Remove the bolts and nuts to remove the door checker.



- 13) Remove the front door. <Ref. to EB-17, FRONT DOOR ASSEMBLY, REMOVAL, Front Door.>

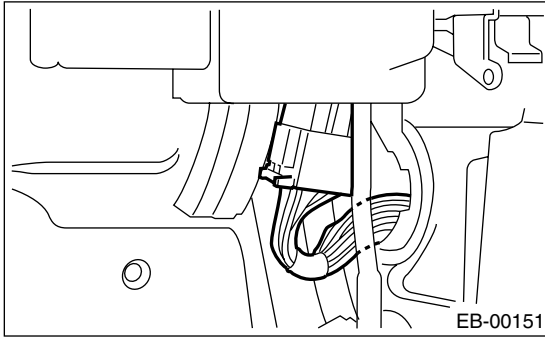
2. FRONT DOOR ASSEMBLY

- 1) Disconnect the ground cable from battery.
- 2) Remove the front pillar lower trim. <Ref. to EI-60, REMOVAL, Lower Inner Trim.>
- 3) Remove the instrument panel lower cover or glove box lower cover. <Ref. to EI-50, REMOVAL, Instrument Panel Lower Cover.> or <Ref. to EI-51, REMOVAL, Glove Box.>

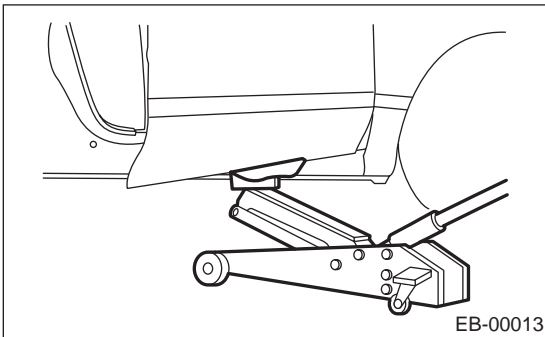
Front Door

EXTERIOR BODY PANELS

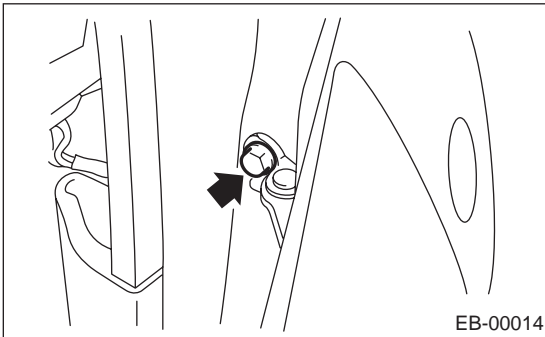
- 4) Disconnect the connector of door harness from body harness.



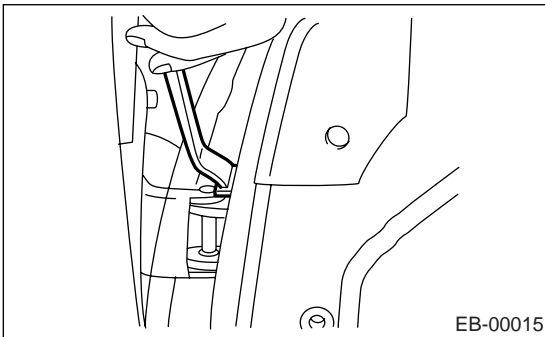
- 5) Put a wooden block on jack and place jack under the front door. Support the door with a jack to protect it from damage.



- 6) Remove the bolt from the door checker.



- 7) Remove the door-side bolts for upper and lower hinges to remove front door panel.



- 8) Remove the door hinge from vehicle.

B: INSTALLATION

1. FRONT DOOR PANEL

Install in the reverse order of removal.

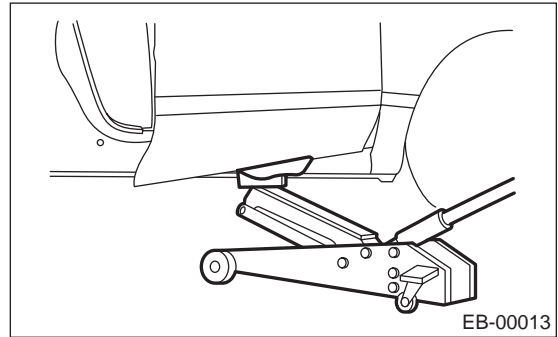
Tightening torque:

Refer to "COMPONENT" of "General Description".

<Ref. to EB-8, FRONT DOOR PANEL, COMPONENT, General Description.>

2. FRONT DOOR ASSEMBLY

- 1) Put a wooden block on jack and place the front door on that.



- 2) Apply grease to the sliding area of door hinges, and install the door hinge to vehicle.
- 3) Install the front door to upper hinge and lower hinge adjusting by jack.
- 4) Tighten the bolt of door checker.
- 5) Connect the door harness connector, and install the instrument panel lower cover.
- 6) Install the front pillar lower trim.

Tightening torque:

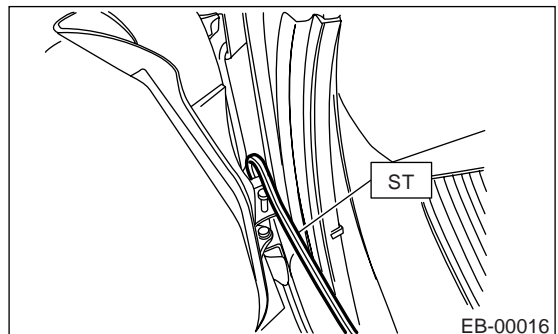
Refer to "COMPONENT" of "General Description".

<Ref. to EB-8, FRONT DOOR PANEL, COMPONENT, General Description.>

C: ADJUSTMENT

- 1) Using the ST, loosen the body-side bolts of upper and lower hinges to align the position of front door panel longitudinally and laterally.

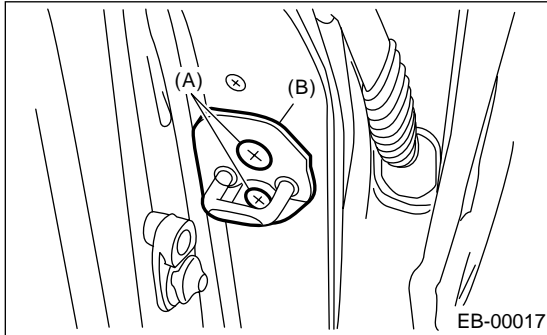
ST 925610000 DOOR HINGE WRENCH



2) Loosen the screws (A), and tap the striker (B) using plastic hammer to adjust the gap between rear end surface of front door panel and front end surface of rear door.

CAUTION:

Do not use an impact wrench. Welding area on the striker nut plate is easily broken.



5. Front Sealing Cover

A: REMOVAL

- 1) Disconnect the ground cable from battery.
- 2) Remove the front door trim. <Ref. to EI-48, REMOVAL, Door Trim.>
- 3) Remove the front speaker. <Ref. to ET-6, REMOVAL, Front Speaker.>
- 4) Pull back the sealing cover.

NOTE:

- Carefully remove the butyl tape. Excessive force will easily break the cover.
- If cover gets broken, replace it with a new one.



B: INSTALLATION

- 1) Install in the reverse order of removal.
- 2) When replacing the sealing cover, use the butyl tape.
- 3) Press the butyl tape-applied area firmly to prevent any floating on surface.

Butyl tape:

3M8626 or equivalent

NOTE:

- Apply a uniform bead of butyl tape.
- Attach the sealing cover, keeping it from becoming wrinkled.
- Breaks in the bead will allow water leakage and contamination.

C: INSPECTION

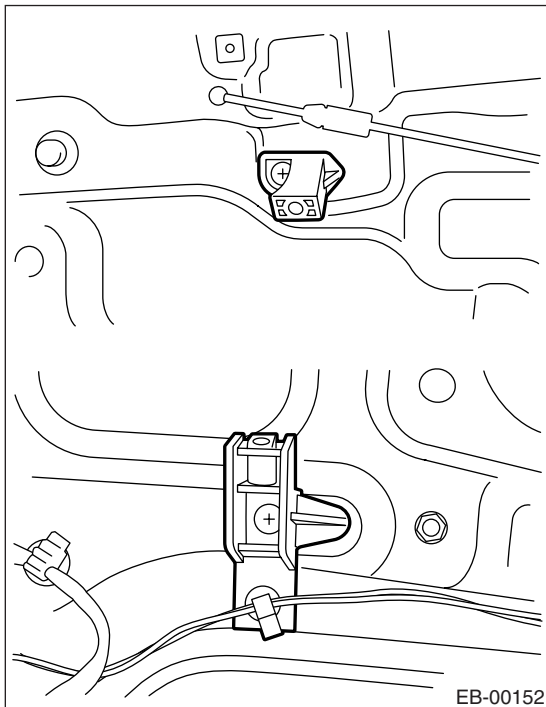
If the sealing cover gets damaged, replace it with a new one.

6. Rear Door

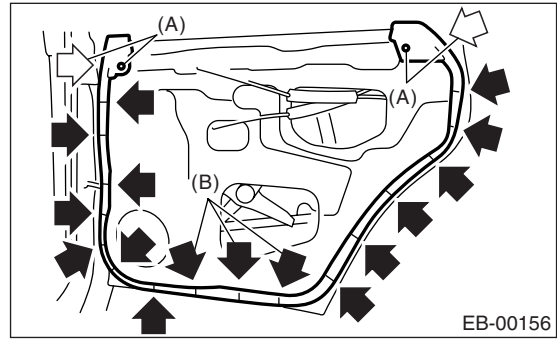
A: REMOVAL

1. REAR DOOR PANEL

- 1) Disconnect the ground cable from battery.
- 2) Remove the rear door trim. <Ref. to EI-48, REMOVAL, Door Trim.>
- 3) Remove the rear speaker. <Ref. to ET-9, REMOVAL, Rear Speaker.>
- 4) Pull back the sealing cover. <Ref. to EB-24, REMOVAL, Rear Sealing Cover.>
- 5) Remove the rear door glass. <Ref. to GW-22, REMOVAL, Rear Door Glass.>
- 6) Remove the door sash and rear door regulator and motor assembly. <Ref. to GW-24, REMOVAL, Rear Regulator and Motor Assembly.>
- 7) Remove the rear door latch. <Ref. to SL-34, REMOVAL, Rear Door Latch and Door Lock Actuator Assembly.>
- 8) Remove the rear outer handle. <Ref. to SL-33, REMOVAL, Rear Outer Handle.>
- 9) Remove the screw to remove the door trim bracket.



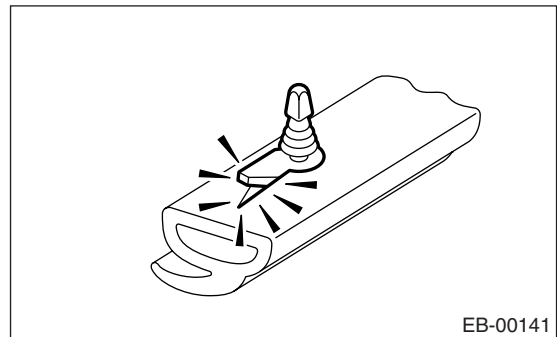
- 10) Remove the rear door inner weather strip.



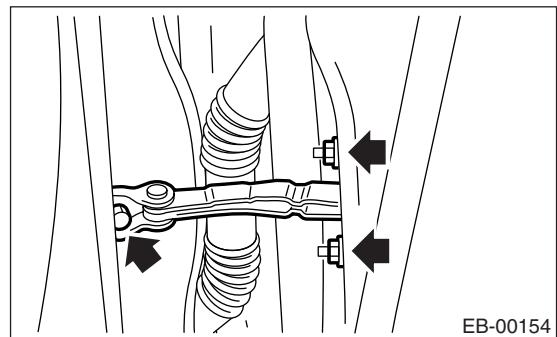
- (A) Pin clip
(B) Weather strip clip

NOTE:

If the weather strip clip is removed with excessive force, the weather strip may be damaged. Be sure to use clip remover to remove.



- 11) Remove the bolts and nuts to remove the door checker.



- 12) Remove the rear door. <Ref. to EB-21, REAR DOOR ASSEMBLY, REMOVAL, Rear Door.>

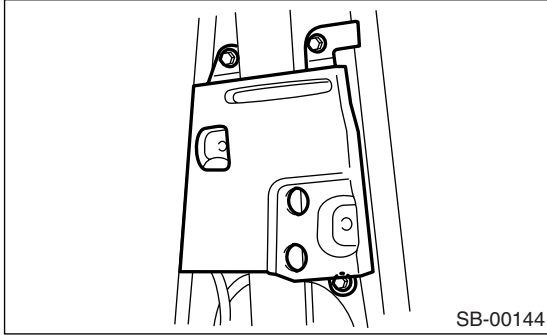
2. REAR DOOR ASSEMBLY

- 1) Disconnect the ground cable from battery.
- 2) Remove the center pillar lower trim. <Ref. to EI-60, REMOVAL, Lower Inner Trim.>

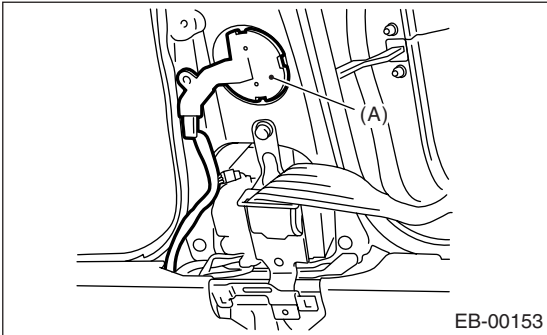
Rear Door

EXTERIOR BODY PANELS

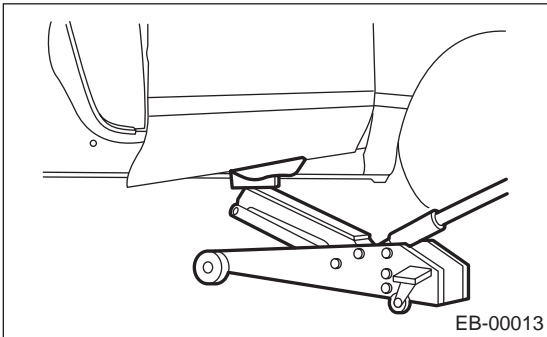
3) Remove the center pillar inner protector lower.



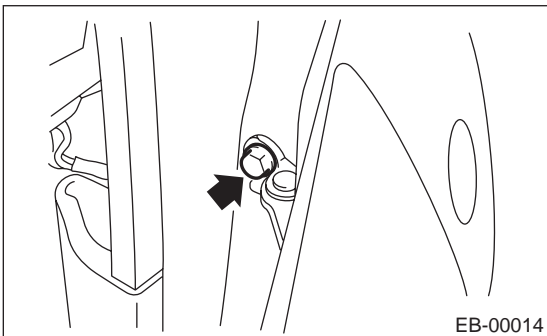
4) Remove the harness holder (A), and disconnect the door harness connector inside pillar.



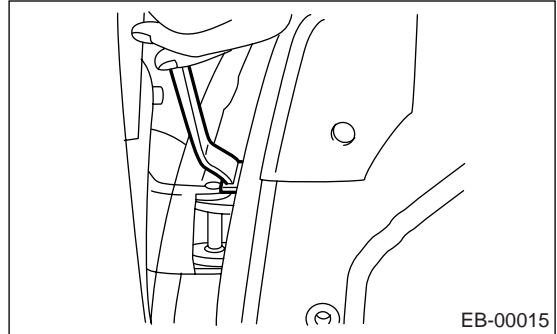
5) Put a wooden block on jack and place jack under the rear door. Support the rear door with the jack to protect it from damage.



6) Remove the bolt from the door checker.



7) Remove the door-side bolts for upper and lower hinges to remove the rear door panel.



8) Remove the door hinge from vehicle.

B: INSTALLATION

1. REAR DOOR PANEL

Install in the reverse order of removal.

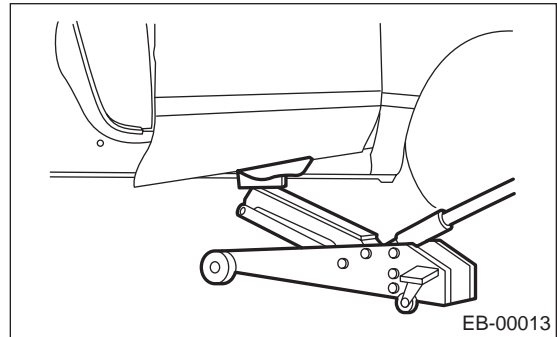
Tightening torque:

Refer to "COMPONENT" of "General Description".

<Ref. to EB-9, REAR DOOR PANEL, COMPONENT, General Description.>

2. REAR DOOR ASSEMBLY

1) Put a wooden block on jack and place the rear door on that.



- 2) Apply grease to sliding area of the door hinges.
- 3) Install the rear door to upper hinge and lower hinge adjusting by jack.
- 4) Tighten the bolt of door checker.
- 5) Connect the door harness connector, and install the center pillar inner protector.
- 6) Install the center pillar lower trim.

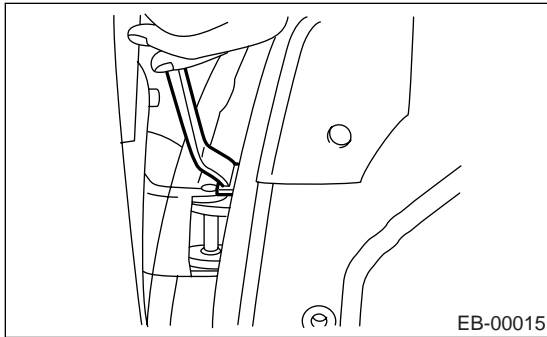
Tightening torque:

Refer to "COMPONENT" of "General Description".

<Ref. to EB-9, REAR DOOR PANEL, COMPONENT, General Description.>

C: ADJUSTMENT

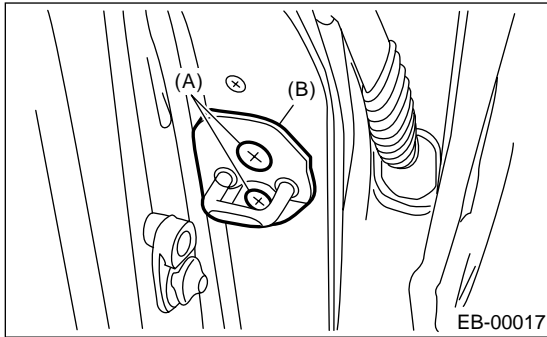
1) Open the rear door, loosen the door-side bolts of upper and lower hinges to align the position of rear door panel longitudinally and laterally.



2) Loosen the screws (A), and tap the striker (B) using plastic hammer to adjust the gap between rear end surface of rear door panel and body surface.

CAUTION:

Do not use an impact wrench. Welding area on the striker nut plate is easily broken.



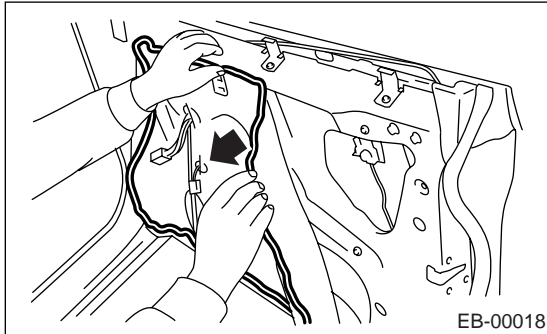
7. Rear Sealing Cover

A: REMOVAL

- 1) Disconnect the ground cable from battery.
- 2) Remove the rear door trim. <Ref. to EI-48, REMOVAL, Door Trim.>
- 3) Pull back the sealing cover.

NOTE:

- Carefully remove the butyl tape. Excessive force will easily break the cover.
- If cover gets broken, replace it with a new one.



B: INSTALLATION

- 1) Install in the reverse order of removal.
- 2) When replacing the sealing cover, use the butyl tape.
- 3) Press the butyl tape-applied area firmly to prevent any floating on surface.

Butyl tape:

3M8626 or equivalent

NOTE:

- Apply a uniform bead of butyl tape.
- Attach the sealing cover, keeping it from becoming wrinkled.
- Breaks in the bead will allow water leakage and contamination.

C: INSPECTION

If the sealing cover gets damaged, replace it with a new one.

8. Trunk Lid

A: REMOVAL

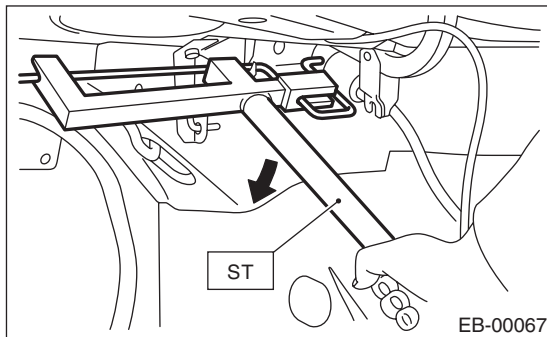
1. TORSION BAR

- 1) Open the trunk lid.
- 2) Using the ST, remove the torsion bar from the hinge link.

ST 927780000 REMOVER

CAUTION:

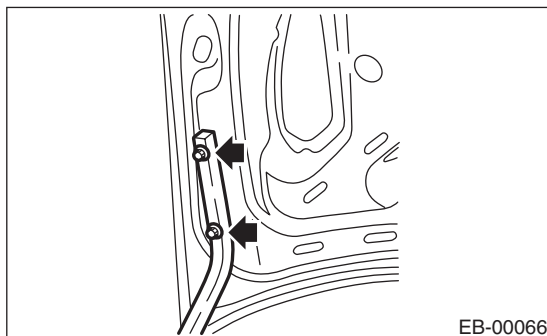
During removal and installation, carefully handle the torsion bar, because it will generate reactive force.



- 3) Remove the right/left torsion bars.

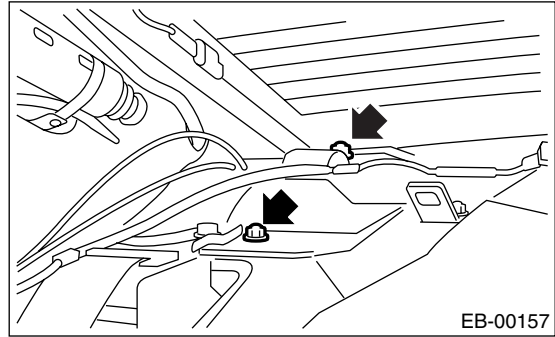
2. TRUNK LID ARM

- 1) Disconnect the ground cable from battery.
- 2) Open the trunk lid to remove the trunk lid trim, trunk lid arm cover and trunk room trim. <Ref. to EI-71, TRUNK ROOM TRIM, REMOVAL, Trunk Room Trim.>
- 3) Disconnect the trunk lid release cable. <Ref. to SL-39, REMOVAL, Trunk Lid Lock Assembly.>
- 4) Disconnect each connector, and remove the harness clip.
- 5) Remove the trunk lid mounting bolts to remove the trunk lid panel from trunk lid arm.



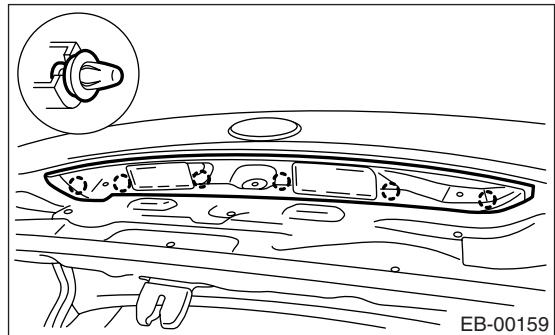
- 6) Remove the torsion bar from the trunk lid hinge link. <Ref. to EB-25, TORSION BAR, REMOVAL, Trunk Lid.>
- 7) Remove the rear shelf trim. <Ref. to EI-70, REMOVAL, Rear Shelf Trim.>

- 8) Remove the bolts to remove the trunk lid arm.

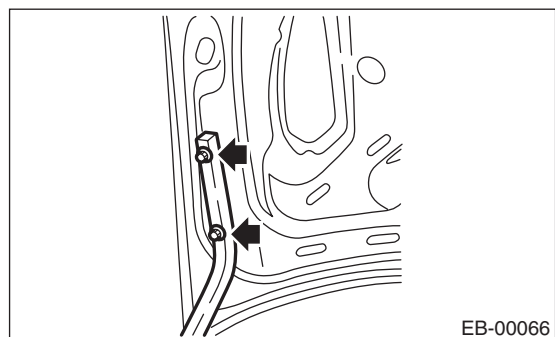


3. TRUNK LID PANEL

- 1) Disconnect the ground cable from battery.
- 2) Open the trunk lid to remove the trunk lid trim and trunk lid arm cover. <Ref. to EI-71, TRUNK ROOM TRIM, REMOVAL, Trunk Room Trim.>
- 3) Disconnect the connector to remove the trunk lid harness.
- 4) Remove the trunk lid lock assembly. <Ref. to SL-39, REMOVAL, Trunk Lid Lock Assembly.>
- 5) Remove the trunk lid garnish. <Ref. to EI-75, REMOVAL, Trunk Lid Garnish.>
- 6) Remove the license plate light cover.



- 7) Remove the bolts to remove the trunk lid panel from the trunk lid arm.



B: INSTALLATION

1. TORSION BAR

- 1) Install in the reverse order of removal.
- 2) Apply grease to the rotating area of hinges and of torsion bar.

2. TRUNK LID ARM

Install in the reverse order of removal.

Tightening torque:

Refer to “COMPONENT” of “General Description”.

<Ref. to EB-10, TRUNK LID PANEL, COMPONENT, General Description.>

3. TRUNK LID PANEL

1) Install in the reverse order of removal.

2) Install with attention to make uniform clearance around the trunk lid panel. For the dimension of clearance, refer to “SPECIFICATIONS” in “General Description”. <Ref. to EB-2, SPECIFICATION, General Description.>

Tightening torque:

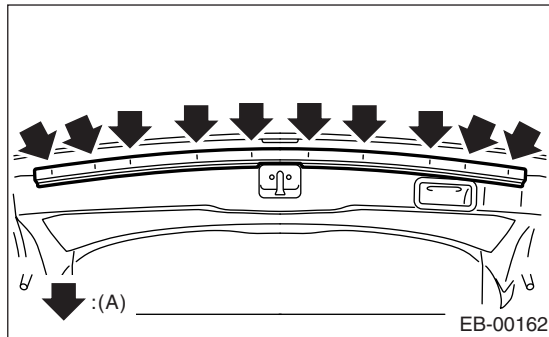
14 N·m (1.43 kgf-m, 10.3 ft-lb)

9. Rear Gate

A: REMOVAL

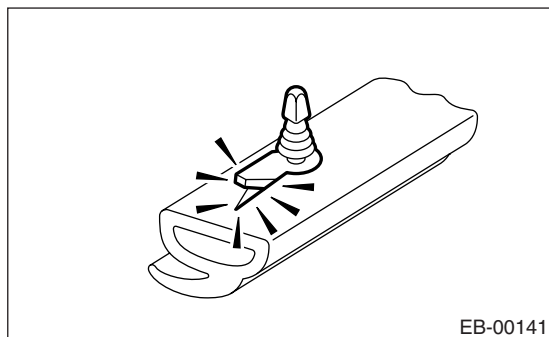
1. REAR GATE PANEL

- 1) Disconnect the ground cable from battery.
- 2) Open the rear gate.
- 3) Remove the rear gate trim. <Ref. to EI-69, REMOVAL, Rear Gate Trim.>
- 4) Remove the rear gate garnish. <Ref. to EI-76, REMOVAL, Rear Gate Garnish.>
- 5) Remove the rear wiper arm. <Ref. to WW-21, REMOVAL, Rear Wiper Arm.>
- 6) Remove the rear wiper motor. <Ref. to WW-22, WAGON MODEL, REMOVAL, Rear Wiper Motor.>
- 7) Remove the rear gate outer handle. <Ref. to SL-36, REMOVAL, Rear Gate Outer Handle.>
- 8) Remove the rear gate latch assembly. <Ref. to SL-37, REMOVAL, Rear Gate Latch Assembly.>
- 9) Detach the roof spoiler. <Ref. to EI-40, REMOVAL, Roof Spoiler.>
- 10) Remove harness clip of each connector from the rear gate panel.
- 11) Remove the weather strip clips (A), and remove the rear gate panel weather strip.

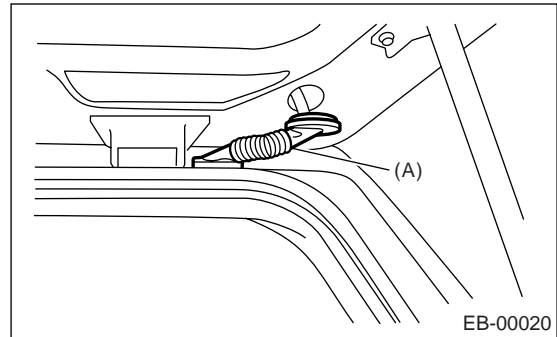


NOTE:

If the weather strip clip is removed with excessive force, the weather strip may be damaged. Be sure to use clip remover to remove.



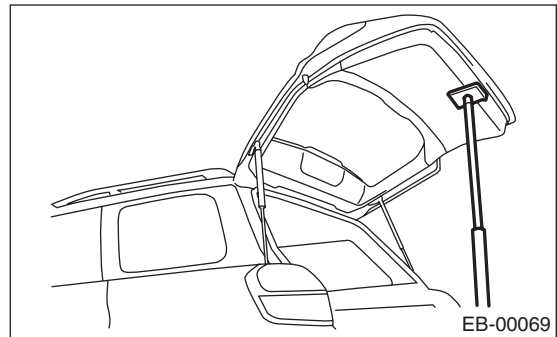
- 12) Remove the rubber duct (A) connection, and pull out the harness and washer hose from the rear gate.



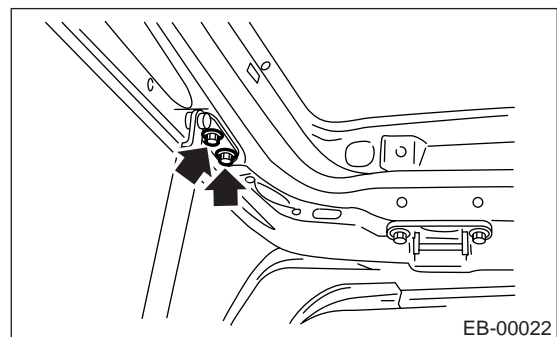
- 13) Before removing the rear gate damper stay, prevent the rear gate from closing using prop or the like.

CAUTION:

If the prop comes off, operators may get injured and vehicle may get damaged. Make sure to support the rear gate with secure material to prevent injury or damage.



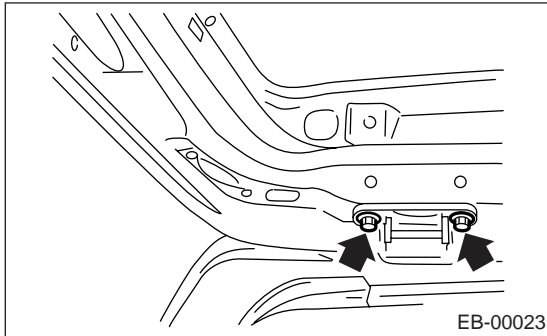
- 14) Remove the mounting bolts of rear gate damper stay.



Rear Gate

EXTERIOR BODY PANELS

15) Remove the rear gate hinge bolts, and remove the rear gate panel.



16) Remove the rear gate hinge from vehicle.

2. REAR GATE DAMPER STAY

CAUTION:

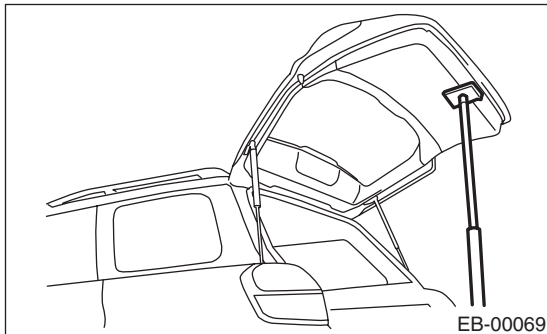
- Do not damage piston rods and oil seals.
- Never disassemble cylinders: They contain gas.

1) Open the rear gate.

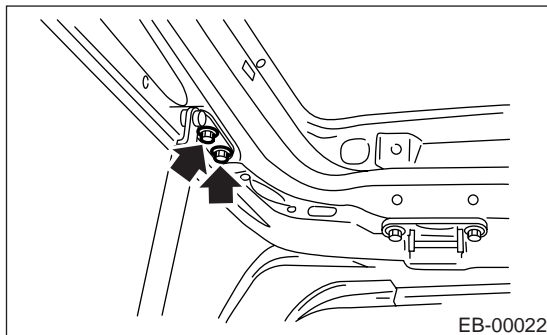
2) Before removing the rear gate damper stay, prevent the rear gate from closing using prop or the like.

CAUTION:

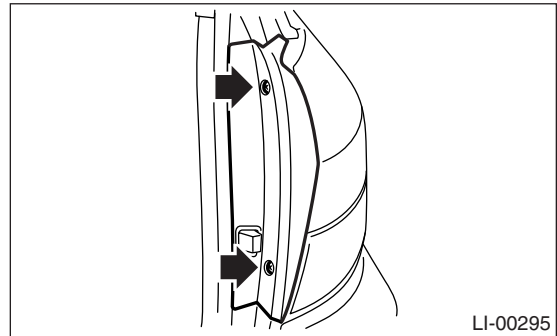
If the prop comes off, operators may get injured and vehicle may get damaged. Make sure to support the rear gate with secure material to prevent injury or damage.



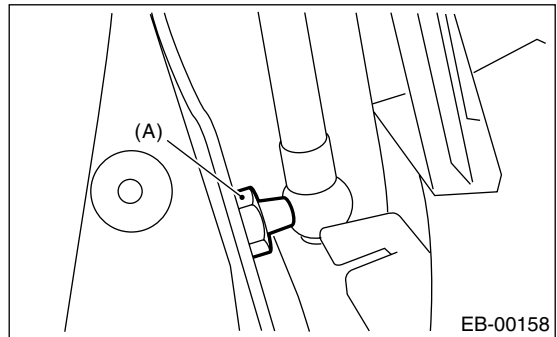
3) Remove the mounting bolts of rear gate damper stay.



4) Remove the clips and then detach the rear combination light covers.



5) Remove the mounting bolt (A), and remove the damper stay.



B: INSTALLATION

1. REAR GATE PANEL

1) Install in the reverse order of removal.

2) Install with attention to make uniform clearance between rear gate panel and body. For the dimension of clearance, refer to "SPECIFICATIONS" in "General Description". <Ref. to EB-2, SPECIFICATION, General Description.>

Tightening torque:

Refer to "COMPONENT" of "General Description".

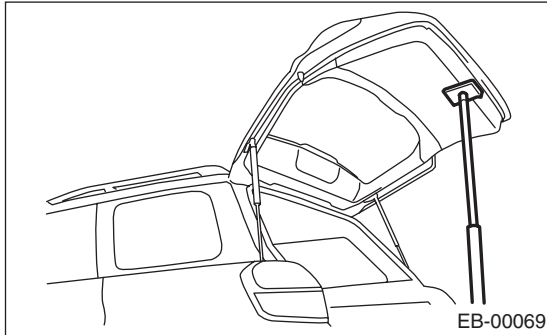
<Ref. to EB-11, REAR GATE PANEL, COMPONENT, General Description.>

2. REAR GATE DAMPER STAY

1) Prevent the rear gate from closing using prop or the like.

CAUTION:

If the prop comes off, operators may get injured and vehicle may get damaged. Make sure to support the rear gate with secure material to prevent injury or damage.



2) Install in the reverse order of removal.

Tightening torque:

19.6 N·m (2.0 kgf-m, 14.5 ft-lb)

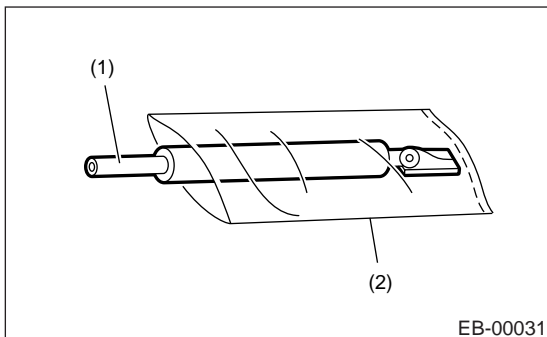
C: DISPOSAL

1. REAR GATE DAMPER STAY

CAUTION:

Gas is colorless, odorless and harmless. However, gas pressure may spray cutting powder or oil. Be sure to wear dust-resistant goggles.

1) Cover with a vinyl sack as shown in the figure.



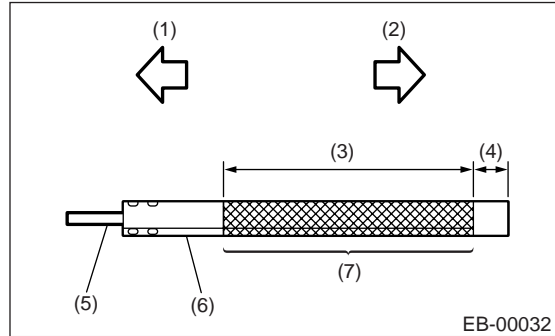
- (1) Rear gate damper stay
- (2) Vinyl sack

NOTE:

Prevent the vinyl sack from being caught by drill cutting edge.

2) Lift the body side slightly with piston rods fully extended, and secure the body side with vise.

Drill a hole in 2 to 3 mm (0.08 to 0.12 in) diameter at a point 10 to 200 mm (0.39 to 7.87 in) from door side, and bleed rear gate damper stay gas completely.



- (1) Body side
- (2) Door side
- (3) 190 mm (7.48 in)
- (4) 10 mm (0.39 in)
- (5) Piston rod
- (6) Cylinder
- (7) Portion to be drilled

Rear Gate

EXTERIOR BODY PANELS
