

BODY SECTION

This service manual has been prepared to provide SUBARU service personnel with the necessary information and data for the correct maintenance and repair of SUBARU vehicles.

This manual includes the procedures for maintenance, disassembling, reassembling, inspection and adjustment of components and diagnostics for guidance of experienced mechanics.

Please peruse and utilize this manual fully to ensure complete repair work for satisfying our customers by keeping their vehicle in optimum condition. When replacement of parts during repair work is needed, be sure to use SUBARU genuine parts.

All information, illustration and specifications contained in this manual are based on the latest product information available at the time of publication approval.

HVAC SYSTEM (HEATER, VENTILATOR AND A/C)	AC
HVAC SYSTEM (AUTO A/C) (DIAGNOSTICS)	AC(diag)
AIRBAG SYSTEM	AB
AIRBAG SYSTEM (DIAGNOSTICS)	AB(diag)
SEAT BELT SYSTEM	SB
LIGHTING SYSTEM	LI
WIPER AND WASHER SYSTEMS	WW
ENTERTAINMENT	ET
COMMUNICATION SYSTEM	COM
GLASS/WINDOWS/MIRRORS	GW
BODY STRUCTURE	BS
INSTRUMENTATION/DRIVER INFO	IDI
SEATS	SE
SECURITY AND LOCKS	SL
SUNROOF/T-TOP/CONVERTIBLE TOP (SUNROOF)	SR
EXTERIOR/INTERIOR TRIM	EI
EXTERIOR BODY PANELS	EB

BODY SECTION

CRUISE CONTROL SYSTEM

CC

**CRUISE CONTROL SYSTEM
(DIAGNOSTICS)**

CC(diag)

IMMOBILIZER (DIAGNOSTICS)

IM(diag)

LAN SYSTEM (DIAGNOSTICS)

LAN(diag)

SEATS

SE

	Page
1. General Description	2
2. Front Seat	7
3. Rear Seat	14
4. Seat Heater System	19

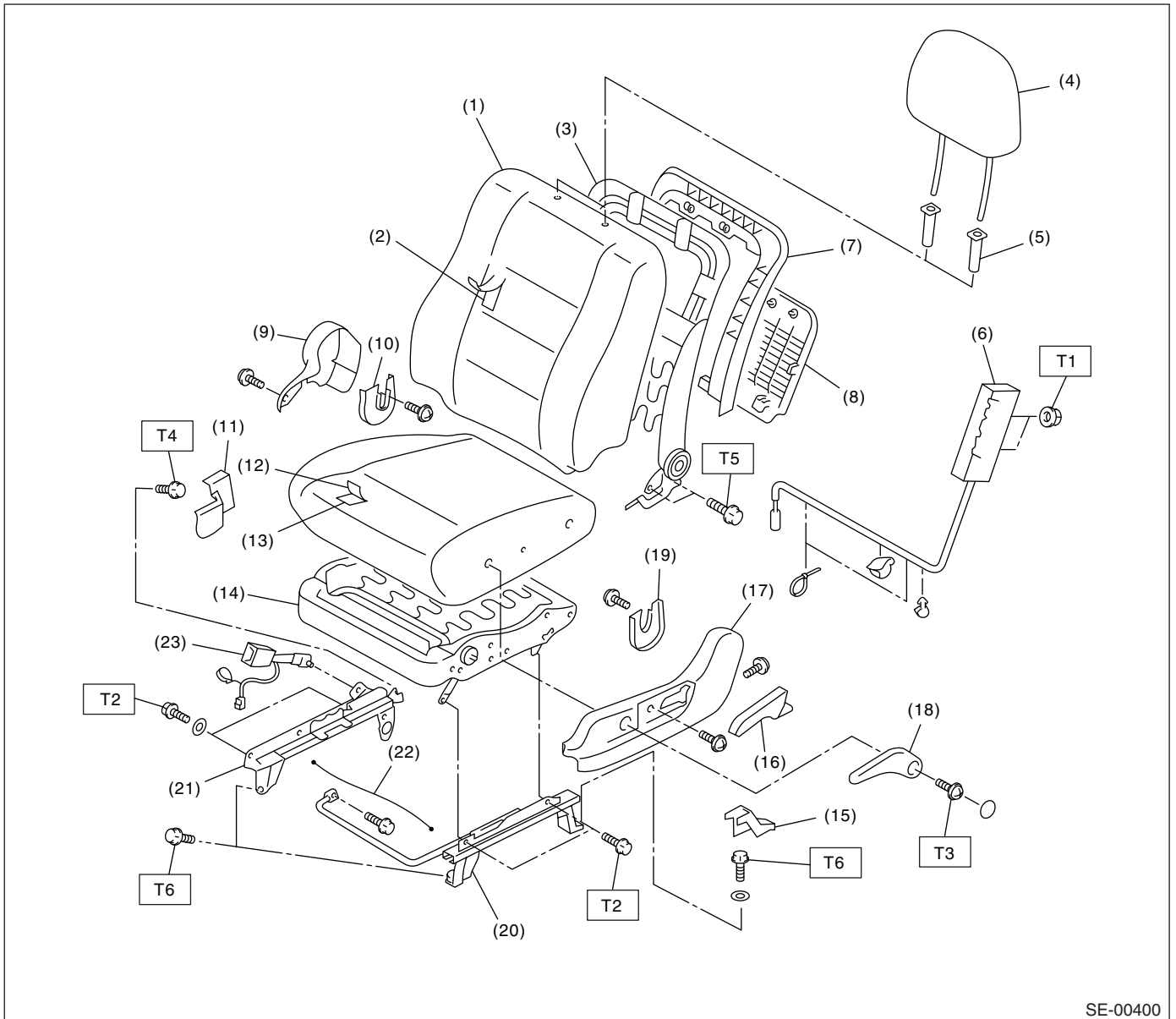
General Description

SEATS

1. General Description

A: COMPONENT

1. FRONT SEAT (STANDARD SEAT)



SE-00400

- | | | |
|----------------------------|------------------------------|-----------------|
| (1) Backrest cover | (12) Seat cushion cover | (23) Inner belt |
| (2) Backrest pad | (13) Seat cushion pad | |
| (3) Backrest frame ASSY | (14) Seat cushion frame ASSY | |
| (4) Headrest ASSY | (15) Bolt cover outer | |
| (5) Headrest lock bushing | (16) Reclining lever | |
| (6) Side airbag module | (17) Seat hinge outer cover | |
| (7) Cover frame | (18) Lifter lever | |
| (8) Backrest back cover | (19) Hinge inner cover LH | |
| (9) Seat hinge inner cover | (20) Outer slide rail | |
| (10) Hinge inner cover RH | (21) Inner slide rail | |
| (11) Bolt cover inner | (22) Connecting wire | |

Tightening torque: N·m (kgf·m, ft·lb)

T1: 6 (0.61, 4.43)

T2: 10 (1.02, 7.38)

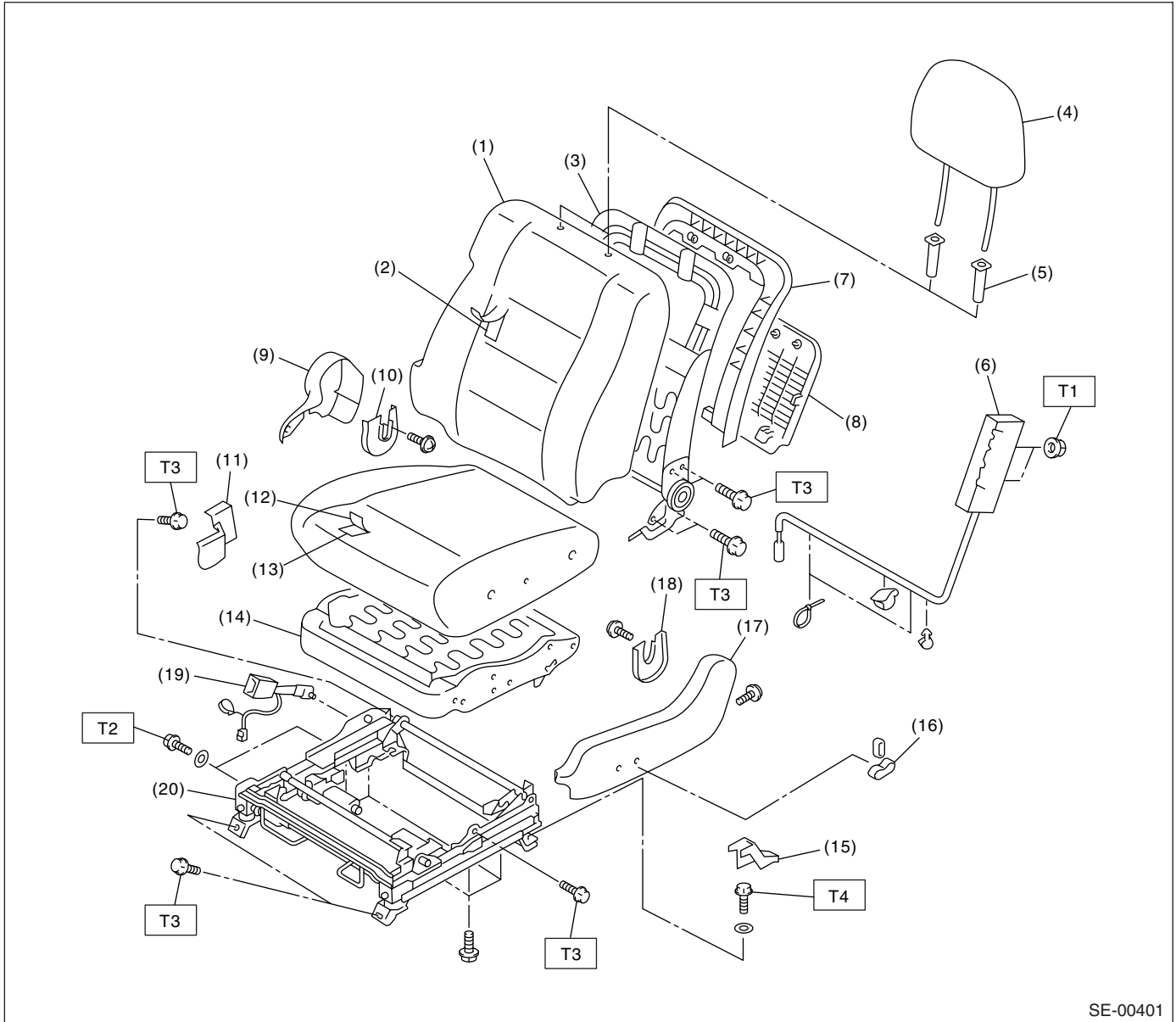
T3: 22 (2.24, 16.2)

T4: 30 (3.06, 22.1)

T5: 52 (5.30, 38.4)

T6: 53 (5.40, 39.1)

2. FRONT SEAT (POWER SEAT)



- | | | |
|----------------------------|------------------------------|---------------------|
| (1) Backrest cover | (10) Hinge inner cover RH | (19) Inner belt |
| (2) Backrest pad | (11) Bolt cover inner | (20) Seat rail ASSY |
| (3) Backrest frame ASSY | (12) Seat cushion cover | |
| (4) Headrest ASSY | (13) Seat cushion pad | |
| (5) Headrest lock bushing | (14) Seat cushion frame ASSY | |
| (6) Side airbag module | (15) Bolt cover outer | |
| (7) Cover frame | (16) Seat switch | |
| (8) Backrest back cover | (17) Seat hinge outer cover | |
| (9) Seat hinge inner cover | (18) Hinge inner cover LH | |

Tightening torque: N·m (kgf·m, ft·lb)

T1: 6 (0.61, 4.43)

T2: 22 (2.24, 16.2)

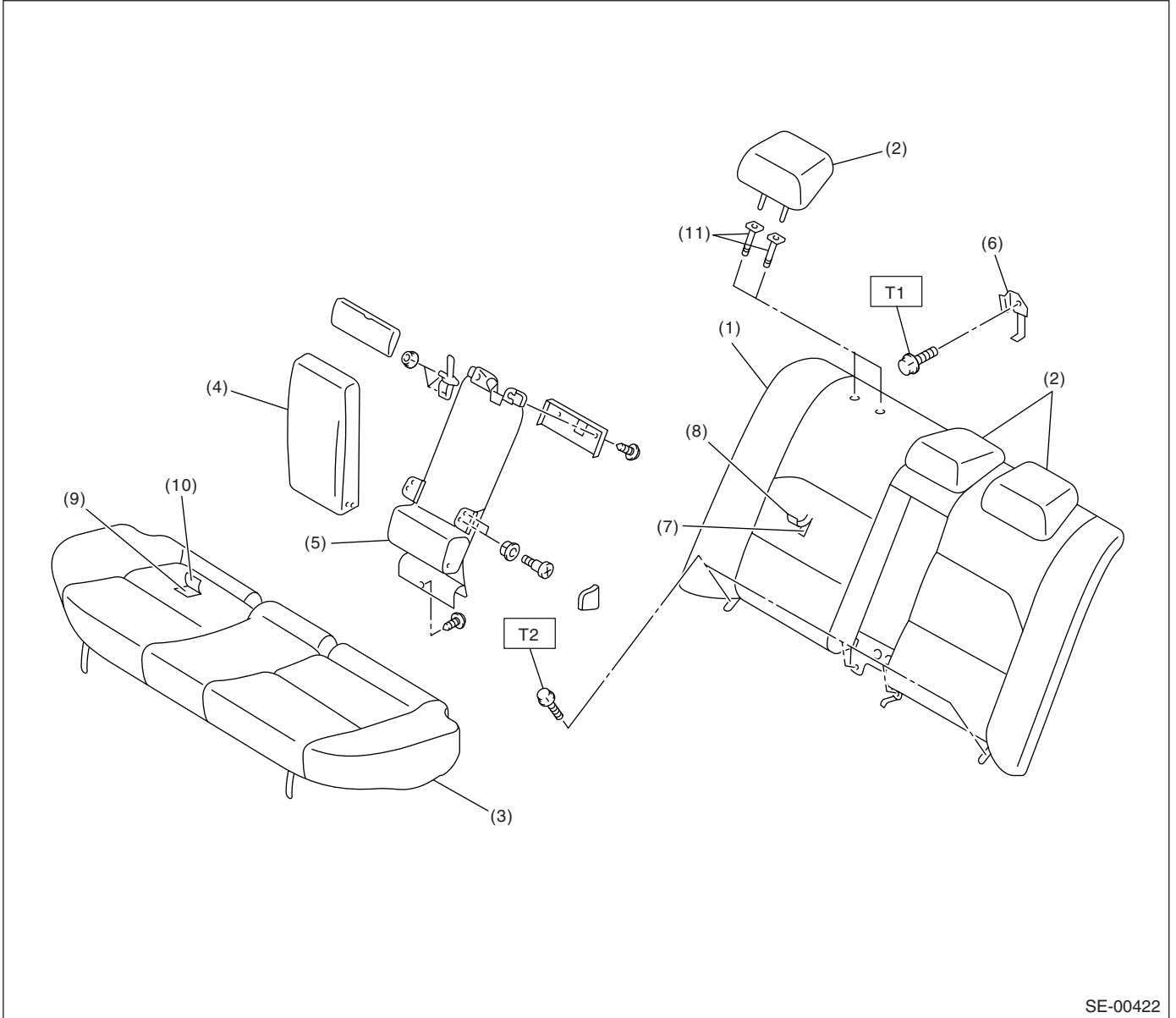
T3: 52 (5.30, 38.4)

T4: 53 (5.40, 39.1)

General Description

SEATS

3. REAR SEAT (SEDAN MODEL)



SE-00422

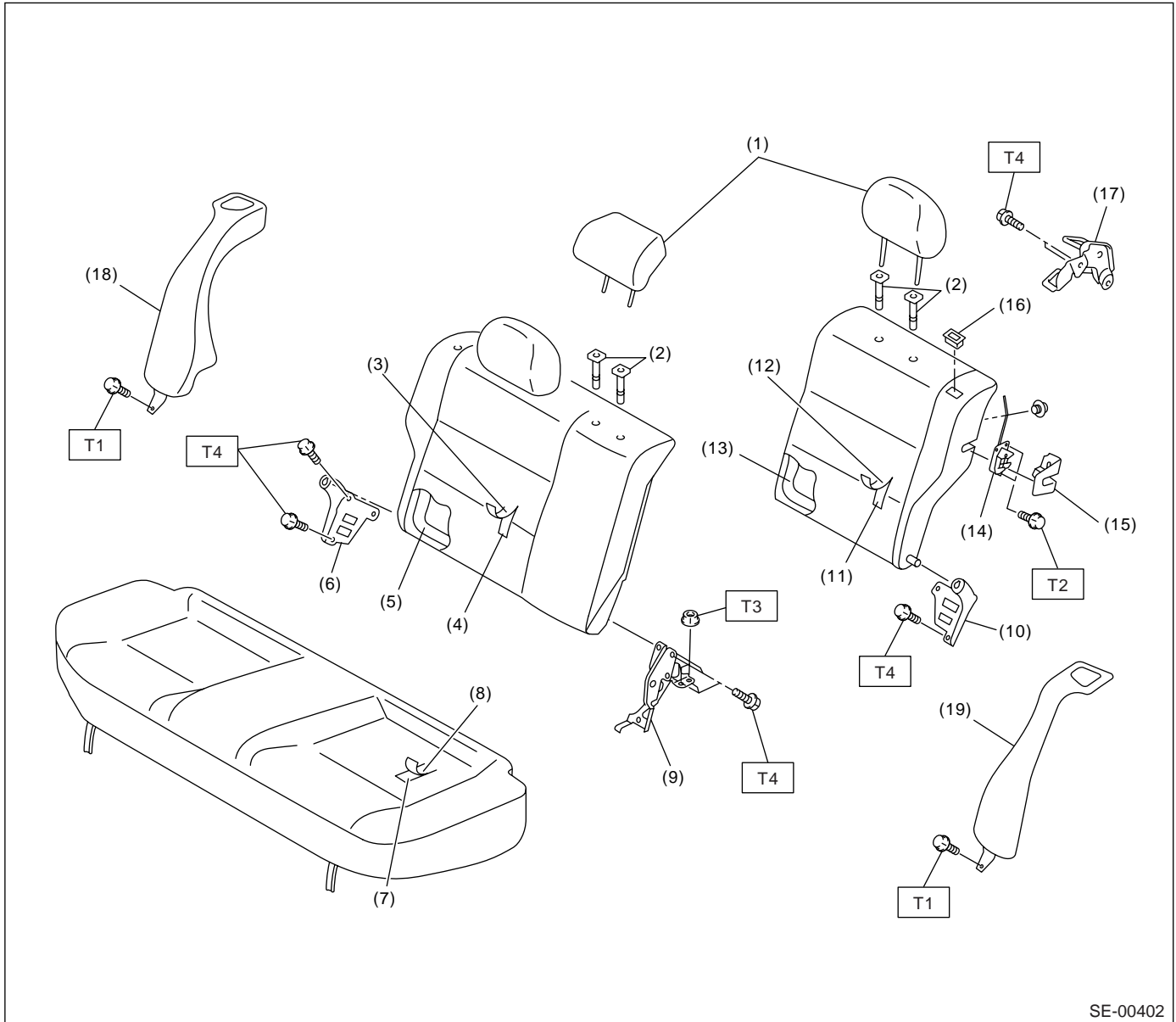
- | | |
|--------------------------|-----------------------------------|
| (1) Backrest | (7) Backrest pad ASSY |
| (2) Headrest | (8) Backrest cover ASSY |
| (3) Cushion | (9) Rear pad & cushion frame ASSY |
| (4) Armrest | (10) Rear cushion cover |
| (5) Center through frame | (11) Headrest bushing |
| (6) Hook | |

Tightening torque: N·m (kgf·m, ft·lb)

T1: 10 (1.02, 7.38)

T2: 24.5 (2.5, 18.1)

4. REAR SEAT (WAGON MODEL)



SE-00402

- | | |
|------------------------|----------------------------|
| (1) Headrest | (10) Hinge ASSY LH |
| (2) Headrest bushing | (11) Backrest pad LH |
| (3) Backrest cover RH | (12) Backrest cover LH |
| (4) Backrest pad RH | (13) Backrest frame LH |
| (5) Backrest frame RH | (14) Seat back latch |
| (6) Hinge ASSY RH | (15) Seat back latch cover |
| (7) Seat cushion pad | (16) Holder & button |
| (8) Seat cushion cover | (17) Striker |
| (9) Hinge ASSY CTR | (18) Backrest shoulder RH |

- (19) Backrest shoulder LH

Tightening torque: N·m (kgf·m, ft·lb)

T1: 13.7 (1.40, 10.1)

T2: 22 (2.24, 16.2)

T3: 24.5 (2.5, 18.1)

T4: 33 (3.3, 24.6)

General Description

SEATS

B: CAUTION

When removing the front seat from a side airbag loaded vehicle, follow cautions given in the airbag section.
<Ref. to AB-4, CAUTION, General Description.>

C: PREPARATION TOOL

1. GENERAL TOOL

TOOL NAME	REMARKS
Long nose pliers	Used for removing the hog ring.
Hog ring pliers	Used for installing the hog ring.
TORX® T50	Used for removing and installing the inner seat belt.

2. Front Seat

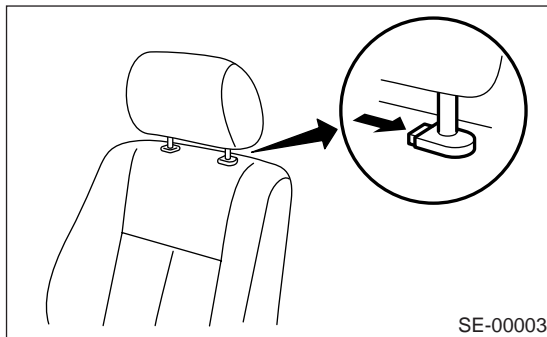
A: REMOVAL

1) Disconnect the ground cable from battery, and wait for more than 20 seconds before starting work.

CAUTION:

The airbag system is fitted with a backup power source. After disconnecting the battery ground cable, the airbag may deploy if you do not wait for 20 seconds before starting the repair of airbag system.

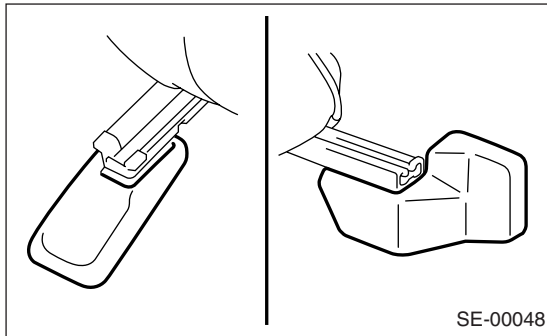
2) While pressing the headrest lock button, remove the headrest.



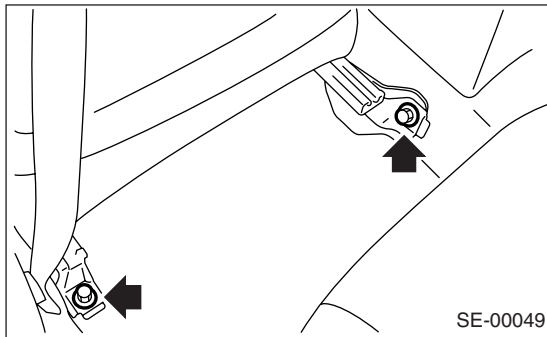
3) Tilt the backrest forward.

4) Move the seat to full front end.

5) Remove the bolt cover at the rear side of slide rail.

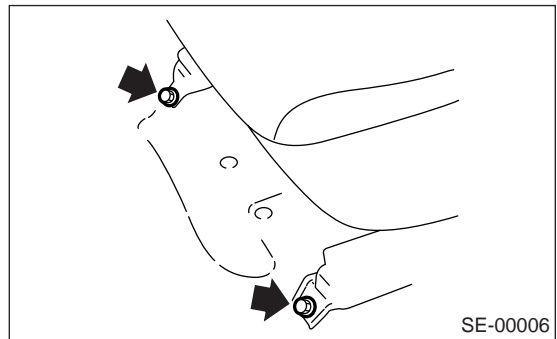


6) Remove the two bolts at the rear side of slide rail.



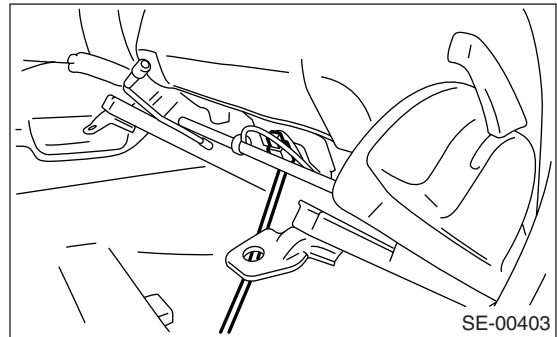
7) Move the seat to full rear end.

8) Remove the two bolts at the front side of slide rail.



9) Disconnect the connector under the seat.

- Seat belt warning light connector
- Side airbag connector (model with side airbag)
- Seat heater connector (model with seat heater)



10) Remove the front seat from vehicle.

B: INSTALLATION

Install in the reverse order of removal.

Tightening torque:

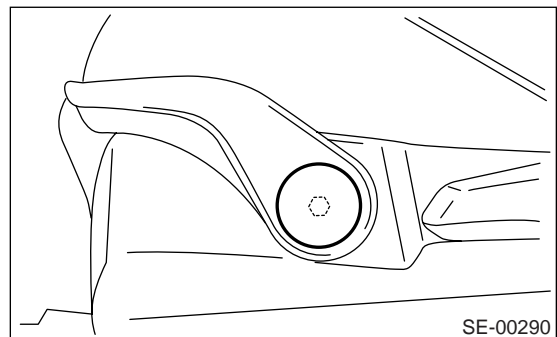
Refer to "COMPONENT" of "General Description". <Ref. to SE-2, FRONT SEAT (STANDARD SEAT), COMPONENT, General Description.>

C: DISASSEMBLY

1. STANDARD SEAT

1) Remove the seat from vehicle. <Ref. to SE-7, REMOVAL, Front Seat.>

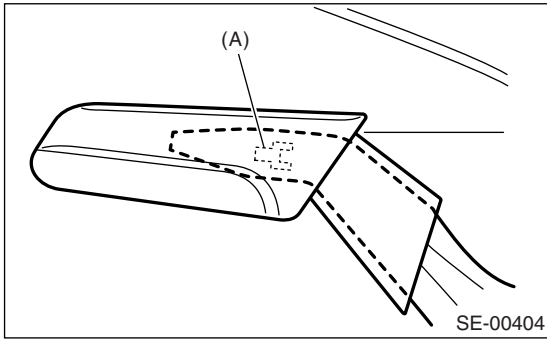
2) Remove the seat lifter cover using a flat tip screwdriver and loosen the inner bolt to remove seat lifter lever.



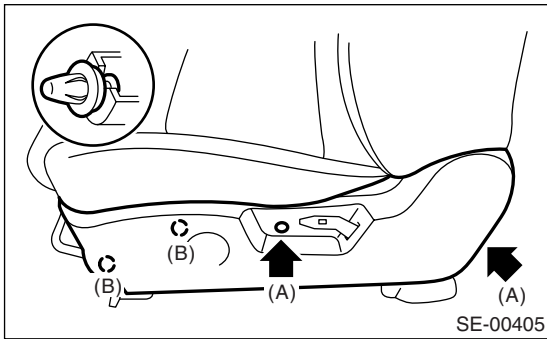
Front Seat

SEATS

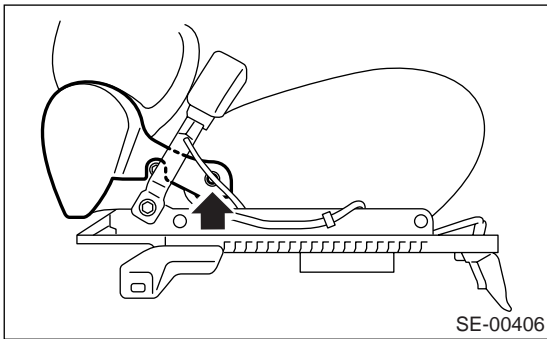
3) Remove the hook (A) and detach reclining lever cover.



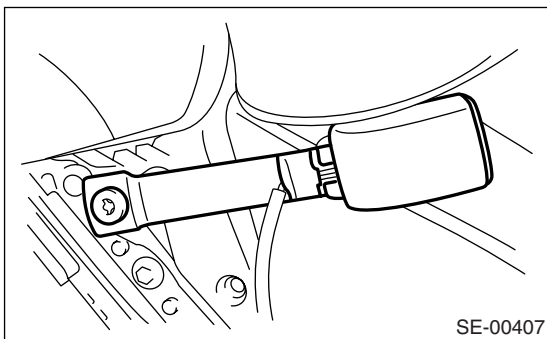
4) Remove the screws (A) and clips (B), and then detach the seat hinge outer cover.



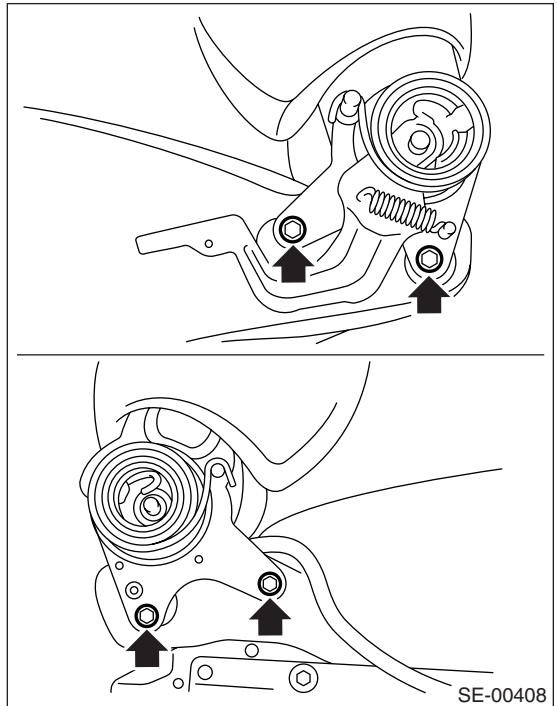
5) Loosen the screws to detach seat hinge inner cover.



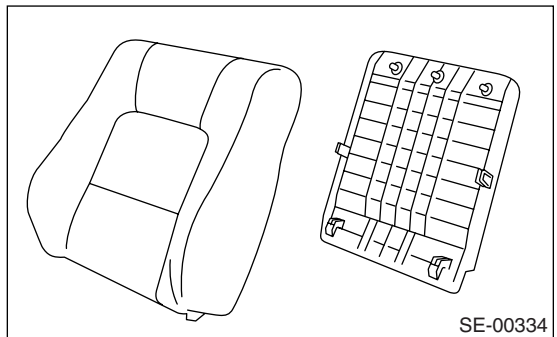
6) Remove the TORX® bolt, and then remove the inner belt.



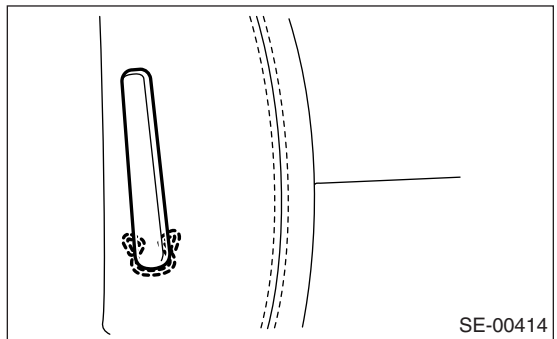
7) Remove the two bolts from reclining hinge on each side.



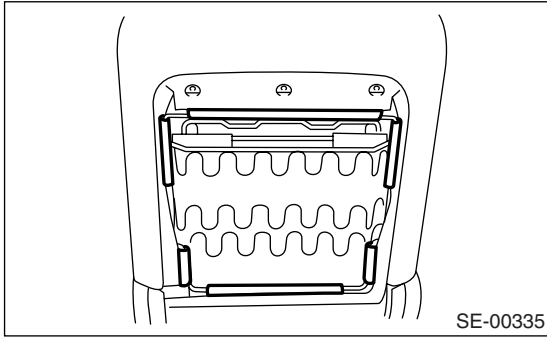
8) Remove the clips and hooks, and then detach the backrest back cover.



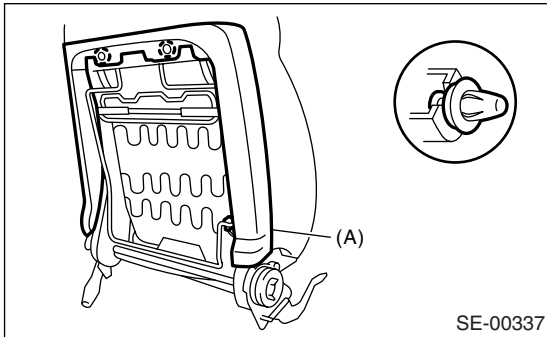
9) Remove the lock clip, and then remove the lumbar support lever.



10) Remove the hooks at the rear side of backrest.



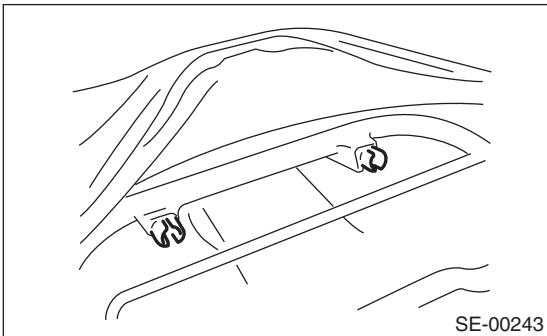
11) Remove the cover frame (A).



12) Remove the headrest lock bushing.

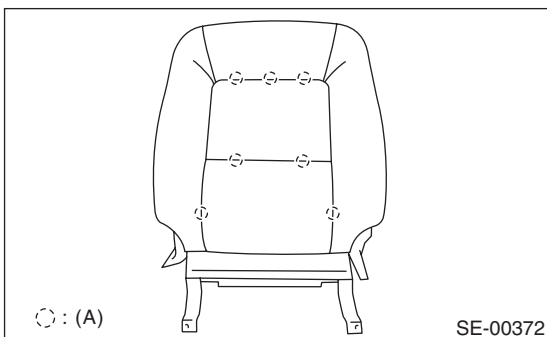
NOTE:

Push outside to remove it from the inside of seat.

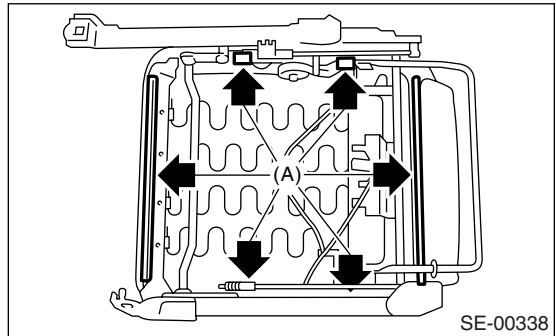


13) Pull out the backrest frame assembly.

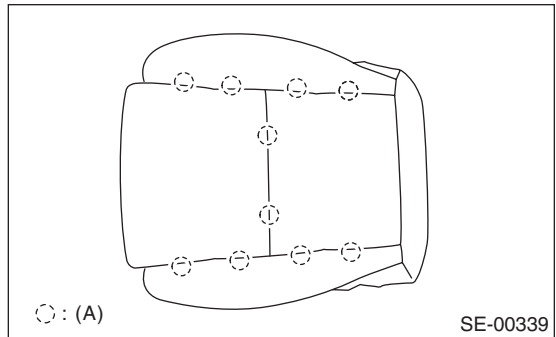
14) Remove the hog rings (A) on the front side of backrest, and then remove the backrest cover from backrest.



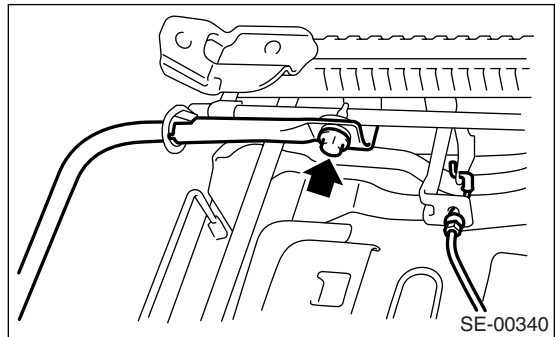
15) Remove the hooks (A), and then remove the seat cushion frame assembly.



16) Remove the hog rings (A), and then remove the seat cushion cover from seat cushion pad.



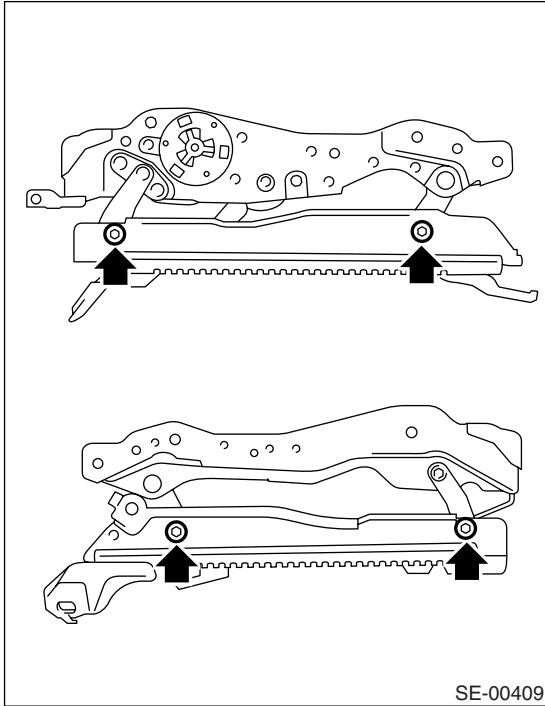
17) Remove the bolt of sliding adjustment bar and connecting wire.



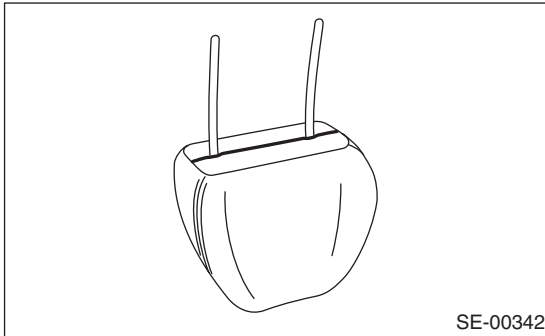
Front Seat

SEATS

18) Remove the bolts, and then remove the slide rail.



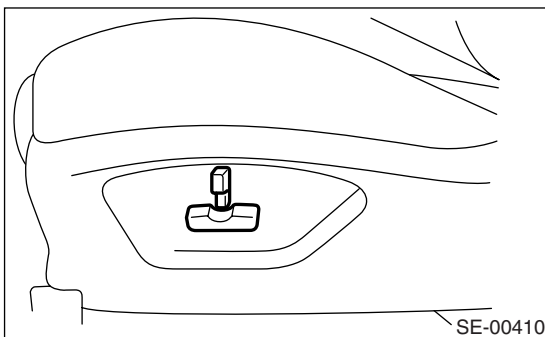
19) Remove the hooks and hog rings at the bottom of headrest, and then remove the headrest cover from headrest.



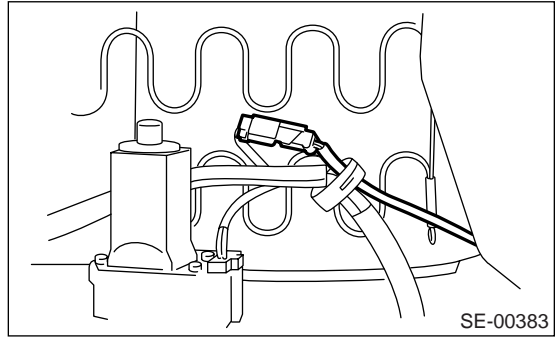
2. POWER SEAT

1) Remove the seat from vehicle. <Ref. to SE-7, REMOVAL, Front Seat.>

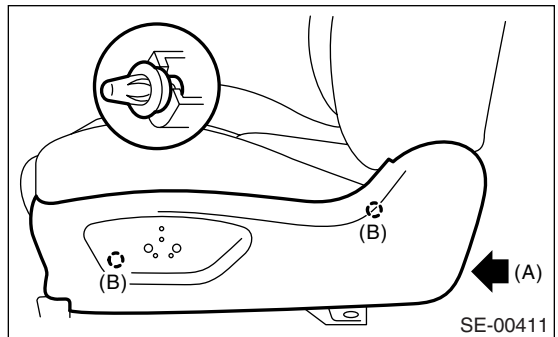
2) Remove the seat switch knob.



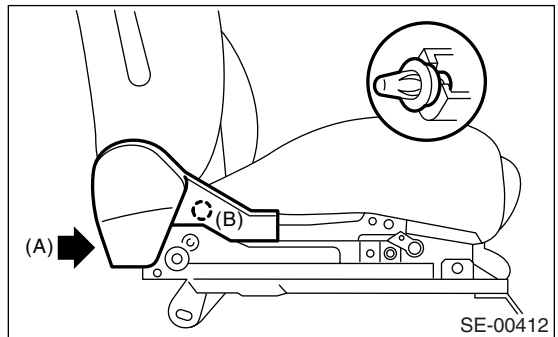
3) Disconnect the connector of reclining motor from the back of seat cushion.



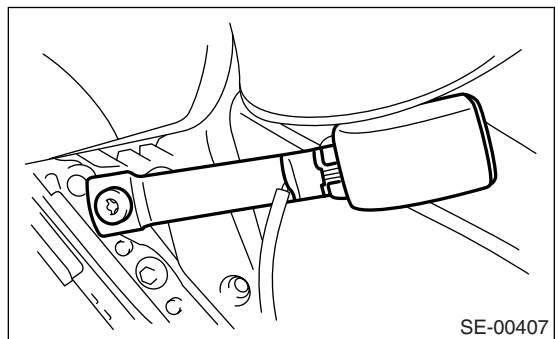
4) Remove the screw (A) and clips (B), and then disconnect the seat switch connector to remove seat hinge outer cover.



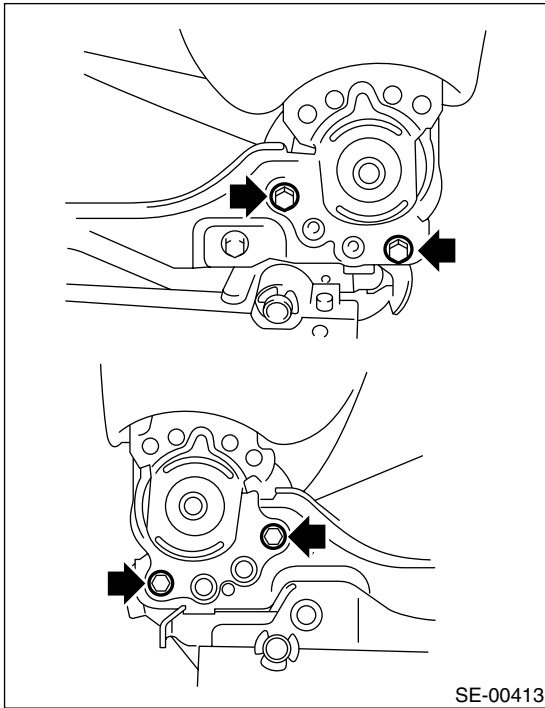
5) Remove the screw (A) and clip (B), and then remove the seat hinge inner cover.



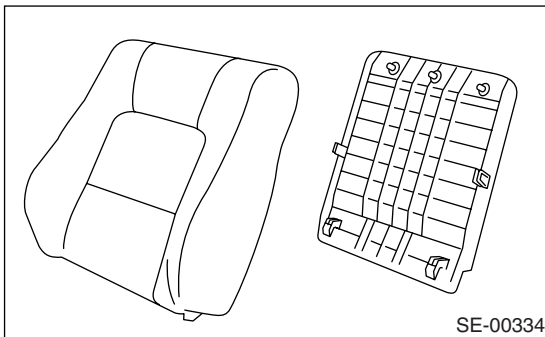
6) Remove the TORX® bolt, and then remove the inner belt.



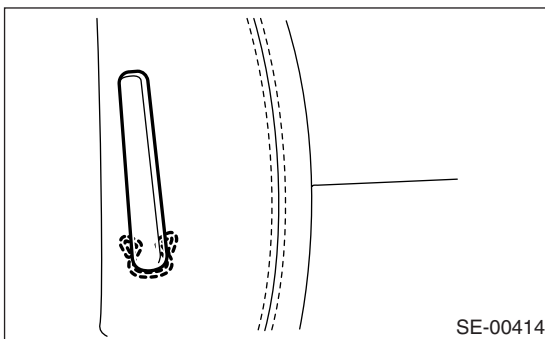
7) Remove the two bolts from the reclining hinge on each left and right side.



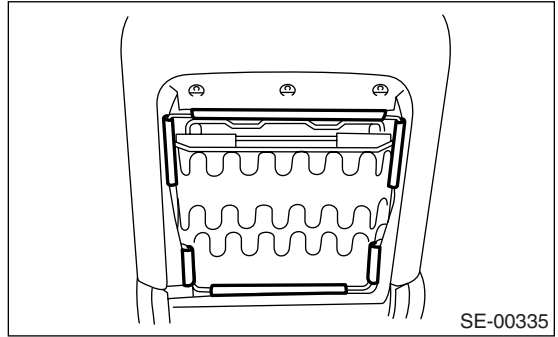
8) Remove the clips and hooks, and then detach the backrest back cover.



9) Remove the lock clip, and then remove the lumbar support lever.

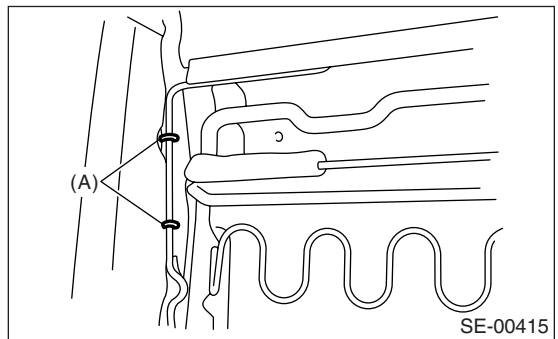


10) Remove the hooks at the rear side of backrest.

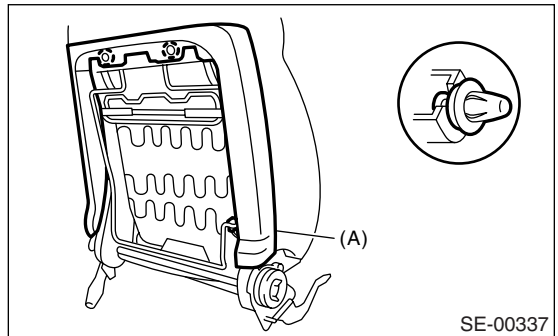


NOTE:

For the seat with side airbag, the airbag module installation side is secured with hog rings (A).



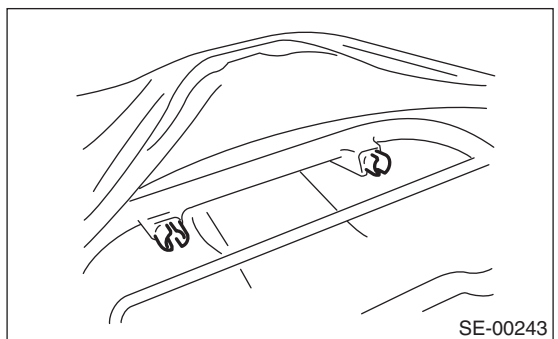
11) Remove the cover frame (A).



12) Remove the headrest lock bushing.

NOTE:

Push outside to remove it from the inside of seat.

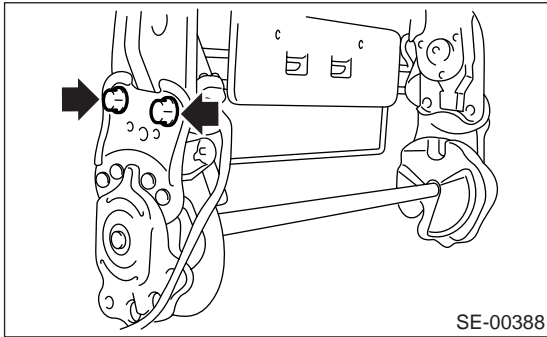


13) Pull out the backrest frame assembly.

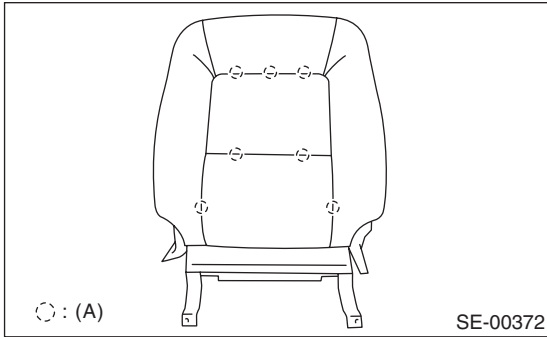
Front Seat

SEATS

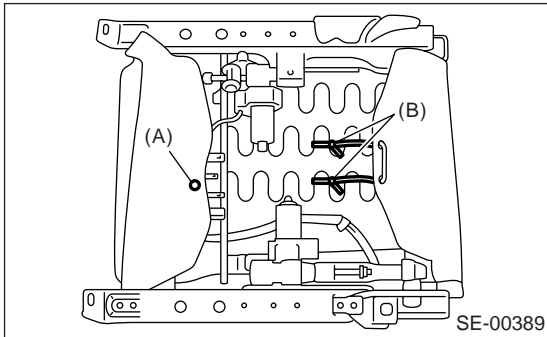
14) Remove the two bolts on each left and right side, and then remove the reclining motor assembly.



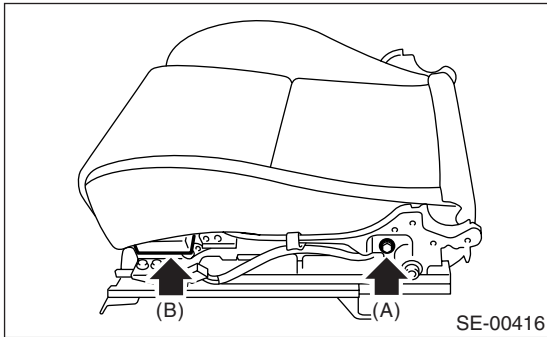
15) Remove the hog rings (A) on the front side of backrest, and then remove the backrest cover from backrest.



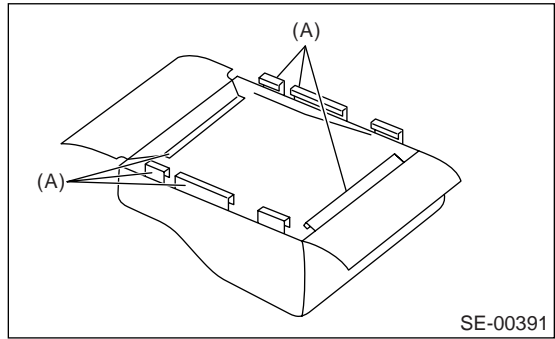
16) Remove the clip (A) and straps (B) on the back of seat cushion.



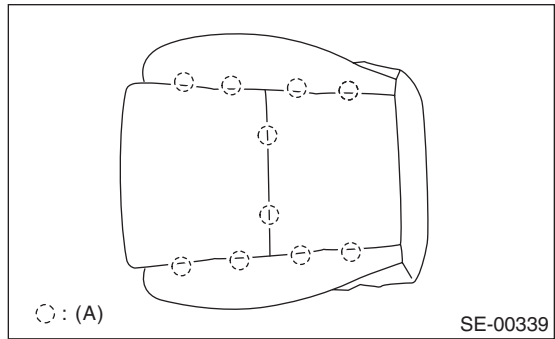
17) Remove the bolt (A) and hook (B) on left and right side, and then remove the seat cushion frame from seat rail assembly.



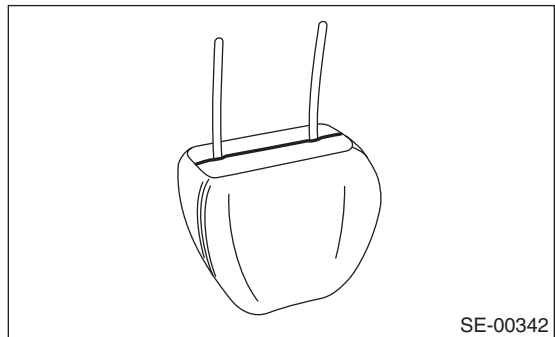
18) Remove the hooks (A), and then remove the seat cushion from seat cushion frame.



19) Remove the hog rings (A), and then remove the seat cushion cover from seat cushion pad.



20) Remove the hooks and hog rings at the bottom of headrest, and then remove the headrest cover from headrest.



D: ASSEMBLY

1. STANDARD SEAT

Assemble in the reverse order of disassembly.

2. POWER SEAT

Assemble in the reverse order of disassembly.

CAUTION:

When the backrest cover is not installed securely, the side airbag module may not be deployed properly, therefore keep strictly to the following procedure.

- Be careful not to stain or damage the backrest cover during assembly.
- Always use new hog rings.

- Secure the hog ring using hog ring pliers.
- Install the hog rings to the specified points securely and make sure that no wrinkle or twisting on the backrest cover.

Tightening torque:

Refer to “**COMPONENT**” of “**General Description**”. <Ref. to SE-2, FRONT SEAT (STANDARD SEAT), **COMPONENT**, **General Description**.>

E: INSPECTION

1. SEAT COVER

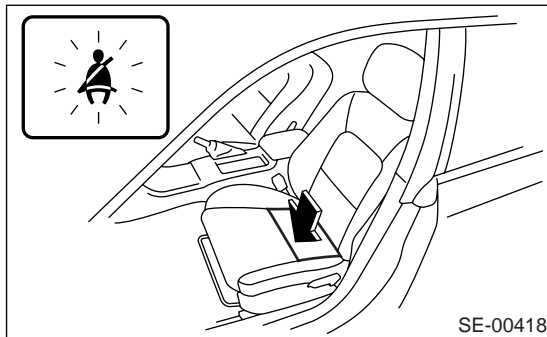
Check that no tear or fray on the backrest cover and seat cushion cover.

NOTE:

When the side airbag equipped model has tear or fray on the door side of backrest cover, the side airbag may not be deployed properly. Replace it with new one in such a case.

2. SEATING SENSOR

Make sure the passenger's seat belt warning light illuminates when applying load to the rear surface of passenger's seat cushion. If not, replace the seat cushion pad with a new one.



Rear Seat

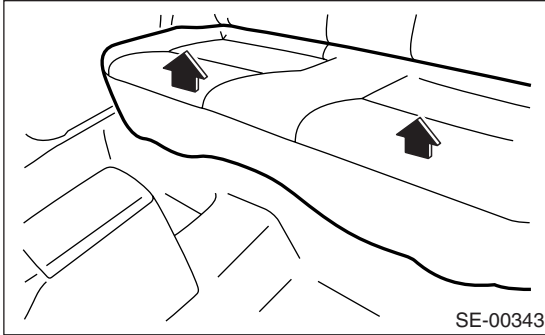
SEATS

3. Rear Seat

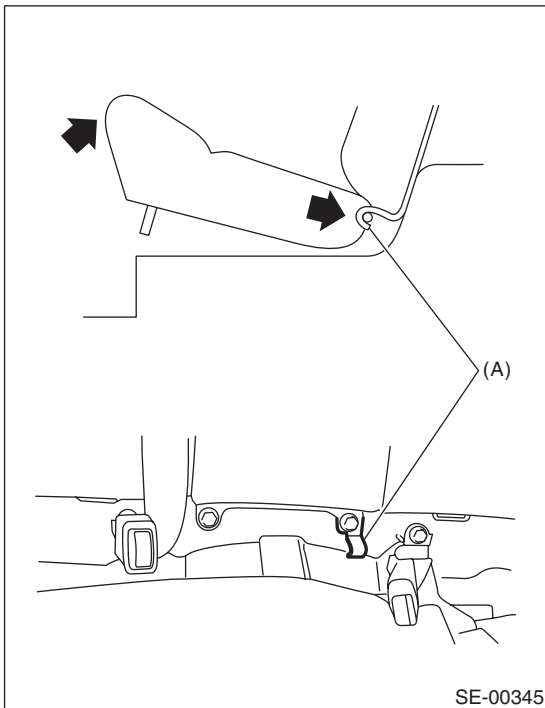
A: REMOVAL

1. SEDAN MODEL

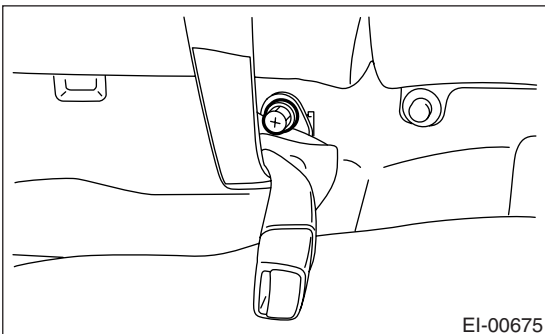
1) Remove the two hooks while lifting up the rear seat cushion.



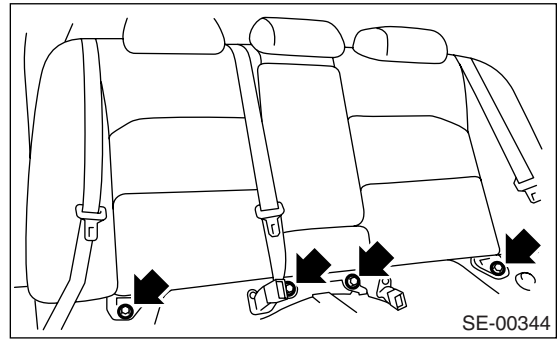
2) Remove the hook (A) by pushing it backward while lifting up the front side of seat cushion to detach seat cushion.



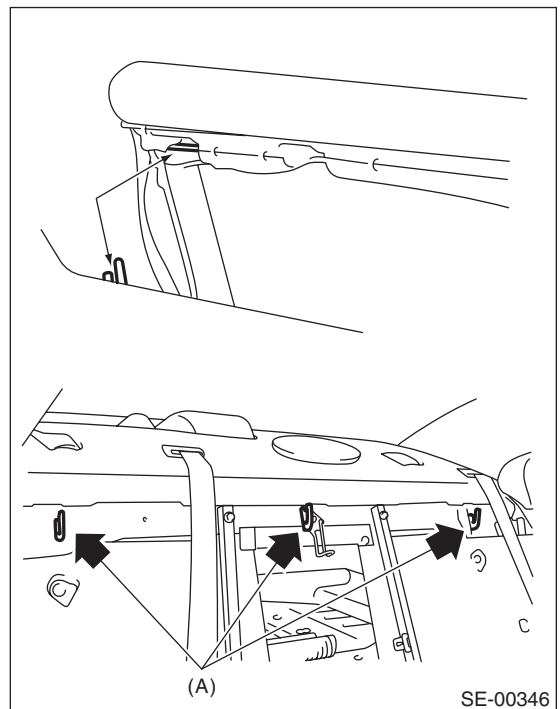
3) Remove the lower anchor bolt of rear center seat belt.



4) Remove the bolts which secure the bottom of backrest.



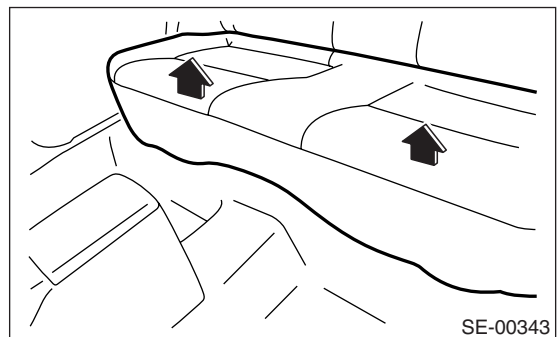
5) Remove the anchor part on backrest side from the hook on body side (A) while lifting up the backrest to detach it from vehicle.



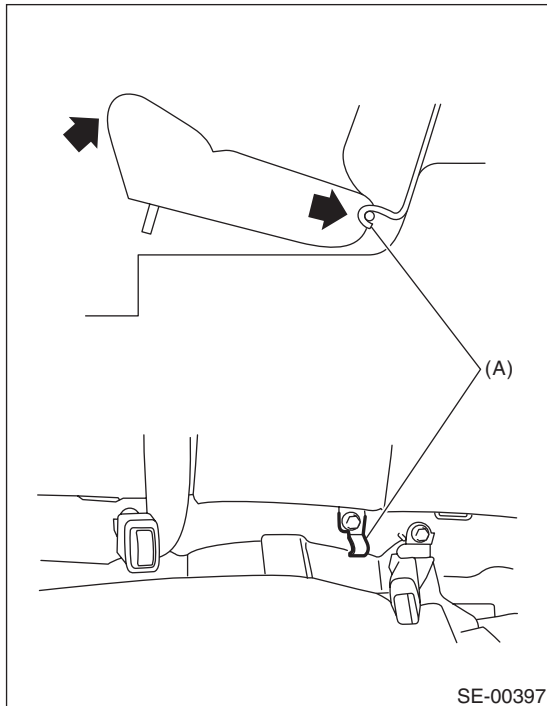
2. WAGON MODEL

1) Disconnect the ground cable from battery.

2) Remove the two hooks while lifting up the rear seat cushion.



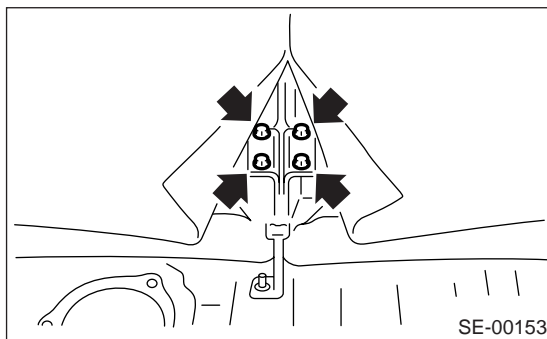
3) Remove the hook (A) by pushing it backward while lifting up the front side of seat cushion to detach seat cushion.



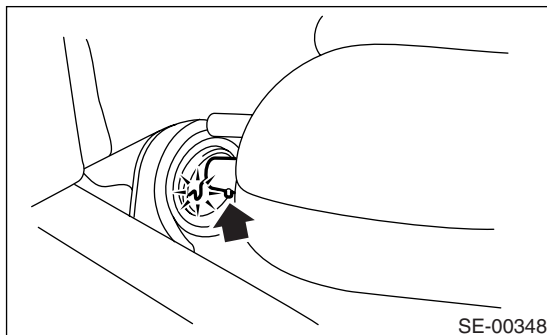
4) Remove the headrest, and then tilt the backrest forward.

5) Remove the luggage floor box. <Ref. to EI-74, REMOVAL, Luggage Floor Box.>

6) Remove the hinge assembly CTR bolts.



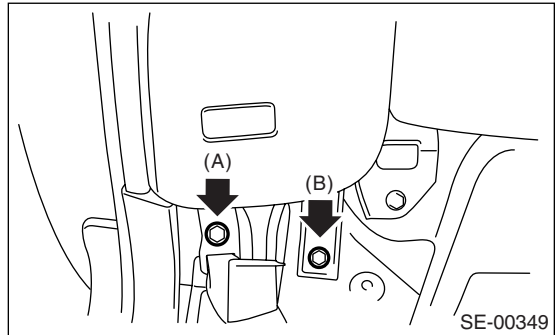
7) Remove the backrest from hinge assembly LH (hinge assembly RH).



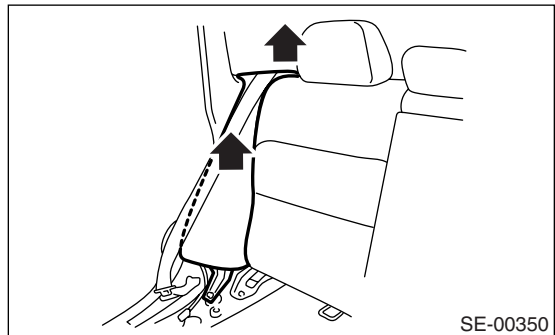
NOTE:

The backrest cannot be detached when the hinge assembly side does not mate with the backrest pin position.

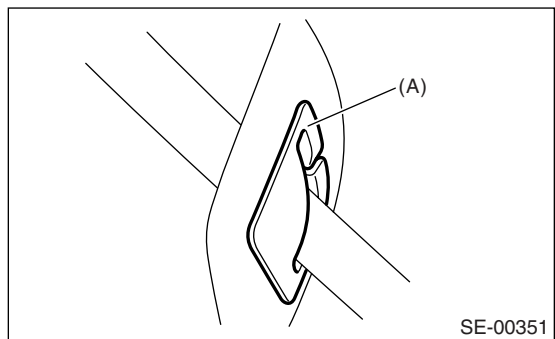
8) Remove the lower anchor bolt (A) of outer seat belt and backrest shoulder bolt (B).



9) Remove the backrest shoulder with lifting it up.



10) Remove the belt cover (A) from backrest shoulder cover, and then pull out the seat belt.



B: INSTALLATION

1. SEDAN MODEL

Install in the reverse order of removal.

NOTE:

- After installing the backrest, make sure that each seat belt operates normally.
- Make sure that they are secured on each hook of vehicle side.

Rear Seat

SEATS

Tightening torque:

Refer to "COMPONENT" of "General Description". <Ref. to SE-4, REAR SEAT (SEDAN MODEL), COMPONENT, General Description.>

2. WAGON MODEL

Install in the reverse order of removal.

NOTE:

- After installing the backrest, make sure that each seat belt operates normally.
- Make sure that they are secured on each hook of vehicle side.

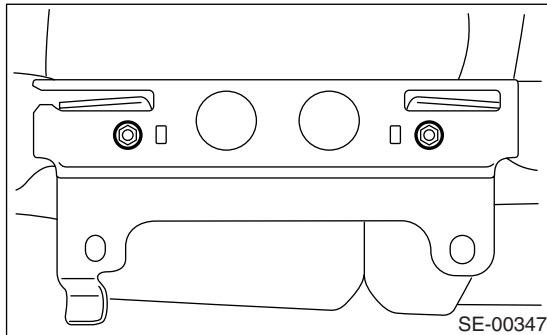
Tightening torque:

Refer to "COMPONENT" of "General Description". <Ref. to SE-5, REAR SEAT (WAGON MODEL), COMPONENT, General Description.>

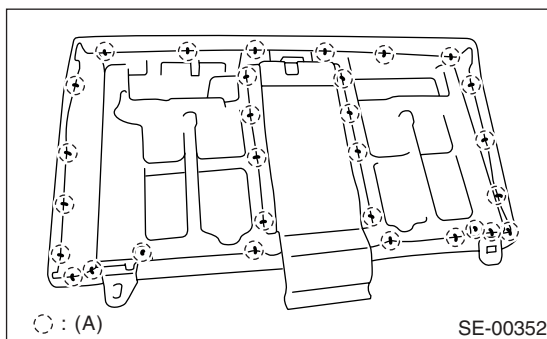
C: DISASSEMBLY

1. SEDAN MODEL

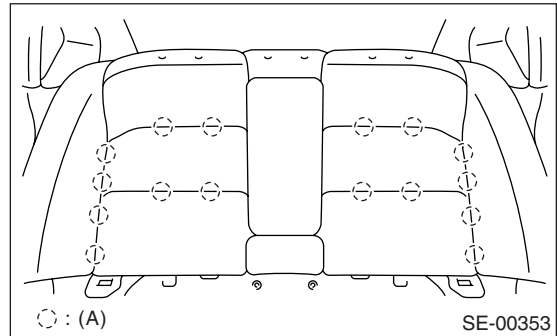
- 1) Remove the rear seat. <Ref. to SE-14, SEDAN MODEL, REMOVAL, Rear Seat.>
- 2) Remove the headrest.
- 3) Remove the nuts, and then detach the trunk through assembly.



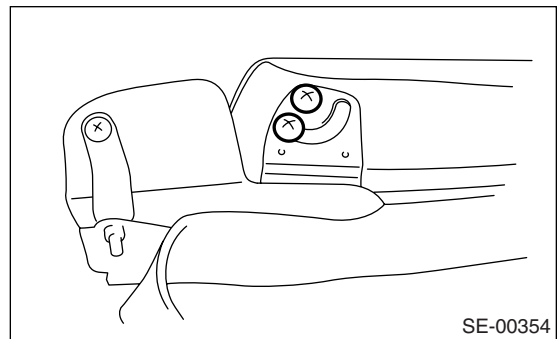
- 4) Remove the hog rings (A) on the rear side of backrest.



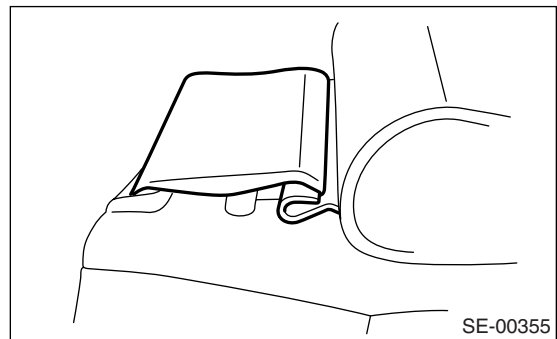
- 5) Remove the hog rings (A) on the front side of backrest.



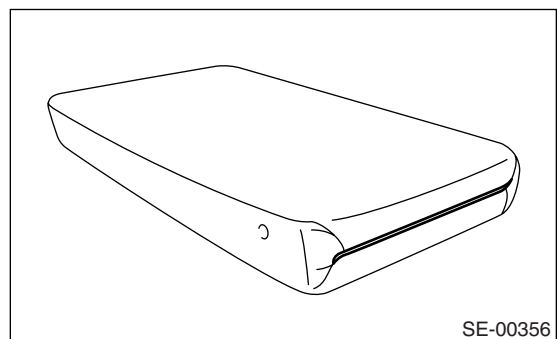
- 6) Remove both sides of armrest hinge covers, and loosen the screws to remove armrest.



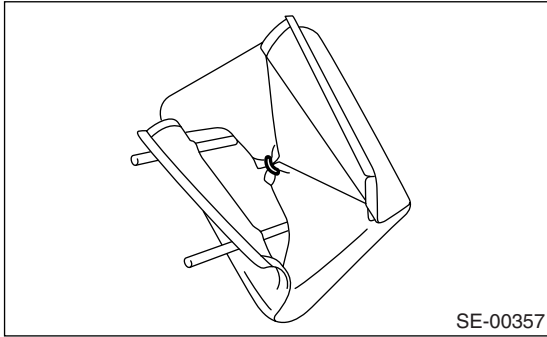
- 7) Remove the hook, and then detach the center through cover.



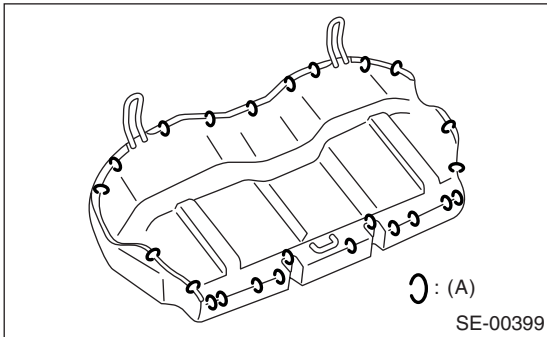
- 8) Remove the hook, and then remove the armrest cover.



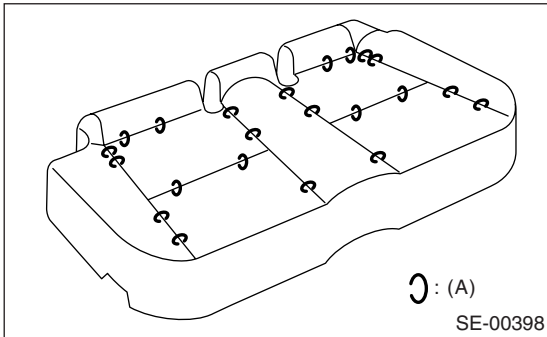
9) Remove the hook and hog ring, and then remove the headrest cover.



10) Remove the hog rings (A) on the rear side of seat cushion.



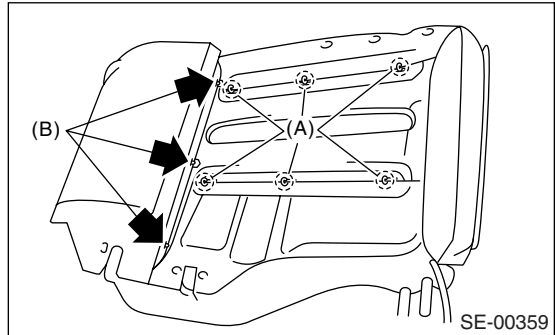
11) Remove the hog rings (A), and then remove the seat cushion cover.



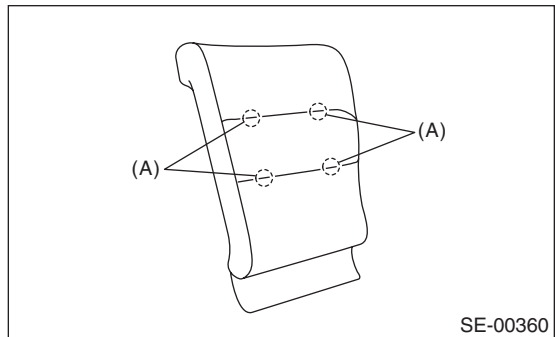
2. WAGON MODEL

1) Remove the rear seat. <Ref. to SE-14, WAGON MODEL, REMOVAL, Rear Seat.>

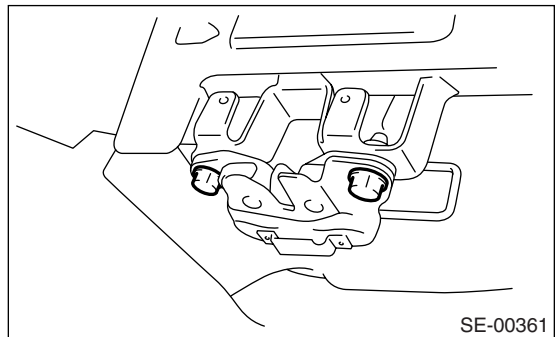
2) Remove the hooks at the bottom of backrest assembly LH, and then turn over the backrest cover to remove the hog rings (A) and hooks (B).



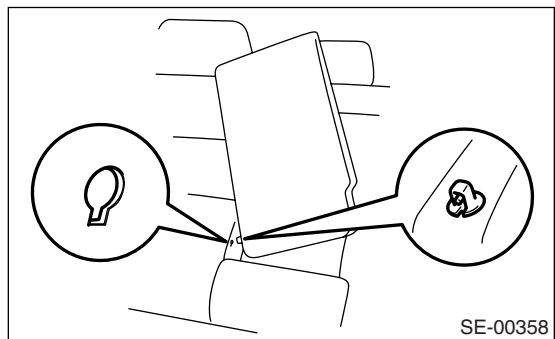
3) Remove the hog rings (A) on the front side of backrest, and then remove the backrest cover.



4) Remove the bolts, and then remove the backrest latch.



5) Loosen the screws to remove the armrest from backrest assembly RH.



Rear Seat

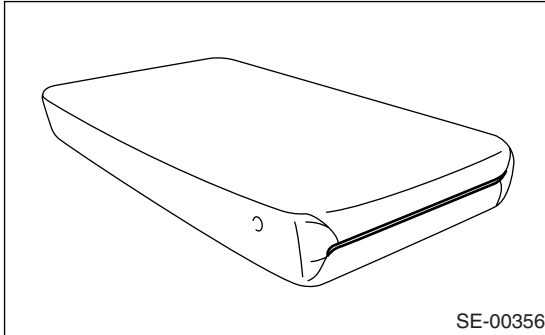
SEATS

NOTE:

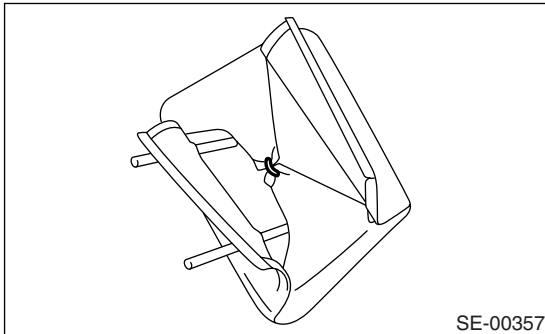
Armrest cannot be removed when backrest assembly RH side does not mate with armrest side pin position.

6) After this operation, refer to the step 2) to disassemble backrest assembly RH.

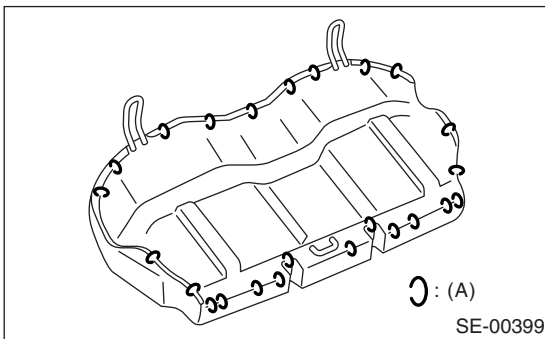
7) Remove the hook, and then remove the armrest cover.



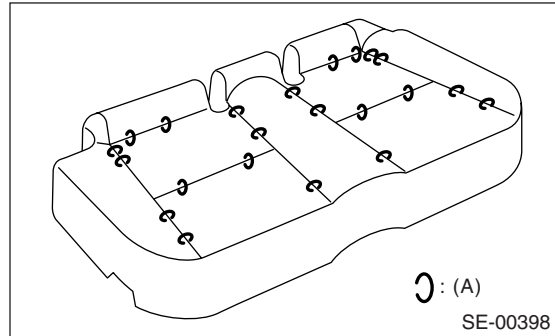
8) Remove the hook and hog ring, and then remove the headrest cover.



9) Remove the hog rings (A) on the rear side of seat cushion.



10) Remove the hog rings (A), and then remove the seat cushion cover.



D: ASSEMBLY

1. SEDAN MODEL

Assemble in the reverse order of disassembly.

NOTE:

- Do not contaminate or damage the cover.
- While installing the hog rings, prevent the seat from getting wrinkled.

CAUTION:

- Always use new hog rings.
- Secure the hog ring using hog ring pliers.
- Install the hog rings to the specified points securely and be sure to prevent backrest cover from wrinkle or twisting.

2. WAGON MODEL

Assemble in the reverse order of disassembly.

NOTE:

- Do not contaminate or damage the cover.
- While installing the hog rings, prevent the seat from getting wrinkled.

CAUTION:

- Always use new hog rings.
- Secure the hog ring using hog ring pliers.
- Install the hog rings to the specified points securely and be sure to prevent backrest cover from wrinkle or twisting.

E: INSPECTION

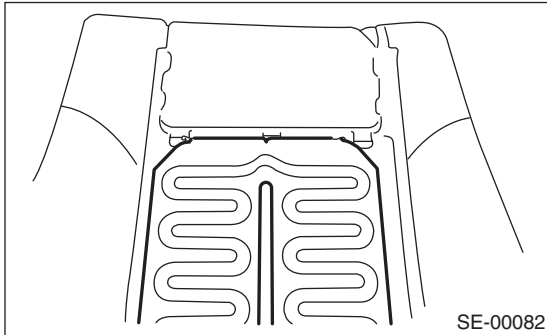
Check that no tear or fray on the seat cover.

4. Seat Heater System

A: REMOVAL

1. SEAT HEATER UNIT

- 1) Remove the front seats. <Ref. to SE-7, REMOVAL, Front Seat.>
- 2) Remove the backrest cover and seat cushion cover of front seat. <Ref. to SE-7, DISASSEMBLY, Front Seat.>
- 3) Remove the hog ring, and then remove the seat heater unit.



2. SEAT HEATER SWITCH

- 1) Remove the console box. <Ref. to EI-53, REMOVAL, Console Box.>
- 2) Remove the seat heater switch from console box.

B: INSTALLATION

1. SEAT HEATER UNIT

Install in the reverse order of removal.

2. SEAT HEATER SWITCH

Install in the reverse order of removal.

Seat Heater System

SEATS
