

CHASSIS SECTION

This service manual has been prepared to provide SUBARU service personnel with the necessary information and data for the correct maintenance and repair of SUBARU vehicles.

This manual includes the procedures for maintenance, disassembling, reassembling, inspection and adjustment of components and diagnostics for guidance of experienced mechanics.

Please peruse and utilize this manual fully to ensure complete repair work for satisfying our customers by keeping their vehicle in optimum condition. When replacement of parts during repair work is needed, be sure to use SUBARU genuine parts.

All information, illustration and specifications contained in this manual are based on the latest product information available at the time of publication approval.

FRONT SUSPENSION	FS
REAR SUSPENSION	RS
WHEEL AND TIRE SYSTEM	WT
DIFFERENTIALS	DI
TRANSFER CASE	TC
DRIVE SHAFT SYSTEM	DS
ABS	ABS
ABS (DIAGNOSTICS)	ABS(diag)
BRAKE	BR
PARKING BRAKE	PB
POWER ASSISTED SYSTEM (POWER STEERING)	PS

ABS

ABS

	Page
1. General Description	2
2. ABS Control Module and Hydraulic Control Unit (ABSCM&H/U).....	6
3. ABS Sequence Control	10
4. Front ABS Wheel Speed Sensor.....	13
5. Rear ABS Wheel Speed Sensor	16
6. Front Tone Wheel	19
7. Rear Tone Wheel	20
8. G Sensor	21
9. Lateral G Sensor	23

General Description

ABS

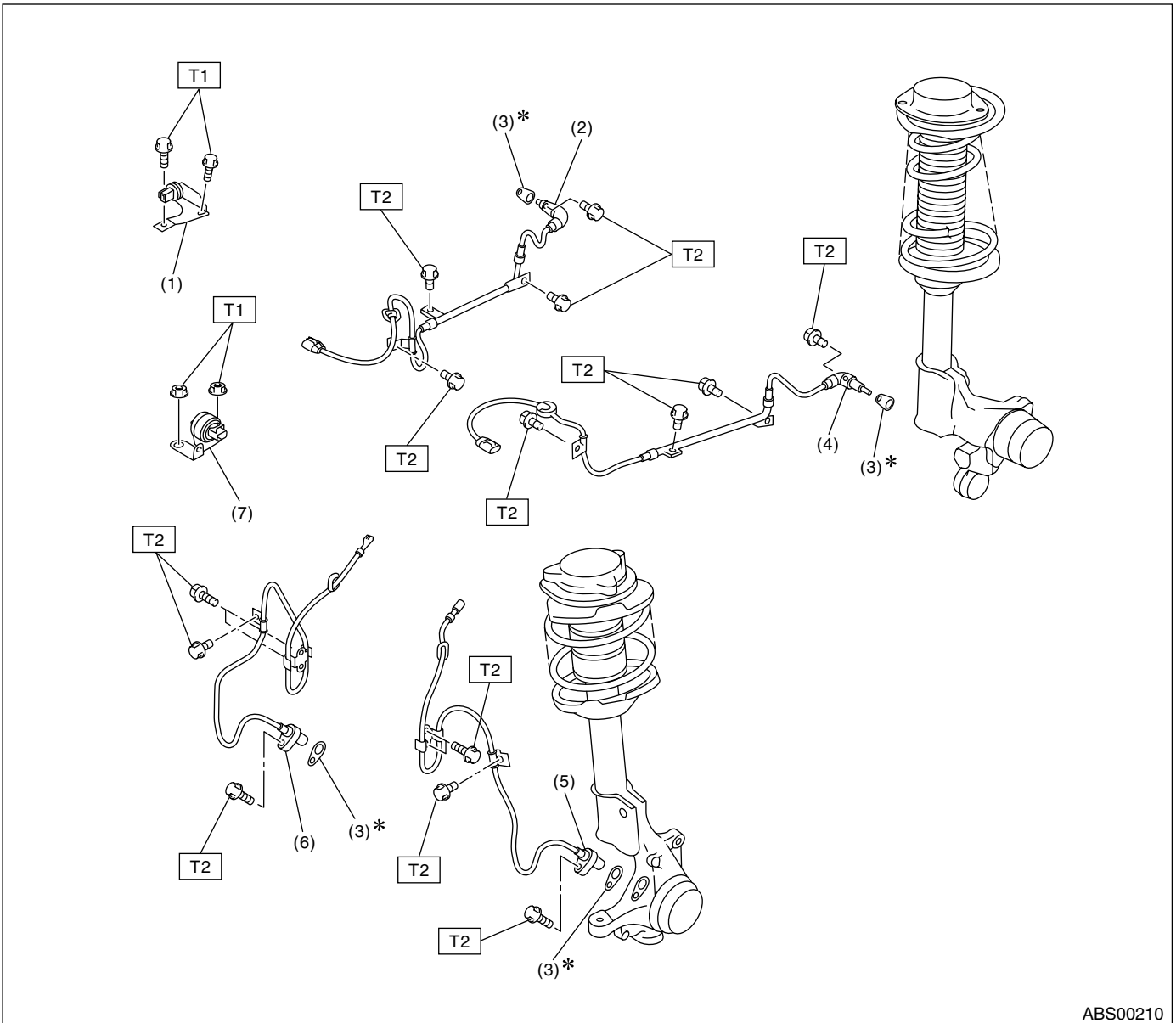
1. General Description

A: SPECIFICATIONS

Item			Specification or remarks	
ABS wheel speed sensor	ABS wheel speed sensor gap	Front	0.3 — 0.8 mm (0.012 — 0.031 in)	
		Rear	0.7 — 1.2 mm (0.028 — 0.047 in)	
	ABS wheel speed sensor resistance	Front	1.25±0.25 kΩ	
		Rear	1.15±0.115 kΩ	
	Marks of harness	Front	RH	White
			LH	Yellow
Rear		RH	Light blue	
		LH	Brown	
G sensor	G sensor voltage		2.3±0.2 V	
Lateral G sensor (STi model)	Lateral G sensor voltage		2.5±0.2 V	
ABSCM&H/U marks	FWD	AT model	CK	
		MT model	CL	
	AWD	AT model	CU	
		MT model (Except Sedan STi model)	CV	
		MT model (Sedan STi model without driver's control center differential)	CX	
		MT model (Sedan STi model with driver's control center differential)	CY	

B: COMPONENT

1. SENSOR



ABS00210

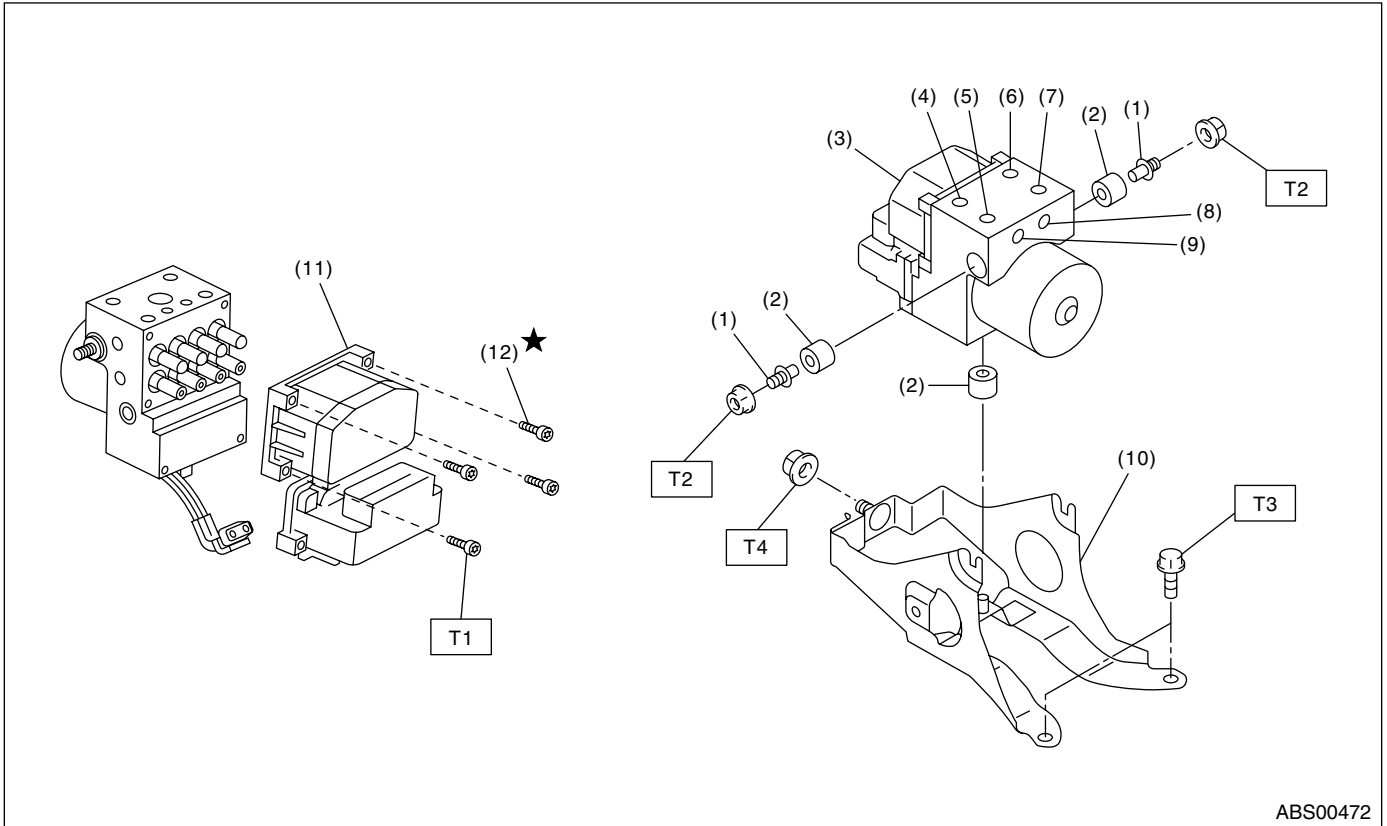
- | | |
|------------------------------------|-------------------------------------|
| (1) G sensor | (5) Front ABS wheel speed sensor LH |
| (2) Rear ABS wheel speed sensor RH | (6) Front ABS wheel speed sensor RH |
| (3) Adjusting spacer | (7) Lateral G sensor (STi model) |
| (4) Rear ABS wheel speed sensor LH | |

Tightening torque: N·m (kgf·m, ft·lb)
T1: 18 (1.8, 13.0)
T2: 33 (3.3, 24)

General Description

ABS

2. ABS CONTROL MODULE AND HYDRAULIC CONTROL UNIT (ABSCM&H/U)



ABS00472

- | | |
|---|---------------------------------|
| (1) Stud bolt | (7) Primary inlet |
| (2) Damper | (8) Rear-LH outlet |
| (3) ABS control module and hydraulic control unit (ABSCM&H/U) | (9) Rear-RH outlet |
| (4) Front-LH outlet | (10) Bracket |
| (5) Secondary inlet | (11) ABS control module (ABSCM) |
| (6) Front-RH outlet | (12) Screw |

Tightening torque: N·m (kgf·m, ft·lb)

T1: 2.65 (0.27, 1.95)

T2: 18 (1.8, 13.0)

T3: 33 (3.3, 24)

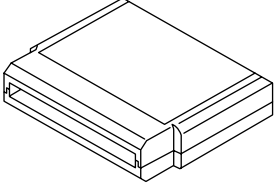

T4: 38 (3.8, 27.5)

C: CAUTION

- Before disconnecting electrical connectors of sensors or units, be sure to disconnect the ground cable from battery.
- Wear working clothing, including a cap, protective goggles, and protective shoes during operation.
- Before removal, installation or disassembly, be sure to clarify the failure. Avoid unnecessary removal, installation, disassembly, and replacement.
- Be careful not to burn your hands, because each part in the vehicle is hot after running.
- Be sure to tighten fasteners including bolts and nuts to the specified torque.
- Place shop jacks or rigid racks at the specified points.

D: PREPARATION TOOL

1. SPECIAL TOOLS

ILLUSTRATION	TOOL NUMBER	DESCRIPTION	REMARKS
 ST24082AA230	24082AA230	CARTRIDGE	Troubleshooting for electrical systems.
 ST22771AA030	22771AA030	SUBARU SELECT MONITOR KIT	Troubleshooting for electrical systems. <ul style="list-style-type: none"> • English: 22771AA030 (Without printer) • German: 22771AA070 (Without printer) • French: 22771AA080 (Without printer) • Spanish: 22771AA090 (Without printer)

2. GENERAL PURPOSE TOOLS

TOOL NAME	REMARKS
Circuit tester	Used for measuring resistance, voltage and ampere.
Pressure gauge	Used for measuring oil pressure.
Oscilloscope	Used for measuring sensor.

ABS Control Module and Hydraulic Control Unit (ABSCM&H/U)

ABS

2. ABS Control Module and Hydraulic Control Unit (ABSCM&H/U)

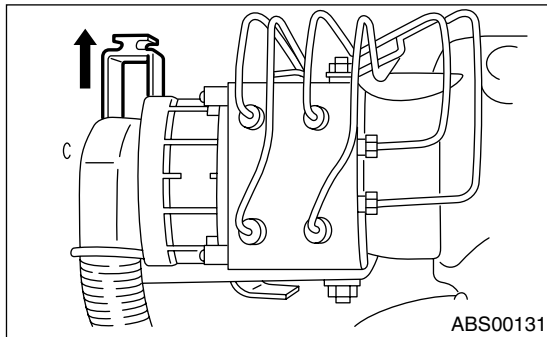
A: REMOVAL

- 1) Disconnect the ground cable from battery.
- 2) Remove the air intake duct from engine compartment to facilitate removal of ABSCM&H/U.
- 3) Use an air gun to get rid of water around the ABSCM&H/U.

NOTE:

Contact will be insufficient if the terminal gets wet.

- 4) Remove the ground cable from ABSCM&H/U.
- 5) Pull off the lock of ABSCM&H/U connector to remove it.



- 6) Disconnect the connector from ABSCM&H/U.

CAUTION:

Do not pull the harness when disconnecting the connector.

- 7) Unlock the cable clip.
- 8) Disconnect the brake pipes from ABSCM&H/U.
- 9) Wrap the brake pipes with vinyl bag to avoid spilling brake fluid on vehicle body.

CAUTION:

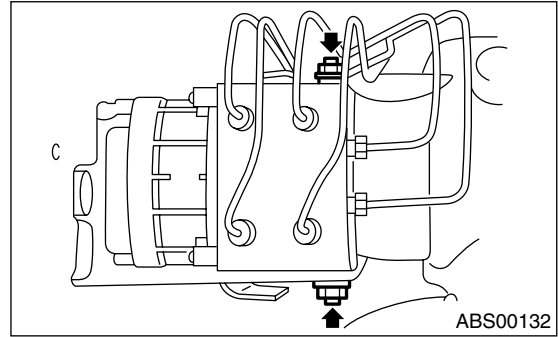
Brake fluid spilt on the vehicle body will harm the painted surface; wash away quickly with water if spilt.

- 10) Remove the ABSCM&H/U from engine compartment.

CAUTION:

- Do not drop or bump the ABSCM&H/U.
- Do not turn the ABSCM&H/U upside down or place it on its side.
- Be careful to prevent foreign particles from getting into ABSCM&H/U.

- Do not let water get into the connector.



B: INSTALLATION

- 1) Install the ABSCM&H/U bracket.

Tightening torque:

33 N·m (3.3 kgf-m, 24 ft-lb)

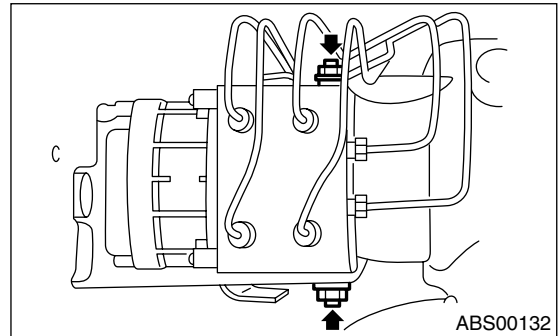
- 2) Apply a coat of grease (Nippeco LT or GB) to the bracket attaching bolt.
- 3) Align the width across flat portion of ABSCM&H/U side stud bolt with the bolt hole groove on bracket, and then install the ABSCM&H/U.

NOTE:

Confirm the specification mark of ABSCM&H/U.

Tightening torque:

18 N·m (1.8 kgf-m, 13.0 ft-lb)



- 4) Connect the brake pipes to their correct ABSCM&H/U connections.

Tightening torque:

15 N·m (1.5 kgf-m, 10.8 ft-lb)

- 5) Using the cable clip, secure the ABSCM&H/U harness to bracket.
- 6) Connect the connector to ABSCM&H/U.

NOTE:

- Be sure to remove all foreign matter from inside of the connector before connecting.
- Ensure the ABSCM&H/U connector is securely locked.

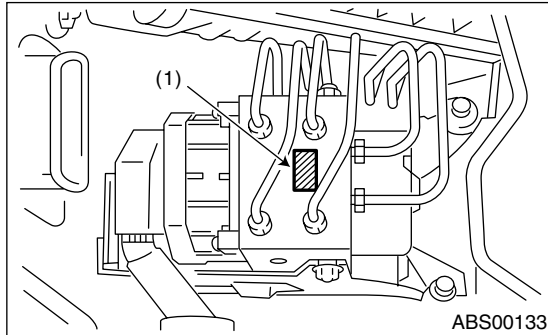
- 7) Connect the ground cable to ABSCM&H/U, and then apply grease.
- 8) Install the air intake duct.
- 9) Bleed air from the brake system.

C: INSPECTION

1) Check the connected and fixed condition of connector.

2) Check specifications of the mark with ABSCM&H/U.

Refer to "SPECIFICATION" for identification mark.
<Ref. to ABS-2, SPECIFICATIONS, General Description.>



(1) Mark

1. CHECKING THE HYDRAULIC UNIT ABS OPERATION BY PRESSURE GAUGE

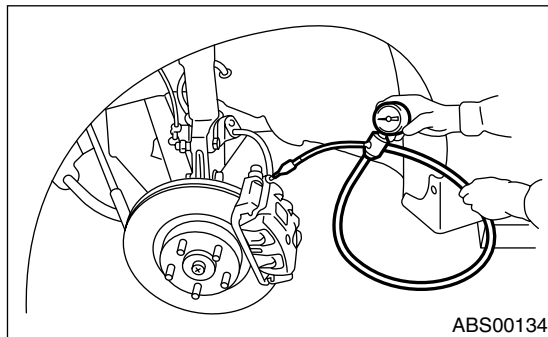
- 1) Lift-up the vehicle and remove the wheels.
- 2) Disconnect the air bleeder screws from the FL and FR caliper bodies.
- 3) Connect two pressure gauges to the FL and FR caliper bodies.

CAUTION:

- Pressure gauges used exclusively for brake fluid must be used.
- Do not employ pressure gauge previously used for transmission since the piston seal is expanded which may lead to malfunction of the brake.

NOTE:

Wrap sealing tape around the pressure gauge.



- 4) Bleed air from the pressure gauges.
- 5) Perform the ABS sequence control.
<Ref. to ABS-10, ABS Sequence Control.>

6) When the hydraulic unit begins to work, and first the FL side performs decompression, holding, and compression, and then the FR side performs decompression, holding, and compression.

7) Read values indicated on the pressure gauge and check if the fluctuation of the values between decompression and compression meets the standard values. Also check if any irregular brake pedal tightness is felt.

	Front wheel	Rear wheel
Initial value	3,500 kPa (36 kgf/cm ² , 511 psi)	3,500 kPa (36 kgf/cm ² , 511 psi)
Decompressed	500 kPa (5 kgf/cm ² , 73 psi) or less	500 kPa (5 kgf/cm ² , 73 psi) or less
Compressed	3,500 kPa (36 kgf/cm ² , 511 psi) or more	3,500 kPa (36 kgf/cm ² , 511 psi) or more

8) Remove the pressure gauges from the FL and FR caliper bodies.

9) Remove the air bleeder screws from the RL and RR caliper bodies.

10) Connect the air bleeder screws to the FL and FR caliper bodies.

11) Connect two pressure gauges to the RL and RR caliper bodies.

12) Bleed air from the pressure gauges and the FL and FR caliper bodies.

13) Perform the ABS sequence control.

<Ref. to ABS-10, ABS Sequence Control.>

14) When the hydraulic unit begins to work, at first the RR side performs decompression, holding, and compression, and then the RL side performs decompression, holding, and compression.

15) Read values indicated on the pressure gauges and check if they meet the standard value.

16) After checking, remove the pressure gauges from caliper bodies.

17) Connect the air bleeder screws to RL and RR caliper bodies.

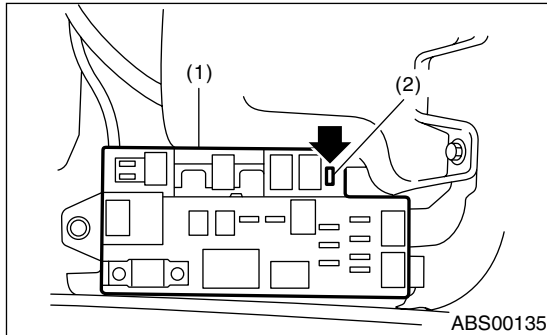
18) Bleed air from the brake line.

ABS Control Module and Hydraulic Control Unit (ABSCM&H/U)

ABS

2. CHECKING THE HYDRAULIC UNIT ABS OPERATION WITH BRAKE TESTER

1) In the case of AWD AT models, install a spare fuse with the FWD connector in the main fuse box to simulate FWD models.



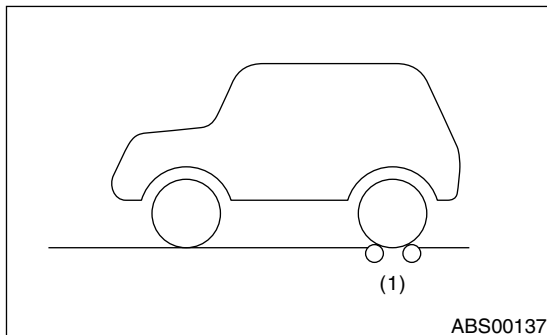
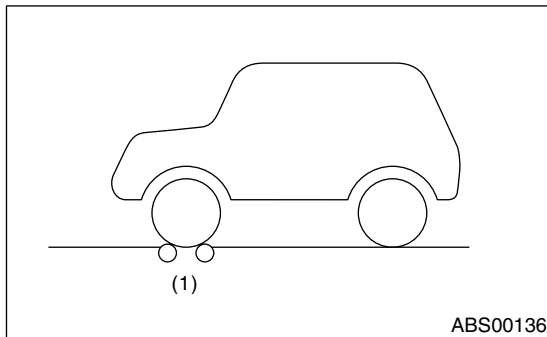
- (1) Main fuse box
- (2) FWD connector

NOTE:

AWD circuit of MT models can not be disabled because viscous coupling is used inside center differential.

2) Prepare for operating the ABS sequence control. <Ref. to ABS-10, ABS Sequence Control.>

3) Set the front wheels or rear wheels on the brake tester and set the select lever's position at "N" range.



- (1) Brake tester

- 4) Operate the brake tester.
- 5) Perform the ABS sequence control.

<Ref. to ABS-10, ABS Sequence Control.>

6) Hydraulic unit begins to work; and check the following working sequence.

(1) The FL wheel performs decompression, holding, and compression in sequence, and subsequently the FR wheel repeats the cycle.

(2) The RR wheel performs decompression, holding, and compression in sequence, and subsequently the RL wheel repeats the cycle.

7) Read values indicated on the brake tester and check if the fluctuation of values, when decompressed and compressed, meets the standard values.

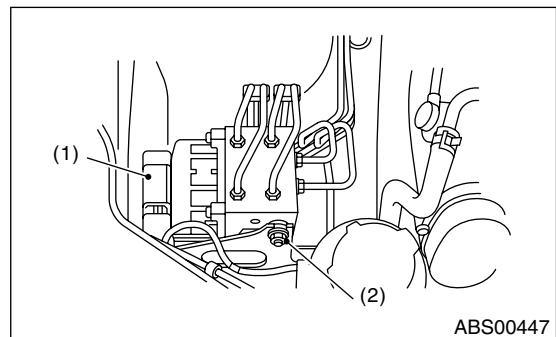
	Front wheel	Rear wheel
Initial value	1,000 N (102 kgf, 225 lb)	1,000 N (102 kgf, 225 lb)
Decompressed	500 N (51 kgf, 112 lb) or less	500 N (51 kgf, 112 lb) or less
Compressed	1,000 N (102 kgf, 225 lb) or more	1,000 N (102 kgf, 225 lb) or more

8) After checking, also check if any irregular brake pedal tightness is felt.

D: REPLACE

1. ABSCM (ABS CONTROL MODULE)

- 1) Disconnect the ground cable from battery.
- 2) Disconnect the ABSCM harness connector.
- 3) Remove the bracket mounting nut of ABSCM&H/U.



- (1) ABSCM harness connector
- (2) Bracket mounting nut

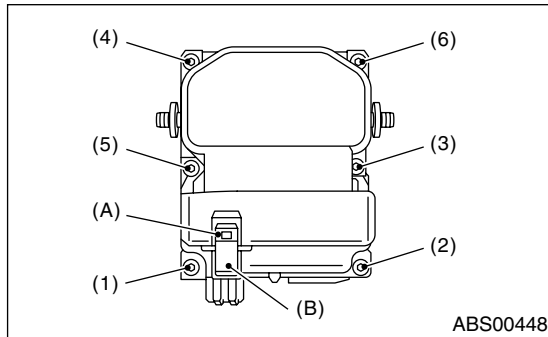
4) Leaving the brake pipe connected, raise the ABSCM&H/U for approx. 5 cm (2.0 in) from bracket.

CAUTION:

Do not deform the brake pipe.

- 5) Unlock the motor power supply connector lock, and disconnect the connector.
- 6) Using TORX® BIT T20, remove the screws (1), (2), (3), (4), (5), (6) in this order.

CAUTION:
Do not reuse the screw.

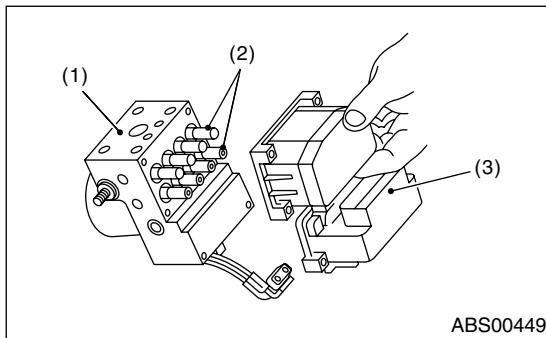


- (A) Motor power supply connector lock
- (B) Motor power supply connector

7) Remove the ABSCM from H/U.

CAUTION:

- Do not pry the ABSCM out, extract it straight out against H/U.
- Do not reuse the seal of ABSCM.



- (1) H/U
- (2) Valve
- (3) ABSCU

8) Check that H/U seal surface is free from dust and damages.

CAUTION:

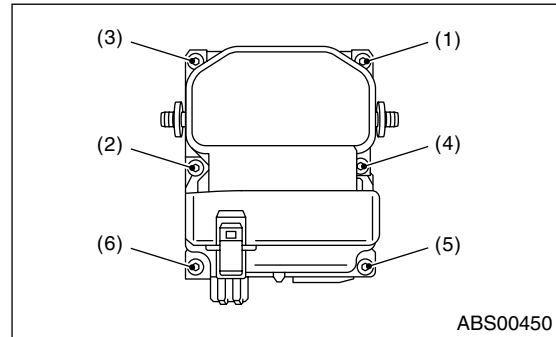
- If damage is found on seal surface, replace the H/U.
- Do not apply compressed air to ABSCM&H/U for cleaning.

9) Install ABSCM straight for ward on to H/U, being careful not to scratch the valve.

10) Temporarily tighten the six new screws by hand.

11) Using TORX® BIT T20, tighten the screws (1), (2), (3), (4), (5), (6) in this order.

Tightening torque:
2.65 N·m (0.27 kgf-m, 1.95 ft-lb)



12) Make sure no clearance exists at the mating surface of ABSCM and H/U.

13) Connect the motor power supply connector to ABSCM.

CAUTION:
Securely connect the connector until connector lock sound is heard.

14) Attach the ABSCM&H/U to bracket, and then tighten with nuts.

Tightening torque:
18 N·m (1.8 kgf-m, 13.0 ft-lb)

15) Connect the ABSCM harness connector.

16) Connect the battery ground cable to battery.

17) Turn the ignition key to ON. Check the ABS warning light turns on normally, then off.

18) Check that correct information (model year, drive system, transmission type) is displayed on the initial screen by connecting Subaru Select Monitor.

19) Start the engine and move the car to accelerate to more than 20 km/h (12.4 MPH). Check the ABS warning light dose not turn on.

20) If any abnormal is found during the work of step 17) to 19), repair according to the procedure of relevant failure in "ABS (DIAGNOSTICS)" section.

3. ABS Sequence Control

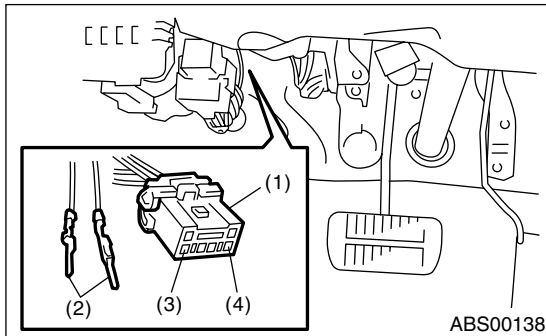
A: OPERATION

1) Under the ABS sequence control, after the hydraulic unit solenoid valve is driven, the operation of the hydraulic unit can be checked by means of the brake tester or pressure gauge.

2) ABS sequence control can be started by diagnosis connector or Subaru Select Monitor.

1. ABS SEQUENCE CONTROL WITH DIAGNOSIS CONNECTOR

- 1) Turn the ignition switch to OFF.
- 2) Connect the diagnosis terminal to terminal No. 6 of the diagnosis connector beside driver's seat.



- (1) Diagnosis connector
- (2) Diagnosis terminals
- (3) Terminal No. 3
- (4) Terminal No. 6

- 3) Turn the ignition switch to ON.
- 4) Confirm that start code (code 11) is only displayed.
- 5) Turn the ignition switch to OFF.
- 6) Connect the diagnosis terminals to terminals No. 6 and No. 3 of diagnosis connector.
- 7) Set the speed of all wheels at 4 km/h (2 MPH) or less.
- 8) Turn the ignition switch to ON.
- 9) Within 0.5 seconds after the ABS warning light goes out, depress the brake pedal and hold it depressed.

NOTE:

Engine must not operate.

CAUTION:

Do not depress the clutch pedal in case of vehicle with hill holder.

- 10) After completion of ABS sequence control, turn the ignition switch to OFF.

2. ABS SEQUENCE CONTROL WITH SUBARU SELECT MONITOR

NOTE:

• In the event of any trouble, the sequence control may not be operative. In such a case, activate the sequence control, referring to "ABS SEQUENCE CONTROL WITH DIAGNOSIS CONNECTOR".

<Ref. to ABS-10, ABS SEQUENCE CONTROL WITH DIAGNOSIS CONNECTOR, ABS Sequence Control.>

• When the diagnosis terminal is connected to the diagnosis connector, the sequence control will not operate.

1) Connect the Subaru Select Monitor to data link connector under driver's seat instrument panel lower cover.

2) Turn the ignition switch to ON.

3) Turn the Subaru Select Monitor switch to ON.

4) Put the Subaru Select Monitor to "BRAKE CONTROL" mode.

5) When "Function check sequence" is selected, 'ABS sequence control' will start.

6) When the message "Press Brake Pedal Firmly" is displayed, perform the followings.

(1) When using the brake tester, depress the brake pedal with braking force of 1,000 N (102 kgf, 225 lb).

(2) When using the pressure gauge, depress the brake pedal so as to make the pressure gauge indicate 3,500 kPa (36 kg/cm², 511 psi).

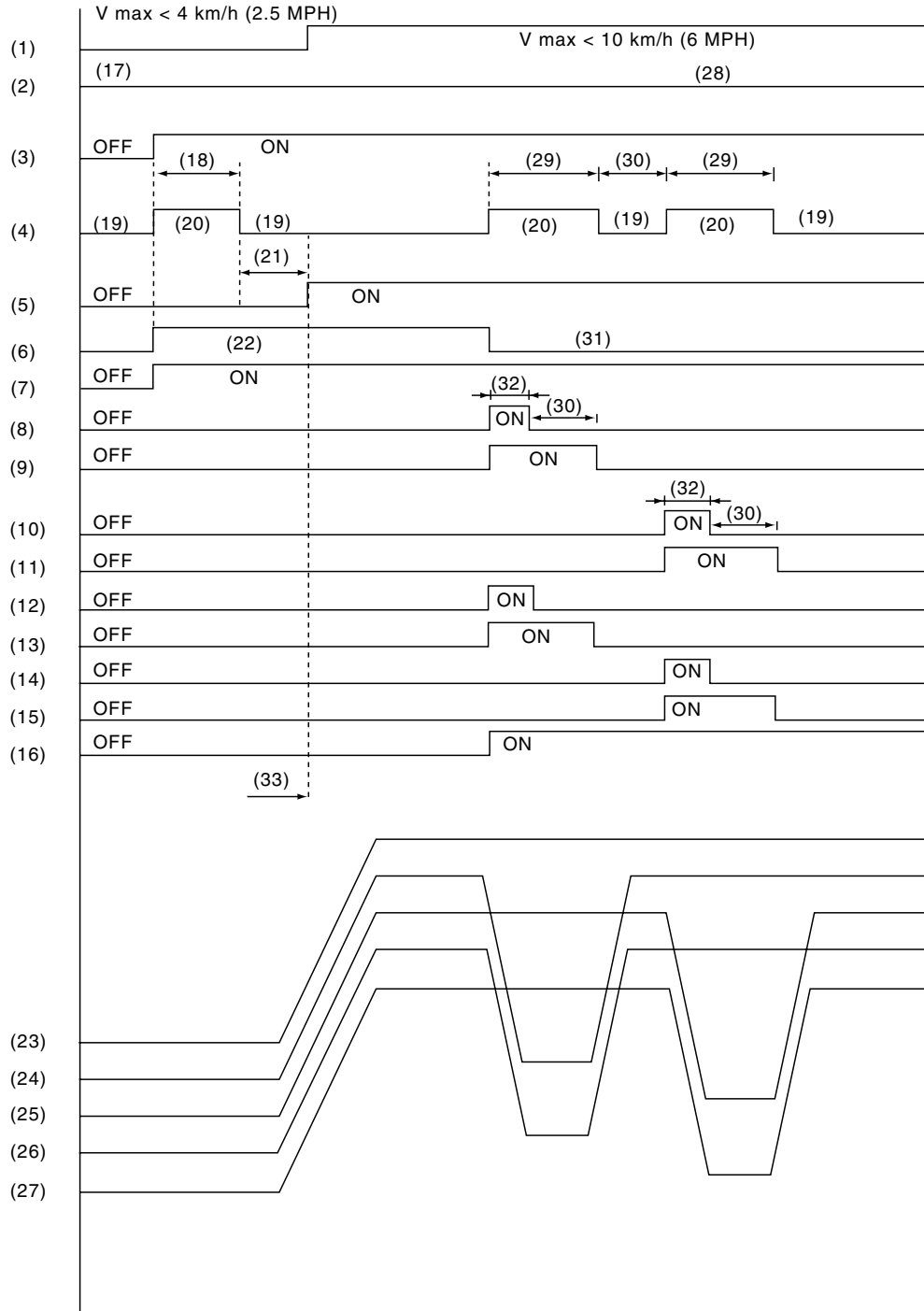
CAUTION:

Do not depress the clutch pedal in case of vehicle with hill holder.

7) When the message "Press YES" is displayed, press the YES key.

8) The braking system in operation is displayed on Subaru Select Monitor.

3. CONDITIONS FOR ABS SEQUENCE CONTROL



ABS00014

ABS Sequence Control

ABS

- | | | |
|---|------------------------------------|---|
| (1) Speed of wheels | (12) RR outlet valve | (24) Pressure of FL wheel cylinder |
| (2) Terminal DK and DL | (13) RR inlet valve | (25) Pressure of FR wheel cylinder |
| (3) Ignition key | (14) RL outlet valve | (26) Pressure of RR wheel cylinder |
| (4) ABS warning light | (15) RL inlet valve | (27) Pressure of RL wheel cylinder |
| (5) Stop light switch | (16) Pump motor | (28) Either HI or LO possible, if using Subaru Select Monitor |
| (6) Signal to Transmission control module (TCM) | (17) Connection to ground terminal | (29) 1.4 second |
| (7) Valve relay | (18) 1.5 seconds | (30) 1.0 second |
| (8) FL outlet valve | (19) Not illuminated | (31) ABS working |
| (9) FL inlet valve | (20) Illuminated | (32) 0.4 second |
| (10) FR outlet valve | (21) Within 0.5 second | (33) Point A |
| (11) FR inlet valve | (22) ABS not working | |
| | (23) Pressure of master cylinder | |

NOTE:

When the Subaru Select Monitor is used, control operation starts at point A. The patterns from IGN key ON to the point A show that operation is started by diagnosis connector. (However, the brake light switch must be ON before point A.)

B: SPECIFICATION

1. CONDITIONS FOR COMPLETION OF ABS SEQUENCE CONTROL

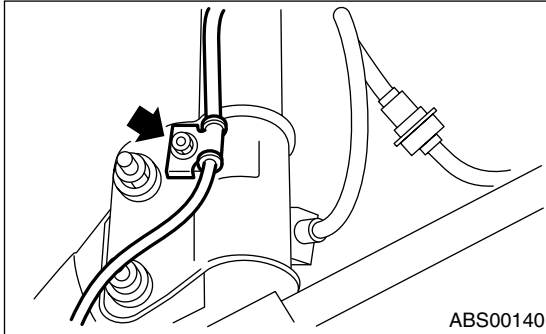
When the following conditions develop, the ABS sequence control stops and ABS operation is returned to the normal control mode.

- 1) When the speed of at least one wheel reaches 10 km/h (6 MPH).
- 2) When terminal No. 3 or No. 6 are separated from diagnosis terminals. (When the Subaru Select Monitor is not used.)
- 3) When the brake pedal is released during sequence control and the braking lamp switch is set to off.
- 4) When the brake pedal is depressed after ignition key is turned to ON, and before ABS warning light goes out. (When the Subaru Select Monitor is not used.)
- 5) When the brake pedal is not depressed after ignition key is turned to ON, and within 0.5 seconds after ABS warning light goes out. (When the Subaru Select Monitor is not used.)
- 6) After completion of the sequence control.
- 7) When malfunction is detected. (When the Subaru Select Monitor is used.)

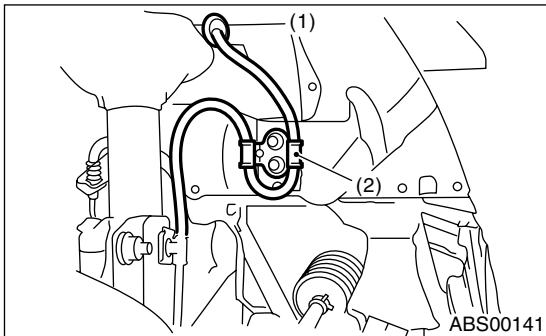
4. Front ABS Wheel Speed Sensor

A: REMOVAL

- 1) Disconnect the ground cable from battery.
- 2) Disconnect the front ABS wheel speed sensor connector located next to the front strut mounting house in engine compartment. Pull the connector out from grommet hole to tire side.
- 3) Remove the bolts which secure the sensor harness to strut.



- 4) Remove the bolts which secure the sensor harness to body.



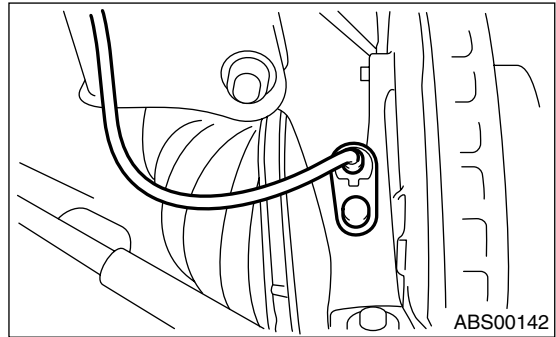
- (1) To front ABS wheel speed sensor connector
- (2) Bracket

- 5) Remove the bolts which secure the front ABS wheel speed sensor to housing, and remove the front ABS wheel speed sensor.

CAUTION:

- Be careful not to damage the pole piece located at tip of the sensor and teeth faces during removal.

- Do not pull the sensor harness during removal.

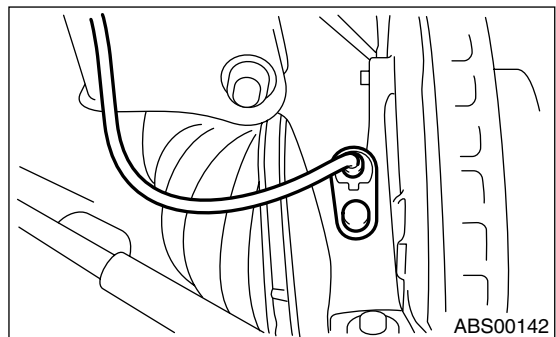


B: INSTALLATION

- 1) Temporarily install the front ABS wheel speed sensor on housing.

CAUTION:

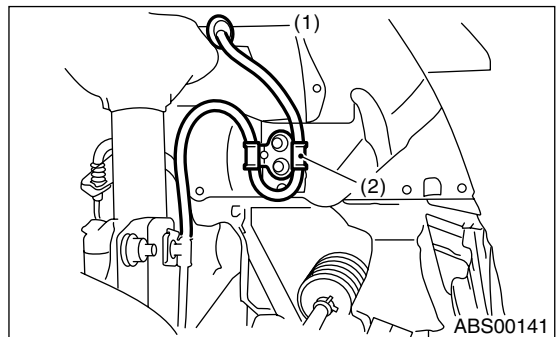
- Be careful not to strike the ABS wheel speed sensor's pole piece against tone wheel and adjacent metal parts during installation.



- 2) Install the front ABS wheel speed sensor on strut and wheel apron bracket.

Tightening torque:

33 N·m (3.3 kgf-m, 24 ft-lb)



- (1) To front ABS wheel speed sensor connector
- (2) Bracket

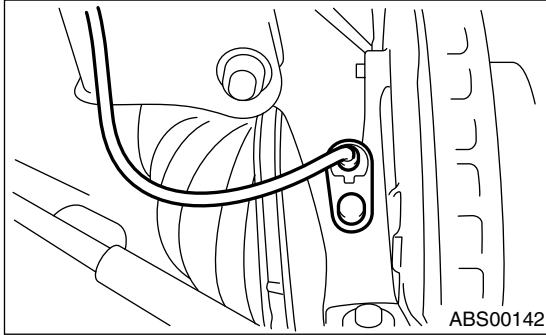
Front ABS Wheel Speed Sensor

ABS

3) Check the ABS wheel speed sensor gap. <Ref. to ABS-14, SENSOR GAP, INSPECTION, Front ABS Wheel Speed Sensor.> After standard clearance is obtained, tighten the ABS wheel speed sensor on housing to specified torque. If the clearance is outside specification, readjust using spacer (Part No. 26755AA000).

ABS wheel speed sensor standard clearance:
0.3 — 0.8 mm (0.012 — 0.031 in)

Tightening torque:
33 N·m (3.3 kgf·m, 24 ft·lb)



NOTE:

- Check the marks on the harness and make sure that no kink exists. (RH: White, LH: Yellow)
- Make sure the harness is not pulled and does not contact to suspension or body when steering wheel is turned.

4) After confirmation of the ABS wheel speed sensor clearance, connect the connector to ABS wheel speed sensor.

5) Connect the battery ground cable to battery.

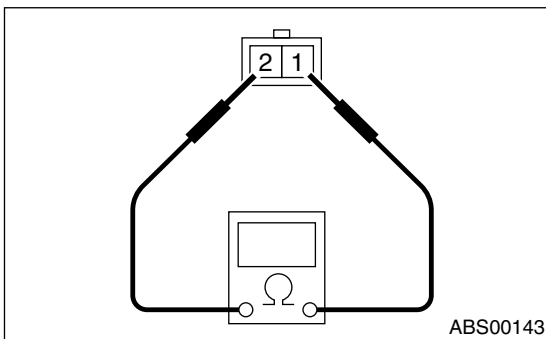
C: INSPECTION

1. ABS WHEEL SPEED SENSOR

1) Check the pole piece of ABS wheel speed sensor for foreign particles or damage. If necessary, clean the pole piece or replace ABS wheel speed sensor.

2) Measure the ABS wheel speed sensor resistance.

If the resistance is outside standard value, replace the ABS wheel speed sensor with a new one.



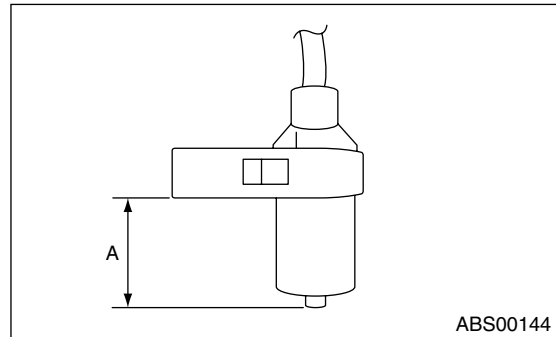
Terminal No.	Standard
1 and 2	1.25±0.25 kΩ

NOTE:

Check the ABS wheel speed sensor cable for discontinuity. If necessary, replace with a new one.

2. SENSOR GAP

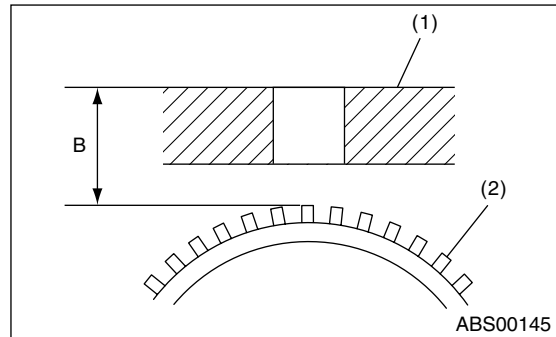
1) Measure the distance “A” between ABS wheel speed sensor surface and sensor pole face.



2) Measure the distance “B” between surface where the front axle housing meets the ABS wheel speed sensor, and the tone wheel.

NOTE:

Measure so that the gauge touches the tone wheel teeth top.



(1) Axle housing

(2) Tone wheel

3) Find the gap between the ABS wheel speed sensor pole face and the surface of the tone wheel teeth by putting the measured values in the formula below and calculating.

$$\text{ABS wheel speed sensor clearance} = B - A$$

ABS wheel speed sensor standard clearance:
0.3 — 0.8 mm (0.012 — 0.031 in)

NOTE:

If the clearance is out of specification, readjust using spacer (Part No. 26755AA000).

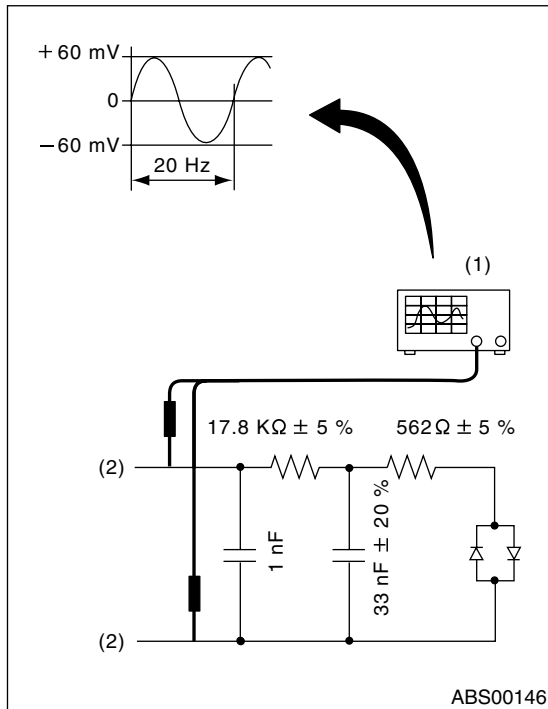
3. OUTPUT VOLTAGE

Output voltage can be checked by the following method. Install the resistor and condenser, then rotate the wheel about 2.75 km/h (2 MPH) or equivalent.

Output voltage specification:
0.12 to 1 V (at 20 Hz)

NOTE:

Regarding terminal No., please refer to item 1. ABS WHEEL SPEED SENSOR. <Ref. to ABS-14, ABS WHEEL SPEED SENSOR, INSPECTION, Front ABS Wheel Speed Sensor.>



- (1) Oscilloscope
- (2) Terminal

D: ADJUSTMENT

Adjust the gap using spacer (Part No. 26755A000).

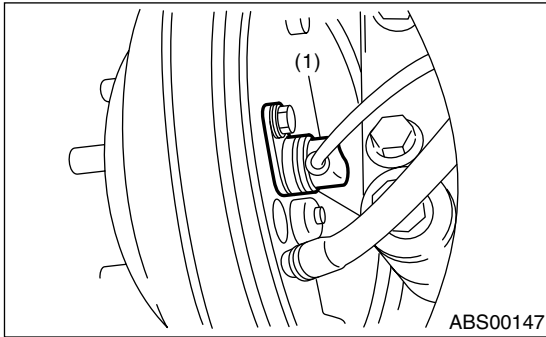
5. Rear ABS Wheel Speed Sensor

A: REMOVAL

- 1) Disconnect the ground cable from battery.
- 2) Lift-up the vehicle.
- 3) Remove the rear seat and disconnect the rear ABS wheel speed sensor connector. Pull the connector out from grommet hole to under floor.
- 4) Remove the rear sensor harness bracket from the rear trailing link and bracket.
- 5) Remove the rear ABS wheel speed sensor from back plate.

CAUTION:

- Be careful not to damage the pole piece located at tip of the sensor and teeth faces during removal.
- Do not pull the sensor harness during removal.



(1) Rear ABS wheel speed sensor

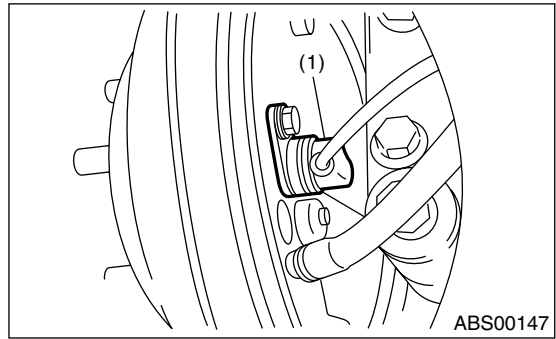
- 6) Remove the rear tone wheel while removing the hub from housing and hub assembly. <Ref. to DS-25, REMOVAL, Rear Axle [AWD Model].> <Ref. to DS-33, REMOVAL, Rear Axle [FWD Model].>

B: INSTALLATION

- 1) Install the rear tone wheel on hub, then rear housing on hub. <Ref. to DS-31, ASSEMBLY, Rear Axle [AWD Model].> <Ref. to DS-34, ASSEMBLY, Rear Axle [FWD Model].>
- 2) Temporarily install the rear ABS wheel speed sensor on back plate.

CAUTION:

Be careful not to strike the ABS wheel speed sensor's pole piece against tone wheel and adjacent metal parts during installation.

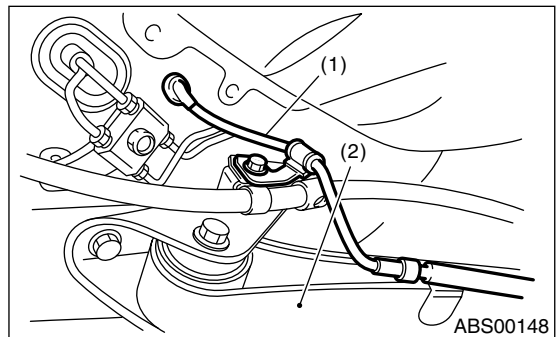


(1) Rear ABS wheel speed sensor

- 3) Install the rear drive shaft to rear housing and rear differential spindle. <Ref. to DS-28, INSTALLATION, Rear Axle [AWD Model].> <Ref. to DS-33, INSTALLATION, Rear Axle [FWD Model].>
- 4) Install the rear sensor harness on rear trailing link.

Tightening torque:

33 N·m (3.3 kgf·m, 24 ft·lb)



(1) Rear sensor harness
(2) Trailing link

- 5) Check the ABS wheel speed sensor gap. <Ref. to ABS-17, SENSOR GAP, INSPECTION, Rear ABS Wheel Speed Sensor.> After standard clearance is obtained, tighten the ABS wheel speed sensor on back plate to specified torque. If the clearance is outside specification, readjust using spacer (Part No. 26755AA000).

ABS wheel speed sensor standard clearance:

0.7 — 1.2 mm (0.028 — 0.047 in)

Tightening torque:

33 N·m (3.3 kgf·m, 24 ft·lb)

NOTE:

Check the marks on the harness and make sure no kink exists. (RH: Light blue, LH: Brown)

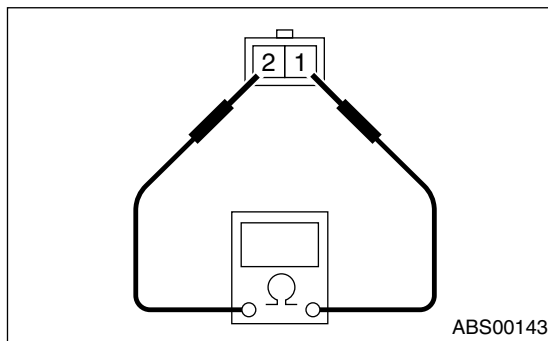
- 6) After confirmation of the ABS wheel speed sensor clearance, connect the connector to ABS wheel speed sensor.
- 7) Connect the battery ground cable to battery.

C: INSPECTION

1. ABS WHEEL SPEED SENSOR

- 1) Check the pole piece of ABS wheel speed sensor for foreign particles or damage. If necessary, clean the pole piece or replace ABS wheel speed sensor.
- 2) Measure the ABS wheel speed sensor resistance.

If resistance is out of standard value, replace the ABS wheel speed sensor with a new one.



Terminal No.	Standard
1 and 2	1.15±0.115 kΩ

NOTE:

Check the ABS wheel speed sensor cable for discontinuity. If necessary, replace with a new one.

2. SENSOR GAP

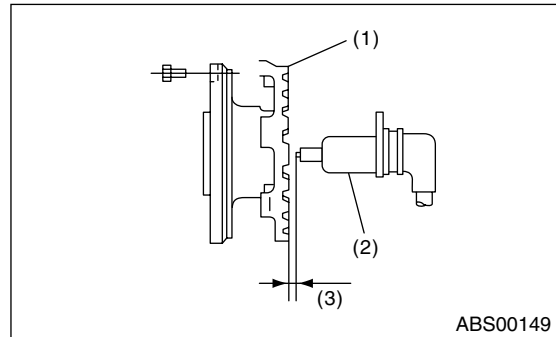
- 1) Measure the clearance between tone wheel and ABS wheel speed sensor at whole periphery.

NOTE:

If clearance is narrow, adjust by using spacer (Part No. 26755AA000).

If clearance is wide, check the outputted voltage then replace the ABS wheel speed sensor or tone wheel if the outputted voltage is outside specification.

ABS wheel speed sensor clearance:
0.7 — 1.2 mm (0.028 — 0.047 in)



- (1) Tone wheel
- (2) ABS wheel speed sensor
- (3) Sensor gap

3. OUTPUT VOLTAGE

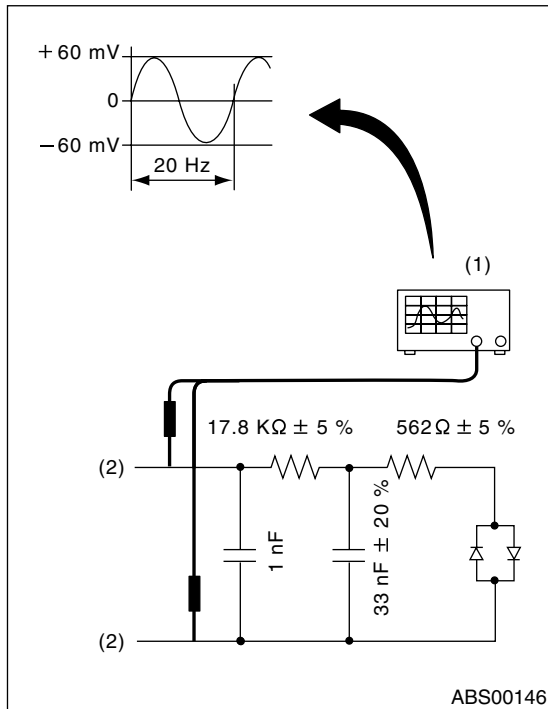
Output voltage can be checked by the following method. Install the resistor and condenser, then rotate the wheel about 2.75 km/h (2 MPH) or equivalent.

Output voltage specification:

0.12 — 1 V (at 20 Hz)

NOTE:

Regarding terminal No., please refer to item 1. ABS WHEEL SPEED SENSOR. <Ref. to ABS-17, ABS WHEEL SPEED SENSOR, INSPECTION, Rear ABS Wheel Speed Sensor.>



(1) Oscilloscope

(2) Terminal

D: ADJUSTMENT

Adjust the gap using spacer (Part No. 26755AA000).

6. Front Tone Wheel

A: REMOVAL

Refer to Front Drive Shaft, because front tone wheel is integrated with front drive shaft.

<Ref. to DS-36, REMOVAL, Front Drive Shaft.>

B: INSTALLATION

Refer to Front Drive Shaft, because front tone wheel is integrated with front drive shaft.

<Ref. to DS-36, INSTALLATION, Front Drive Shaft.>

C: INSPECTION

Visually check the tone wheel's teeth (44 pieces) for cracks or dents. If necessary, replace the tone wheel with a new one.

NOTE:

Replace the BJ assembly with a new one as a single unit if there are any defects found on tone wheel is unitized with BJ assembly of drive shaft.

7. Rear Tone Wheel

A: REMOVAL

Refer to Rear Axle, because the rear tone wheel is installed to rear hub.

<Ref. to DS-25, REMOVAL, Rear Axle [AWD Model].> <Ref. to DS-33, REMOVAL, Rear Axle [FWD Model].>

B: INSTALLATION

Refer to Rear Axle, because the rear tone wheel is installed to rear hub.

<Ref. to DS-28, INSTALLATION, Rear Axle [AWD Model].> <Ref. to DS-33, INSTALLATION, Rear Axle [FWD Model].>

C: INSPECTION

Visually check the tone wheel's teeth (44 pieces) for cracks or dents. If necessary, replace the tone wheel with a new one.

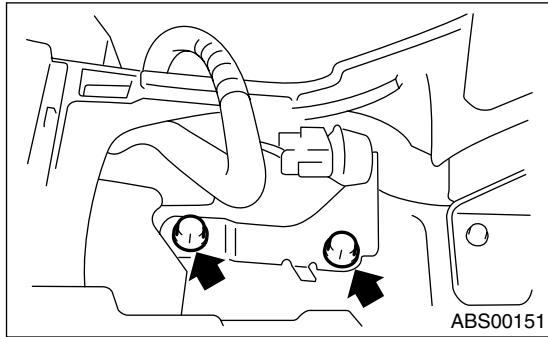
8. G Sensor

A: REMOVAL

- 1) Disconnect the ground cable from battery.
- 2) Remove the console cover.
<Ref. to EI-42, REMOVAL, Console Box.>
- 3) Disconnect the connector from G sensor.
- 4) Remove the G sensor from body.

CAUTION:

- Do not drop or bump the G sensor.
- G sensor and the bracket are integrated into one unit. Therefore, do not disassemble it.



B: INSTALLATION

Install in the reverse order of removal.

CAUTION:

Do not drop or bump the G sensor.

Tightening torque:

18 N·m (1.8 kgf·m, 13.0 ft·lb)

G Sensor

ABS

C: INSPECTION

Step	Check	Yes	No
1	CHECK SUBARU SELECT MONITOR.	Go to step 5.	Go to step 2.
2	CHECK G SENSOR. 1)Turn the ignition switch to OFF. 2)Remove the G sensor from vehicle. 3)Connect the connector to G sensor. 4)Turn the ignition switch to ON. 5)Measure the voltage between G sensor connector terminals. Connector & terminal (B292) No. 2 (+) — No. 3 (-):	Go to step 3.	Replace the G sensor.
3	CHECK G SENSOR. Measure the voltage between G sensor connector terminals. Connector & terminal (B292) No. 2 (+) — No. 3 (-):	Go to step 4.	Replace the G sensor.
4	CHECK G SENSOR. Measure the voltage between G sensor connector terminals. Connector & terminal (B292) No. 2 (+) — No. 3 (-):	G sensor is normal.	Replace the G sensor.
5	CHECK G SENSOR. 1)Turn the ignition switch to OFF. 2)Connect the Subaru Select Monitor to data link connector. 3)Turn the Subaru Select Monitor into {BRAKE CONTROL} mode. 4)Set the display in the {Current Data Display & Save} mode. 5)Read the G sensor output voltage.	Go to step 6.	Replace the G sensor.
6	CHECK G SENSOR. 1)Remove the console box. 2)Remove the G sensor from vehicle. (Do not disconnect the connector.) 3)Read the Subaru Select Monitor display.	Go to step 7.	Replace the G sensor.
7	CHECK G SENSOR. Read the Subaru Select Monitor display.	G sensor is normal.	Replace the G sensor.

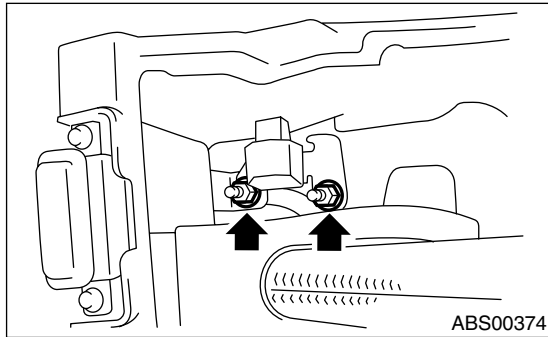
9. Lateral G Sensor

A: REMOVAL

- 1) Disconnect the ground cable from battery.
- 2) Remove the console cover.
<Ref. to EI-42, REMOVAL, Console Box.>
- 3) Disconnect the connector from lateral G sensor.
- 4) Remove the lateral G sensor from vehicle.

CAUTION:

Do not drop or bump the lateral G sensor.



B: INSTALLATION

Install in the reverse order of removal.

CAUTION:

Do not drop or bump the lateral G sensor.

Tightening torque:

18 N·m (1.8 kgf·m, 13.0 ft·lb)

Lateral G Sensor

ABS

C: INSPECTION

Step	Check	Yes	No
1 CHECK SUBARU SELECT MONITOR.	Do you have a SUBARU SELECT MONITOR?	Go to step 5.	Go to step 2.
2 CHECK LATERAL G SENSOR. 1)Turn the ignition switch to OFF. 2)Remove the lateral G sensor from vehicle. 3)Connect the connector to lateral G sensor. 4)Turn the ignition switch to ON. 5)Measure the voltage between lateral G sensor connector terminals. Connector & terminal (B257) No. 2 (+) — No. 3 (-):	Is the voltage 2.5 ± 0.2 V when lateral G sensor is horizontal?	Go to step 3.	Replace the lateral G sensor.
3 CHECK LATERAL G SENSOR. Measure the voltage between lateral G sensor connector terminals. Connector & terminal (B257) No. 2 (+) — No. 3 (-):	Is the voltage 3.5 ± 0.2 V when lateral G sensor is inclined forwards to 90° ?	Go to step 4.	Replace the lateral G sensor.
4 CHECK LATERAL G SENSOR. Measure the voltage between lateral G sensor connector terminals. Connector & terminal (B257) No. 2 (+) — No. 3 (-):	Is the voltage 1.5 ± 0.2 V when lateral G sensor is inclined backwards to 90° ?	Lateral G sensor is normal.	Replace the lateral G sensor.
5 CHECK LATERAL G SENSOR. 1)Turn the ignition switch to OFF. 2)Connect the Subaru Select Monitor to data link connector. 3)Turn the Subaru Select Monitor into {BRAKE CONTROL} mode. 4)Set the display in the {Current Data Display & Save} mode. 5)Read the lateral G sensor output voltage.	Is the indicated reading 2.5 ± 0.2 V when the vehicle is in horizontal position?	Go to step 6.	Replace the lateral G sensor.
6 CHECK LATERAL G SENSOR. 1)Remove the console box. 2)Remove the lateral G sensor from vehicle. (Do not disconnect the connector.) 3)Read the Subaru Select Monitor display.	Is the indicated reading 3.5 ± 0.2 V when lateral G sensor is inclined forwards to 90° ?	Go to step 7.	Replace the lateral G sensor.
7 CHECK LATERAL G SENSOR. Read the Subaru Select Monitor display.	Is the indicated reading 1.5 ± 0.2 V when lateral G sensor is inclined backwards to 90° ?	Lateral G sensor is normal.	Replace the lateral G sensor.