

BODY SECTION

This service manual has been prepared to provide SUBARU service personnel with the necessary information and data for the correct maintenance and repair of SUBARU vehicles.

This manual includes the procedures for maintenance, disassembling, reassembling, inspection and adjustment of components and diagnostics for guidance of experienced mechanics.

Please peruse and utilize this manual fully to ensure complete repair work for satisfying our customers by keeping their vehicle in optimum condition. When replacement of parts during repair work is needed, be sure to use SUBARU genuine parts.

All information, illustration and specifications contained in this manual are based on the latest product information available at the time of publication approval.

HVAC SYSTEM (HEATER, VENTILATOR AND A/C)	AC
HVAC SYSTEM (AUTO A/C) (DIAGNOSTICS)	AC(diag)
AIRBAG SYSTEM	AB
AIRBAG SYSTEM (DIAGNOSTICS)	AB(diag)
SEAT BELT SYSTEM	SB
LIGHTING SYSTEM	LI
WIPER AND WASHER SYSTEMS	WW
ENTERTAINMENT	ET
COMMUNICATION SYSTEM	COM
GLASS/WINDOWS/MIRRORS	GW
BODY STRUCTURE	BS
INSTRUMENTATION/DRIVER INFO	IDI
SEATS	SE
SECURITY AND LOCKS	SL
SUNROOF/T-TOP/CONVERTIBLE TOP (SUNROOF)	SR
EXTERIOR/INTERIOR TRIM	EI
EXTERIOR BODY PANELS	EB

BODY SECTION

CRUISE CONTROL SYSTEM

CC

**CRUISE CONTROL SYSTEM
(DIAGNOSTICS)**

CC(diag)

IMMOBILIZER (DIAGNOSTICS)

IM(diag)

COMMUNICATION SYSTEM

COM

	Page
1. General Description	2
2. Horn System	3
3. Horn	4
4. Horn Switch.....	5

1. General Description

A: CAUTION

- Before disassembling or reassembling parts, always disconnect the battery ground cable. When replacing radio, control module, and other parts provided with memory functions, record memory contents before disconnecting the battery ground cable. Otherwise, the memory will be erased.
- Reassemble in reverse order of disassembly, unless otherwise indicated.
- Adjust parts to the given specifications.
- Connect the connectors and hoses securely during reassembly.
- After reassembly, make sure functional parts operate smoothly.

B: PREPARATION TOOL

1. GENERAL TOOLS

TOOL NAME	REMARKS
Circuit Tester	Used for measuring resistance and voltage.

2. Horn System

A: WIRING DIAGRAM

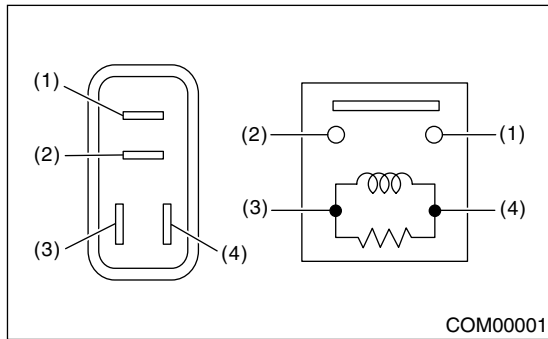
1. HORN

<Ref. to WI-183, WIRING DIAGRAM, Horn System.>

B: INSPECTION

1. HORN RELAY

Measure the horn relay resistance between terminals (indicated in table below) when connecting the terminal No. 4 to battery positive terminal and terminal No. 3 to battery ground cable.

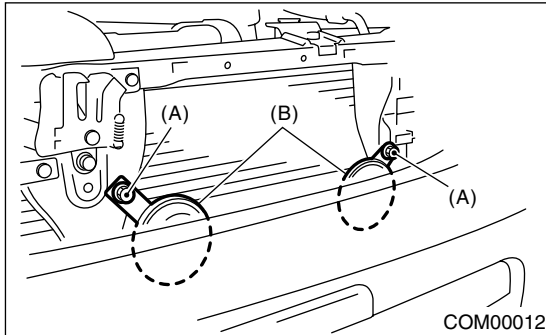


Current	Terminal No.	Standard
Flow	1 and 2	Less than 1 Ω
No Flow		More than 1 M Ω

3. Horn

A: REMOVAL

- 1) Disconnect the ground cable from battery.
- 2) Remove the horn bracket mounting bolt (A).
- 3) Disconnect the harness connector and remove the horn assembly (B).

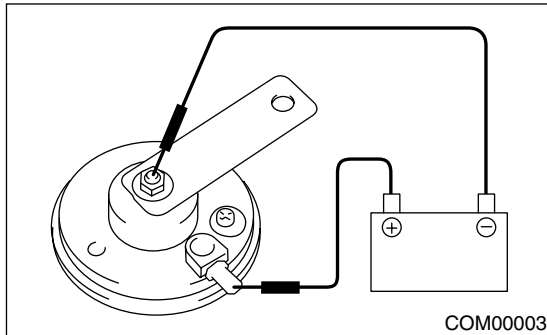


B: INSTALLATION

Install in the reverse order of removal.

C: INSPECTION

With 12 V direct current supplied between horn terminal and case ground, check that the horn sounds properly.



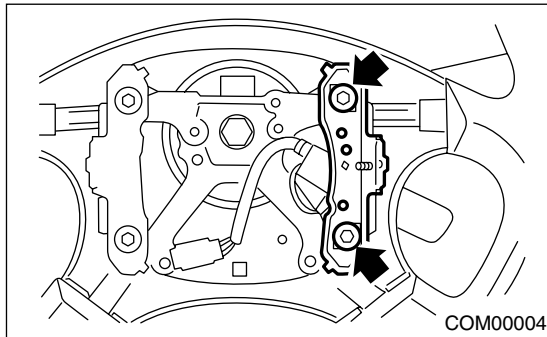
4. Horn Switch

A: REMOVAL

WARNING:

Before servicing, be sure to read the notes in AB section for proper handling of driver airbag module. <Ref. to AB-3, CAUTION, General Description.>

- 1) Disconnect the ground cable from battery.
- 2) Remove the driver's airbag module. <Ref. to AB-12, Driver's Airbag Module.>
- 3) Remove the horn switch from steering wheel as shown in the figure.

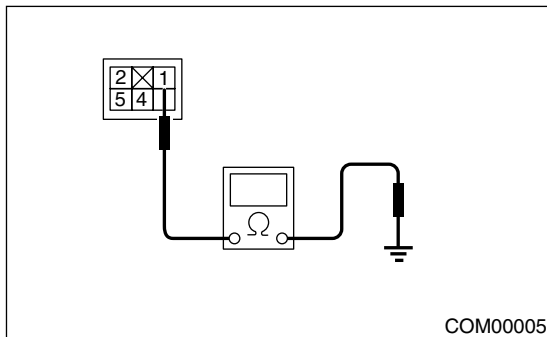


B: INSTALLATION

Install in the reverse order of removal.

C: INSPECTION

Measure the horn switch resistance.



Switch position	Terminal No.	Resistance
When horn switch is pushed.	1 and Body ground	Less than 1 Ω
When horn switch is not pushed.		More than 1 MΩ

Horn Switch

COMMUNICATION SYSTEM
