

BODY SECTION

This service manual has been prepared to provide SUBARU service personnel with the necessary information and data for the correct maintenance and repair of SUBARU vehicles.

This manual includes the procedures for maintenance, disassembling, reassembling, inspection and adjustment of components and diagnostics for guidance of experienced mechanics.

Please peruse and utilize this manual fully to ensure complete repair work for satisfying our customers by keeping their vehicle in optimum condition. When replacement of parts during repair work is needed, be sure to use SUBARU genuine parts.

All information, illustration and specifications contained in this manual are based on the latest product information available at the time of publication approval.

HVAC SYSTEM (HEATER, VENTILATOR AND A/C)	AC
HVAC SYSTEM (AUTO A/C) (DIAGNOSTICS)	AC(diag)
AIRBAG SYSTEM	AB
AIRBAG SYSTEM (DIAGNOSTICS)	AB(diag)
SEAT BELT SYSTEM	SB
LIGHTING SYSTEM	LI
WIPER AND WASHER SYSTEMS	WW
ENTERTAINMENT	ET
COMMUNICATION SYSTEM	COM
GLASS/WINDOWS/MIRRORS	GW
BODY STRUCTURE	BS
INSTRUMENTATION/DRIVER INFO	IDI
SEATS	SE
SECURITY AND LOCKS	SL
SUNROOF/T-TOP/CONVERTIBLE TOP (SUNROOF)	SR
EXTERIOR/INTERIOR TRIM	EI
EXTERIOR BODY PANELS	EB

BODY SECTION

CRUISE CONTROL SYSTEM

CC

**CRUISE CONTROL SYSTEM
(DIAGNOSTICS)**

CC(diag)

IMMOBILIZER (DIAGNOSTICS)

IM(diag)

HVAC SYSTEM (AUTO A/C) (DIAGNOSTICS)

AC(diag)

	Page
1. Basic Diagnostic Procedure	2
2. General Description	3
3. Electrical Components Location.....	5
4. A/C Control Module I/O Signal	7
5. Diagnostics Chart for Self-diagnosis	9
6. Diagnostics for A/C System Malfunction	12
7. Diagnostic Procedure for Actuators	23
8. Diagnostic Procedure for Sensors	29
9. Symptom Related Diagnostic.....	35

Basic Diagnostic Procedure

HVAC SYSTEM (AUTO A/C) (DIAGNOSTICS)

1. Basic Diagnostic Procedure

A: PROCEDURE

	Step	Check	Yes	No
1	START INSPECTIONS. 1)Perform the pre-inspection. <Ref. to AC(diag)-3, INSPECTION, General Description.> 2)Perform the self-diagnosis. <Ref. to AC(diag)-9, OPERATION, Diagnostics Chart for Self-diagnosis.>	Does the self-diagnosis operate?	Go to step 2.	<Ref. to AC(diag)-12, A/C AND/OR SELF-DIAGNOSIS SYSTEMS DO NOT OPERATE, Diagnostics for A/C System Malfunction.>
2	CONFIRM MALFUNCTION PART. Confirm the malfunction part with self-diagnosis.	Can the malfunction part be confirmed?	Repair the malfunction part according to each diagnostics chart.	Go to step 3.
3	CHECK COMPARTMENT TEMPERATURE. 1)Turn the A/C switch ON. 2)Set the temperature at maximum cold position. 3)Check the compartment temperature changes.	Is the compartment temperature changed?	Go to step 4.	<Ref. to AC(diag)-16, COMPARTMENT TEMPERATURE IS NOT CHANGED OR A/C SYSTEM DOES NOT RESPOND QUICKLY, Diagnostics for A/C System Malfunction.>
4	CHECK A/C SYSTEM RESPONSE. Change the temperature setting, and check the response of A/C system.	Does the A/C system respond quickly?	A/C system is OK.	<Ref. to AC(diag)-16, COMPARTMENT TEMPERATURE IS NOT CHANGED OR A/C SYSTEM DOES NOT RESPOND QUICKLY, Diagnostics for A/C System Malfunction.>

General Description

HVAC SYSTEM (AUTO A/C) (DIAGNOSTICS)

2. General Description

A: CAUTION

- 1) Never connect the battery in reverse polarity.
 - The Auto A/C control module will be destroyed instantly.
- 2) Do not disconnect the battery cables while the engine is running.
 - A large counter electromotive force will be generated in the alternator, and this voltage may damage electronic parts such as A/C control module.
- 3) Before disconnecting the connectors of each sensor and the A/C control module, be sure to turn off the ignition switch.
 - Otherwise, the Auto A/C control module may be damaged.
- 4) Every Auto A/C-related part is a precision part. Do not drop them.
- 5) Airbag system wiring harness is routed near the A/C control panel (A/C control module) and junction box.

CAUTION:

- All airbag system wiring harness and connectors are colored yellow. Do not use electrical test equipment on these circuits.
- Be careful not to damage the airbag system wiring harness when servicing the A/C control panel (A/C control module) and junction box.

B: INSPECTION

Before performing diagnosis, check the following items which might affect A/C system problems.

1. BATTERY

- 1) Measure the battery voltage and specific gravity of electrolyte.

Standard voltage: 12 V

Specific gravity: Above 1.260

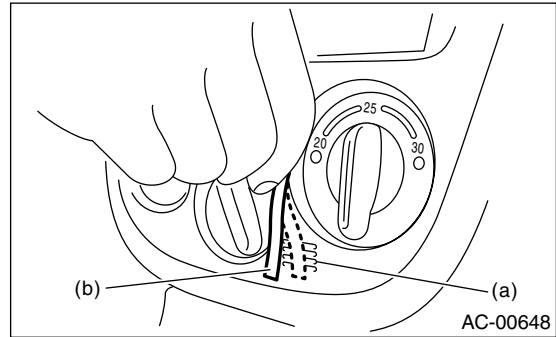
- 2) Check the condition of the fuses for A/C system power supply and other fuses.
- 3) Check the condition of the harnesses and harness connectors connection.

2. ASPIRATOR HOSE

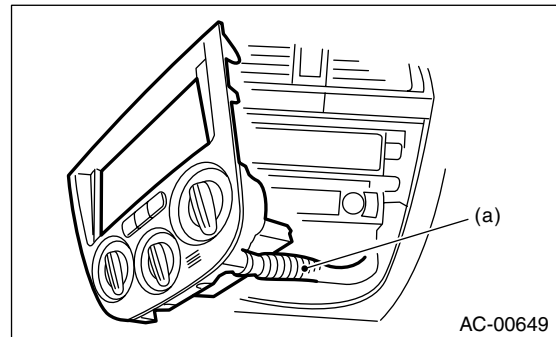
- 1) Turn the ignition switch to ON and push the A/C switch.
- 2) Turn the temperature control dial to maximum hot position.
- 3) Turn the air flow control dial to "DEF" position.
- 4) Turn the fan speed control dial to 4th position.
- 5) Firmly hold a thin paper (b) in front of the in-vehicle sensor suction port (a) for the auto A/C control module and check that the paper moves towards the port indicating that air is being sucked into the port.

NOTE:

Ensure the paper does not get sucked into the port.

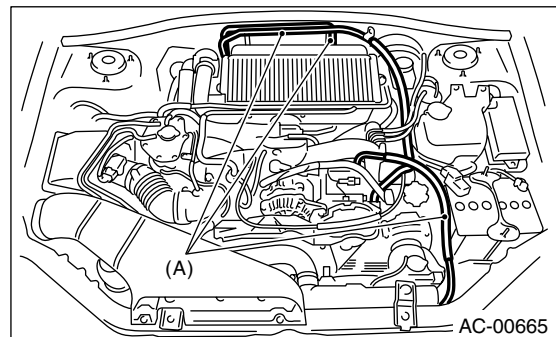


- 6) If the paper does not move at all, remove the auto A/C control module <Ref. to AC-31, REMOVAL, Control Unit.> and check for improper connection of the aspirator hose (a), auto A/C control unit and heater unit, and secure as necessary.



3. REFRIGERANT LINE

Check the connection for refrigerant line (A) and high-pressure pipe.



4. CONTROL LINKAGE

- 1) Check the state of mode door linkage.
- 2) Check the state of air mix door linkage.
- 3) Check the state of intake door linkage.

General Description

HVAC SYSTEM (AUTO A/C) (DIAGNOSTICS)

5. CONTROL SWITCHES

Start and warm up the engine completely.

1) Inspection using switches.

No.	Point to check	Switch operation	Judgement standard
1	Fan speed control dial	OFF position	A/C switch LED goes out. • Fan speed: OFF • Compressor: OFF
		Fan speed control dial 1st → 2nd → 3rd → 4th	Fan speed changes 1st → 2nd → 3rd → 4th
2	Fan speed control dial and temperature control dial	A. Fan speed control dial auto position. B. Temperature control dial maximum cold position	• Outlet air: Cool • Fan speed: 4th • Compressor: ON
		C. Turn the temperature control dial from maximum cold position to maximum hot position gradually.	• Outlet air: Cool → Hot • Fan speed: AUTO • Compressor: ON
		D. Temperature control dial maximum hot position	• Outlet air: Hot • Fan speed: 4th • Compressor: ON
3	Air flow control dial	Air flow control dial VENT → BI-LEVEL → HEAT → DEF/HEAT → DEF	Air flow outlet changes from VENT → BI-LEVEL → HEAT → DEF/HEAT → DEF.
4	FRESH/RECIRC switch	FRESH/RECIRC switch ON	Changes from RECIRC → FRESH, or FRESH → RECIRC.

2) Compressor operation inspection

No.	Point to check	Switch operation	Judgement standard
1	Compressor	A. A/C switch ON B. Fan speed control dial 1st-4th	Compressor: ON

3) Illumination control inspection

No.	Point to check	Switch operation	Judgement standard
1	Illumination	Lighting switch ON	Illumination light illuminates.

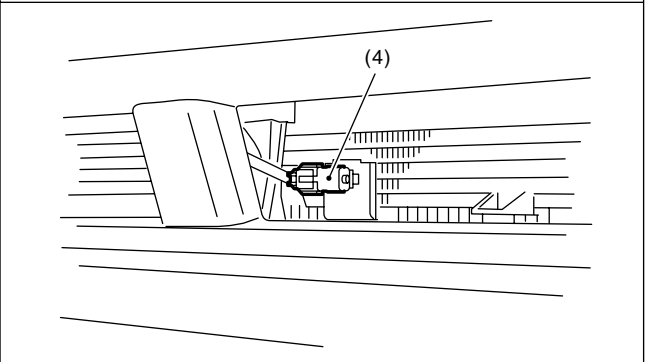
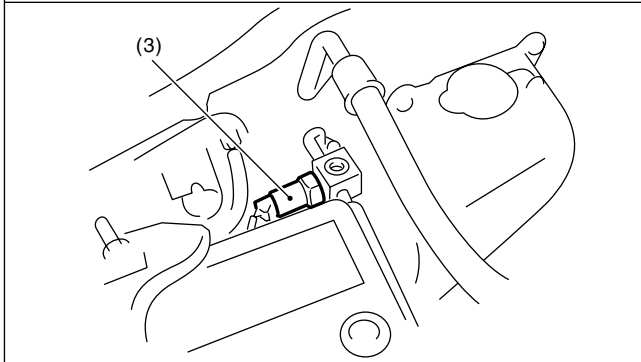
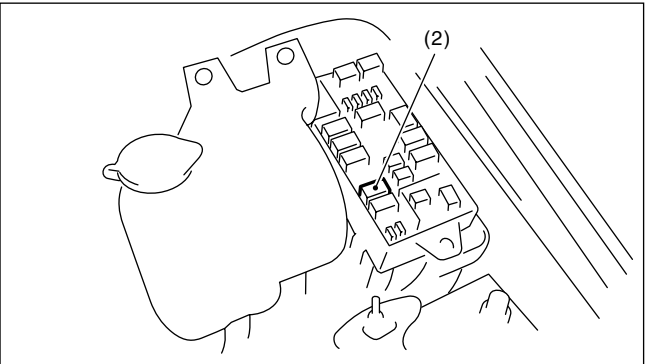
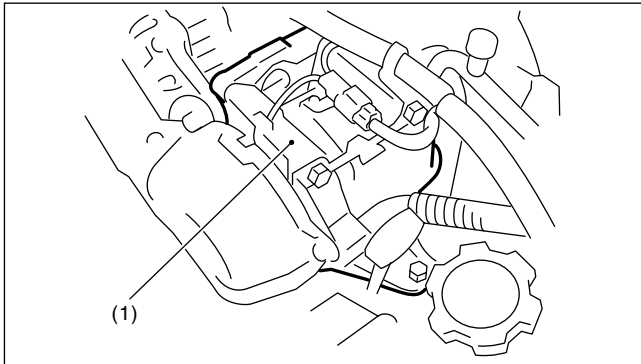
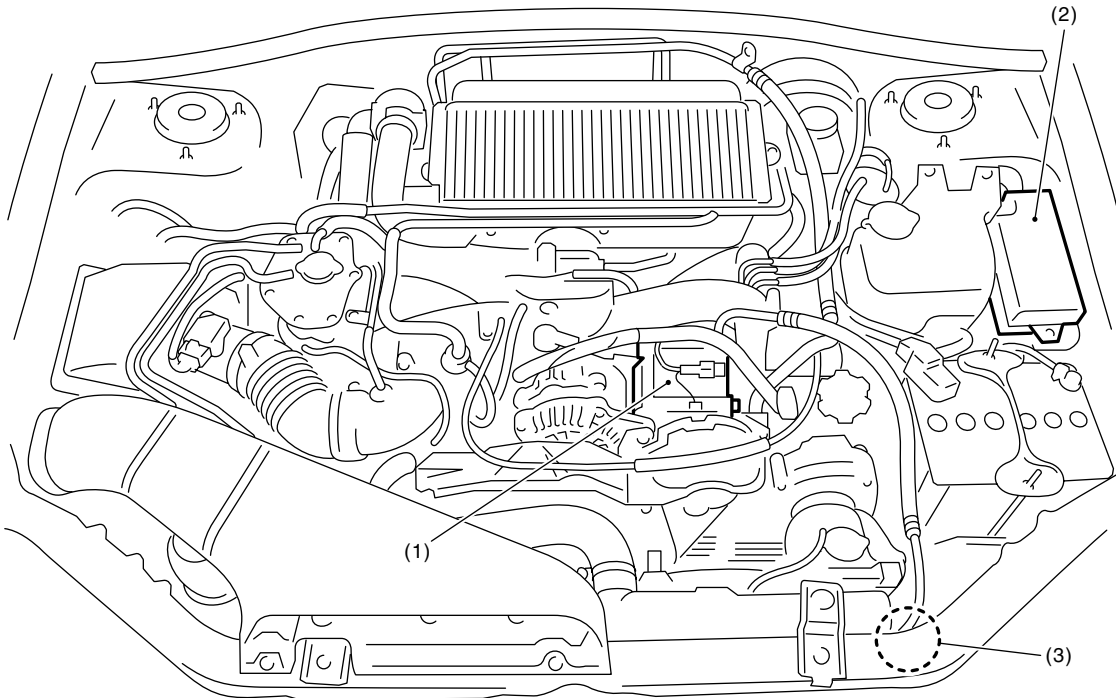
Electrical Components Location

HVAC SYSTEM (AUTO A/C) (DIAGNOSTICS)

3. Electrical Components Location

A: LOCATION

1. ENGINE COMPARTMENT



AC-00666

- (1) A/C compressor
- (2) A/C relay

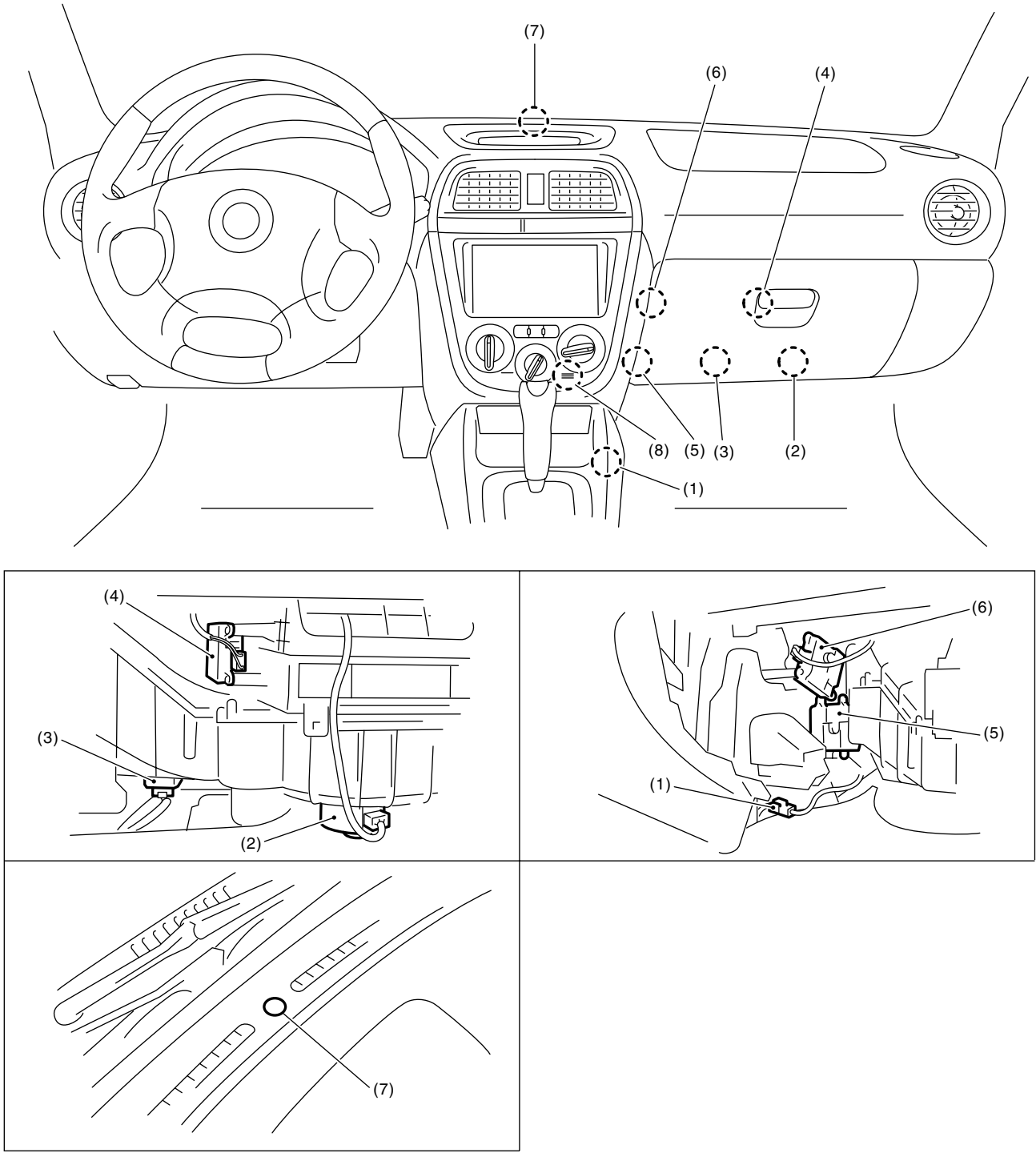
- (3) Pressure switch

- (4) Ambient sensor

Electrical Components Location

HVAC SYSTEM (AUTO A/C) (DIAGNOSTICS)

2. PASSENGER COMPARTMENT



AC-00667

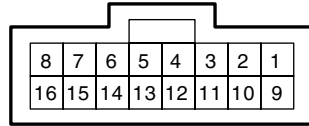
- | | | |
|---------------------------|---------------------------|------------------------------------|
| (1) Evaporator sensor | (4) Intake door actuator | (7) Sunload sensor |
| (2) Blower motor | (5) Air mix door actuator | (8) In-vehicle sensor |
| (3) Blower motor resistor | (6) Mode door actuator | (built-in Auto A/C control module) |

A/C Control Module I/O Signal

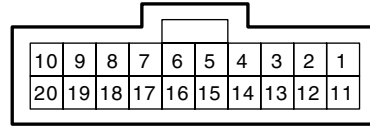
HVAC SYSTEM (AUTO A/C) (DIAGNOSTICS)

4. A/C Control Module I/O Signal

A: ELECTRICAL SPECIFICATION



To A: **(B282)**



To B: **(B283)**

AC-00735

Content	Connector & Terminal No.	Signal (V)
Battery power supply (Memory back-up)	B1 — B12	Battery voltage, 13 — 14 (engine running)
IGN power supply	A8 — B12	Battery voltage (ignition switch ON), 13 — 14 (engine running)
ACC power supply	B2 — B12	Battery voltage, 0 (engine cranking), Battery voltage (engine running)
A/C control module ground circuit	B12 — chassis ground	0 (ignition switch ON) — circuit constantly grounded to chassis
Sensor ground circuit	B17 — chassis ground	0 (ignition switch ON) — circuit constantly grounded to chassis
Ambient sensor	B9 — B17	Approx. 5 (disconnect connector, and ignition switch ON)
Evaporator sensor	B7 — B17	
Thermometer	B15 — B12	
Sunload sensor	B16 — B17	Approx. 5 (disconnect connector, and ignition switch ON)
Air mix door actuator	B5 — B1	Battery voltage (ignition switch ON)
Air mix door actuator P.B.R.	A4 — B17	LAN connection
Mode door actuator	B6 — B17	Battery voltage (ignition switch ON)
Mode door actuator P.B.R.	A12 — B17	LAN connection
Intake door FRS voltage	A15 — A7	Battery voltage (FRESH/RECIRC switch OFF)
Intake door CIRC voltage	A7 — A15	Battery voltage (FRESH/RECIRC switch ON)
Blower fan relay	B14 — body	Battery voltage (ignition switch ON)
A/C relay	B3 — B12	0 (ignition and A/C switches ON) Battery voltage (A/C switch OFF)
Illumination control signal	B10 — B20	Battery voltage (ignition and lighting switches ON)
Rear window defogger	A13 — B12	0 (ignition switch ON, rear window defogger switch ON)

A/C Control Module I/O Signal

HVAC SYSTEM (AUTO A/C) (DIAGNOSTICS)

B: WIRING DIAGRAM

1. AIR CONDITIONER AUTO A/C LHD MODEL

<Ref. to WI-53, MANUAL A/C LHD MODEL, WIRING DIAGRAM, Air Conditioning System.>

2. AIR CONDITIONER AUTO A/C RHD MODEL

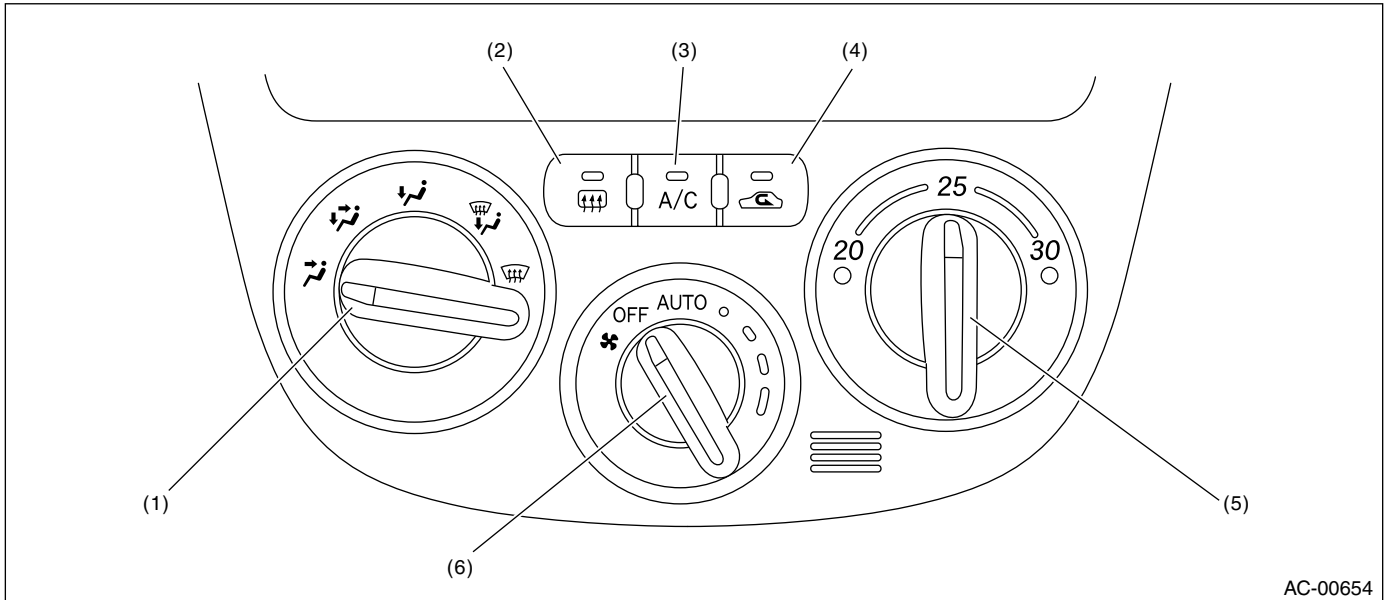
<Ref. to WI-59, MANUAL A/C RHD MODEL, WIRING DIAGRAM, Air Conditioning System.>

Diagnostics Chart for Self-diagnosis

HVAC SYSTEM (AUTO A/C) (DIAGNOSTICS)

5. Diagnostics Chart for Self-diagnosis

A: OPERATION



AC-00654

- | | | |
|---------------------------------|-------------------------|------------------------------|
| (1) Air flow control dial | (3) A/C switch | (5) Temperature control dial |
| (2) Rear window defogger switch | (4) FRESH/RECIRC switch | (6) Fan speed control dial |

Step	Check	Yes	No
1 SELECT CONTROL PANEL TO SELF-DIAGNOSIS MODE. 1) Turn the fan speed control dial to OFF position. 2) Start the engine and press the rear window defogger switch for at least 5 seconds. The rear window defogger switch must be pressed within 10 seconds after starting engine.	Does the self-diagnosis mode operate?	Go to step 2.	<Ref. to AC(diag)-12, A/C AND/OR SELF-DIAGNOSIS SYSTEMS DO NOT OPERATE, Diagnostics for A/C System Malfunction.>
2 CHECK LED ILLUMINATION. Make sure that all switch LED illuminates (RHD model) or blink (LHD model) on control panel.	Do all LED illuminate or blink?	Go to step 3.	Check the switch LED.
3 CHECK SENSORS MALFUNCTION. 1) Turn the fan speed control dial to AUTO position. 2) If the system has trouble for each sensor, rear window defogger switch LED is turned off. 3) If the system has no trouble, rear window defogger switch LED is illuminated.	Does the rear window defogger switch LED illuminate?	Go to step 5.	Go to step 4.
4 CONFIRM MALFUNCTIONING SENSOR. 1) Turn the fan speed control dial to 1st position. 2) Turn the air flow control dial to each mode position, check each switch LED illumination according to sensor check table. <Ref. to AC(diag)-11, SENSOR CHECK TABLE, OPERATION, Diagnostics Chart for Self-diagnosis.>	Do FRESH/RECIRC and A/C switch LED illuminate when turning the dial to each mode position?	Go to step 5.	Repair the malfunctioning sensor. <Ref. to AC(diag)-29, Diagnostic Procedure for Sensors.>

Diagnostics Chart for Self-diagnosis

HVAC SYSTEM (AUTO A/C) (DIAGNOSTICS)

Step	Check	Yes	No
5 CHECK MODE DOOR POSITION SIGNAL. 1) Turn the fan speed control dial to 2nd position. 2) If the system has trouble for mode door position signal, rear window defogger switch LED is turned off. 3) If the system has no trouble, rear window defogger switch LED is illuminated.	Does the rear window defogger switch LED illuminate?	Go to step 6.	Check the mode door actuator circuit. <Ref. to AC(diag)-25, MODE DOOR ACTUATOR, Diagnostic Procedure for Actuators.>
6 CHECK BLOWER FAN OPERATION. 1) Turn the fan speed control dial to 3rd position. 2) Turn the temperature control dial, check that blower fan speed changes depending on set temperature.	Does the blower fan speed change?	Go to step 7.	Check the blower motor circuit. <Ref. to AC(diag)-14, BLOWER MOTOR IS NOT ROTATED, Diagnostics for A/C System Malfunction.>
7 CHECK OPERATION OF EACH ACTUATOR, BLOWER FAN AND COMPRESSOR CLUTCH. 1) Turn the fan speed control dial to 4th position. 2) Select the operating mode by turning air flow control dial. 3) Check the operation of each mode according to operating mode table. <Ref. to AC(diag)-11, OPERATING MODE TABLE, OPERATION, Diagnostics Chart for Self-diagnosis.> •Air inlet •Air outlet •Air mix door •Blower fan •A/C compressor	Does the operation of each mode match to operating mode table?	Push the A/C switch or turn the ignition switch to OFF, and finish the self-diagnosis.	Repair the malfunction part according to each diagnostics chart.

Diagnostics Chart for Self-diagnosis

HVAC SYSTEM (AUTO A/C) (DIAGNOSTICS)

1. SENSOR CHECK TABLE

NOTE:

When the sunload sensor is checked indoors or in the shade, open circuit might be indicated. Always check the sunload sensor at a place where sun shines directly on it.

Air flow control dial position	Checked sensor	No trouble	Short circuit	Open circuit
VENT	Ambient sensor	A/C switch LED and FRESH/RECIRC switch LED illuminate	A/C switch LED illuminate	FRESH/RECIRC switch LED illuminate
BI-LEVEL	In-vehicle sensor	A/C switch LED and FRESH/RECIRC switch LED illuminate	A/C switch LED illuminate	FRESH/RECIRC switch LED illuminate
HEAT	Evaporator sensor	A/C switch LED and FRESH/RECIRC switch LED illuminate	A/C switch LED illuminate	FRESH/RECIRC switch LED illuminate
DEF/HEAT	Sunload sensor	A/C switch LED and FRESH/RECIRC switch LED illuminate	A/C switch LED illuminate	FRESH/RECIRC switch LED illuminate
DEF	Air mix door motor (Potential balance resistor)	A/C switch LED and FRESH/RECIRC switch LED illuminate	A/C switch LED illuminate	

2. OPERATING MODE TABLE

Operation	Air flow control dial position				
	VENT	BI-LEVEL	HEAT	DEF/HEAT	DEF
Air outlet	VENT	BI-LEVEL	HEAT	DEF/HEAT	DEF
Air inlet	RECIRC	RECIRC	RECIRC	FRESH	FRESH
Air mix door	FULL COOL	FULL COOL	FULL HOT	FULL HOT	FULL COOL
Blower fan	5V	5V	8V	10V	Power supply voltage
A/C compressor	ON	OFF	OFF	ON	ON

Diagnostics for A/C System Malfunction

HVAC SYSTEM (AUTO A/C) (DIAGNOSTICS)

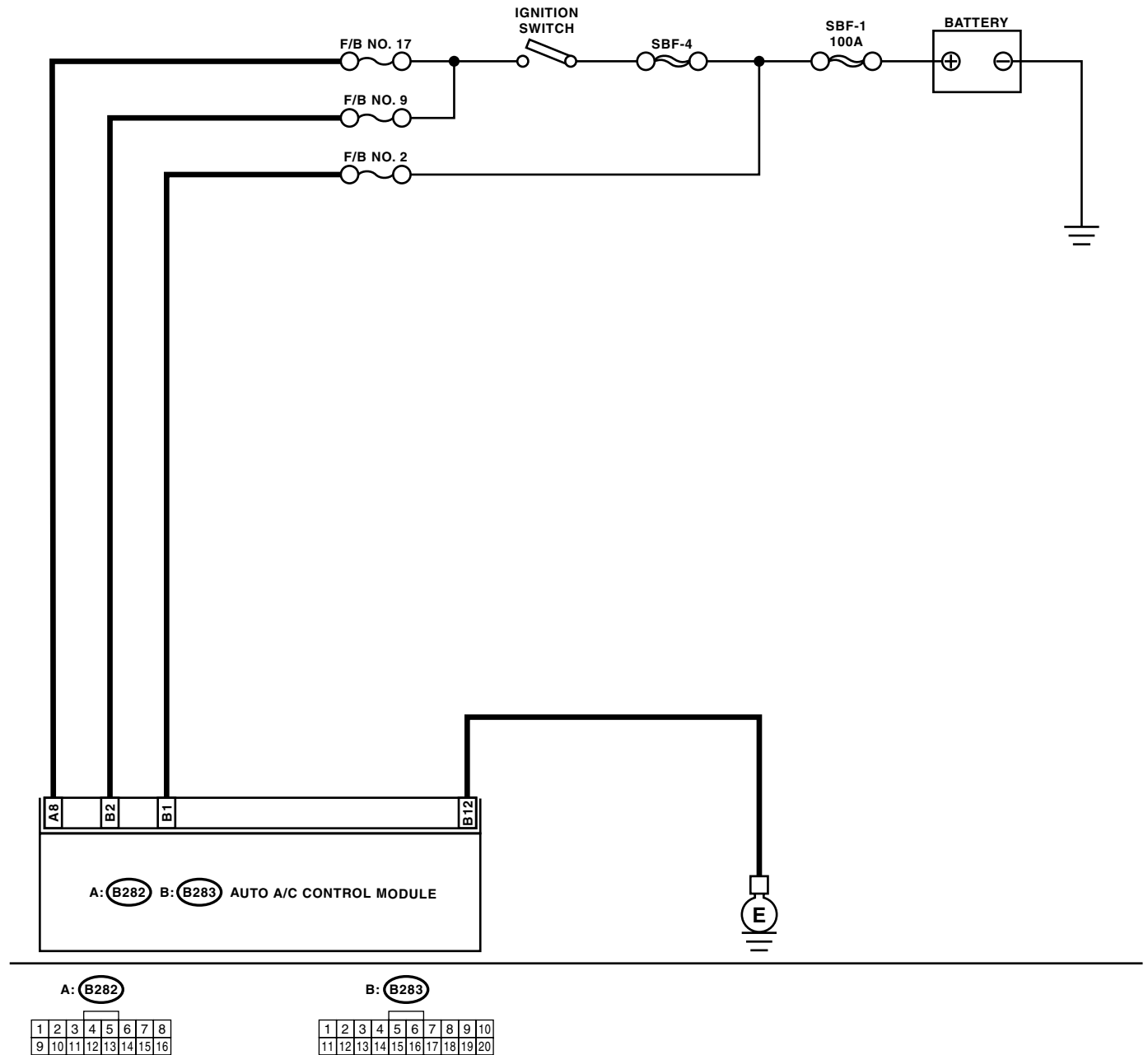
6. Diagnostics for A/C System Malfunction

A: A/C AND/OR SELF-DIAGNOSIS SYSTEMS DO NOT OPERATE

TROUBLE SYMPTOM:

- “Set” temperature is not indicated on the display, switch LEDs are faulty and switches do not operate.
- Self-diagnosis system does not operate.

WIRING DIAGRAM:



AC-00669

Diagnostics for A/C System Malfunction

HVAC SYSTEM (AUTO A/C) (DIAGNOSTICS)

Step	Check	Yes	No
1 CHECK FUSE. 1) Turn the ignition switch to OFF. 2) Remove the fuse No. 2 from main fuse box. 3) Check the condition of fuse.	Is the fuse blown-out?	Replace the fuse.	Go to step 2.
2 CHECK FUSE. 1) Turn the ignition switch to OFF. 2) Remove the fuses No. 9 and No. 17 from fuse & relay box. 3) Check the condition of fuse.	Is the fuse blown-out?	Replace the fuse.	Go to step 3.
3 CHECK A/C CONTROL MODULE POWER CIRCUIT. 1) Pull out the A/C control module connector. 2) Measure the voltage between A/C control module connector terminal and chassis ground when turning ignition switch to OFF. <i>Connector & terminal</i> <i>(B283) No. 1 (+) — Chassis ground (-):</i>	Is the voltage more than 10 V?	Go to step 4.	Repair the short circuit in harness for power supply line.
4 CHECK A/C CONTROL MODULE POWER CIRCUIT. Measure the voltage between A/C control module connector terminal and chassis ground when turning the ignition switch to ACC. <i>Connector & terminal</i> <i>(B283) No. 2 (+) — Chassis ground (-):</i>	Is the voltage more than 10 V?	Go to step 5.	Repair the short circuit in harness for power supply line.
5 CHECK A/C CONTROL MODULE POWER CIRCUIT. Measure the voltage between A/C control module connector terminal and chassis ground when turning the ignition switch to ON. <i>Connector & terminal</i> <i>(B282) No. 8 (+) — Chassis ground (-):</i>	Is the voltage more than 10 V?	Go to step 6.	Repair the short circuit in harness for power supply line.
6 CHECK A/C CONTROL MODULE GROUND CIRCUIT. Measure the resistance of harness between A/C control module and chassis ground. <i>Connector & terminal</i> <i>(B283) No. 12 — Chassis ground:</i>	Is the resistance less than 5 Ω ?	Go to step 7.	Repair the short circuit in harness for ground line.
7 CHECK POOR CONTACT. Check poor contact in A/C control module connector.	Is there poor contact in connector?	Repair the connector.	Replace the A/C control module.

Diagnostics for A/C System Malfunction

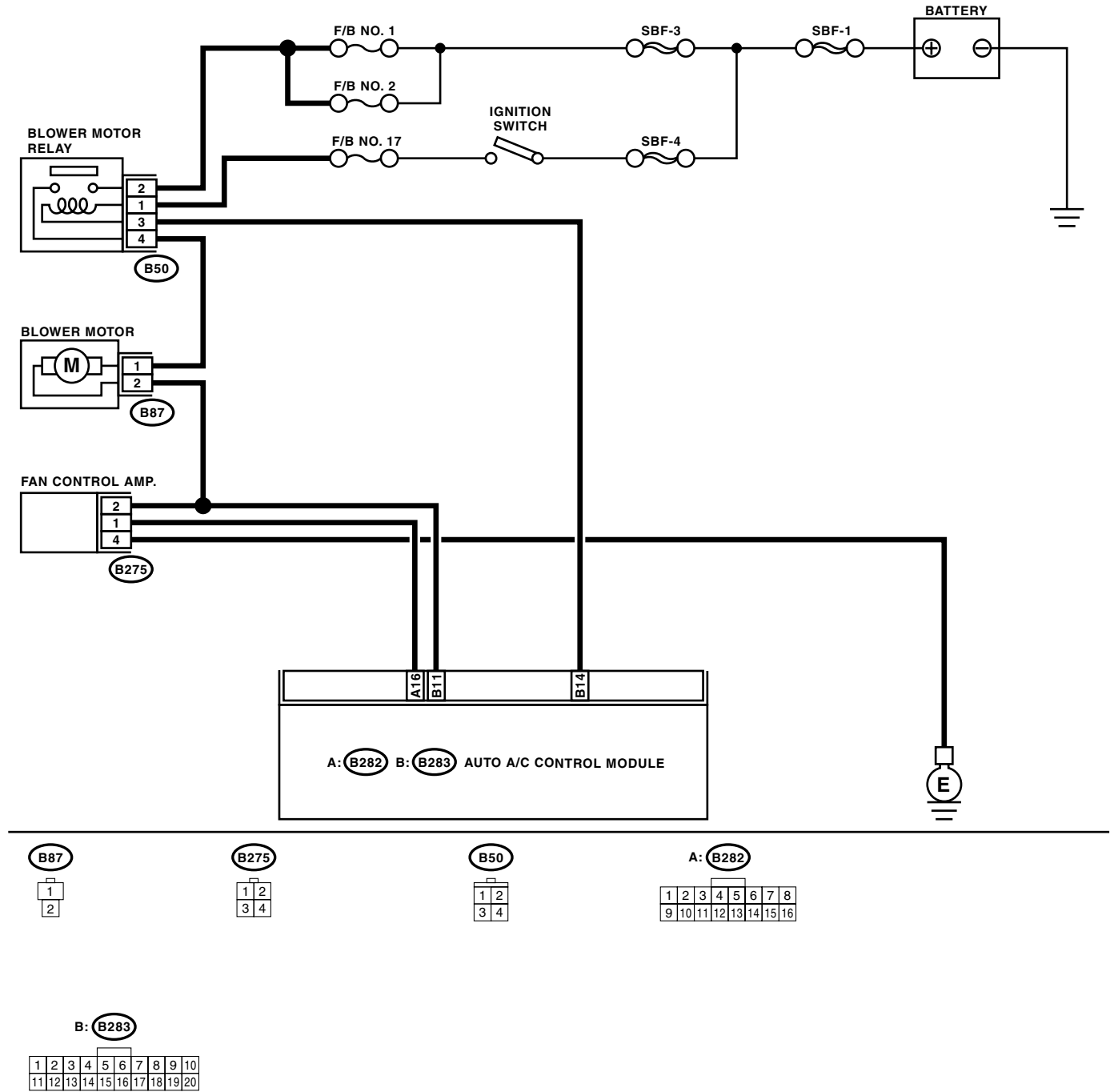
HVAC SYSTEM (AUTO A/C) (DIAGNOSTICS)

B: BLOWER MOTOR IS NOT ROTATED

TROUBLE SYMPTOM:

- Blower motor is not rotated.
- Blower motor is not rotated in "HI".

WIRING DIAGRAM:



AC-00670

Diagnostics for A/C System Malfunction

HVAC SYSTEM (AUTO A/C) (DIAGNOSTICS)

Step	Check	Yes	No
1 CHECK FUSE. 1)Remove the No.1, No. 2 and No. 17 fuses in fuse & relay box. 2)Check the condition of fuses.	Are any of the fuses blown-out?	Replace the fuse.	Go to step 2.
2 CHECK POWER SUPPLY TO BLOWER FAN MOTOR. 1)Turn the ignition switch to ON. 2)Turn the blower switch to ON. 3)Measure the voltage between blower fan motor and chassis ground. Connector & terminal (B87) No. 1 (+) — Chassis ground (-):	Is the voltage more than 10 V?	Go to step 3.	Repair the open circuit in harness for blower fan motor power supply line.
3 CHECK BLOWER FAN MOTOR RELAY. 1)Turn the ignition switch to OFF. 2)Remove the blower fan motor relay. 3)Connect the battery positive (+) terminal to No. 1 terminal and negative (-) terminal to No. 3 terminal of blower fan motor connector. 4)Measure the resistance between No. 2 and No. 4 terminals. Terminals No. 2 — No. 4:	Is the resistance less than 1 Ω ?	Go to step 4.	Replace the blower fan motor relay.
4 CHECK BLOWER FAN MOTOR. 1)Disconnect the connector from blower fan motor. 2)Connect the battery positive (+) terminal to No.1 terminal and negative (-) terminal to No.2 terminal of blower fan motor connector. 3)Make sure that the blower fan motor is operated.	Does the blower fan motor operate?	Go to step 5.	Replace the blower fan motor.
5 CHECK POOR CONTACT. Check poor contact in A/C control module connector.	Is there poor contact in connector?	Repair the connector.	Replace the A/C control module.

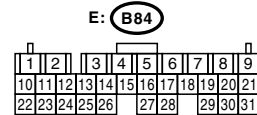
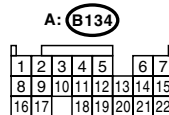
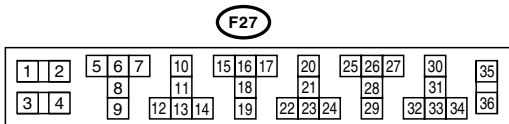
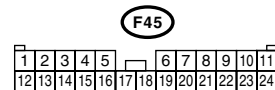
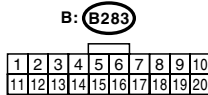
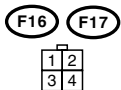
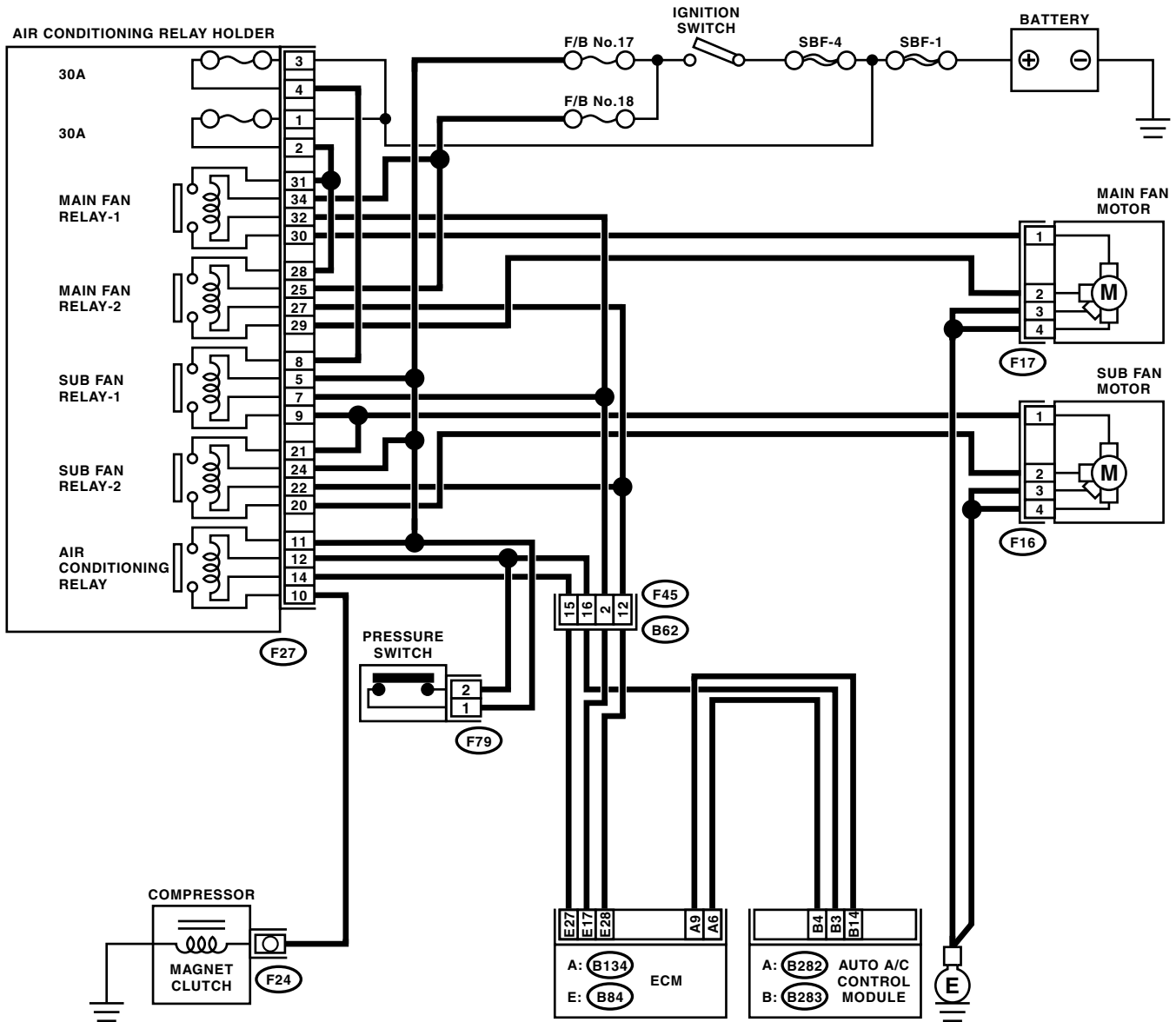
Diagnostics for A/C System Malfunction

HVAC SYSTEM (AUTO A/C) (DIAGNOSTICS)

C: COMPARTMENT TEMPERATURE IS NOT CHANGED OR A/C SYSTEM DOES NOT RESPOND QUICKLY

WIRING DIAGRAM:

- FOR LHD DOHC TURBO MODEL

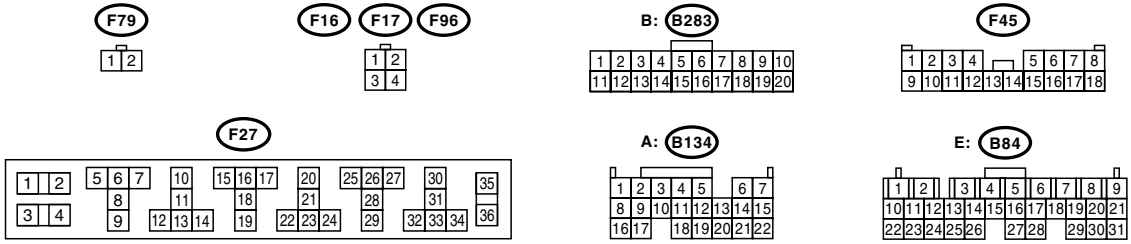
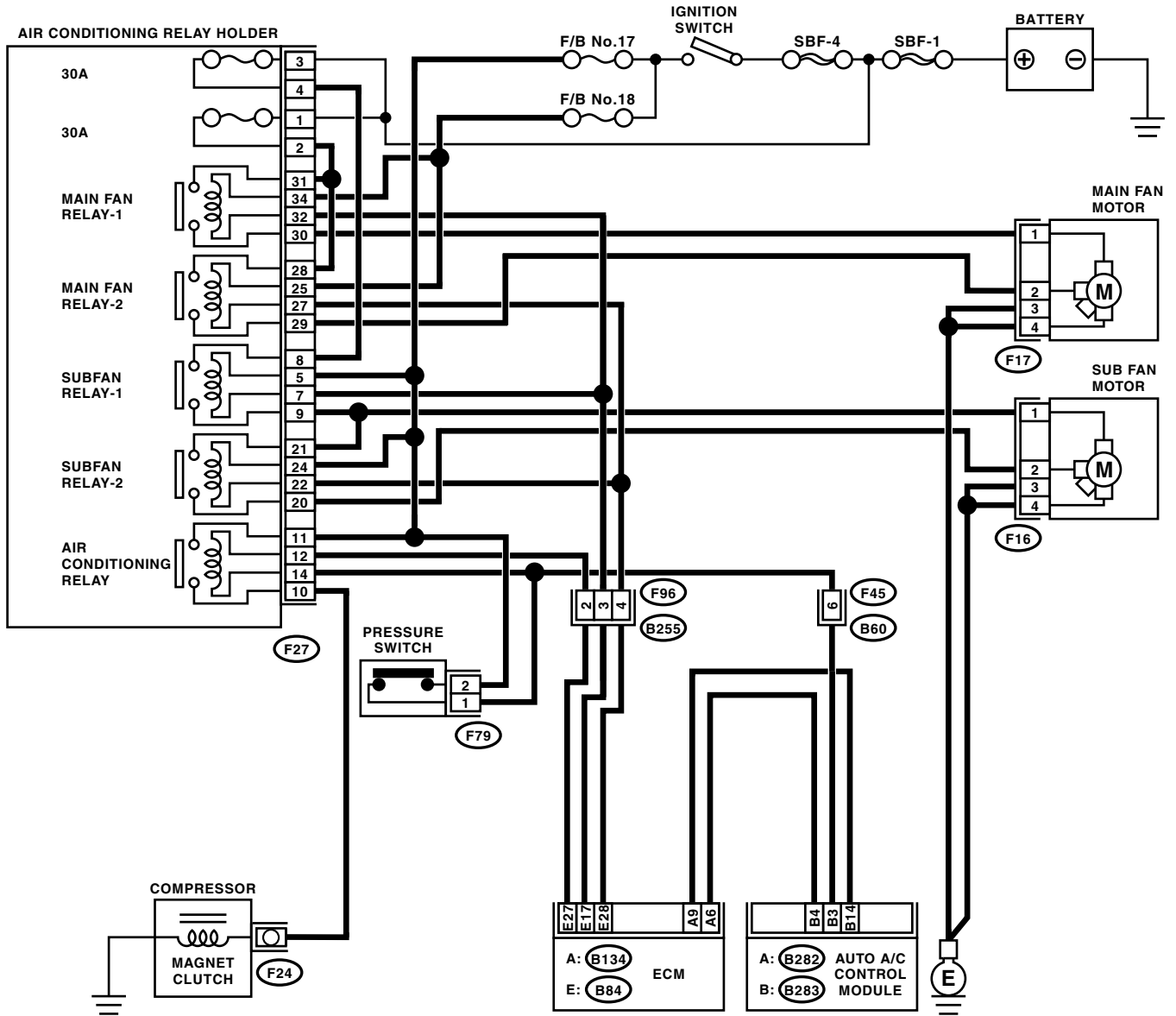


AC-00983

Diagnosics for A/C System Malfunction

HVAC SYSTEM (AUTO A/C) (DIAGNOSTICS)

- FOR RHD DOHC TURBO MODEL

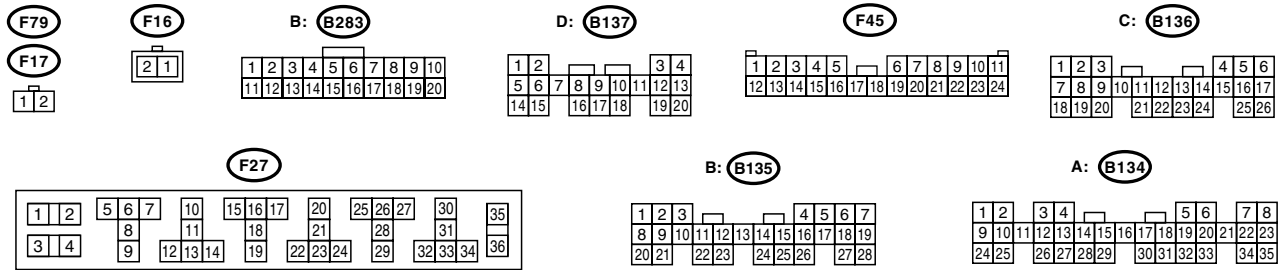
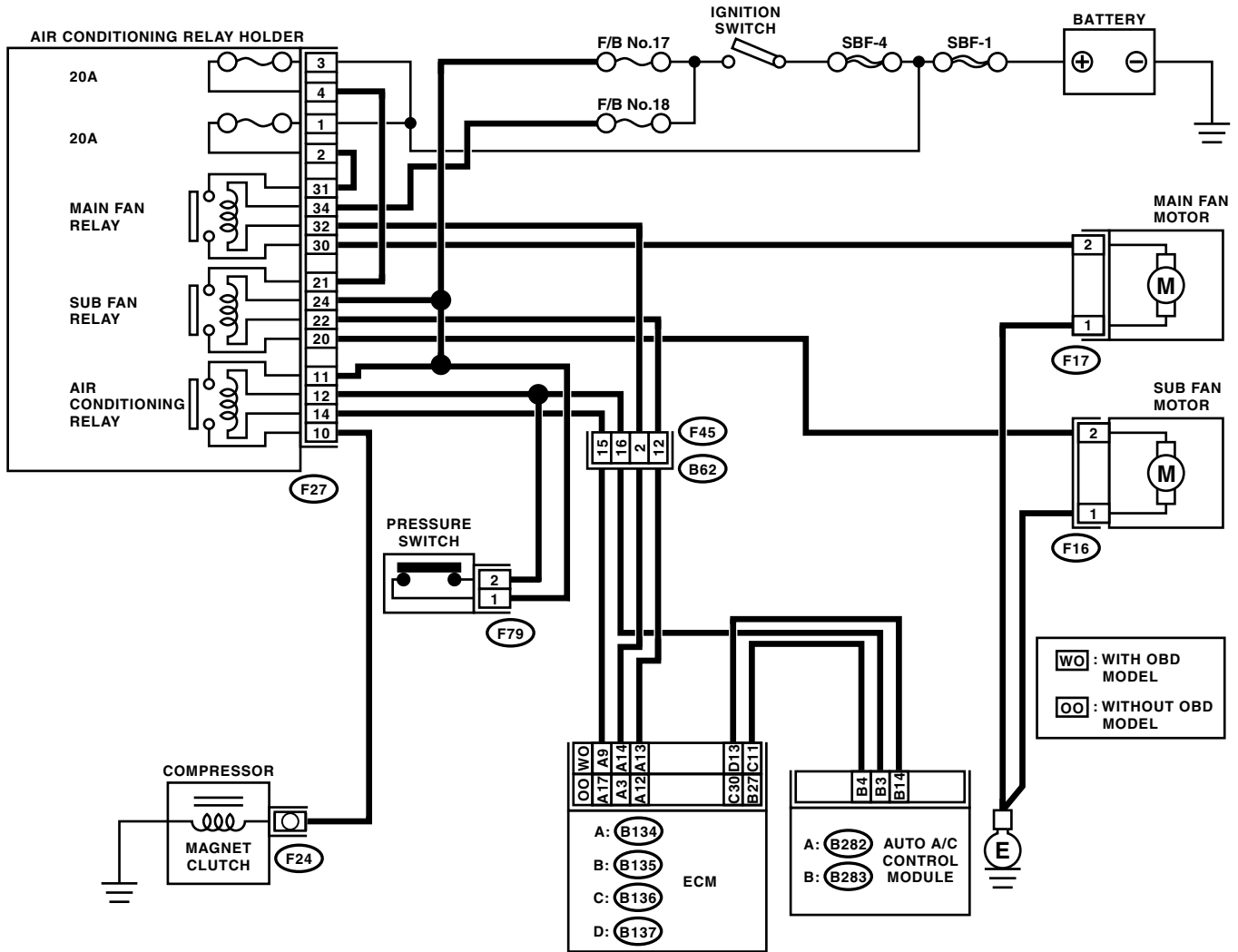


AC-00984

Diagnostics for A/C System Malfunction

HVAC SYSTEM (AUTO A/C) (DIAGNOSTICS)

- FOR LHD SOHC MODEL

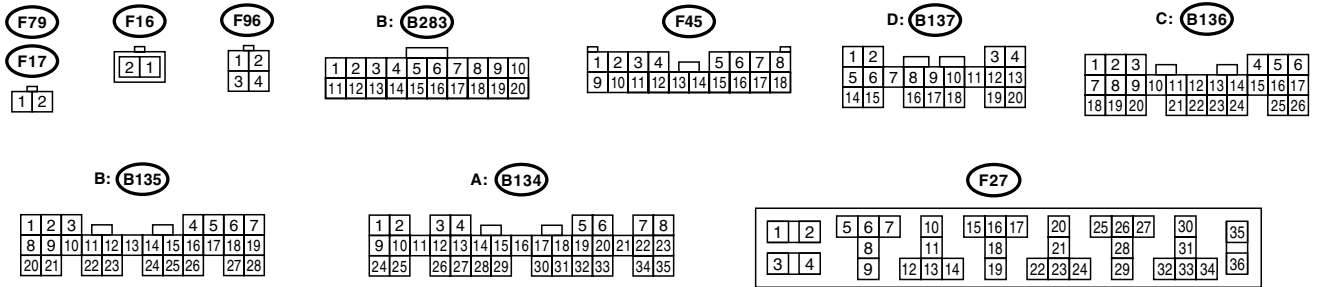
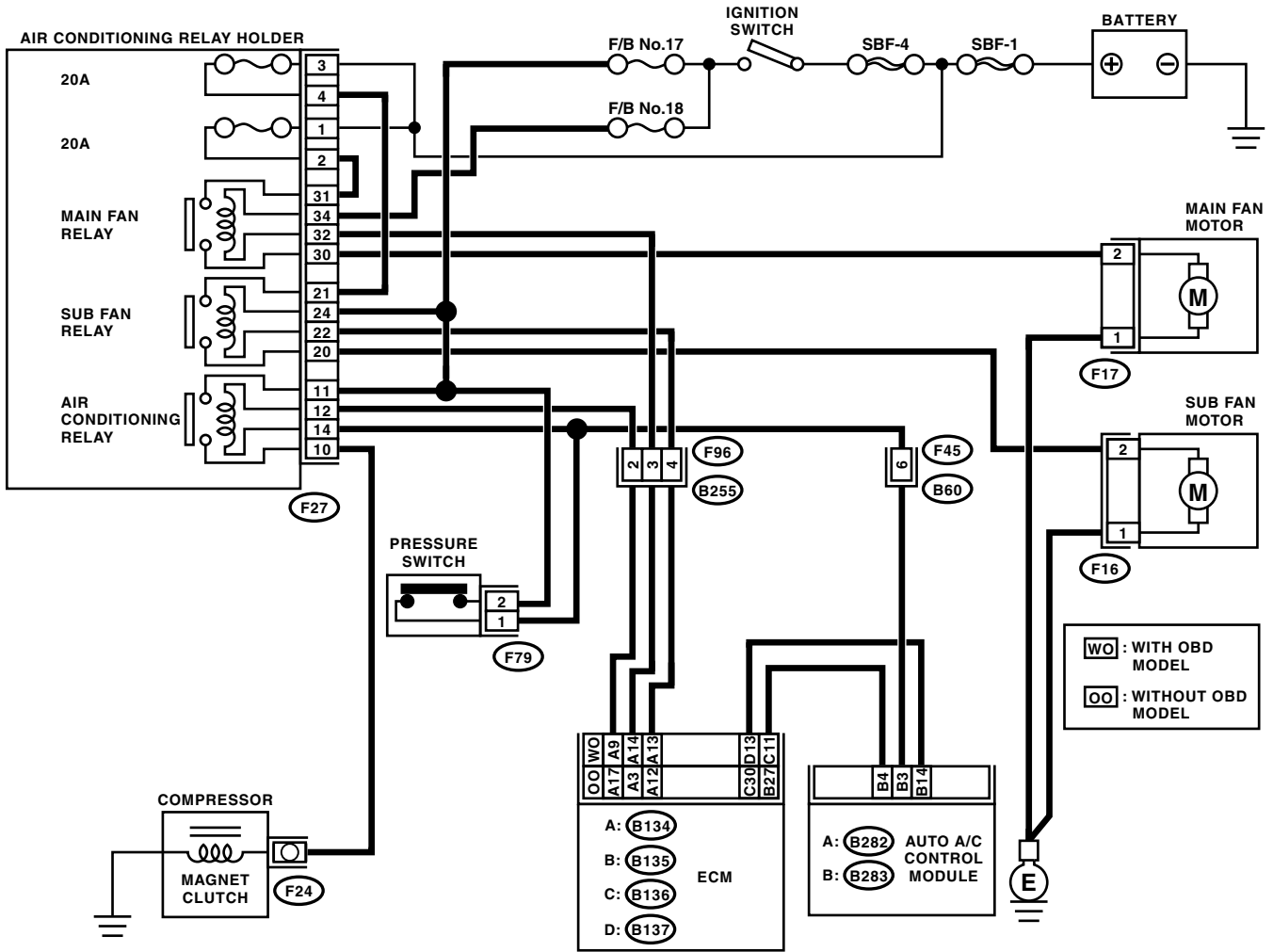


AC-00985

Diagnostics for A/C System Malfunction

HVAC SYSTEM (AUTO A/C) (DIAGNOSTICS)

- FOR RHD SOHC MODEL



AC-00986

Diagnostics for A/C System Malfunction

HVAC SYSTEM (AUTO A/C) (DIAGNOSTICS)

Step	Check	Yes	No
1 CHECK FUSE. 1) Turn the ignition switch to OFF. 2) Remove the No. 2 fuse in main fuse box. 3) Check the condition of fuse.	Is the fuse blown-out?	Replace the fuse.	Go to step 2.
2 CHECK POWER SUPPLY TO MAGNET CLUTCH OF A/C COMPRESSOR. 1) Start the engine, and turn A/C switch to ON. 2) Set the temperature control dial to maximum cold position. 3) Measure the voltage between magnet clutch connector and chassis ground. Connector & terminal (F24) No. 1 (+) — Chassis ground (-):	Is the voltage more than 10 V?	Go to step 3.	Repair the open circuit in harness for power supply line of the A/C compressor.
3 CHECK SIGNAL VOLTAGE TO A/C RELAY. 1) Stop the engine, and turn the ignition switch to ON. 2) Measure the signal voltage between A/C relay and chassis ground. Connector & terminal (F27) No. 12 (+) — Chassis ground (-):	Is the voltage more than 10 V?	Go to step 4.	Repair the open circuit in harness for A/C relay signal circuit.
4 CHECK A/C RELAY. 1) Remove the A/C relay in main fuse box. 2) Check the A/C relay. <Ref. to AC-37, INSPECTION, Relay and Fuse.>	Is the operation of the relay OK?	Go to step 5.	Replace the A/C relay.
5 CHECK OPERATION OF MAIN FAN MOTOR. 1) Start the engine. 2) Turn the A/C switch to ON. 3) Check the operation of main fan motor.	Does the radiator main fan operate?	Go to step 10.	Go to step 6.
6 CHECK POWER SUPPLY TO MAIN FAN MOTOR. CAUTION: Be careful not to overheat the engine during repair. 1) Turn the ignition switch to OFF. 2) Disconnect the connector from main fan motor. 3) Start the engine, and warm it up until engine coolant temperature increases over 95°C (203°F). 4) Stop the engine and turn ignition switch to ON. 5) Measure the voltage between main fan motor connector and chassis ground. Connector & terminal DOHC Turbo model: (F17) No. 1, 2 (+) — Chassis ground (-): Non-turbo model: (F17) No. 2 (+) — Chassis ground (-):	Is the voltage more than 10 V?	Go to step 7.	Repair the open circuit in harness for power supply circuit.
7 CHECK GROUND CIRCUIT OF MAIN FAN MOTOR. 1) Turn the ignition switch to OFF. 2) Measure the resistance between main fan motor connector and chassis ground. Connector & terminal DOHC Turbo model: (F17) No. 3, 4 — Chassis ground: SOHC model: (F17) No. 1 — Chassis ground:	Is the resistance less than 1 Ω?	Go to step 8.	Repair the open circuit in harness between main fan motor connector and chassis ground.

Diagnostics for A/C System Malfunction

HVAC SYSTEM (AUTO A/C) (DIAGNOSTICS)

Step	Check	Yes	No
8 CHECK POOR CONTACT. Check poor contact in main fan motor connector.	Is there poor contact in main fan motor connector?	Repair the poor contact in main fan motor connector.	Go to step 9.
9 CHECK MAIN FAN MOTOR. Connect the battery positive (+) terminal to terminal No. 1 and 2 (DOHC turbo model) or No.2 (SOHC model), and negative (-) terminal to terminal No. 3 and 4 (DOHC turbo model) or No.1 (SOHC model).	Does the main fan rotate?	Repair the poor contact in main fan motor connector.	Replace the main fan motor with a new one.
10 CHECK OPERATION OF SUB FAN MOTOR. Check the operation of sub fan motor.	Does the radiator sub fan operate?	Go to step 15.	Go to step 11.
11 CHECK POWER SUPPLY TO SUB FAN MOTOR. CAUTION: Be careful not to overheat the engine during repair. 1) Turn the ignition switch to OFF. 2) Disconnect the connector from sub fan motor. 3) Start the engine, and warm it up until engine coolant temperature increases over 100°C (212°F). 4) Stop the engine and turn the ignition switch to ON. 5) Measure the voltage between sub fan motor connector and chassis ground. Connector & terminal DOHC Turbo model: (F16) No. 1, 2 (+) — Chassis ground (-): SOHC model: (F16) No. 2 (+) — Chassis ground (-):	Is the voltage more than 10 V?	Go to step 12.	Repair the open circuit in harness for power supply circuit.
12 CHECK GROUND CIRCUIT OF SUB FAN MOTOR. 1) Turn the ignition switch to OFF. 2) Measure the resistance between sub fan motor connector and chassis ground. Connector & terminal DOHC Turbo model: (F16) No. 3, 4 — Chassis ground: SOHC model: (F16) No. 1 — Chassis ground:	Is the resistance less than 1 Ω?	Go to step 13.	Repair the open circuit in harness between sub fan motor connector and chassis ground.
13 CHECK POOR CONTACT. Check poor contact in sub fan motor connector.	Is there poor contact in sub fan motor connector?	Repair the poor contact in sub fan motor connector.	Go to step 14.
14 CHECK SUB FAN MOTOR. Connect the battery positive (+) terminal to terminal No. 1 and 2 (DOHC turbo model) or No.2 (SOHC model), and negative (-) terminal to terminal No. 3 and 4 (DOHC turbo model) or No.1 (SOHC model).	Does the sub fan rotate?	Repair the poor contact in sub fan motor connector.	Replace the sub fan motor with a new one.
15 CHECK EACH SENSOR AND POTENTIOMETER. Check the sensors and potentiometer for proper operation using the self-diagnostic function. <Ref. to AC(diag)-9, Diagnostics Chart for Self-diagnosis.>	Is the operation of each sensor and potentiometer normal?	Go to step 16.	Check the sensor and circuit. <Ref. to AC(diag)-29, Diagnostic Procedure for Sensors.>

Diagnostics for A/C System Malfunction

HVAC SYSTEM (AUTO A/C) (DIAGNOSTICS)

Step	Check	Yes	No
16 CHECK CONNECTION OF ASPIRATOR DUCT. Make sure the connection of aspirator duct is correct.	Is the connection of aspirator duct correct?	Repair the aspirator duct connection.	Go to step 17 .
17 CHECK EACH ACTUATOR. Check the actuators for proper operation using the self-diagnostic function. <Ref. to AC(diag)-9, Diagnostics Chart for Self-diagnosis.>	Is the operation of each actuator normal?	Go to step 18 .	Check the actuator and circuit. <Ref. to AC(diag)-23, Diagnostic Procedure for Actuators.>
18 CHECK POOR CONTACT. Check poor contact in A/C control module connector.	Is there poor contact in connector?	Repair the connector.	Replace the A/C control module.

Diagnostic Procedure for Actuators

HVAC SYSTEM (AUTO A/C) (DIAGNOSTICS)

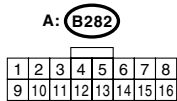
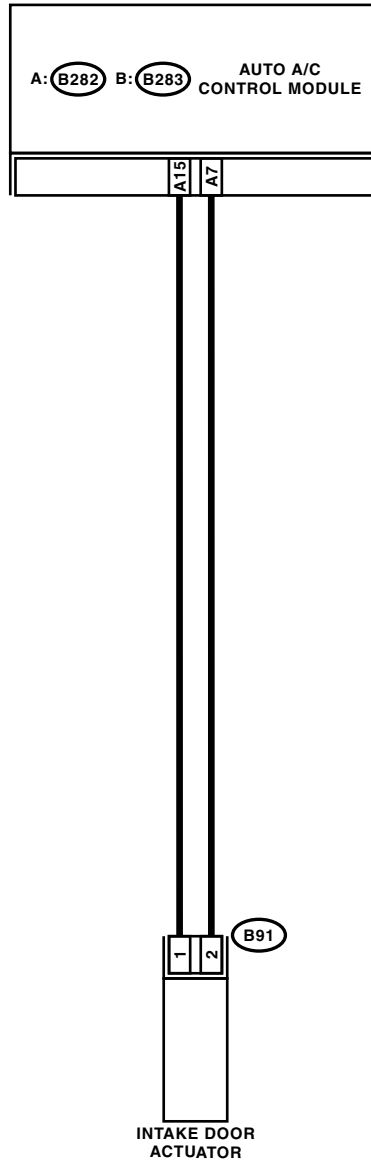
7. Diagnostic Procedure for Actuators

A: INTAKE DOOR ACTUATOR

TROUBLE SYMPTOM:

FRESH/RECIRC mode is not changed.

WIRING DIAGRAM:



AC-00675

Diagnostic Procedure for Actuators

HVAC SYSTEM (AUTO A/C) (DIAGNOSTICS)

Step	Check	Yes	No
1 CHECK FUSE. 1)Remove the No. 17 fuse in fuse & relay box. 2)Check the condition of fuse.	Is the fuse blown-out?	Replace the fuse.	Go to step 2.
2 CHECK SIGNAL VOLTAGE. 1)Change the air intake to RECIRC by pushing FRESH/RECIRC switch. 2)Measure the voltage between A/C control module and chassis ground. <i>Connector & terminal</i> <i>(B282) No. 15 (+) — Chassis ground (-):</i>	Is the voltage less than 1 V?	Go to step 3.	Repair the short circuit in harness for power supply line.
3 CHECK SIGNAL VOLTAGE. 1)Change the air intake to FRESH with pushing FRESH/RECIRC switch. 2)Measure the voltage between A/C control module and chassis ground. <i>Connector & terminal</i> <i>(B282) No. 7 (+) — Chassis ground (-):</i>	Is the voltage less than 1 V?	Go to step 4.	Repair the short circuit in harness for power supply line.
4 CHECK HARNESS CONNECTOR BETWEEN A/C CONTROL MODULE AND FRESH/RECIRC ACTUATOR. 1)Turn the ignition switch to OFF. 2)Disconnect the connector from A/C control module and intake door actuator. 3)Measure the resistance of harness between A/C control module and intake door actuator. <i>Connector & terminal</i> <i>(B282) No. 15 — (B91) No. 1:</i>	Is the resistance less than 1 Ω ?	Go to step 5.	Repair the open circuit in harness between A/C control module and intake door actuator.
5 CHECK HARNESS CONNECTOR BETWEEN A/C CONTROL MODULE AND FRESH/RECIRC ACTUATOR. Measure the resistance of harness between A/C control module and intake door actuator. <i>Connector & terminal</i> <i>(B282) No. 7 — (B91) No. 2:</i>	Is the resistance less than 1 Ω ?	Go to step 6.	Repair the open circuit in harness between A/C control module and intake door actuator.
6 CHECK POOR CONTACT. Check poor contact in A/C control module connector.	Is there poor contact in connector?	Repair the connector.	Replace the A/C control module.

Diagnostic Procedure for Actuators

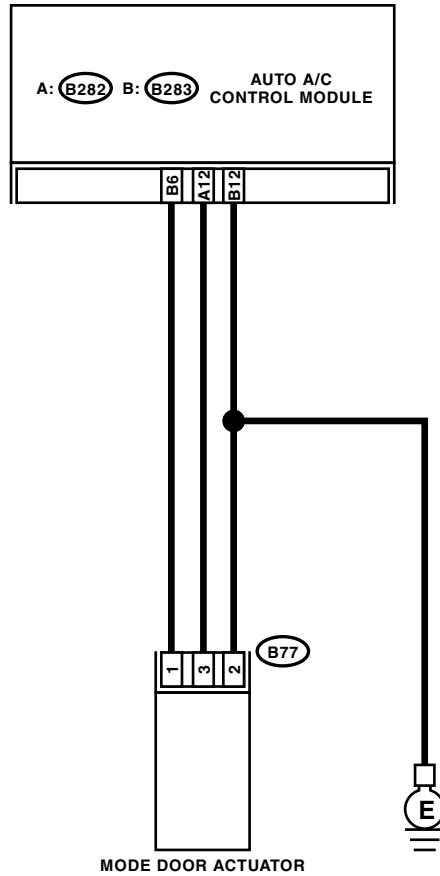
HVAC SYSTEM (AUTO A/C) (DIAGNOSTICS)

B: MODE DOOR ACTUATOR

TROUBLE SYMPTOM:

Air flow outlet is not changed.

WIRING DIAGRAM:



B77

1
2
3

A: B282

1	2	3	4	5	6	7	8
9	10	11	12	13	14	15	16

B: B283

1	2	3	4	5	6	7	8	9	10
11	12	13	14	15	16	17	18	19	20

AC-00676

Diagnostic Procedure for Actuators

HVAC SYSTEM (AUTO A/C) (DIAGNOSTICS)

Step	Check	Yes	No
1 CHECK POWER SUPPLY FOR AUTO A/C CONTROL MODULE SIDE. 1) Turn the ignition switch to ON. 2) Turn the A/C switch to ON. 3) Measure the voltage between auto A/C control module harness connector terminal and chassis ground. <i>Connector & terminal</i> <i>(B283) No. 6 (+) — Chassis ground (-):</i>	Is the voltage more than 10 V?	Go to step 2.	Replace the auto A/C control module.
2 CHECK POWER SUPPLY FOR ACTUATOR SIDE. Measure the voltage between mode door actuator harness connector terminal and chassis ground. <i>Connector & terminal</i> <i>(B77) No. 1 (+) — Chassis ground (-):</i>	Is the voltage more than 10 V?	Go to step 3.	Repair the open circuit in harness between auto A/C control module and mode door actuator.
3 CHECK SIGNAL FOR AUTO A/C CONTROL MODULE SIDE. Measure the voltage between auto A/C control module harness connector terminal and chassis ground with oscilloscope. <i>Connector & terminal</i> <i>(B282) No. 12 (+) — Chassis ground (-):</i>	Is the voltage approx. 5.5 V?	Go to step 4.	Replace the auto A/C control module.
4 CHECK SIGNAL FOR ACTUATOR SIDE. Measure the voltage between mode door actuator harness connector terminal and chassis ground. <i>Connector & terminal</i> <i>(B77) No. 3 (+) — Chassis ground (-):</i>	Is the voltage approx. 5.5 V?	Go to step 5.	Repair the open circuit in harness between auto A/C control module and mode door actuator.
5 CHECK GROUND CIRCUIT OF ACTUATOR. 1) Turn the ignition switch and A/C switch to OFF. 2) Measure the resistance between mode door actuator harness connector terminal and chassis ground. <i>Connector & terminal</i> <i>(B77) No. 2 — Chassis ground:</i>	Is the resistance less than 1 Ω ?	Go to step 6.	Repair the open circuit in harness between mode door actuator and chassis ground.
6 CHECK POOR CONTACT. Check poor contact in auto A/C control module connector.	Is there poor contact in connector?	Repair the connector.	Replace the A/C control module.

Diagnostic Procedure for Actuators

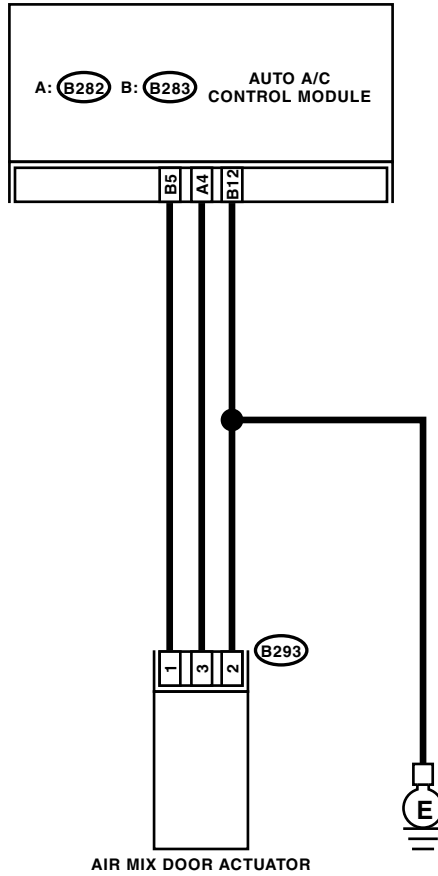
HVAC SYSTEM (AUTO A/C) (DIAGNOSTICS)

C: AIR MIX DOOR ACTUATOR

TROUBLE SYMPTOM:

Outlet air temperature is not changed.

WIRING DIAGRAM:



B293

1
2
3

A: B282

1	2	3	4	5	6	7	8
9	10	11	12	13	14	15	16

B: B283

1	2	3	4	5	6	7	8	9	10
11	12	13	14	15	16	17	18	19	20

AC-00677

Diagnostic Procedure for Actuators

HVAC SYSTEM (AUTO A/C) (DIAGNOSTICS)

Step	Check	Yes	No
1 CHECK POWER SUPPLY FOR AUTO A/C CONTROL MODULE SIDE. 1) Turn the ignition switch to ON. 2) Turn the A/C switch to ON. 3) Measure the voltage between auto A/C control module harness connector terminal and chassis ground. <i>Connector & terminal</i> <i>(B283) No. 5 (+) — Chassis ground (-):</i>	Is the voltage more than 10 V?	Go to step 2.	Replace the auto A/C control module.
2 CHECK POWER SUPPLY FOR ACTUATOR SIDE. Measure the voltage between air mix door actuator harness connector terminal and chassis ground. <i>Connector & terminal</i> <i>(B293) No. 1 (+) — Chassis ground (-):</i>	Is the voltage more than 10 V?	Go to step 3.	Repair the open circuit in harness between auto A/C control module and air mix door actuator.
3 CHECK SIGNAL FOR AUTO A/C CONTROL MODULE SIDE. Measure the voltage between auto A/C control module harness connector terminal and chassis ground with oscilloscope. <i>Connector & terminal</i> <i>(B282) No. 4 (+) — Chassis ground (-):</i>	Is the voltage approx. 5.5 V?	Go to step 4.	Replace the auto A/C control module.
4 CHECK SIGNAL FOR ACTUATOR SIDE. Measure the voltage between air mix door actuator harness connector terminal and chassis ground with oscilloscope. <i>Connector & terminal</i> <i>(B293) No. 3 (+) — Chassis ground (-):</i>	Is the voltage approx. 5.5 V?	Go to step 5.	Repair the open circuit in harness between auto A/C control module and air mix door actuator.
5 CHECK GROUND CIRCUIT OF ACTUATOR. 1) Turn the ignition switch and A/C switch to OFF. 2) Measure the resistance between air mix door actuator harness connector terminal and chassis ground. <i>Connector & terminal</i> <i>(B293) No. 2 — Chassis ground:</i>	Is the resistance less than 1 Ω ?	Go to step 6.	Repair the open circuit in harness between air mix door actuator and chassis ground.
6 CHECK POOR CONTACT. Check poor contact in auto A/C control module connector.	Is there poor contact in connector?	Repair the connector.	Replace the A/C control module.

Diagnostic Procedure for Sensors

HVAC SYSTEM (AUTO A/C) (DIAGNOSTICS)

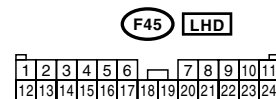
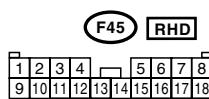
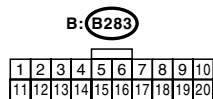
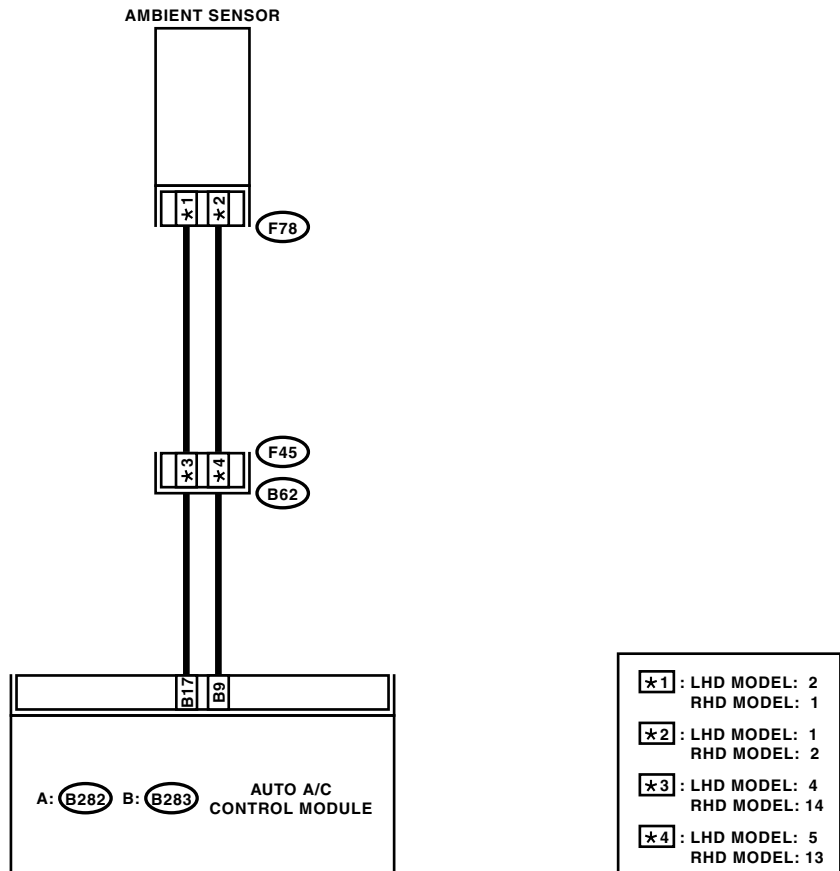
8. Diagnostic Procedure for Sensors

A: AMBIENT SENSOR

TROUBLE SYMPTOM:

Fan speed is not switched when the fan speed control dial is in AUTO position.

WIRING DIAGRAM:



AC-00678

Diagnostic Procedure for Sensors

HVAC SYSTEM (AUTO A/C) (DIAGNOSTICS)

Step	Check	Yes	No
1 CHECK AMBIENT SENSOR. 1) Turn the ignition switch to OFF. 2) Disconnect the connector from ambient sensor. 3) Measure the resistance between connector terminals of ambient sensor. <i>Terminals</i> <i>No. 1 — No. 2:</i>	Is the resistance approx. 2.2 k Ω at 25°C (77°F)?	Go to step 2.	Replace the ambient sensor.
2 CHECK INPUT SIGNALS FOR AMBIENT SENSOR. 1) Turn the ignition ON. 2) Measure the voltage between (F78) connector terminals. <i>Connector & terminal</i> <i>LHD model:</i> <i>(F78) No. 1 (+) — No. 2 (-):</i> <i>RHD model:</i> <i>(F78) No. 2 (+) — No. 1 (-):</i>	Is the voltage approx. 5 V?	Go to step 6.	Go to step 3.
3 CHECK OUTPUT SIGNALS FROM A/C CONTROL MODULE. 1) Turn the ignition switch to OFF. 2) Pull out the A/C control unit. 3) Disconnect the connector from ambient sensor. 4) Turn the ignition switch to ON. 5) Measure the voltage between connector terminals of A/C control module. <i>Connector & terminal</i> <i>(B283) No. 9 (+) — No. 17 (-):</i>	Is the voltage approx. 5 V?	Go to step 4.	Go to step 6.
4 CHECK HARNESS CONNECTOR BETWEEN A/C CONTROL MODULE AND AMBIENT SENSOR. 1) Turn the ignition switch to OFF. 2) Disconnect the connectors from A/C control module. 3) Measure the resistance of harness between A/C control module and ambient sensor. <i>Connector & terminal</i> <i>LHD model:</i> <i>(F78) No. 1 — (B283) No. 9:</i> <i>RHD model:</i> <i>(F78) No. 2 — (B283) No. 9:</i>	Is the resistance less than 1 Ω ?	Go to step 5.	Repair the open circuit in harness between A/C control module and ambient sensor.
5 CHECK HARNESS CONNECTOR BETWEEN A/C CONTROL MODULE AND AMBIENT SENSOR. Measure the resistance of harness between A/C control module and ambient sensor. <i>Connector & terminal</i> <i>LHD model:</i> <i>(F78) No. 2 — (B283) No. 17:</i> <i>RHD model:</i> <i>(F78) No. 1 — (B283) No. 17:</i>	Is the resistance less than 1 Ω ?	Go to step 6.	Repair the open circuit in harness between A/C control module and ambient sensor.
6 CHECK POOR CONTACT. Check poor contact in A/C control module connector.	Is there poor contact in connector?	Repair the connector.	Replace the A/C control module.

Diagnostic Procedure for Sensors

HVAC SYSTEM (AUTO A/C) (DIAGNOSTICS)

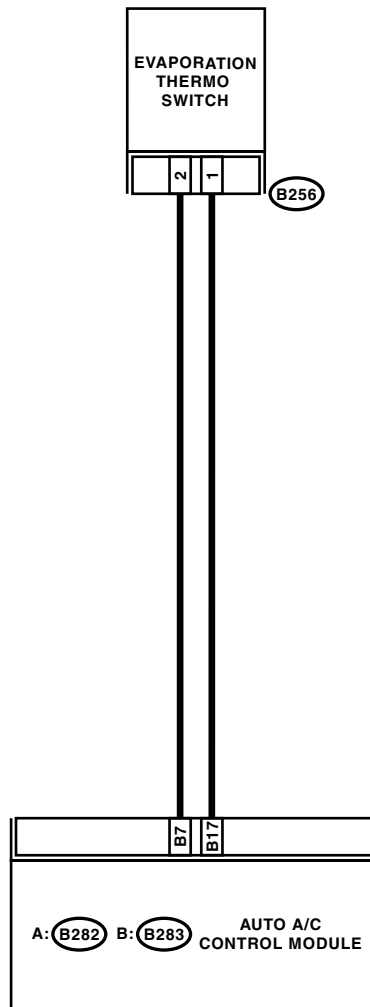
B: IN-VEHICLE SENSOR

TROUBLE SYMPTOM:

- When turning the AUTO switch to ON, blower fan speed, outlet port and inlet port is not changed.
- If the switch LED indicates that the sensor is malfunctioning, replace the A/C control module. The in-vehicle sensor is built into the A/C control module and cannot be replaced as a single unit.

C: EVAPORATOR SENSOR

WIRING DIAGRAM:



(B256)

B: (B283)

1 2

1	2	3	4	5	6	7	8	9	10
11	12	13	14	15	16	17	18	19	20

AC-00679

Diagnostic Procedure for Sensors

HVAC SYSTEM (AUTO A/C) (DIAGNOSTICS)

Step	Check	Yes	No
1 CHECK EVAPORATOR SENSOR. 1) Turn the ignition switch to OFF. 2) Remove the glove box. 3) Disconnect the connector from evaporator sensor. 4) Measure the resistance between connector terminals of evaporator sensor. <i>Terminals</i> <i>No. 1 — No. 2</i>	Is the resistance approx. 3.3 k Ω at 20°C (68°F)?	Go to step 2.	Replace the evaporator sensor.
2 CHECK INPUT SIGNALS FOR EVAPORATOR SENSOR. 1) Turn the ignition switch to ON. 2) Measure the voltage between connector terminal and chassis ground. <i>Connector & terminal</i> <i>(B256) No. 2 (+) — Chassis ground (-):</i>	Is the voltage approx. 5 V?	Go to step 6.	Go to step 3.
3 CHECK OUTPUT SIGNALS FROM A/C CONTROL MODULE. 1) Turn the ignition switch to OFF. 2) Pull out the A/C control module. 3) Turn the ignition switch to ON. 4) Measure the voltage between A/C control module connector terminals. <i>Connector & terminal</i> <i>(B283) No. 7 (+) — No. 17 (-):</i>	Is the voltage approx. 5 V?	Go to step 4.	Go to step 6.
4 CHECK HARNESS CONNECTOR BETWEEN A/C CONTROL MODULE AND EVAPORATOR SENSOR. 1) Turn the ignition switch to OFF. 2) Disconnect the connectors from A/C control module. 3) Measure the resistance of harness between A/C control module and evaporator sensor. <i>Connector & terminal</i> <i>(B256) No. 2 — (B283) No. 7:</i>	Is the resistance less than 1 Ω ?	Go to step 5.	Repair the open circuit in harness between A/C control module and evaporator sensor.
5 CHECK HARNESS CONNECTOR BETWEEN A/C CONTROL MODULE AND EVAPORATOR SENSOR. Measure the resistance of harness between A/C control module and evaporator sensor. <i>Connector & terminal</i> <i>(B256) No. 1 — (B283) No. 17:</i>	Is the resistance less than 1 Ω ?	Go to step 6.	Repair the open circuit in harness between A/C control module and evaporator sensor.
6 CHECK POOR CONTACT. Check poor contact in A/C control module connector.	Is there poor contact in connector?	Repair the connector.	Replace the A/C control module.

Diagnostic Procedure for Sensors

HVAC SYSTEM (AUTO A/C) (DIAGNOSTICS)

D: SUNLOAD SENSOR

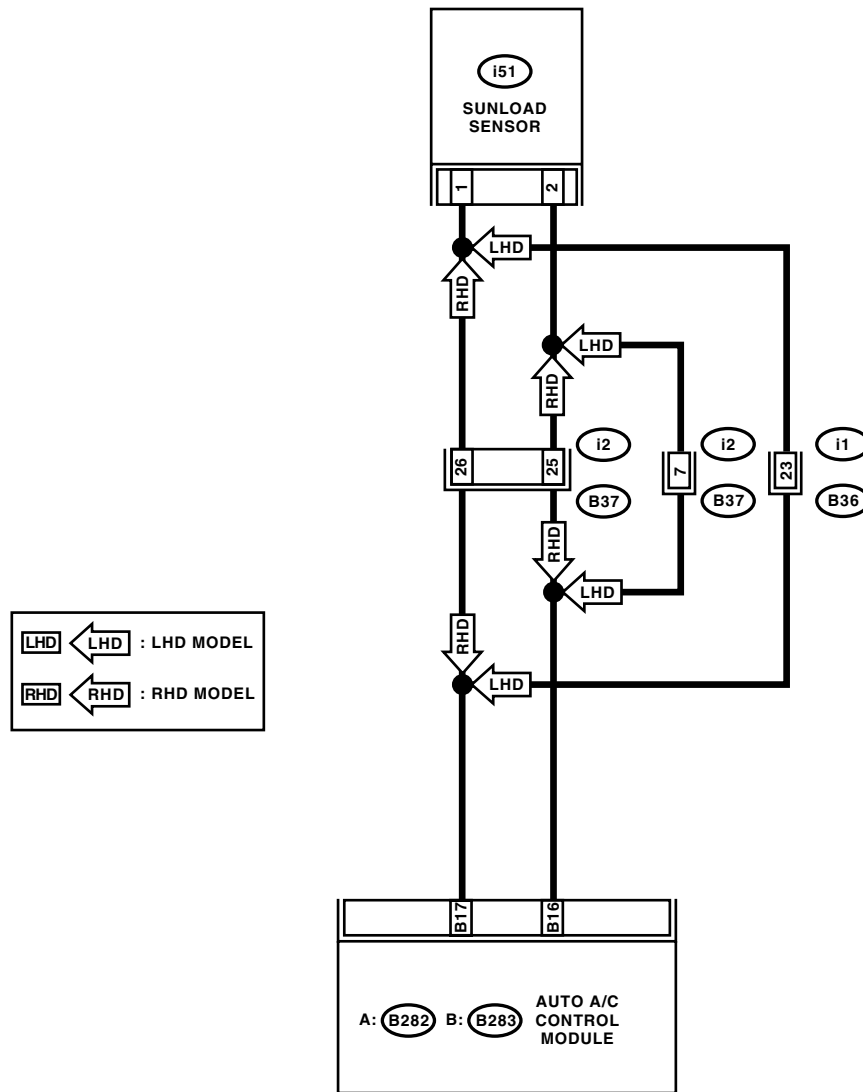
TROUBLE SYMPTOM:

- Sensor identified that sunlight is at maximum. Then, A/C system is controlled to COOL side.
- Sensor identified that sunlight is at minimum. Then, A/C system is controlled to HOT side.

NOTE:

When the sunload sensor is checked indoors or in the shade, open circuit might be indicated. Always check the sunload sensor at a place where sun shines directly on it.

WIRING DIAGRAM:



i51

1 2

B: B283

1	2	3	4	5	6	7	8	9	10	11	12	13	14	15	16	17	18	19	20
---	---	---	---	---	---	---	---	---	----	----	----	----	----	----	----	----	----	----	----

i2 : RHD

1	2	3	4	5	6	7	8	9	10	11	12	13	14	15	16	17	18	19	20	21	22	23	24	25	26	27	28	29	30	31	32
---	---	---	---	---	---	---	---	---	----	----	----	----	----	----	----	----	----	----	----	----	----	----	----	----	----	----	----	----	----	----	----

i2 : LHD

1	2	3	4	5	6	7	8	9	10	11	12	13	14	15	16	17	18	19	20	21	22	23	24
---	---	---	---	---	---	---	---	---	----	----	----	----	----	----	----	----	----	----	----	----	----	----	----

A: B282

1	2	3	4	5	6	7	8	9	10	11	12	13	14	15	16
---	---	---	---	---	---	---	---	---	----	----	----	----	----	----	----

i1

1	2	3	4	5	6	7	8	9	10	11	12	13	14	15	16	17	18	19	20	21	22	23	24
---	---	---	---	---	---	---	---	---	----	----	----	----	----	----	----	----	----	----	----	----	----	----	----

Diagnostic Procedure for Sensors

HVAC SYSTEM (AUTO A/C) (DIAGNOSTICS)

Step	Check	Yes	No
1 CHECK INPUT VOLTAGE TO SUNLOAD SENSOR. 1) Turn the ignition switch to ON. 2) Measure the input voltage to sunload sensor. Connector & terminal (i51) No. 2 (+) — Chassis ground (-):	Is the voltage approx. 5 V?	Go to step 3.	Go to step 2.
2 CHECK HARNESS CONNECTOR BETWEEN A/C CONTROL MODULE AND SUNLOAD SENSOR. 1) Turn the ignition switch to OFF. 2) Disconnect the connectors from A/C control module. 3) Measure the resistance of harness between A/C control module and sunload sensor. Connector & terminal (i51) No. 2 — (B283) No. 16:	Is the resistance less than 1 Ω ?	Go to step 3.	Repair the harness between A/C control module and sunload sensor.
3 CHECK HARNESS CONNECTOR BETWEEN A/C CONTROL MODULE AND SUNLOAD SENSOR. Measure the resistance of harness between A/C control module and sunload sensor. Connector & terminal (i51) No. 1 — (B283) No. 17:	Is the resistance less than 1 Ω ?	Go to step 4.	Repair the harness between A/C control module and sunload sensor.
4 CHECK THE INPUT VOLTAGE TO A/C CONTROL MODULE. 1) Connect the A/C control module connector. 2) Turn the ignition switch to ON. 3) Measure the voltage between A/C control module connector terminals. Connector & terminal (B283) No. 16 (+) — (B283) No. 17 (-):	Is the voltage approx. 2.5 V?	Go to step 5.	Replace the sunload sensor.
5 CHECK POOR CONTACT. Check poor contact in A/C control module connector.	Is there poor contact in connector?	Repair the connector.	Replace the A/C control module.

Symptom Related Diagnostic

HVAC SYSTEM (AUTO A/C) (DIAGNOSTICS)

9. Symptom Related Diagnostic

A: GENERAL DIAGNOSTICS TABLE

Symptom	A/C system fails to operate.	Burned-out fuse.	Illumination does not dim at night.	Blower motor does not rotate or rotates erroneously.	A/C does not change from "Fresh" to "Recirc" or vice versa.	Air outlet cannot be switched.	Compartment temperature does not increase (No hot air is discharged).	Compartment temperature does not decrease (No cool air is discharged).	Compartment temperature is higher than or lower than the set value.	Compartment temperature does not quickly respond to the set value.	Condenser fan does not operate during A/C operation.
Component parts											
Fuses (M/B No. 5, F/B No. 17)	<input type="radio"/>	<input type="radio"/>	<input type="radio"/>	<input type="radio"/>							
Poor connector contacts	<input type="radio"/>	<input type="radio"/>	<input type="radio"/>	<input type="radio"/>	<input type="radio"/>	<input type="radio"/>	<input type="radio"/>	<input type="radio"/>			
Ground	<input type="radio"/>			<input type="radio"/>							
A/C control module	<input type="radio"/>		<input type="radio"/>	<input type="radio"/>	<input type="radio"/>	<input type="radio"/>	<input type="radio"/>	<input type="radio"/>	<input type="radio"/>		
Air mix door actuator and potentiometer (including links)							<input type="radio"/>	<input type="radio"/>	<input type="radio"/>	<input type="radio"/>	
Mode door actuator and potentiometer (including links)						<input type="radio"/>					
Intake door actuator and potentiometer (including links)					<input type="radio"/>						
Blower fan motor	<input type="radio"/>			<input type="radio"/>							
Blower fan relay	<input type="radio"/>			<input type="radio"/>							
A/C relay	<input type="radio"/>							<input type="radio"/>			
Magnet clutch	<input type="radio"/>							<input type="radio"/>			
Radiator fan motors (Main and sub)								<input type="radio"/>			<input type="radio"/>
Radiator fan relays (Main and sub)								<input type="radio"/>			<input type="radio"/>
Sensors (In-vehicle, ambient, water temperature, evaporator, sunload, etc.)	<input type="radio"/> (Evaporator sensor)						<input type="radio"/>	<input type="radio"/>	<input type="radio"/>	<input type="radio"/>	
In-vehicle sensor aspirator duct							<input type="radio"/>	<input type="radio"/>	<input type="radio"/>	<input type="radio"/>	

AC-00681

Symptom Related Diagnostic

HVAC SYSTEM (AUTO A/C) (DIAGNOSTICS)
