

WIRING SYSTEM SECTION

WIRING SYSTEM

WI

This service manual has been prepared to provide SUBARU service personnel with the necessary information and data for the correct maintenance and repair of SUBARU vehicles.

This manual includes the procedures for maintenance, disassembling, reassembling, inspection and adjustment of components and diagnostics for guidance of experienced mechanics.

Please peruse and utilize this manual fully to ensure complete repair work for satisfying our customers by keeping their vehicle in optimum condition. When replacement of parts during repair work is needed, be sure to use SUBARU genuine parts.

All information, illustration and specifications contained in this manual are based on the latest product information available at the time of publication approval.

WIRING SYSTEM



	Page
1. Basic Diagnostics Procedure	3
2. Working Precautions	16
3. Super Multiple Junction (SMJ)	17
4. Power Supply Routing	19
5. Ground Distribution	34
6. Airbag System	48
7. Air Conditioning System	55
8. Anti-lock Brake System	64
9. A/T Control System	71
10. Audio System	82
11. Charging System	87
12. Combination Meter	90
13. Cruise Control System	94
14. Door Lock System	97
15. Engine Coolant Temperature Gauge System	102
16. Engine Electrical System	105
17. Fuel Gauge System	164
18. Full-Time Dual-Range System	167
19. Front Accessory Power Supply System	170
20. Headlight Beam Leveler System	171
21. Horn System	172
22. Immobilizer System	173
23. Keyless Entry System	178
24. Back-up Light System	185
25. Clearance Light and Illumination Light System	186
26. Front Fog Light System	196
27. Headlight System	200
28. In Compartment Light System	203
29. Stop Light System	208
30. Turn Signal Light and Hazard Light System	209
31. Oil Pressure Warning Light System	214
32. Outside Temperature Display System	217
33. Parking Brake and Brake Fluid Level Warning System	220
34. Power Window System	223
35. Radiator Fan System	232
36. Rear Fog Light System	235
37. Rear Window Defogger System	239
38. Remote Controlled Rearview Mirror System	242
39. Seat Belt Warning System	245
40. Starter System	248
41. Sunroof System	251
42. Wiper and Washer System (Front)	252
43. Wiper and Washer System (Rear)	255

WIRING SYSTEM

44.	Overall Systems	258
45.	Front Wiring Harness	260
46.	Bulkhead Wiring Harness (In Engine Room)	266
47.	Bulkhead Wiring Harness (In Compartment)	274
48.	Engine Wiring Harness and Transmission Cord	280
49.	Instrument Panel Wiring Harness	286
50.	Rear Wiring Harness, Bulkhead wiring Harness, Roof Cord and Fuel Tank Cord	290
51.	Door Cord.....	294
52.	Rear Wiring Harness and Trunk Lid Cord	298
53.	Rear Wiring Harness and Rear Gate Cord	300

ENGINE COOLANT TEMPERATURE GAUGE SYSTEM

WIRING SYSTEM

15.Engine Coolant Temperature Gauge System

A: SCHEMATIC

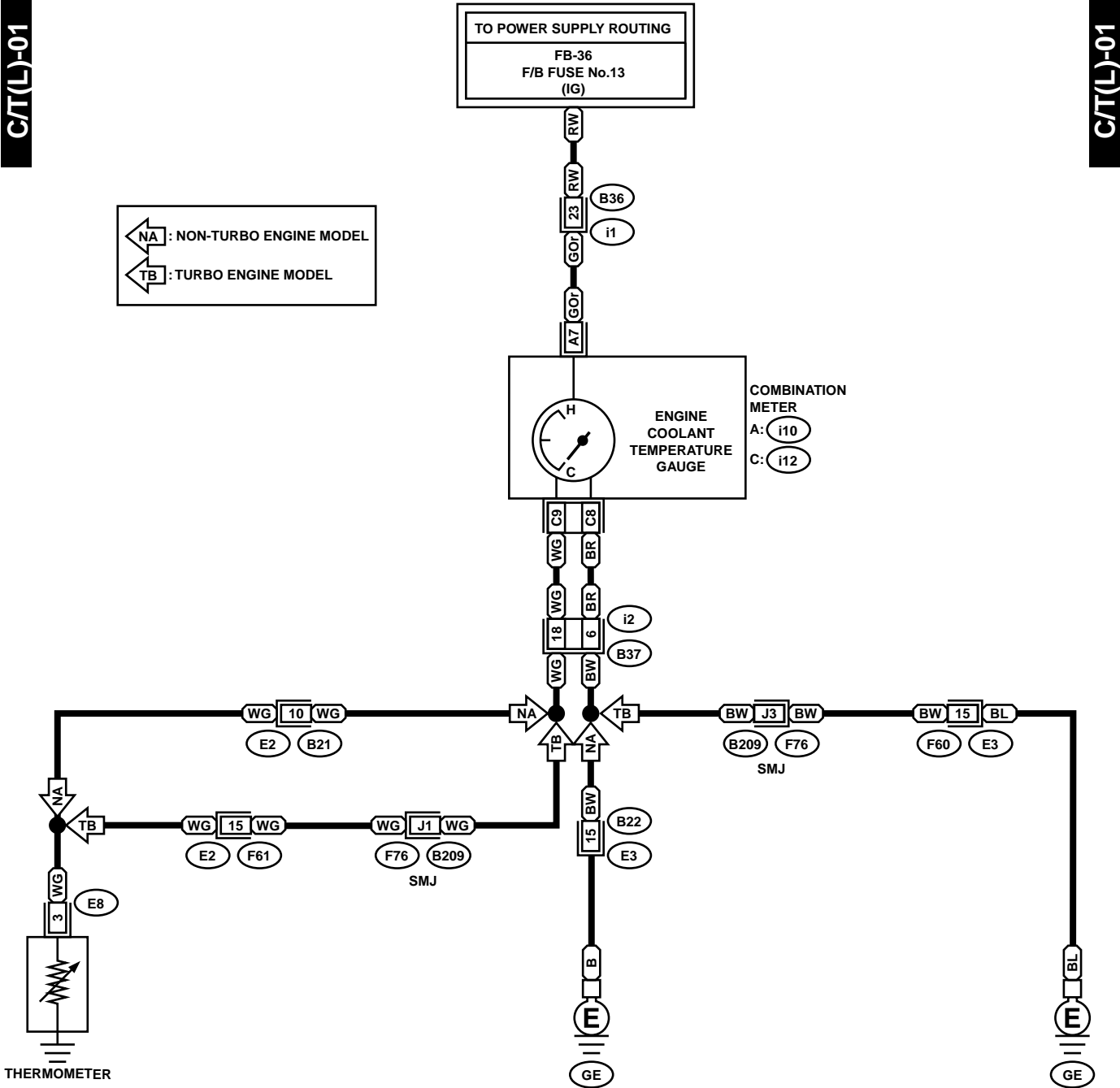
ENGINE COOLANT TEMPERATURE GAUGE SYSTEM

WIRING SYSTEM

1. LHD MODEL

C/T(L)-01

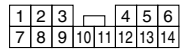
C/T(L)-01



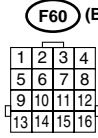
E8 (LIGHT GRAY)



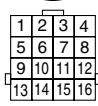
C: i12 (GREEN)



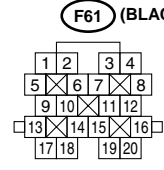
B22 (BROWN) : NA



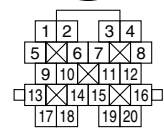
F60 (BROWN) : TB



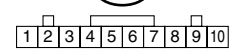
B21 (LIGHT GRAY) : NA



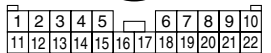
F61 (BLACK) : TB



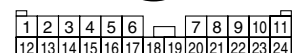
A: i10 (GREEN)



i2



B36 (BLACK)



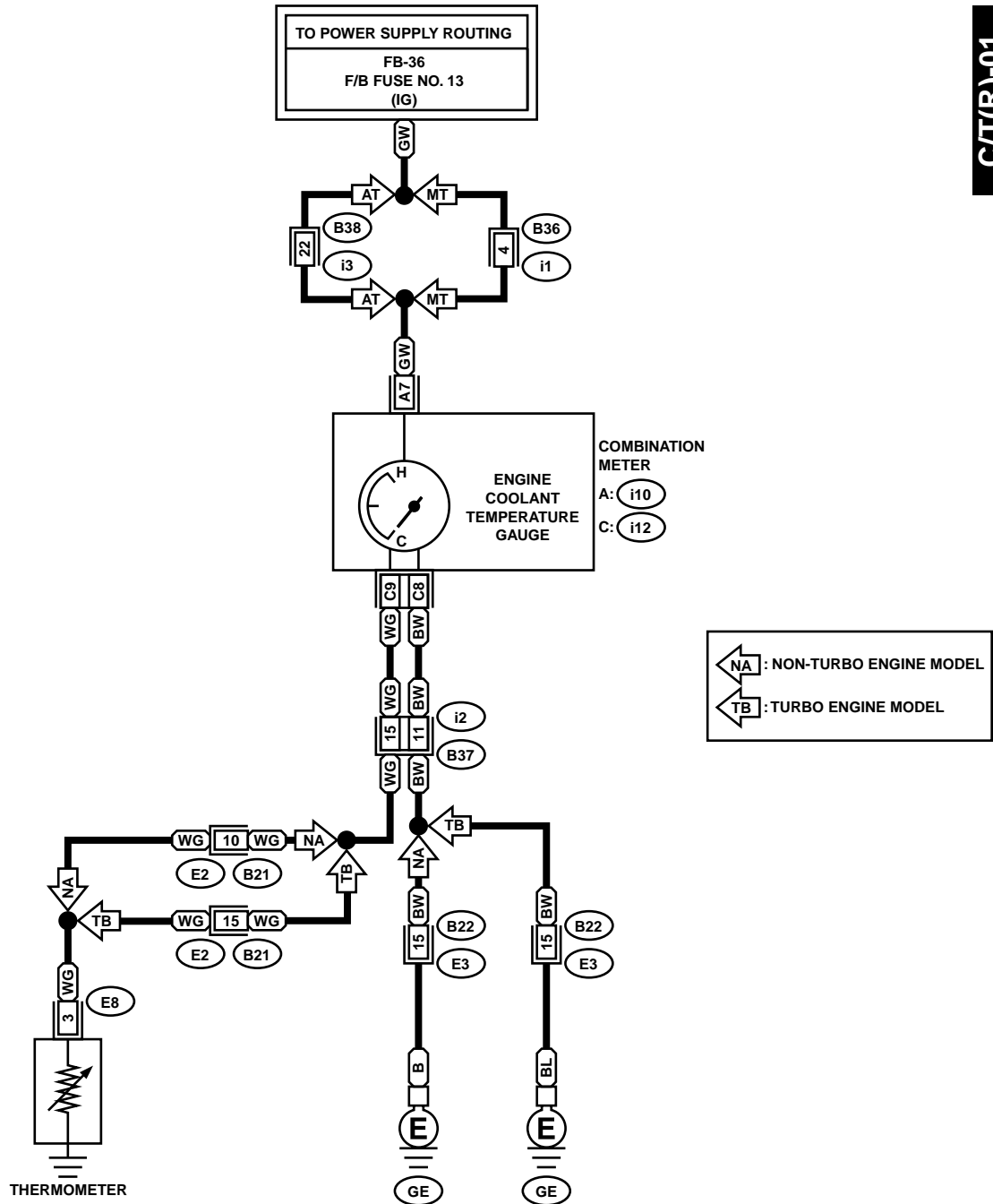
ENGINE COOLANT TEMPERATURE GAUGE SYSTEM

WIRING SYSTEM

2. RHD MODEL

C/T(R)-01

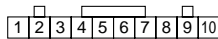
C/T(R)-01



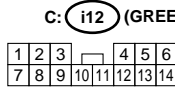
E8 (LIGHT GRAY)



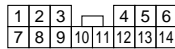
A: i10 (GREEN)



i1 (BLACK)



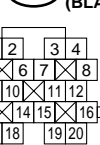
C: i12 (GREEN)



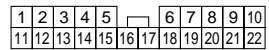
B22 (BROWN)



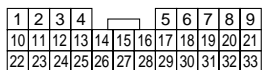
B21 (LIGHT GRAY): NA



i3 (BLACK)



i2



GR68-20

16.Engine Electrical System

A: SCHEMATIC

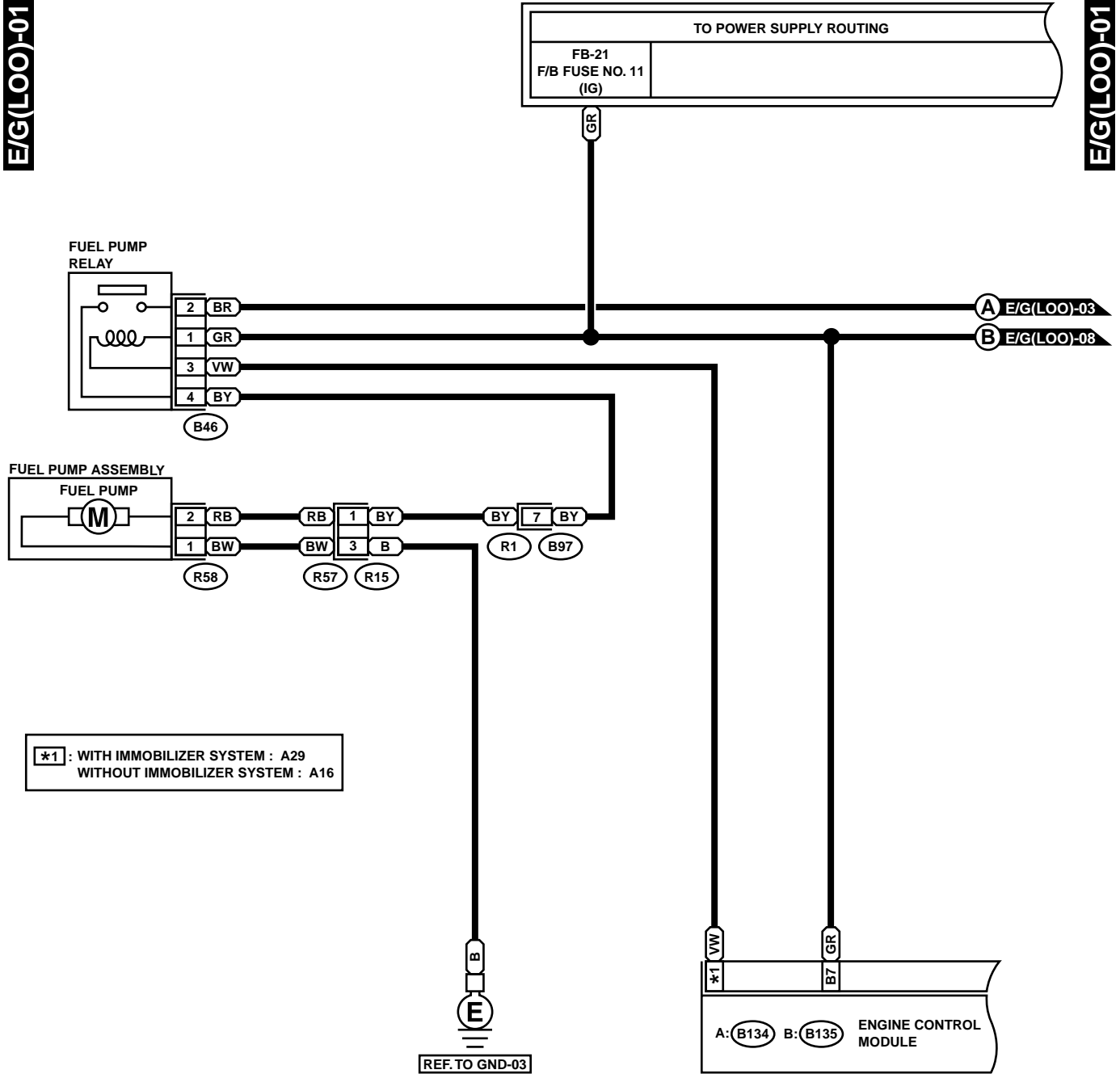
ENGINE ELECTRICAL SYSTEM

WIRING SYSTEM

1. LHD SOHC W/O OBD MODEL

E/G(LOO)-01

E/G(LOO)-01



B46 (GREEN)



R15 (BLACK)



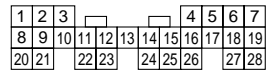
R58



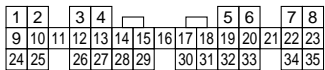
B97



B: B135

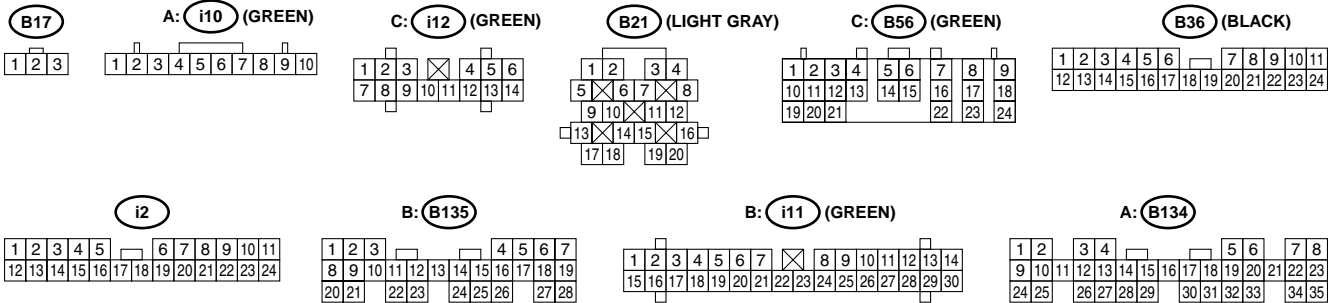
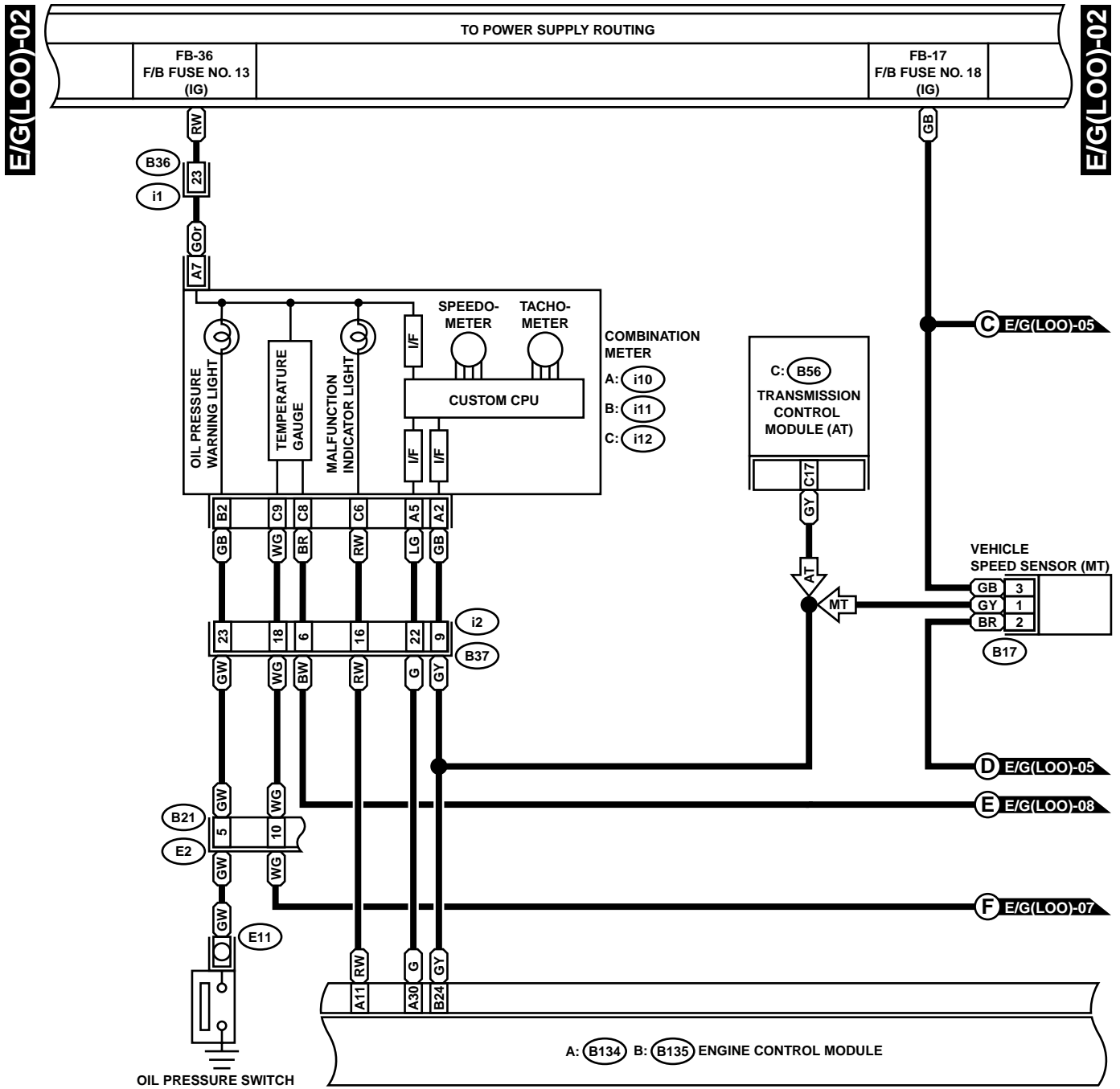


A: B134



ENGINE ELECTRICAL SYSTEM

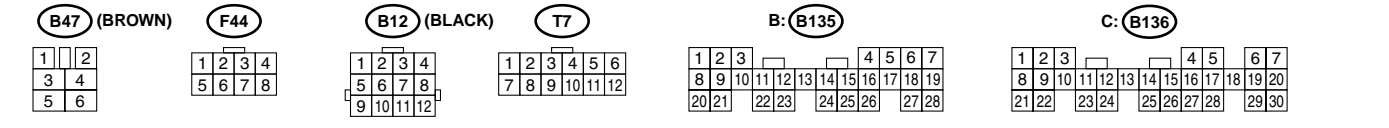
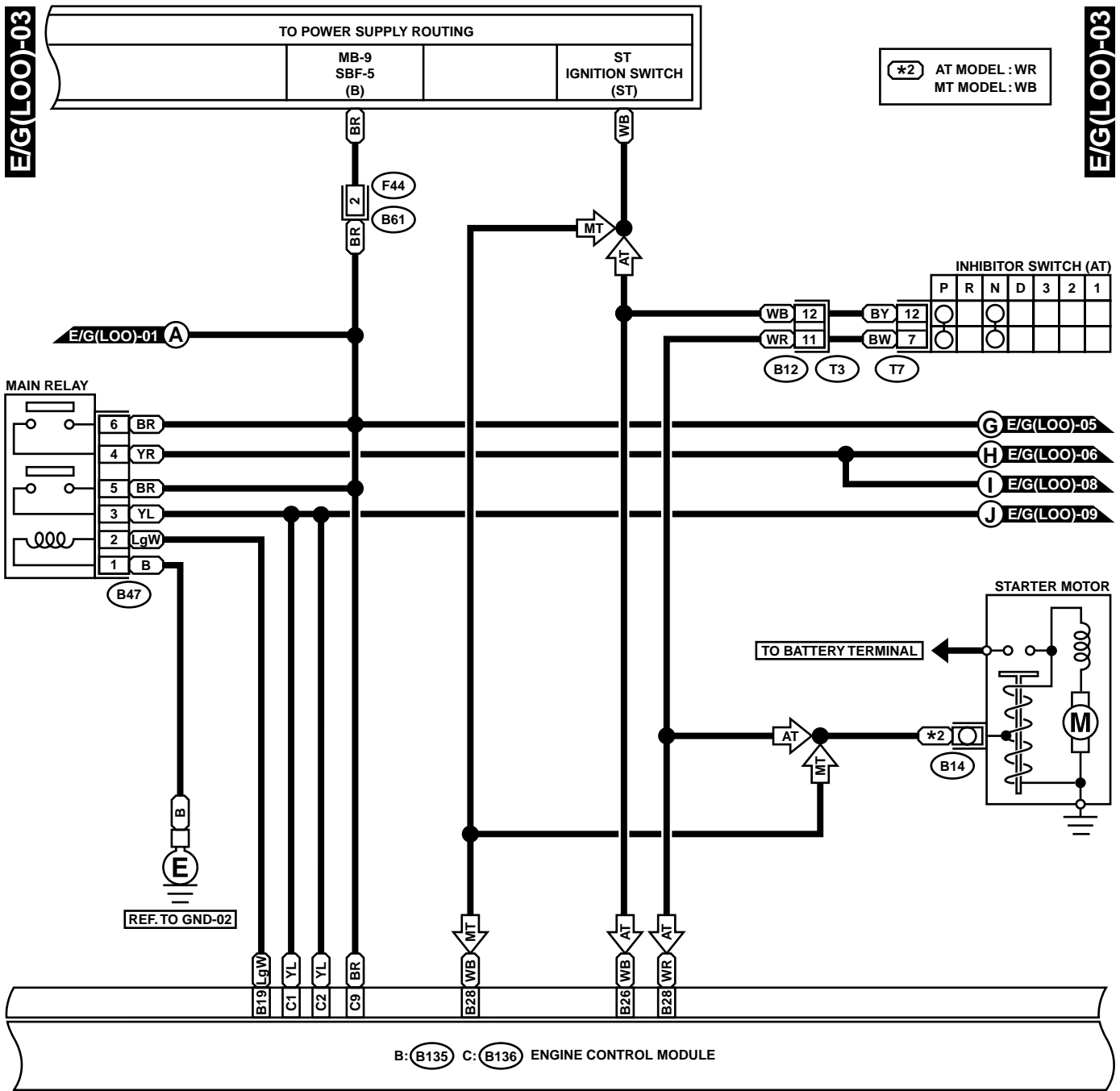
WIRING SYSTEM



GL10-20B

ENGINE ELECTRICAL SYSTEM

WIRING SYSTEM



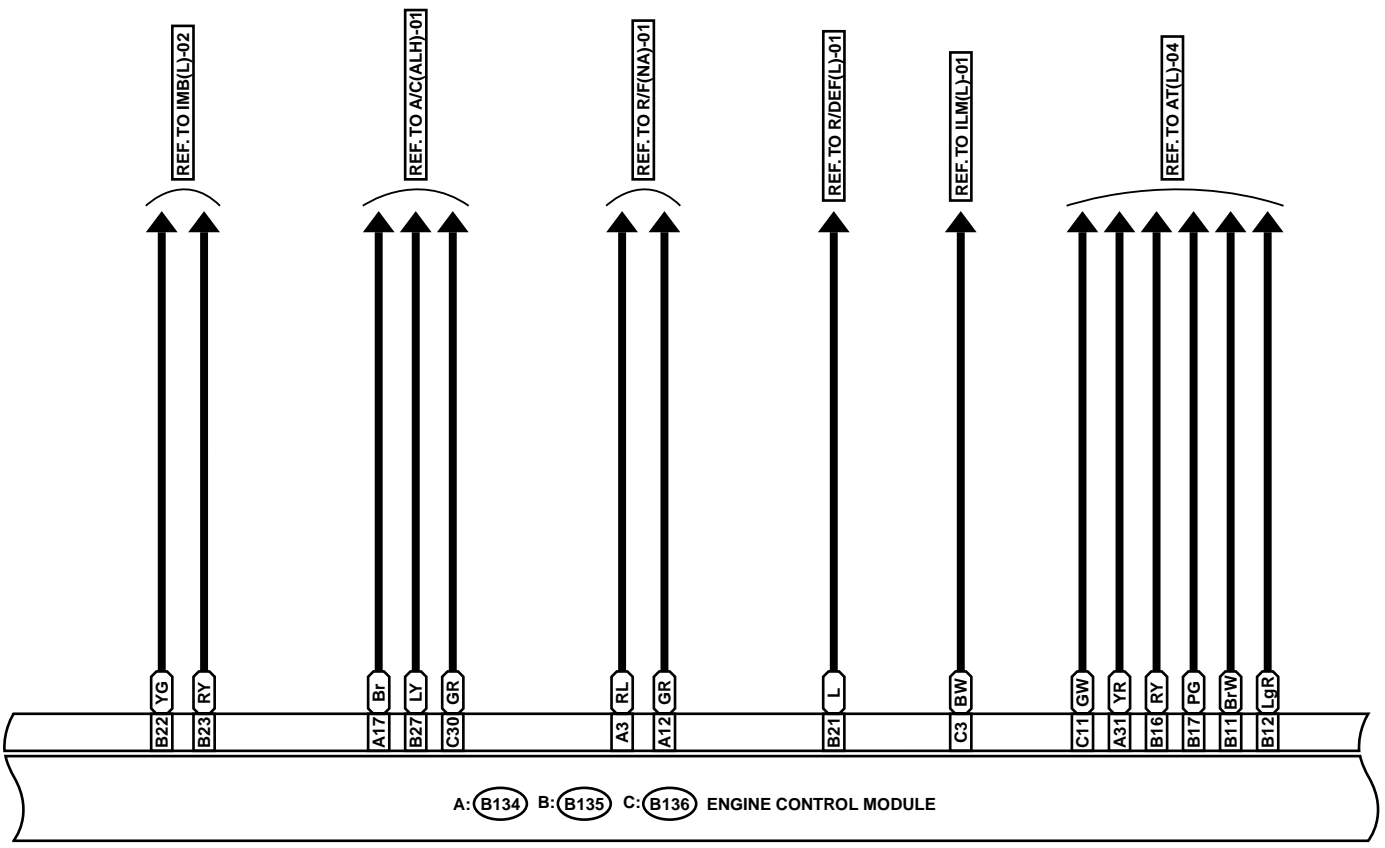
GL10-20C

ENGINE ELECTRICAL SYSTEM

WIRING SYSTEM

E/G(LOO)-04

E/G(LOO)-04



B: (B135)

1	2	3		4	5	6	7				
8	9	10	11	12	13	14	15	16	17	18	19
20	21	22	23	24	25	26	27	28			

C: (B136)

1	2	3		4	5	6	7					
8	9	10	11	12	13	14	15	16	17	18	19	20
21	22	23	24	25	26	27	28	29	30			

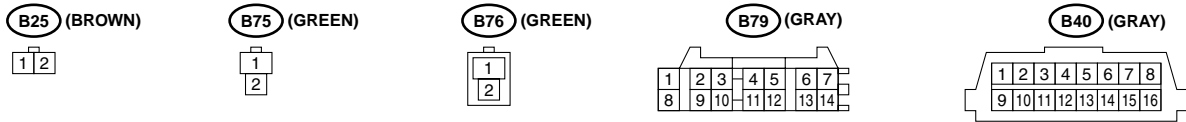
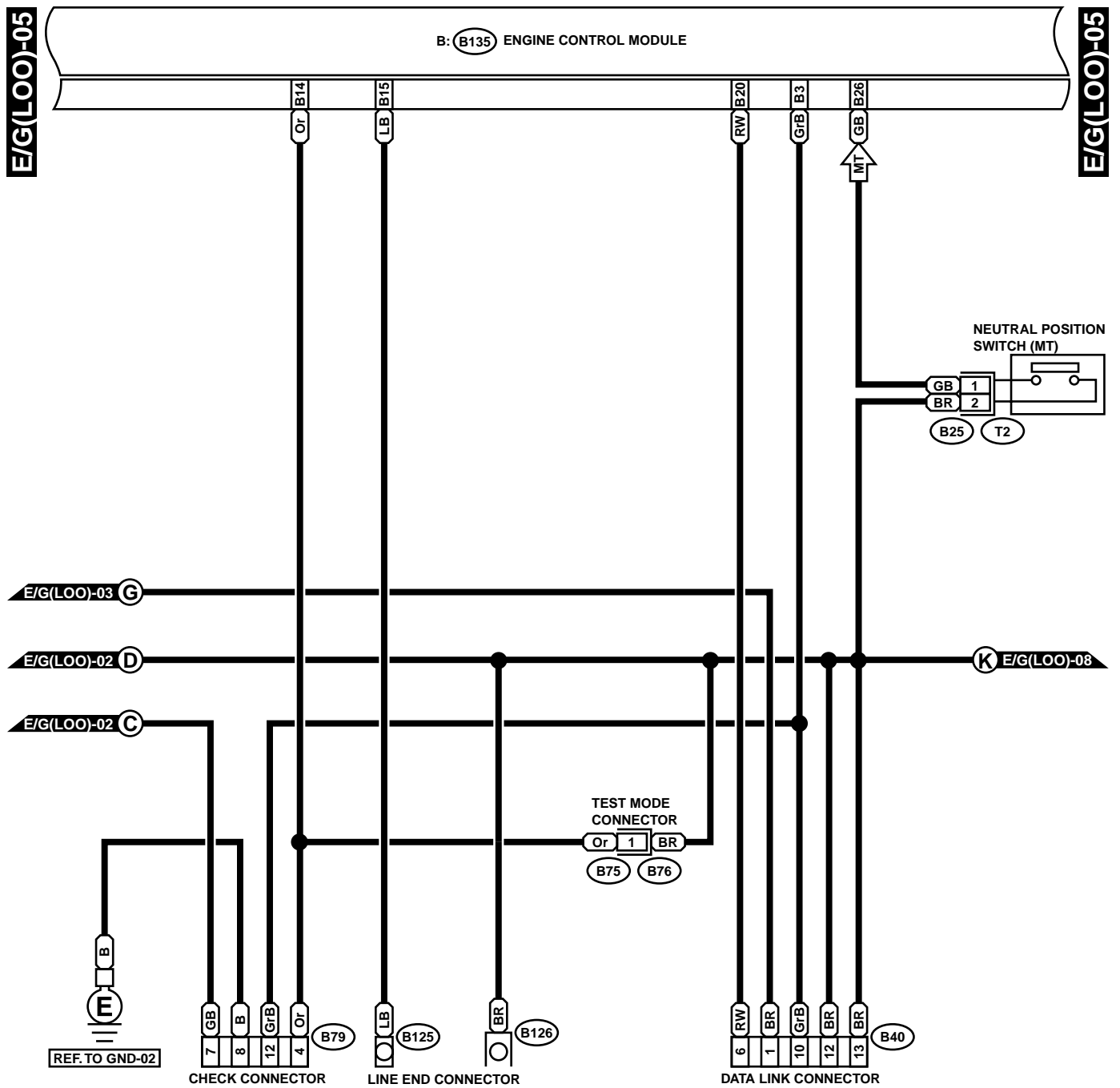
A: (B134)

1	2	3	4		5	6	7	8						
9	10	11	12	13	14	15	16	17	18	19	20	21	22	23
24	25	26	27	28	29	30	31	32	33	34	35			

GL10-20D

ENGINE ELECTRICAL SYSTEM

WIRING SYSTEM



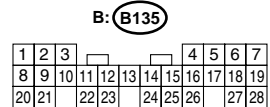
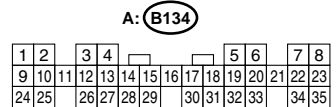
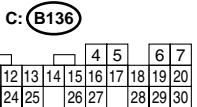
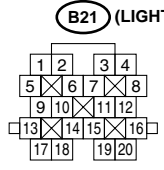
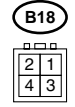
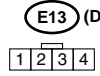
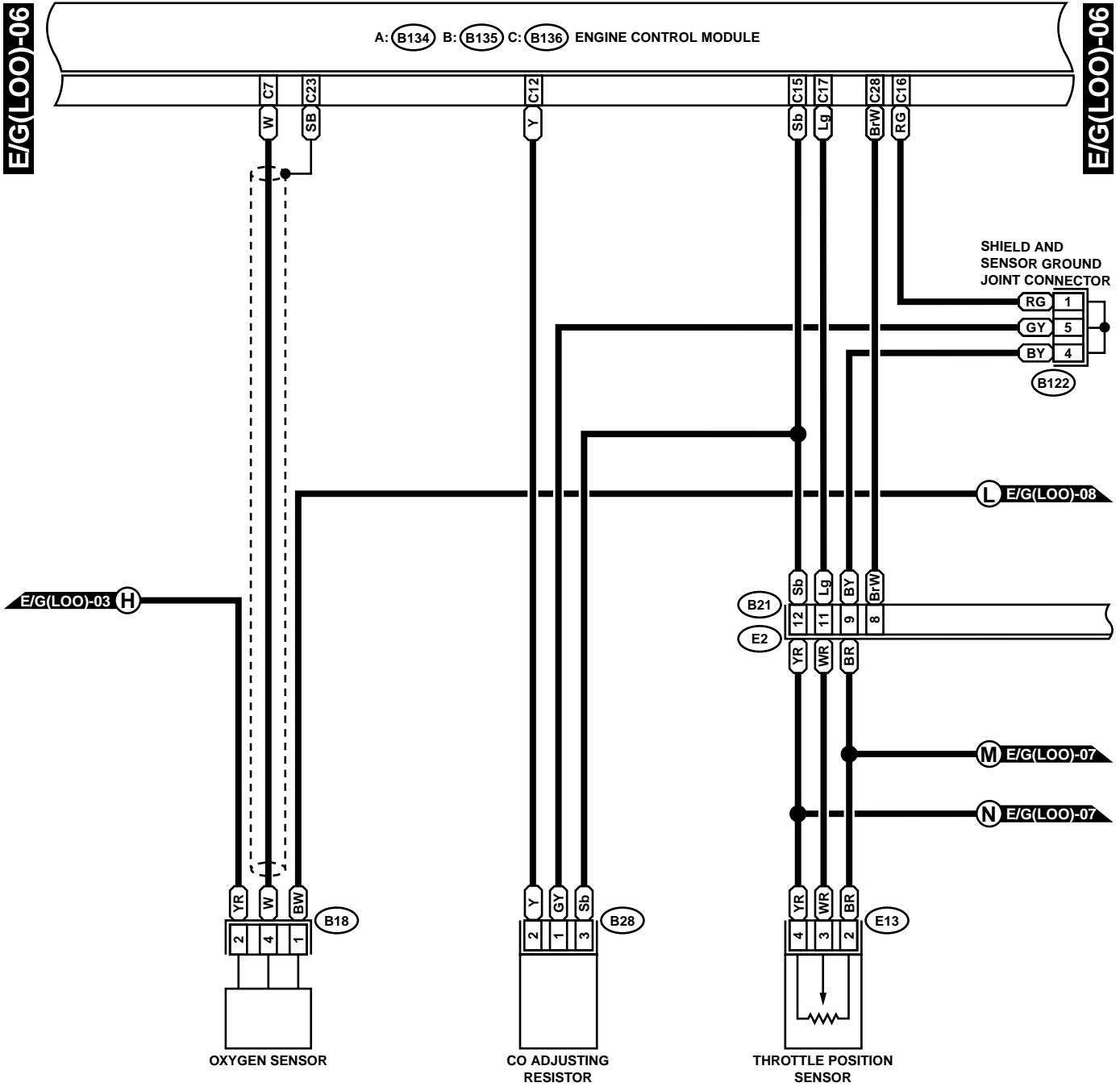
B: (B135)



GL10-20E

ENGINE ELECTRICAL SYSTEM

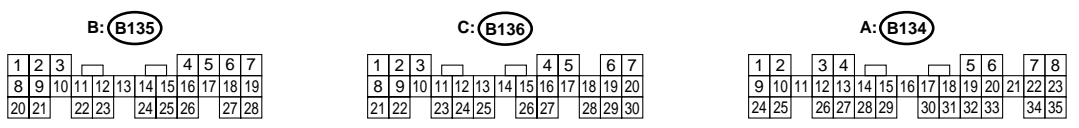
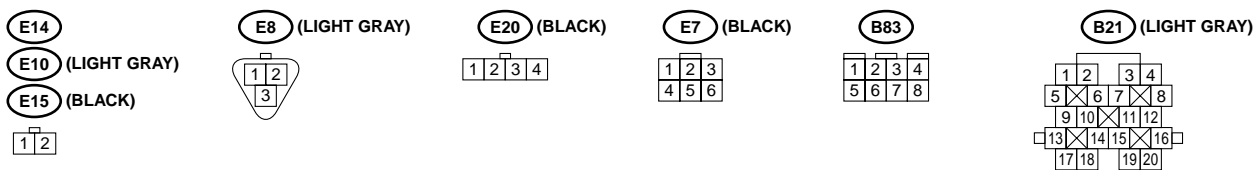
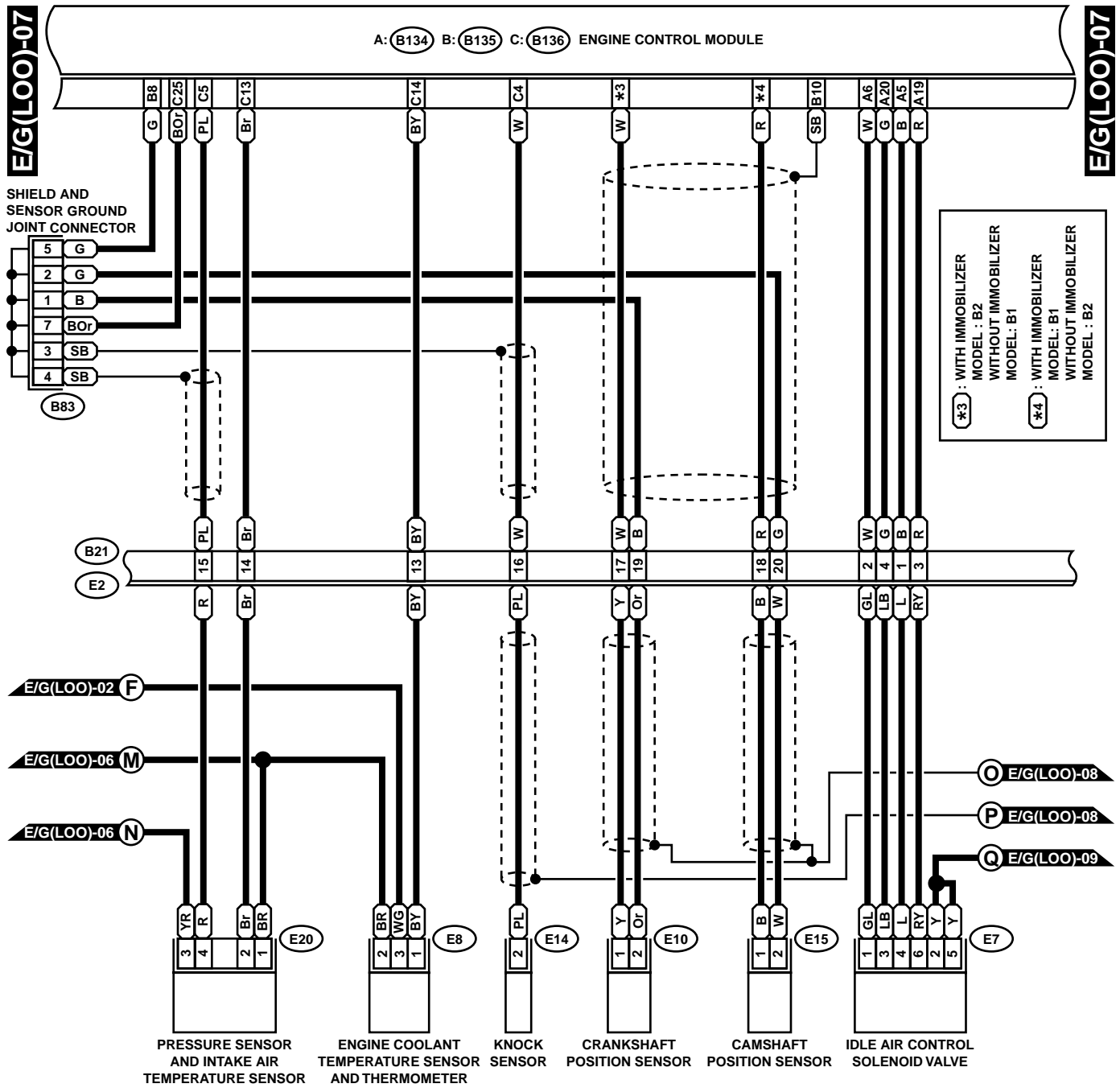
WIRING SYSTEM



GL10-20F

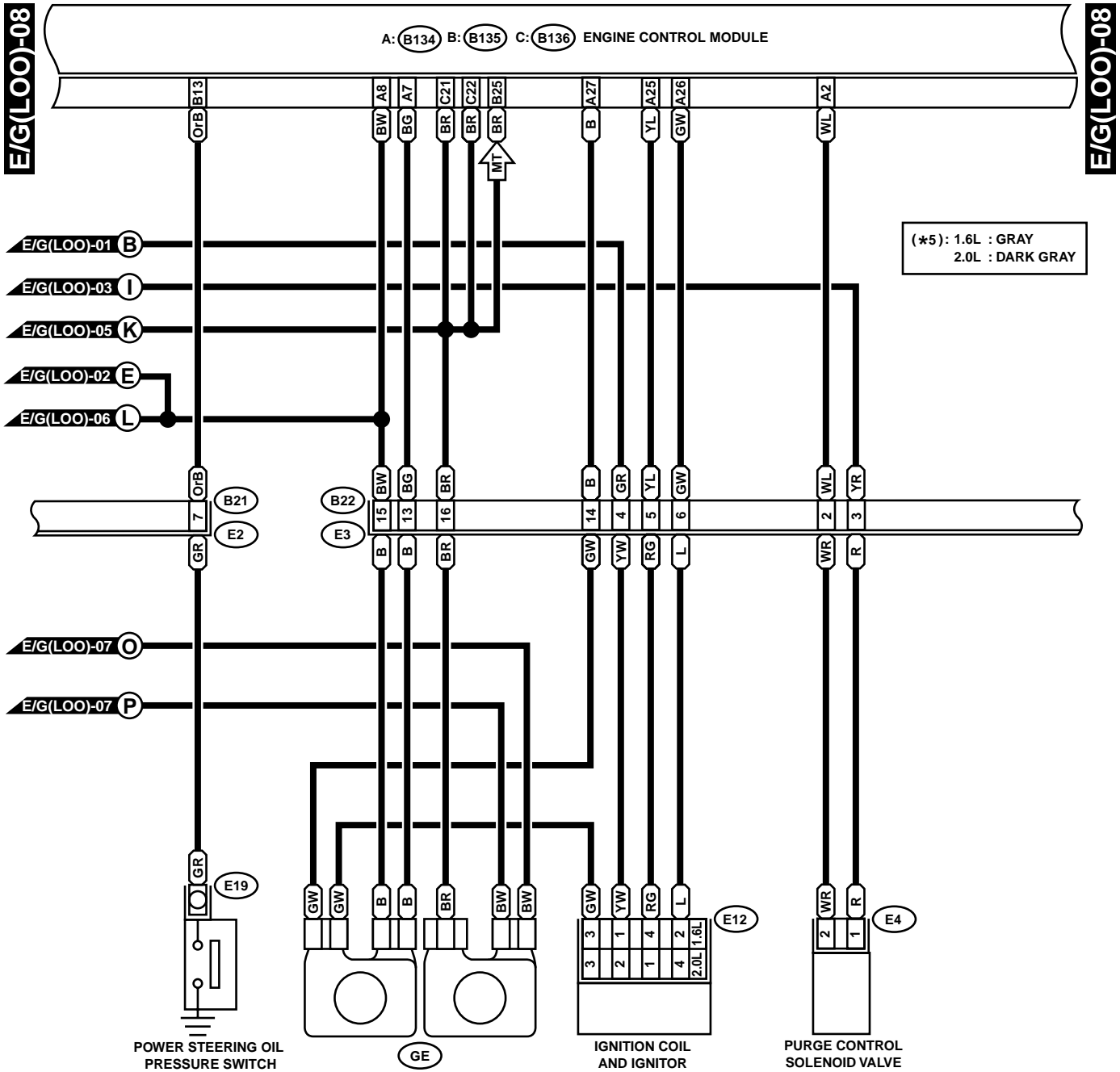
ENGINE ELECTRICAL SYSTEM

WIRING SYSTEM



ENGINE ELECTRICAL SYSTEM

WIRING SYSTEM



E4 (BLUE)



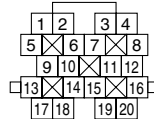
E12 (*5)



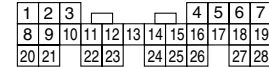
B22 (BROWN)



B21 (LIGHT GRAY)



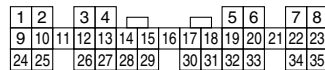
B: (B135)



C: (B136)



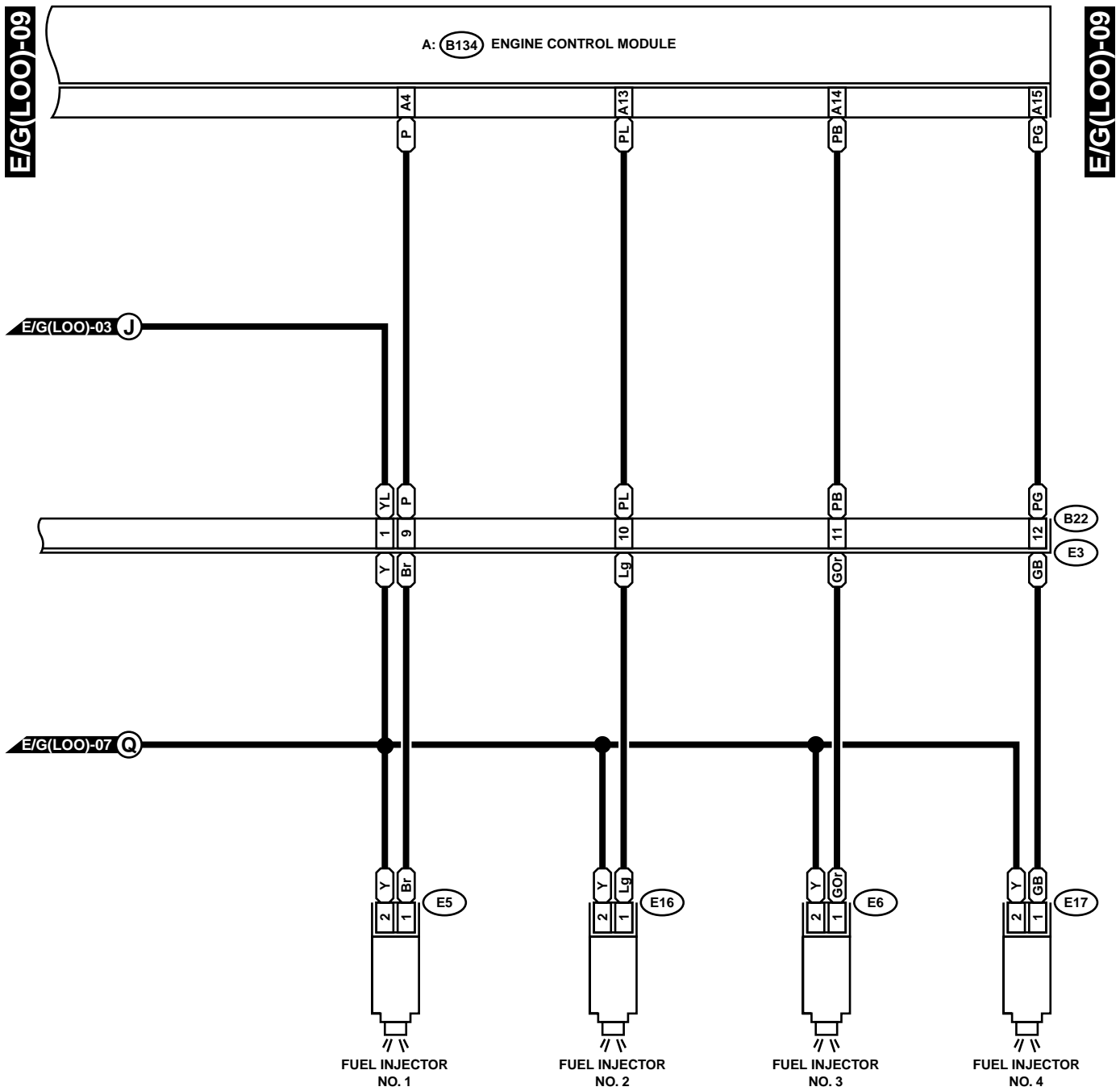
A: (B134)



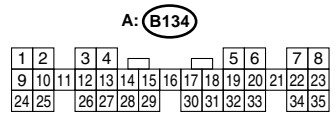
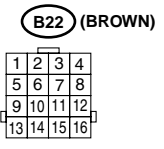
GL10-20H

ENGINE ELECTRICAL SYSTEM

WIRING SYSTEM



- E5** (LIGHT GRAY)
- E6** (LIGHT GRAY)
- E16** (LIGHT GRAY)
- E17** (LIGHT GRAY)



GL10-201

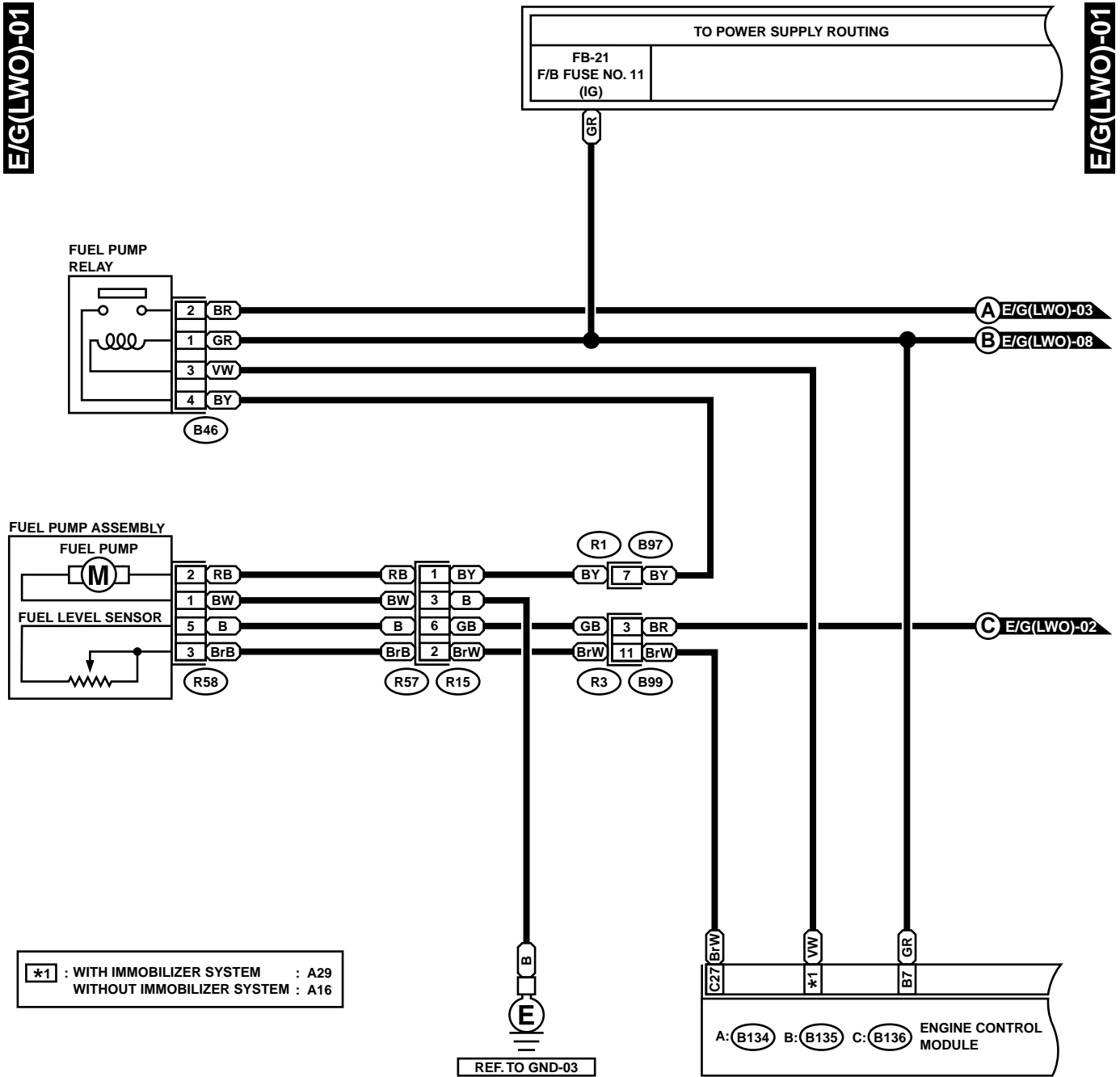
ENGINE ELECTRICAL SYSTEM

WIRING SYSTEM

2. LHD SOHC MODEL

E/G(LWO)-01

E/G(LWO)-01



(B46) (GREEN)

1	2
3	4

(R15) (BLACK)

1	2
3	4
5	6

(R58)

1	2	3
4	5	6

(B97)

1	2	3	4
5	6	7	8

(B99)

1	2	3	4	5	6	7	8	9	10	11		
12	13	14	15	16	17	18	19	20	21	22	23	24

B: (B135)

1	2	3	4	5	6	7					
8	9	10	11	12	13	14	15	16	17	18	19
20	21	22	23	24	25	26	27	28			

C: (B136)

1	2	3	4	5	6	7						
8	9	10	11	12	13	14	15	16	17	18	19	20
21	22	23	24	25	26	27	28	29	30			

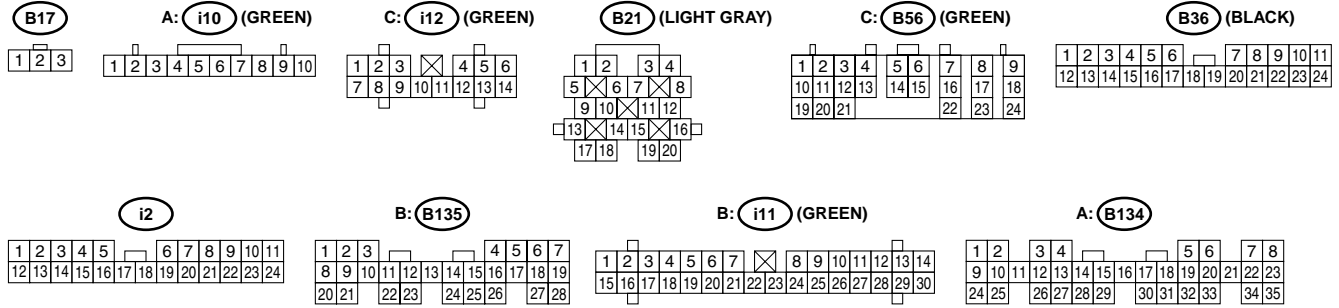
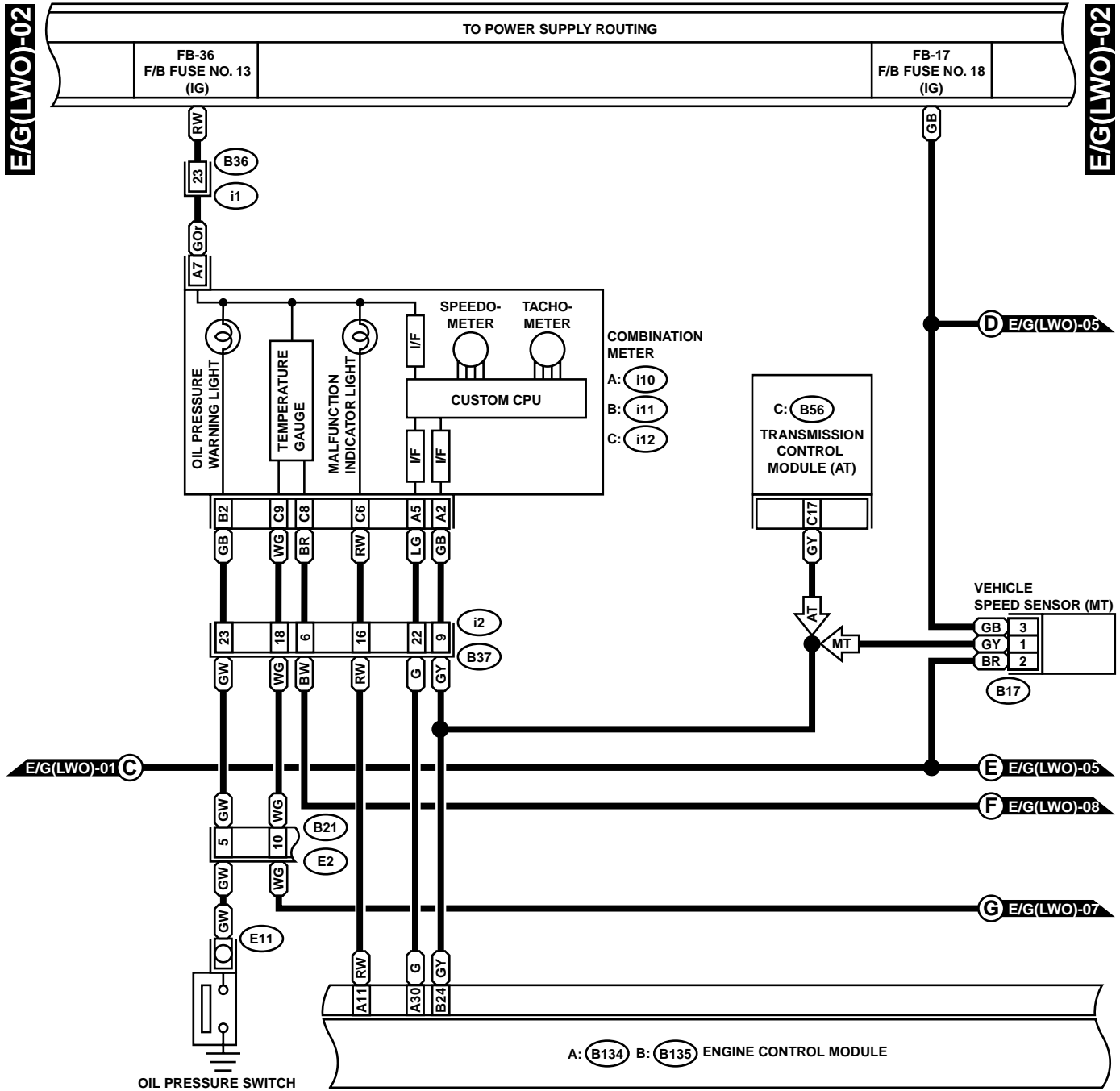
A: (B134)

1	2	3	4	5	6	7	8							
9	10	11	12	13	14	15	16	17	18	19	20	21	22	23
24	25	26	27	28	29	30	31	32	33	34	35			

GL10-22A

ENGINE ELECTRICAL SYSTEM

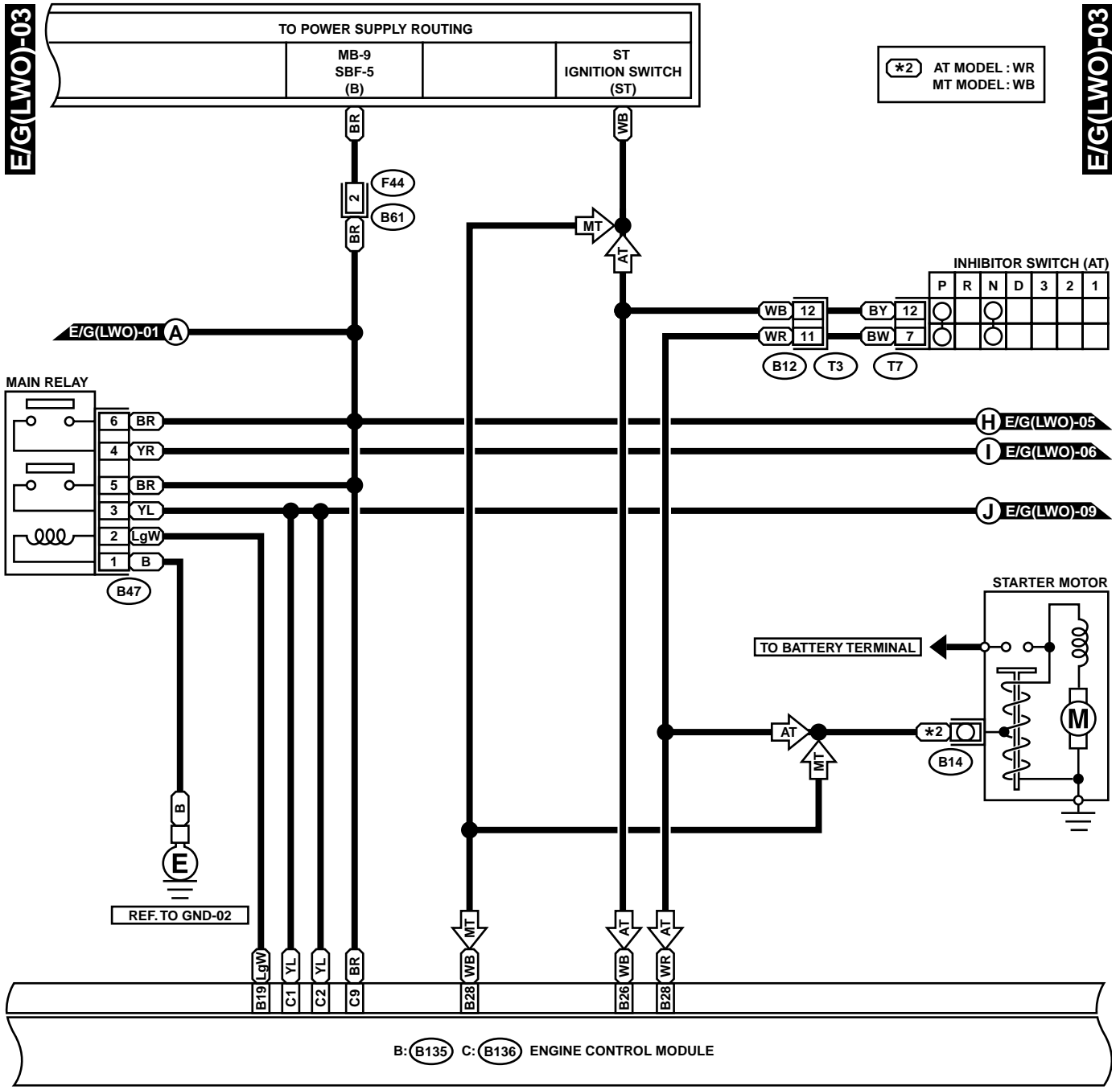
WIRING SYSTEM



GL10-22B

ENGINE ELECTRICAL SYSTEM

WIRING SYSTEM



B47 (BROWN)

1	2
3	4
5	6

F44

1	2	3	4
5	6	7	8

B12

1	2	3	4
5	6	7	8
9	10	11	12

T7

1	2	3	4	5	6
7	8	9	10	11	12

B: (B135)

1	2	3			4	5	6	7			
8	9	10	11	12	13	14	15	16	17	18	19
20	21	22	23	24	25	26	27	28			

C: (B136)

1	2	3			4	5	6	7				
8	9	10	11	12	13	14	15	16	17	18	19	20
21	22	23	24	25	26	27	28	29	30			

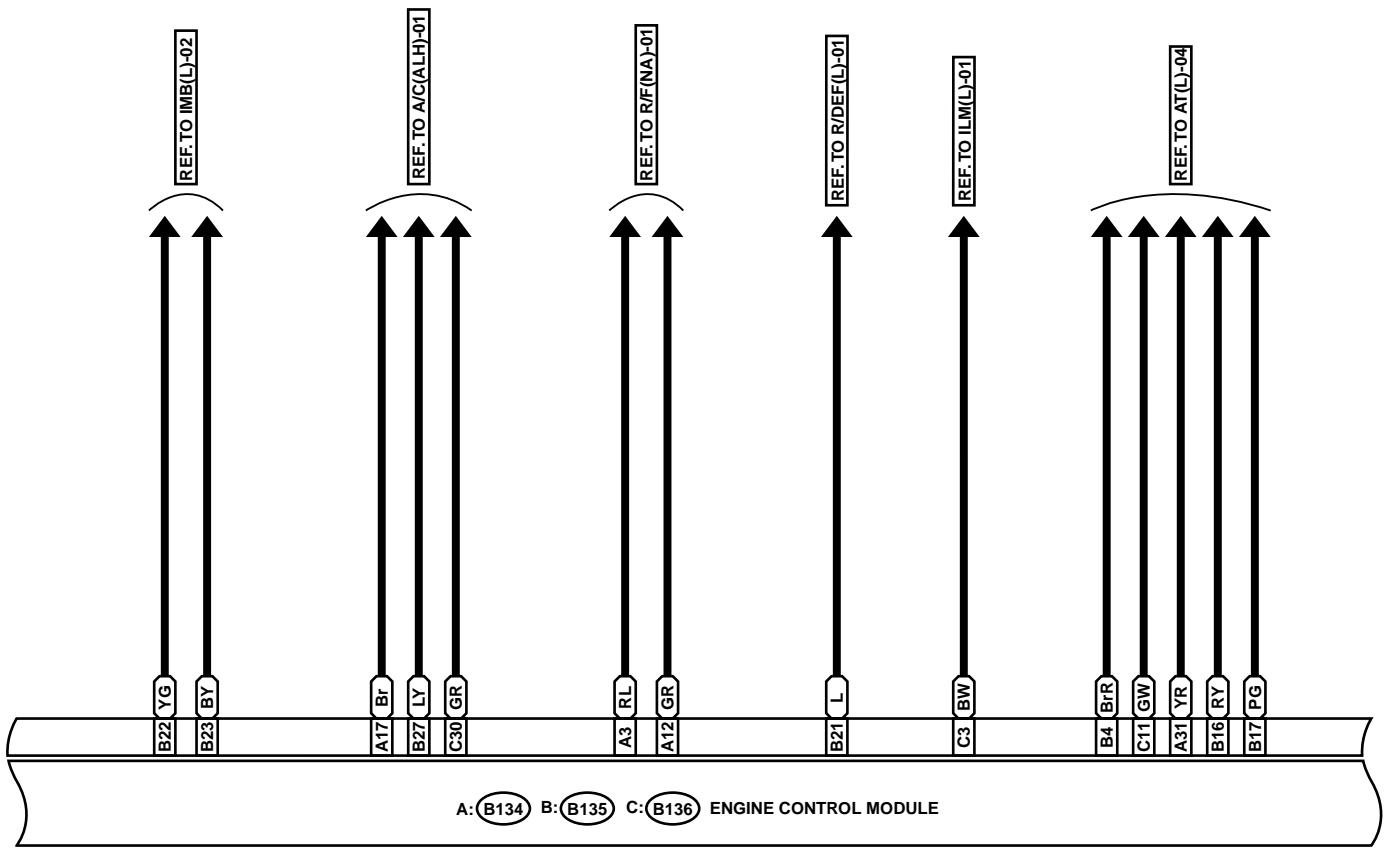
GL10-22C

ENGINE ELECTRICAL SYSTEM

WIRING SYSTEM

E/G(LWO)-04

E/G(LWO)-04



B: (B135)

1	2	3		4	5	6	7				
8	9	10	11	12	13	14	15	16	17	18	19
20	21	22	23	24	25	26	27	28			

C: (B136)

1	2	3		4	5	6	7					
8	9	10	11	12	13	14	15	16	17	18	19	20
21	22	23	24	25	26	27	28	29	30			

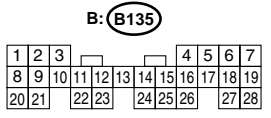
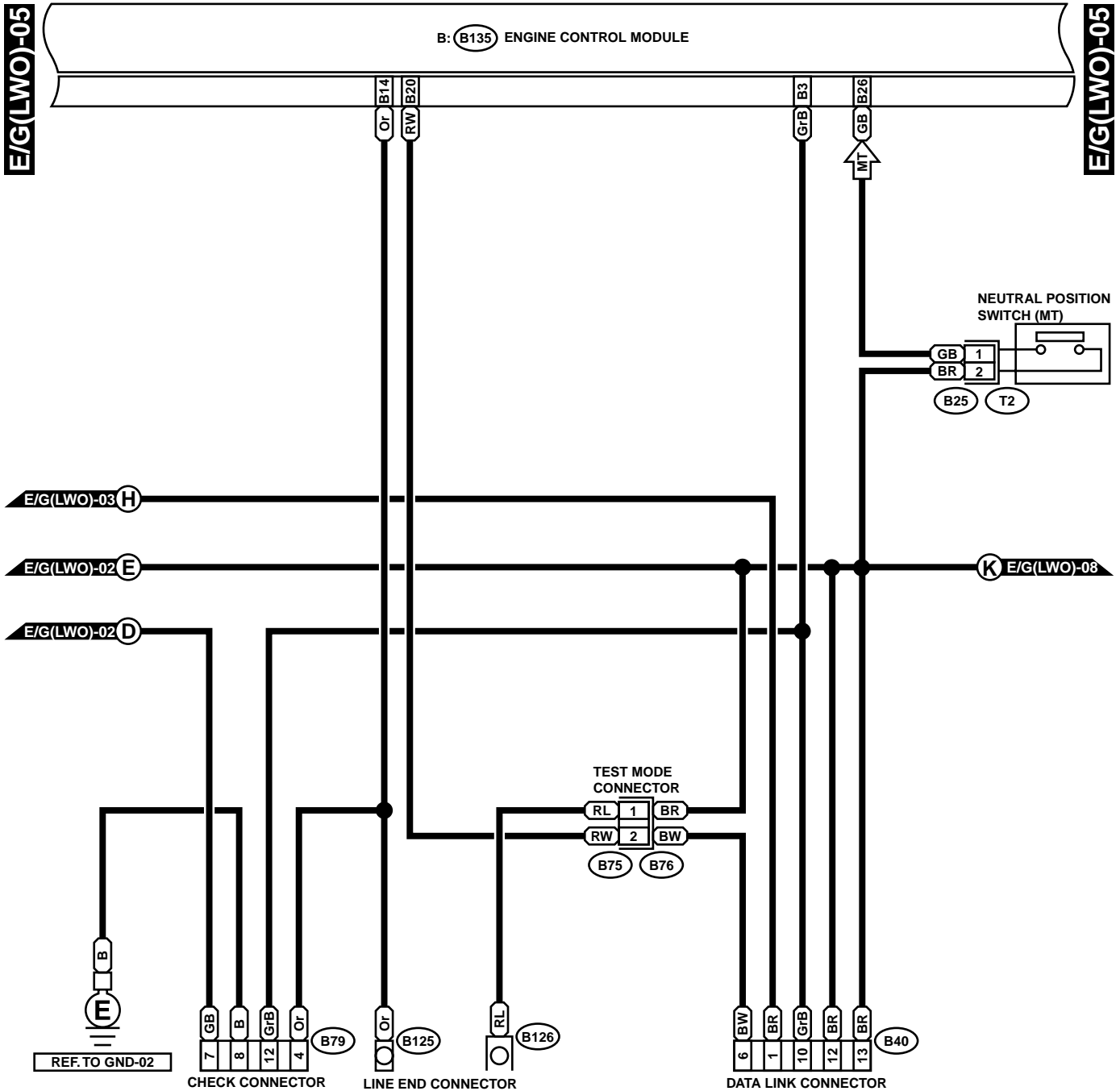
A: (B134)

1	2	3	4		5	6	7	8						
9	10	11	12	13	14	15	16	17	18	19	20	21	22	23
24	25	26	27	28	29	30	31	32	33	34	35			

GL10-22D

ENGINE ELECTRICAL SYSTEM

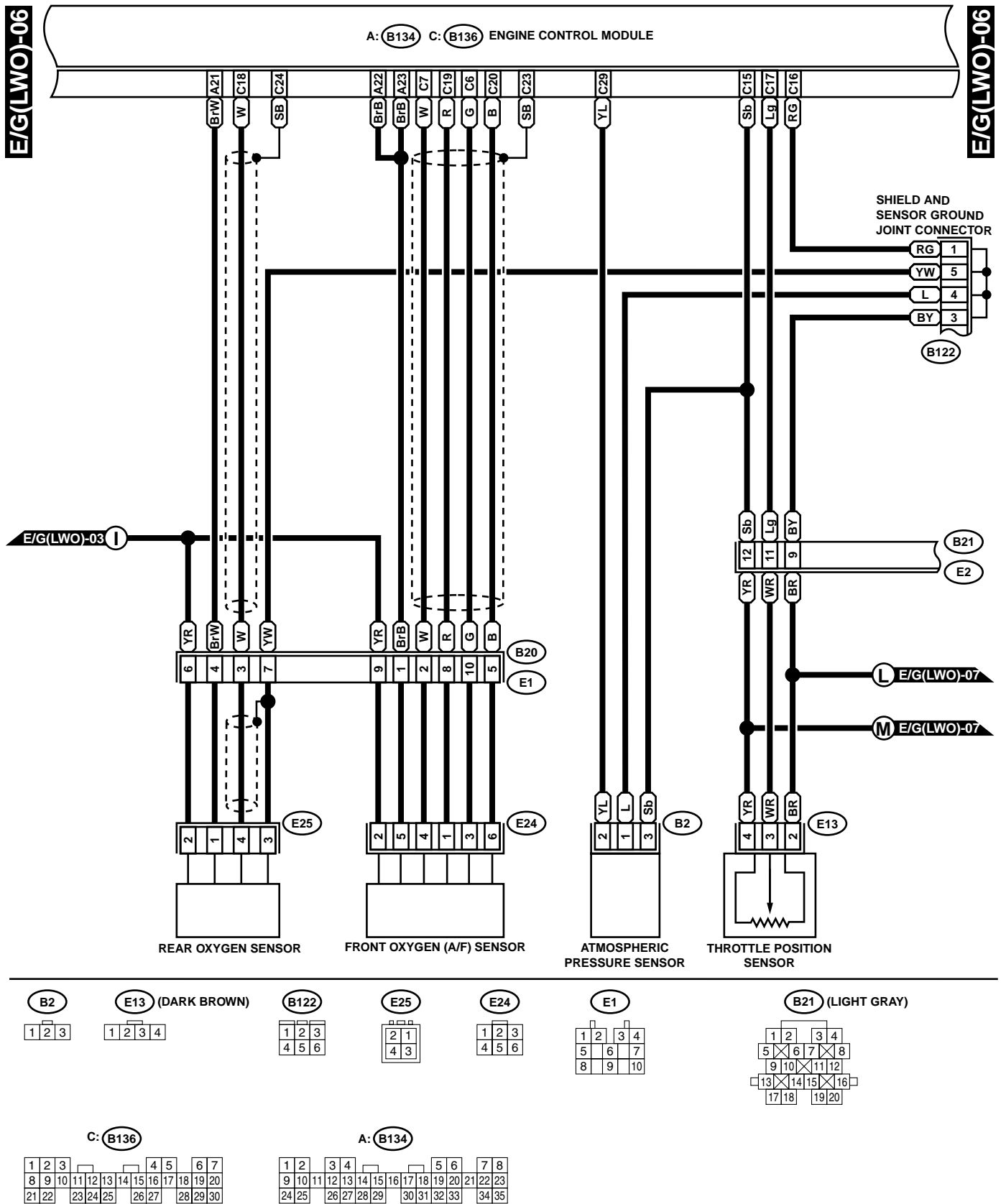
WIRING SYSTEM



GL10-22E

ENGINE ELECTRICAL SYSTEM

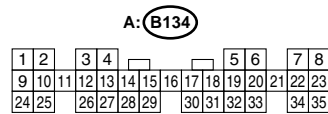
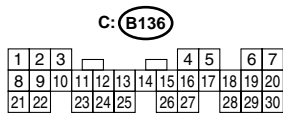
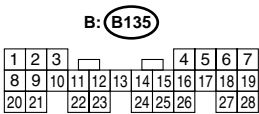
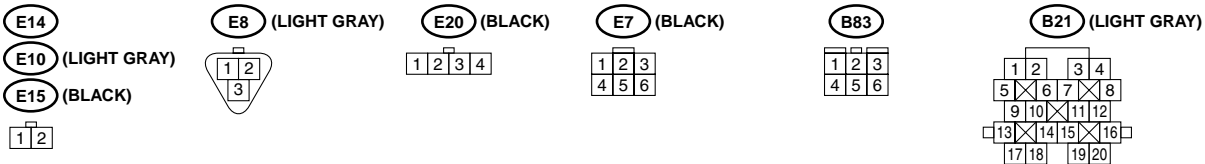
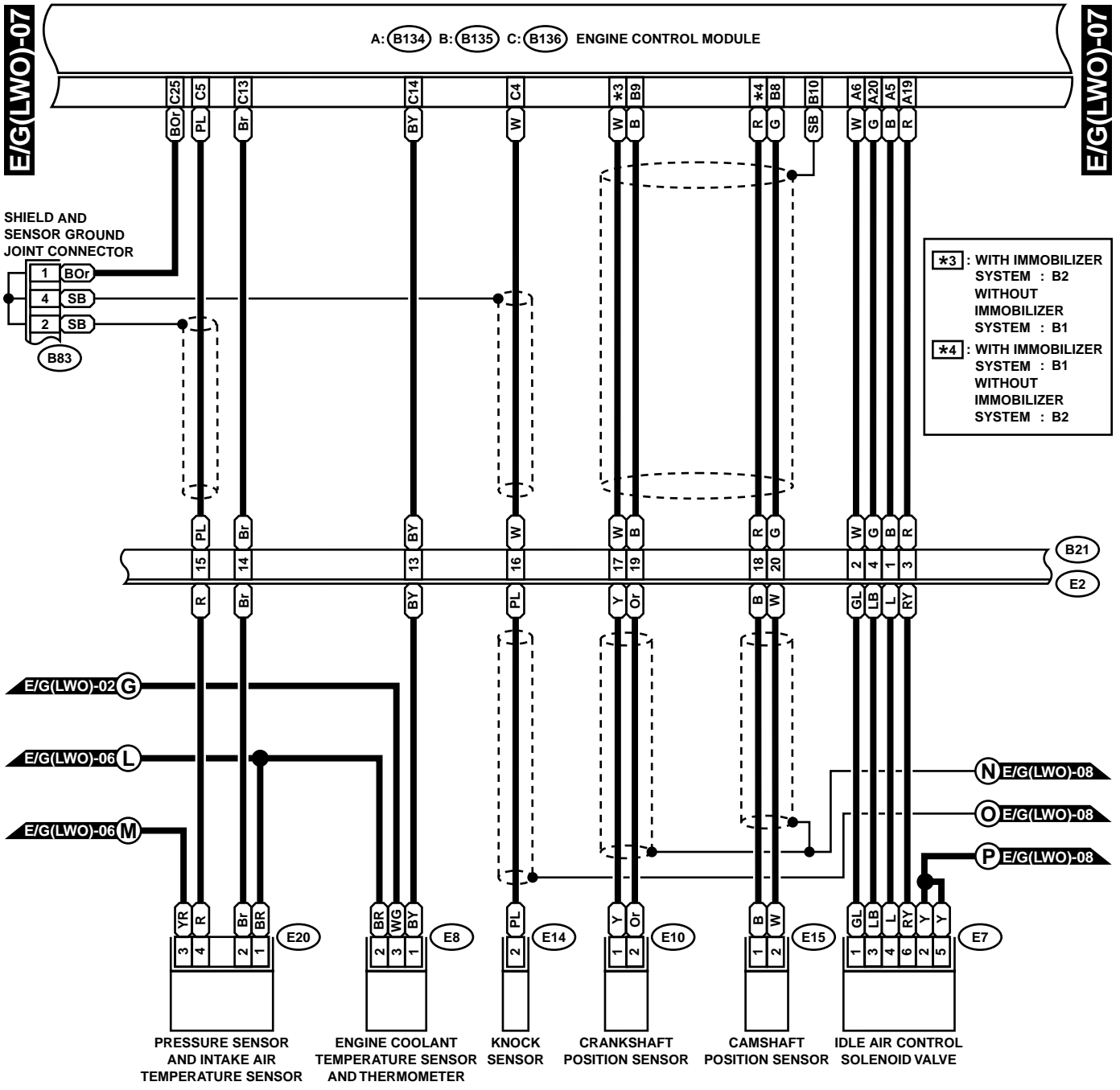
WIRING SYSTEM



GL10-22F

ENGINE ELECTRICAL SYSTEM

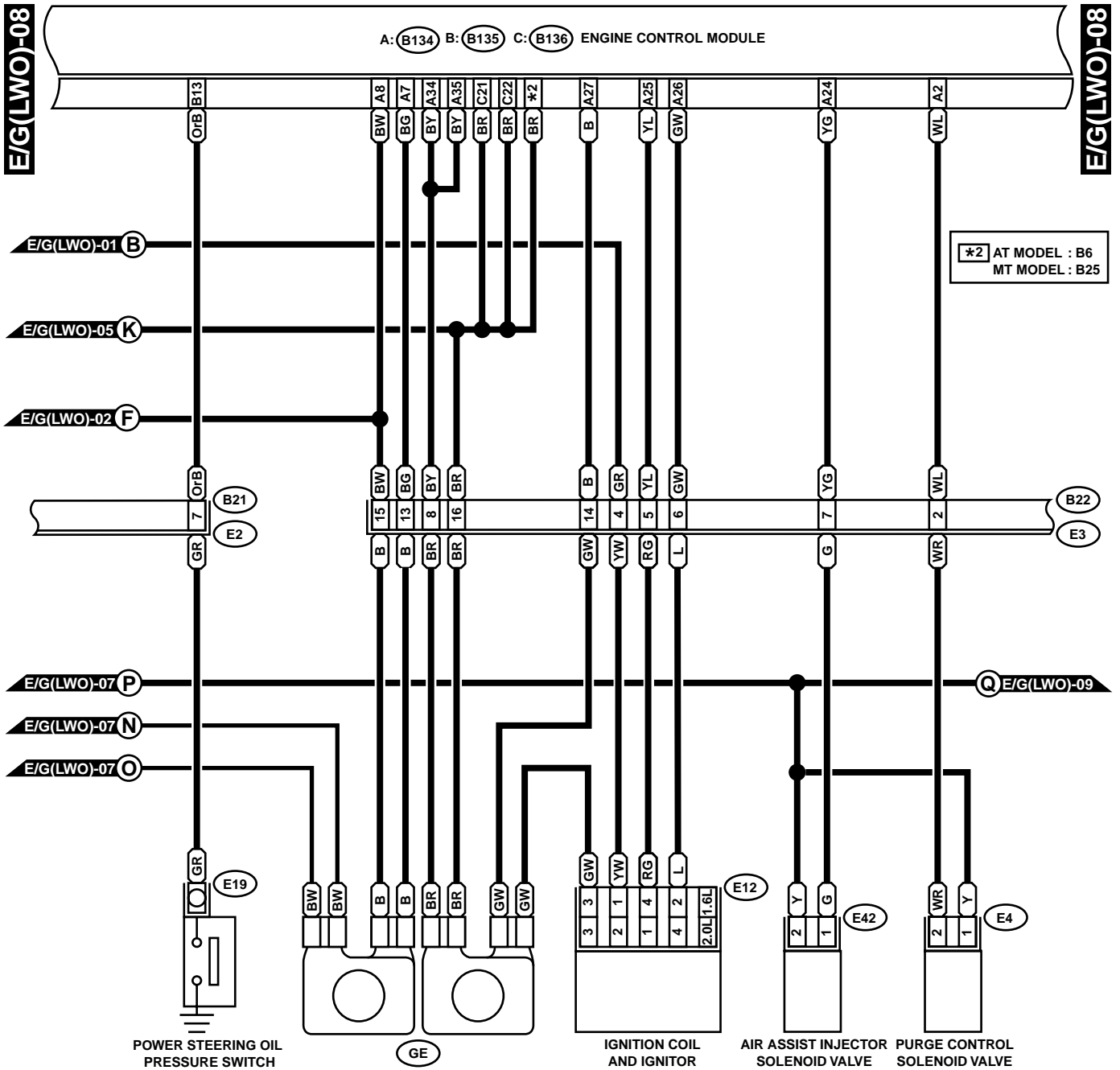
WIRING SYSTEM



GL10-22G

ENGINE ELECTRICAL SYSTEM

WIRING SYSTEM



*2 AT MODEL : B6
MT MODEL : B25

E4 (BLACK)

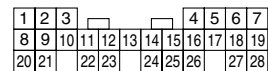
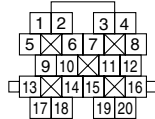
E12 : (*3)

B22 (BROWN)

B21 (LIGHT GRAY)

B: B135

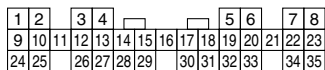
E42 (PURPLE)



C: B136



A: B134

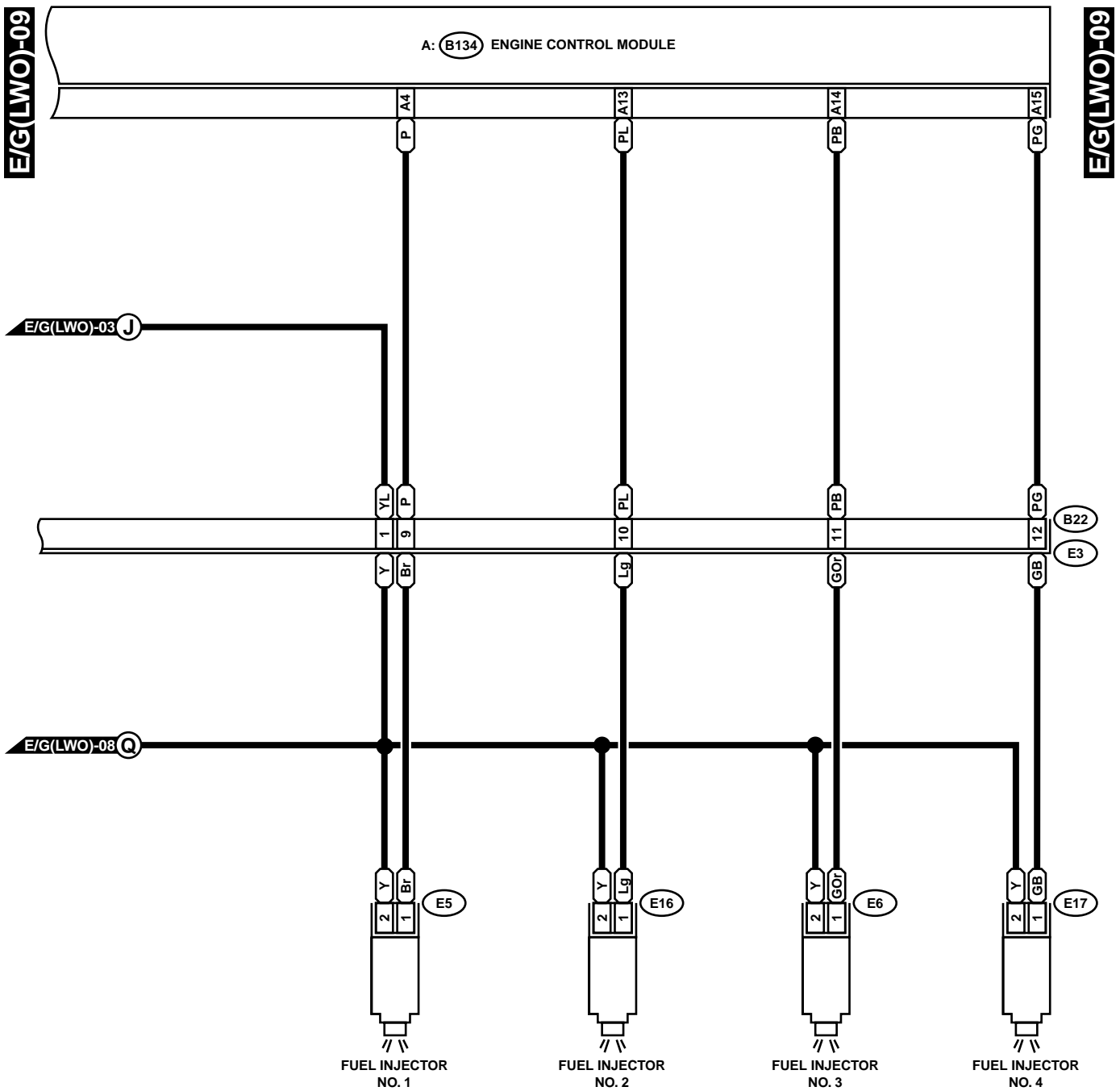


(*3) 1.6L: (GRAY)
2.0L: (DARK GRAY)

GL10-22H

ENGINE ELECTRICAL SYSTEM

WIRING SYSTEM



- E5** (LIGHT GRAY)
- E6** (LIGHT GRAY)
- E16** (LIGHT GRAY)
- E17** (LIGHT GRAY)

B22 (BROWN)

1	2	3	4
5	6	7	8
9	10	11	12
13	14	15	16

A: (B134)

1	2	3	4	5	6	7	8							
9	10	11	12	13	14	15	16	17	18	19	20	21	22	23
24	25	26	27	28	29	30	31	32	33	34	35			

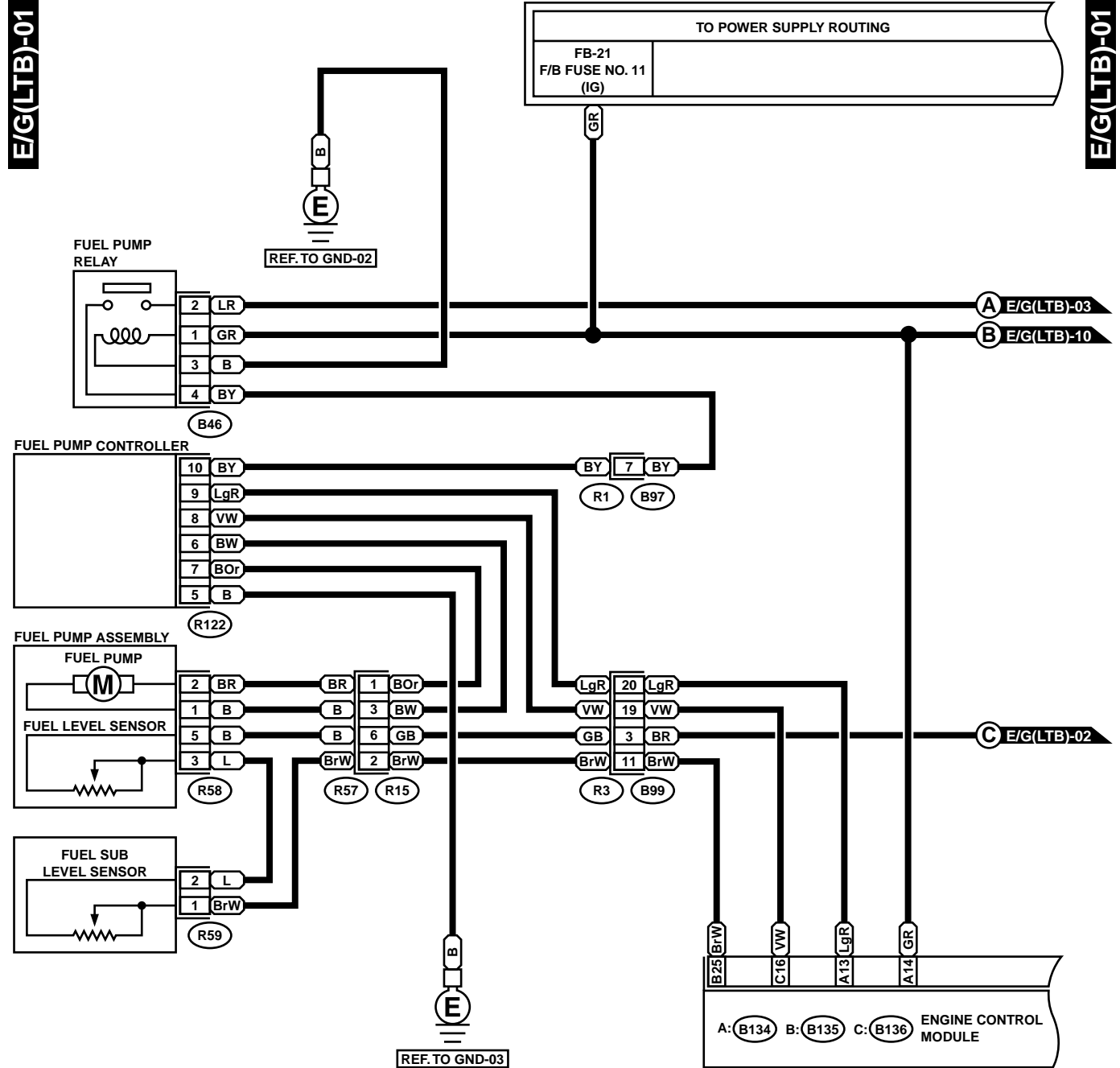


GL10-221

ENGINE ELECTRICAL SYSTEM

WIRING SYSTEM

3. LHD DOHC TURBO MODEL



R59



B46 (GREEN)



R15 (BLACK)



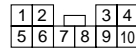
R58



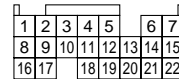
B97



R122



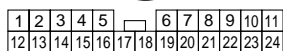
A: B134



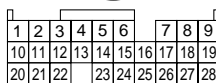
C: B136



B99



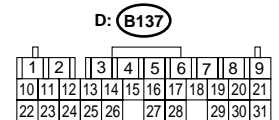
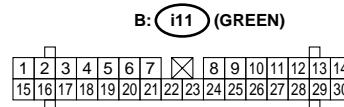
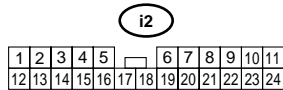
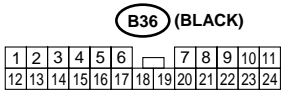
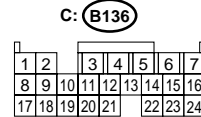
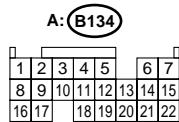
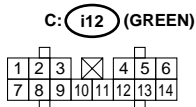
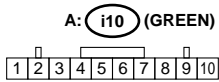
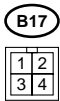
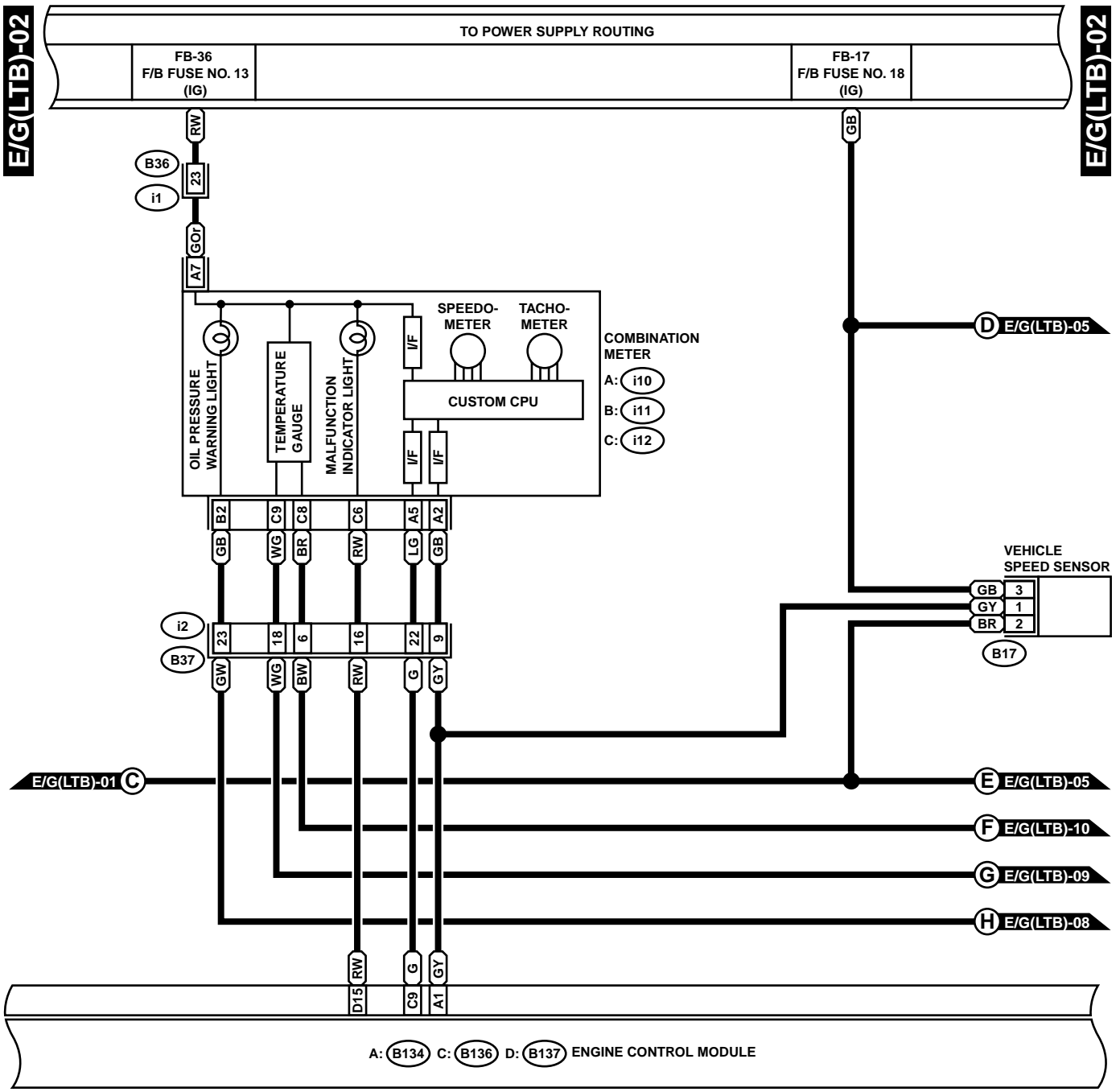
B: B135



GL10-21A

ENGINE ELECTRICAL SYSTEM

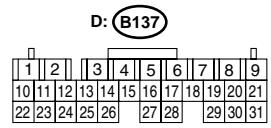
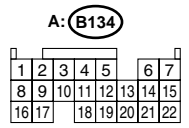
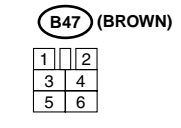
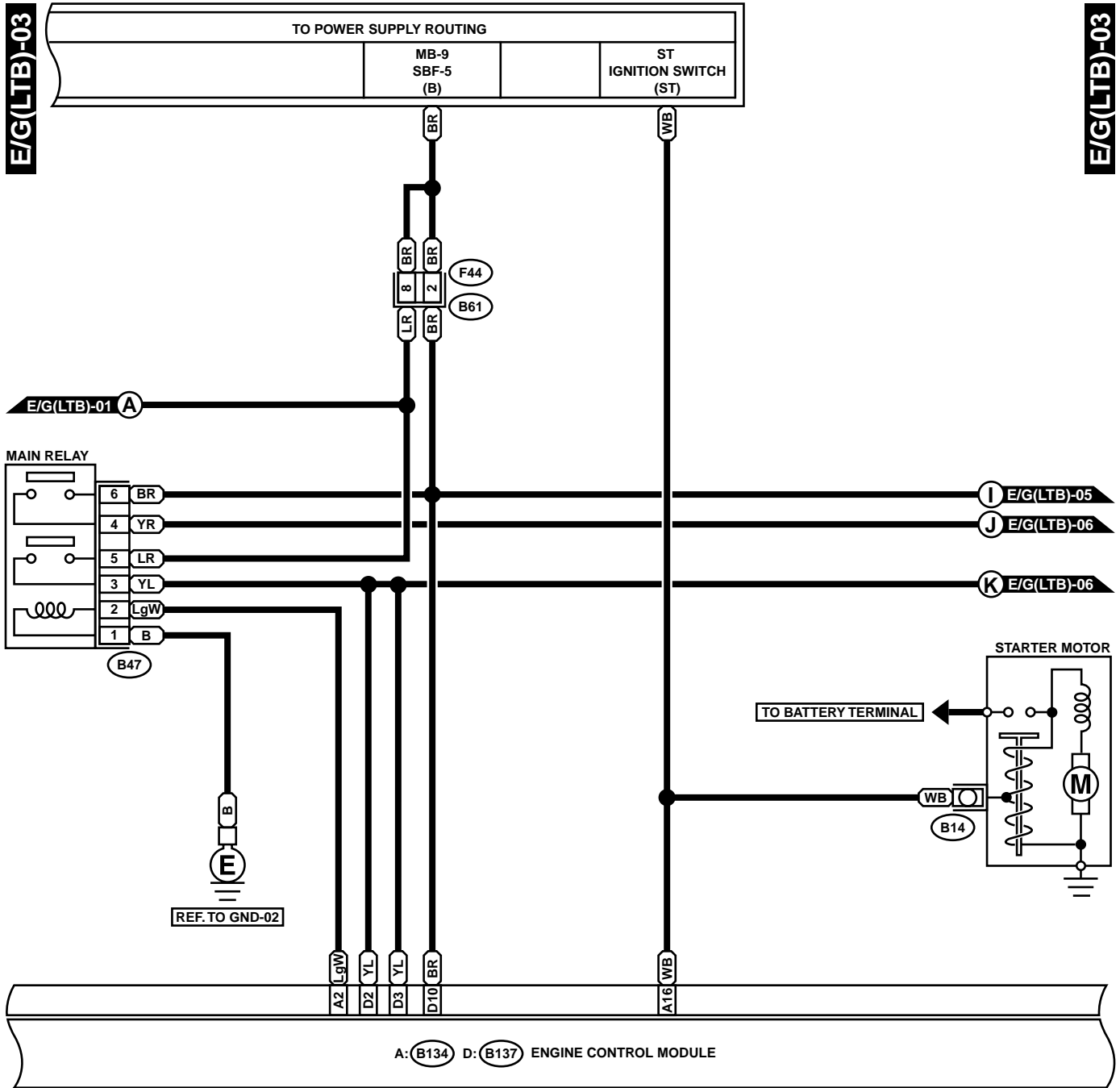
WIRING SYSTEM



GL10-21B

ENGINE ELECTRICAL SYSTEM

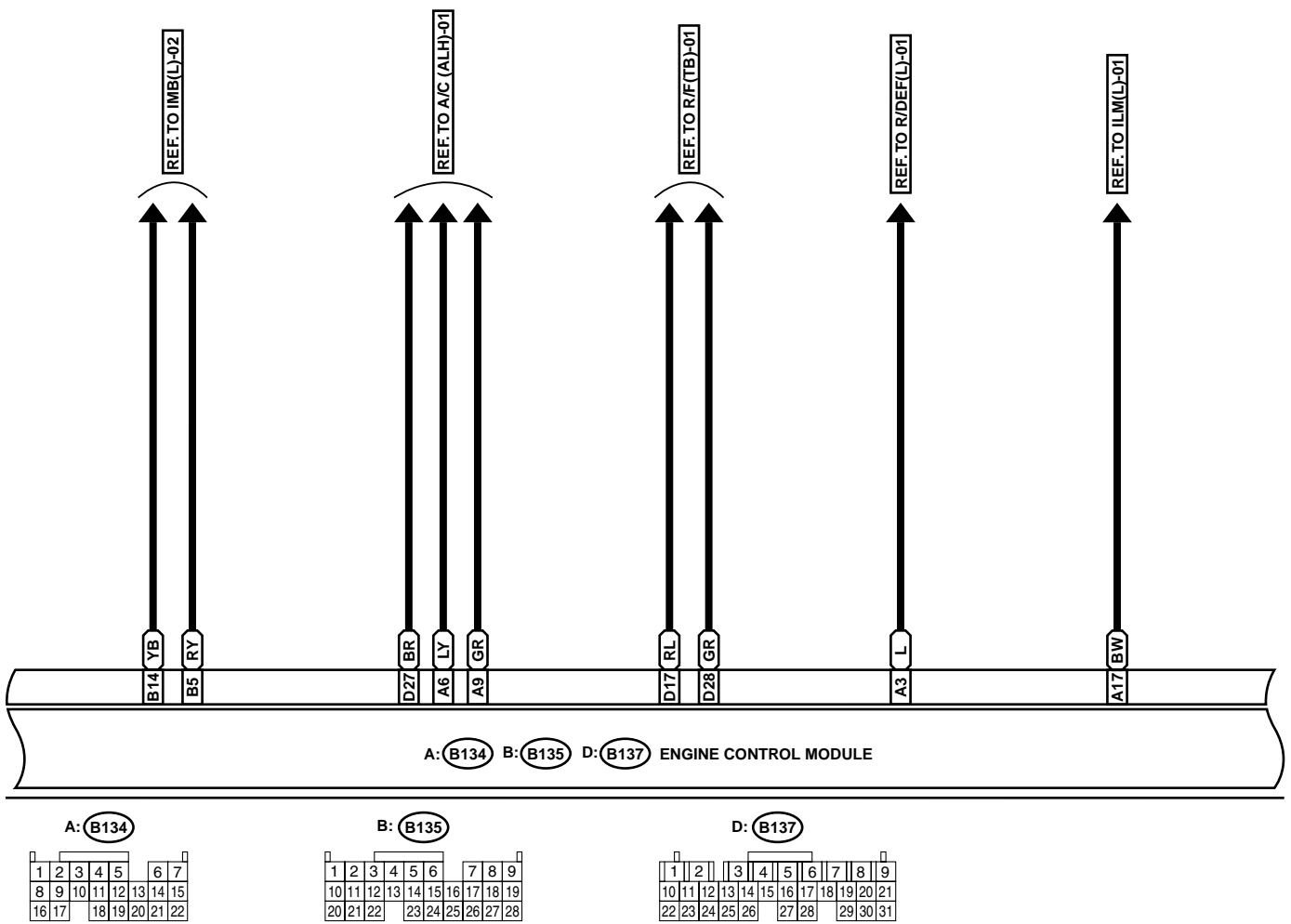
WIRING SYSTEM



GL10-21C

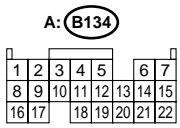
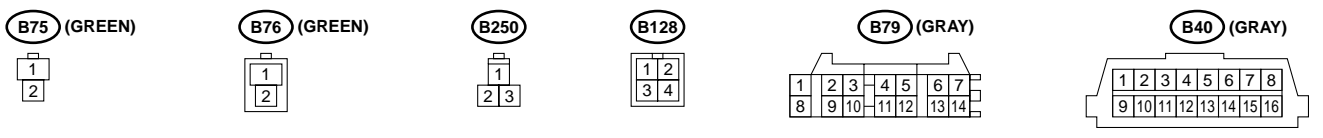
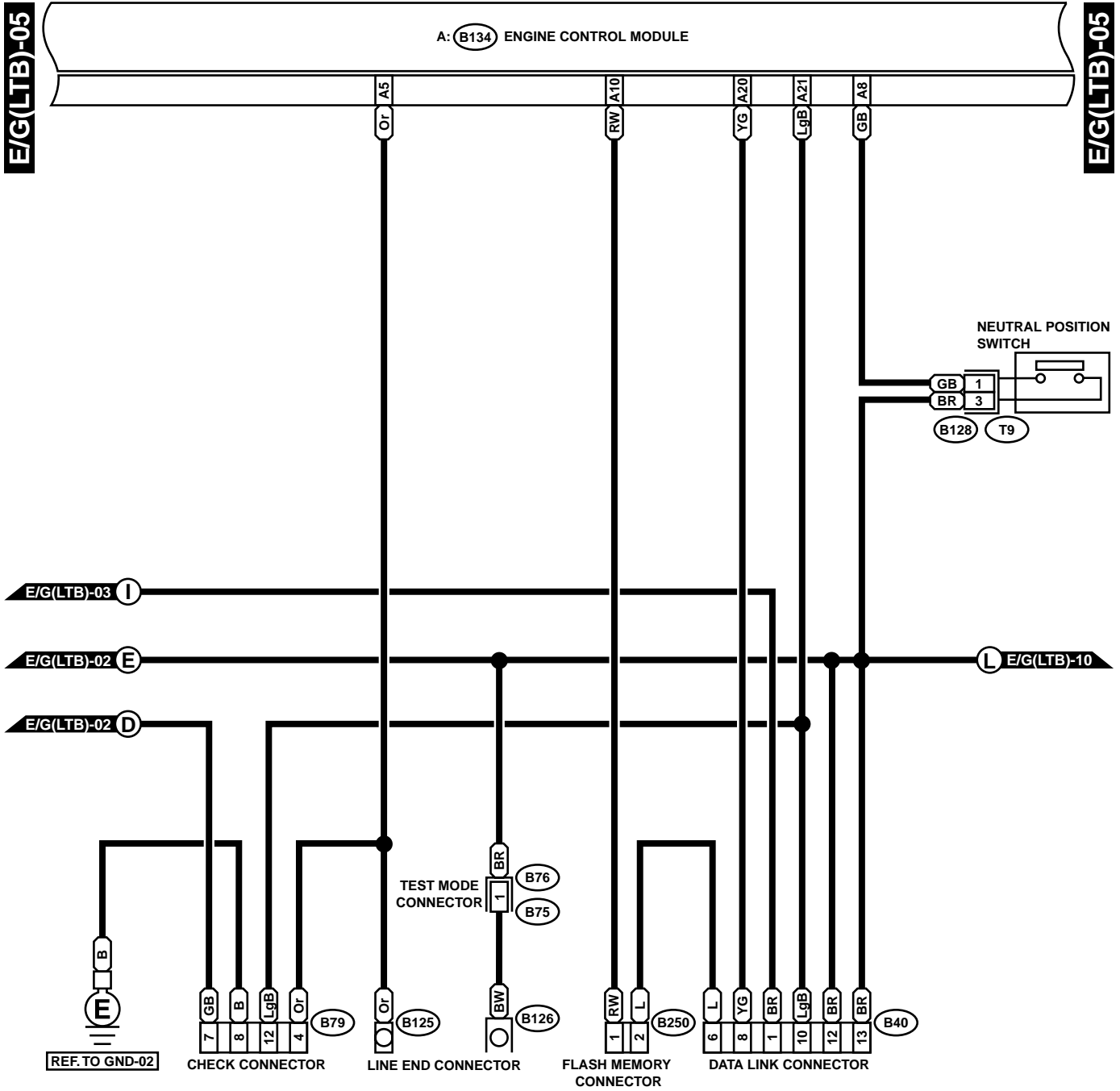
E/G(LTB)-04

E/G(LTB)-04



ENGINE ELECTRICAL SYSTEM

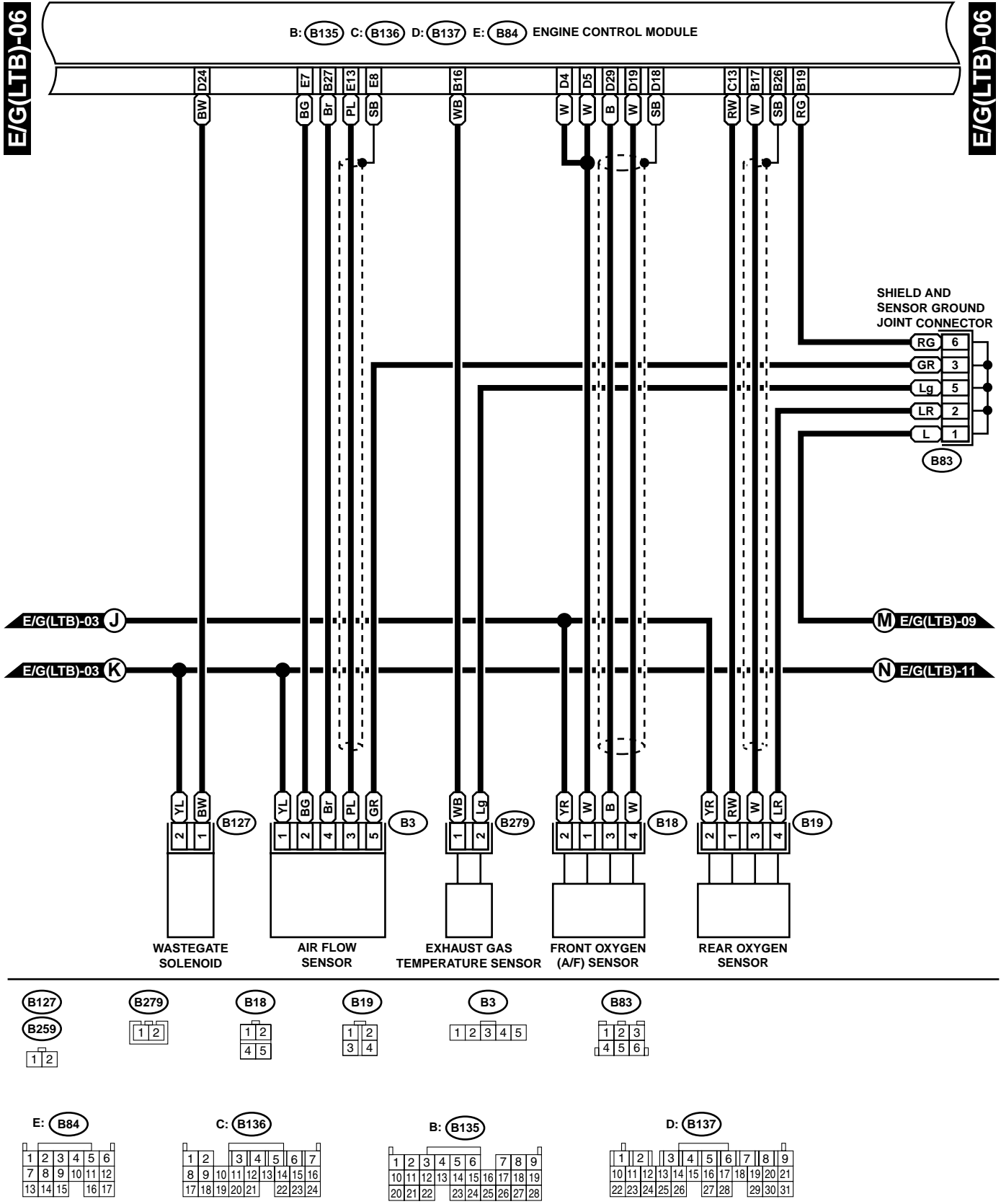
WIRING SYSTEM



GL10-21E

ENGINE ELECTRICAL SYSTEM

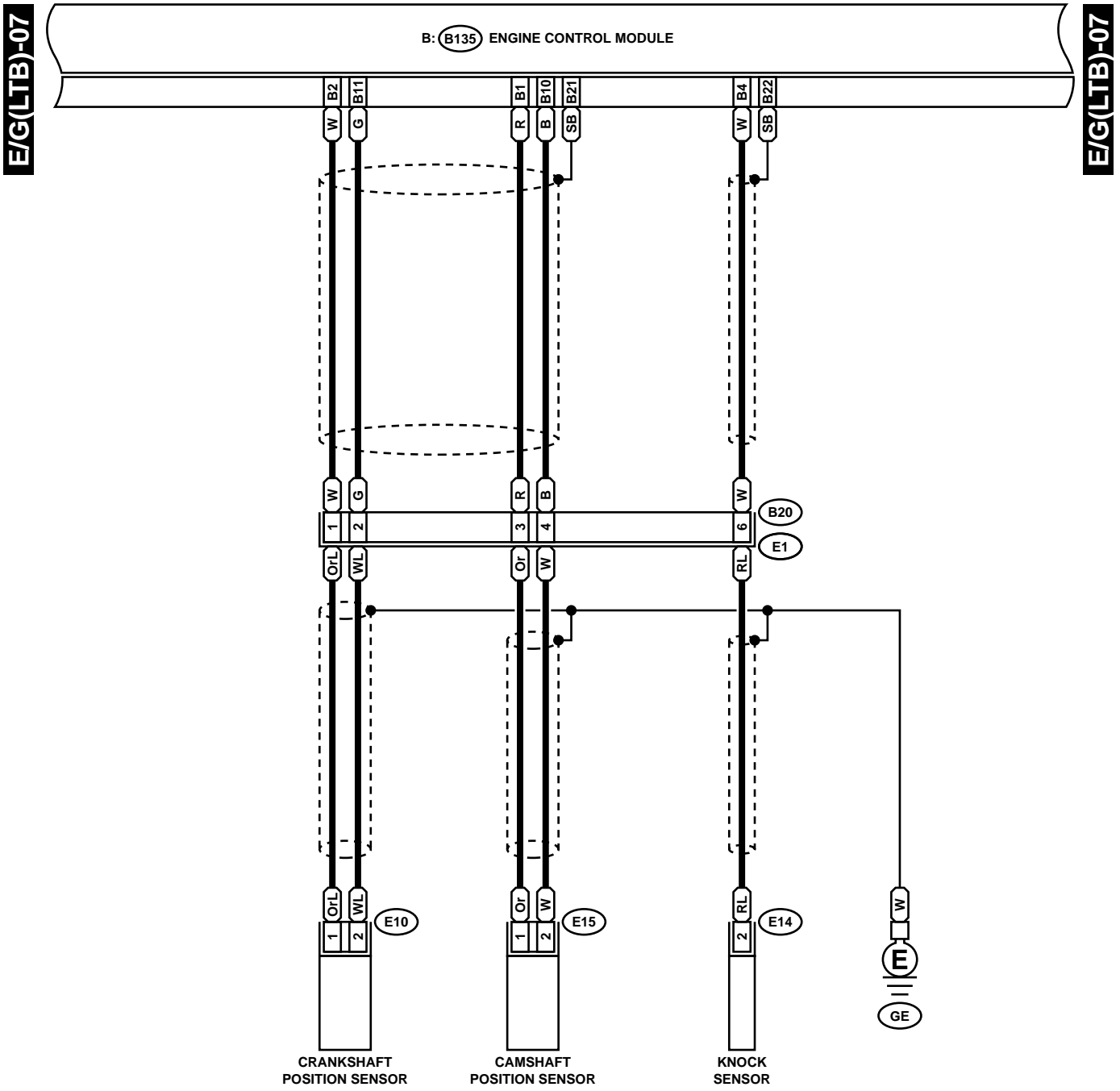
WIRING SYSTEM



GL10-21F

ENGINE ELECTRICAL SYSTEM

WIRING SYSTEM



- E10** (LIGHT GRAY)
- E14** (GRAY)
- E15** (LIGHT GRAY)

B20 (LIGHT GRAY)

1	2	3	4
5	6	7	
8	9	10	

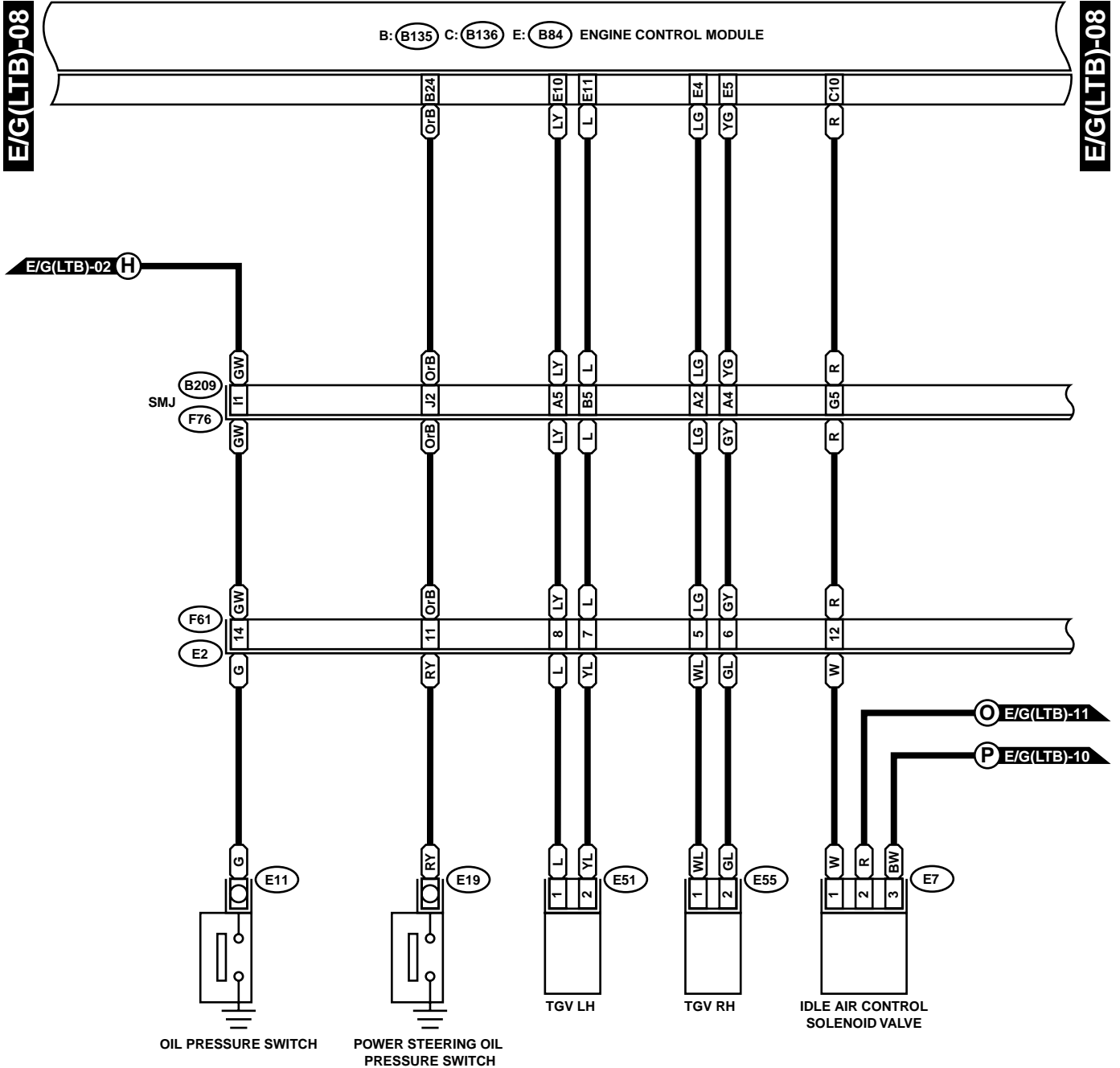
B: B135

1	2	3	4	5	6	7	8	9	
10	11	12	13	14	15	16	17	18	19
20	21	22	23	24	25	26	27	28	

GL10-21G

ENGINE ELECTRICAL SYSTEM

WIRING SYSTEM



E51 (BLACK)

E7 (BLACK)

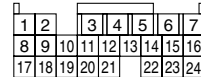
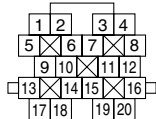
F61 (BLACK)

B: B135

C: B136

E: B84

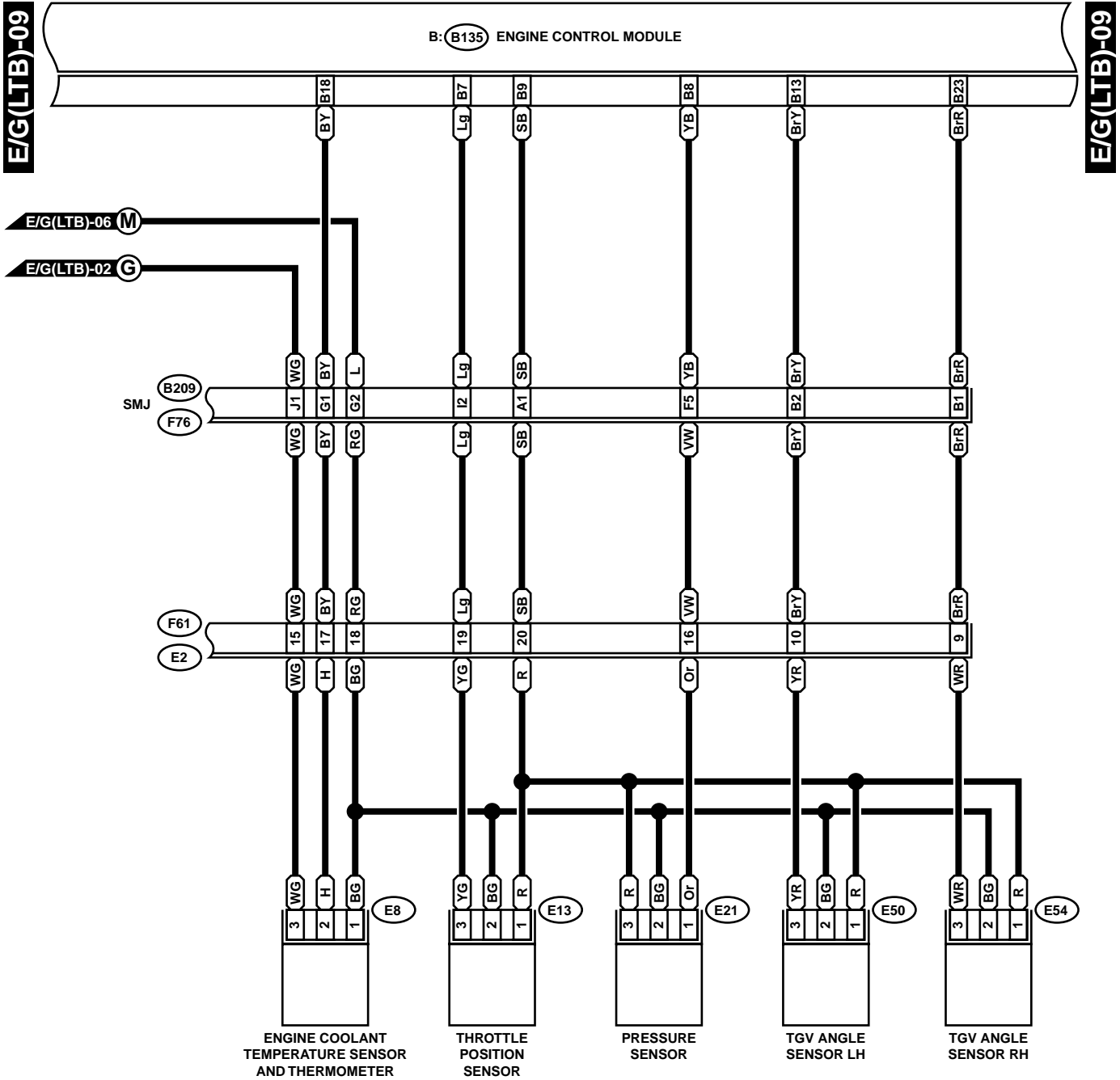
E55 (BLACK)



GL10-21H

ENGINE ELECTRICAL SYSTEM

WIRING SYSTEM



E8 (LIGHT GRAY)



E13 (BLACK)

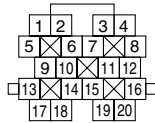
E21 (BLACK)

E50 (BLACK)

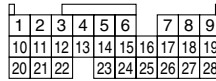
E54 (BLACK)



F61 (BLACK)



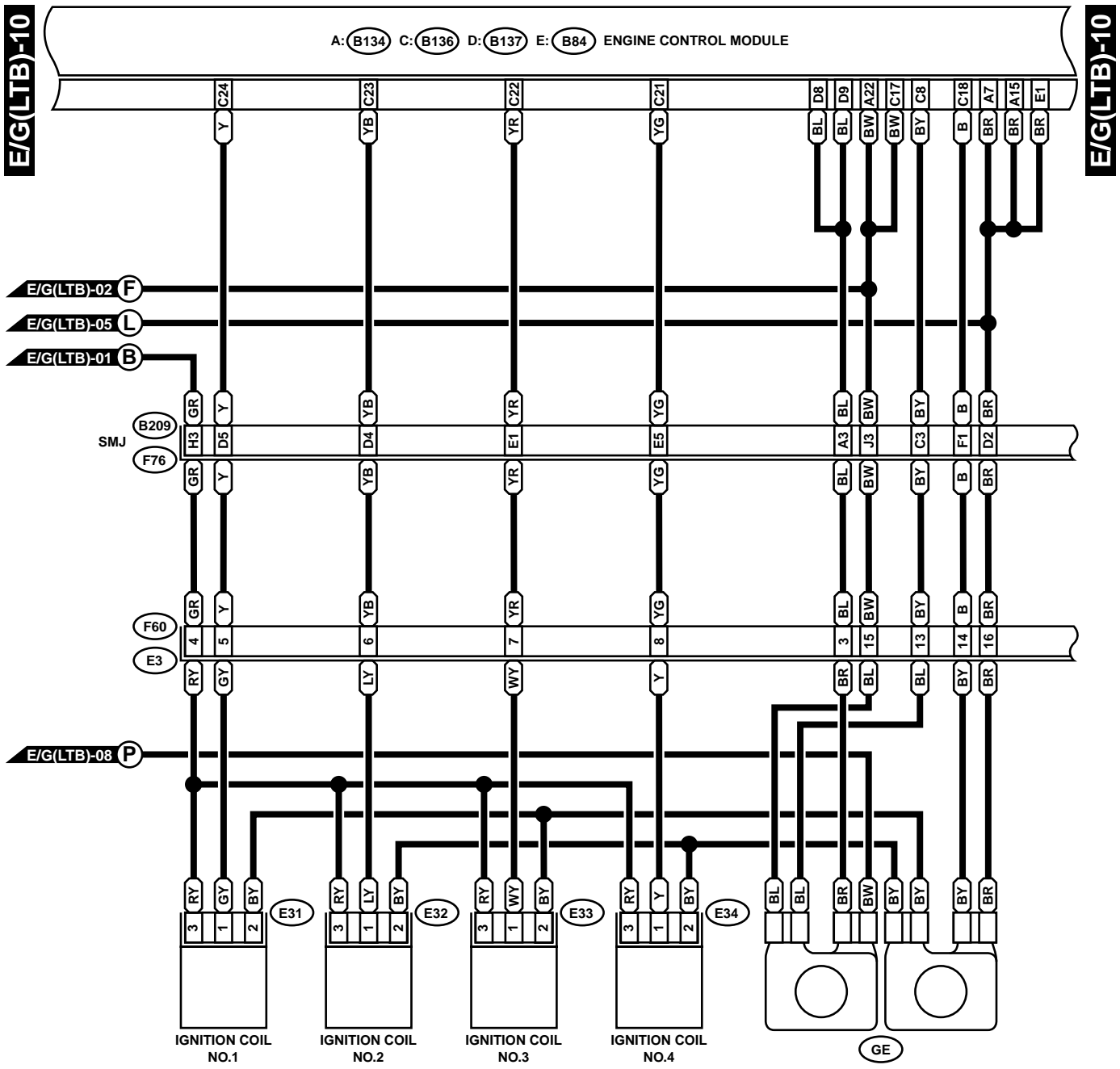
B: B135



GL10-211

ENGINE ELECTRICAL SYSTEM

WIRING SYSTEM



E31

F60 (BROWN)

A: B134

C: B136

D: B137

E: B84

E32

1	2	3	4
5	6	7	8
9	10	11	12
13	14	15	16

1	2	3	4	5	6	7	
8	9	10	11	12	13	14	15
16	17	18	19	20	21	22	

1	2	3	4	5	6	7		
8	9	10	11	12	13	14	15	16
17	18	19	20	21	22	23	24	

1	2	3	4	5	6	7	8	9			
10	11	12	13	14	15	16	17	18	19	20	21
22	23	24	25	26	27	28	29	30	31		

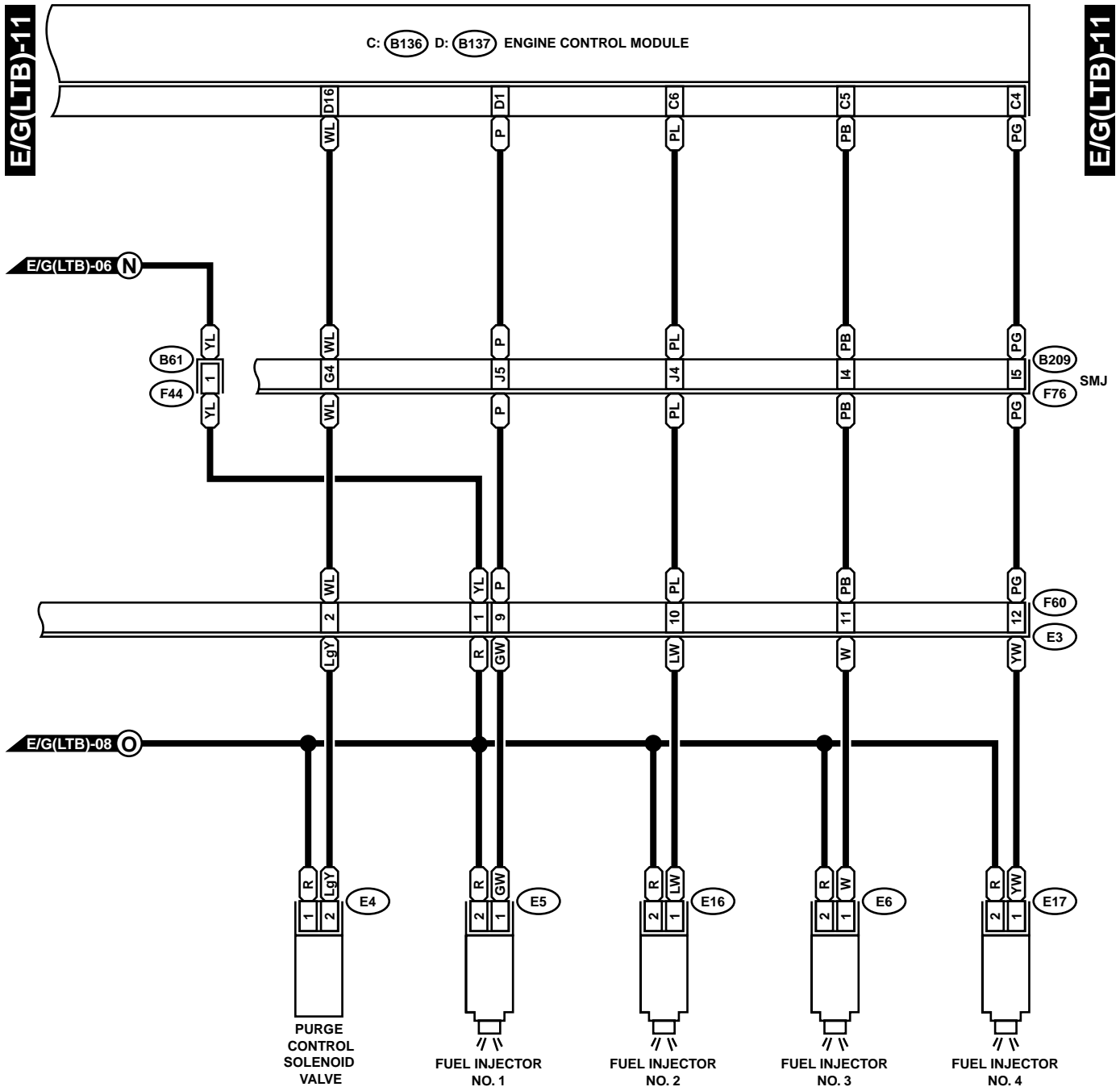
1	2	3	4	5	6
7	8	9	10	11	12
13	14	15	16	17	

1
2
3

GL10-21J

ENGINE ELECTRICAL SYSTEM

WIRING SYSTEM



E5 (DARK GRAY) E4 (BLACK) F60 (BROWN) F44 C: B136 D: B137

1	2
1	2

1	2	3	4
5	6	7	8
9	10	11	12
13	14	15	16

1	2	3	4
5	6	7	8

1	2	3	4	5	6	7
8	9	10	11	12	13	14
15	16	17	18	19	20	21
22	23	24	25	26	27	28
29	30	31				

1	2	3	4	5	6	7	8	9
10	11	12	13	14	15	16	17	18
19	20	21	22	23	24	25	26	27
28	29	30	31					

E16 (DARK GRAY) E17 (DARK GRAY)

1	2
---	---

GL10-21K

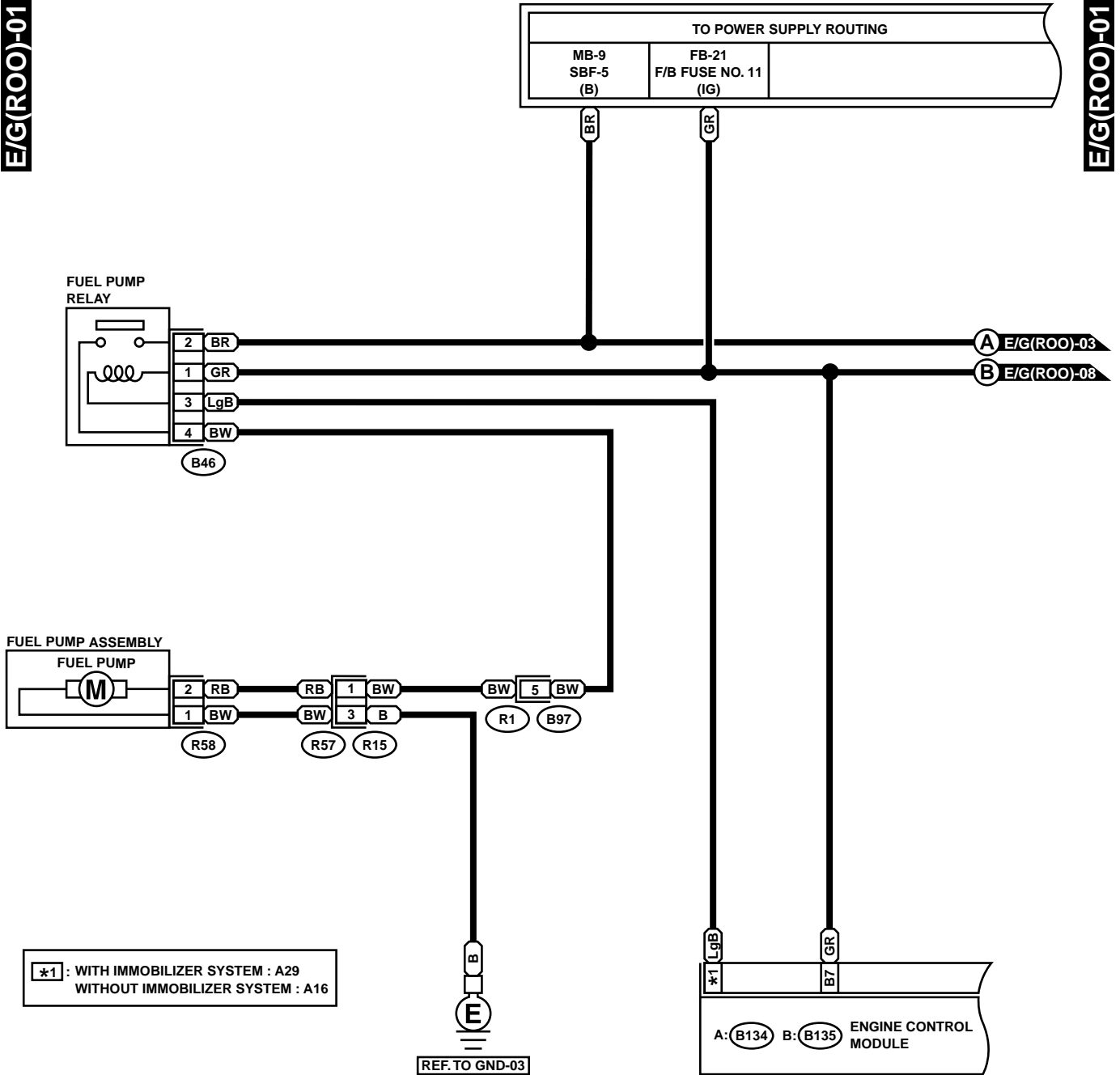
ENGINE ELECTRICAL SYSTEM

WIRING SYSTEM

4. RHD SOHC W/O OBD MODEL

E/G(ROO)-01

E/G(ROO)-01



*1 : WITH IMMOBILIZER SYSTEM : A29
WITHOUT IMMOBILIZER SYSTEM : A16

B46 (GREEN)



R15 (BLACK)



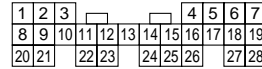
R58



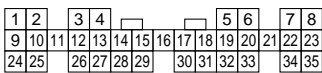
B97



B: B135



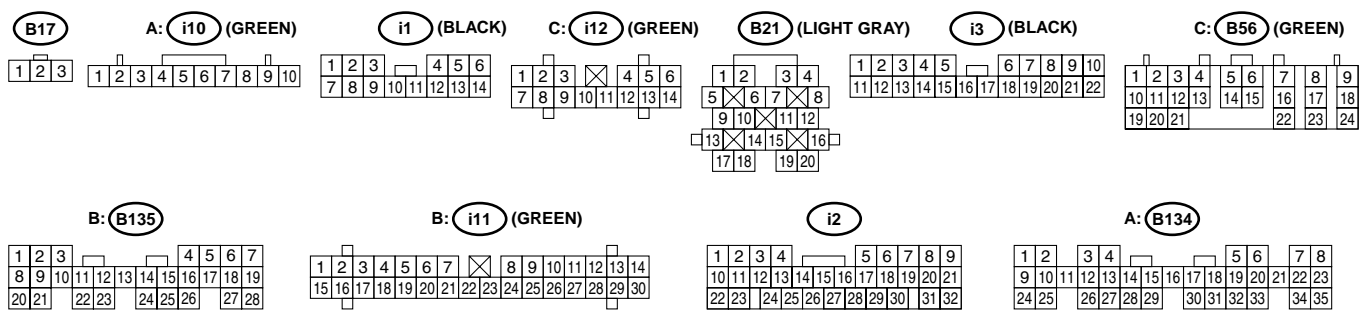
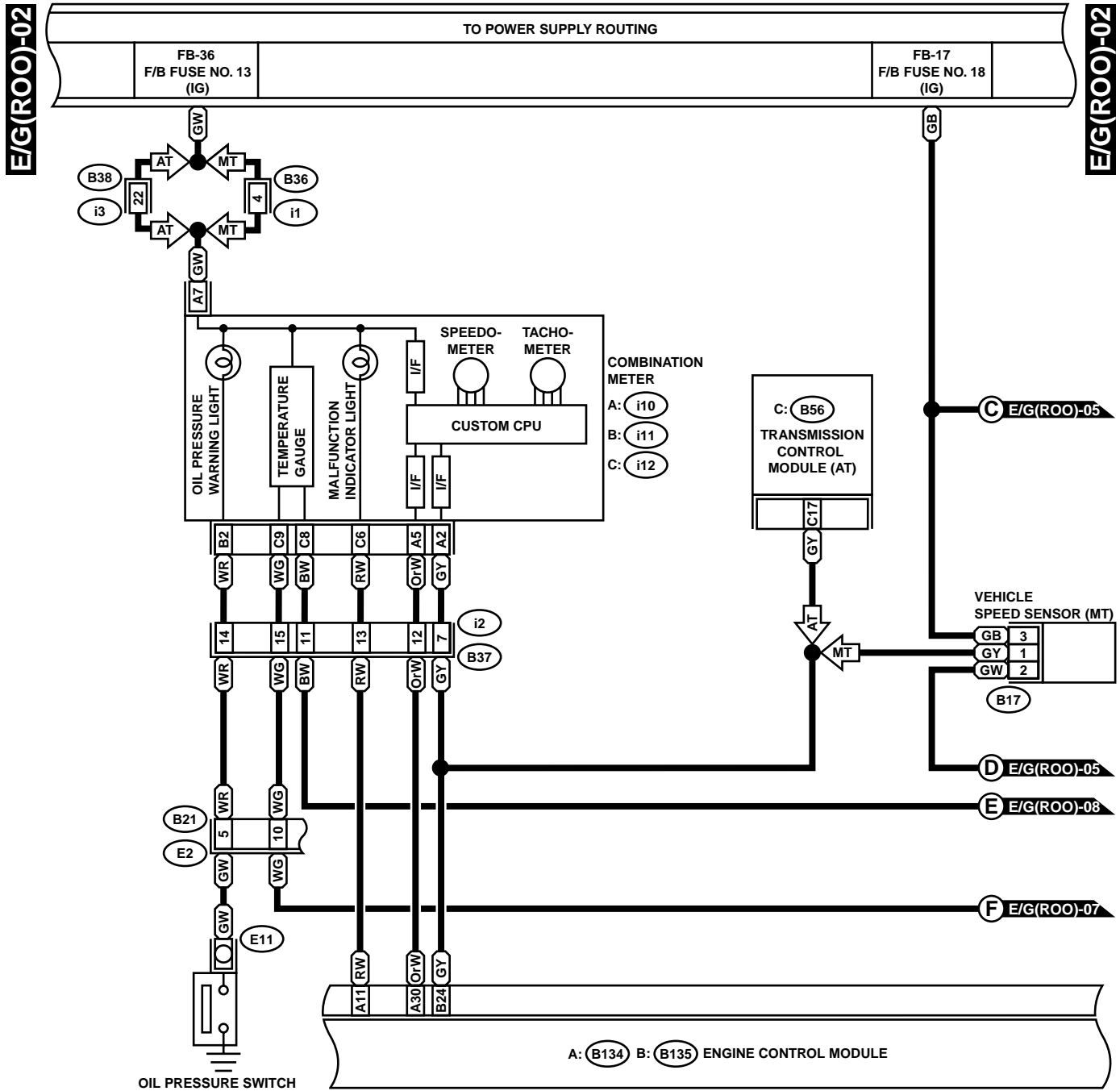
A: B134



GR10-20A

ENGINE ELECTRICAL SYSTEM

WIRING SYSTEM



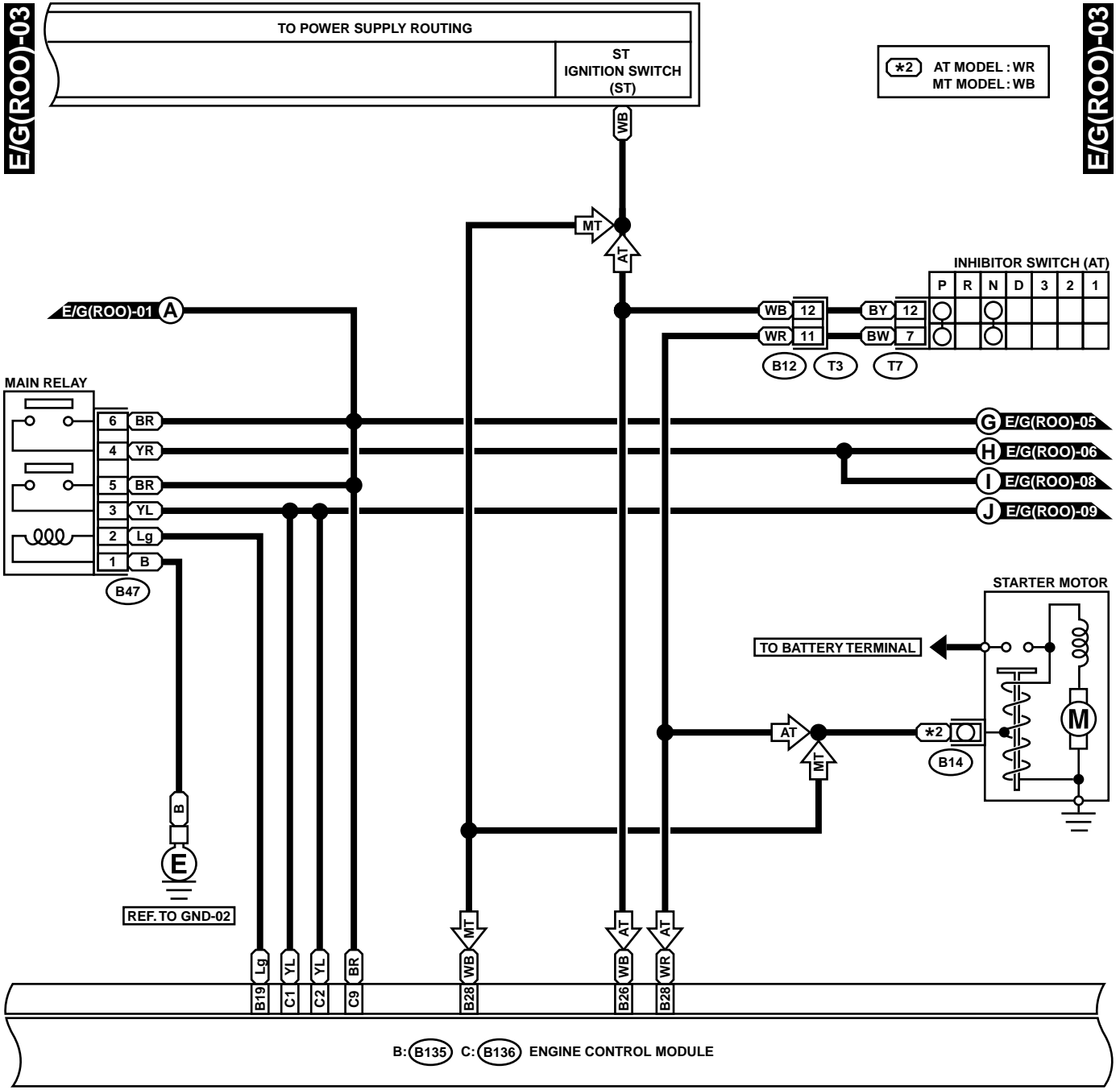
GR10-20B

ENGINE ELECTRICAL SYSTEM

WIRING SYSTEM

E/G(ROO)-03

E/G(ROO)-03



(B47) (BROWN)

1	2
3	4
5	6

(F44)

1	2	3	4
5	6	7	8

(B12)

1	2	3	4
5	6	7	8
9	10	11	12

(T7)

1	2	3	4	5	6
7	8	9	10	11	12

B: (B135)

1	2	3			4	5	6	7			
8	9	10	11	12	13	14	15	16	17	18	19
20	21	22	23	24	25	26	27	28			

C: (B136)

1	2	3			4	5	6	7				
8	9	10	11	12	13	14	15	16	17	18	19	20
21	22	23	24	25	26	27	28	29	30			

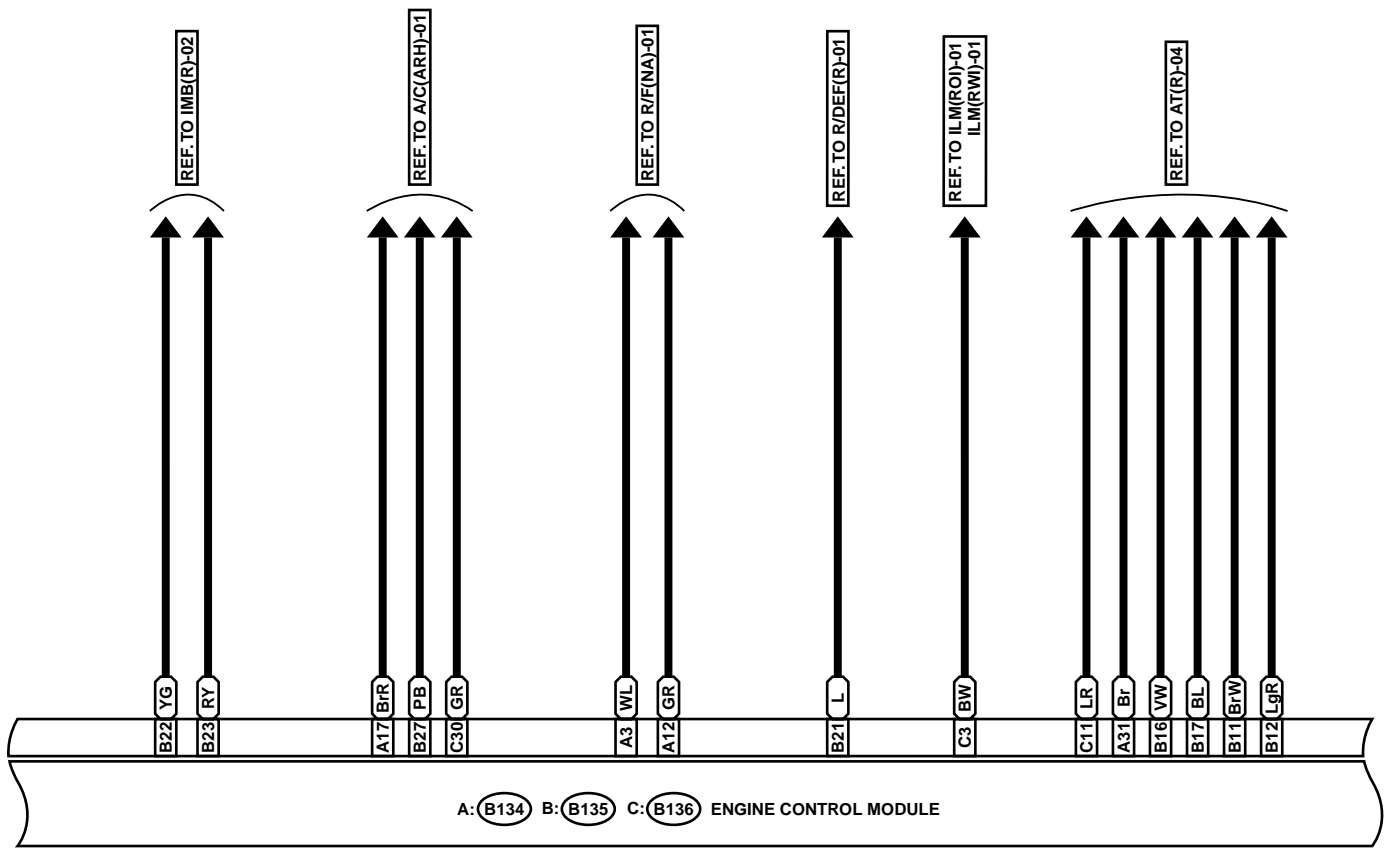
GR10-20C

ENGINE ELECTRICAL SYSTEM

WIRING SYSTEM

E/G(ROO)-04

E/G(ROO)-04



B: (B135)

1	2	3		4	5	6	7				
8	9	10	11	12	13	14	15	16	17	18	19
20	21	22	23	24	25	26	27	28			

C: (B136)

1	2	3		4	5	6	7					
8	9	10	11	12	13	14	15	16	17	18	19	20
21	22	23	24	25	26	27	28	29	30			

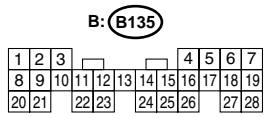
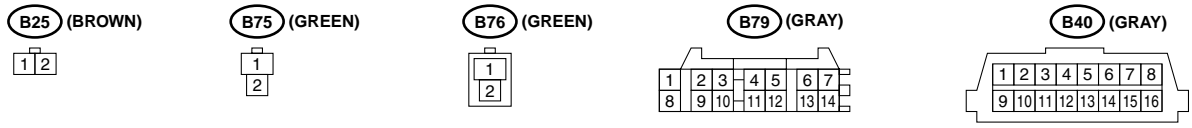
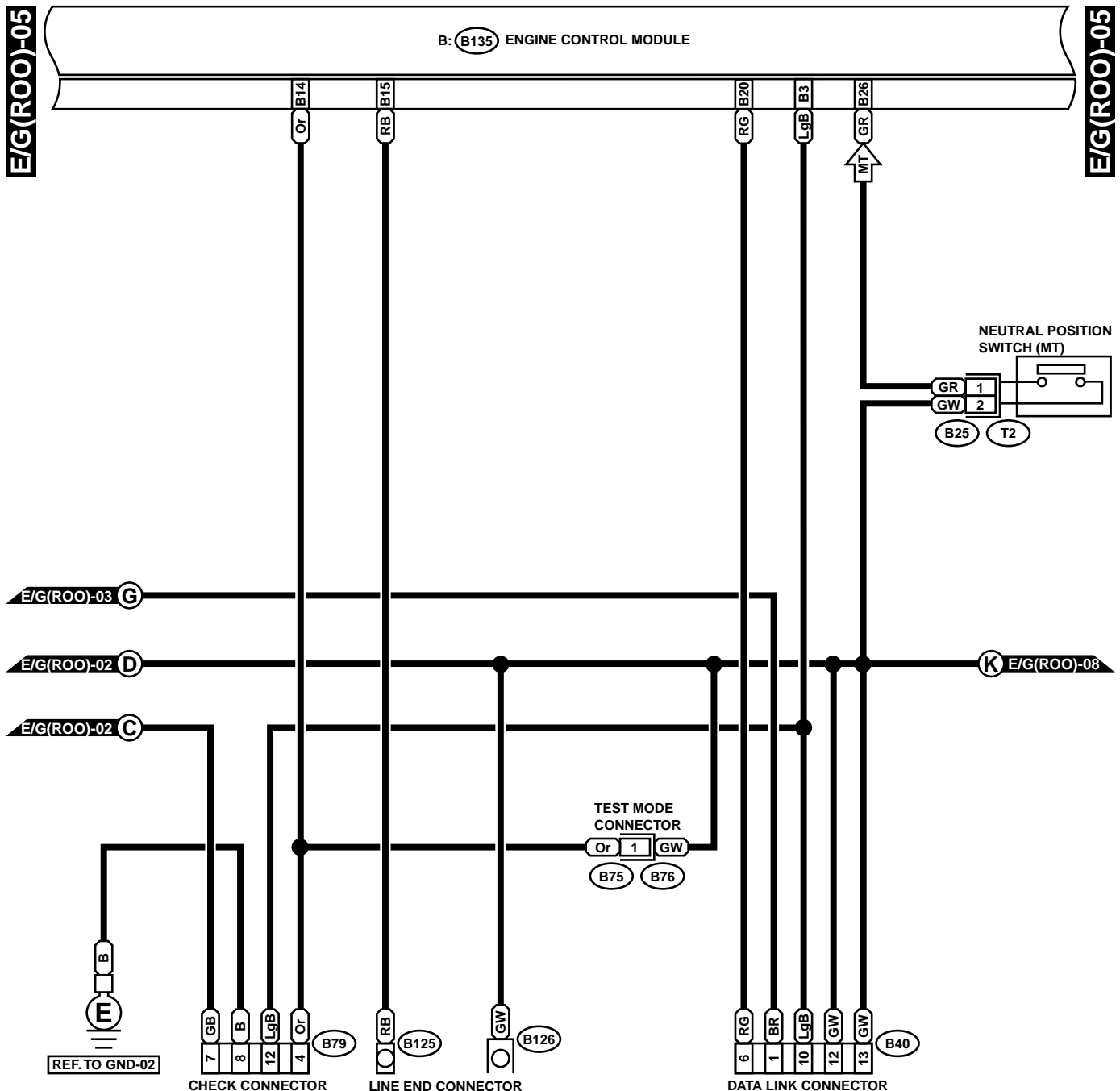
A: (B134)

1	2	3	4		5	6	7	8						
9	10	11	12	13	14	15	16	17	18	19	20	21	22	23
24	25	26	27	28	29	30	31	32	33	34	35			

GR10-20D

ENGINE ELECTRICAL SYSTEM

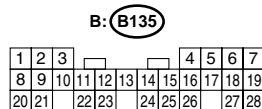
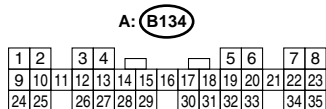
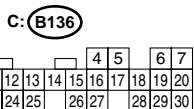
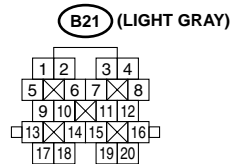
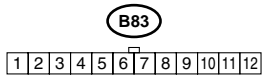
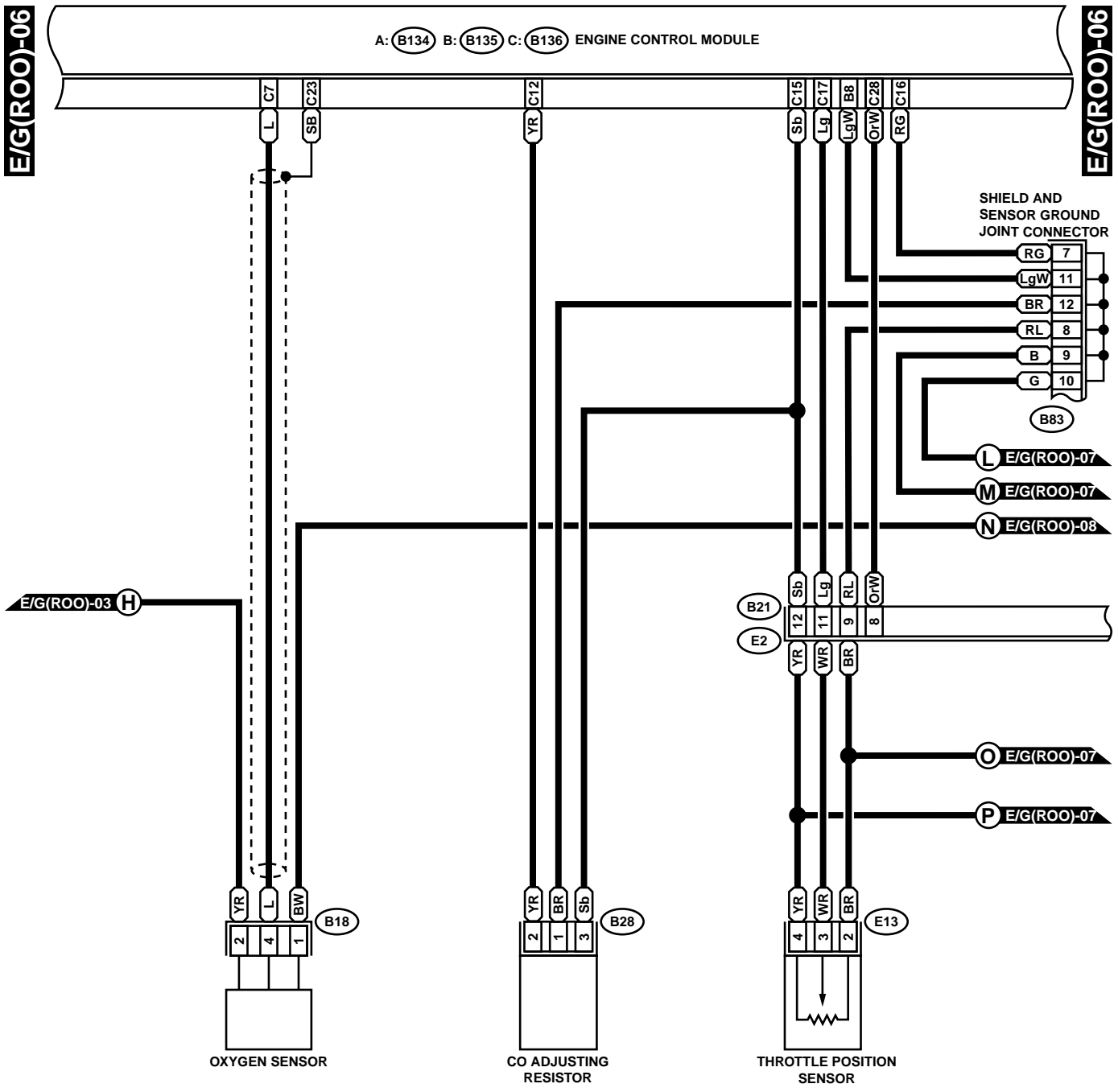
WIRING SYSTEM



GR10-20E

ENGINE ELECTRICAL SYSTEM

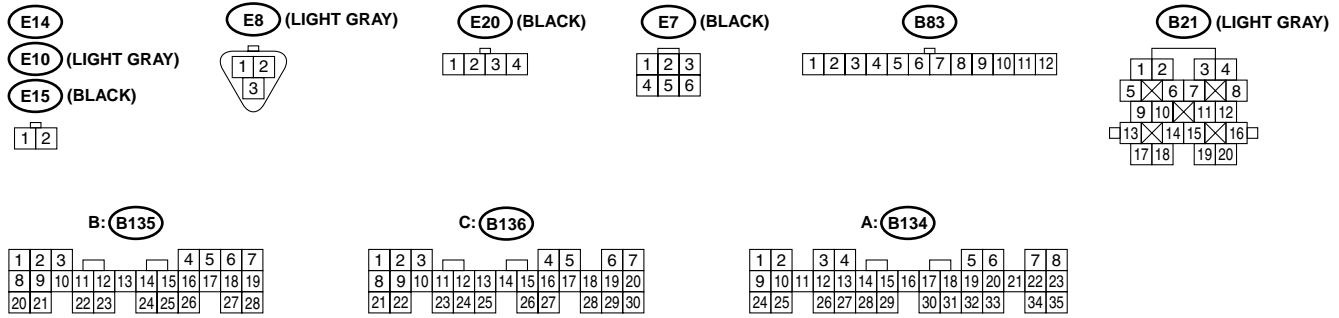
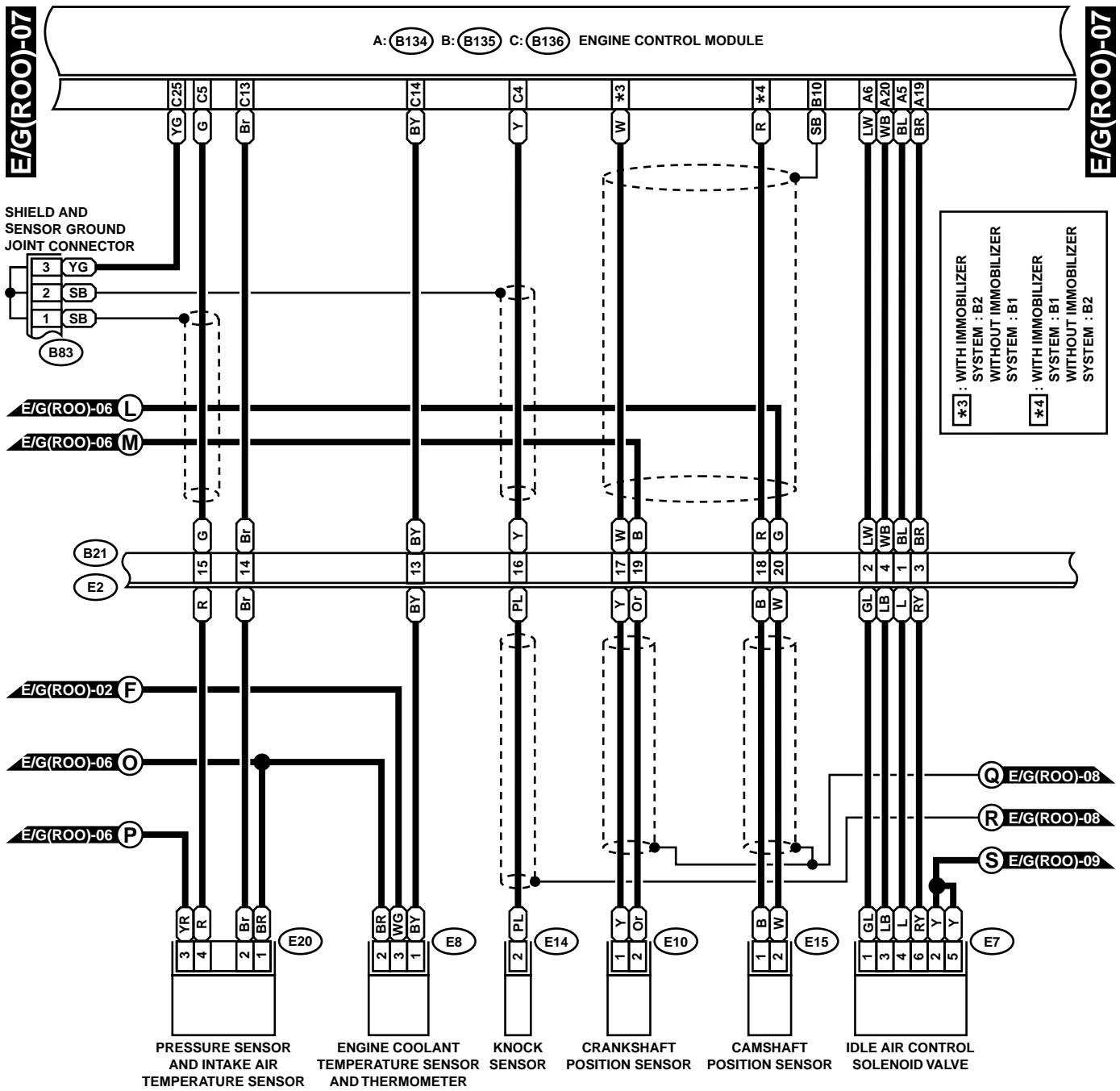
WIRING SYSTEM



GR10-20F

ENGINE ELECTRICAL SYSTEM

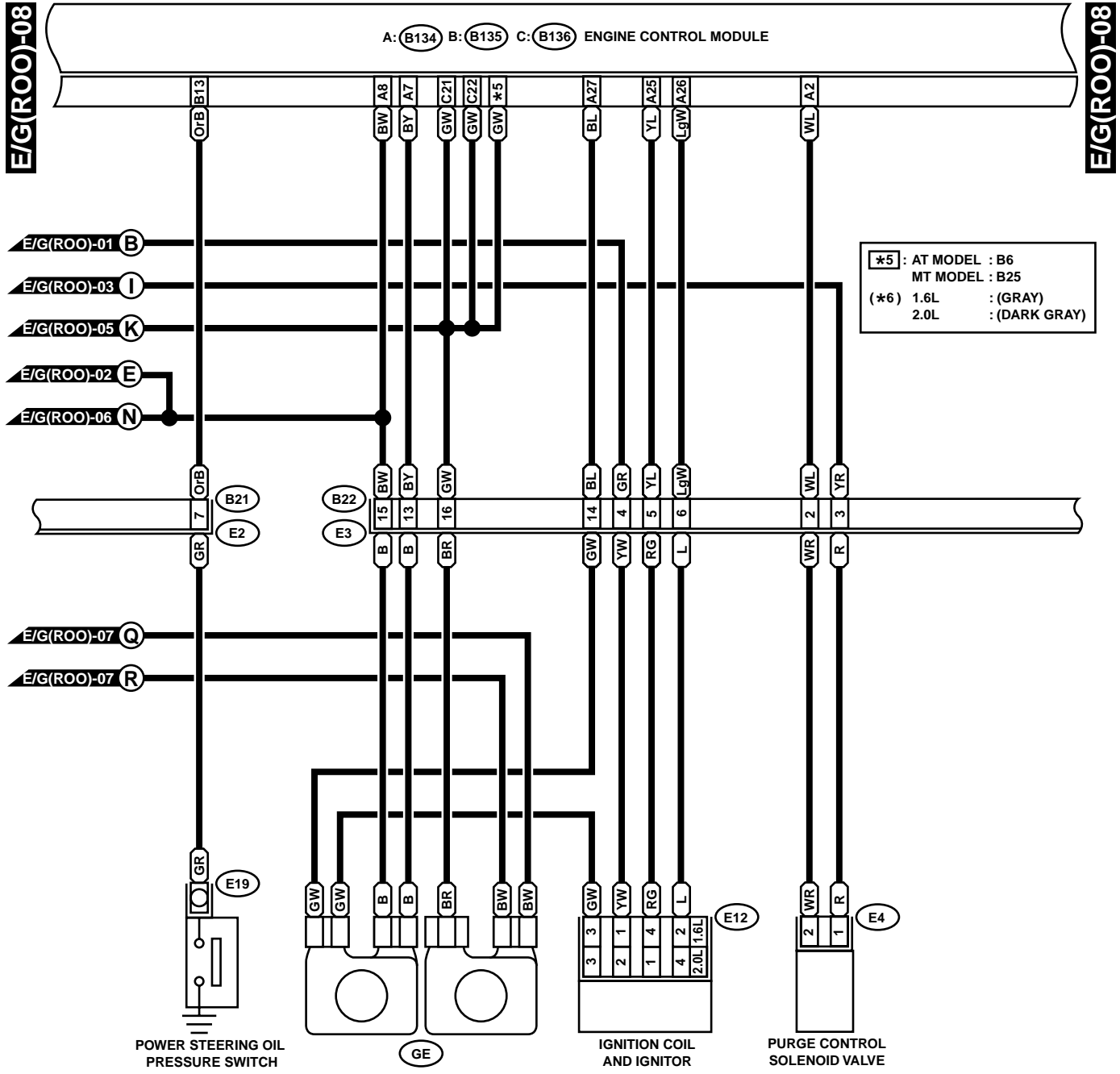
WIRING SYSTEM



GR10-20G

ENGINE ELECTRICAL SYSTEM

WIRING SYSTEM



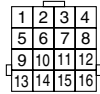
E4 (BLUE)



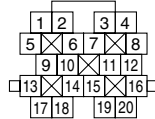
E12 (*6)



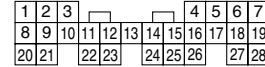
B22 (BROWN)



B21 (LIGHT GRAY)



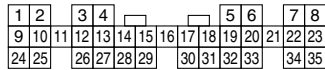
B: B135



C: B136



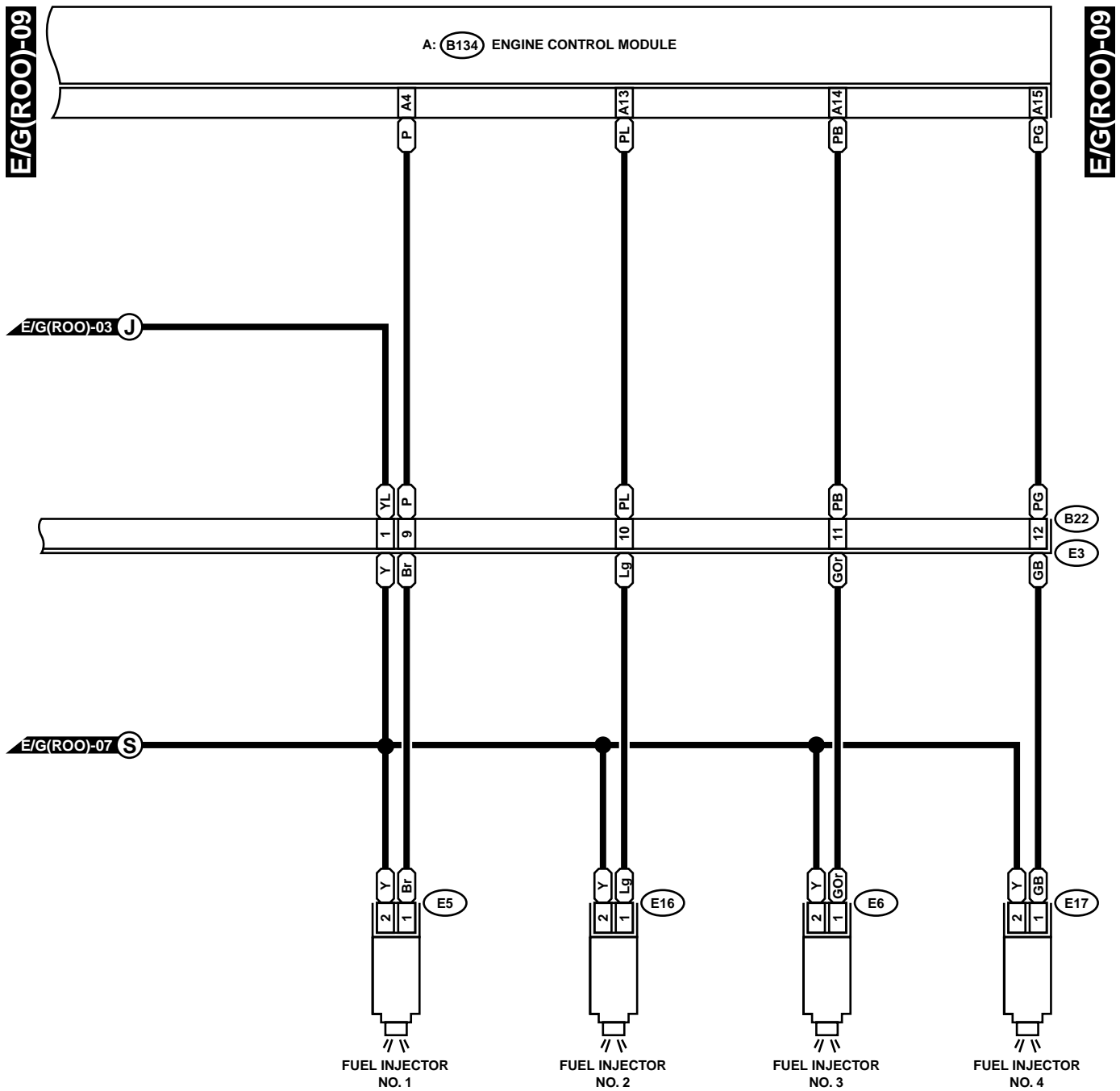
A: B134



GR10-20H

ENGINE ELECTRICAL SYSTEM

WIRING SYSTEM



E5 (LIGHT GRAY)

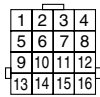
E6 (LIGHT GRAY)

E16 (LIGHT GRAY)

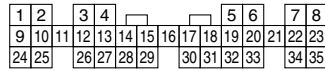
E17 (LIGHT GRAY)



B22 (BROWN)



A: B134



GR10-201

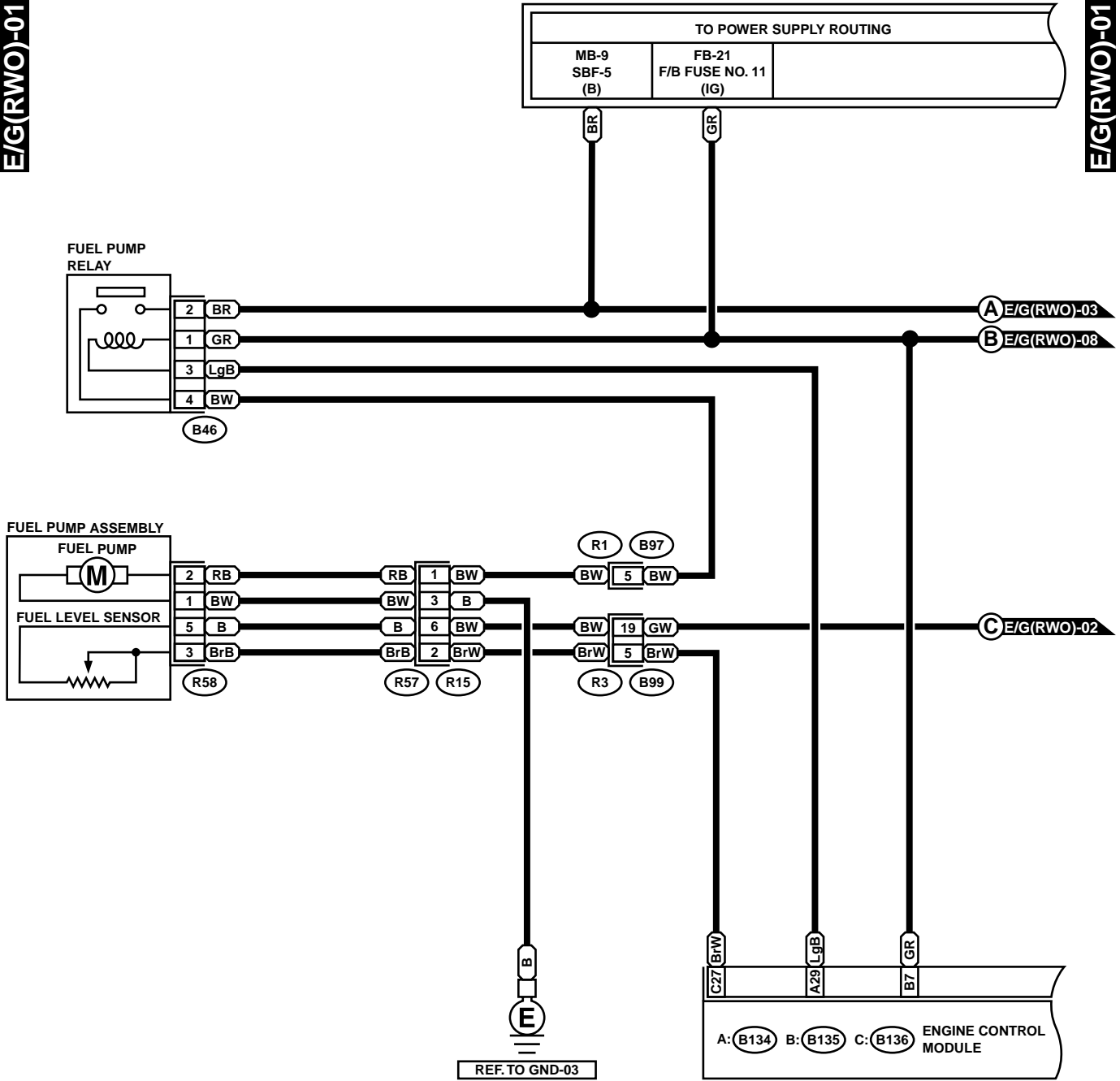
ENGINE ELECTRICAL SYSTEM

WIRING SYSTEM

5. RHD SOHC MODEL

E/G(RWO)-01

E/G(RWO)-01



(B46) (GREEN)



(R15) (BLACK)



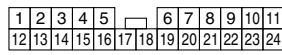
(R58)



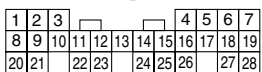
(B97)



(B99)



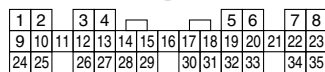
B: (B135)



C: (B136)

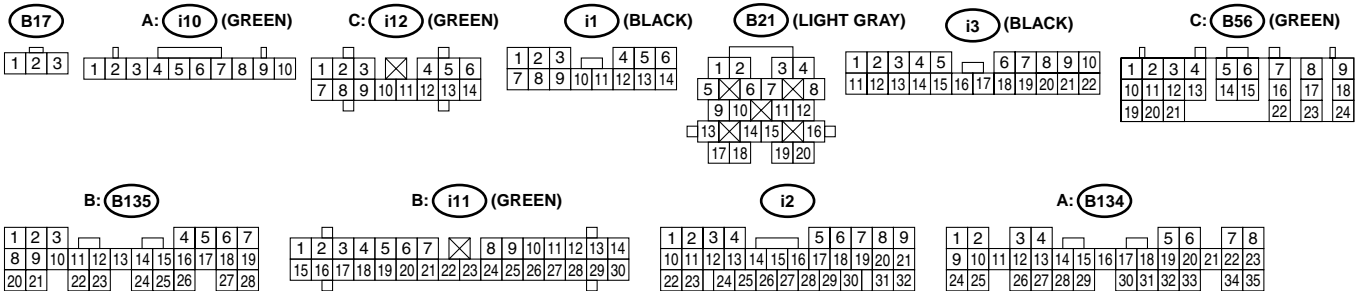
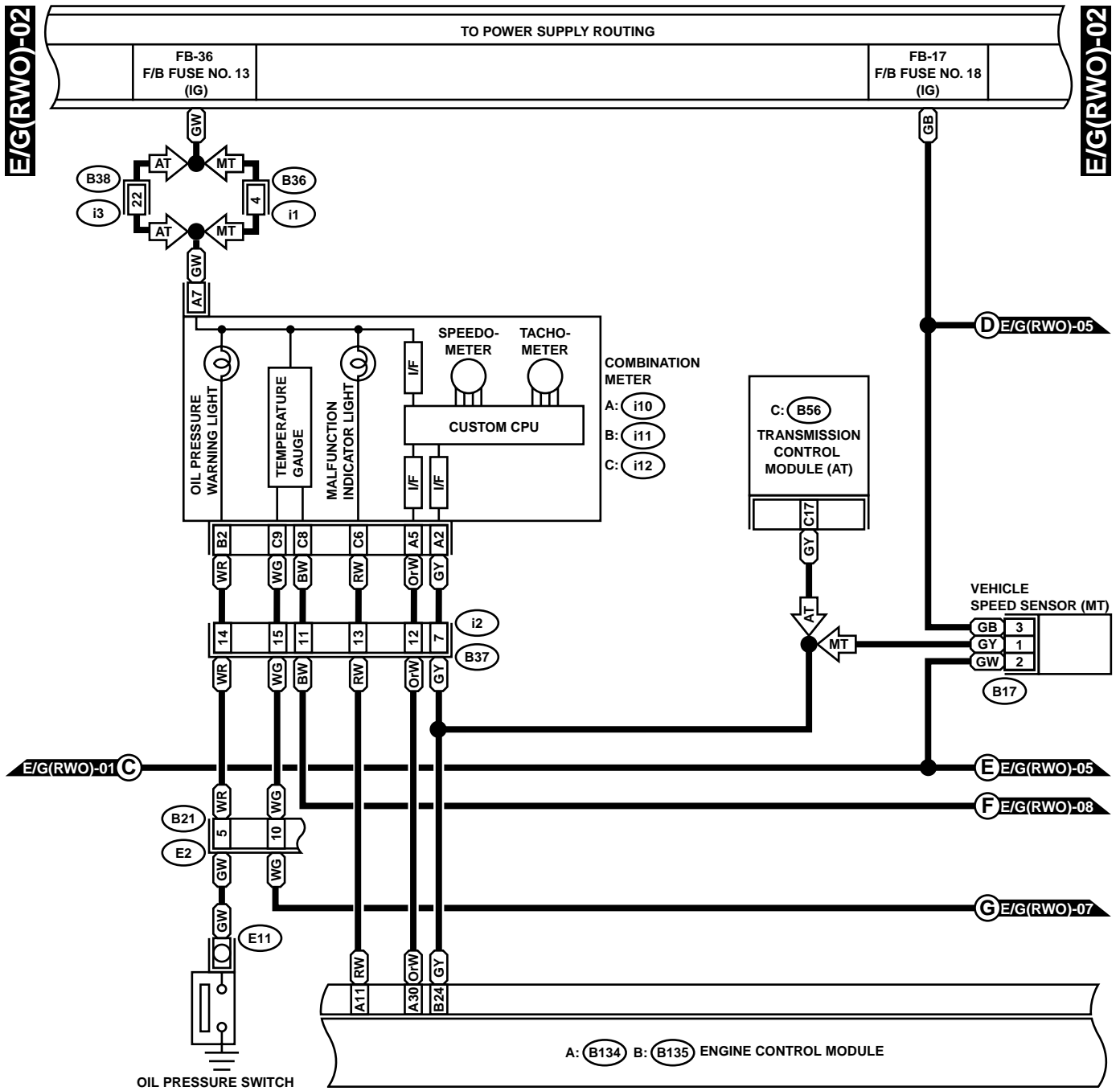


A: (B134)



ENGINE ELECTRICAL SYSTEM

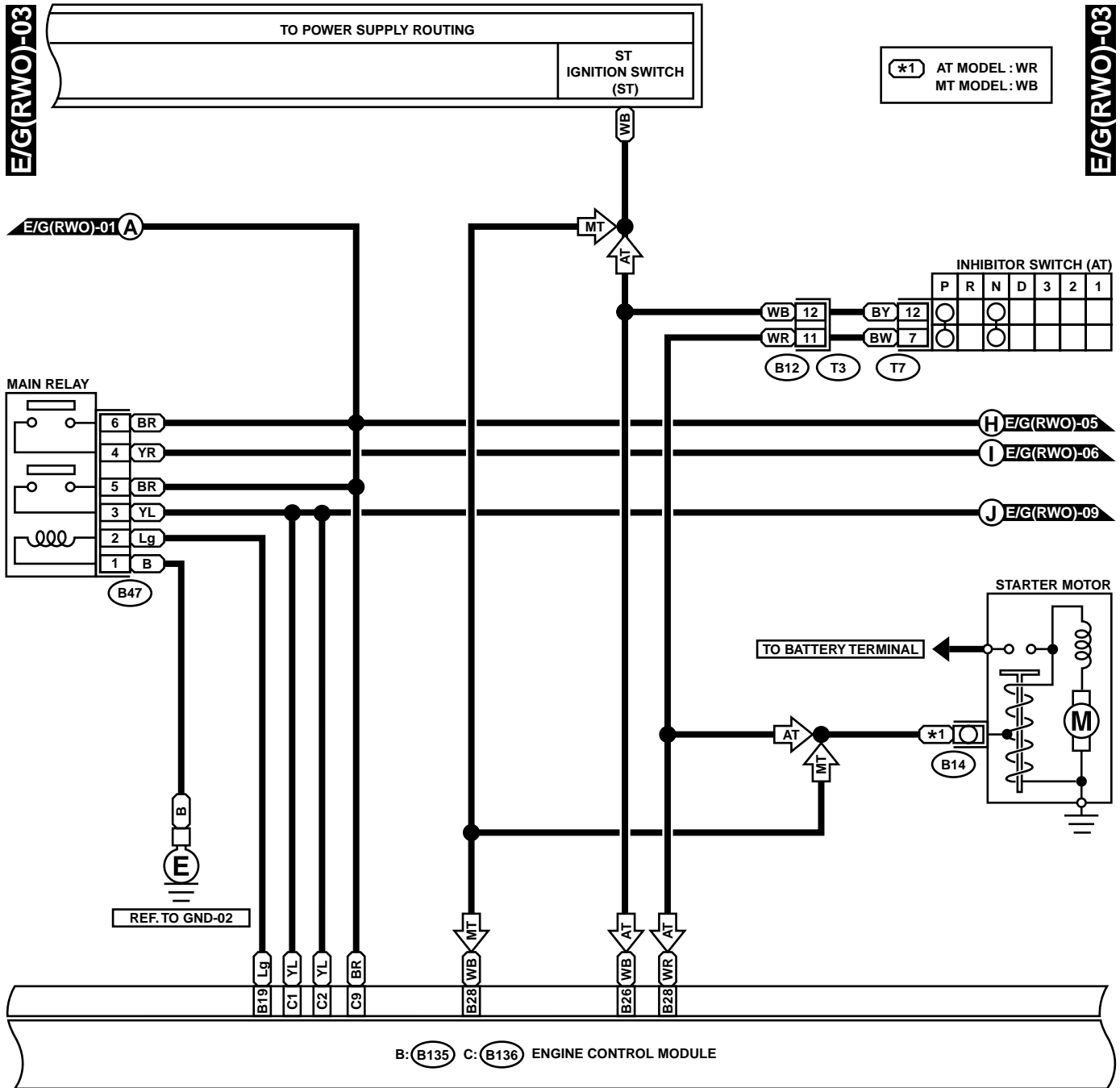
WIRING SYSTEM



GR10-22B

ENGINE ELECTRICAL SYSTEM

WIRING SYSTEM



B47 (BROWN)	F44	B12	T7	B: B135	C: B136																																																																																								
<table border="1"> <tr><td>1</td><td>2</td></tr> <tr><td>3</td><td>4</td></tr> <tr><td>5</td><td>6</td></tr> </table>	1	2	3	4	5	6	<table border="1"> <tr><td>1</td><td>2</td><td>3</td><td>4</td></tr> <tr><td>5</td><td>6</td><td>7</td><td>8</td></tr> </table>	1	2	3	4	5	6	7	8	<table border="1"> <tr><td>1</td><td>2</td><td>3</td><td>4</td></tr> <tr><td>5</td><td>6</td><td>7</td><td>8</td></tr> <tr><td>9</td><td>10</td><td>11</td><td>12</td></tr> </table>	1	2	3	4	5	6	7	8	9	10	11	12	<table border="1"> <tr><td>1</td><td>2</td><td>3</td><td>4</td><td>5</td><td>6</td><td>7</td></tr> <tr><td>8</td><td>9</td><td>10</td><td>11</td><td>12</td><td>13</td><td>14</td></tr> <tr><td>15</td><td>16</td><td>17</td><td>18</td><td>19</td><td>20</td><td>21</td></tr> <tr><td>22</td><td>23</td><td>24</td><td>25</td><td>26</td><td>27</td><td>28</td></tr> </table>	1	2	3	4	5	6	7	8	9	10	11	12	13	14	15	16	17	18	19	20	21	22	23	24	25	26	27	28	<table border="1"> <tr><td>1</td><td>2</td><td>3</td><td>4</td><td>5</td><td>6</td><td>7</td></tr> <tr><td>8</td><td>9</td><td>10</td><td>11</td><td>12</td><td>13</td><td>14</td></tr> <tr><td>15</td><td>16</td><td>17</td><td>18</td><td>19</td><td>20</td><td>21</td></tr> <tr><td>22</td><td>23</td><td>24</td><td>25</td><td>26</td><td>27</td><td>28</td></tr> <tr><td>29</td><td>30</td><td></td><td></td><td></td><td></td><td></td></tr> </table>	1	2	3	4	5	6	7	8	9	10	11	12	13	14	15	16	17	18	19	20	21	22	23	24	25	26	27	28	29	30					
1	2																																																																																												
3	4																																																																																												
5	6																																																																																												
1	2	3	4																																																																																										
5	6	7	8																																																																																										
1	2	3	4																																																																																										
5	6	7	8																																																																																										
9	10	11	12																																																																																										
1	2	3	4	5	6	7																																																																																							
8	9	10	11	12	13	14																																																																																							
15	16	17	18	19	20	21																																																																																							
22	23	24	25	26	27	28																																																																																							
1	2	3	4	5	6	7																																																																																							
8	9	10	11	12	13	14																																																																																							
15	16	17	18	19	20	21																																																																																							
22	23	24	25	26	27	28																																																																																							
29	30																																																																																												

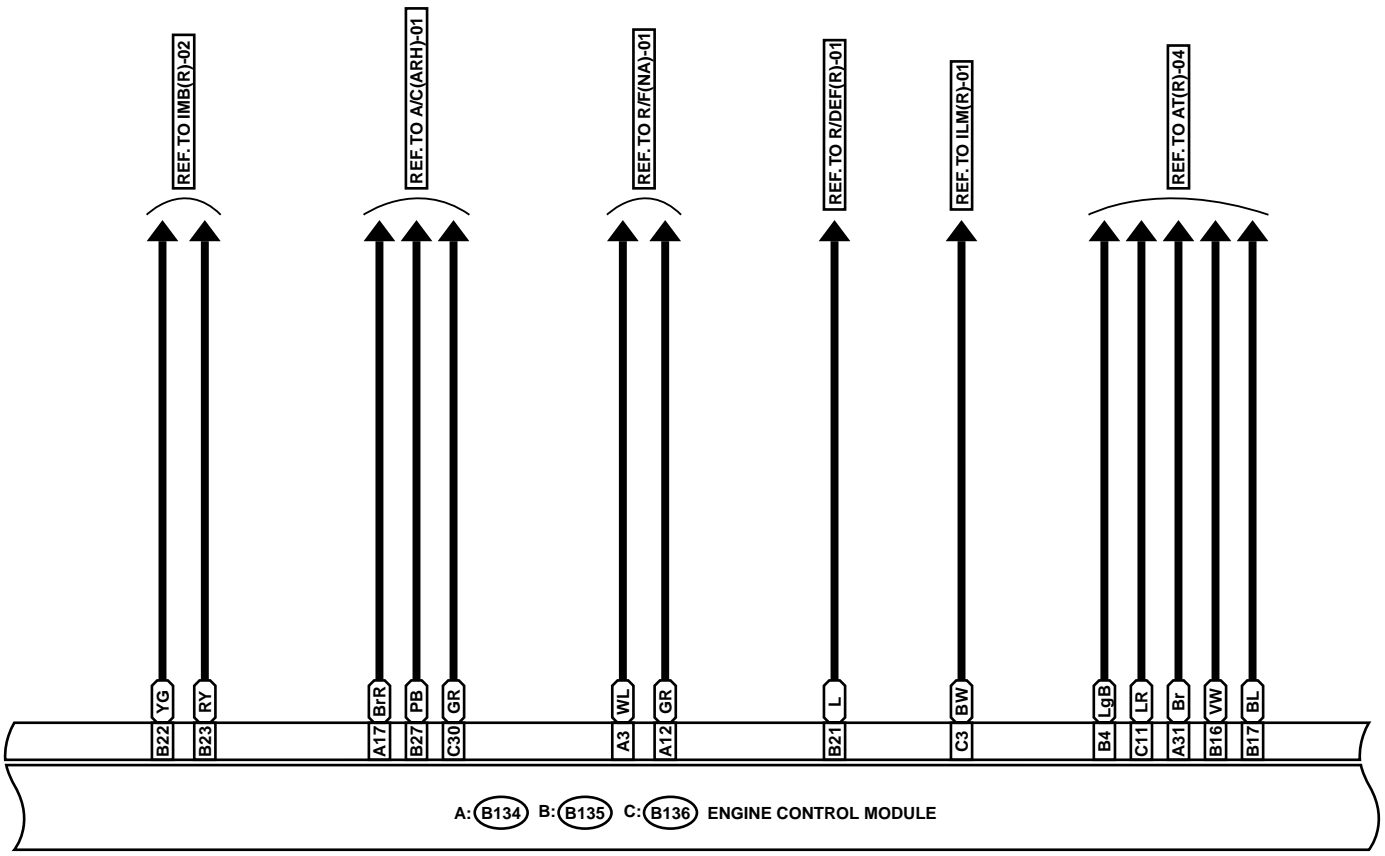
GR10-22C

ENGINE ELECTRICAL SYSTEM

WIRING SYSTEM

E/G(RWO)-04

E/G(RWO)-04



B: (B135)

1	2	3		4	5	6	7				
8	9	10	11	12	13	14	15	16	17	18	19
20	21	22	23	24	25	26	27	28			

C: (B136)

1	2	3		4	5	6	7					
8	9	10	11	12	13	14	15	16	17	18	19	20
21	22	23	24	25	26	27	28	29	30			

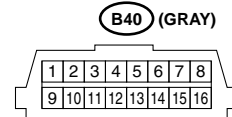
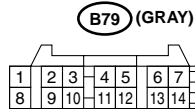
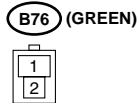
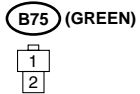
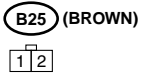
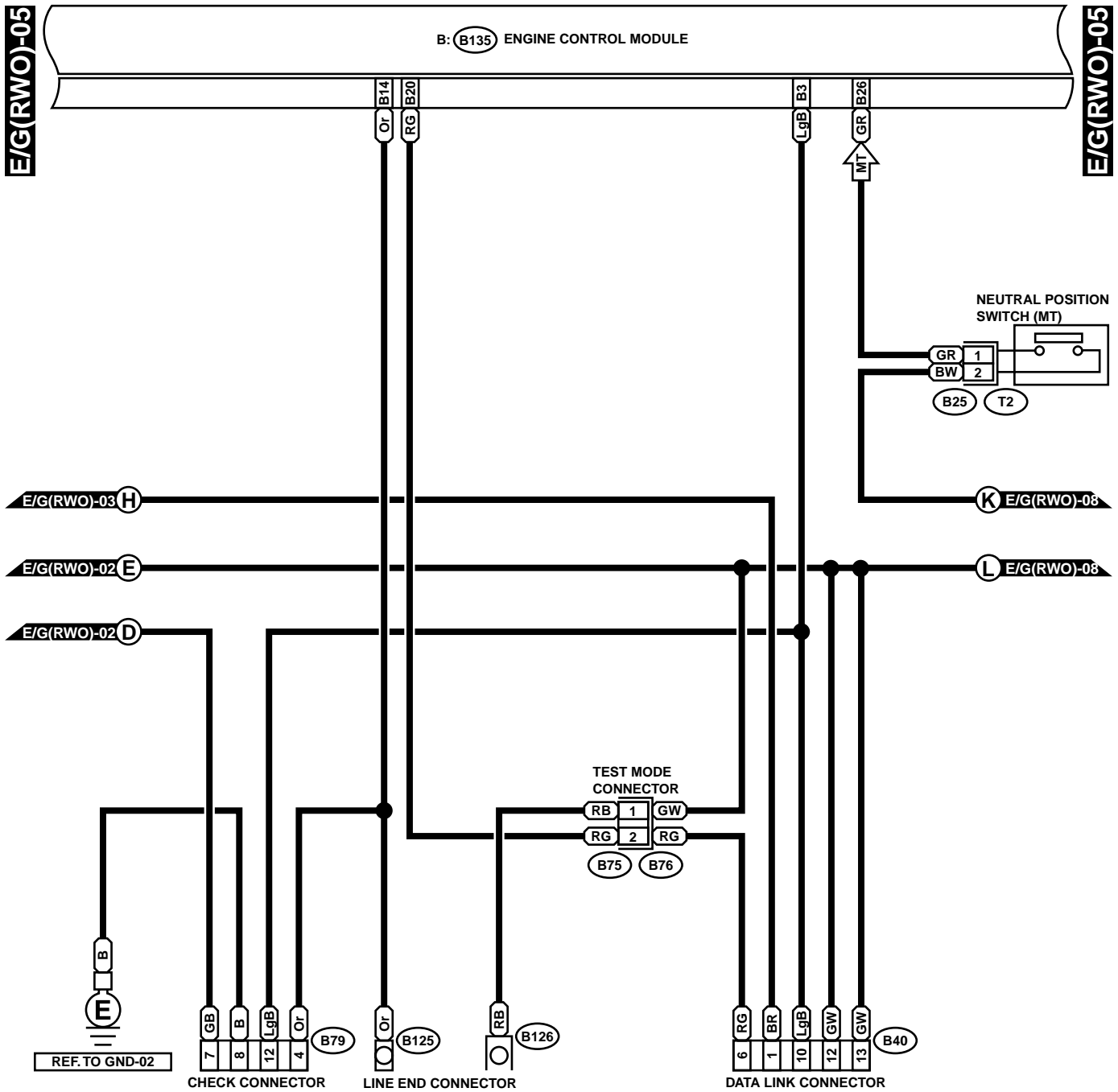
A: (B134)

1	2	3	4		5	6	7	8						
9	10	11	12	13	14	15	16	17	18	19	20	21	22	23
24	25	26	27	28	29	30	31	32	33	34	35			

GR10-22D

ENGINE ELECTRICAL SYSTEM

WIRING SYSTEM



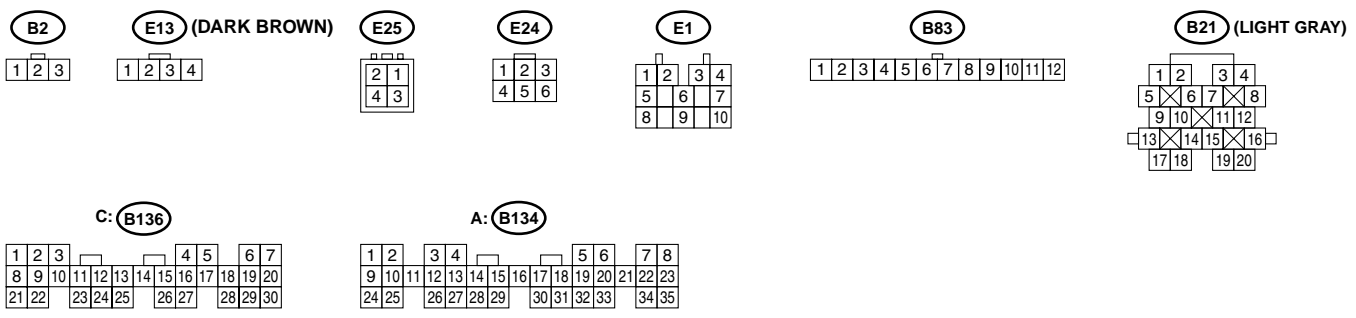
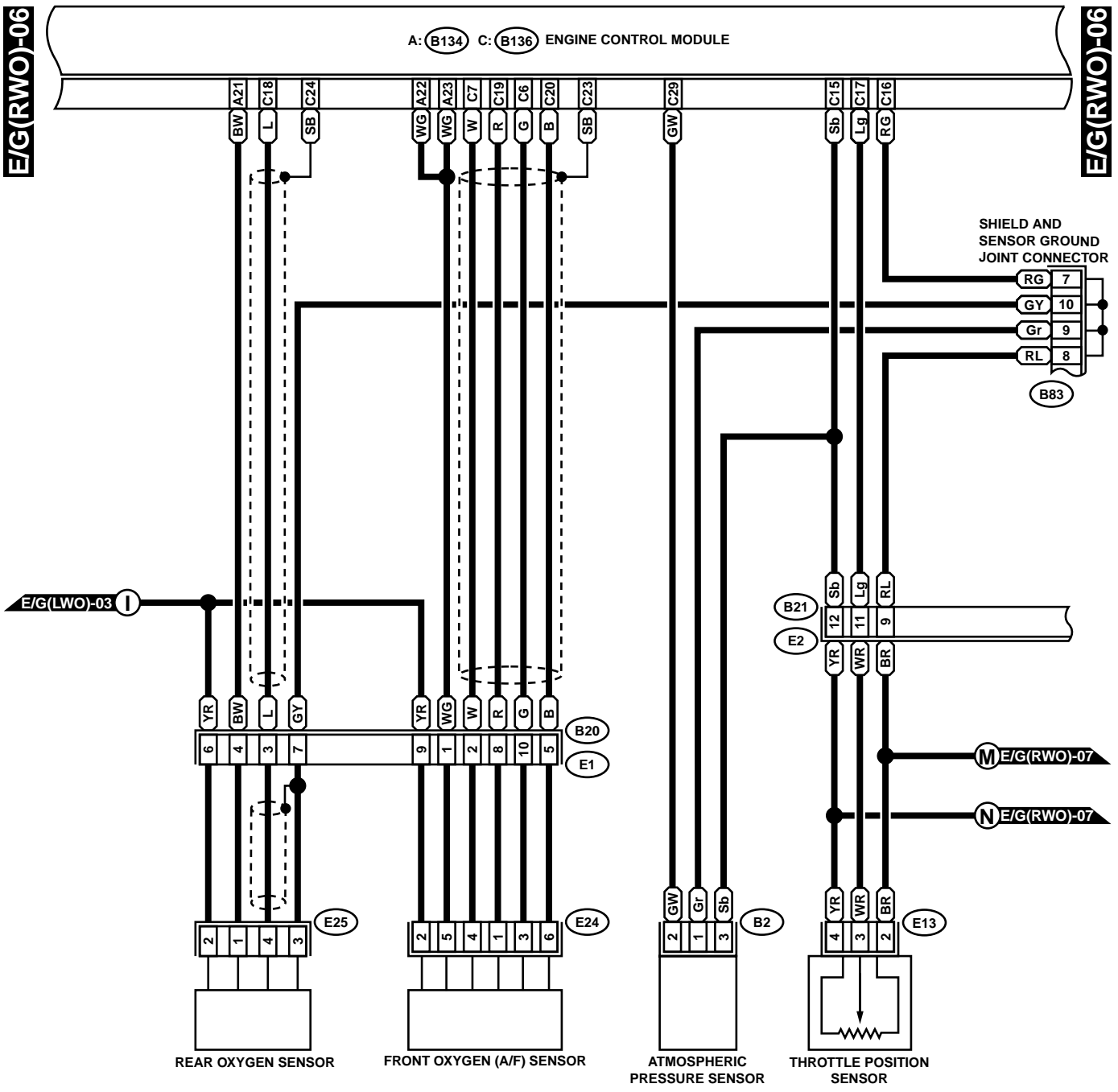
B: (B135)



GR10-22E

ENGINE ELECTRICAL SYSTEM

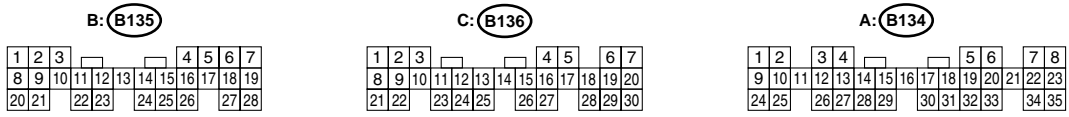
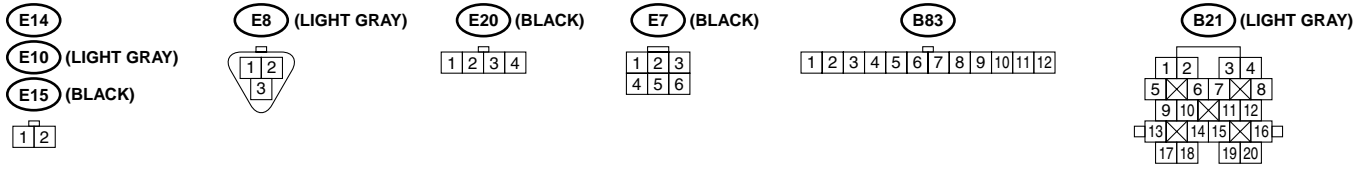
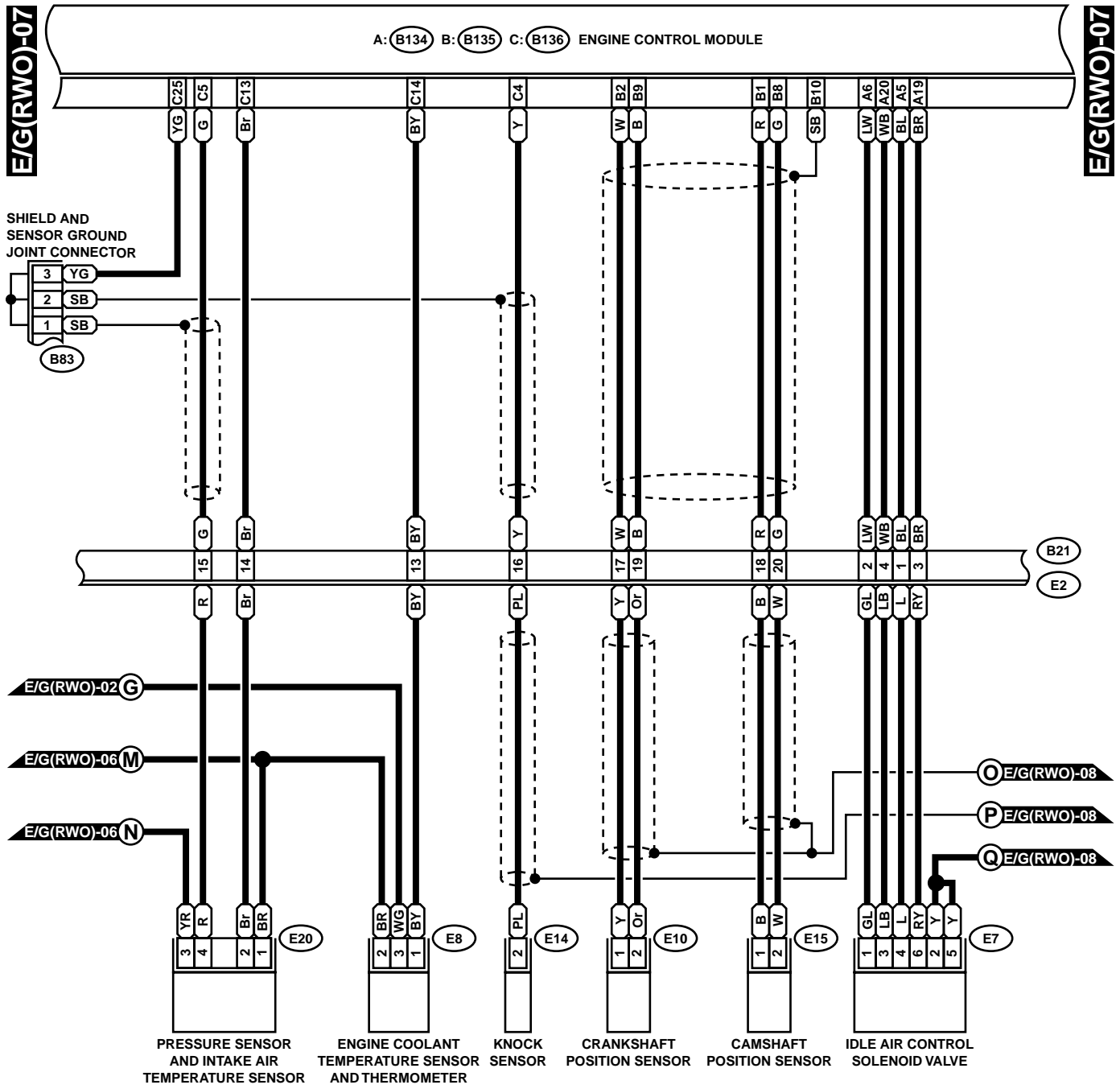
WIRING SYSTEM



GR10-22F

ENGINE ELECTRICAL SYSTEM

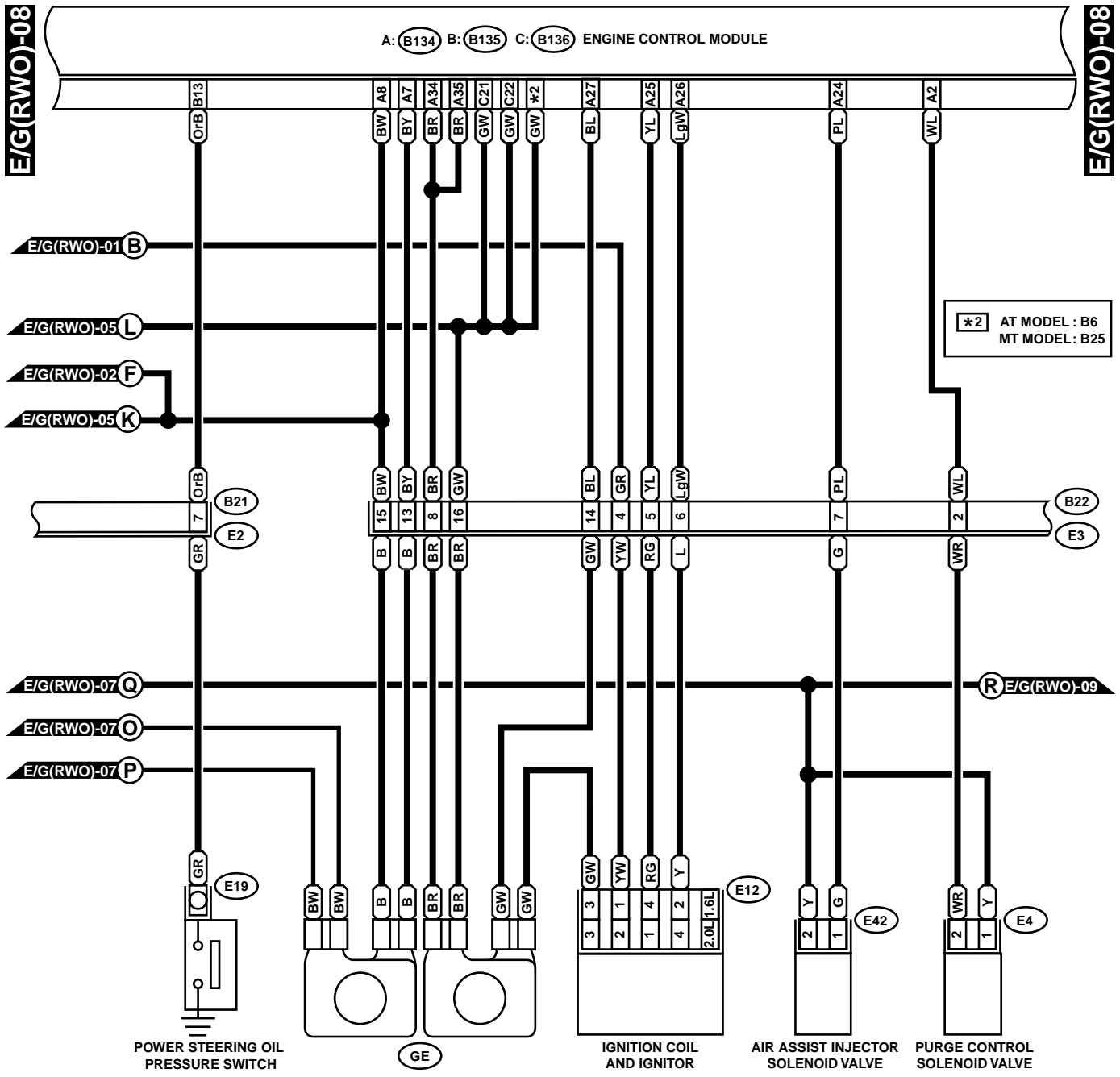
WIRING SYSTEM



GR10-22G

ENGINE ELECTRICAL SYSTEM

WIRING SYSTEM



E4 (BLACK)

E12 : (*3)

B22 (BROWN)

B21 (LIGHT GRAY)

B: (B135)

E42 (PURPLE)

1	2	3	4
---	---	---	---

1	2	3	4
5	6	7	8
9	10	11	12
13	14	15	16

1	2	3	4
5	6	7	8
9	10	11	12
13	14	15	16
17	18	19	20

1	2	3	4	5	6	7
8	9	10	11	12	13	14
15	16	17	18	19	20	21
22	23	24	25	26	27	28

C: (B136)

A: (B134)

1	2	3	4	5	6	7
8	9	10	11	12	13	14
15	16	17	18	19	20	21
22	23	24	25	26	27	28
29	30	31	32	33	34	35

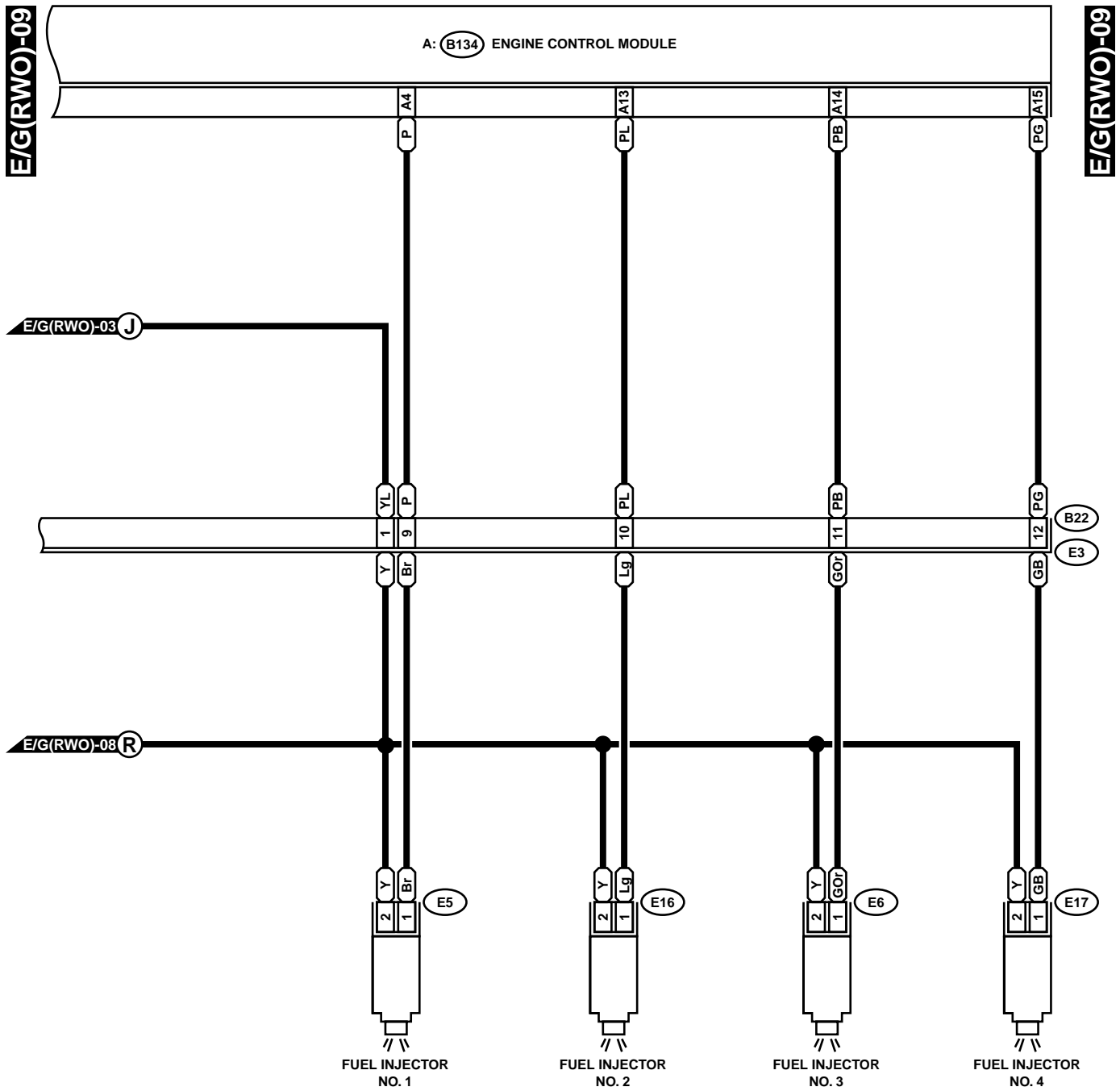
1	2	3	4	5	6	7	8
9	10	11	12	13	14	15	16
17	18	19	20	21	22	23	24
25	26	27	28	29	30	31	32
33	34	35	36	37	38	39	40

(*3) 1.6L: (GRAY)
2.0L: (DARK GRAY)

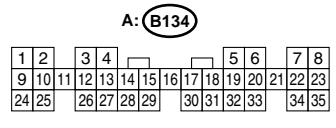
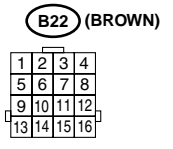
GR10-22H

ENGINE ELECTRICAL SYSTEM

WIRING SYSTEM



- E5** (LIGHT GRAY)
- E6** (LIGHT GRAY)
- E16** (LIGHT GRAY)
- E17** (LIGHT GRAY)

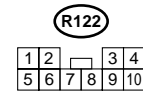
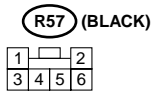
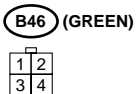
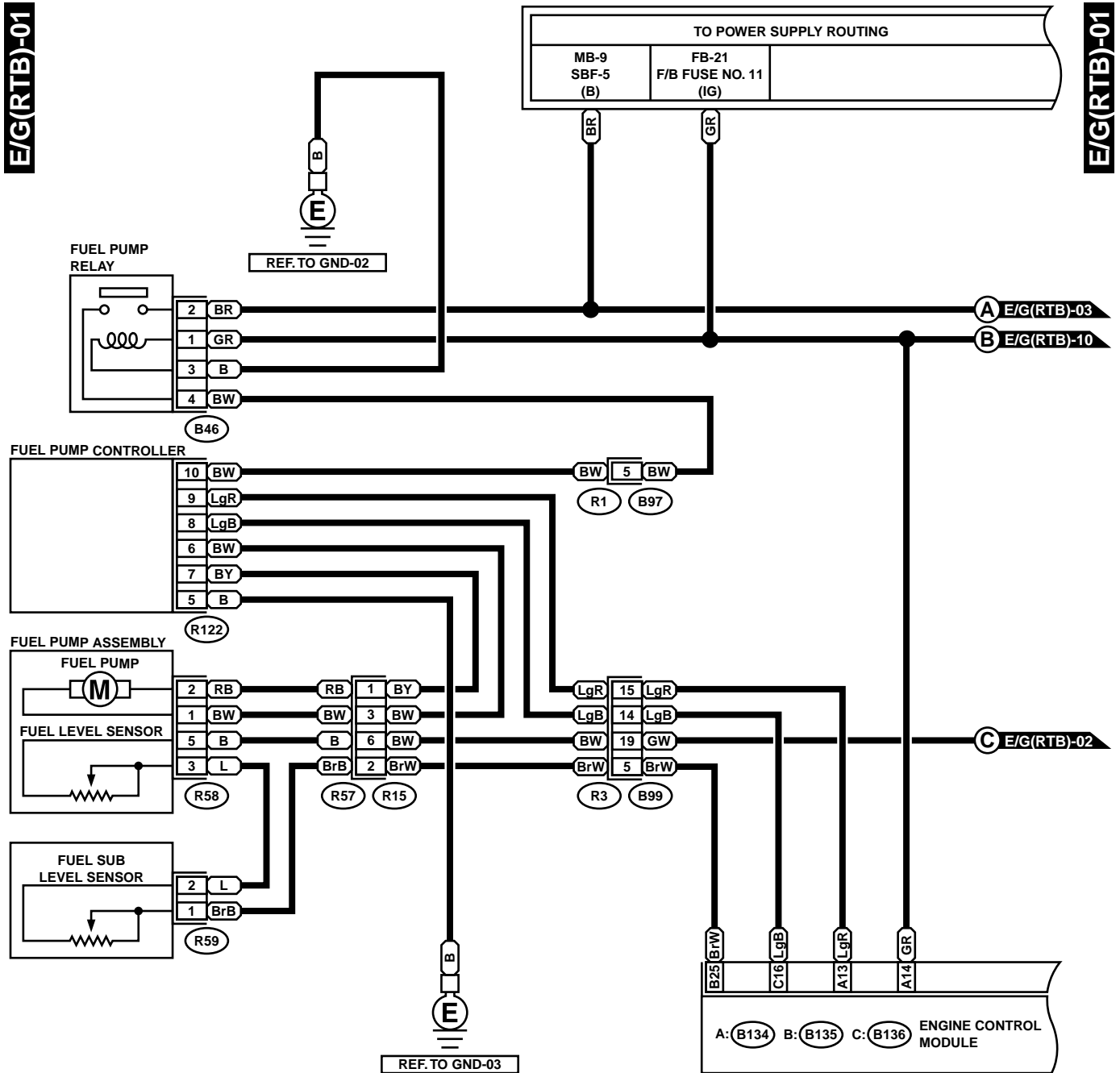


GR10-221

ENGINE ELECTRICAL SYSTEM

WIRING SYSTEM

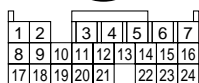
6. RHD DOHC TURBO MODEL



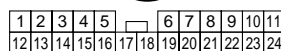
A: B134



C: B136



B99



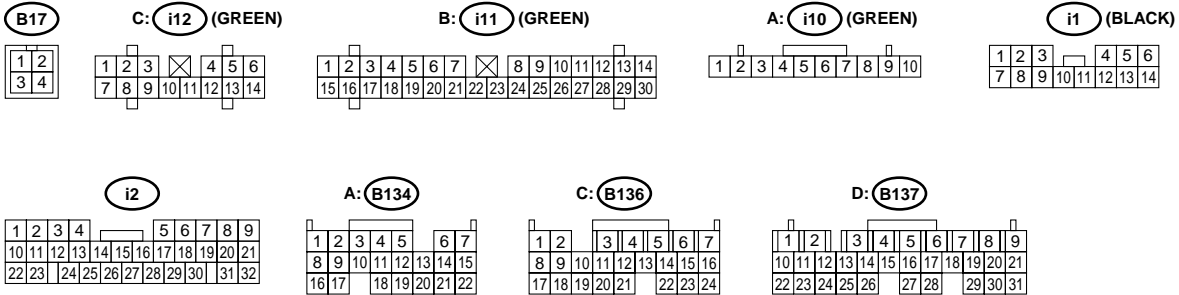
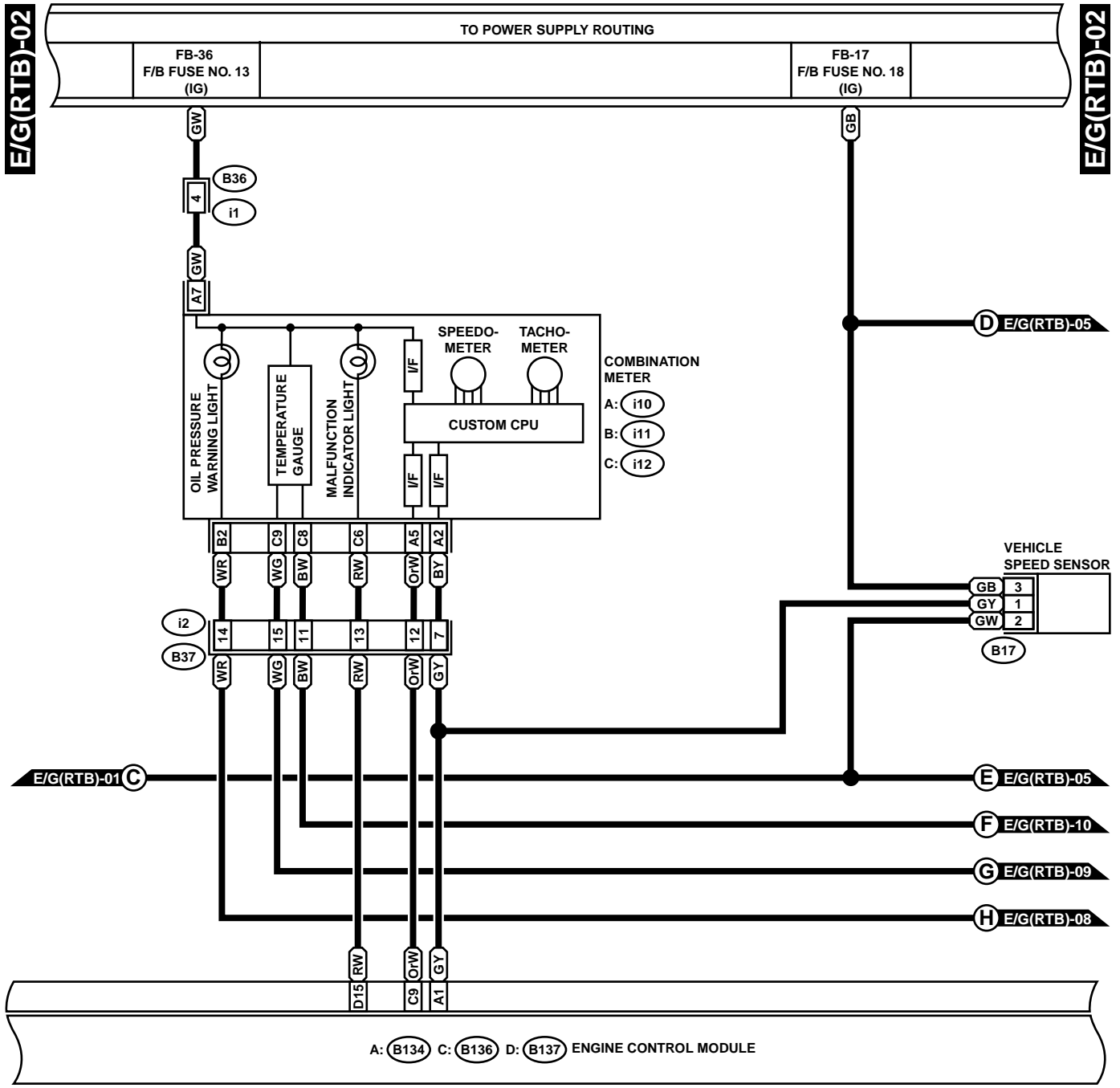
B: B135



GR10-21A

ENGINE ELECTRICAL SYSTEM

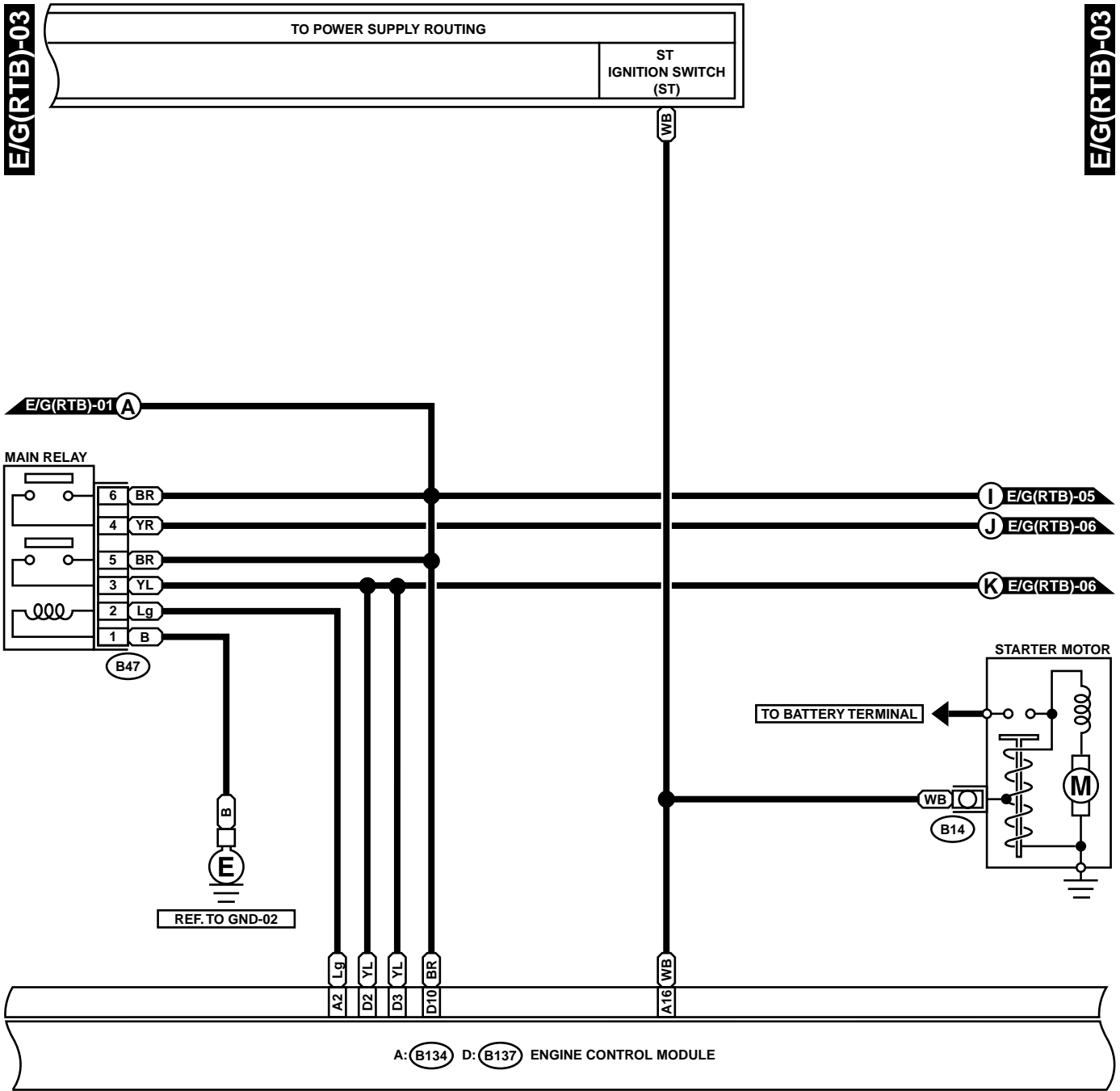
WIRING SYSTEM



GR10-21B

ENGINE ELECTRICAL SYSTEM

WIRING SYSTEM



B47 (BROWN)

1	2
3	4
5	6

A: B134

1	2	3	4	5	6	7	
8	9	10	11	12	13	14	15
16	17	18	19	20	21	22	

D: B137

1	2	3	4	5	6	7	8	9			
10	11	12	13	14	15	16	17	18	19	20	21
22	23	24	25	26	27	28	29	30	31		

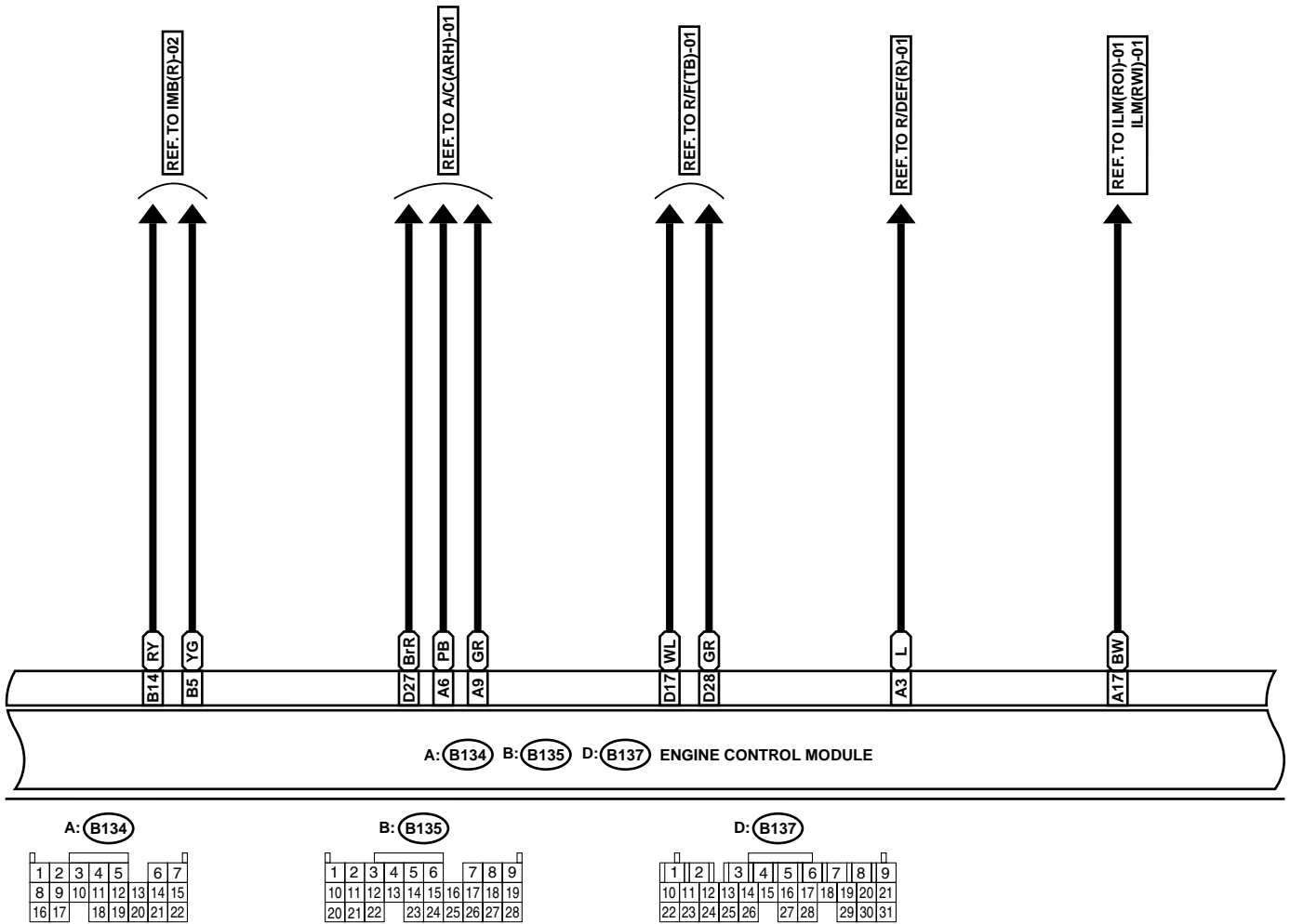
GR10-21C

ENGINE ELECTRICAL SYSTEM

WIRING SYSTEM

E/G(RTB)-04

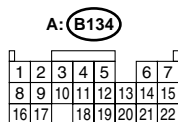
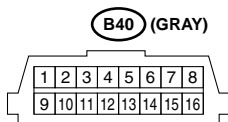
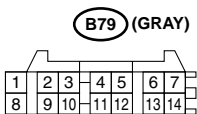
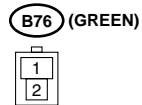
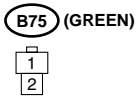
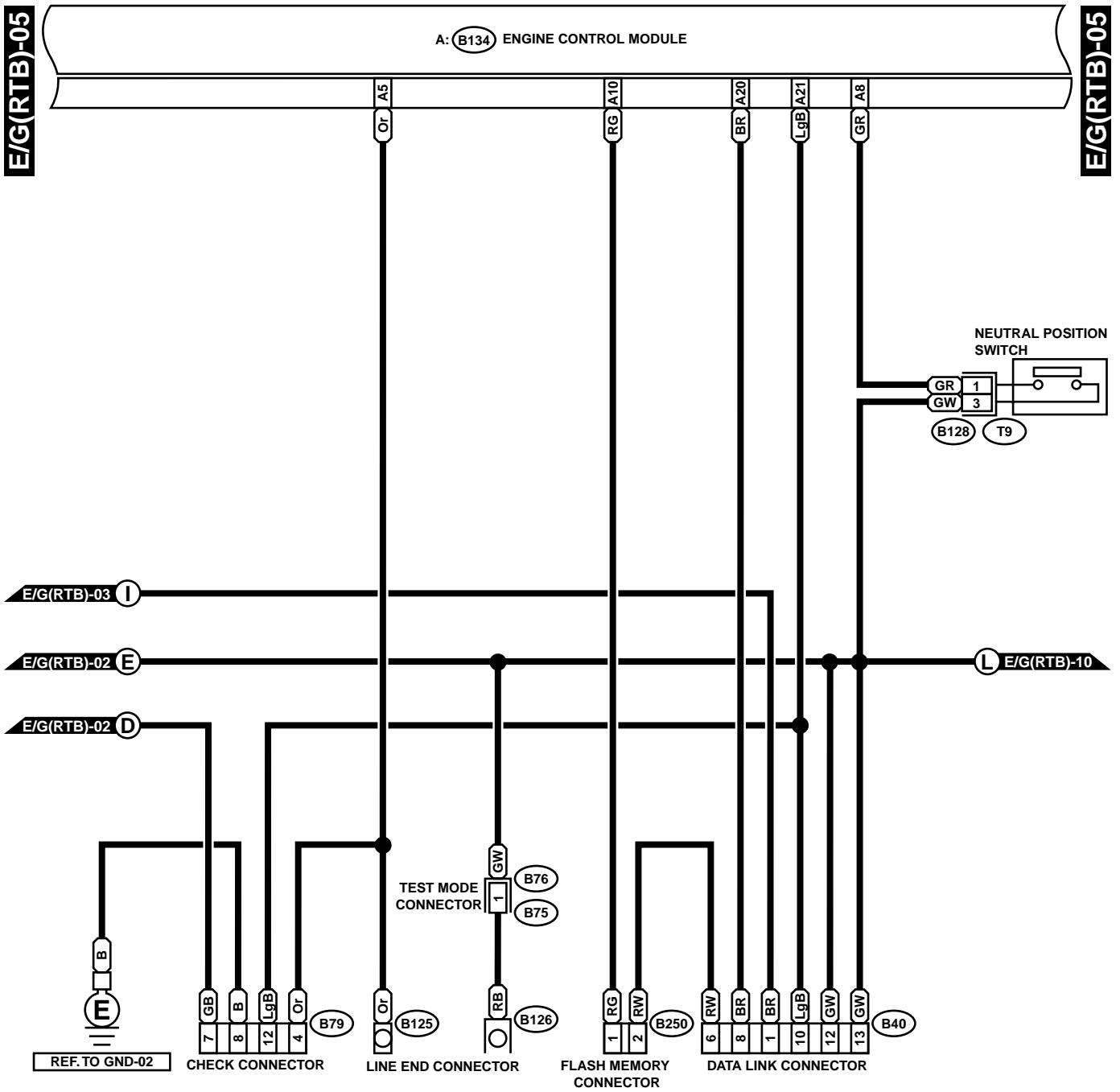
E/G(RTB)-04



GR10-21D

ENGINE ELECTRICAL SYSTEM

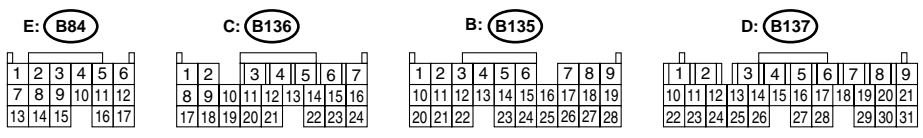
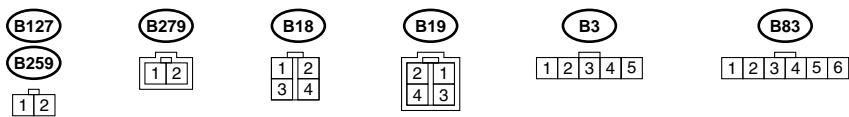
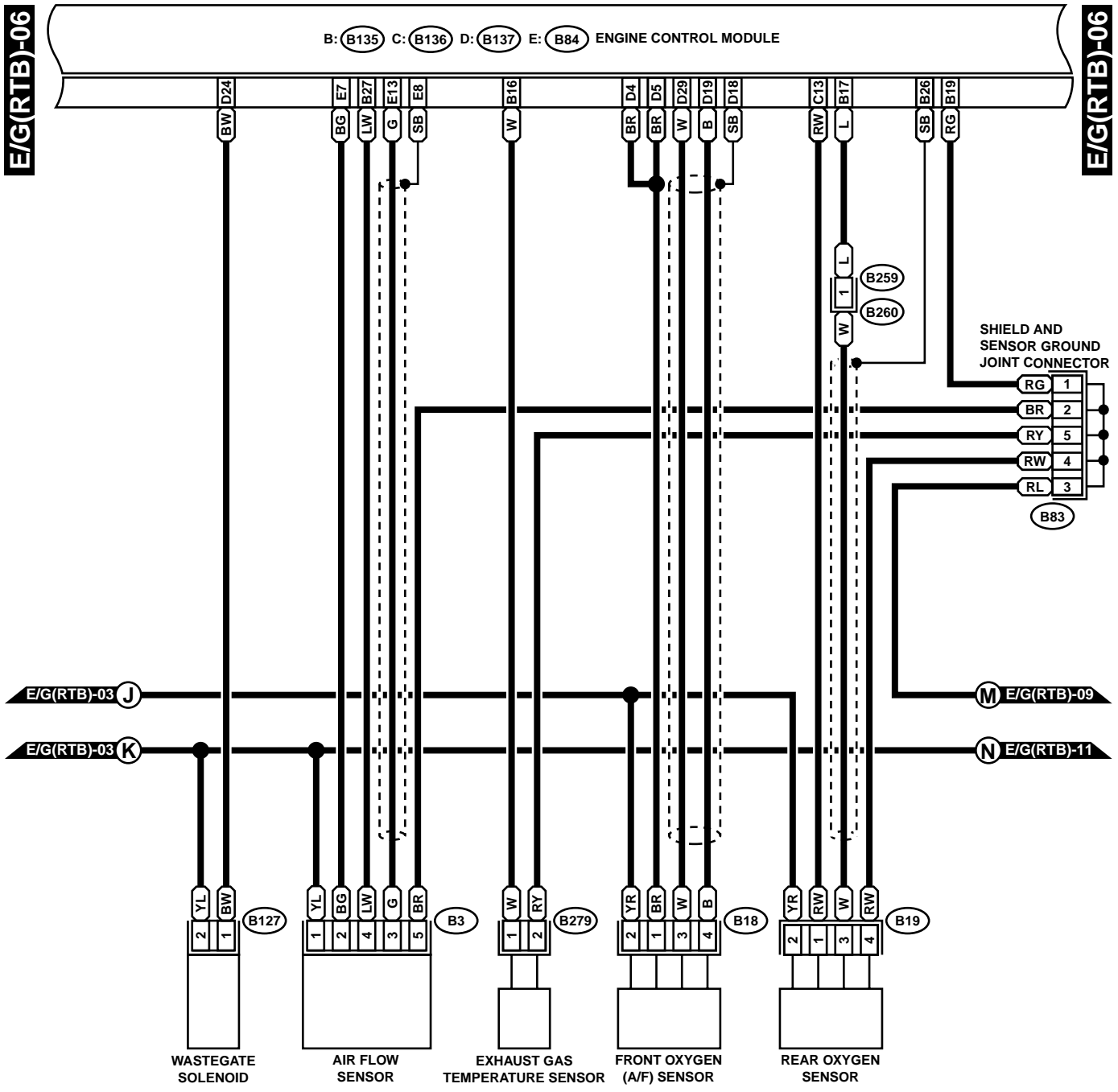
WIRING SYSTEM



GR10-21E

ENGINE ELECTRICAL SYSTEM

WIRING SYSTEM



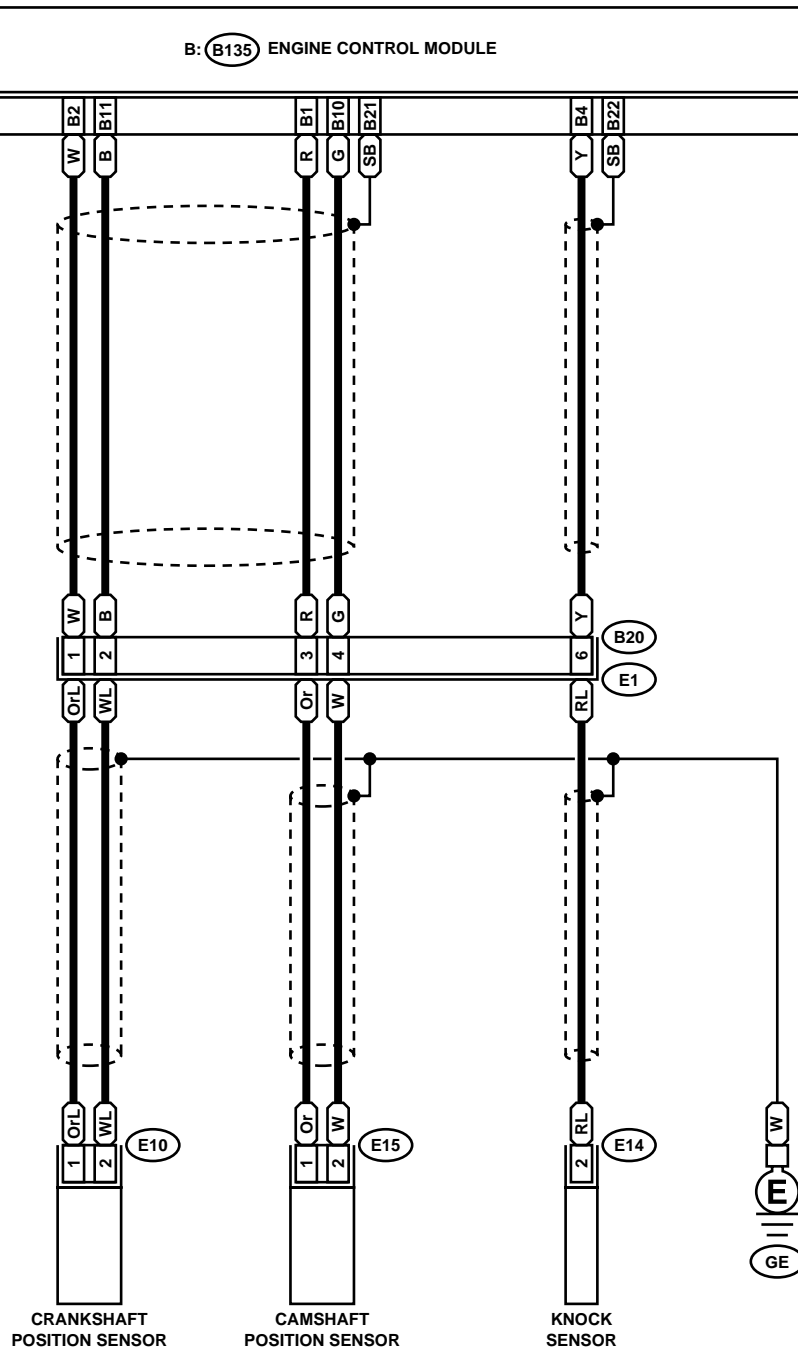
GR10-21F

ENGINE ELECTRICAL SYSTEM

WIRING SYSTEM

E/G(RTB)-07

E/G(RTB)-07



(E10) (LIGHT GRAY)

(B20) (LIGHT GRAY)

B: (B135)

(E14) (GRAY)

1	2	3	4
5	6	7	
8	9	10	

1	2	3	4	5	6	7	8	9	
10	11	12	13	14	15	16	17	18	19
20	21	22	23	24	25	26	27	28	

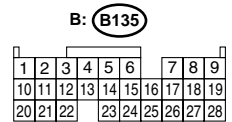
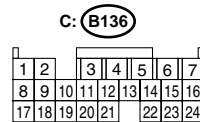
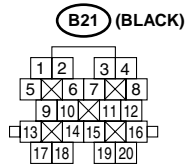
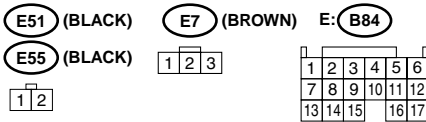
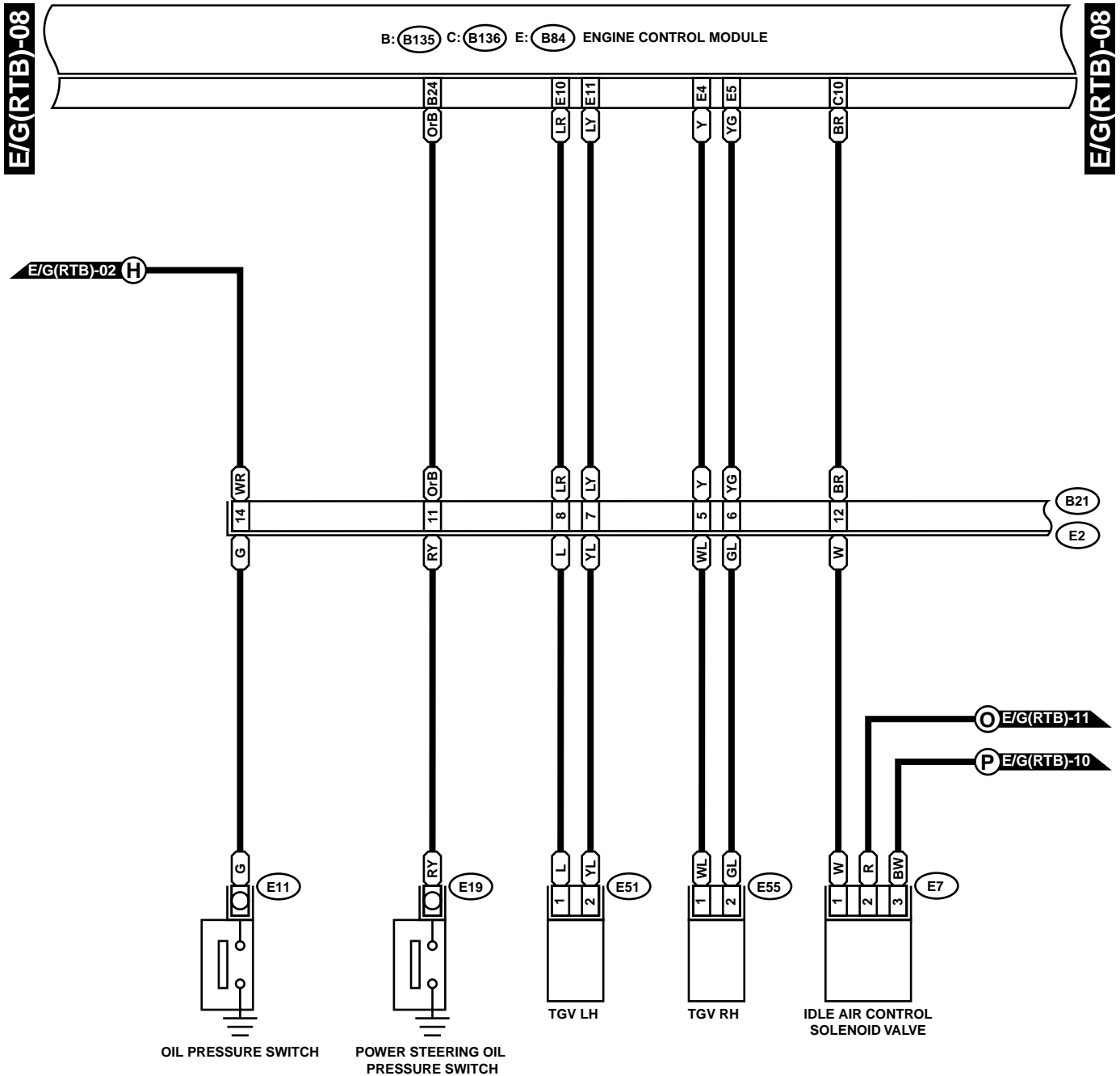
(E15) (LIGHT GRAY)

1	2
---	---

GR10-21G

ENGINE ELECTRICAL SYSTEM

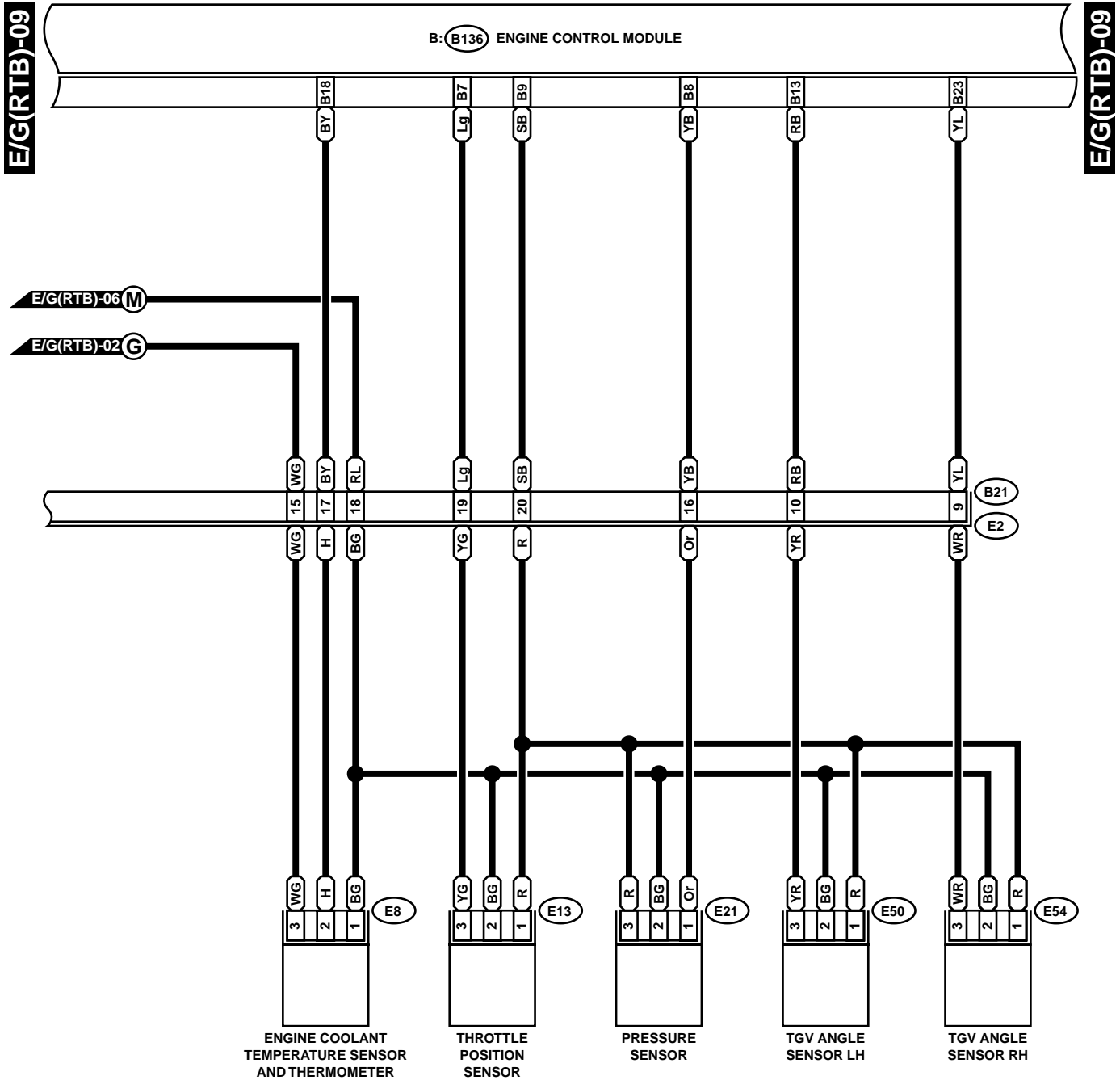
WIRING SYSTEM



GR10-21H

ENGINE ELECTRICAL SYSTEM

WIRING SYSTEM



E8 (LIGHT GRAY)



E13 (BLACK)

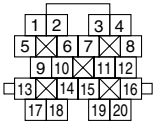
E21 (BLACK)

E50 (BLACK)

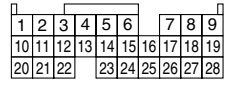
E54 (BLACK)



B21 (BLACK)



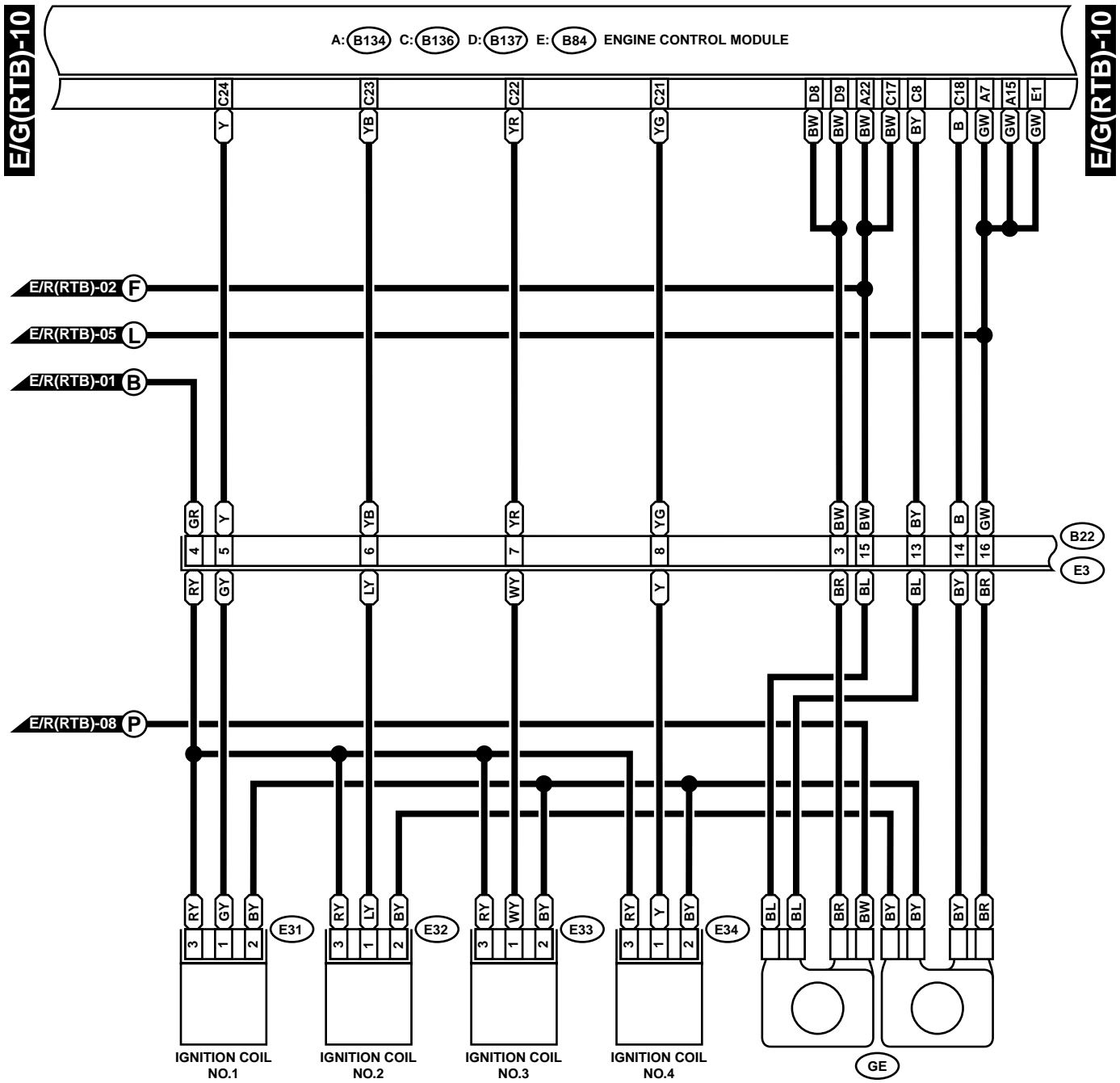
B: B135



GR10-211

ENGINE ELECTRICAL SYSTEM

WIRING SYSTEM



E31

B22 (BROWN)

E: (B84)

A: (B134)

C: (B136)

D: (B137)

E32

1	2	3	4
5	6	7	8
9	10	11	12
13	14	15	16

1	2	3	4	5	6
7	8	9	10	11	12
13	14	15	16	17	

1	2	3	4	5	6	7
8	9	10	11	12	13	14
15	16	17	18	19	20	21
22	23	24				

1	2	3	4	5	6	7
8	9	10	11	12	13	14
15	16	17	18	19	20	21
22	23	24				

1	2	3	4	5	6	7	8	9
10	11	12	13	14	15	16	17	18
19	20	21	22	23	24	25	26	27
28	29	30	31					

E33 (BLACK)

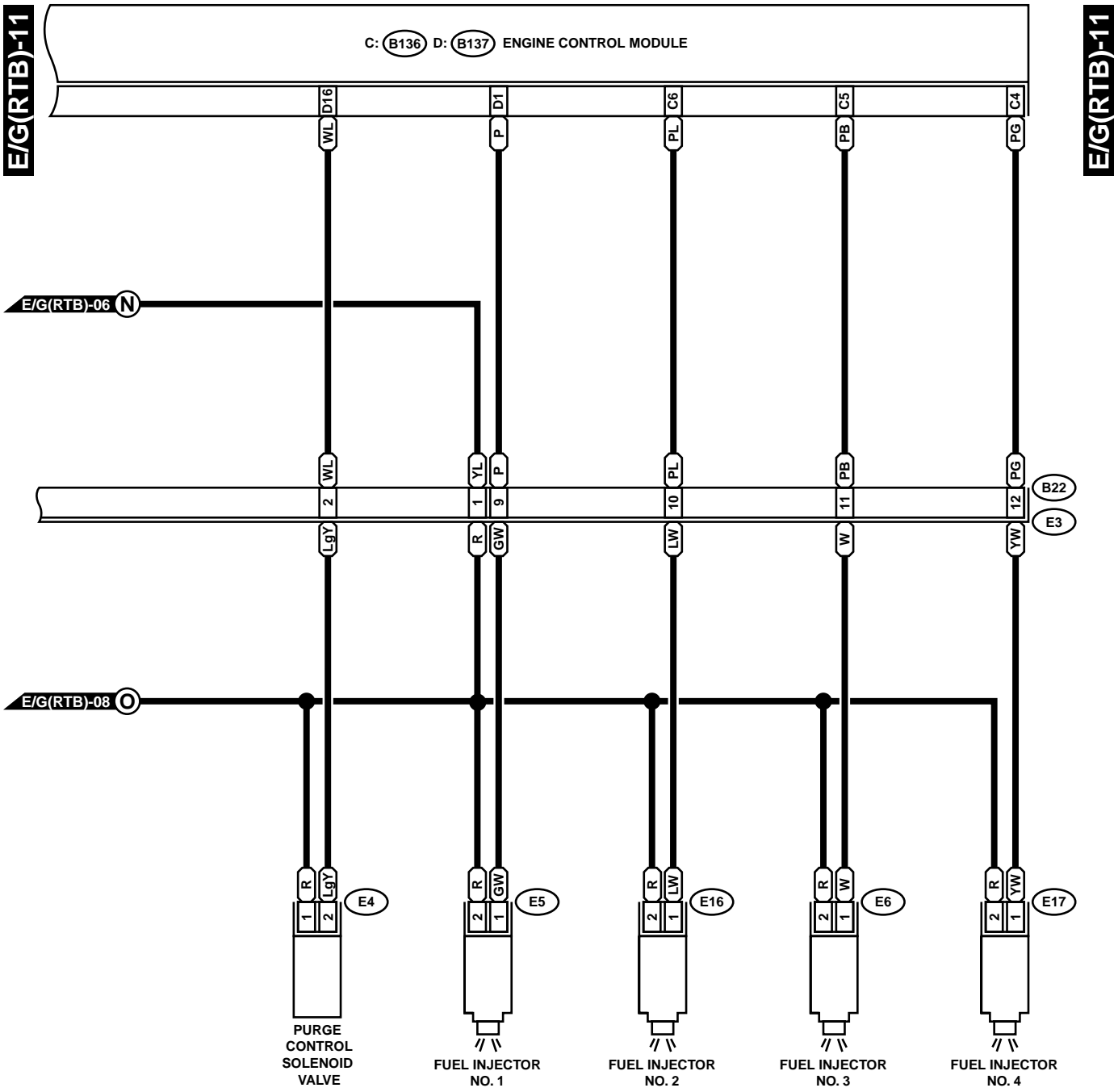
E34 (BLACK)

1
2
3

GR10-21J

ENGINE ELECTRICAL SYSTEM

WIRING SYSTEM



- E5 (DARK GRAY)
- E6 (DARK GRAY)
- E16 (DARK GRAY)
- E17 (DARK GRAY)

- E4 (BLACK)

B22 (BROWN)

1	2	3	4
5	6	7	8
9	10	11	12
13	14	15	16

C: B136

1	2	3	4	5	6	7
8	9	10	11	12	13	14
15	16	17	18	19	20	21
22	23	24				

D: B137

1	2	3	4	5	6	7	8	9
10	11	12	13	14	15	16	17	18
19	20	21	22	23	24	25	26	27
28	29	30	31					

1	2
---	---

GR10-21K

17. Fuel Gauge System

A: SCHEMATIC

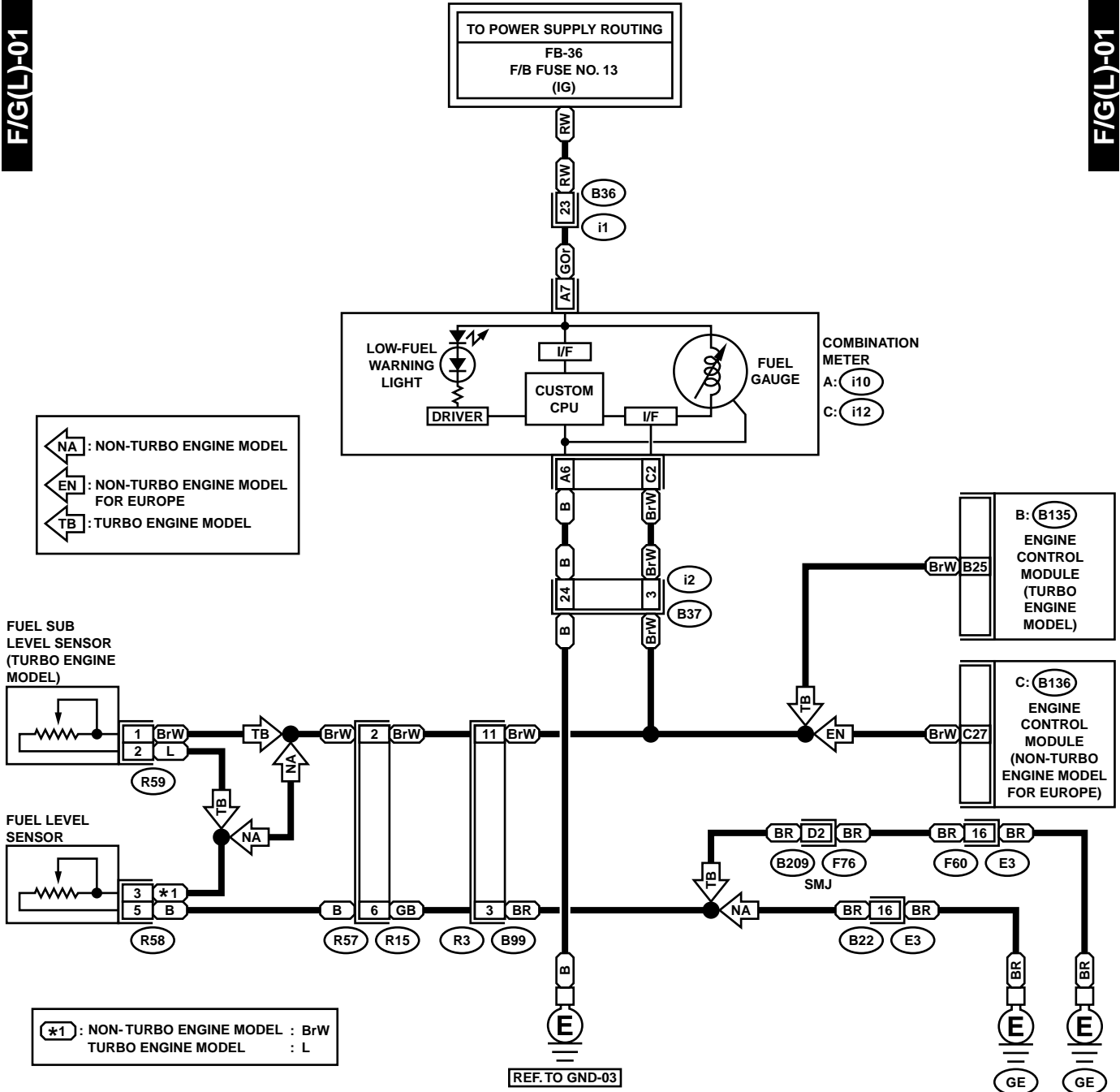
FUEL GAUGE SYSTEM

WIRING SYSTEM

1. LHD MODEL

F/G(L)-01

F/G(L)-01



R59



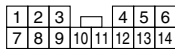
R15 (BLACK)



R58



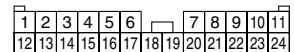
C: i12 (GREEN)



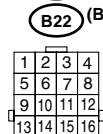
i2



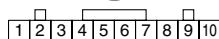
B36 (BLACK)



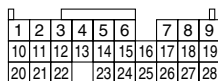
F60 (BROWN)



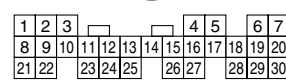
A: i10 (GREEN)



B: B135



C: B136



GL61-20

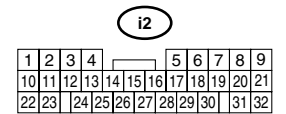
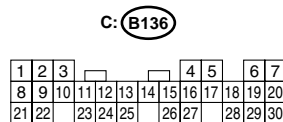
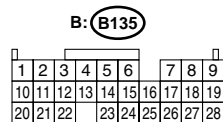
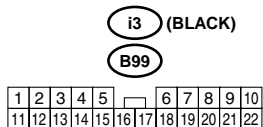
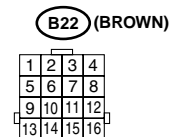
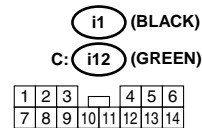
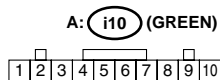
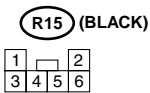
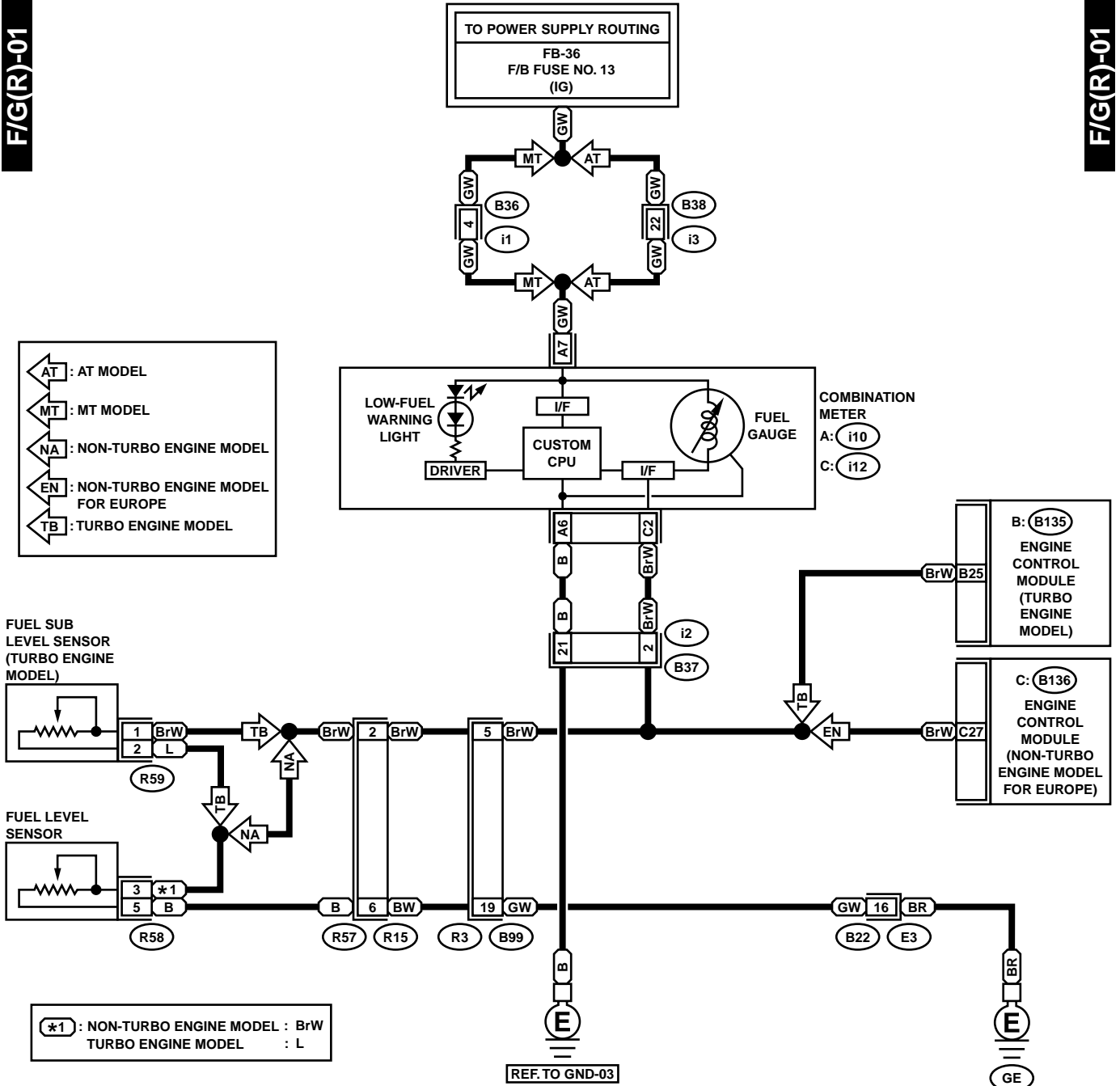
FUEL GAUGE SYSTEM

WIRING SYSTEM

2. RHD MODEL

F/G(R)-01

F/G(R)-01



GR61-20

18.Full-Time Dual-Range System

A: SCHEMATIC

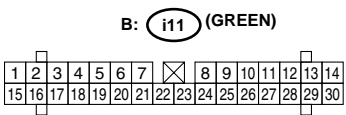
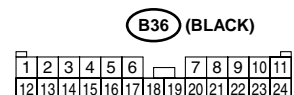
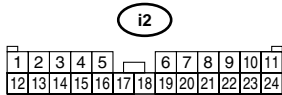
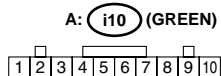
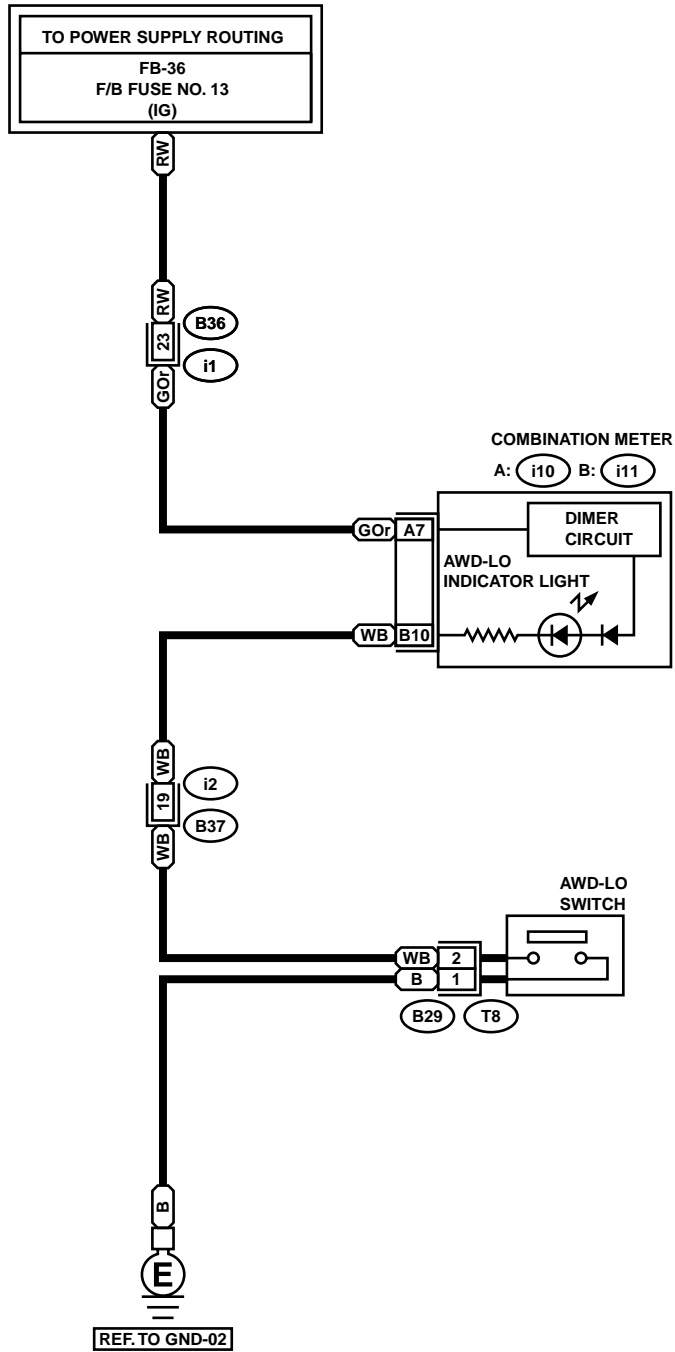
FULL-TIME DUAL-RANGE SYSTEM

WIRING SYSTEM

1. LHD MODEL

D/R(L)-01

D/R(L)-01

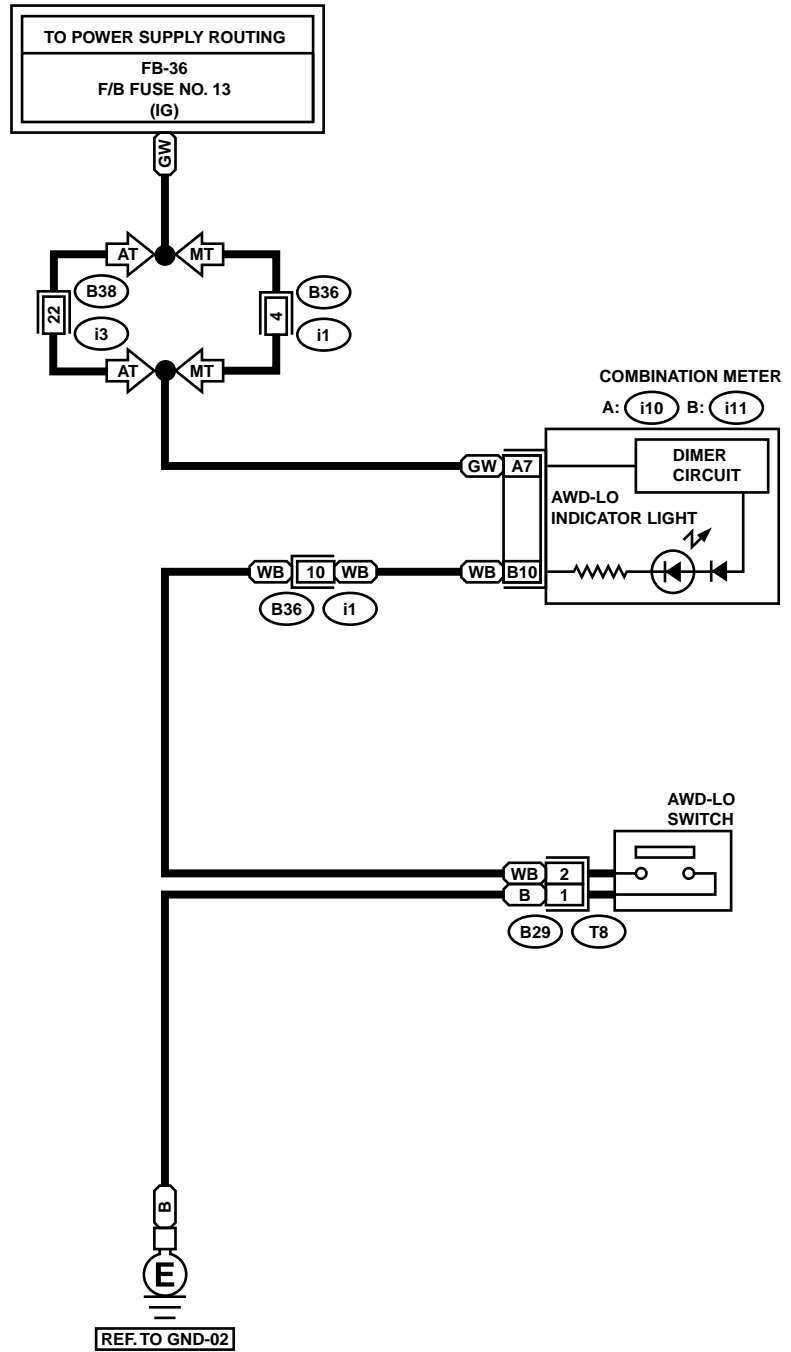


GL38-20

2. RHD MODEL

D/R(R)-01

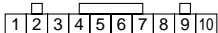
D/R(R)-01



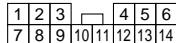
B29



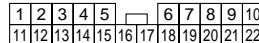
A: i10 (GREEN)



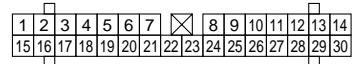
i1 (BLACK)



i3 (BLACK)



B: i11 (GREEN)



FRONT ACCESSORY POWER SUPPLY SYSTEM

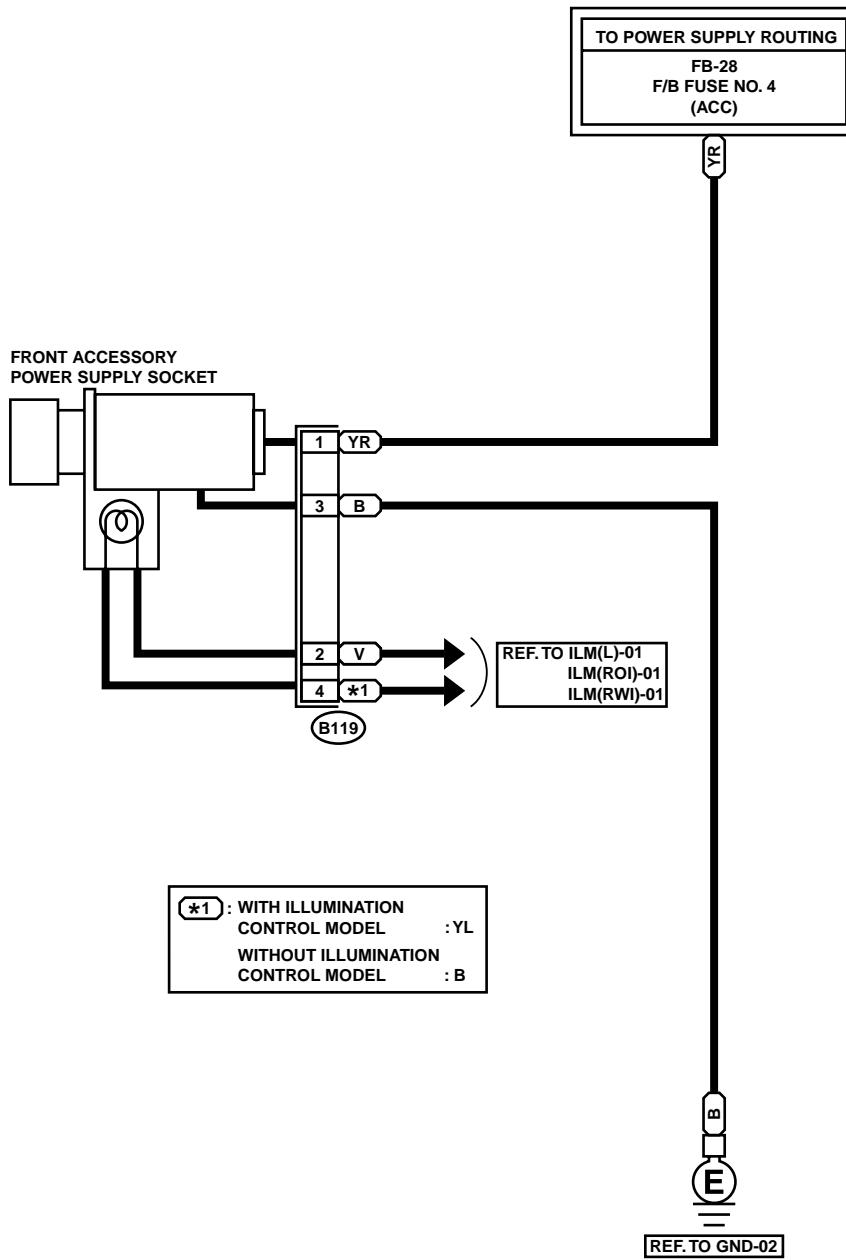
WIRING SYSTEM

19. Front Accessory Power Supply System

A: SCHEMATIC

FAPS-01

FAPS-01



B119

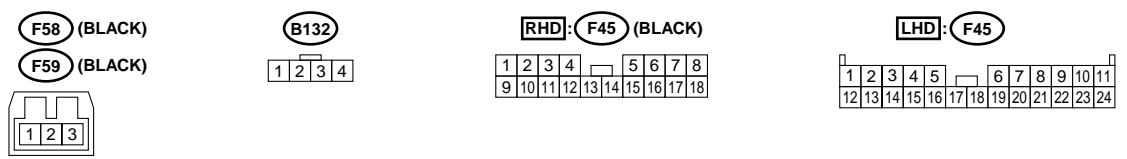
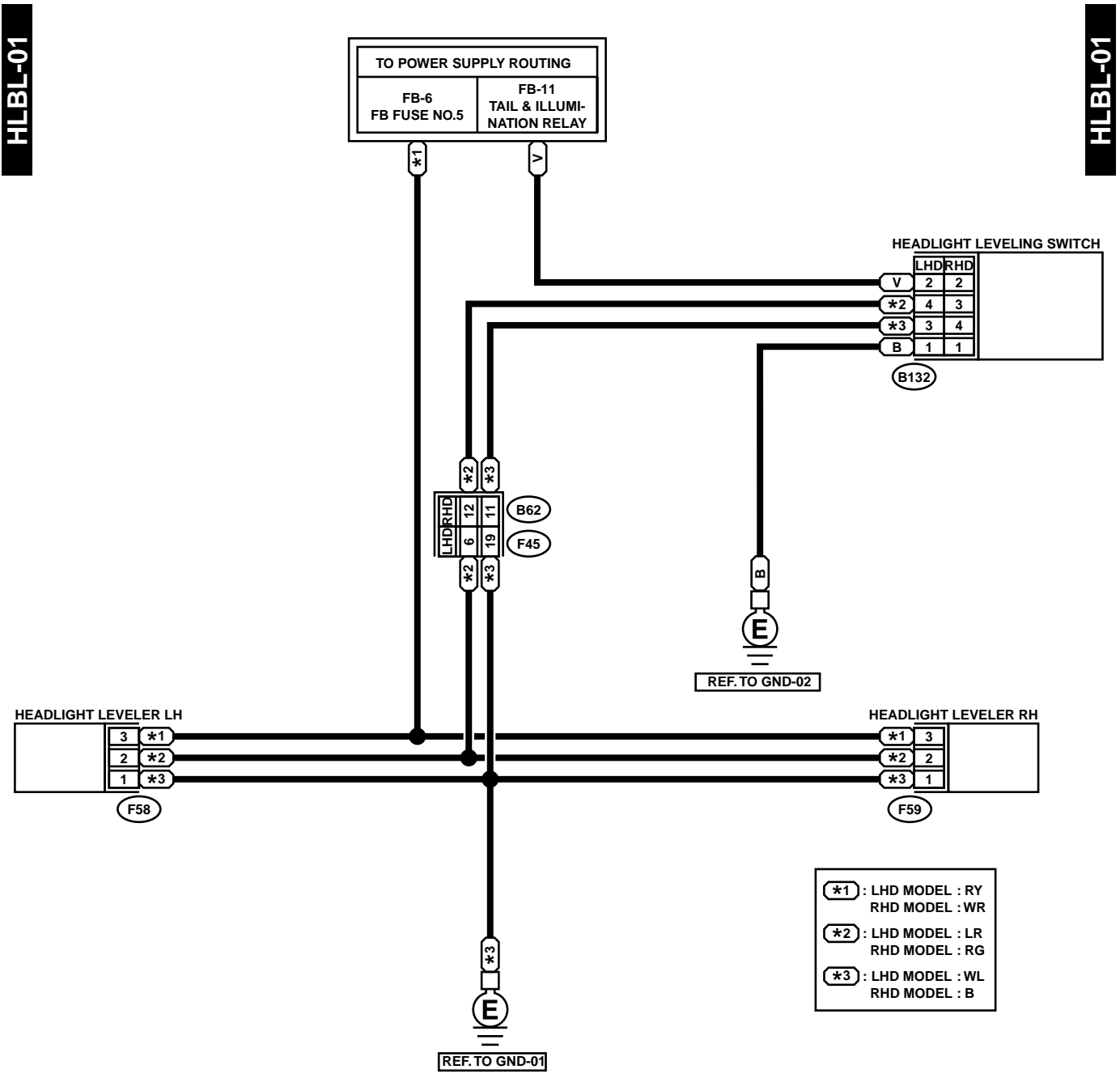


HEADLIGHT BEAM LEVELER SYSTEM

WIRING SYSTEM

20.Headlight Beam Leveler System

A: SCHEMATIC



HORN SYSTEM

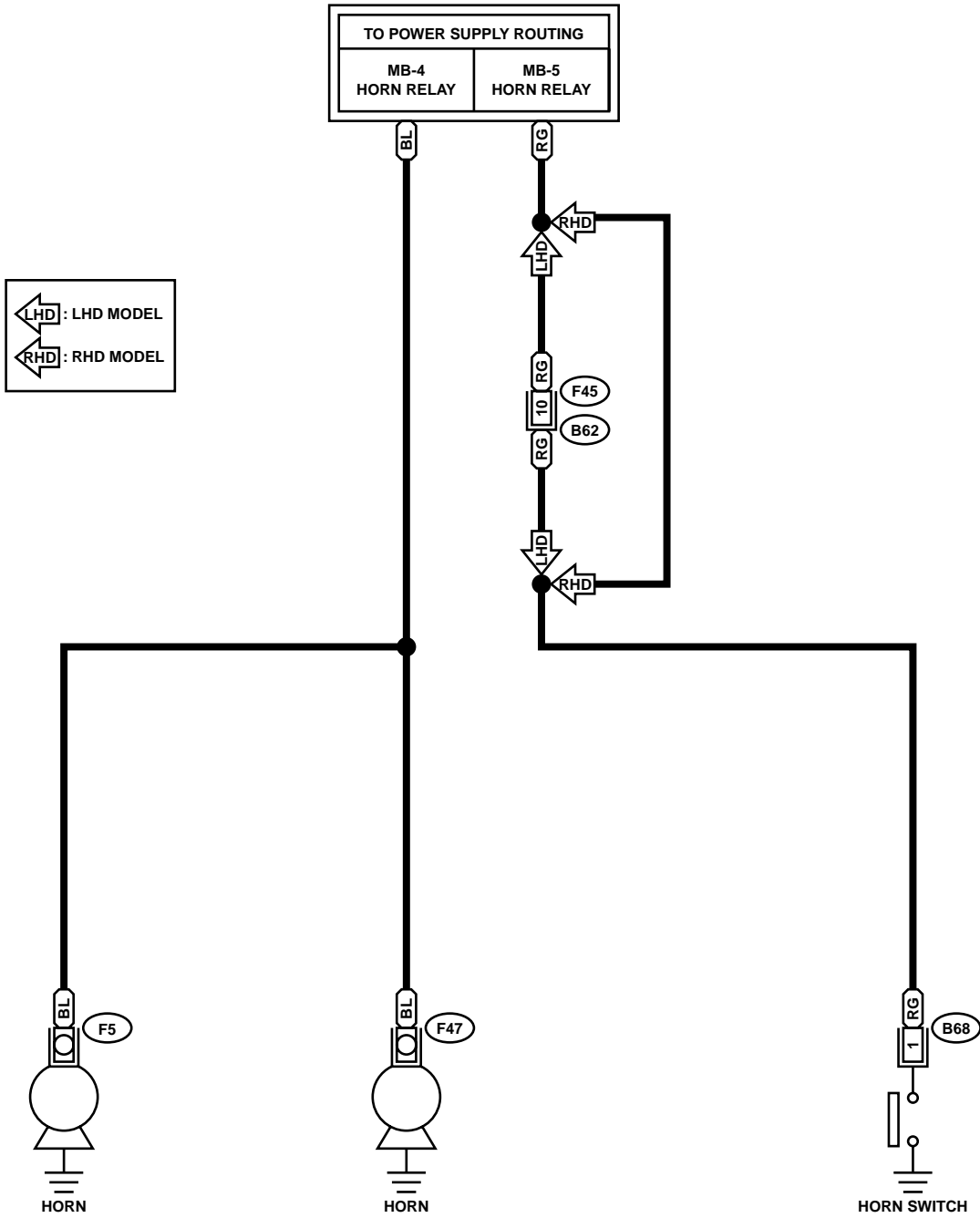
WIRING SYSTEM

21.Horn System

A: SCHEMATIC

HORN-01

HORN-01



(B68) (BLACK)

1	2
3	4

(F45)

1	2	3	4	5	6	7	8	9	10	11		
12	13	14	15	16	17	18	19	20	21	22	23	24

22. Immobilizer System

A: SCHEMATIC

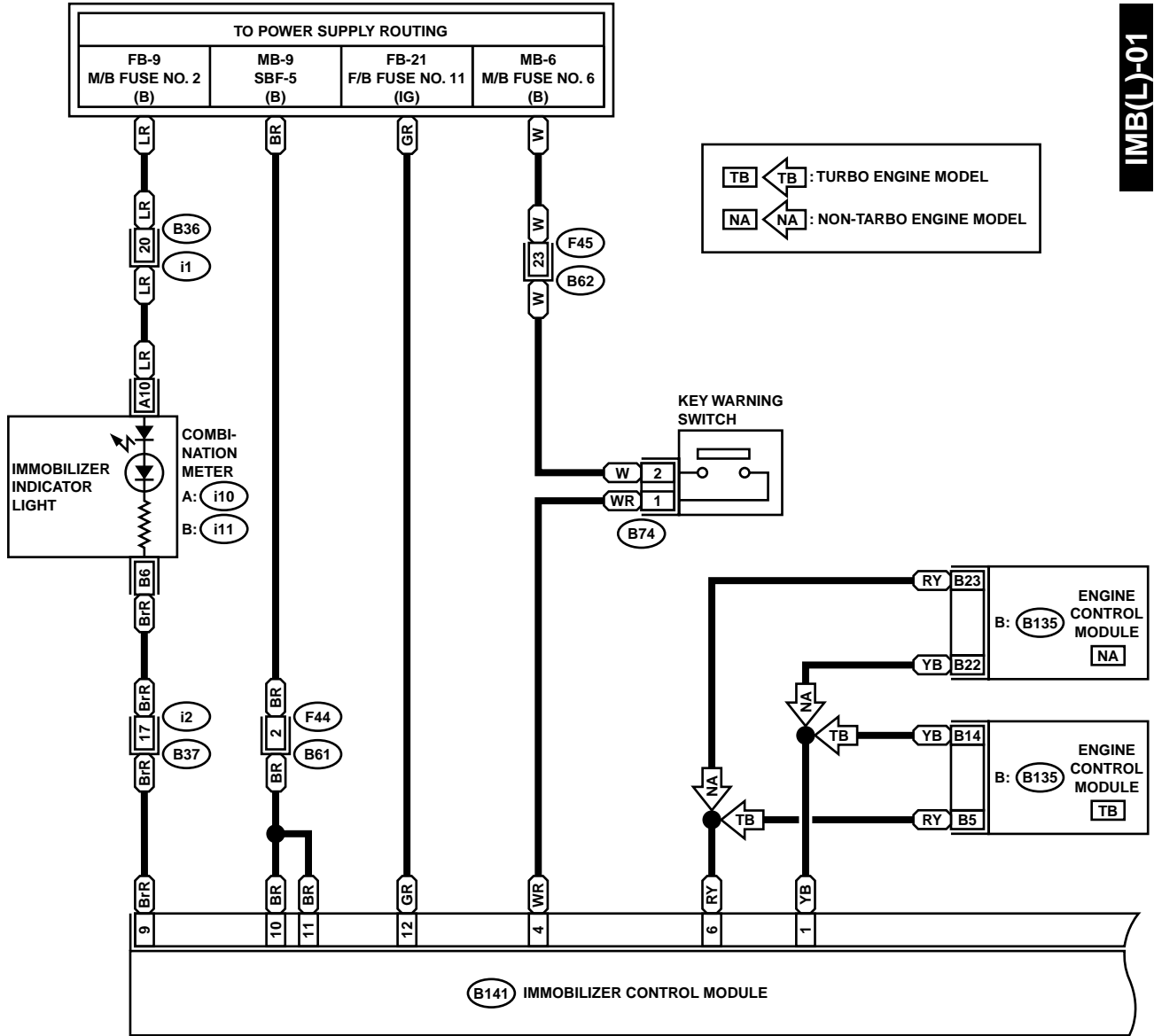
IMMOBILIZER SYSTEM

WIRING SYSTEM

1. LHD MODEL

IMB(L)-01

IMB(L)-01



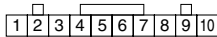
B74 (BLACK)



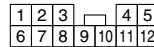
F44



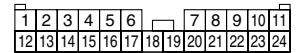
A: i10 (GREEN)



B141

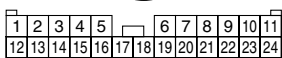


B36 (BLACK)

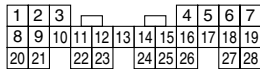


F45

i2



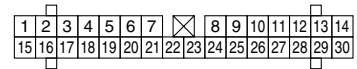
B: B135: NT



B: B135: TB

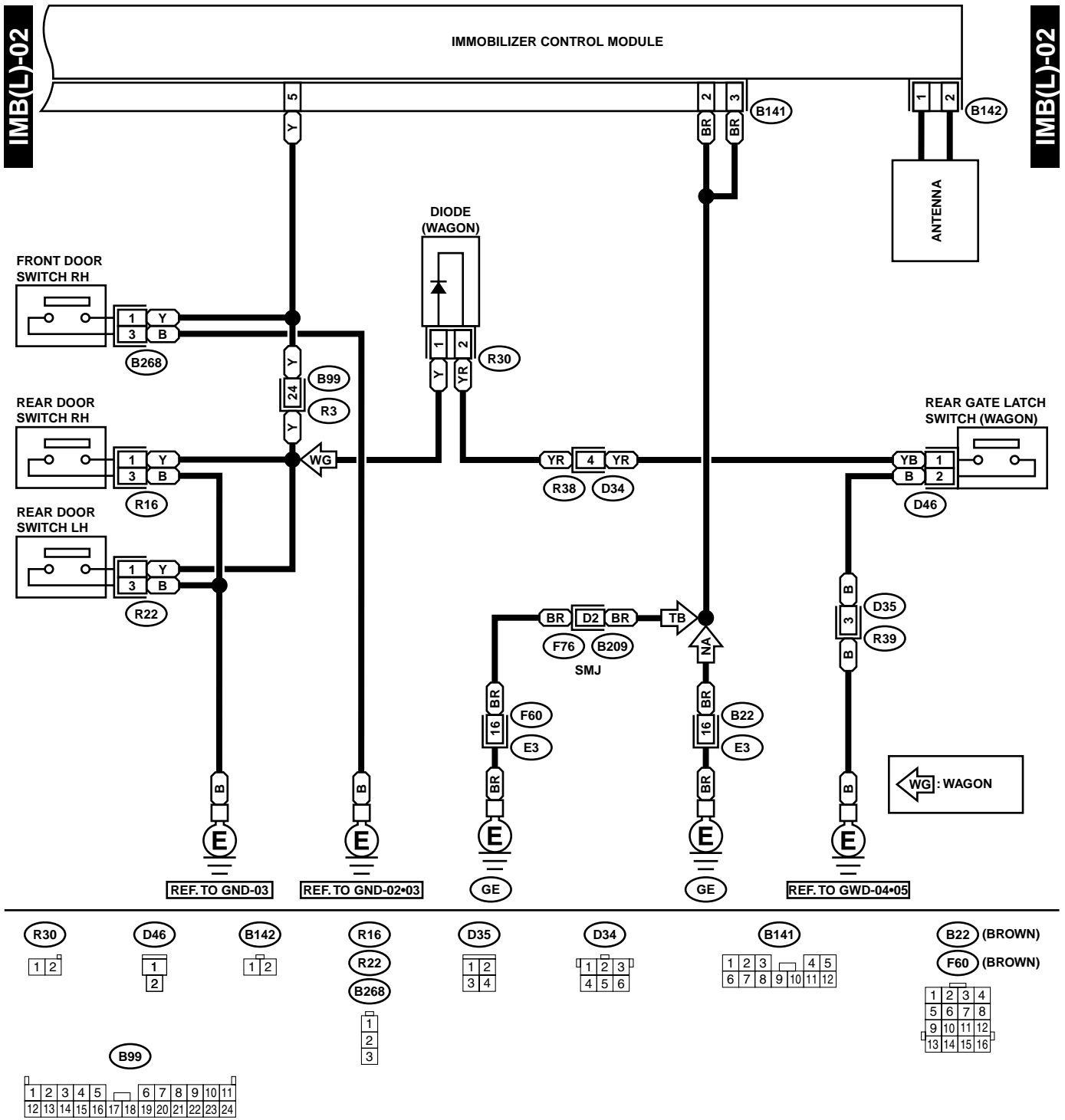


B: i11 (GREEN)



IMMOBILIZER SYSTEM

WIRING SYSTEM



GL91-20B

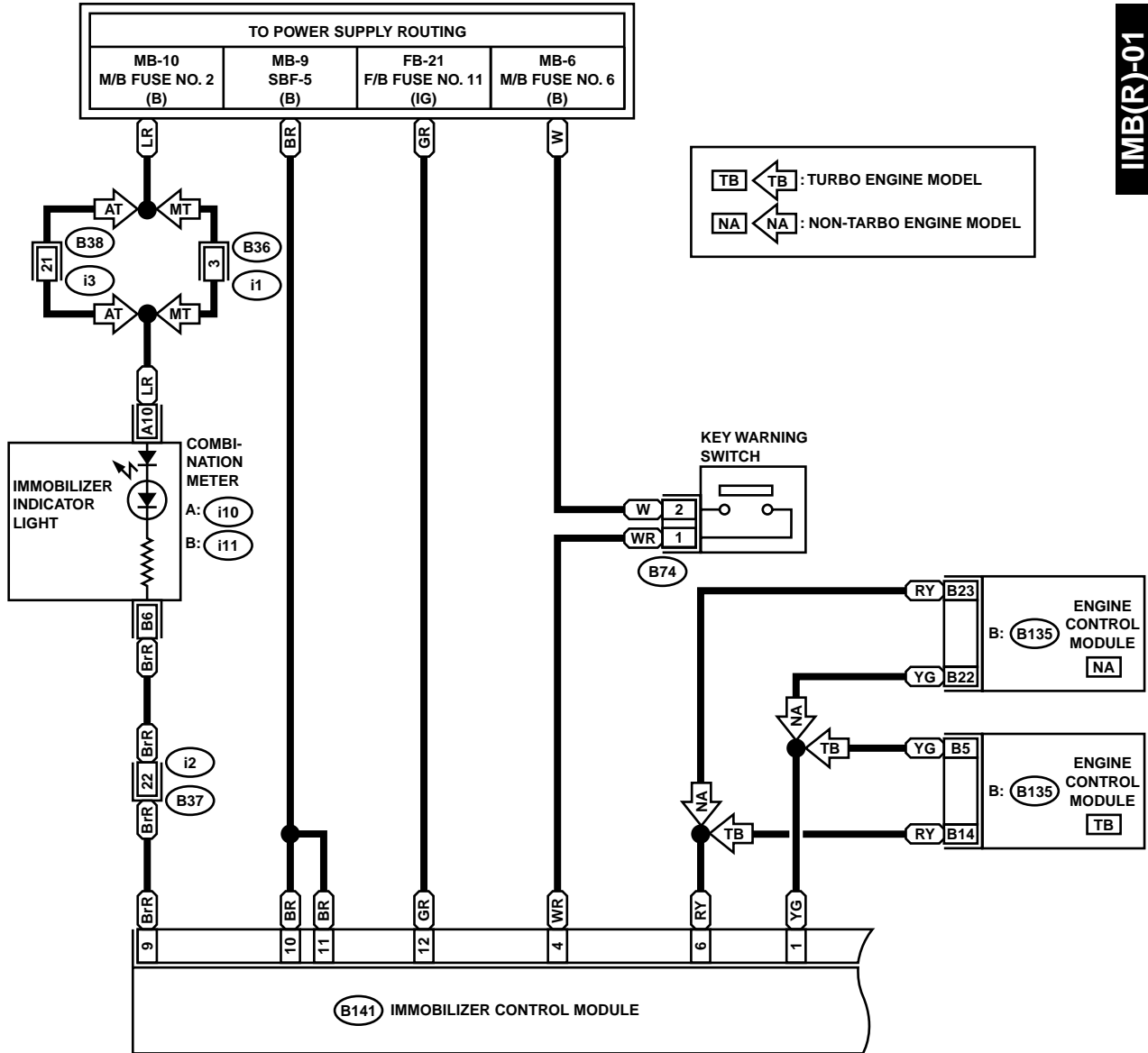
IMMOBILIZER SYSTEM

WIRING SYSTEM

2. RHD MODEL

IMB(R)-01

IMB(R)-01



B74 (BLACK)

A: i10 (GREEN)

B141

i1

i3 (BLACK)

B: B135: NT

1
2

1	2	3	4	5	6	7	8	9	10
---	---	---	---	---	---	---	---	---	----

1	2	3	4	5		
6	7	8	9	10	11	12

1	2	3	4	5	6		
7	8	9	10	11	12	13	14

1	2	3	4	5	6	7	8	9	10		
11	12	13	14	15	16	17	18	19	20	21	22

1	2	3	4	5	6	7					
8	9	10	11	12	13	14	15	16	17	18	19
20	21	22	23	24	25	26	27	28			

B: B135: TB

B: i11 (GREEN)

i2

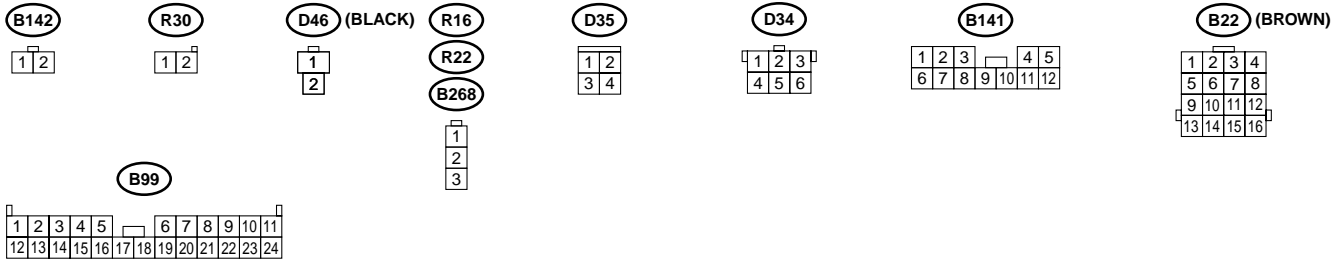
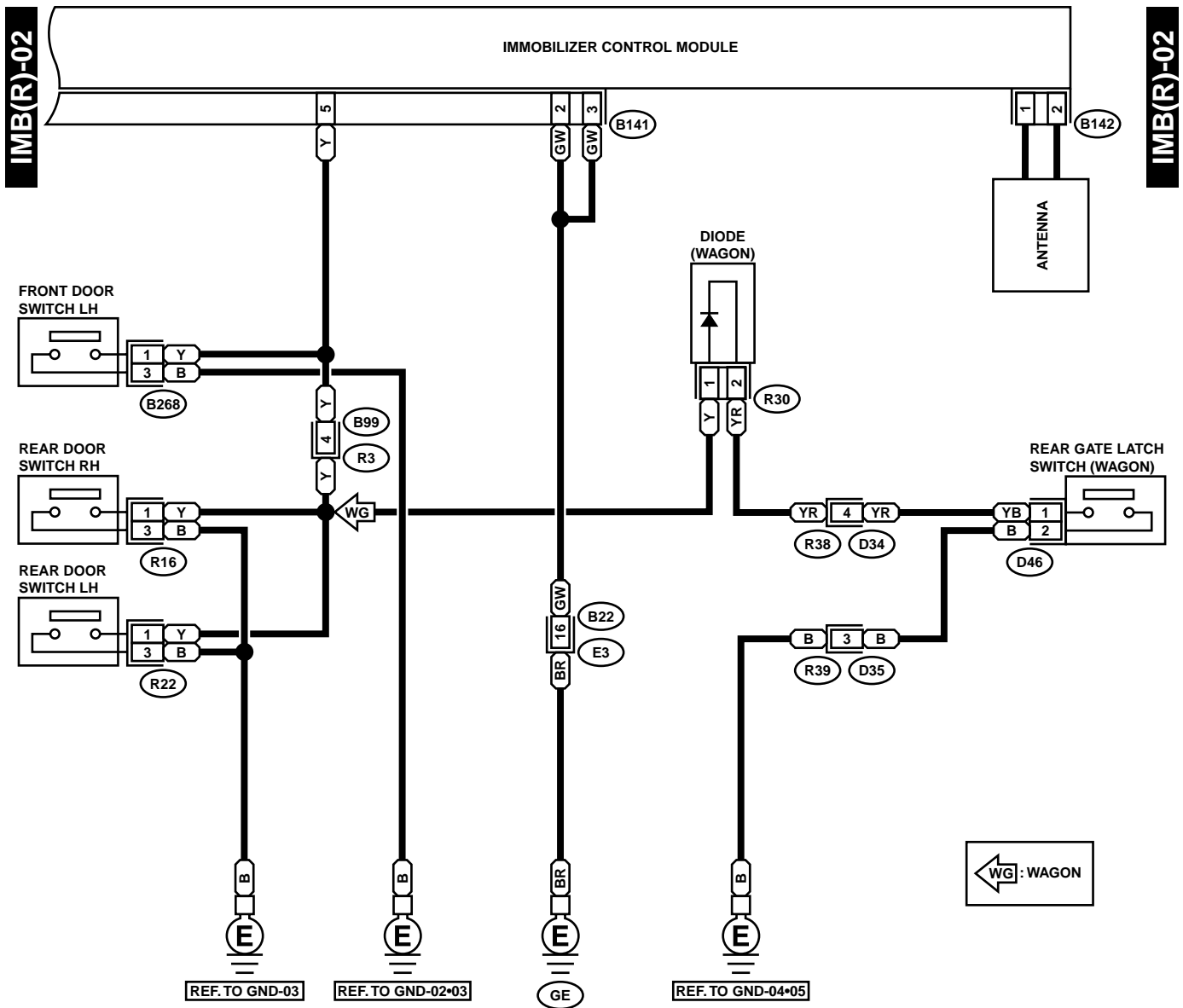
1	2	3	4	5	6	7	8	9	
10	11	12	13	14	15	16	17	18	19
20	21	22	23	24	25	26	27	28	

1	2	3	4	5	6	7	8	9	10	11	12	13	14		
15	16	17	18	19	20	21	22	23	24	25	26	27	28	29	30

1	2	3	4	5	6	7	8				
10	11	12	13	14	15	16	17	18	19	20	21
22	23	24	25	26	27	28	29	30	31	32	

IMMOBILIZER SYSTEM

WIRING SYSTEM



GR91-20B

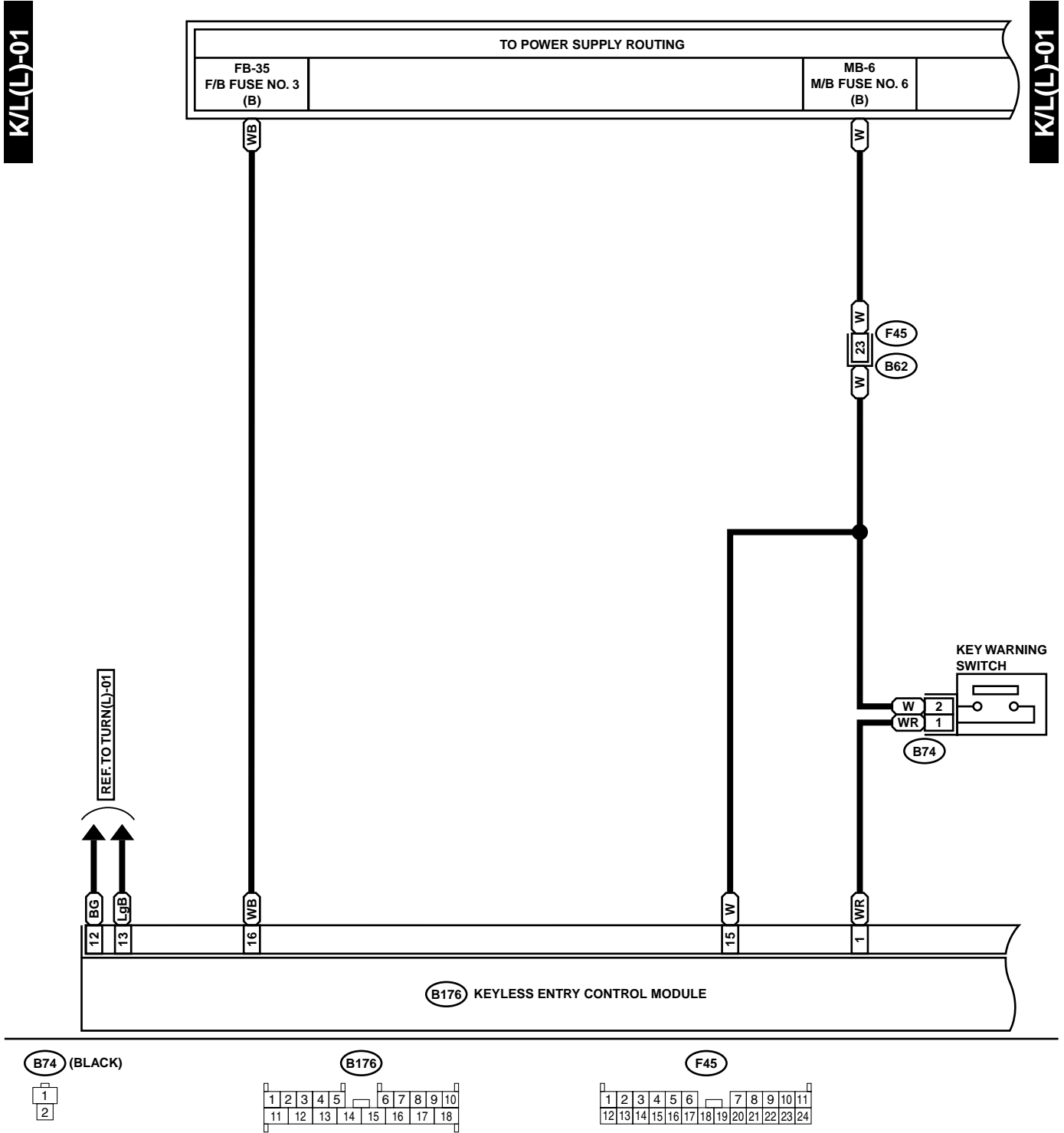
23.Keyless Entry System

A: SCHEMATIC

KEYLESS ENTRY SYSTEM

WIRING SYSTEM

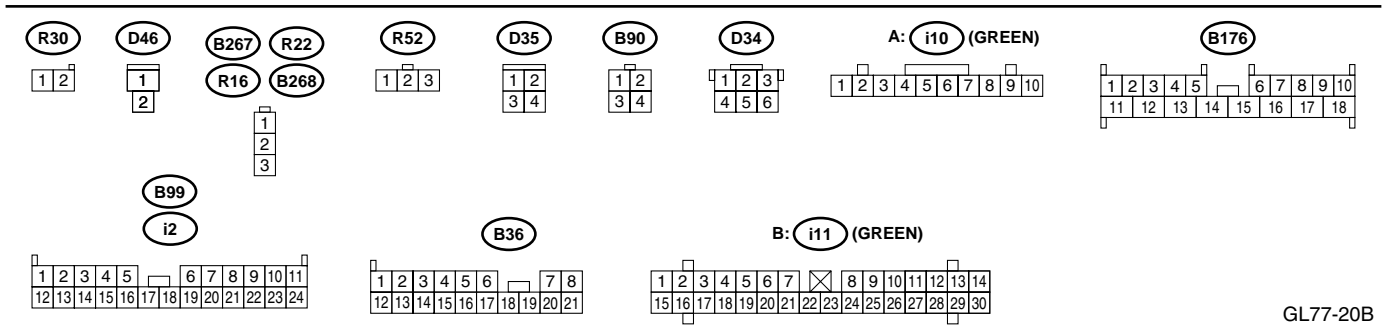
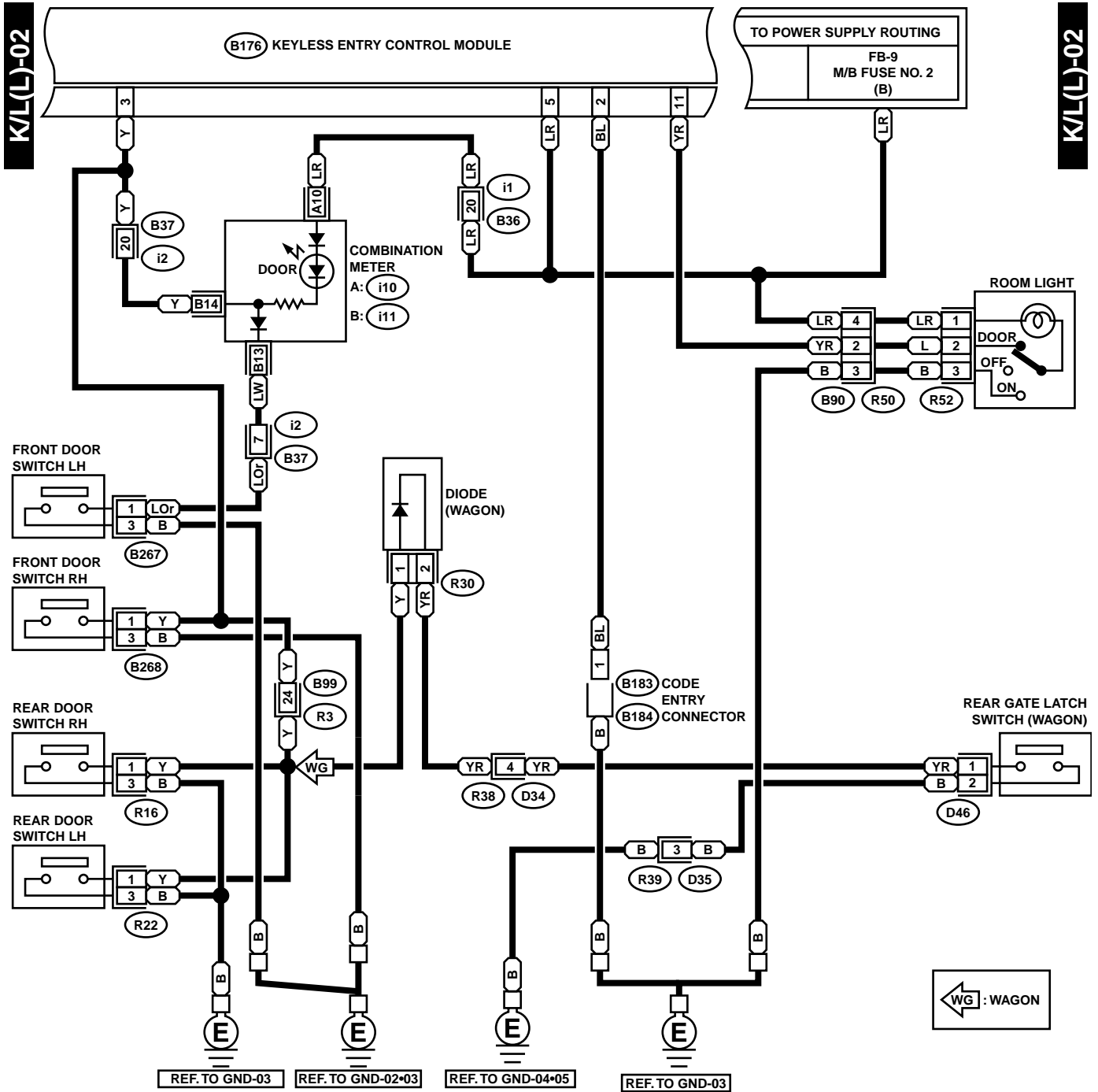
1. LHD MODEL



GL77-20A

KEYLESS ENTRY SYSTEM

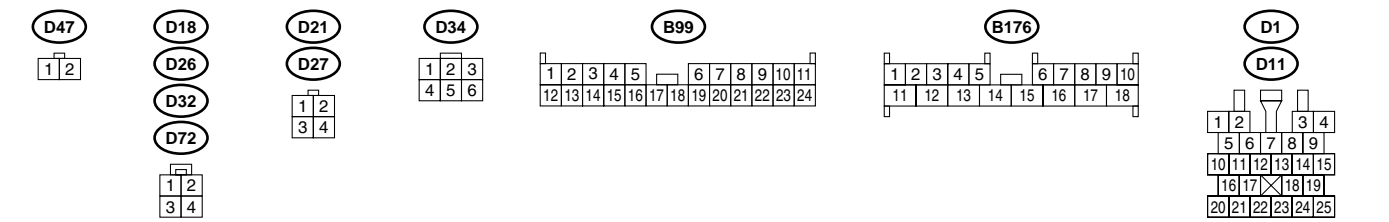
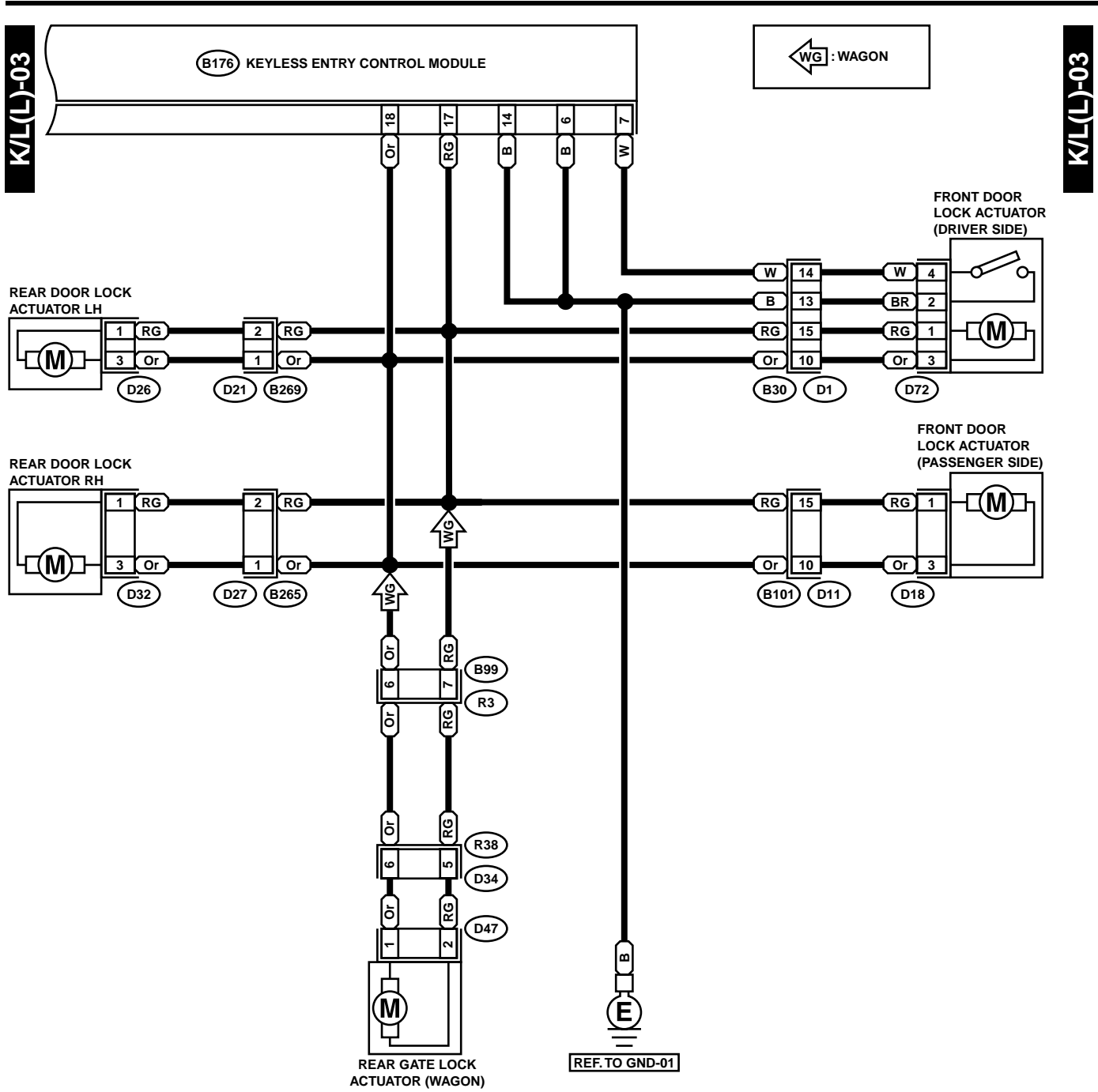
WIRING SYSTEM



GL77-20B

KEYLESS ENTRY SYSTEM

WIRING SYSTEM

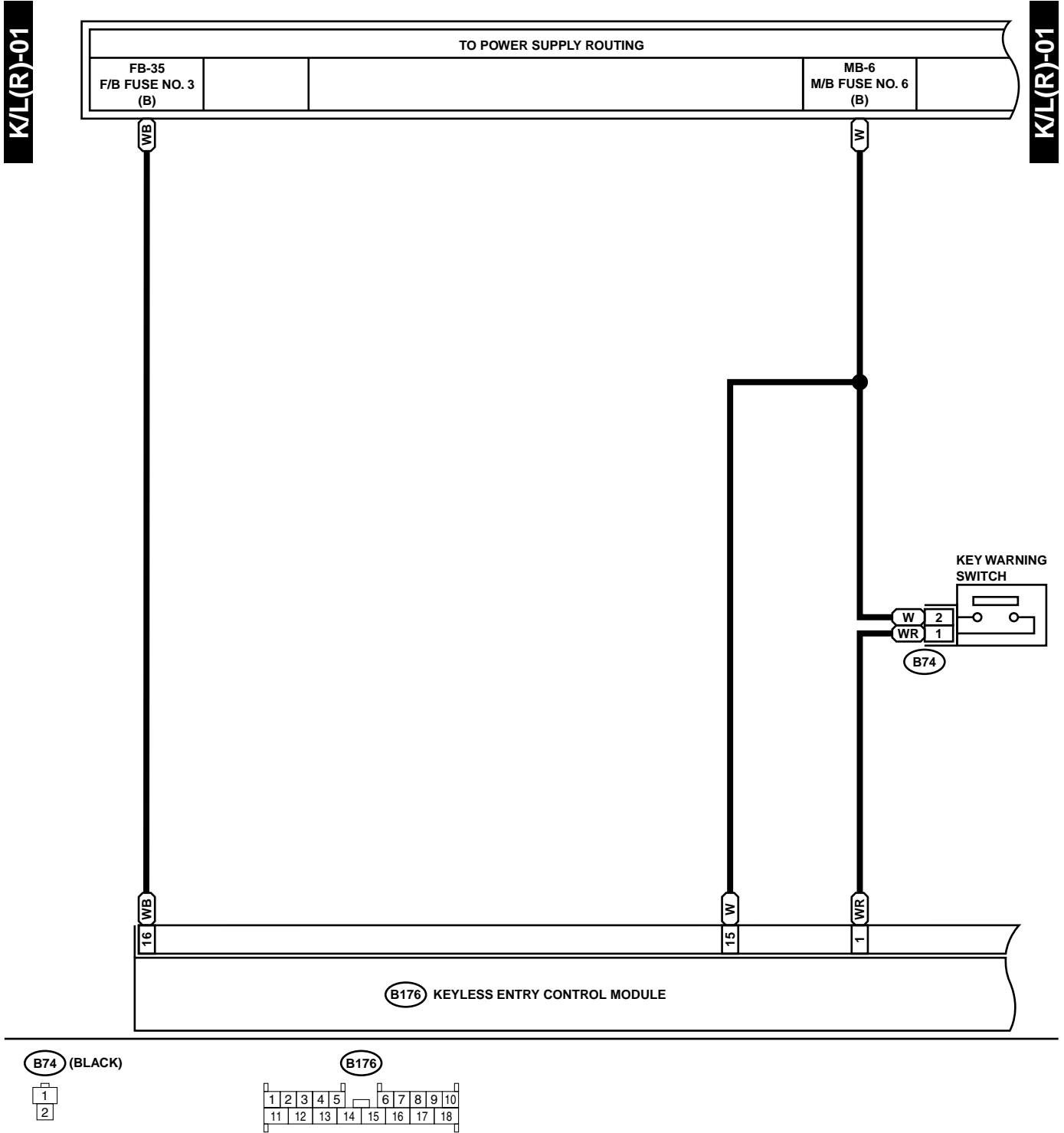


GL77-20C

KEYLESS ENTRY SYSTEM

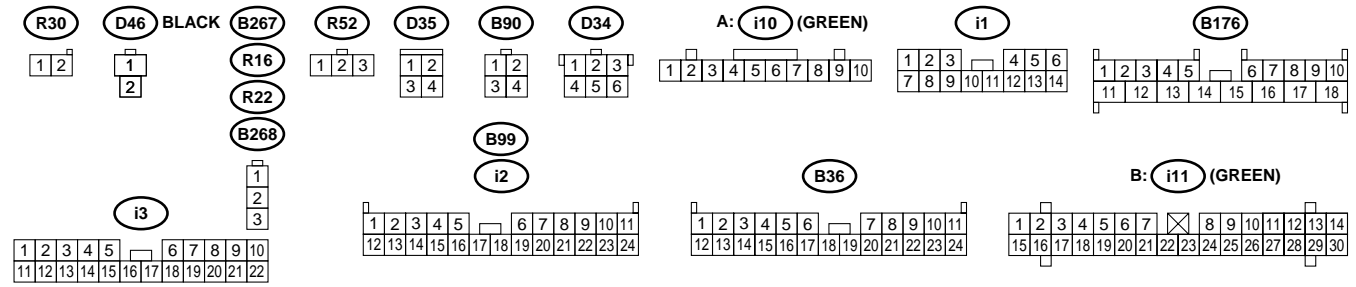
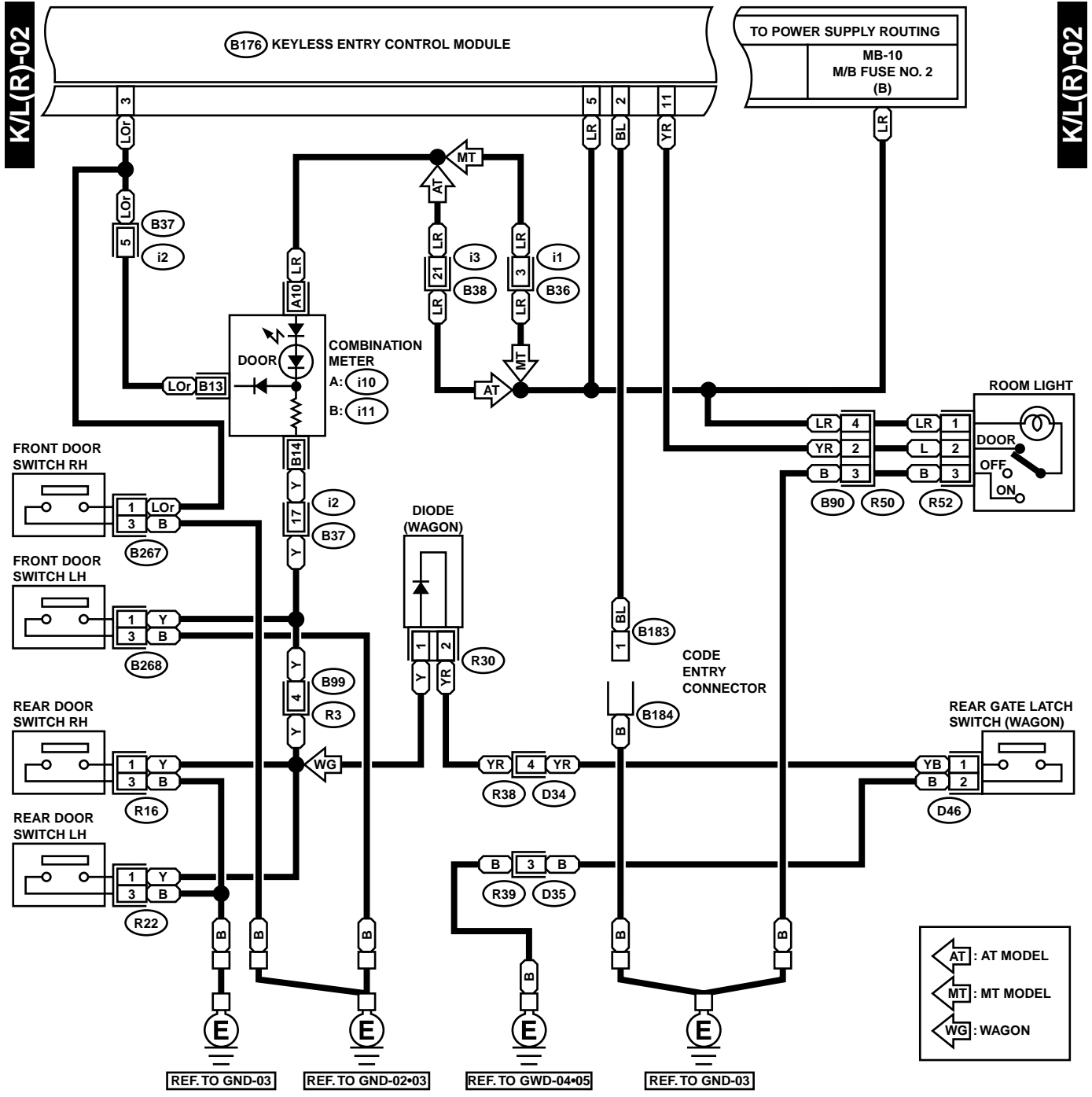
WIRING SYSTEM

2. RHD MODEL



KEYLESS ENTRY SYSTEM

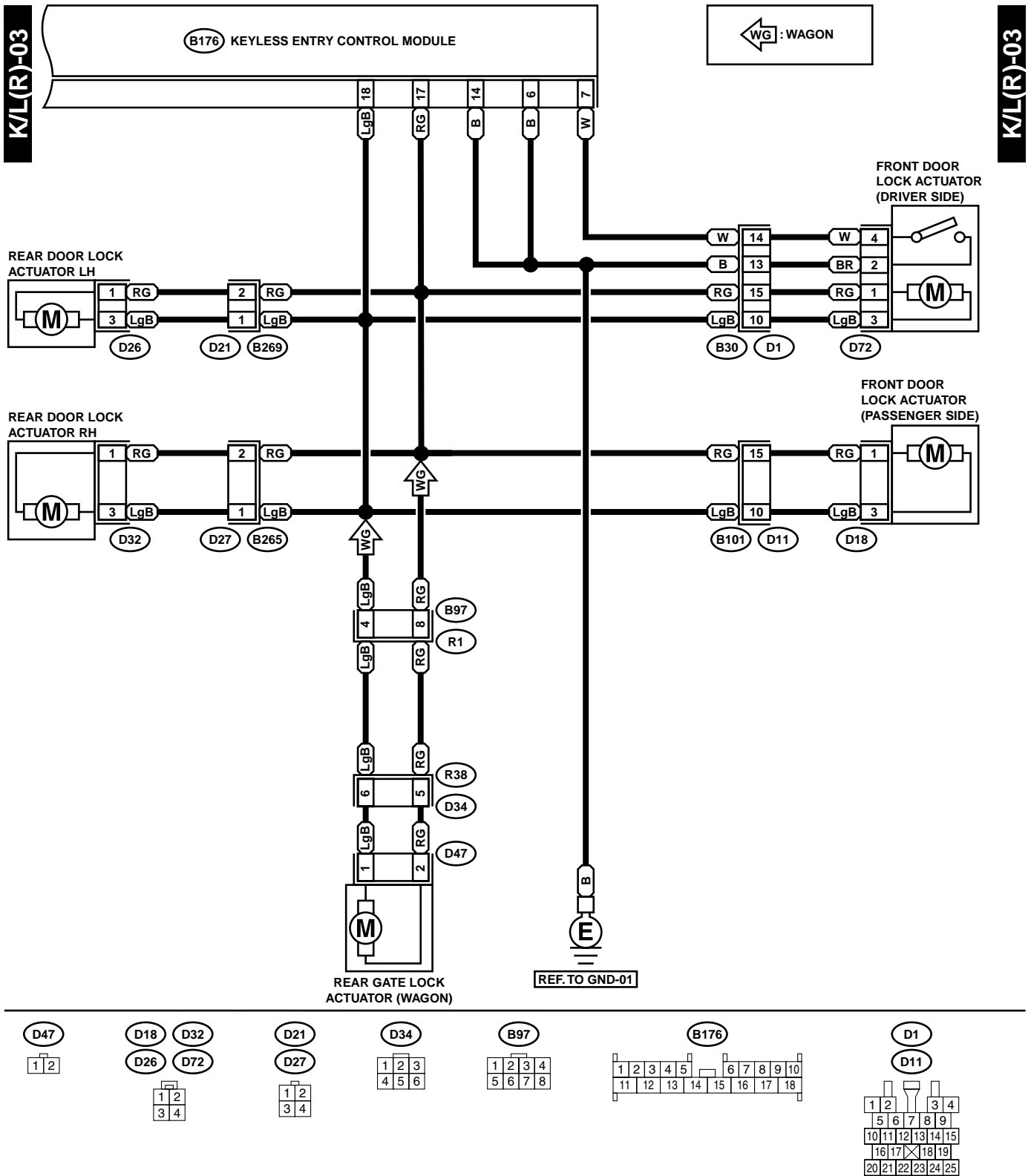
WIRING SYSTEM



GR77-20B

KEYLESS ENTRY SYSTEM

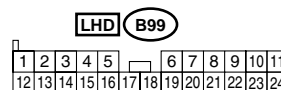
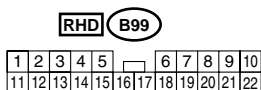
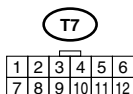
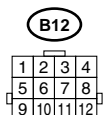
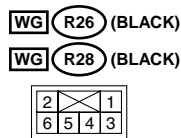
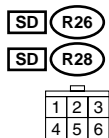
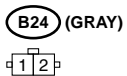
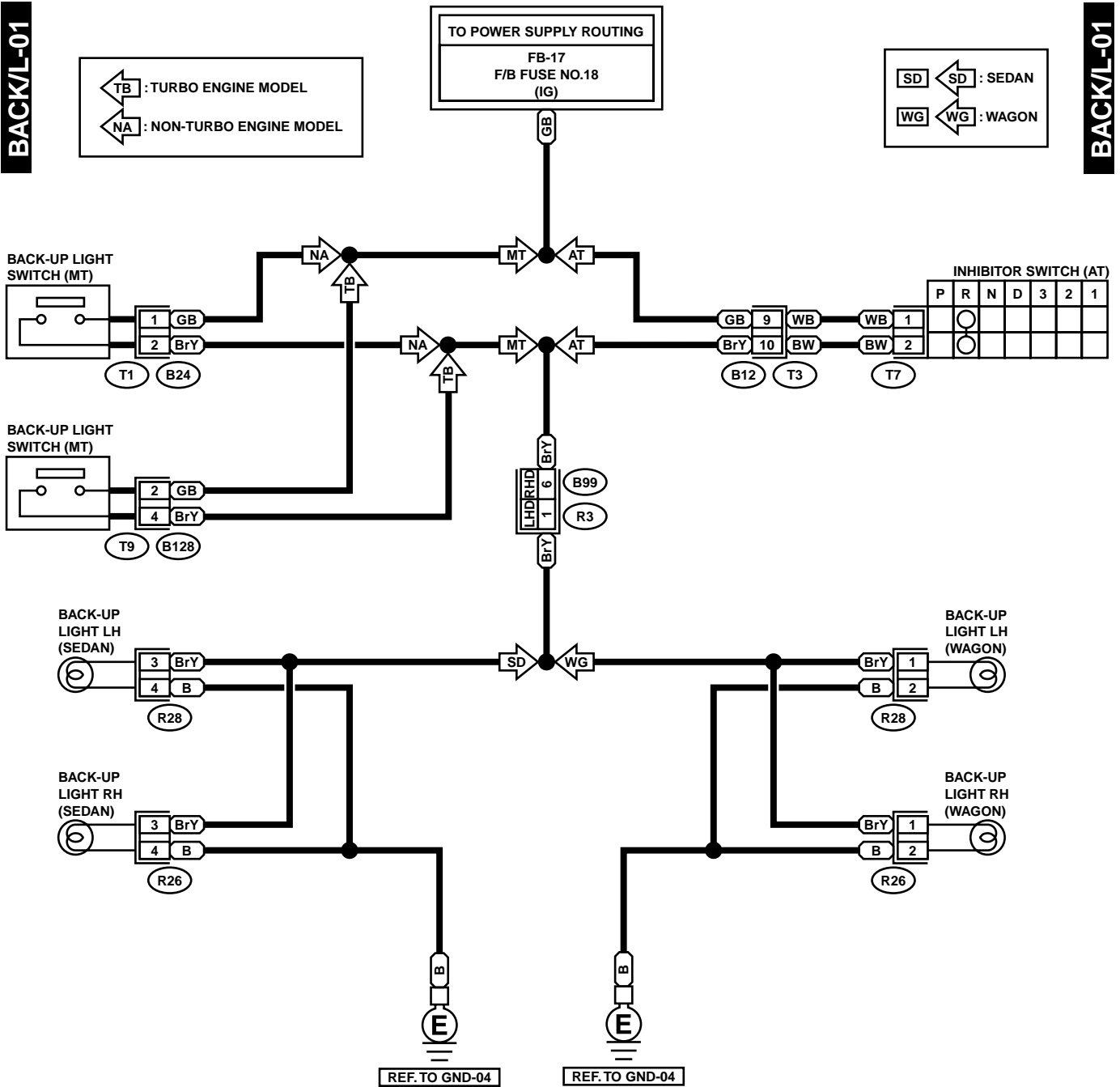
WIRING SYSTEM



GR77-20C

24. Back-up Light System

A: SCHEMATIC



CLEARANCE LIGHT AND ILLUMINATION LIGHT SYSTEM

WIRING SYSTEM

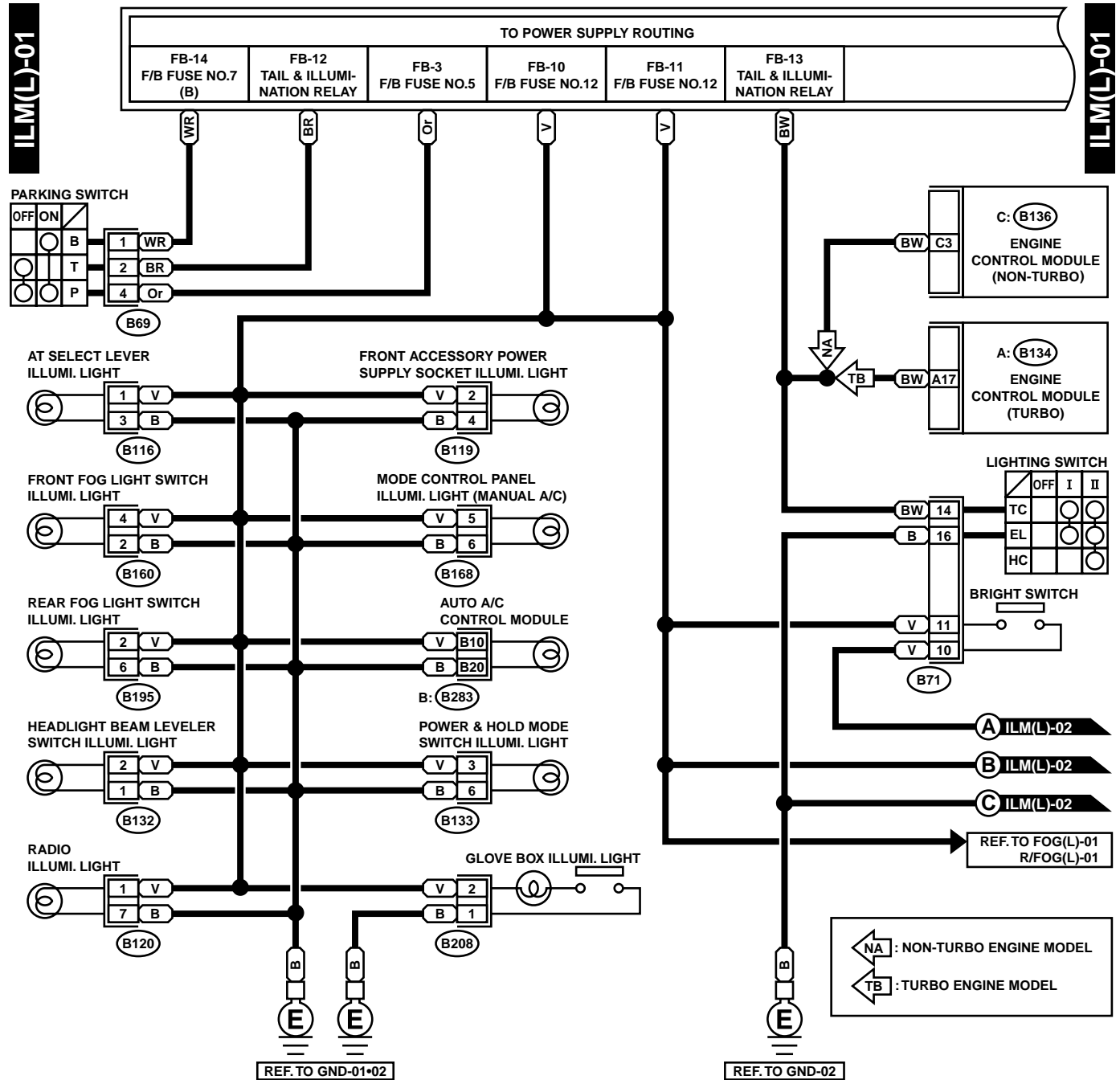
25. Clearance Light and Illumination Light System

A: SCHEMATIC

CLEARANCE LIGHT AND ILLUMINATION LIGHT SYSTEM

WIRING SYSTEM

1. LHD MODEL



B208 (BLACK)



B69



B119



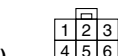
B132



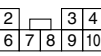
B195



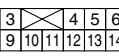
B133



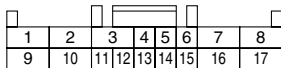
B168



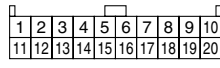
B120



B71



B: B283 (GRAY)



A: B134



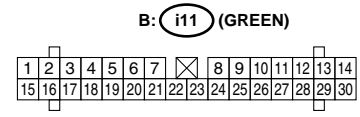
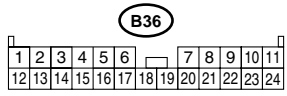
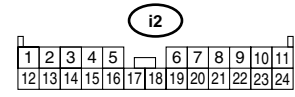
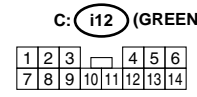
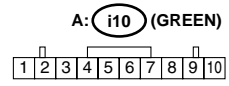
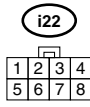
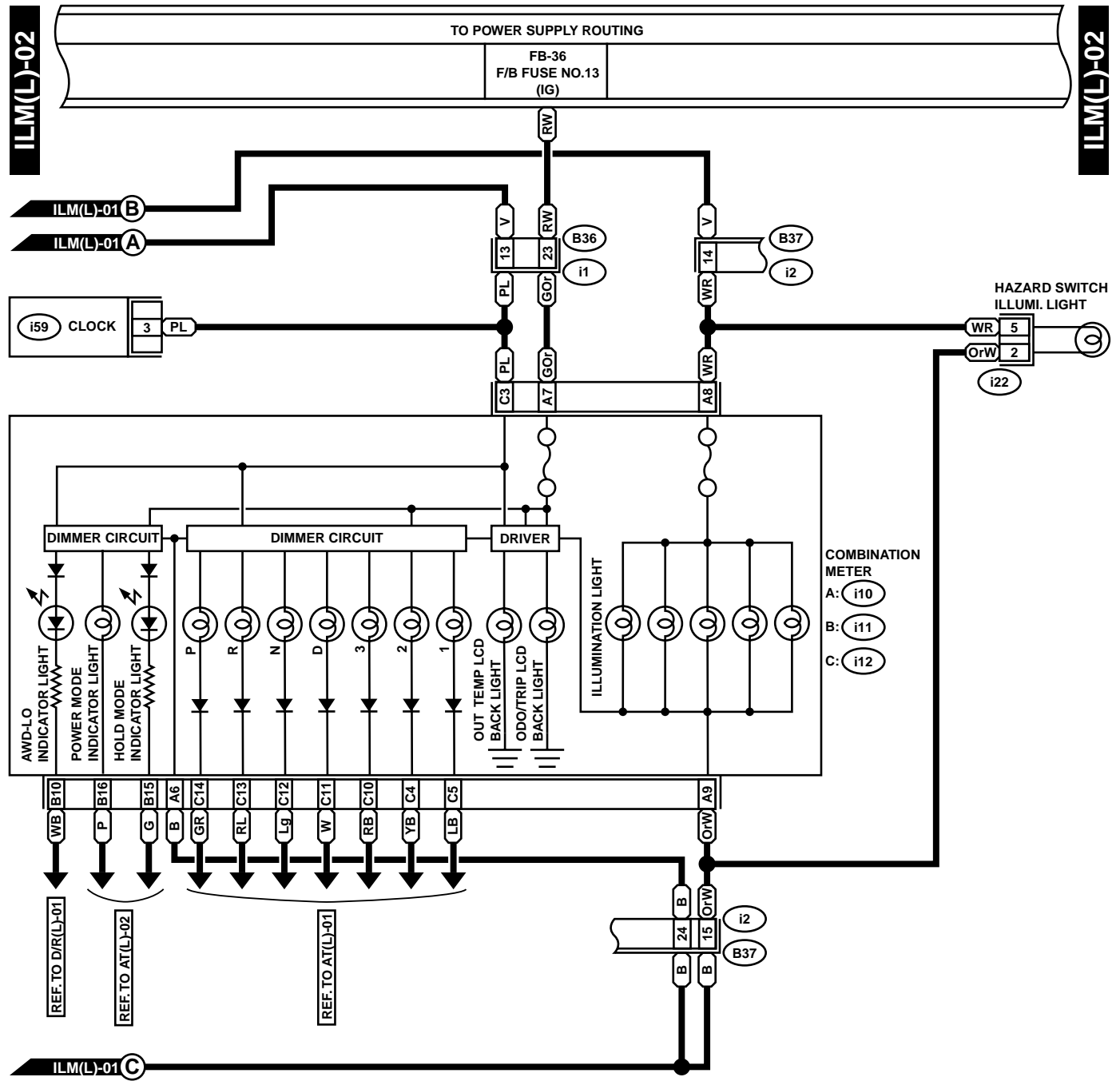
C: B136



GL21-21A

CLEARANCE LIGHT AND ILLUMINATION LIGHT SYSTEM

WIRING SYSTEM

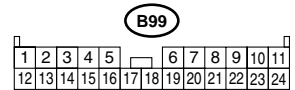
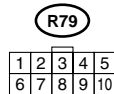
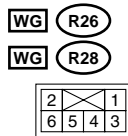
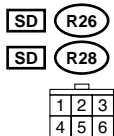
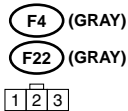
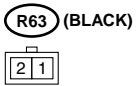
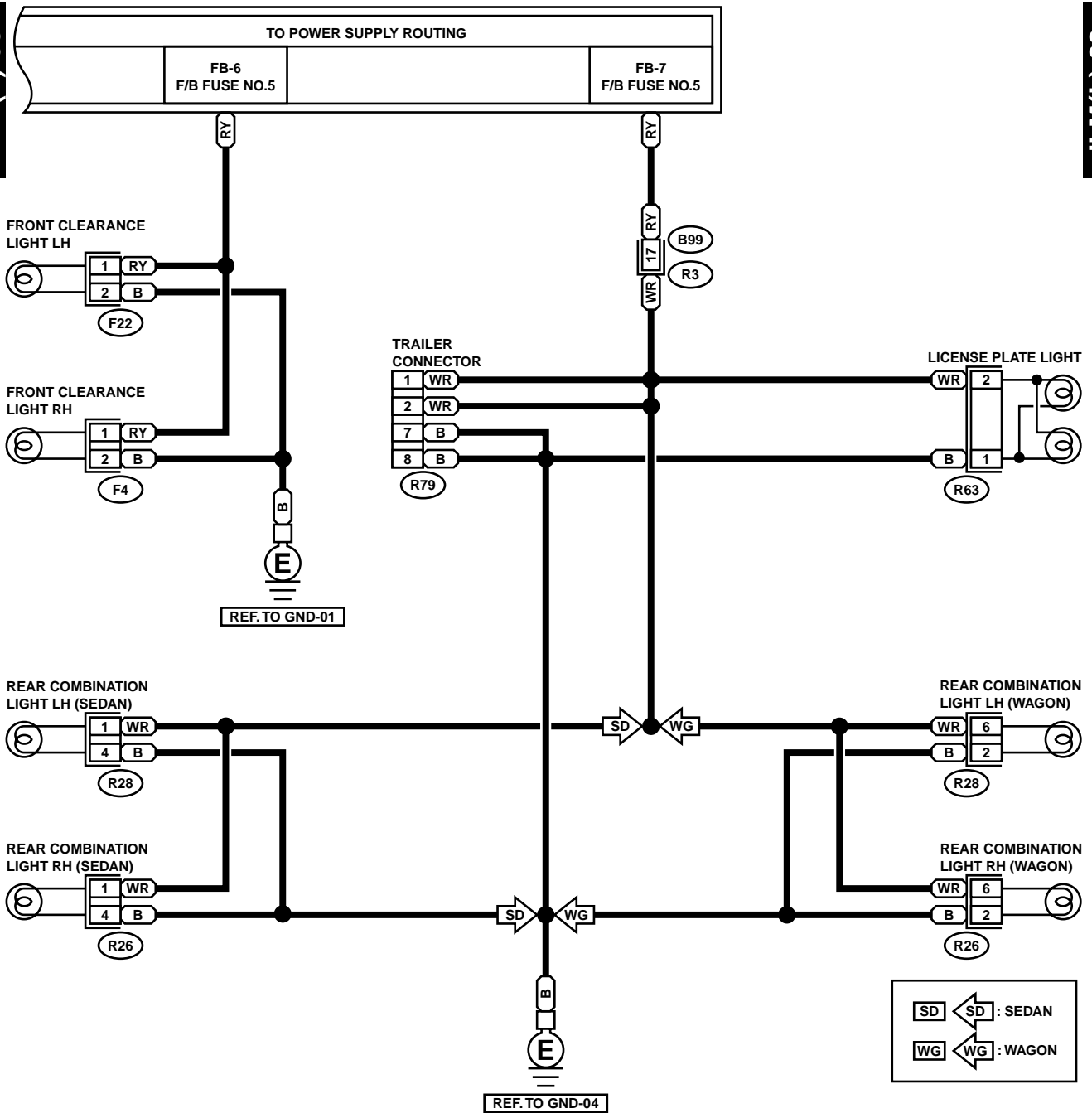


CLEARANCE LIGHT AND ILLUMINATION LIGHT SYSTEM

WIRING SYSTEM

ILM(L)-03

ILM(L)-03

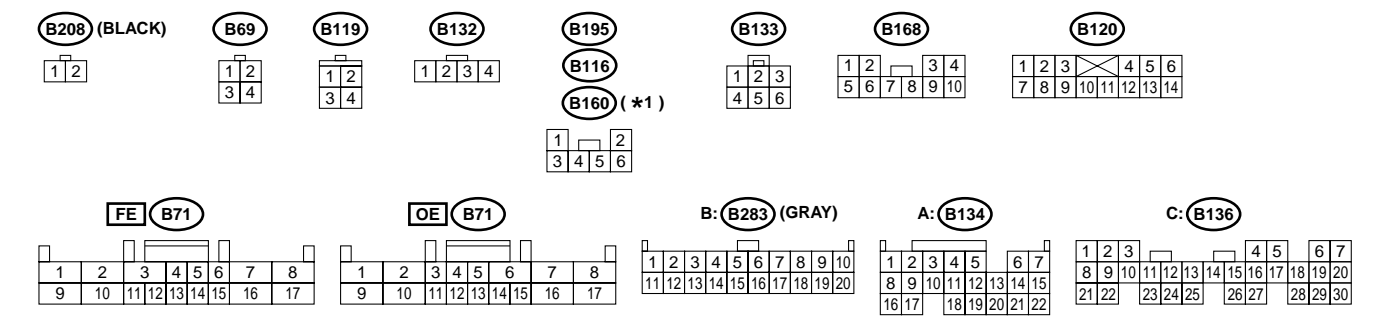
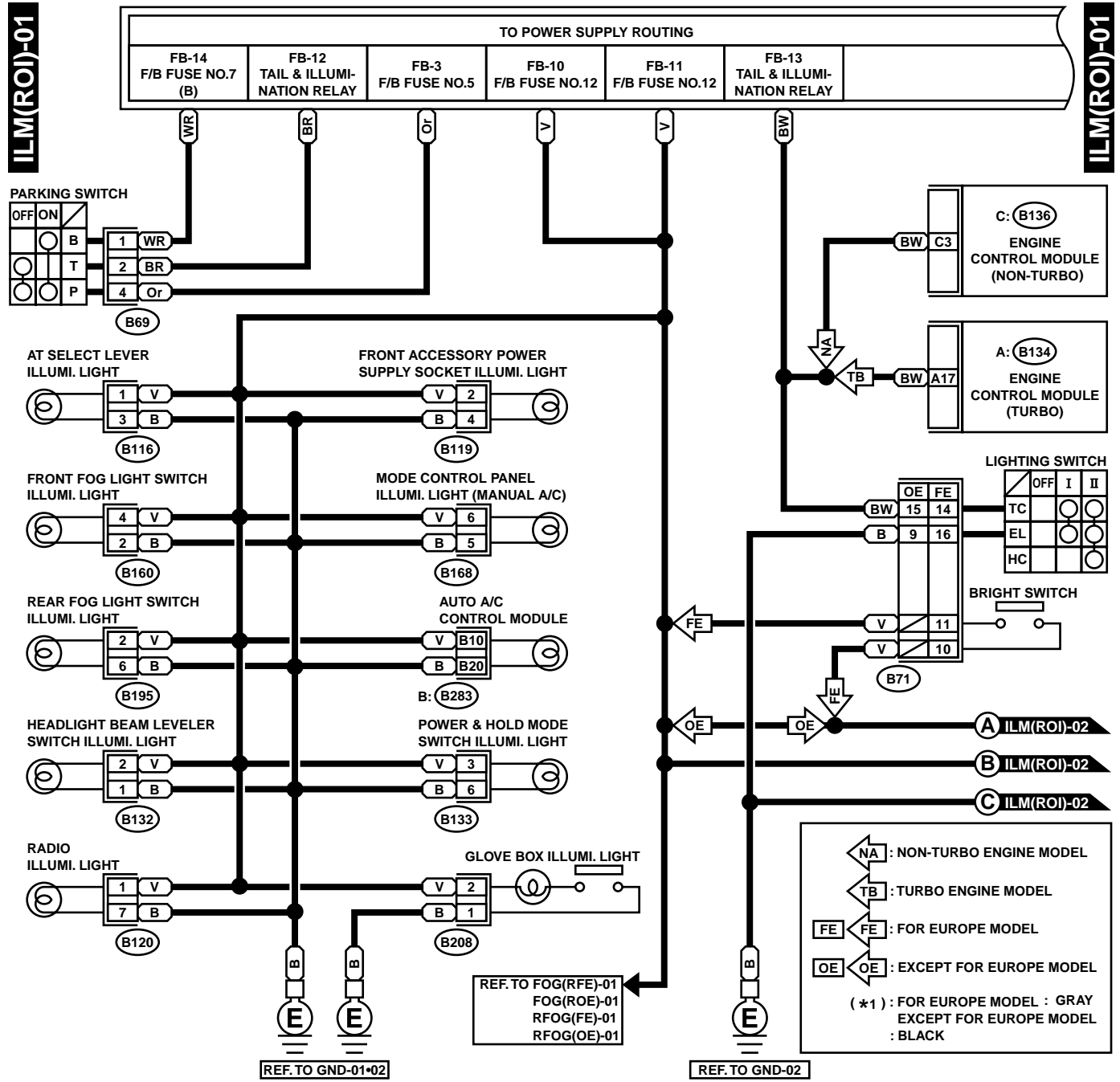


GL21-21C

CLEARANCE LIGHT AND ILLUMINATION LIGHT SYSTEM

WIRING SYSTEM

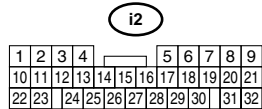
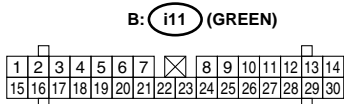
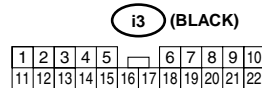
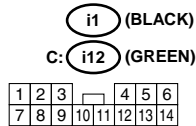
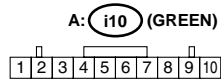
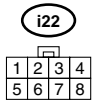
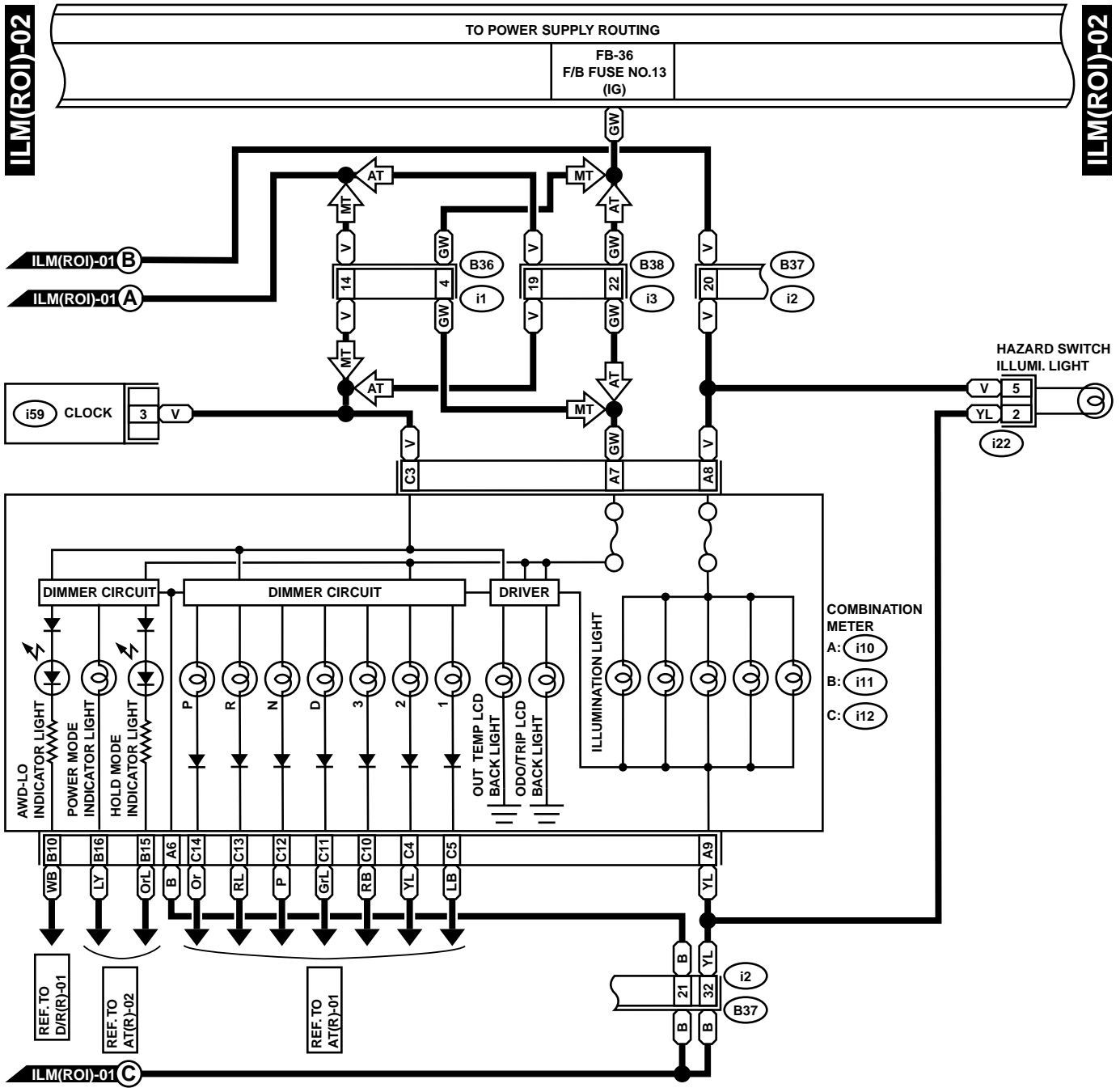
2. RHD WITHOUT ILLUMINATION CONTROL MODEL



GR21-21A

CLEARANCE LIGHT AND ILLUMINATION LIGHT SYSTEM

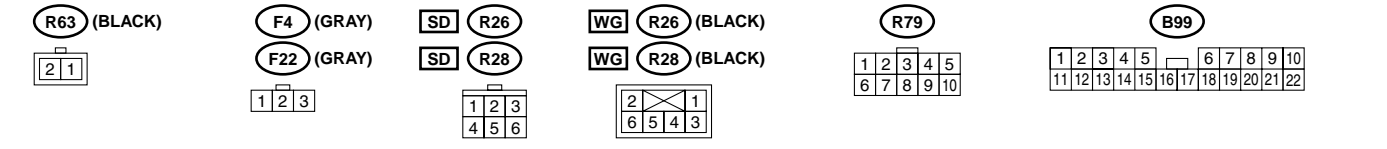
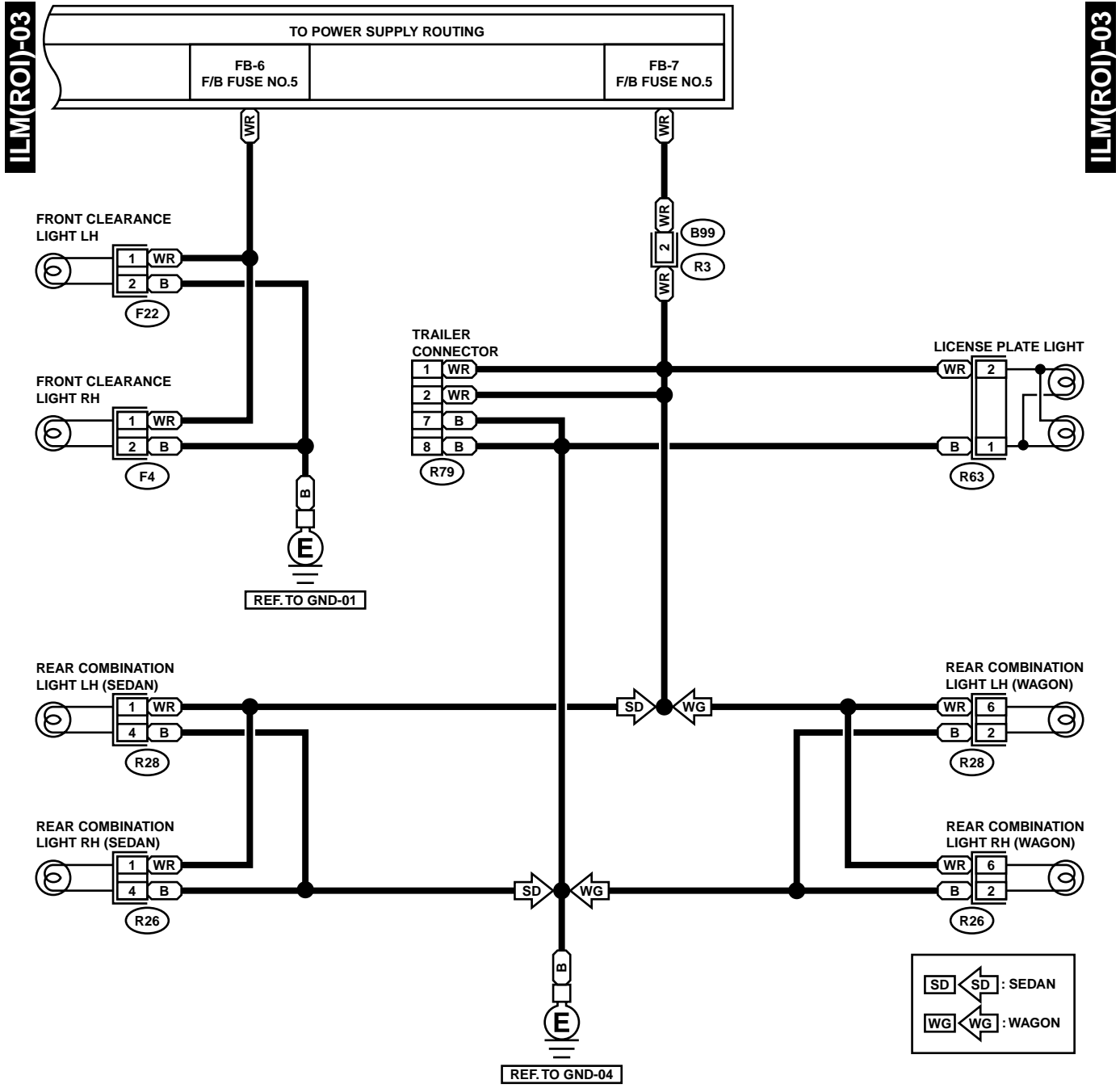
WIRING SYSTEM



GR21-21B

CLEARANCE LIGHT AND ILLUMINATION LIGHT SYSTEM

WIRING SYSTEM

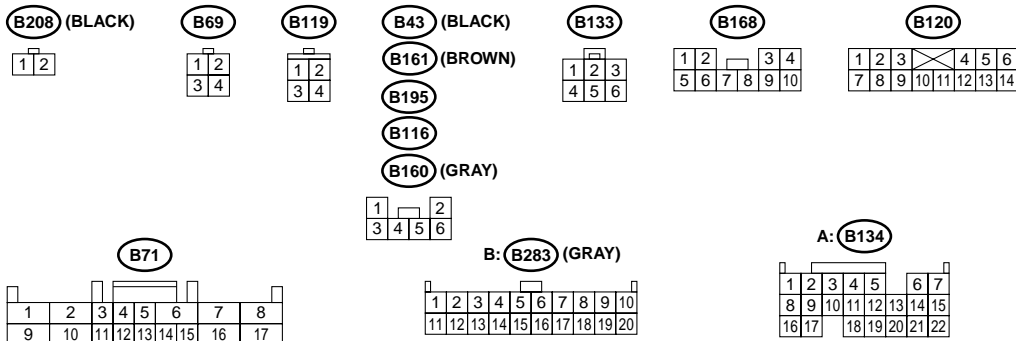
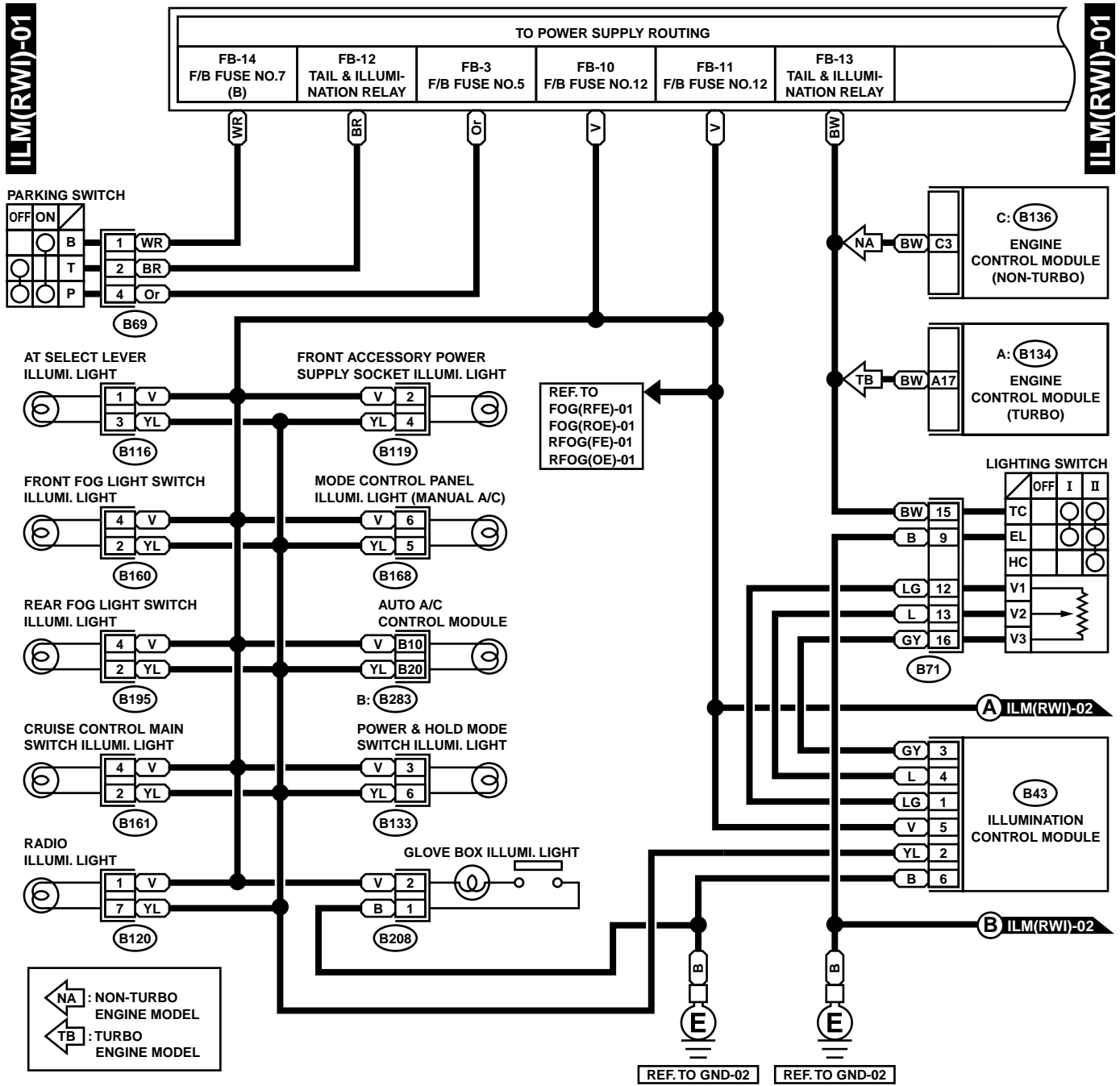


GR21-21C

CLEARANCE LIGHT AND ILLUMINATION LIGHT SYSTEM

WIRING SYSTEM

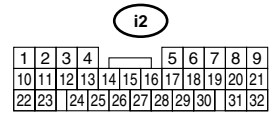
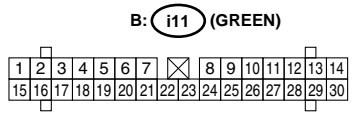
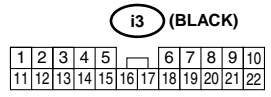
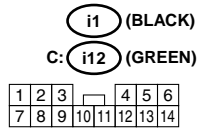
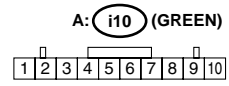
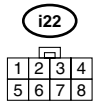
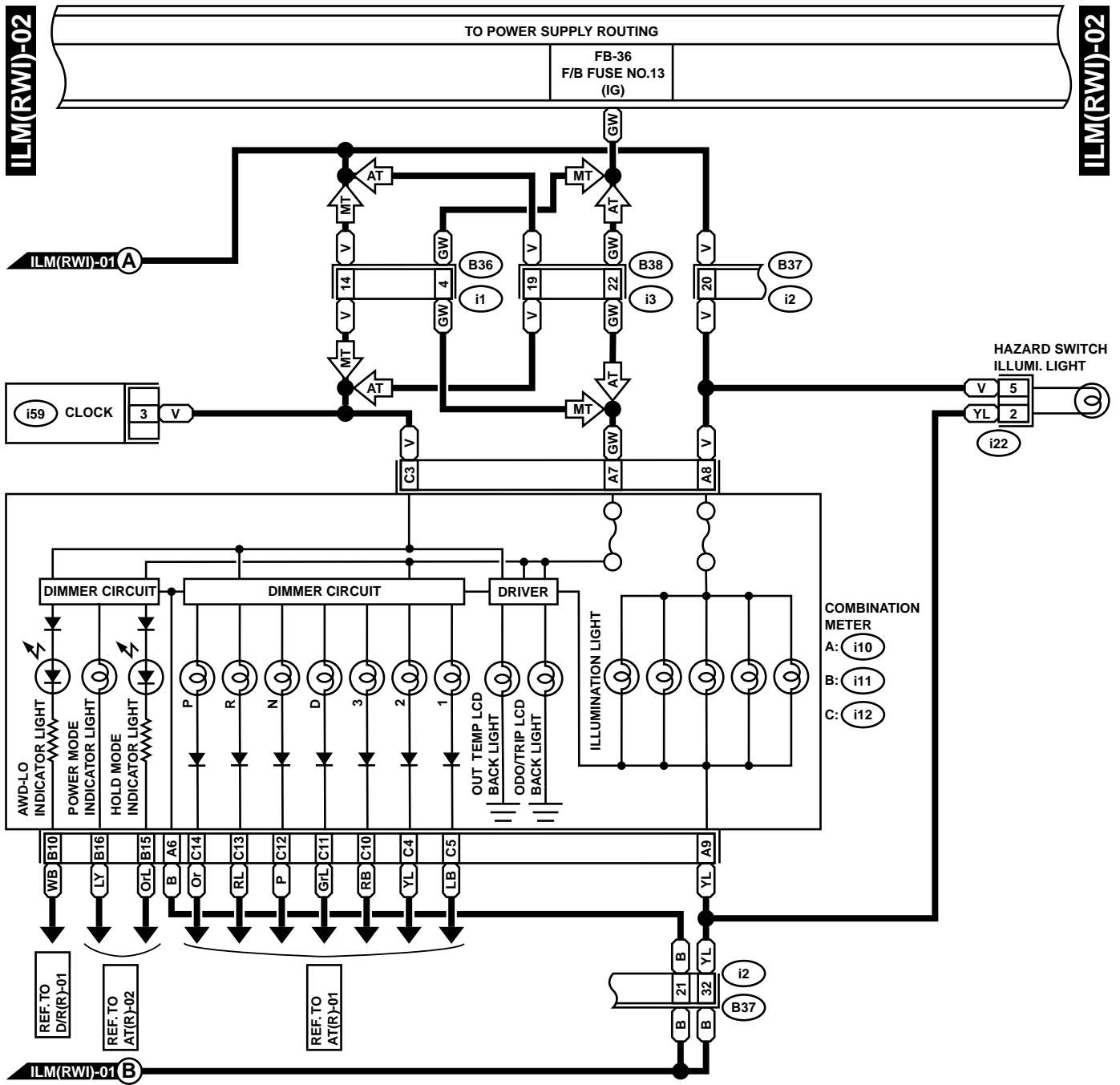
3. RHD WITH ILLUMINATION CONTROL MODEL



GR21-22A

CLEARANCE LIGHT AND ILLUMINATION LIGHT SYSTEM

WIRING SYSTEM

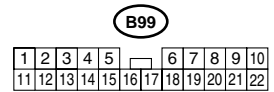
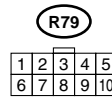
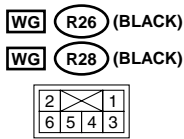
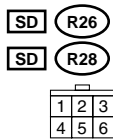
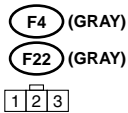
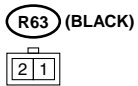
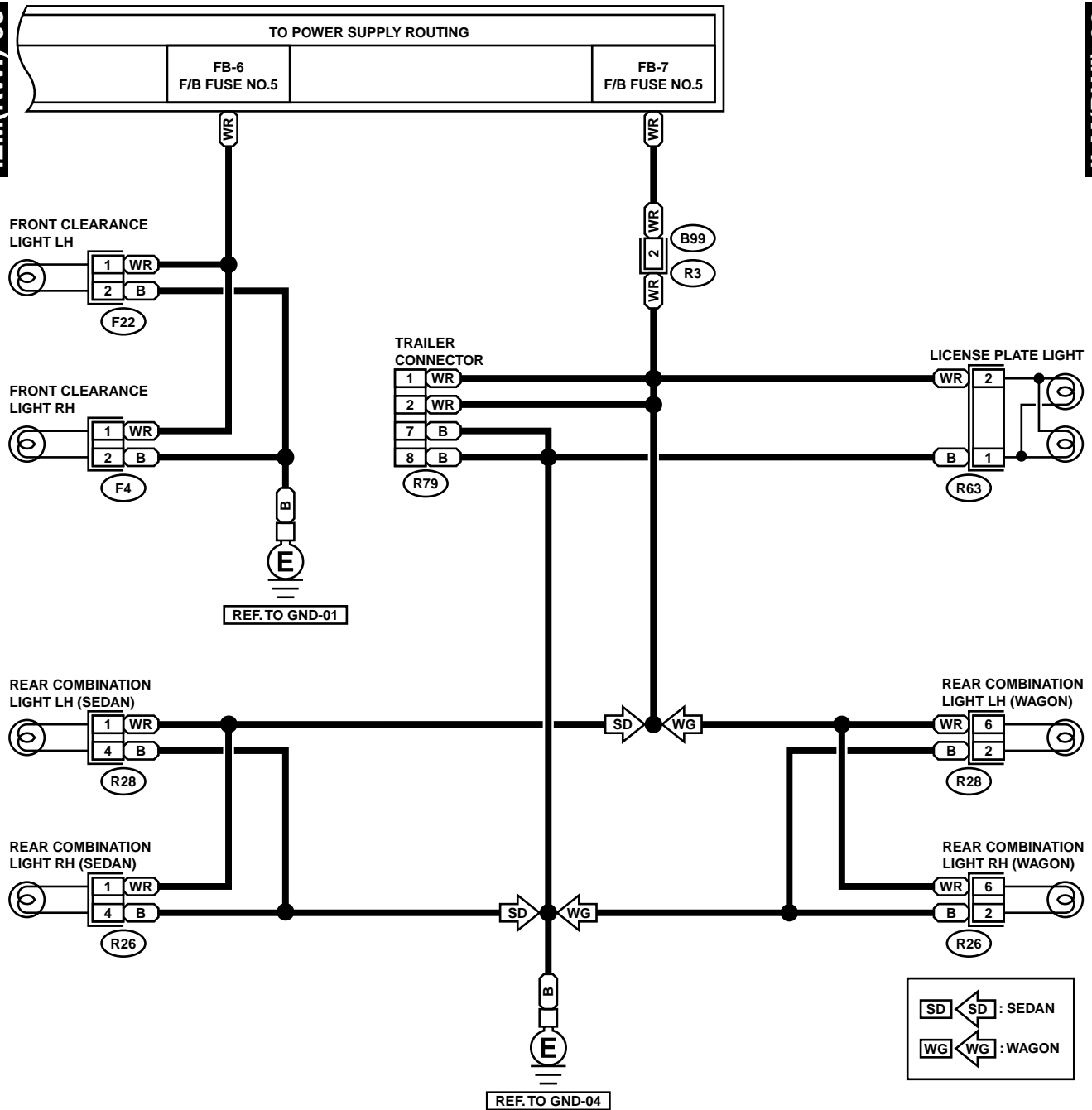


CLEARANCE LIGHT AND ILLUMINATION LIGHT SYSTEM

WIRING SYSTEM

ILM(RWI)-03

ILM(RWI)-03



GR21-22C

26.Front Fog Light System

A: SCHEMATIC

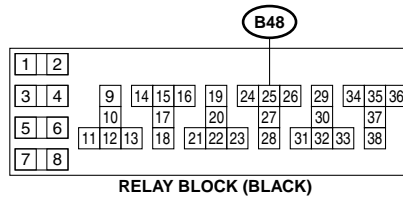
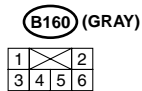
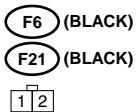
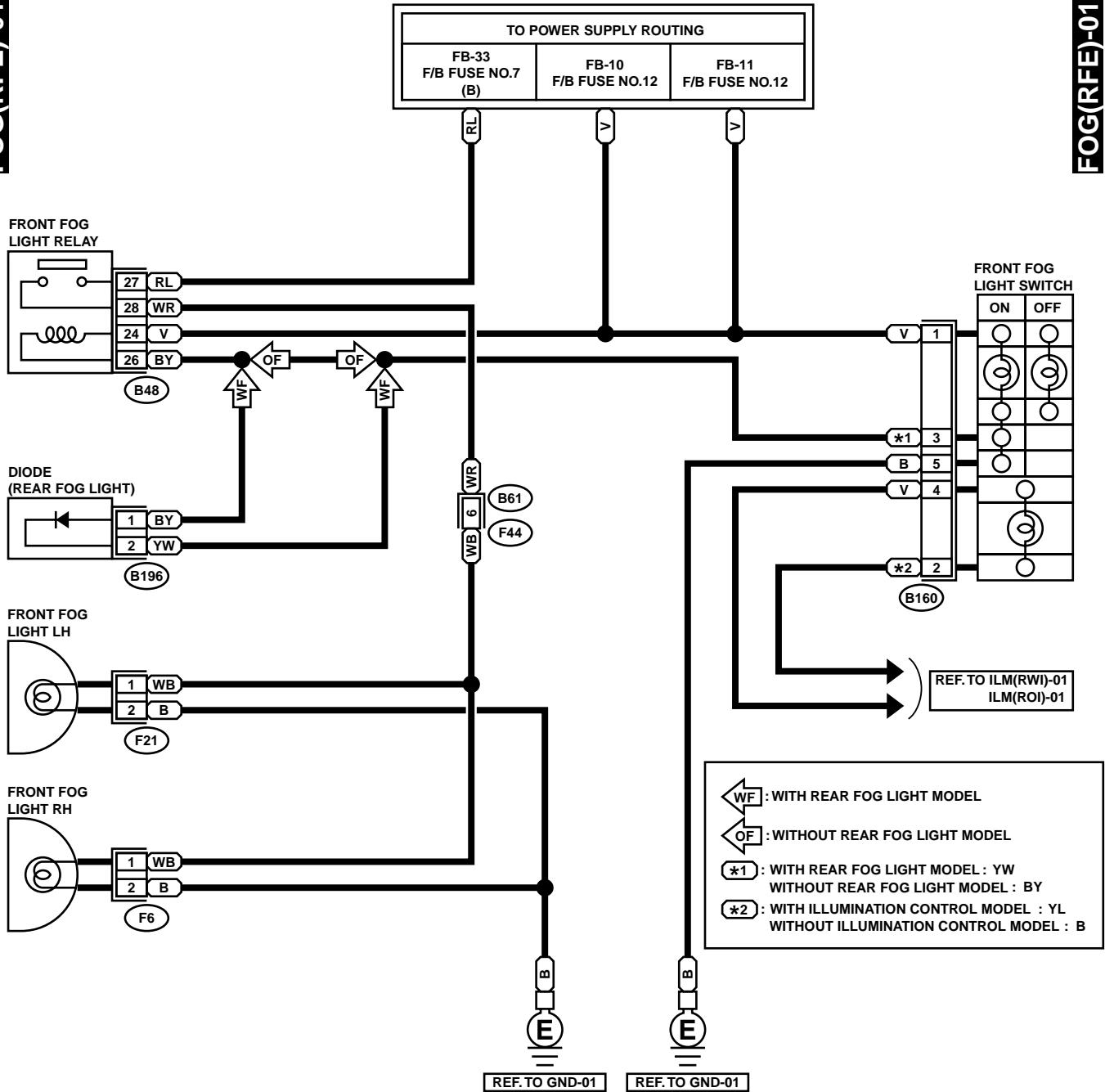
FRONT FOG LIGHT SYSTEM

WIRING SYSTEM

2. RHD FOR EUROPE MODEL

FOG(RFE)-01

FOG(RFE)-01



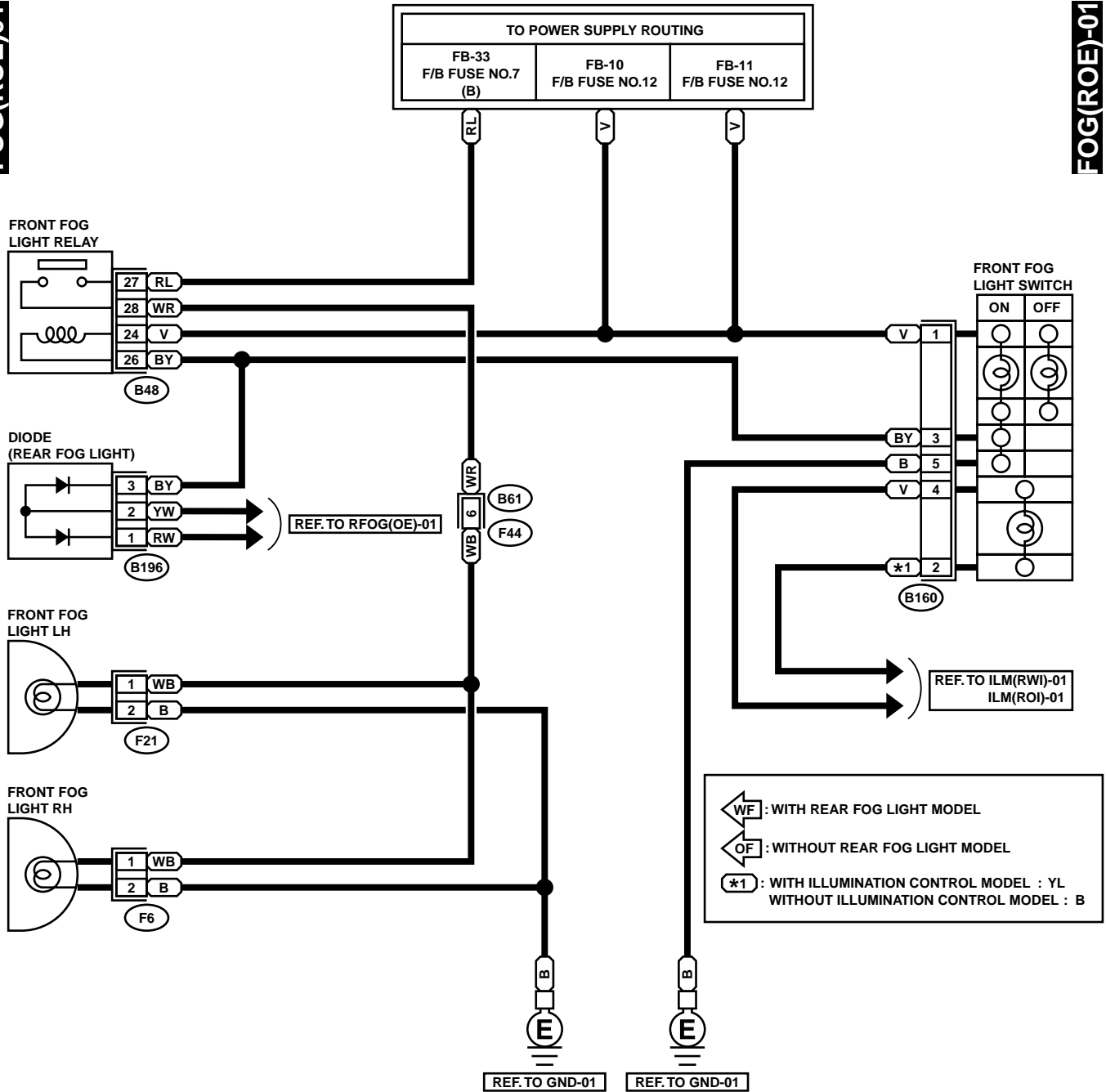
FRONT FOG LIGHT SYSTEM

WIRING SYSTEM

3. RHD EXCEPT FOR EUROPE MODEL

FOG(ROE)01

FOG(ROE)-01



F6 (BLACK)

B196

B160 (GRAY)

F44

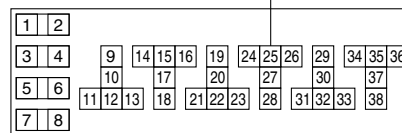
B48

F21 (BLACK)

1	2	3
---	---	---

1	2
3	4
5	6

1	2	3	4
5	6	7	8



RELAY BLOCK (BLACK)

27.Headlight System

A: SCHEMATIC

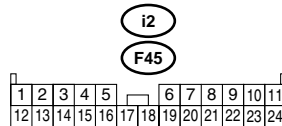
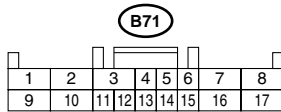
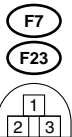
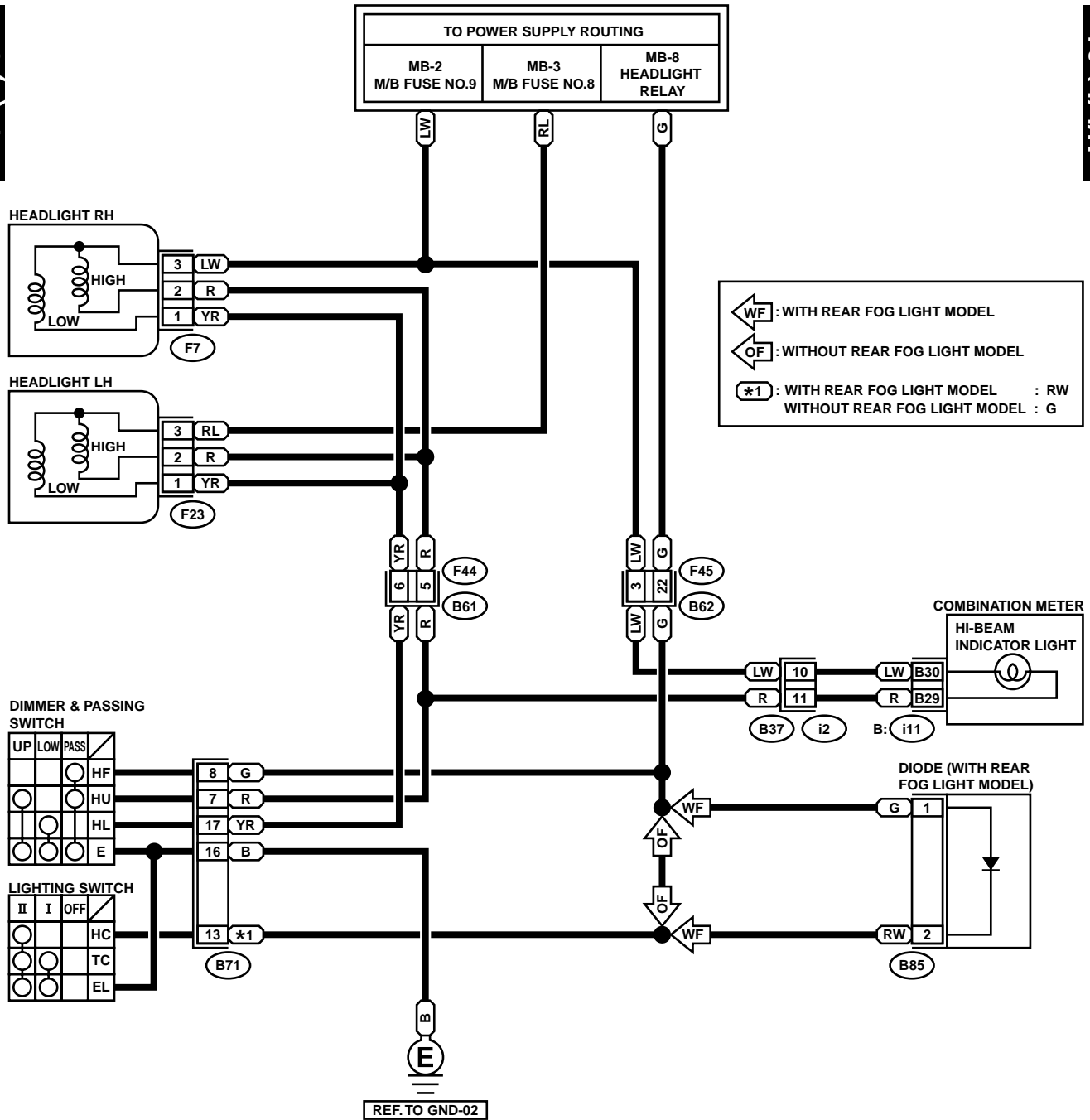
HEADLIGHT SYSTEM

WIRING SYSTEM

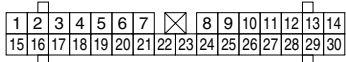
1. LHD MODEL

H/L(L)-01

H/L(L)-01



B: i11 (GREEN)



GL19-20

HEADLIGHT SYSTEM

WIRING SYSTEM

2. RHD MODEL

