

ENGINE SECTION 3

This service manual has been prepared to provide SUBARU service personnel with the necessary information and data for the correct maintenance and repair of SUBARU vehicles.

This manual includes the procedures for maintenance, disassembling, reassembling, inspection and adjustment of components and diagnostics for guidance of experienced mechanics.

Please peruse and utilize this manual fully to ensure complete repair work for satisfying our customers by keeping their vehicle in optimum condition. When replacement of parts during repair work is needed, be sure to use SUBARU genuine parts.

All information, illustration and specifications contained in this manual are based on the latest product information available at the time of publication approval.

FUEL INJECTION (FUEL SYSTEM) FU(H4DOTC 2.5)

EMISSION CONTROL (AUX. EMISSION CONTROL DEVICE) EC(H4DOTC 2.5)

INTAKE (INDUCTION) IN(H4DOTC 2.5)

MECHANICAL ME(H4DOTC 2.5)

EXHAUST EX(H4DOTC 2.5)

COOLING CO(H4DOTC 2.5)

LUBRICATION LU(H4DOTC 2.5)

SPEED CONTROL SYSTEM SP(H4DOTC 2.5)

IGNITION IG(H4DOTC 2.5)

STARTING/CHARGING SYSTEM SC(H4DOTC 2.5)

ENGINE (DIAGNOSTIC) EN(H4DOTC 2.5)

SPEED CONTROL SYSTEM

SP(H4DOTC 2.5)

	Page
1. General Description	2
2. Accelerator Pedal.....	4

General Description

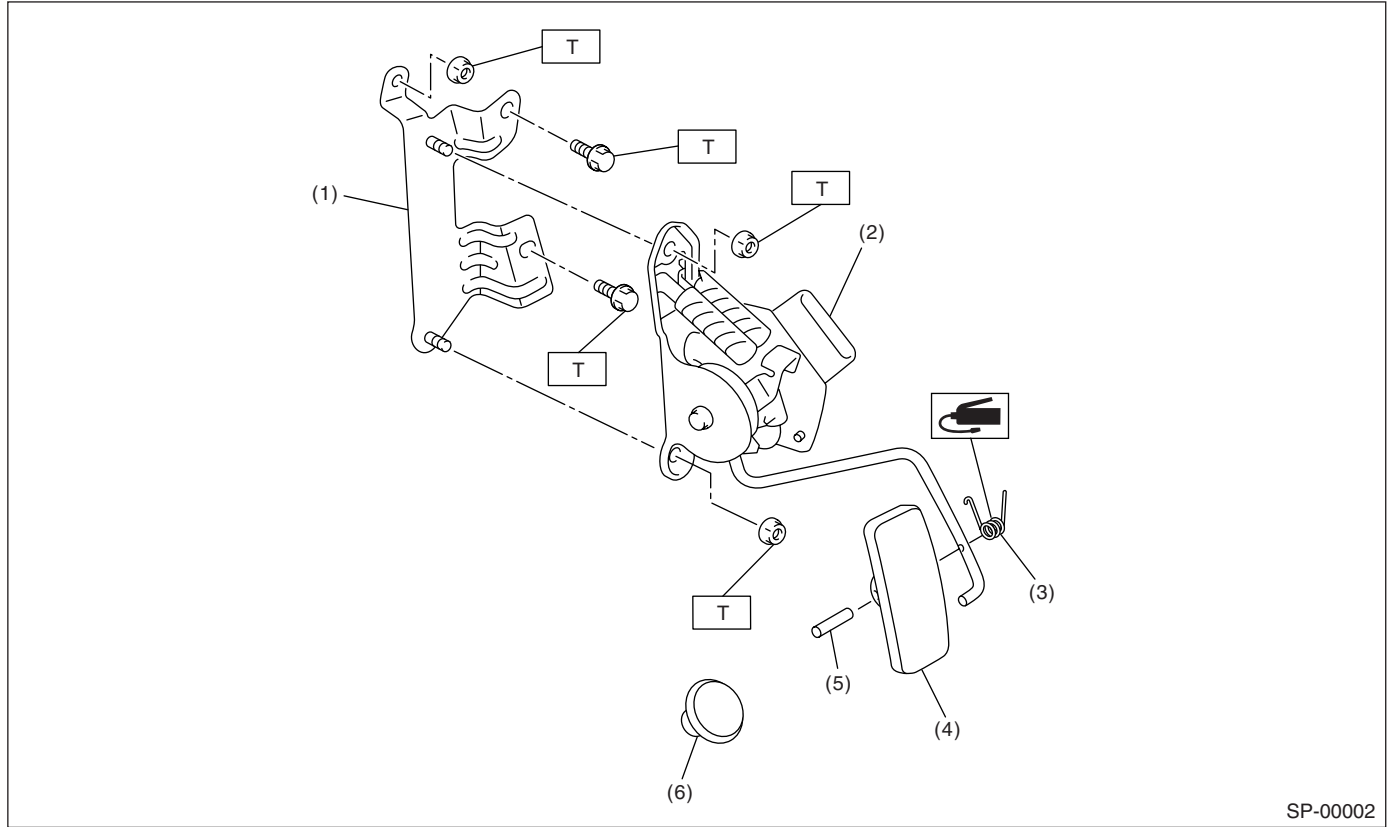
SPEED CONTROL SYSTEM

1. General Description

A: SPECIFICATION

Accelerator pedal	Free play	At pedal pad	0 — 4 mm (0 — 0.16 in)
	Stroke	At pedal pad	52 — 57 mm (2.05 — 2.24 in)

B: COMPONENT



SP-00002

- | | |
|-------------------------------|-------------------------|
| (1) Accelerator pedal bracket | (4) Accelerator pedal |
| (2) Accelerator pedal ASSY | (5) Spring pin |
| (3) Accelerator pedal spring | (6) Accelerator stopper |

Tightening torque: N·m (kgf·m, ft·lb)

T: 18 (1.8, 13.0)

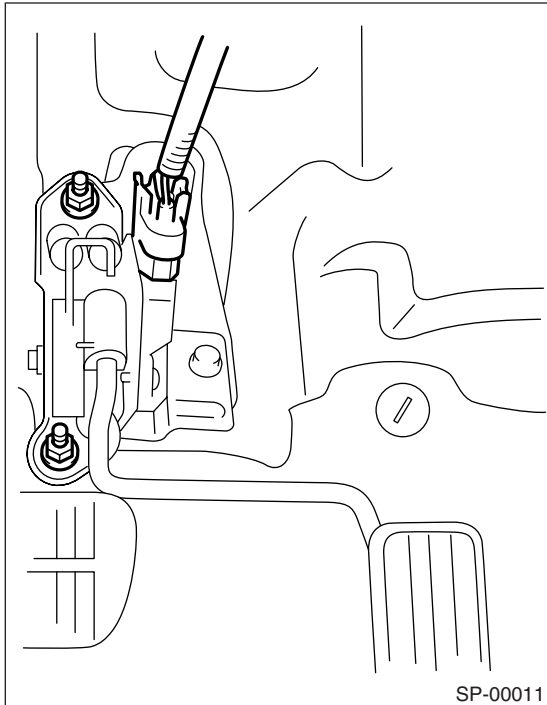
C: CAUTION

- Wear work clothing, including a cap, protective goggles, and protective shoes during operation.
- Remove contamination, including dirt and corrosion, before removal, installation or disassembly.
- Keep the disassembled parts in order and protect them from dust and dirt.
- Before removal, installation or disassembly, be sure to clarify the failure. Avoid unnecessary removal, installation, disassembly, and replacement.
- Be careful not to burn your hands, because each part in the vehicle is hot after running.
- Be sure to tighten fasteners including bolts and nuts to the specified torque.
- Place shop jacks or rigid racks at the specified points.
- Before disconnecting electrical connectors of sensors or units, be sure to disconnect the ground cable from battery.

2. Accelerator Pedal

A: REMOVAL

- 1) Disconnect the ground cable from battery.
- 2) Disconnect the connector.
- 3) Remove the nuts which securing accelerator pedal assembly.



B: INSTALLATION

Install in the reverse order of removal.

Tightening torque:

18 N·m (1.8 kgf·m, 13.0 ft·lb)

C: DISASSEMBLY

NOTE:

Accelerator pedal for 2.5 L model is a non-disassemble part.