

BODY SECTION

This service manual has been prepared to provide SUBARU service personnel with the necessary information and data for the correct maintenance and repair of SUBARU vehicles.

This manual includes the procedures for maintenance, disassembling, reassembling, inspection and adjustment of components and diagnostics for guidance of experienced mechanics.

Please peruse and utilize this manual fully to ensure complete repair work for satisfying our customers by keeping their vehicle in optimum condition. When replacement of parts during repair work is needed, be sure to use SUBARU genuine parts.

All information, illustration and specifications contained in this manual are based on the latest product information available at the time of publication approval.

HVAC SYSTEM (HEATER, VENTILATOR AND A/C)	AC
HVAC SYSTEM (AUTO A/C) (DIAGNOSTIC)	AC
AIRBAG SYSTEM	AB
AIRBAG SYSTEM (DIAGNOSTIC)	AB
SEAT BELT SYSTEM	SB
LIGHTING SYSTEM	LI
WIPER AND WASHER SYSTEM	WW
ENTERTAINMENT	ET
COMMUNICATION SYSTEM	COM
GLASS/WINDOW/MIRROR	GW
BODY STRUCTURE	BS
INSTRUMENTATION/DRIVER INFO	IDI
SEAT	SE
SECURITY AND LOCK	SL
SUNROOF/T-TOP/CONVERTIBLE TOP (SUNROOF)	SR
EXTERIOR/INTERIOR TRIM	EI
EXTERIOR BODY PANEL	EB

BODY SECTION

CRUISE CONTROL SYSTEM CC

CRUISE CONTROL SYSTEM (DIAGNOSTIC) CC(H4SO)

CRUISE CONTROL SYSTEM (DIAGNOSTIC) CC(H4DOTC)

CRUISE CONTROL SYSTEM (DIAGNOSTIC) CC(H4DOTC 2.5)

IMMOBILIZER (DIAGNOSTIC) IM

LIGHTING SYSTEM



	Page
1. General Description	2
2. Headlight and Tail Light System	3
3. Front Fog Light System	4
4. Rear Fog Light System	5
5. Turn Signal Light and Hazard Light System	6
6. Back-up Light System	7
7. Stop Light System	8
8. Room Light System	9
9. Headlight Beam Leveler System	10
10. Combination Switch (Light)	11
11. Headlight Assembly	13
12. Headlight Bulb	16
13. Front Turn Signal Light Bulb	17
14. Clearance Light Bulb	18
15. Front Fog Light Assembly	19
16. Front Fog Light Bulb	20
17. Rear Combination Light Assembly	21
18. Tail/Stop Light Bulb	22
19. Back-up Light Bulb	23
20. Rear Turn Signal Light Bulb	24
21. Rear Fog Light Bulb	25
22. License Plate Light	26
23. High-mounted Stop Light	27
24. Side Turn Signal Light	28
25. Spot Map Light	29
26. Room Light	30
27. Luggage Room Light	31
28. Glove Box Light	32

General Description

LIGHTING SYSTEM

1. General Description

A: SPECIFICATION

Headlight		12 V — 55 W/60 W
Front turn signal light		12 V — 21 W
Clearance light		12 V — 5 W
Side marker light		12 V — 5 W
Front fog light		12 V — 55 W
Rear combination light	Tail/Stop light	12 V — 5/21 W
	Turn signal light	12 V — 21 W
	Back-up light	12 V — 16 W
License plate light		12 V — 5 W
High-mounted stop light	Standard type	12 V — 13 W
	Rear spoiler built-in type	12 V — 1.2 W
Room light		12 V — 8 W
Spot light		12 V — 8 W
Luggage room light		12 V — 5 W

B: PRECAUTIONS

- Before removing and installing parts, always disconnect the battery ground cable. When replacing audio, control module, and other parts provided with memory functions, record memory contents before disconnecting the battery ground cable. Otherwise, the memory will be erased.
- Reassemble in reverse order of disassembly, unless otherwise indicated.
- Adjust parts to the given specifications.
- Connect the connectors and hoses securely during reassembly.
- After reassembly, make sure functional parts operate smoothly.

WARNING:

- **Airbag system wiring harness is routed near electrical parts and switches. All airbag system wiring harnesses and connectors are yellow. Do not use electric test equipment on these circuits.**
- **Be careful not to damage the airbag system wiring harness when servicing electrical parts and switches.**

C: PREPARATION TOOL

1. GENERAL TOOL

TOOL NAME	REMARKS
Circuit tester	Used for measuring resistance and voltage.

2. Headlight and Tail Light System

A: WIRING DIAGRAM

1. HEADLIGHT

<Ref. to WI-221, WIRING DIAGRAM, Headlight System.>

2. CLEARANCE LIGHT AND ILLUMINATION LIGHT

<Ref. to WI-210, WIRING DIAGRAM, Clearance Light and Illumination Light System.>

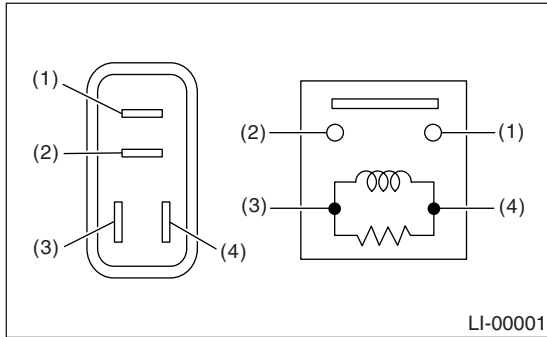
B: INSPECTION

1. HEADLIGHT SWITCH

<Ref. to LI-11, INSPECTION, Combination Switch (Light).>

2. HEADLIGHT RELAY

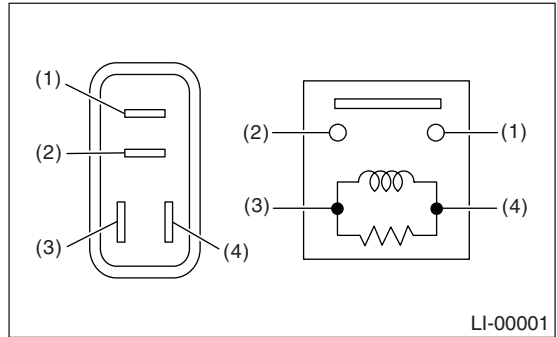
Measure the headlight relay resistance between terminals when connecting terminal No. 4 to battery positive terminal and terminal No. 3 to battery ground terminal.



Current Flow	Terminal No.	Standard
Flow	1 and 2	Less than 1 Ω
No flow		More than 1 MΩ

3. TAIL AND ILLUMINATION RELAY

Measure the tail and illumination relay resistance between terminals when connecting terminal No. 4 to battery positive terminal and terminal No. 3 to battery ground terminal.



Current Flow	Terminal No.	Standard
Flow	1 and 2	Less than 1 Ω
No flow		More than 1 MΩ

3. Front Fog Light System

A: WIRING DIAGRAM

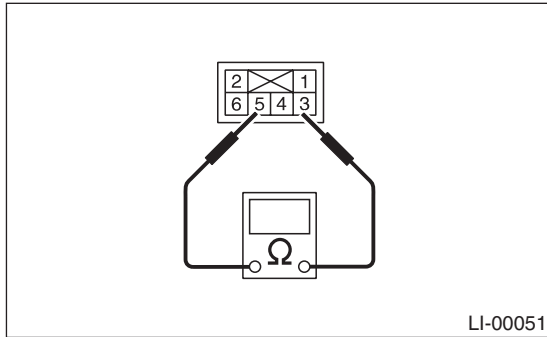
1. FRONT FOG LIGHT

<Ref. to WI-219, WIRING DIAGRAM, Front Fog Light System.>

B: INSPECTION

1. FRONT FOG LIGHT SWITCH

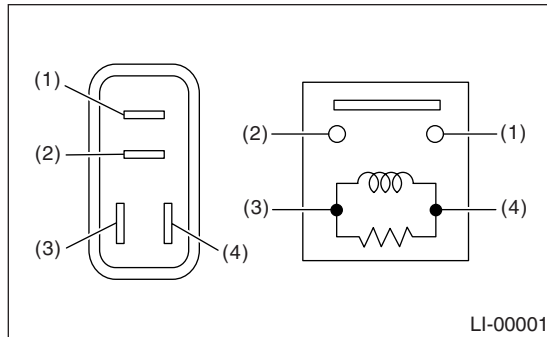
Measure the resistance between front fog light switch terminals.



Switch position	Terminal No.	Standard
OFF	3 and 5	More than 1 MΩ
ON		Less than 1 Ω

2. FRONT FOG LIGHT RELAY

Measure the front fog light relay resistance between terminals when connecting terminal No. 4 to battery positive terminal and terminal No. 3 to battery ground terminal.



Current	Terminal No.	Standard
Flow	1 and 2	Less than 1 Ω
No flow		More than 1 MΩ

4. Rear Fog Light System

A: WIRING DIAGRAM

1. REAR FOG LIGHT

<Ref. to WI-249, WIRING DIAGRAM, Rear Fog Light System.>

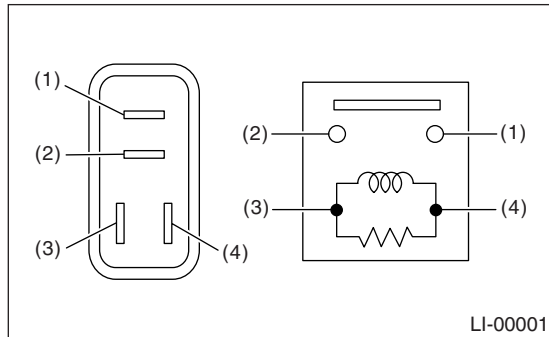
B: INSPECTION

1. REAR FOG LIGHT SWITCH

- 1) Turn the ignition switch to ON.
- 2) Turn on the headlight or front fog light.
- 3) Push the rear fog light switch and check if the rear fog light turns on.

2. REAR FOG LIGHT RELAY

Measure the rear fog light relay resistance between terminals when connecting terminal No. 4 to battery positive terminal and terminal No. 3 to battery ground terminal.



Current	Terminal No.	Standard
Flow	1 and 2	Less than 1 Ω
No flow		More than 1 M Ω

Turn Signal Light and Hazard Light System

LIGHTING SYSTEM

5. Turn Signal Light and Hazard Light System

A: WIRING DIAGRAM

1. TURN SIGNAL LIGHT AND HAZARD LIGHT

<Ref. to WI-229, WIRING DIAGRAM, Turn Signal Light and Hazard Light System.>

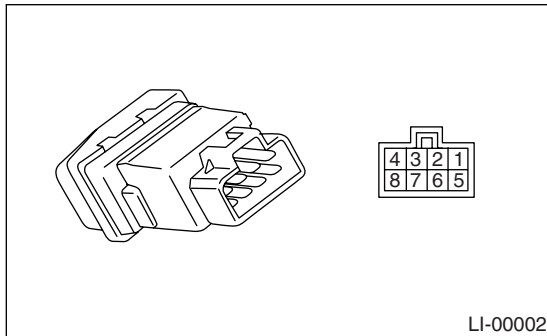
B: INSPECTION

1. TURN SIGNAL SWITCH

<Ref. to LI-11, INSPECTION, Combination Switch (Light).>

2. HAZARD SWITCH

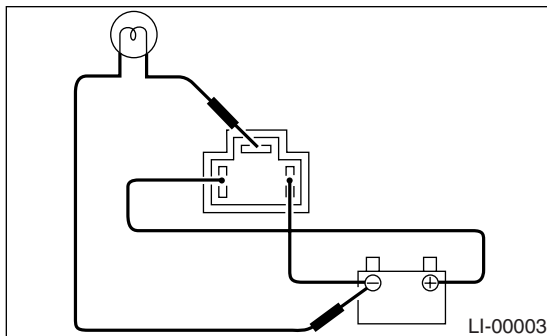
Measure the resistance between hazard switch terminals.



Switch position	Terminal No.	Standard
OFF	6 and 7	Less than 1 Ω
ON	1, 3 and 4	Less than 1 Ω
	7 and 8	Less than 1 Ω

3. TURN SIGNAL AND HAZARD MODULE

Connect the battery and the turn signal light bulb to module, as shown in the figure. The module is properly functioning if it blinks when power is supplied to the circuit.



6. Back-up Light System

A: WIRING DIAGRAM

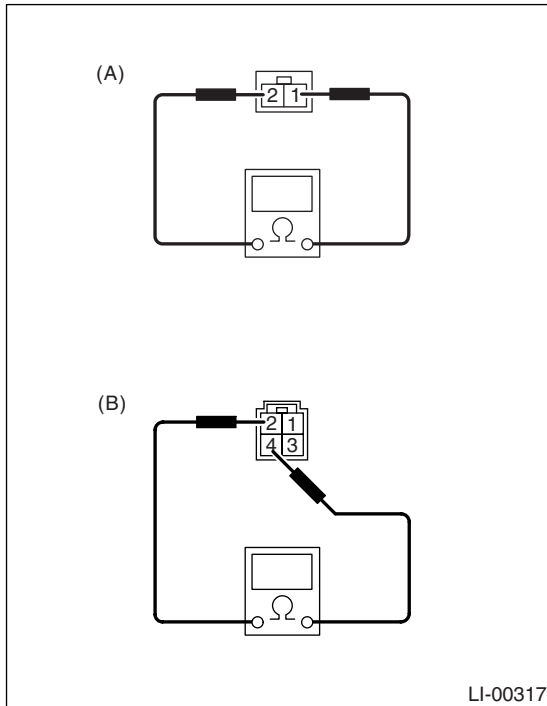
1. BACK-UP LIGHT

<Ref. to WI-209, WIRING DIAGRAM, Back-up Light System.>

B: INSPECTION

1. BACK-UP LIGHT SWITCH (MT MODEL)

Measure the resistance between back-up light switch terminals.



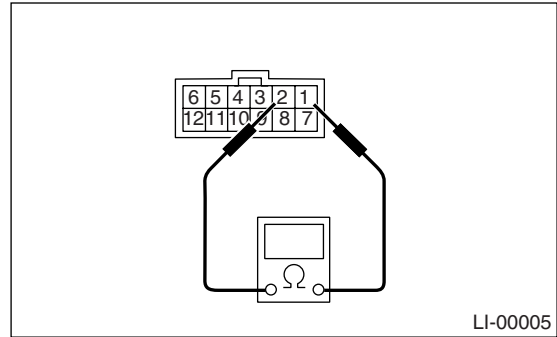
(A) Non-turbo model

(B) Turbo model

Switch position	Terminal No.	Standard
When shift lever is set in reverse position	Non-turbo model: 1 and 2 Turbo model: 2 and 4	Less than 1 Ω
Other positions		More than 1 MΩ

2. INHIBITOR SWITCH (AT MODEL)

Measure the resistance between inhibitor switch terminals.



Switch position	Terminal No.	Standard
When select lever is set in "R" range	1 and 2	Less than 1 Ω
Other positions		More than 1 MΩ

7. Stop Light System

A: WIRING DIAGRAM

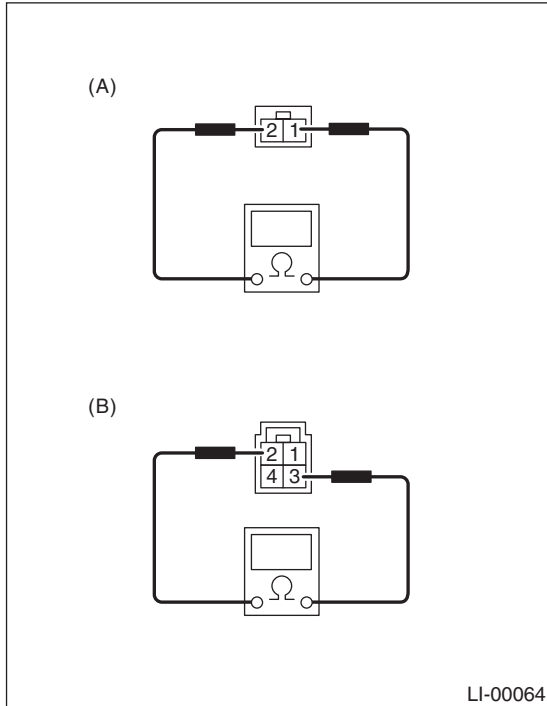
1. STOP LIGHT

<Ref. to WI-228, WIRING DIAGRAM, Stop Light System.>

B: INSPECTION

1. STOP LIGHT SWITCH

Measure the resistance between stop light switch terminals.



(A) Without cruise control

(B) With cruise control

Switch position	Terminal No.	Standard
When brake pedal is depressed	1 and 2: Without cruise control	Less than 1 Ω
When brake pedal is released	2 and 3: With cruise control	More than 1 M Ω

8. Room Light System

A: WIRING DIAGRAM

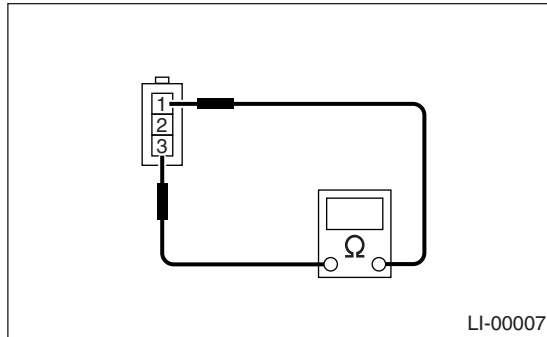
1. ROOM LIGHT

<Ref. to WI-224, WIRING DIAGRAM, In Compartment Light System.>

B: INSPECTION

1. DOOR SWITCH

Measure the resistance between door switch terminals.



Switch position	Terminal No.	Standard
When door is open	1 and 3	Less than 1 Ω
When door is closed		More than 1 MΩ

2. REAR GATE LATCH SWITCH

Measure the resistance between rear gate latch switch terminals.

Switch position	Terminal No.	Standard
When rear gate is open	1 and 2	Less than 1 Ω
When rear gate is closed		More than 1 MΩ

9. Headlight Beam Leveler System

A: WIRING DIAGRAM

1. HEADLIGHT BEAM LEVELER

<Ref. to WI-191, WIRING DIAGRAM, Headlight Beam Leveler System.>

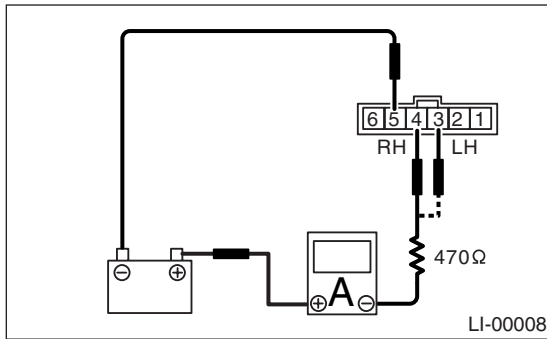
B: INSPECTION

1. HEADLIGHT BEAM LEVELER ACTUATOR

- 1) Turn on the headlights.
- 2) Confirm the headlight beam level is lowered by changing the switch position to 0 → 1 → 2 → 3 → 4 → 5.

2. HEADLIGHT BEAM LEVELER SWITCH

Connect the battery, headlight beam leveler switch connector, circuit tester and resistor (470 Ω) as shown in the figure. Measure the current at each switch position.

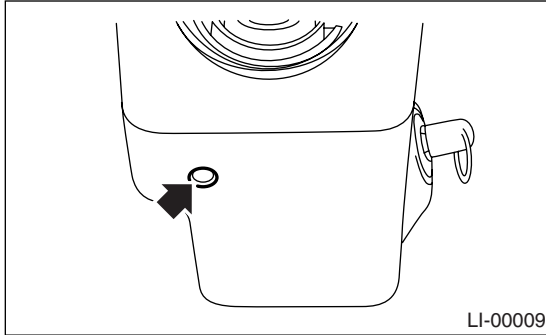


Switch position	Current (mA)
0	3.8
1	7.0
2	9.8
3	14.7
4	20.3
5	25.5

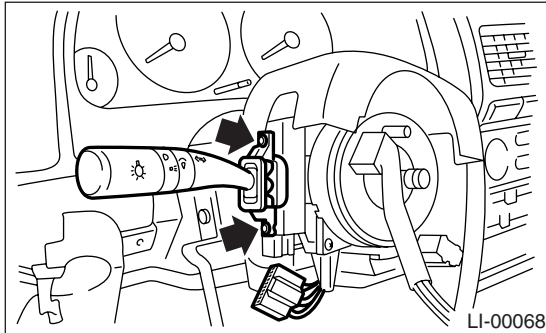
10. Combination Switch (Light)

A: REMOVAL

- 1) Disconnect the ground cable from battery.
- 2) Remove the instrument panel lower cover. <Ref. to EI-40, REMOVAL, Instrument Panel Assembly.>
- 3) Remove the screw which secure upper column cover to lower column cover.



- 4) Disconnect the connector from combination switch.
- 5) Remove the screws which secure switch, and then remove the switch.

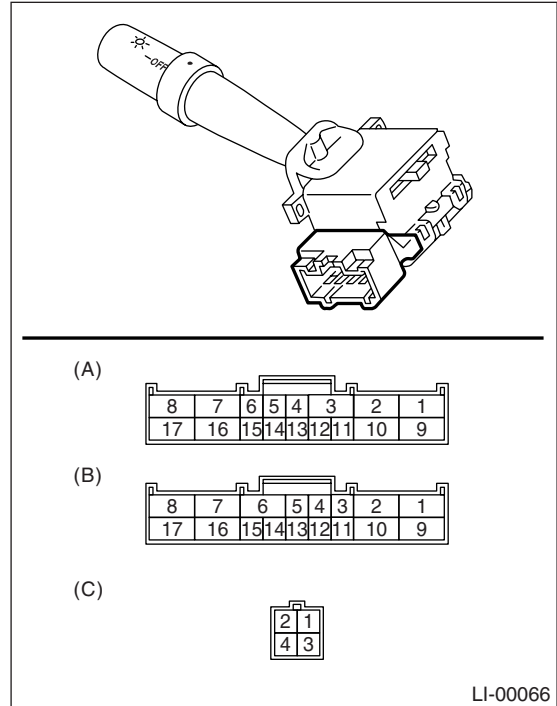


B: INSTALLATION

Install in the reverse order of removal.

C: INSPECTION

Measure the combination switch resistance.



- (A) Lighting & turn signal switch connector (LHD and RHD model with rear fog light)
- (B) Lighting & turn signal switch connector (RHD model without rear fog light)
- (C) Parking switch connector

1. LIGHTING SWITCH

LHD and RHD model with rear fog light:

Switch position	Terminal No.	Standard
OFF	—	More than 1 MΩ
Tail	14 and 16	Less than 1 Ω
Head	13, 14 and 16	Less than 1 Ω

RHD model without rear fog light:

Switch position	Terminal No.	Standard
OFF	—	More than 1 MΩ
Tail	9 and 15	Less than 1 Ω
Head	9, 14 and 15	Less than 1 Ω

Combination Switch (Light)

LIGHTING SYSTEM

2. DIMMER AND PASSING SWITCH

LHD and RHD model with rear fog light:

Switch position	Terminal No.	Standard
Passing	7, 8 and 16	Less than 1 Ω
Low beam	16 and 17	Less than 1 Ω
High beam	7 and 16	Less than 1 Ω

RHD model without rear fog light:

Switch position	Terminal No.	Standard
Passing	1, 2 and 9	Less than 1 Ω
Low beam	9 and 10	Less than 1 Ω
High beam	2 and 9	Less than 1 Ω

3. TURN SIGNAL SWITCH

LHD and RHD with rear fog light:

Switch position	Terminal No.	Standard
Left	1 and 2	Less than 1 Ω
Neutral	—	More than 1 M Ω
Right	2 and 3	Less than 1 Ω

RHD model without rear fog light:

Switch position	Terminal No.	Standard
Left	6 and 7	Less than 1 Ω
Neutral	—	More than 1 M Ω
Right	7 and 8	Less than 1 Ω

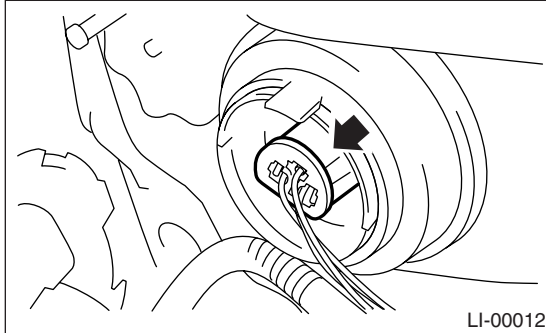
4. PARKING SWITCH

Switch position	Terminal No.	Standard
OFF	2 and 4	Less than 1 Ω
ON	1 and 4	Less than 1 Ω

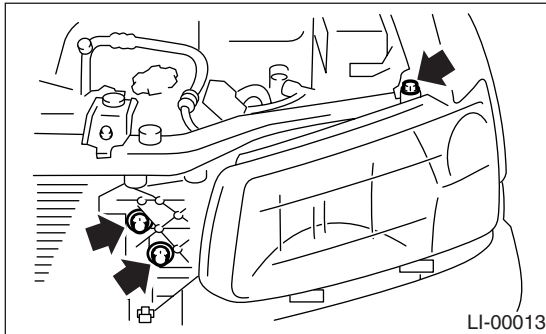
11. Headlight Assembly

A: REMOVAL

- 1) Disconnect the ground cable from battery.
- 2) Remove the air intake duct (when removing the headlight RH). <Ref. to IN(H4SO)-7, REMOVAL, Air Intake Duct.>
- 3) Remove the front grille and headlight side cover. <Ref. to EI-18, REMOVAL, Front Grille.> <Ref. to EI-23, REMOVAL, Front Bumper.>
- 4) Disconnect the headlight bulb connector.



- 5) Remove the three bolts, and disconnect the connectors, and then detach the headlight assembly.



B: INSTALLATION

Install in the reverse order of removal.

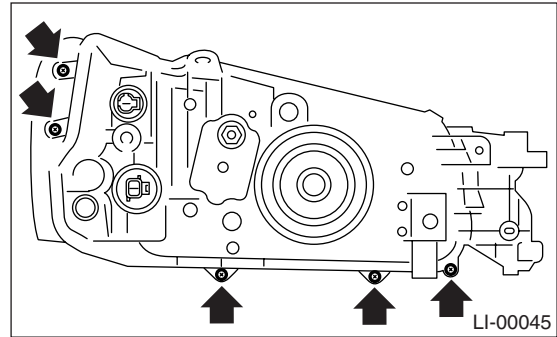
C: DISASSEMBLY

CAUTION:

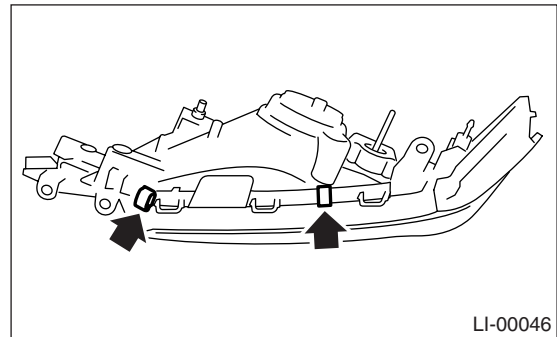
- Do not touch the bulb glass portion.
- Do not touch inside the lens (extension portion) or reflector portion.
- Replace the packing with a new one.

- 1) Remove the headlight assembly. <Ref. to LI-13, REMOVAL, Headlight Assembly.>

- 2) Remove the five screws.



- 3) Remove the two clips.

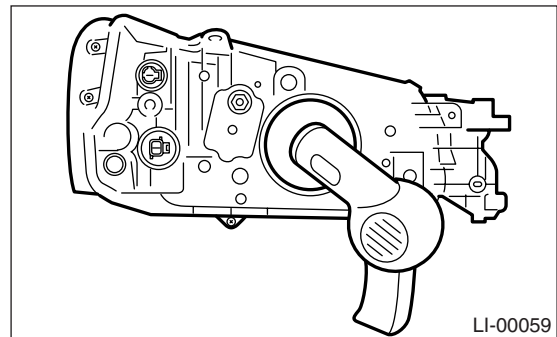


- 4) Remove the rubber cap, and then detach the bulb.

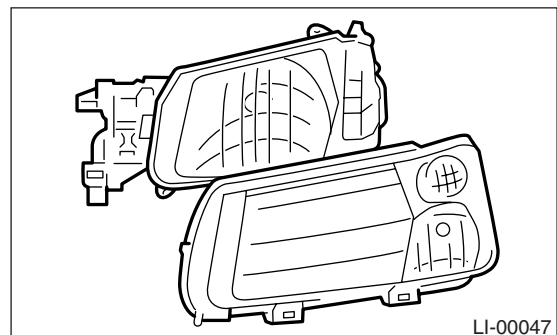
- 5) Heat the seal portion using a dryer through the bulb mounting hole.

CAUTION:

Avoid heating one specific point of the seal portion and heating the headlight assembly to 120°C (248°F) or more.



- 6) Unhook the hook, and then take the lens off the headlight assembly.



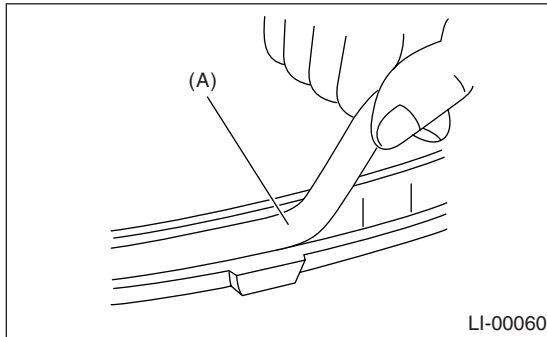
Headlight Assembly

LIGHTING SYSTEM

7) Remove the packing (A) from seal groove.

CAUTION:

Completely remove the packing not to leave any chips behind.



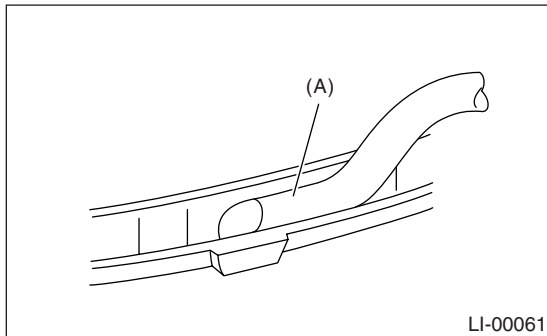
(A) Packing

D: ASSEMBLY

- 1) Cut the tip of packing (A) at an angle of 45°.
- 2) With the cut end facing upward, insert the packing (A) into groove around seal.

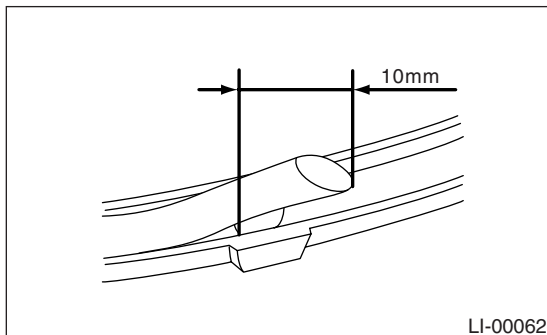
CAUTION:

- If the packing protrudes, slowly take it off the groove.
- Do not stretch the packing. If the packing is stretched, seal fails.



(A) Packing

3) After making a round of the seal, cut its tip at an angle of 45°, with its length 10 mm (0.39 in) longer than the circumference of seal so that the tip overlaps the other. Then, press it onto the seal, using a screwdriver.



LI-00062

4) Match the positions of the lens and headlight assembly, and then insert the lens into headlight assembly.

5) Secure the hook, and then install the clip and screw.

6) Put the seal portion of headlight assembly into the water and check that water does not enter inside the headlight.

CAUTION:

Be sure that water does not enter inside the headlight through the bulb socket or ventilation hole.

E: ADJUSTMENT

1. HEADLIGHT AIMING

CAUTION:

Turn off the light before adjusting headlight aiming. If the light is necessary to check aiming, do not turn on for more than two minutes.

NOTE:

Before checking the headlight aiming, be sure of the following:

- The area around the headlight has not sustained any accident, damage or other type of deformation.
- Vehicle is parked on a level surface.
- The inflation pressure of tires is correct.
- Vehicle's fuel tank is fully charged.

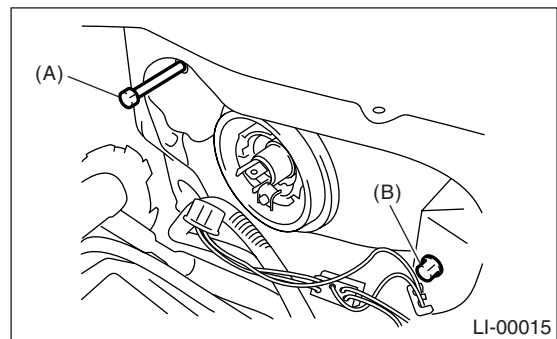
1) Bounce the vehicle several times to normalize the suspension.

2) Make certain that someone is seated in the driver's seat.

3) Turn the headlights on and then adjust the low beam pattern by following positions on the screen.

NOTE:

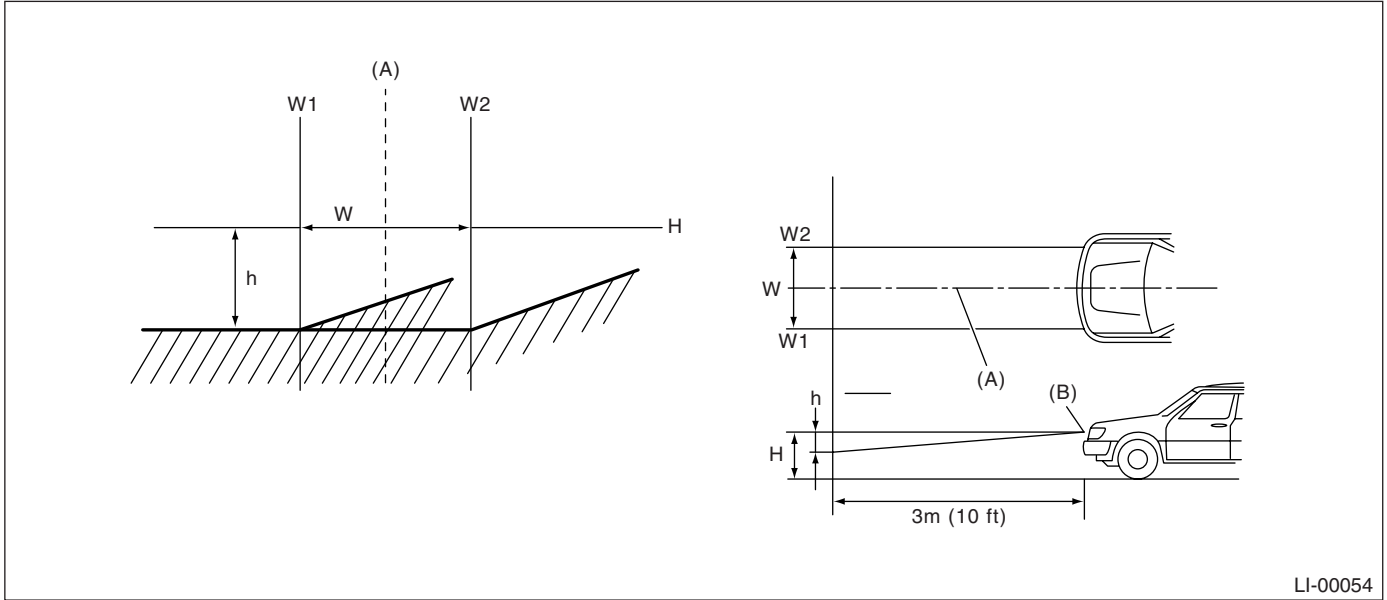
- Set the headlight beam leveler switch to "0" position.
- Adjust the vertical aim (A) first, then horizontal aim (B).



LI-00015

Headlight Assembly

- This illustration is for LHD model. The pattern for RHD model is symmetrically opposite.



LI-00054

(A) Vehicle center

(B) Bulb center

W mm (in)	H mm (in)	h mm (in) at 3 m (10 ft)
1,140 (44.88)	733 (28.9)	30 (1.18)

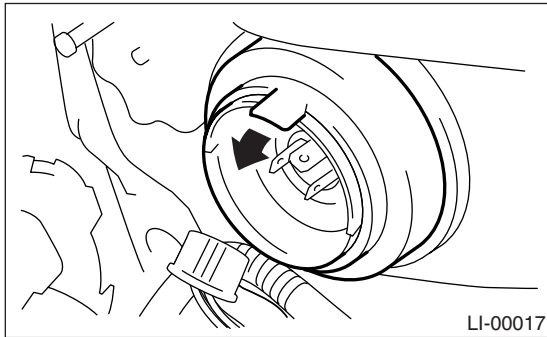
12. Headlight Bulb

A: REMOVAL

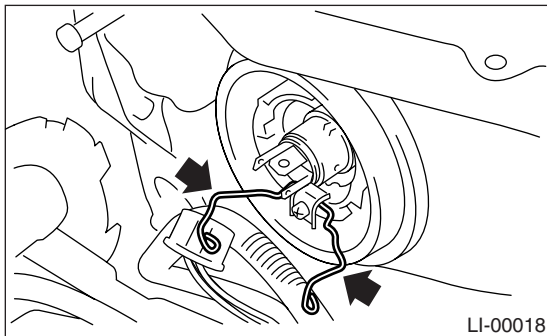
CAUTION:

- Because the halogen bulb operates at a high temperature, dirt and oil on the bulb surface reduces the bulb's service life. Hold the flange portion when replacing the bulb. Never touch the glass portion.
- Do not leave the headlight without a bulb for a long time. Dust, moisture, etc. entering the headlight may affect its performance.

- 1) Disconnect the ground cable from battery.
- 2) Remove the air intake duct (when removing the headlight RH).
- 3) Disconnect the harness connector.
- 4) Remove the rubber cap.



- 5) Remove the light bulb retaining spring to remove the bulb.



B: INSTALLATION

Install in the reverse order of removal.

CAUTION:

Attach the rubber cap with letters TOP on the top so the drain hole will be on the lower side.

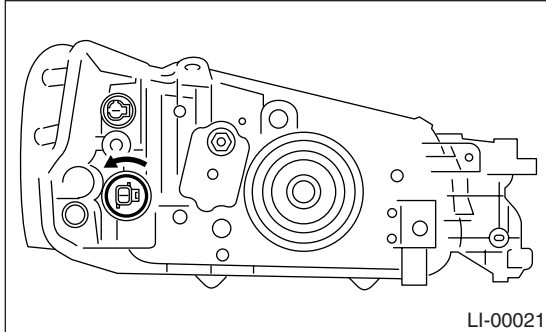
C: INSPECTION

- 1) Visually check the bulb for blow out.
- 2) Check the bulb specification. <Ref. to LI-2, SPECIFICATION, General Description.>
- 3) If NG, replace the bulb with a new one.

13. Front Turn Signal Light Bulb

A: REMOVAL

- 1) Remove the headlight assembly. <Ref. to LI-13, REMOVAL, Headlight Assembly.>
- 2) Turn the socket and remove the bulb.



B: INSTALLATION

Install in the reverse order of removal.

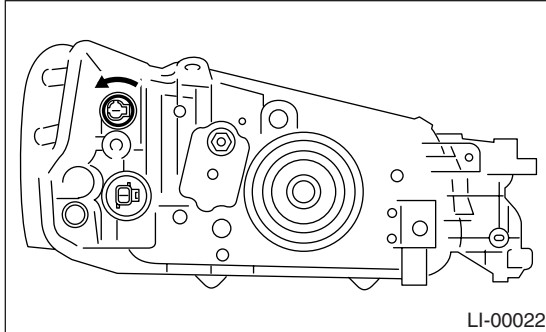
C: INSPECTION

- 1) Visually check the bulb for blow out.
- 2) Check the bulb specification. <Ref. to LI-2, SPECIFICATION, General Description.>
- 3) If NG, replace the bulb with a new one.

14. Clearance Light Bulb

A: REMOVAL

- 1) Remove the headlight assembly. <Ref. to LI-13, REMOVAL, Headlight Assembly.>
- 2) Turn the socket and remove the bulb.



B: INSTALLATION

Install in the reverse order of removal.

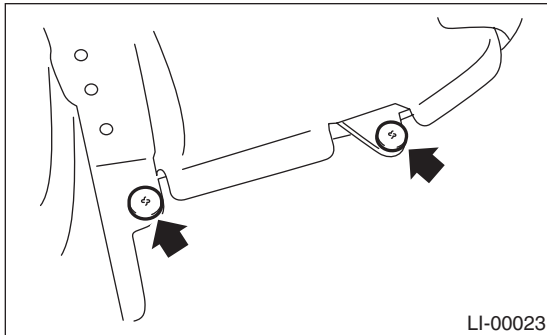
C: INSPECTION

- 1) Visually check the bulb for blow out.
- 2) Check the bulb specification. <Ref. to LI-2, SPECIFICATION, General Description.>
- 3) If NG, replace the bulb with a new one.

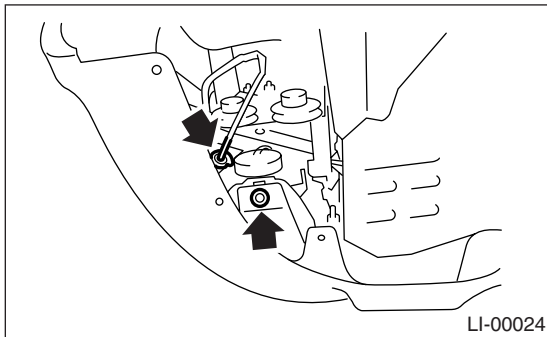
15. Front Fog Light Assembly

A: REMOVAL

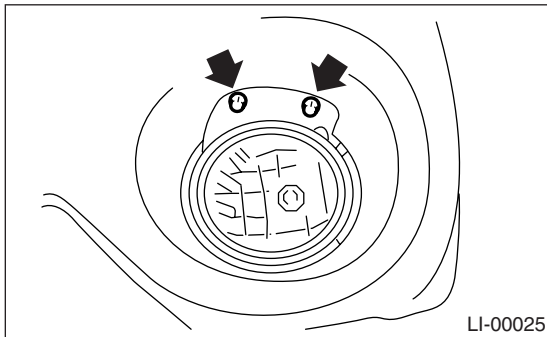
- 1) Disconnect the ground cable from battery.
- 2) Remove the two clips and lower mudguard.



- 3) Disconnect the harness connector.
- 4) Remove the lower bolts.



- 5) Remove the mounting bolts and clip, and then detach the fog light assembly.



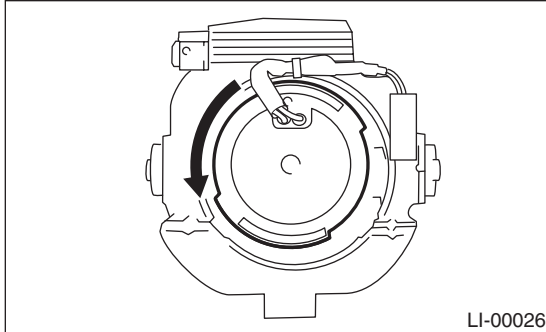
B: INSTALLATION

Install in the reverse order of removal.

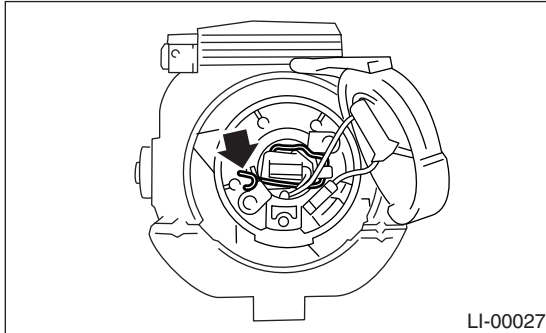
16. Front Fog Light Bulb

A: REMOVAL

- 1) Remove the front fog light assembly. <Ref. to LI-19, REMOVAL, Front Fog Light Assembly.>
- 2) Remove the back cover.



- 3) Remove the spring retainer, and then detach the fog light bulb.



B: INSTALLATION

Install in the reverse order of removal.

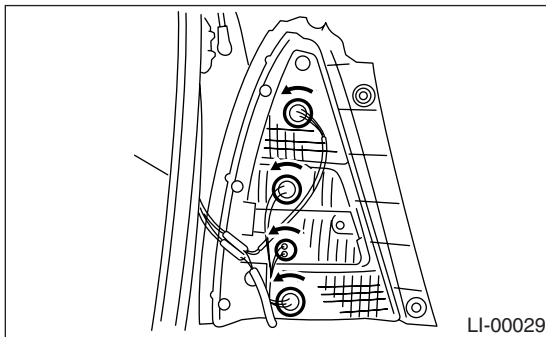
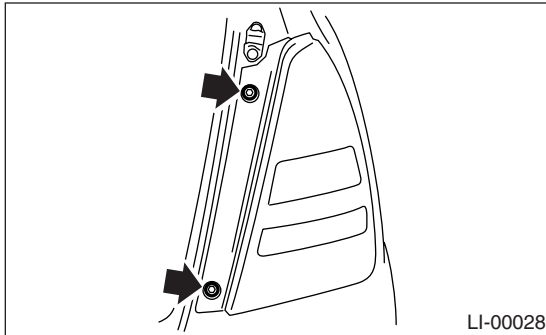
C: INSPECTION

- 1) Visually check the bulb for blow out.
- 2) Check the bulb specification. <Ref. to LI-2, SPECIFICATION, General Description.>
- 3) If NG, replace the bulb with a new one.

17. Rear Combination Light Assembly

A: REMOVAL

- 1) Disconnect the ground cable from battery.
- 2) Remove the two bolts, and then turn the socket and disconnect cord assembly to remove rear combination light.



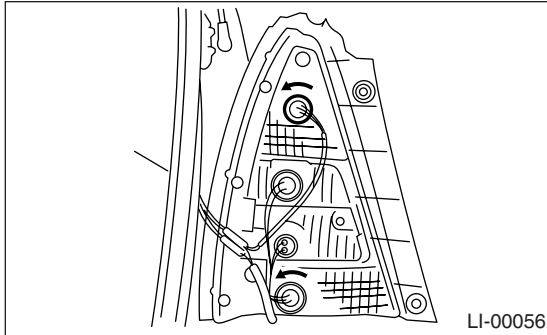
B: INSTALLATION

Install in the reverse order of removal.

18. Tail/Stop Light Bulb

A: REMOVAL

- 1) Remove the rear combination light assembly. <Ref. to LI-21, REMOVAL, Rear Combination Light Assembly.>
- 2) Turn the socket and remove the bulb.



B: INSTALLATION

Install in the reverse order of removal.

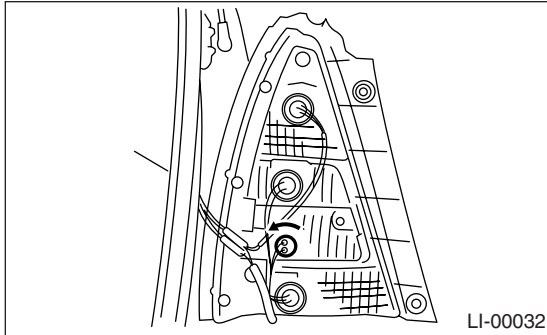
C: INSPECTION

- 1) Visually check the bulb for blow out.
- 2) Check the bulb specification. <Ref. to LI-2, SPECIFICATION, General Description.>
- 3) If NG, replace the bulb with a new one.

19. Back-up Light Bulb

A: REMOVAL

- 1) Remove the rear combination light assembly.
<Ref. to LI-21, REMOVAL, Rear Combination Light Assembly.>
- 2) Turn the socket and remove the bulb.



B: INSTALLATION

Install in the reverse order of removal.

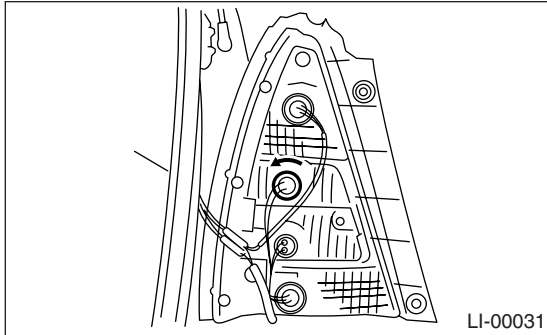
C: INSPECTION

- 1) Visually check the bulb for blow out.
- 2) Check the bulb specification. <Ref. to LI-2, SPECIFICATION, General Description.>
- 3) If NG, replace the bulb with a new one.

20.Rear Turn Signal Light Bulb

A: REMOVAL

- 1) Remove the rear combination light assembly.
<Ref. to LI-21, REMOVAL, Rear Combination Light Assembly.>
- 2) Turn the socket and remove the bulb.



B: INSTALLATION

Install in the reverse order of removal.

C: INSPECTION

- 1) Visually check the bulb for blow out.
- 2) Check the bulb specification. <Ref. to LI-2, SPECIFICATION, General Description.>
- 3) If NG, replace the bulb with a new one.

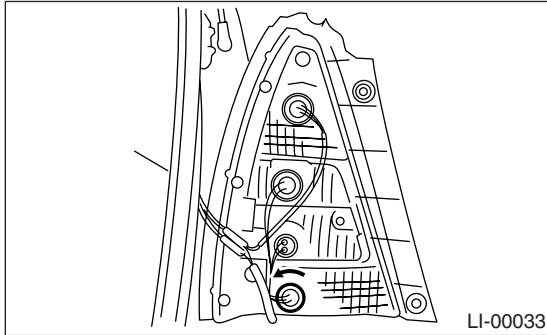
21.Rear Fog Light Bulb

A: REMOVAL

NOTE:

Rear fog light bulb is attached only to driver's side combination light.

- 1) Remove the rear combination light assembly. <Ref. to LI-21, REMOVAL, Rear Combination Light Assembly.>
- 2) Turn the socket and remove the bulb.



B: INSTALLATION

Install in the reverse order of removal.

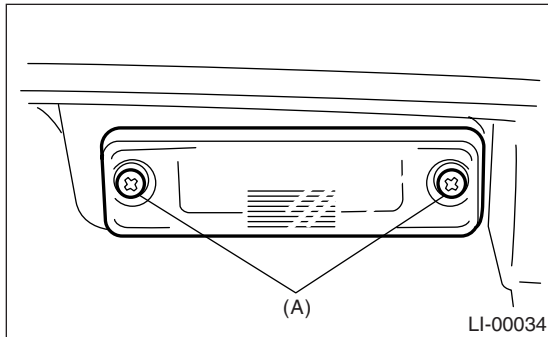
C: INSPECTION

- 1) Visually check the bulb for blow out.
- 2) Check the bulb specification. <Ref. to LI-2, SPECIFICATION, General Description.>
- 3) If NG, replace the bulb with a new one.

22. License Plate Light

A: REMOVAL

- 1) Remove the license plate light mounting screw (A), and then remove the lens.



- 2) Remove the bulb.

B: INSTALLATION

Install in the reverse order of removal.

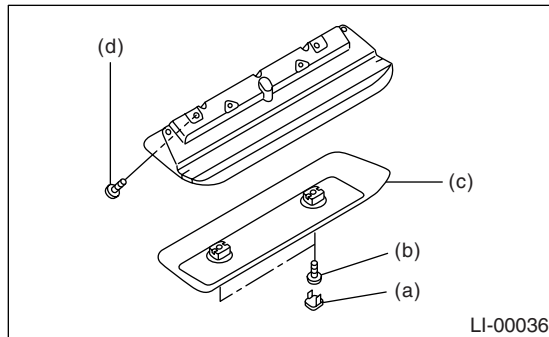
C: INSPECTION

- 1) Visually check the bulb for blow out.
- 2) Check the bulb specification. <Ref. to LI-2, SPECIFICATION, General Description.>
- 3) If NG, replace the bulb with a new one.

23.High-mounted Stop Light

A: REMOVAL

- 1) Disconnect the ground cable from battery.
- 2) Remove the cap (a) by prying on the edge with screwdriver.
- 3) Remove the screws (b), and then detach the cover (c).
- 4) Remove the screws (d), disconnect the connector, and then detach the high-mounted stop light.



B: INSTALLATION

Install in the reverse order of removal.

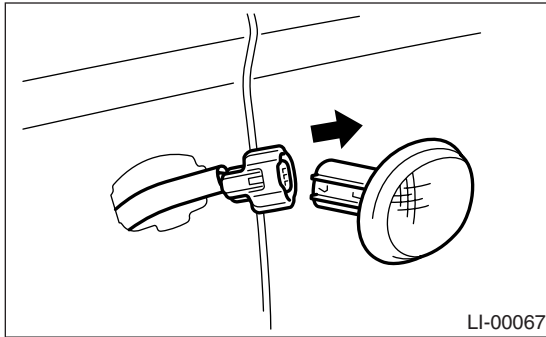
C: INSPECTION

- 1) Visually check the bulb for blow out.
- 2) Check the bulb specification. <Ref. to LI-2, SPECIFICATION, General Description.>
- 3) If NG, replace the bulb with a new one.

24.Side Turn Signal Light

A: REMOVAL

- 1) Disconnect the ground cable from battery.
- 2) Pull out the light from body while pushing it in direction of vehicle front.
- 3) Disconnect the harness connector and remove the light.



B: INSTALLATION

Install in the reverse order of removal.

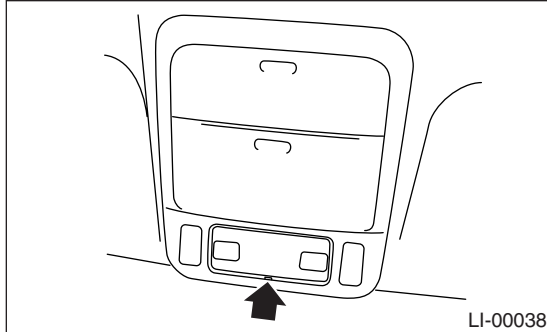
C: INSPECTION

- 1) Check the bulb for blow out using tester.
- 2) If NG, replace the side turn signal light assembly with a new one.

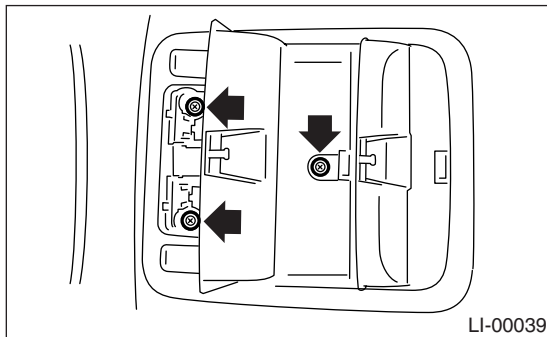
25. Spot Map Light

A: REMOVAL

- 1) Disconnect the ground cable from battery.
- 2) Insert a flat tip screwdriver to the slot of lens, and then pry the lens to remove.



- 3) Remove the spot map light installation screws.



- 4) Disconnect the harness connectors and remove the spot map light.

B: INSTALLATION

Install in the reverse order of removal.

C: INSPECTION

1. SPOT MAP LIGHT BULB

- 1) Visually check the bulb for blow out.
- 2) Check the bulb specification. <Ref. to LI-2, SPECIFICATION, General Description.>
- 3) If NG, replace the bulb with a new one.

2. SPOT MAP LIGHT SWITCH

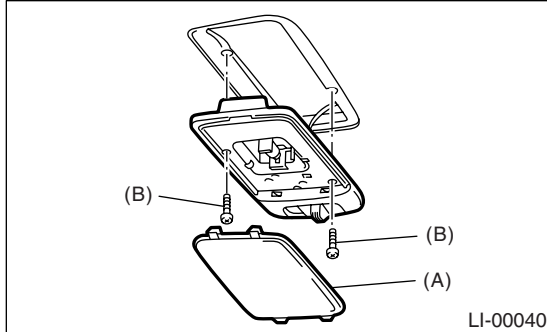
Measure the spot map light switch resistance.

Switch position	Terminal No.	Standard
OFF	—	More than 1 MΩ
ON	1 and 2	18±5.4 Ω

26. Room Light

A: REMOVAL

- 1) Disconnect the ground cable from battery.
- 2) Remove the lens (A) and room light mounting screws (B).



- 3) Disconnect the harness connectors and remove the room light.

B: INSTALLATION

Install in the reverse order of removal.

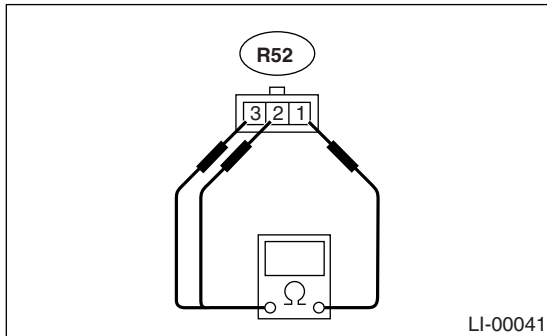
C: INSPECTION

1. ROOM LIGHT BULB

- 1) Visually check the bulb for blow out.
- 2) Check the bulb specification. <Ref. to LI-2, SPECIFICATION, General Description.>
- 3) If NG, replace the bulb with a new one.

2. ROOM LIGHT SWITCH

Measure the resistance between room light switch terminals.

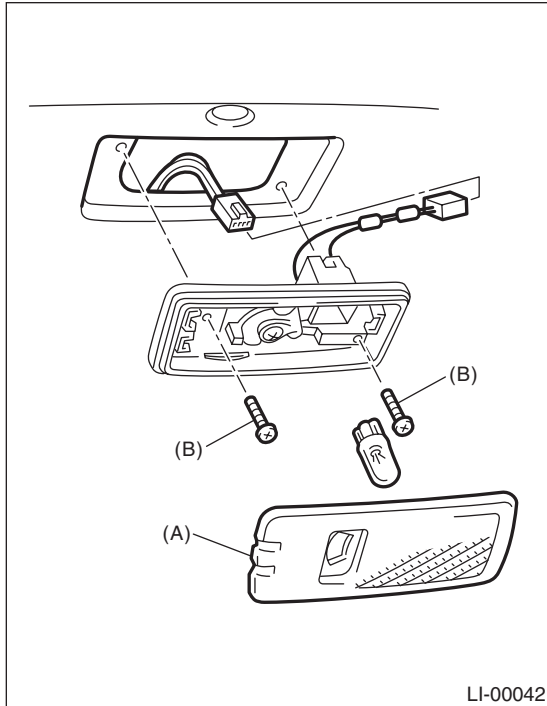


Switch position	Terminal No.	Standard
OFF	—	More than 1 MΩ
ON	1 and 3	1.5±0.5 Ω
DOOR	1 and 2	1.5±0.5 Ω

27. Luggage Room Light

A: REMOVAL

- 1) Disconnect the ground cable from battery.
- 2) Remove the lens (A) and luggage room light mounting screws (B).



- 3) Disconnect the harness connectors and remove the luggage room light.

B: INSTALLATION

Install in the reverse order of removal.

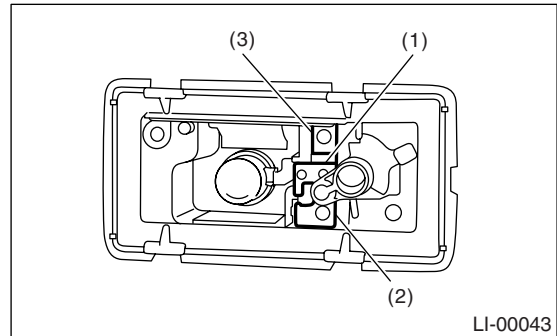
C: INSPECTION

1. LUGGAGE ROOM LIGHT BULB

- 1) Visually check the bulb for blow out.
- 2) Check the bulb specification. <Ref. to LI-2, SPECIFICATION, General Description.>
- 3) If NG, replace the bulb with a new one.

2. LUGGAGE ROOM LIGHT SWITCH

Measure the resistance between luggage room light switch terminals.

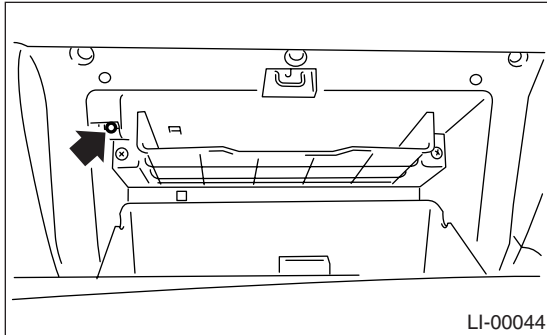


Switch position	Terminal No.	Standard
OFF	—	More than 1 MΩ
ON	1 and 3	1.5±0.5 Ω
DOOR	1 and 2	1.5±0.5 Ω

28. Glove Box Light

A: REMOVAL

- 1) Disconnect the ground cable from battery.
- 2) Remove the glove box. <Ref. to EI-37, REMOVAL, Glove Box.>
- 3) Disconnect the harness connector.
- 4) Remove the glove box light.



B: INSTALLATION

Install in the reverse order of removal.

C: INSPECTION

- 1) Visually check the bulb for blow out.
- 2) Check the bulb specification. <Ref. to LI-2, SPECIFICATION, General Description.>
- 3) If NG, replace the bulb with a new one.