

## BODY SECTION

This service manual has been prepared to provide SUBARU service personnel with the necessary information and data for the correct maintenance and repair of SUBARU vehicles.

This manual includes the procedures for maintenance, disassembling, reassembling, inspection and adjustment of components and diagnostics for guidance of experienced mechanics.

Please peruse and utilize this manual fully to ensure complete repair work for satisfying our customers by keeping their vehicle in optimum condition. When replacement of parts during repair work is needed, be sure to use SUBARU genuine parts.

All information, illustration and specifications contained in this manual are based on the latest product information available at the time of publication approval.

**HVAC SYSTEM  
(HEATER, VENTILATOR AND A/C)** AC

**HVAC SYSTEM (AUTO A/C)  
(DIAGNOSTIC)** AC

**AIRBAG SYSTEM** AB

**AIRBAG SYSTEM (DIAGNOSTIC)** AB

**SEAT BELT SYSTEM** SB

**LIGHTING SYSTEM** LI

**WIPER AND WASHER SYSTEM** WW

**ENTERTAINMENT** ET

**COMMUNICATION SYSTEM** COM

**GLASS/WINDOW/MIRROR** GW

**BODY STRUCTURE** BS

**INSTRUMENTATION/DRIVER INFO** IDI

**SEAT** SE

**SECURITY AND LOCK** SL

**SUNROOF/T-TOP/CONVERTIBLE TOP  
(SUNROOF)** SR

**EXTERIOR/INTERIOR TRIM** EI

**EXTERIOR BODY PANEL** EB

BODY SECTION

CRUISE CONTROL SYSTEM CC

CRUISE CONTROL SYSTEM (DIAGNOSTIC) CC(H4SO)

CRUISE CONTROL SYSTEM (DIAGNOSTIC) CC(H4DOTC)

CRUISE CONTROL SYSTEM (DIAGNOSTIC) CC(H4DOTC 2.5)

IMMOBILIZER (DIAGNOSTIC) IM

# AIRBAG SYSTEM

# AB

---

	<b>Page</b>
1. General Description .....	2
2. Airbag Connector .....	9
3. Inspection Locations After a Collision .....	12
4. Driver's Airbag Module .....	14
5. Passenger's Airbag Module .....	15
6. Side Airbag Module .....	16
7. Airbag Control Module .....	18
8. Side Airbag Sensor .....	19
9. Roll Connector .....	20
10. Front Sub Sensor .....	21
11. Airbag Module Disposal (Deployment Processing On Vehicle) .....	22
12. Disposal of Airbag Module (Deploying After Removal from Vehicle) .....	26

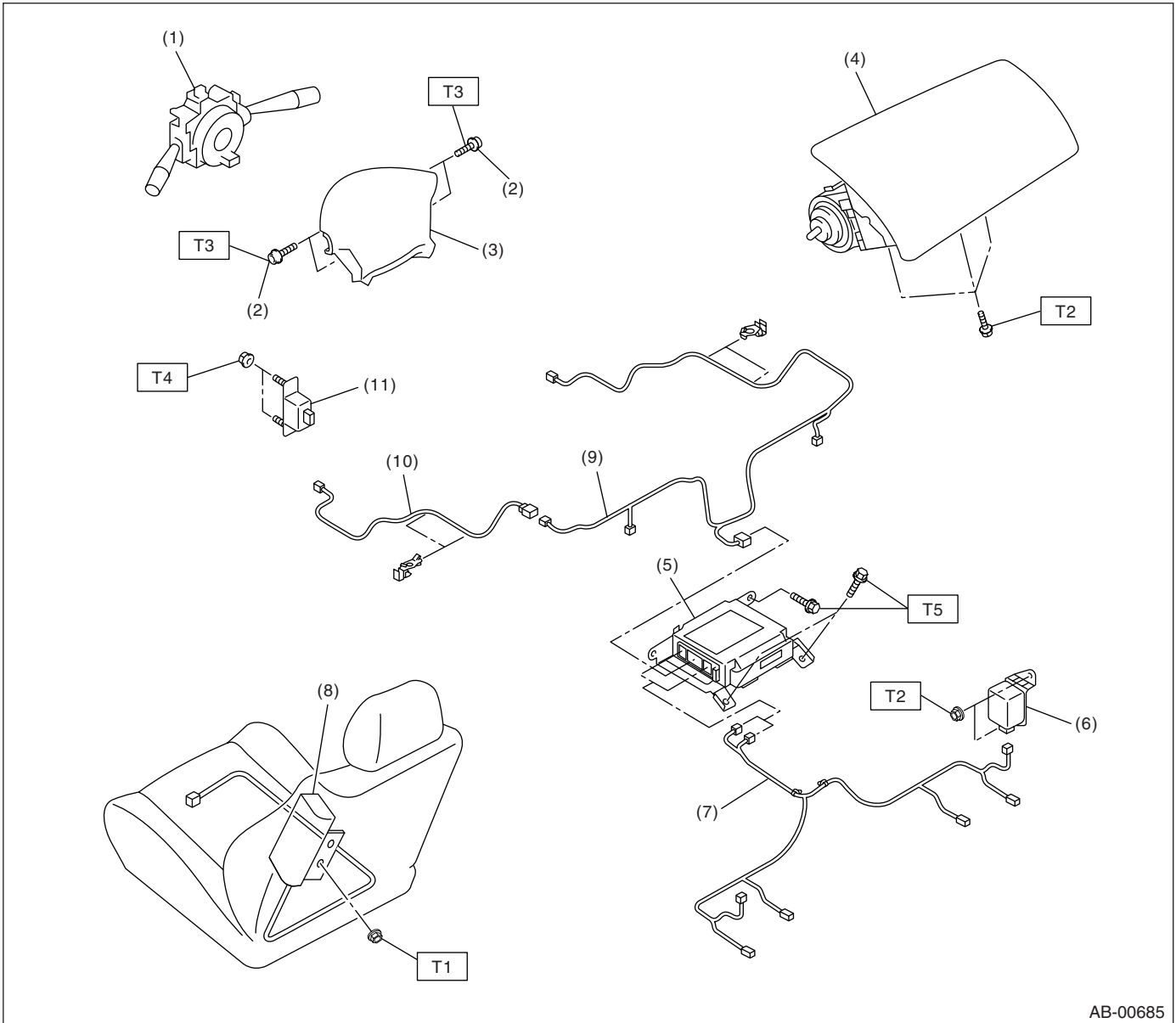
# General Description

AIRBAG SYSTEM

## 1. General Description

### A: COMPONENT

#### 1. SRS AIRBAG



AB-00685

- |   |                                     |
|---|-------------------------------------|
| (1) Combination switch ASSY with roll connector | (5) Airbag control module connector |
| (2) TORX® bolt T30                              | (6) Side airbag sensor              |
| (3) Airbag module ASSY (Driver's side)          | (7) Wiring harness rear             |
| (4) Airbag module ASSY (Passenger's side)       | (8) Side airbag module              |
|   | (9) Wiring harness CTR              |
|   | (10) Wiring harness front           |
|   | (11) Front sub sensor               |

**Tightening torque: N·m (kgf·m, ft·lb)**

**T1: 5.9 (0.59, 4.4)**

**T2: 7.4 (0.75, 5.4)**

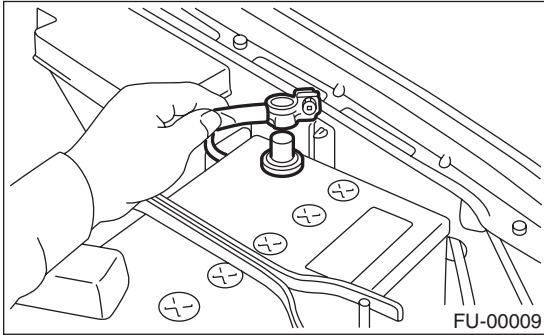
**T3: 10 (1.0, 7.2)**

**T4: 20 (2.0, 14.5)**

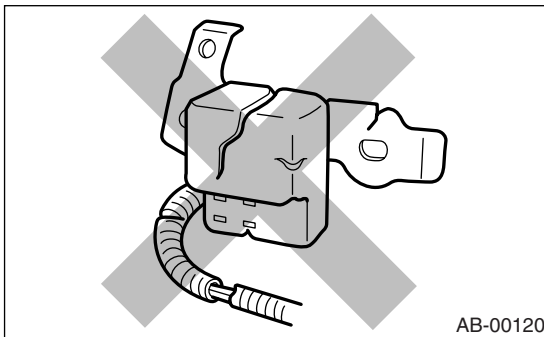
**T5: 25 (2.5, 18.1)**

## B: CAUTION

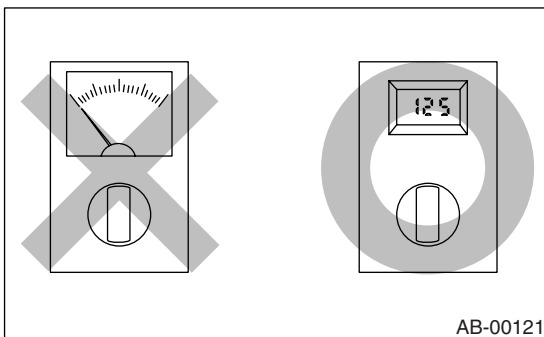
- When servicing a vehicle, be sure to turn the ignition switch to OFF, disconnect the ground cable from battery, and wait for more than 20 seconds before starting work.
- The airbag system is fitted with a backup power source. If the airbag system is serviced within 20 seconds after the ground cable is disconnected, it may inflate.



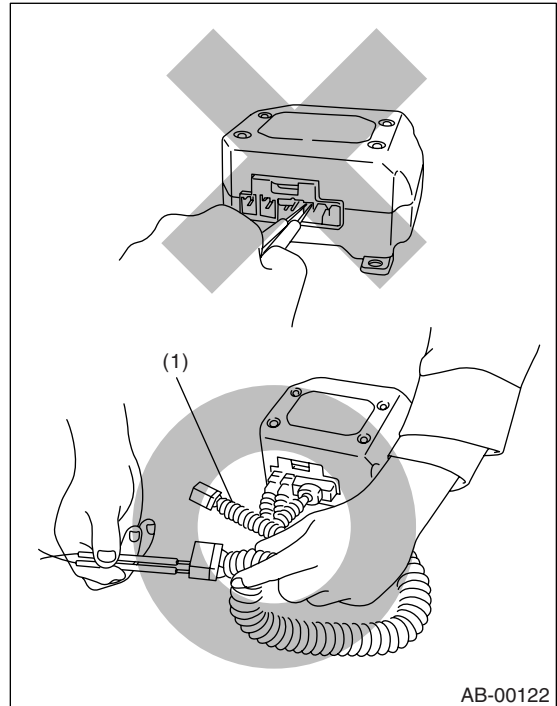
- If the airbag warning light illuminates, repair the vehicle immediately. Airbag or pretensioner may inflate incorrectly, or not inflate in collision.
- If sensors, airbag module, airbag control module, pretensioner or harness are deformed or damaged, replace them with new parts.



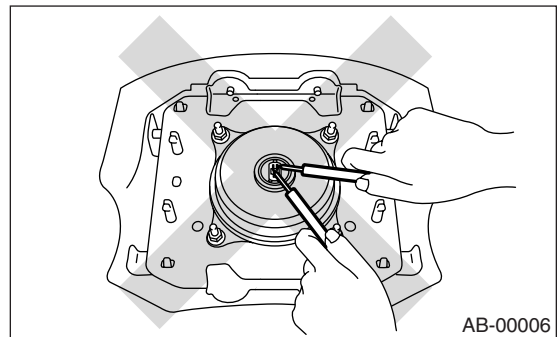
- When checking the airbag system, be sure to use a digital circuit tester. Infinitesimal electric current in an analog circuit tester may cause the airbag to activate erroneously.



- When checking, use a test harness (1). Do not directly apply the tester probe to any connector terminal of the airbag. Damage to the connector terminal may cause the airbag to activate erroneously.



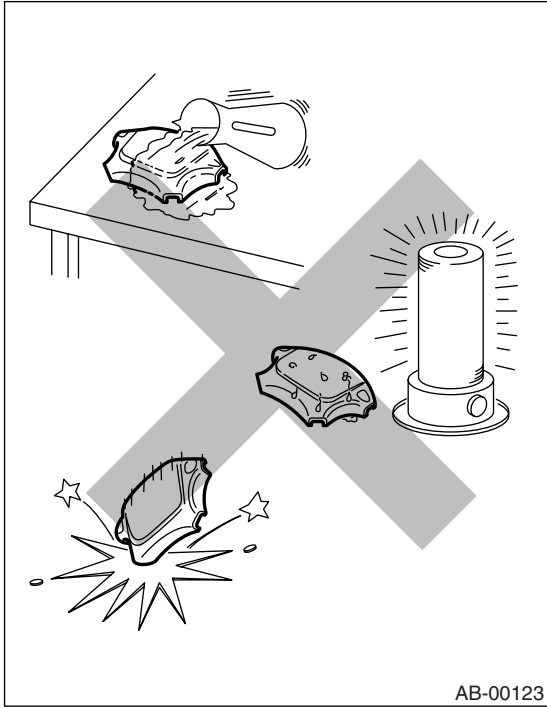
- Do not check continuity of either of the airbag modules for driver, passenger or side, or pretensioner.



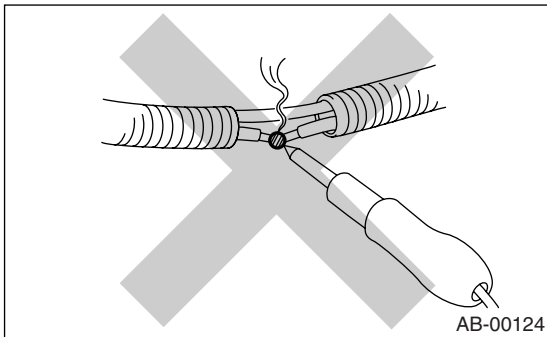
## General Description

### AIRBAG SYSTEM

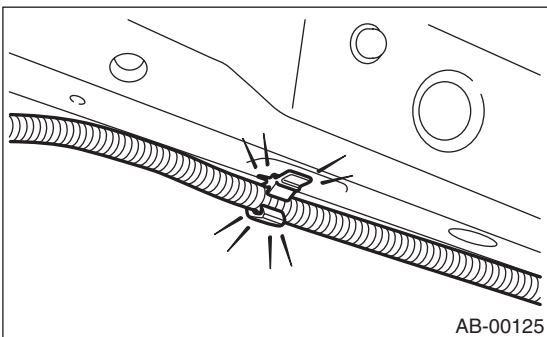
- Do not drop the airbag modulator parts, subject them to high temperature over 93°C (199°F), or let water, oil, or grease get on them; otherwise, the internal parts may be damaged and reliability greatly lowered.



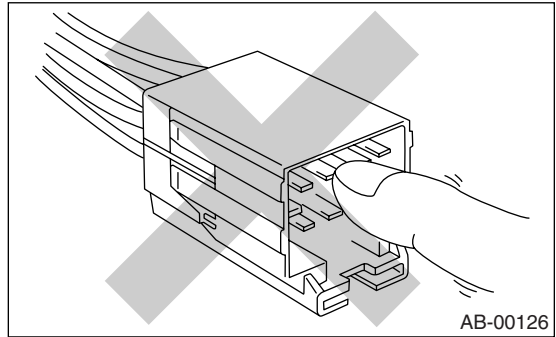
- If any damage, opening, or rust is found on the airbag system wire harness, do not attempt to repair using soldering equipment. Be sure to replace the faulty harness with a new genuine part.



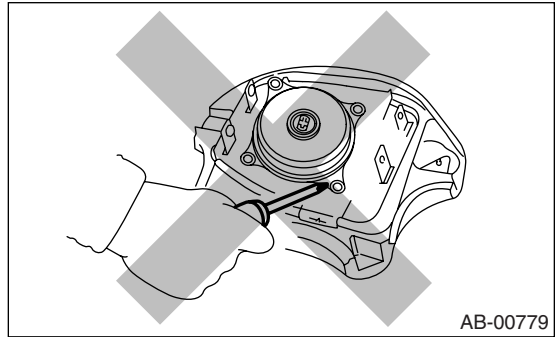
- Install the wire harness securely with the specified clips to avoid interference or tangled up with other parts.



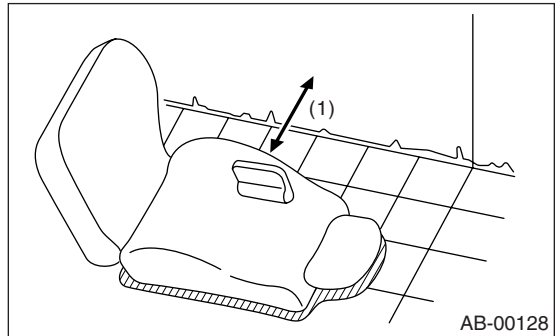
- Do not allow water or oil to come in contact with the connector terminals. Do not touch the connector terminals.



- Either of the airbag modules for driver, passenger or side, or pretensioner must not be disassembled.



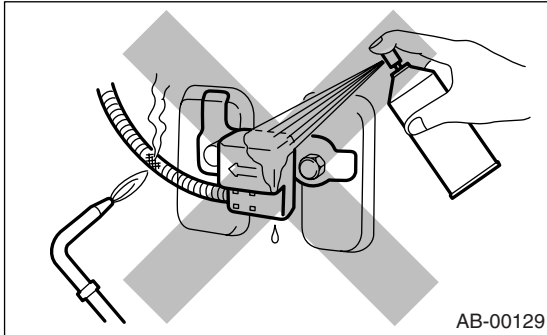
- The removed front seat with the airbag module must be kept at least 200 mm (8 in) away from walls and other objects.



(1) More than 200 mm (8 in)

- Do not use the airbag or pretensioner parts from other vehicles. Always replace defective parts with new ones.
- Never reuse a deployed airbag or pretensioner.
- When painting or performing sheet metal work on the front part of the vehicle, including the front wheel apron, front fender, and front side frame, remove the front sub sensors and wire harness of the airbag system.

- When painting or performing sheet metal work on the side of the vehicle, including the side sill, center pillar, and front and rear doors, remove the side airbag sensors and wire harness of the airbag system.

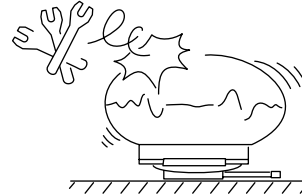
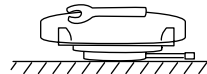
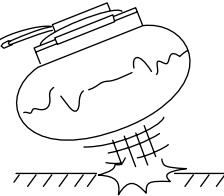
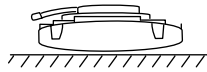
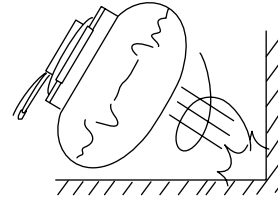
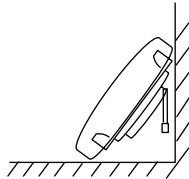
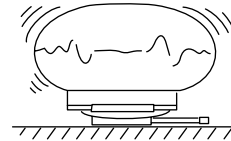
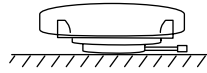


# General Description

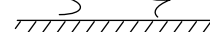
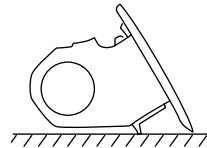
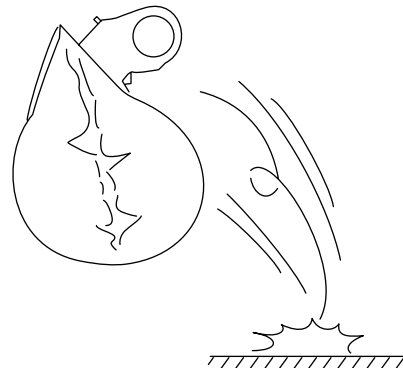
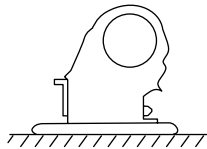
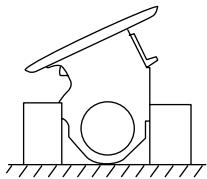
## AIRBAG SYSTEM

- When storing a removed airbag module, do not place any objects on it or pile airbag modules on top of each other. If the airbag inflates for some reason when it is placed with its pad side facing downward or under any object, a serious accident may result.

(1)



(2)



AB-00130

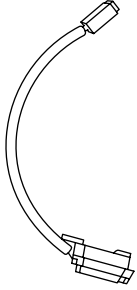
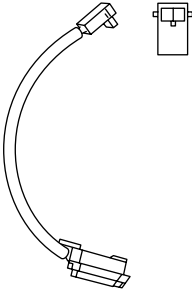
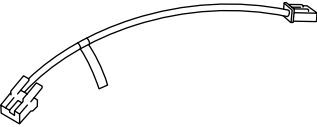
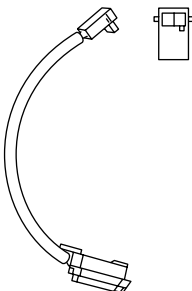
(1) Driver's airbag module

(2) Passenger's airbag module



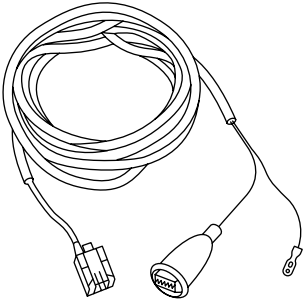
## C: PREPARATION TOOL

### 1. SPECIAL TOOL

ILLUSTRATION	TOOL NUMBER	DESCRIPTION	REMARKS
 <p style="text-align: center;">ST98299FC030</p>	98299FC030	DEPLOYMENT ADAPTER A	<ul style="list-style-type: none"> <li>• Used for deploying the side airbag module.</li> <li>• Used with DEPLOYMENT TOOL (98299PA030).</li> </ul>
 <p style="text-align: center;">ST98299SA010</p>	98299SA010	TEST HARNESS ADAPTER D	<ul style="list-style-type: none"> <li>• Used for deploying the driver's airbag module and seat belt pretensioner.</li> <li>• Used with DEPLOYMENT TOOL (98299PA030).</li> <li>• Can not reuse.</li> </ul>
 <p style="text-align: center;">ST98299SA030</p>	98299SA030	TEST HARNESS ADAPTER E	<ul style="list-style-type: none"> <li>• Used for deploying the passenger's airbag module.</li> <li>• Used with DEPLOYMENT TOOL (98299PA030).</li> </ul>
 <p style="text-align: center;">ST98299SA050</p>	98299SA050	TEST HARNESS ADAPTER F	<ul style="list-style-type: none"> <li>• Used for deploying lap seat belt pretensioner.</li> <li>• Used with DEPLOYMENT TOOL (98299PA030).</li> </ul>

# General Description

## AIRBAG SYSTEM

ILLUSTRATION	TOOL NUMBER	DESCRIPTION	REMARKS
 <p style="text-align: center;">ST98299PA030</p>	98299PA030	DEPLOYMENT TOOL	<ul style="list-style-type: none"> <li>• Used for deploying the airbag module.</li> <li>• Used with DEPLOYMENT ADAPTER A (98299FC030).</li> </ul>

## 2. GENERAL TOOL

TOOL NAME	REMARKS
TORX® T30	Used for removal/installation of driver's airbag module.

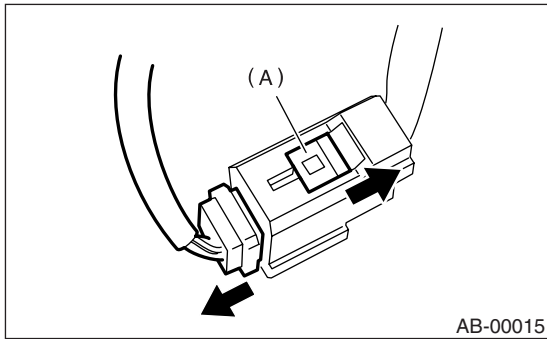
## 2. Airbag Connector

### A: OPERATION

#### 1. POWER SUPPLY

1) How to disconnect:

- (1) Move the slide lock (A) in the direction of arrow.
- (2) Pull the female connector in the direction of arrow with slide lock (A) moved.

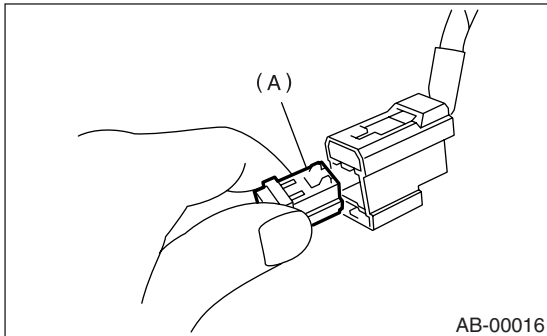


**CAUTION:**

When pulling, be sure to hold onto the connector and not the wire.

2) How to connect:

Holding the connector (A), push it in carefully until a connecting sound is heard.



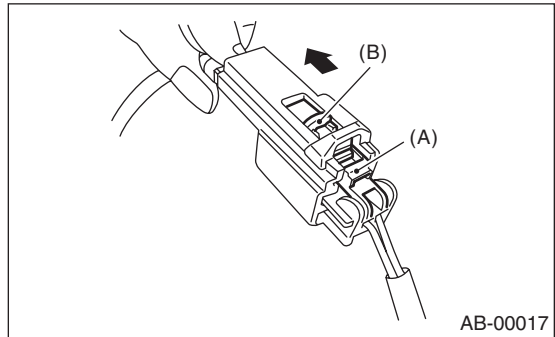
**CAUTION:**

Be sure to insert the connector in until it locks. Then pull on it gently to make sure that it is locked.

#### 2. DRIVER'S AIRBAG (BETWEEN AIRBAG HARNESS AND ROLL CONNECTOR), PASSENGER'S AIRBAG AND SIDE AIRBAG

1) How to disconnect:

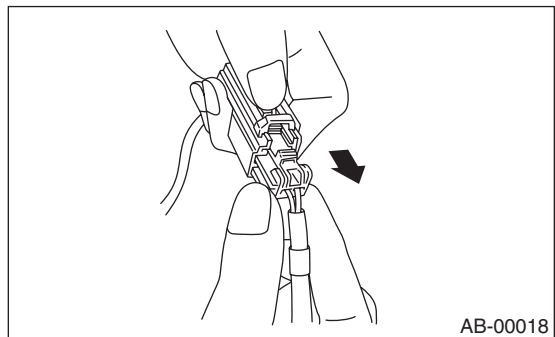
- (1) Push the lock arm (A).
- (2) With the lock arm (A) pushed in, move the slide lock (B) in the direction of arrow.



- (3) With the slide lock pulled, remove the lock arm to its original position, and then pull in the direction of arrow to separate connector.

**CAUTION:**

When pulling, be sure to hold onto the connector and not the wire.

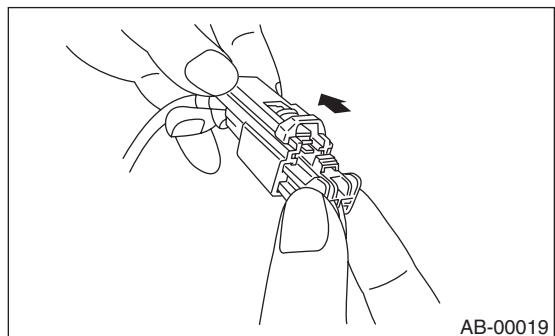


2) How to connect:

Holding the connector, and push it in carefully until a connecting sound is heard.

**CAUTION:**

Be sure to insert the connector in until it locks. Then pull on it gently to make sure that it is locked.



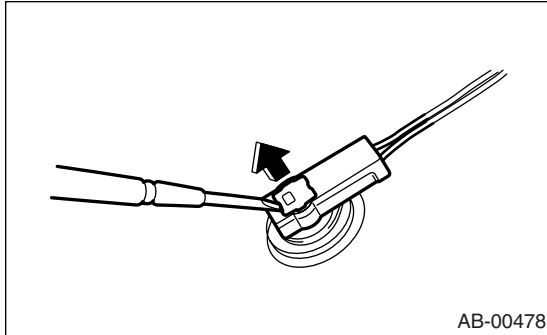
# Airbag Connector

## AIRBAG SYSTEM

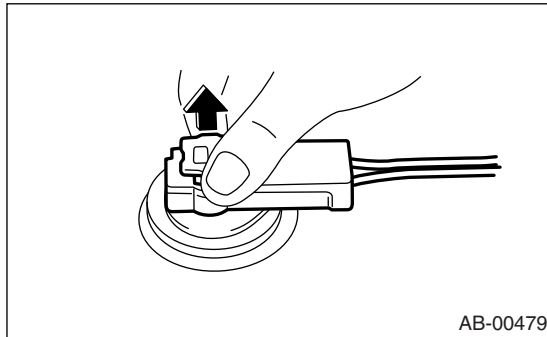
### 3. DRIVER'S AIRBAG MODULE AND PRE-TENSIONER

1) How to disconnect:

(1) Using a flat tip screwdriver, pry the push lock upward to unlock.



(2) Pull the connector to disconnect from driver's side airbag module assembly or retractor assembly.

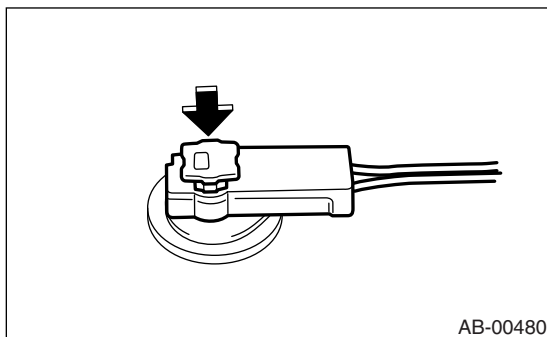


2) How to connect:

Connect the connector in reverse order of disconnecting. At this time, be sure to insert the connector in until a connecting sound is heard.

#### CAUTION:

- Be sure to insert the connector in until it locks. Then pull it gently to make sure that it is locked.
- Be sure to insert the push lock in.



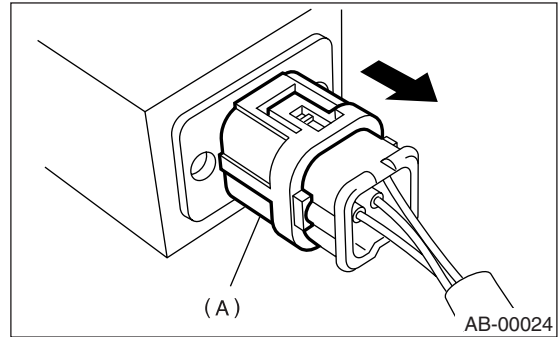
### 4. FRONT SUB-SENSOR AND SIDE AIRBAG SENSOR

1) How to disconnect:

Holding outer part (A), pull it in the direction of arrow.

#### CAUTION:

When pulling, be sure to hold onto the connector and not the wire.

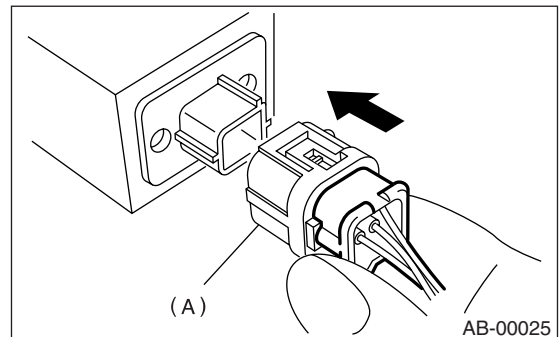


2) How to connect:

Holding the connector, and push it in carefully until a connecting sound is heard.

#### CAUTION:

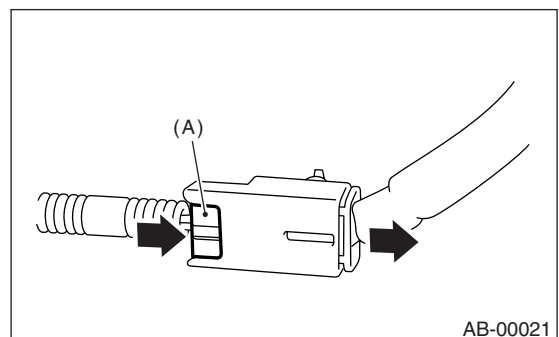
- Do not put your hand on the outer part, since outer (A) moves back.
- Be sure to insert the connector in until it locks. Then pull it gently to make sure that it is locked.



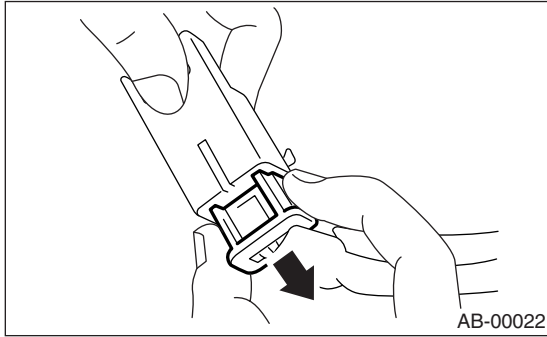
### 5. PASSENGER'S AIRBAG

1) How to disconnect:

(1) Move the slide lock (A) in the direction of arrow.



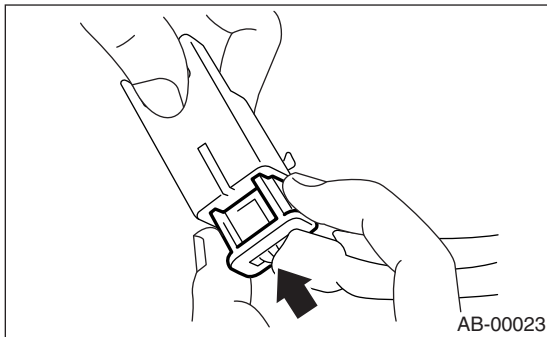
(2) With the slide lock pushed, pull the connector in the direction of arrow and disconnect it.



**CAUTION:**  
When pulling, be sure to hold onto the connector and not the wire.

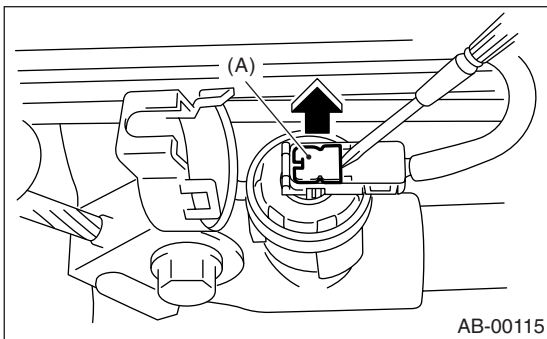
2) How to connect:  
Holding the connector, and push it in carefully until a connecting sound is heard.

**CAUTION:**  
Be sure to insert the connector in until it locks. Then pull on it gently to make sure that it is locked.

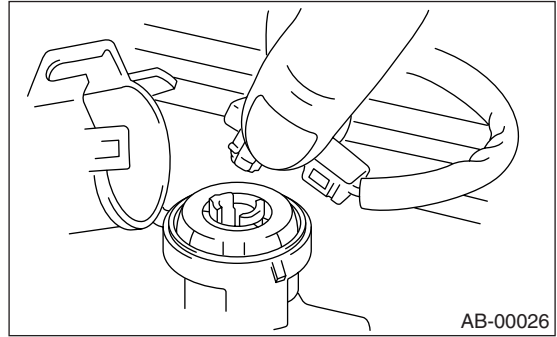


## 6. LAP SEAT BELT PRETENSIONER

1) How to disconnect:  
(1) Using a flat tip screwdriver, pry the push lock (A) upward to unlock.



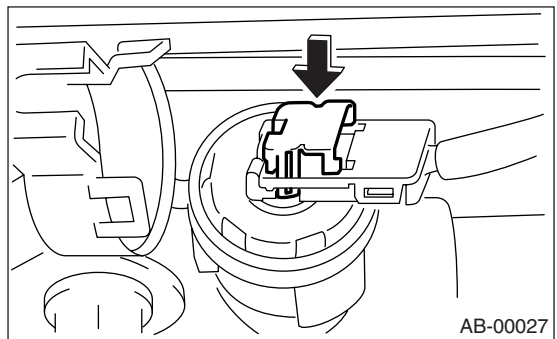
(2) Pull the connector to disconnect from lap seat belt pretensioner.



**CAUTION:**  
When pulling, be sure to hold onto the connector and not the wire.

2) How to connect:  
Connect the connector in reverse order of disconnecting. At this time, be sure to insert the connector in until a connecting sound is heard.

**CAUTION:**  
• Be sure to insert the connector in until it locks.  
Then pull it gently to make sure that it is locked.  
• Be sure to lock the push lock securely.



## 3. Inspection Locations After a Collision

### A: REPLACEMENT

When airbag system is deployed, replace the following parts.

#### 1. FRONT COLLISION

- 1) Driver's airbag module
- 2) Passenger's airbag module
- 3) Driver's seat belt (pretensioner, lap seat belt pretensioner)
- 4) Passenger's seat belt (pretensioner)
- 5) Airbag control module
- 6) Front sub-sensor
- 7) Roll connector

#### 2. SIDE COLLISION

- 1) Airbag control module
- 2) Side airbag module (operating side seat bag)
- 3) Side airbag sensor (operating side)

#### 3. INSPECTION OF OTHER PARTS

Check for the following parts, replace the damaged parts with new ones.

- 1) Steering wheel and steering shaft  
Check the steering wheel and steering shaft for mounting condition and deflection of axial and radial direction. Check the steering shaft for deflection of axial direction with tilt lever released. (After a collision, absorbing part of steering shaft may inflate.)
- 2) Check the direct type connector of driver's airbag module, pretensioner, etc. for damage, and also check each harness for pinch and connector damage. If damage is found, replace the harness as a unit.

### B: INSPECTION

If the vehicle is involved in a collision on any side, even if it is a slight collision, be sure to check the following system parts.

#### 1. DRIVER'S AIRBAG MODULE

- 1) Check for the following, and replace damaged parts with new ones.
  - Airbag module is cracked or deformed.
  - Harness and/or connector is cracked, deformed or open. Lead wire is exposed.
  - The module surface is fouled with grease, oil, water or cleaning solvent.
- 2) When installing a new driver's airbag module, check the following. If necessary, install a new airbag module and steering wheel.
  - The steering wheel is in the way, making it difficult to install the airbag module.

- The clearance between the driver's airbag module and steering wheel is not constant.
- The steering wheel deformation in axial and radial directions exceed limits.

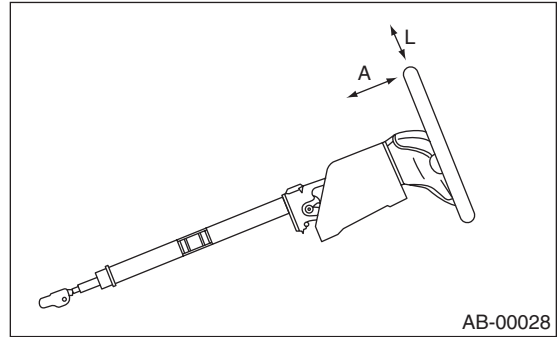
#### Specifications:

##### Height deflection A

*Less than 6 mm (0.24 in)*

##### O.D. deflection L

*Less than 17 mm (0.67 in)*



#### 2. PASSENGER'S AIRBAG MODULE

Check for the following, and replace damaged parts with new ones.

- Airbag module is cracked or deformed.
- Harness and/or connector is cracked, deformed or open. Lead wire is exposed.
- Mounting bracket is cracked or deformed.

#### 3. SIDE AIRBAG MODULE

Check for the following, and replace damaged parts with new ones.

- Front seat is damaged or deformed.
- Harness and/or connector is cracked, deformed or open.
- Lead wire is exposed.

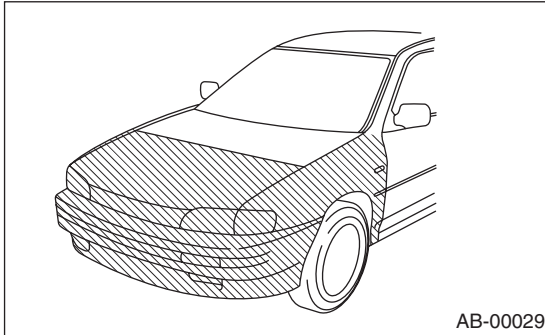
#### 4. AIRBAG CONTROL MODULE

Check for the following, and replace damaged parts with new ones.

- Control module is cracked or deformed.
- Mounting bracket is cracked or deformed.
- Connector is scratched or deformed.
- Airbag is deployed.
- Side airbag is deployed.

## 5. FRONT SUB SENSOR

If the front section of vehicle as shown in the figure is damaged:

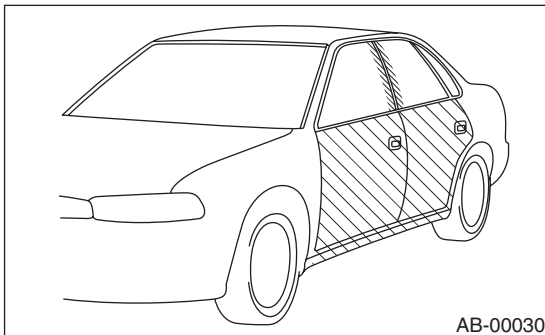


Check for the following, and replace damaged parts with new ones.

- Front sub sensor is cracked or deformed.
- Mounting bracket is cracked or deformed.
- Connector is scratched or cracked.
- Airbag is deployed.

## 6. SIDE AIRBAG SENSOR

If the side section of vehicle as shown in the figure is damaged:



Check for the following, and replace damaged parts with new ones.

- Side airbag sensor is cracked or deformed.
- Mounting bracket is cracked or deformed.
- Connector is scratched or cracked.
- Side airbag is deployed. (operating side)

## 7. ROLL CONNECTOR

Check for the following, and replace damaged parts with new ones.

- Combination switch or steering roll connector is cracked or deformed.

## 8. STEERING SHAFT

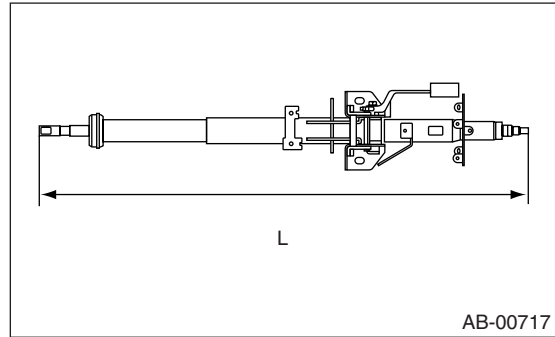
Check for the following, and replace damaged parts with new ones.

- Overall length of steering column should be within specifications.

### Specifications:

**Overall length L**

**815.6±1.5 mm (32.1±0.06 in)**



If necessary, replace it with a new part.

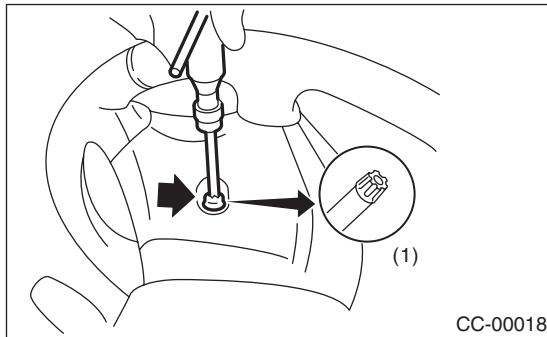
## 4. Driver's Airbag Module

### A: REMOVAL

#### CAUTION:

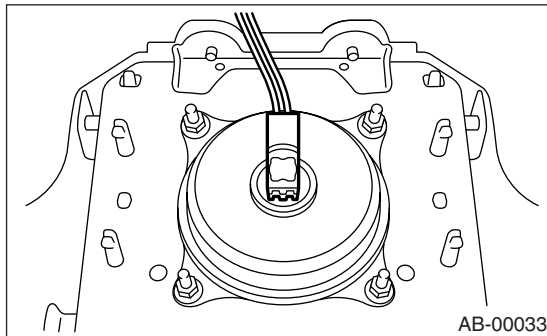
Refer to "CAUTION" in General Description before handling the airbag module. <Ref. to AB-3, CAUTION, General Description.>

- 1) Position the front wheels straight ahead. (After moving the vehicle more than 5 m (16 ft) with front wheels positioned straight ahead, make sure that the vehicle moves straight ahead).
- 2) Turn the ignition switch to OFF.
- 3) Disconnect the ground cable from battery, and wait for at least 20 seconds before starting work.
- 4) Using the TORX® BIT T30, remove the two TORX® bolts on side of steering wheel.



(1) TORX® BIT T30

- 5) Disconnect the airbag connector on the back of airbag module, and then remove the airbag module.



- 6) Refer to "CAUTION" for handling of removed airbag module. <Ref. to AB-3, CAUTION, General Description.>

### B: INSTALLATION

Install in the reverse order of removal.

#### CAUTION:

Do not allow harness and connectors to interfere or get tangled up with other parts.

#### Tightening torque:

Refer to "COMPONENT" in "General Description" <Ref. to AB-2, SRS AIRBAG, COMPONENT, General Description.>

### C: INSPECTION

#### CAUTION:

Refer to "CAUTION" in General Description before handling the airbag module. <Ref. to AB-3, CAUTION, General Description.>

Check for the following, and replace damaged parts with new ones.

- Airbag module, harness, connector, and mounting bracket are damaged. <Ref. to AB-12, DRIVER'S AIRBAG MODULE, INSPECTION, Inspection Locations After a Collision.>



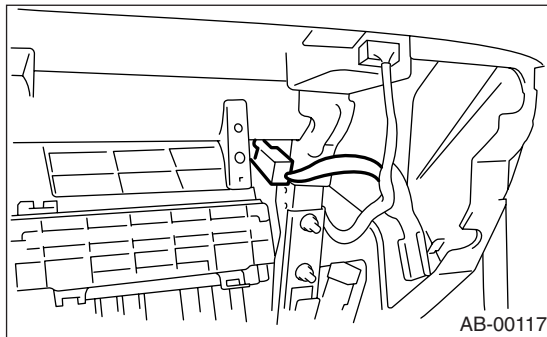
## 5. Passenger's Airbag Module

### A: REMOVAL

**CAUTION:**

Refer to "CAUTION" in General Description before handling the airbag module. <Ref. to AB-3, CAUTION, General Description.>

- 1) Turn the ignition switch to OFF.
- 2) Disconnect the ground cable from battery, and wait for at least 20 seconds before starting work.
- 3) Remove the glove box. <Ref. to EI-37, REMOVAL, Glove Box.>
- 4) Detach the airbag connector from support beam bracket, and then disconnect the airbag connector.



- 5) Remove the three bolts, and then carefully remove the airbag module.
- 6) Refer to "CAUTION" for handling of removed airbag module. <Ref. to AB-3, CAUTION, General Description.>

### B: INSTALLATION

Install in the reverse order of removal.

**CAUTION:**

Do not allow harness and connectors to interfere or get tangled up with other parts.

*Tightening torque:*

Refer to "COMPONENT" in "General Description" <Ref. to AB-2, SRS AIRBAG, COMPONENT, General Description.>

### C: INSPECTION

**CAUTION:**

Refer to "CAUTION" in General Description before handling the airbag module. <Ref. to AB-3, CAUTION, General Description.>

Check for the following, and replace damaged parts with new ones.

- Airbag module, harness, connector, and mounting bracket are damaged. <Ref. to AB-12, PASSENGER'S AIRBAG MODULE, INSPECTION, Inspection Locations After a Collision.>

## 6. Side Airbag Module

### A: REMOVAL

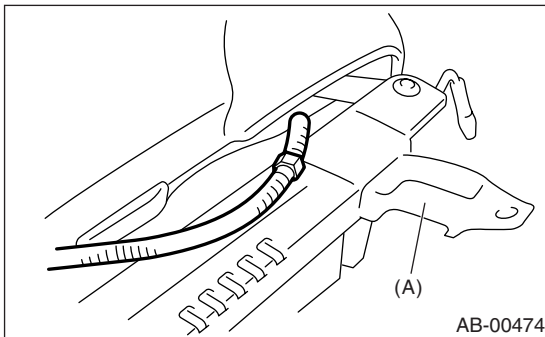
#### CAUTION:

Before working on the airbag module, refer to the “CAUTION” in General Description. <Ref. to AB-3, CAUTION, General Description.>

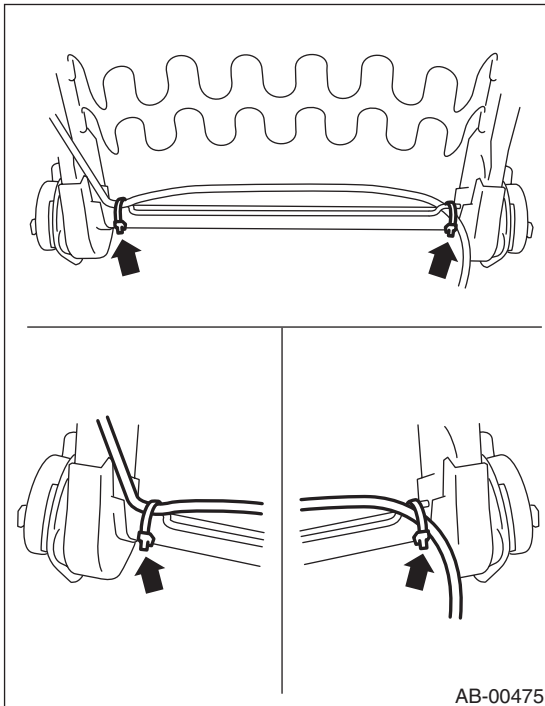
#### NOTE:

Remove the passenger’s side by referring to driver’s side.

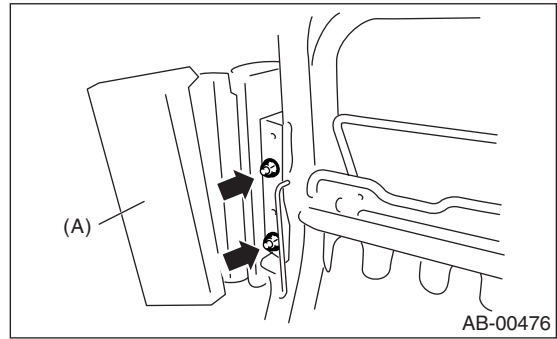
- 1) Turn the ignition switch to OFF.
- 2) Disconnect the ground cable from battery, and wait for at least 20 seconds before starting work.
- 3) Remove the front seat from the vehicle. <Ref. to SE-6, REMOVAL, Front Seat.>
- 4) Remove the clip from slide rail IN (A) and reverse side of seat cushion assembly, and then remove the side airbag harness.



- 5) Remove the backrest cover. <Ref. to SE-6, DISASSEMBLY, Front Seat.>
- 6) Remove the side airbag harness from backrest frame assembly.



- 7) Remove the side airbag module (A) from backrest frame assembly.

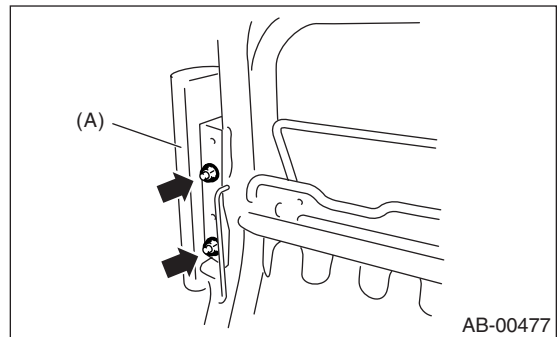


### B: INSTALLATION

- 1) Ensure there are no foreign particles on side airbag module.
- 2) Install the side airbag module (A) to backrest frame assembly.

#### Tightening torque:

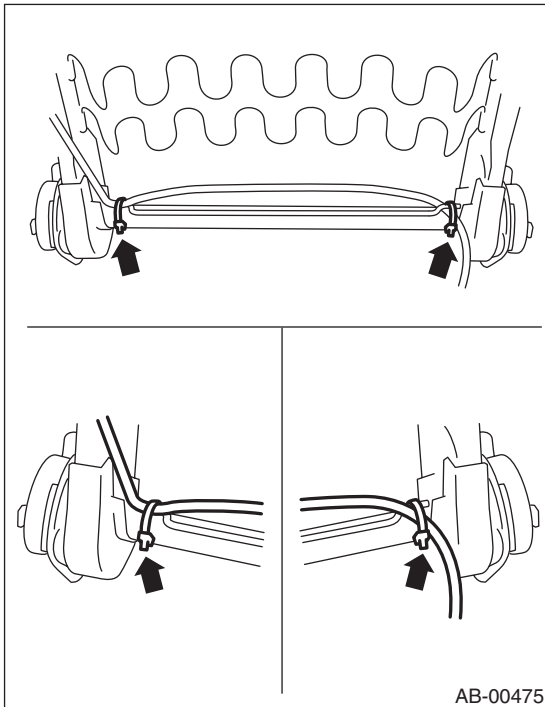
**5.9 N·m (0.59 kgf-m, 4.4 ft-lb)**



3) Install the side airbag harness to backrest frame assembly.

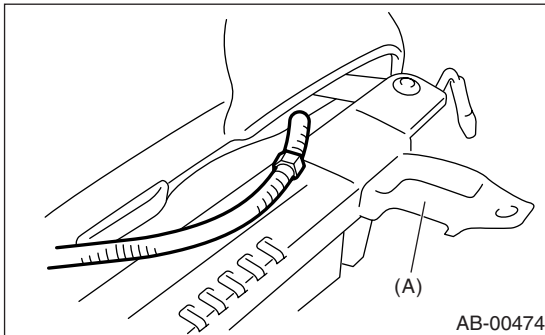
**NOTE:**

Secure the harness to its original position of seat.



4) Install the backrest cover. <Ref. to SE-11, ASSEMBLY, Front Seat.>

5) Install the side airbag harness to slide rail IN (A).



6) Recline the seat or slide it backward and forward. Check there is no contact between seat backrest assembly, cushion cover assembly and side airbag harness.

## C: INSPECTION

**CAUTION:**

Before working on the airbag module, refer to the “CAUTION” in General Description. <Ref. to AB-3, CAUTION, General Description.>

Perform the inspection of following items, and replace the damaged parts with new ones. <Ref. to AB-12, SIDE AIRBAG MODULE, INSPECTION, Inspection Locations After a Collision.>

1) With side clash (when side airbag is deployed)

**<Replacement parts>**

- Side airbag module assembly
- Backrest pad assembly
- Backrest frame assembly
- Backrest cover assembly

**<Other replacement parts, which found to be damaged by visual check>**

- Headrest assembly
- Bushing
- Slide rail OUT
- Slide rail IN
- Seat hinge cover
- Seat lifter lever
- Reclining lever
- Side airbag harness and connector (body side)

2) Without side clash (when side airbag is not deployed)

Check the seat and airbag module visually, and then replace them with new ones if damaged or cracked.

Specially inspect the damage of airbag module body, installing bracket, harness connector.

3) Without side clash (dirt and damage of cover)  
Replace the corresponding part with a new one.

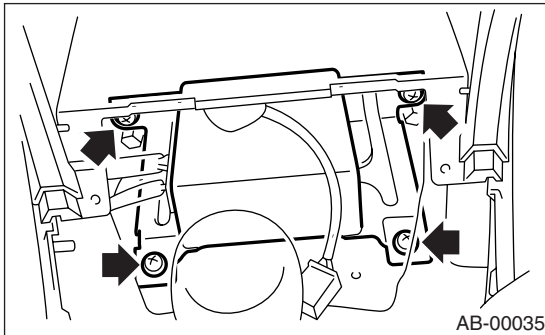
## 7. Airbag Control Module

### A: REMOVAL

**CAUTION:**

- Do not disassemble the airbag control module.
- If the airbag control module is deformed or if water damage is suspected, replace the airbag control module with a new part.
- Do not drop the airbag control module.
- After removal, keep the airbag control module on a dry, clean surface away from moisture, heat, and dust.

- 1) Turn the ignition switch to OFF.
- 2) Disconnect the ground cable from battery, and wait for at least 20 seconds before starting work.
- 3) Remove the console cover. <Ref. to EI-39, REMOVAL, Console Box.>
- 4) Remove the center console panel. <Ref. to EI-40, REMOVAL, Instrument Panel Assembly.>
- 5) Disconnect the connector from airbag control module.
- 6) Remove the four bolts, and then remove the airbag control module.



### B: INSTALLATION

**CAUTION:**

**Use new bolts (for airbag control module only) during reassembly.**

Install in the reverse order of removal.

**Tightening torque:**

*Refer to "COMPONENT" in "General Description" <Ref. to AB-2, SRS AIRBAG, COMPONENT, General Description.>*

### C: INSPECTION

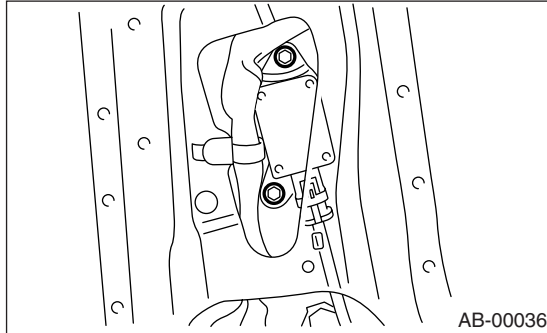
Check for the following, and replace damaged parts with new ones.

- Control module, connector, and mounting bracket are damaged.
- Airbag is deployed.
- Side airbag is deployed.

## 8. Side Airbag Sensor

### A: REMOVAL

- 1) Turn the ignition switch to OFF.
- 2) Disconnect the ground cable from battery, and wait for at least 20 seconds before starting work.
- 3) Remove the outer belt (FRONT). <Ref. to SB-10, FRONT OUTER BELT, REMOVAL, Front Seat Belt.>
- 4) Detach the side airbag sensor, and then disconnect the airbag connector.



### B: INSTALLATION

#### CAUTION:

Use new TORX® bolts T30 when reassembling.

Install in the reverse order of removal.

#### Tightening torque:

Refer to “COMPONENT” in “General Description” <Ref. to AB-2, SRS AIRBAG, COMPONENT, General Description.>

### C: INSPECTION

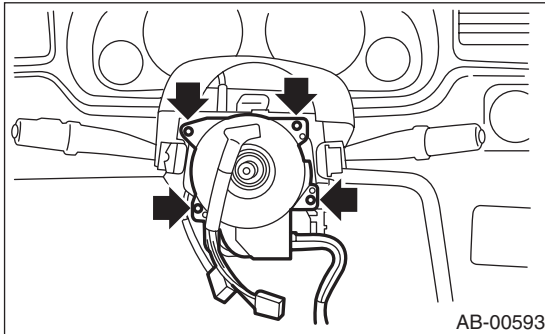
Check for the following, and replace damaged parts with new parts.

- Bracket connector for side airbag sensor is damaged.
- Side airbag is deployed.

## 9. Roll Connector

### A: REMOVAL

- 1) Turn the ignition switch to OFF.
- 2) Disconnect the ground cable from battery, and wait for at least 20 seconds before starting work.
- 3) Remove the driver's airbag module. <Ref. to AB-14, Driver's Airbag Module.>
- 4) Remove the steering wheel. <Ref. to PS-23, REMOVAL, Steering Wheel.>
- 5) Remove the steering column cover.
- 6) Remove the screws, and then remove the roll connector.



### B: INSTALLATION

- 1) Install in the reverse order of removal.
- 2) Before installing the steering wheel, be sure the direction of roll connector is adjusted with steering. <Ref. to AB-20, ADJUSTMENT, Roll Connector.>

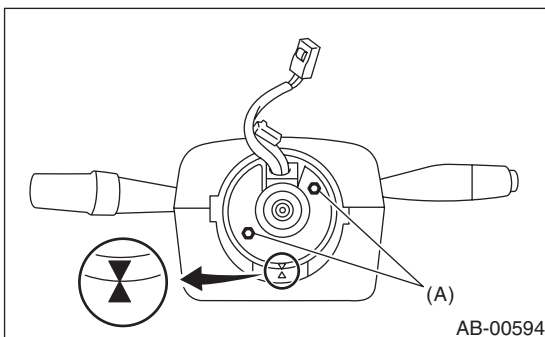
### C: INSPECTION

Check for the following, and replace damaged parts with new parts.

- Combination switch and roll connector are cracked or deformed.

### D: ADJUSTMENT

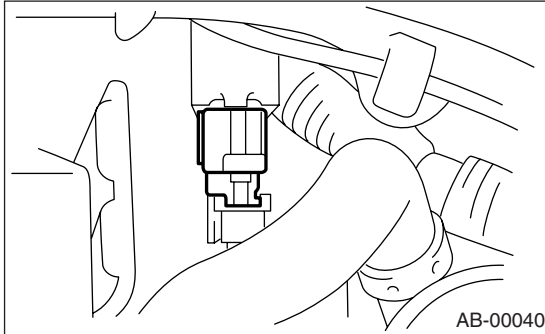
- 1) Check that the front wheels are positioned in straight ahead direction.
- 2) Turn the roll connector pin (A) clockwise until it stops.
- 3) Turn the roll connector pin (A) counterclockwise approx. 2.65 turns until "▲" marks are aligned.



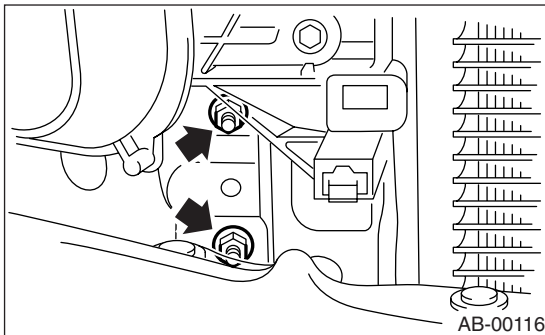
## 10. Front Sub Sensor

### A: REMOVAL

- 1) Turn the ignition switch to OFF.
- 2) Disconnect the ground cable from battery, and wait for at least 20 seconds before starting work.
- 3) Remove the front grille and front grille side.  
<Ref. to EI-18, REMOVAL, Front Grille.>
- 4) Disconnect the connector from front sub sensor.



- 5) Loosen the nut, and then detach the front sub sensor.



### B: INSTALLATION

#### CAUTION:

**Use new nuts when reassembling.**

Install in the reverse order of removal.

#### *Tightening torque:*

**Refer to "COMPONENT" in "General Description" <Ref. to AB-2, SRS AIRBAG, COMPONENT, General Description.>**

### C: INSPECTION

Check for the following, and replace damaged parts with new parts.

- Front sub sensor, mounting bracket, and connector are damaged.
- Airbag is deployed.

# Airbag Module Disposal (Deployment Processing On Vehicle)

AIRBAG SYSTEM

## 11. Airbag Module Disposal (Deployment Processing On Vehicle)

### A: OPERATION

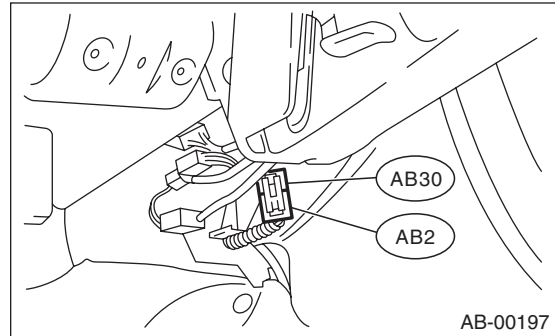
#### CAUTION:

- Do not discard an undeployed airbag modules because it may cause a serious personal injury when accidentally deployed.
- As a rule, the airbag module should be deployed while still installed in the vehicle. Do not remove the airbag modules unless necessary.
- Deployment of the airbag module should be done on a flat place free from any possible danger. Avoid deploying outdoors during rainy or windy weather.
- Deploying the airbag module causes a high explosive noise, be sure to warn people in the area, and do not allow anyone within a 5 m (16 ft) radius of the disposal site.
- Some smoke will be emitted from deployment of the airbag module. Therefore, it must be deployed in a well-ventilated place with no smoke detector nearby.
- Wear protective gloves, safety goggles and earplugs during this operation. Wash your hands afterwards.
- After deployment, the airbag module will be especially hot, leave it unattended for 40 minutes, and then discard it.
- Do not let water get on the deployed airbag module.
- Wrap the deployed airbag module in an airtight vinyl bag, and discard it.
- If circumstances do not permit the airbag module deployment, contact the SUBARU dealer.

### 1. DRIVER'S AIRBAG MODULE

- 1) Turn the ignition switch to OFF.
- 2) Disconnect the ground cable from battery and wait for at least 20 seconds before starting work.
- 3) Remove the lower cover. <Ref. to EI-40, REMOVAL, Instrument Panel Assembly.>

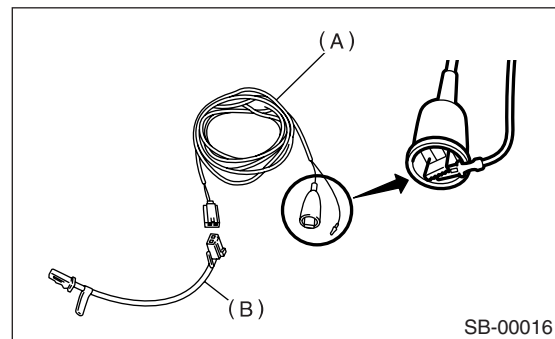
- 4) Disconnect the airbag connector (AB30) and (AB2) below steering column.



- 5) Short the terminal to alligator clip furnished as deployment tool (A).
- 6) Connect the deployment tool and deployment adapter A (B).

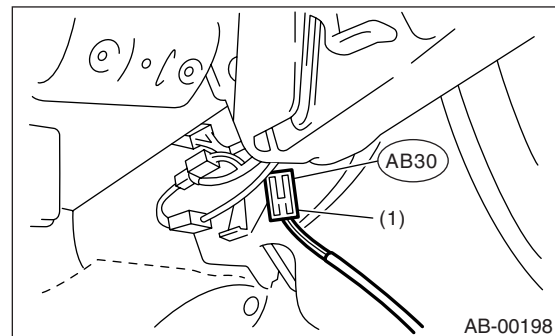
#### CAUTION:

The deployment tool should be kept shorted terminals until just before deployment of airbag module.



- (A) Deployment tool:  
(Tool number 98299PA030)
- (B) Deployment adapter A:  
(Tool number 98299SA030)

- 7) Connect the deployment adapter A to airbag connector (AB30).



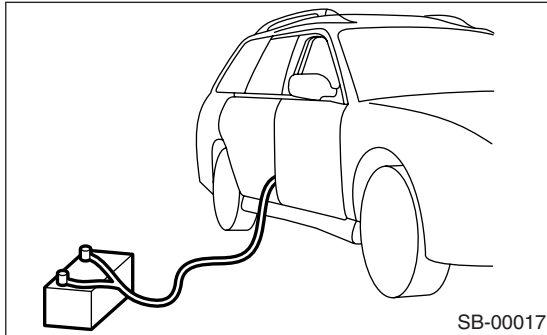
- (1) Deployment adapter A:  
(Tool number 98299SA030)



# Airbag Module Disposal (Deployment Processing On Vehicle)

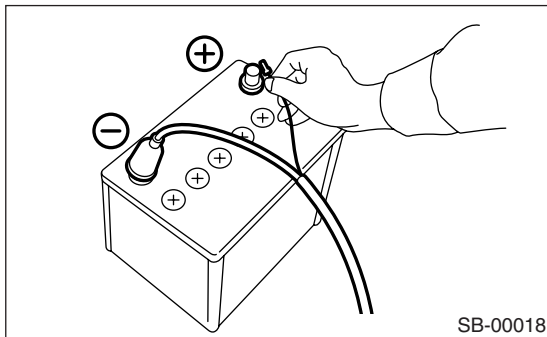
AIRBAG SYSTEM

8) Extend the wiring of deployment tool to the limit, and make sure that the vehicle is empty. Close all the windows, sunroof and rear gate completely.



9) Move the battery at least 5 m (16 ft) from vehicle, and secure the nearby area. Connect the deployment tool alligator clip to the battery negative (-) terminal.

10) Connect the other cable of deployment tool to the battery positive (+) terminal, and deploy the airbag module.

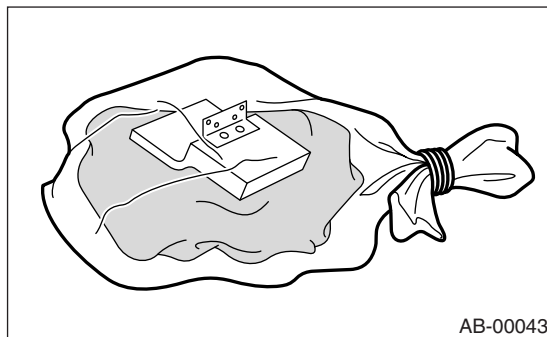


### CAUTION:

- After deployment, the airbag module will be especially hot, leave it unattended for 40 minutes, and then discard it.
- Do not let water get on the deployed airbag module.

11) Remove the airbag module. <Ref. to AB-14, Driver's Airbag Module.>

12) Wrap the deployed airbag module in airtight vinyl bag, and discard it.

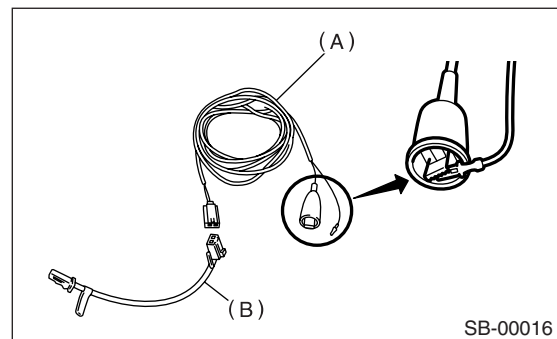


## 2. PASSENGER'S AIRBAG MODULE

- 1) Turn the ignition switch to OFF.
- 2) Disconnect the ground cable from battery and wait for at least 20 seconds before starting work.
- 3) Remove the glove box.
- 4) Disconnect the airbag connectors (AB4) and (AB27).
- 5) Short the terminal to alligator clip furnished as deployment tool (A)
- 6) Connect the deployment tool (A) and deployment adapter E (B).

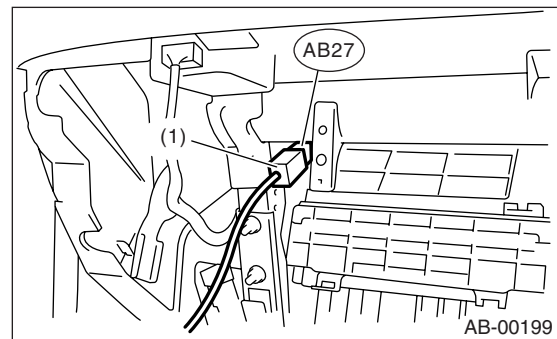
### CAUTION:

The deployment tool should be kept shorted terminals until just before deployment of airbag module.



- (A) Deployment tool:  
(Tool number 98299PA030)
- (B) Deployment adapter E:  
(Tool number 98299SA030)

7) Connect the deployment adapter E to the airbag connector (AB27).

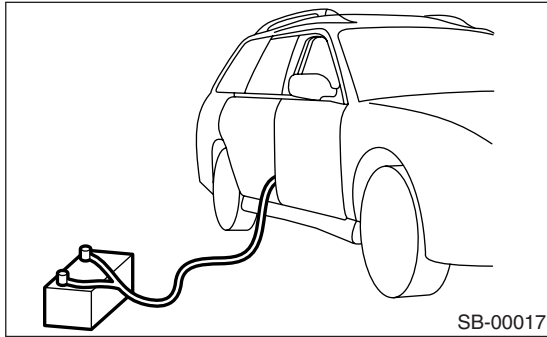


- (1) Deployment adapter E:  
(Tool number 98299SA030)

# Airbag Module Disposal (Deployment Processing On Vehicle)

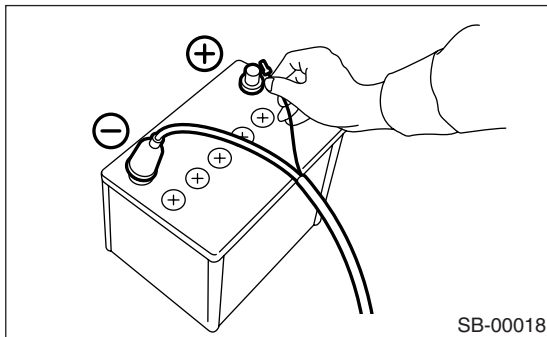
## AIRBAG SYSTEM

8) Extend the wiring of deployment tool to the limit, and make sure that the vehicle is empty. Close all the windows, sunroof and rear gate completely.



9) Move the battery at least 5 m (16 ft) from vehicle, and secure the nearby area. Connect the deployment tool alligator clip to the battery negative (-) terminal.

10) Connect the other cable of deployment tool to the battery positive (+) terminal, and deploy the airbag module.

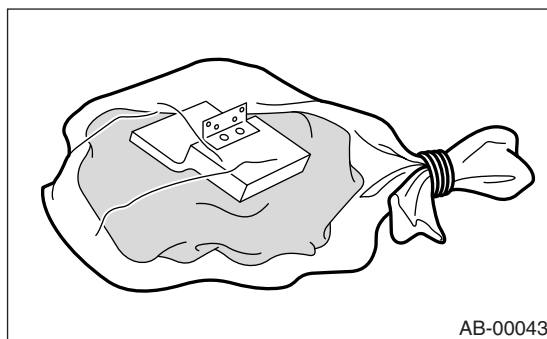


### CAUTION:

- After deployment, the airbag module will be especially hot, leave it unattended for 40 minutes, and then discard it.
- Do not let water get on the deployed airbag module.

11) Remove the airbag module. <Ref. to AB-15, Passenger's Airbag Module.>

12) Wrap the airbag module in an airtight vinyl bag, and discard it.

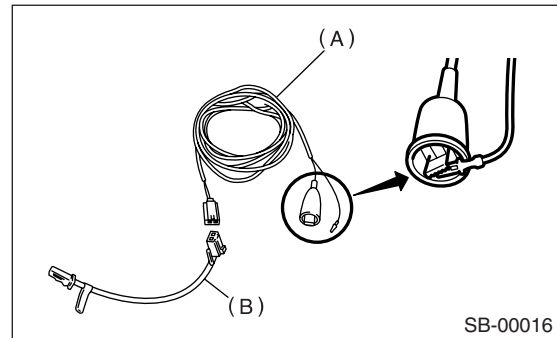


## 3. SIDE AIRBAG MODULE

- 1) Turn the ignition switch to OFF.
- 2) Disconnect the ground cable from battery and wait for at least 20 seconds before starting work.
- 3) Disconnect the side airbag module connector (yellow) under the front seat cushion.
- 4) Set the backrest at most standing position, and then set the seat position at center of slide rail.
- 5) Short the terminal to alligator clip furnished as deployment tool (A)
- 6) Connect the deployment tool and deployment adapter A (B).

### CAUTION:

The deployment tool should be kept shorted terminals until just before deployment of airbag module.



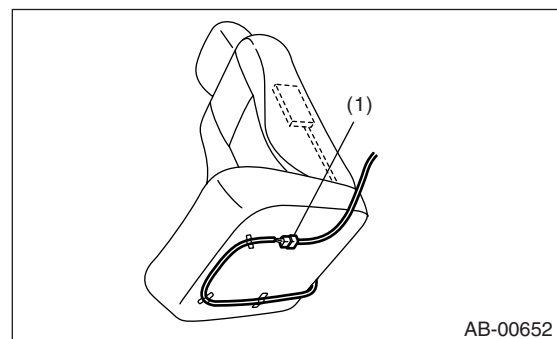
(A) Deployment tool:  
(Tool number 98299PA030)

(B) Deployment adapter A:  
(Tool number 98299FC030)

7) Connect the deployment adapter A (1) to the side airbag module connector (yellow).

### CAUTION:

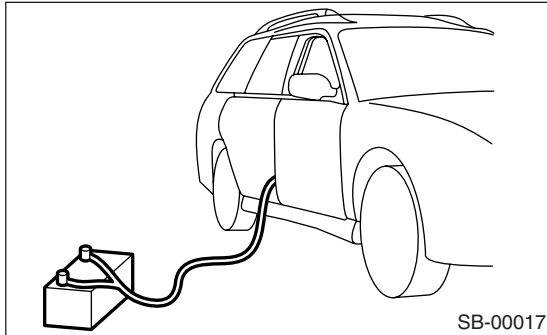
- Do not place any object on front seat.
- Deploy the side airbag one by one to discard it.



## Airbag Module Disposal (Deployment Processing On Vehicle)

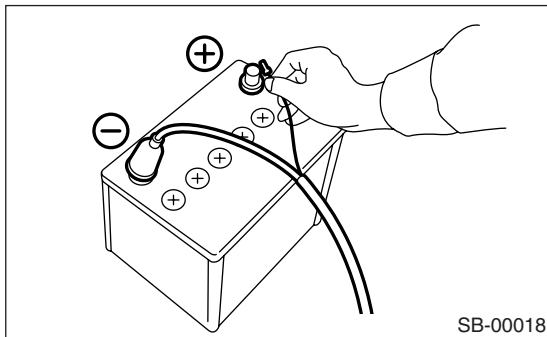
AIRBAG SYSTEM

8) Extend the wiring of deployment tool to the limit, and make sure that the vehicle is empty. Close all the windows, sunroof and rear gate completely.



9) Move the battery at least 5 m (16 ft) from vehicle, and secure the nearby area. Connect the deployment tool alligator clip to the battery negative (-) terminal.

10) Connect the other cable of deployment tool to the battery positive (+) terminal, and deploy the airbag module.

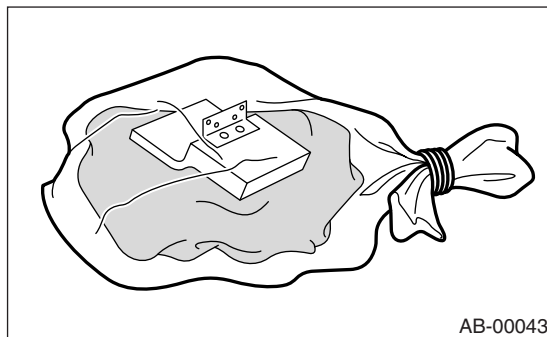


### CAUTION:

- After deployment, the airbag module will be especially hot, leave it unattended for 40 minutes, and then discard it.
- Do not let water get on the deployed airbag module.

11) Remove the side airbag module. <Ref. to AB-16, REMOVAL, Side Airbag Module.>

12) Wrap the deployed airbag module in airtight vinyl bag, and discard it.



# Disposal of Airbag Module (Deploying After Removal from Vehicle)

AIRBAG SYSTEM

## 12. Disposal of Airbag Module (Deploying After Removal from Vehicle)

### A: OPERATION

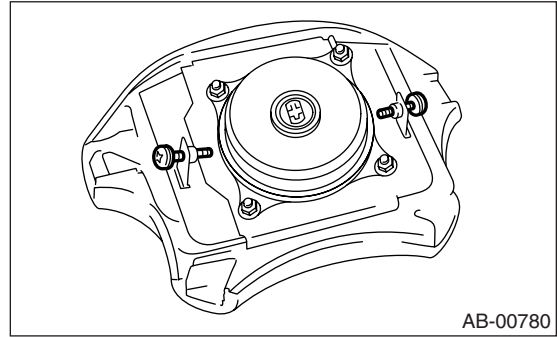
#### CAUTION:

- Do not discard an undeployed airbag module because it may cause serious personal injury when accidentally deployed.
- As a rule, the airbag module should be deployed while still installed in the vehicle. Do not remove the airbag modules unless necessary.
- Deployment of the airbag module should be done on a flat place free from any possible danger. Avoid deploying outdoors during rainy or windy weather.
- Do not damage the airbag module or drop it.
- Deploying the airbag module causes a high explosive noise, be sure to warn people in the area, and do not allow anyone within a 5 m (16 ft) radius of the disposal site.
- Some smoke will be emitted from deployment of the airbag module. Therefore, it must be deployed in a well ventilated place with no smoke detector nearby.
- Wear protective gloves, safety goggles and earplugs during this operation. Wash your hands afterwards.
- After deployment, the airbag module will be especially hot, leave it unattended for 40 minutes, and then discard it.
- Do not let water get on the deployed airbag module.
- Wrap the deployed airbag module in an airtight vinyl bag, and discard it.
- If circumstances do not permit the airbag module deployment, contact the SUBARU dealer.

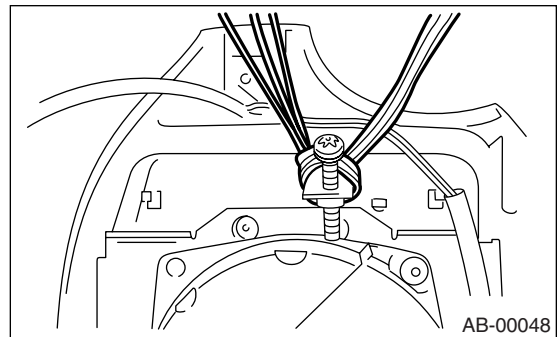
### 1. DRIVER'S AIRBAG MODULE

- 1) Turn the ignition switch to OFF.
- 2) Disconnect the ground cable from battery and wait for at least 20 seconds before starting work.
- 3) Remove the driver's airbag module. <Ref. to AB-14, Driver's Airbag Module.>

- 4) Install the removed bolts to airbag module.



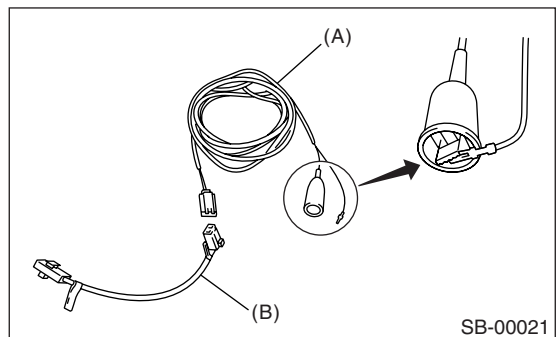
- 5) Bundle three automotive wire harnesses [each with a sectional area of 1.25 mm<sup>2</sup> (0.00194 sq in) or more], and bind them twofold around airbag module stay.



- 6) Short the terminal to alligator clip furnished as deployment tool (A).
- 7) Connect the deployment tool and deployment adapter D (B).

#### CAUTION:

The deployment tool should be kept shorted terminals until just before deployment of airbag module.



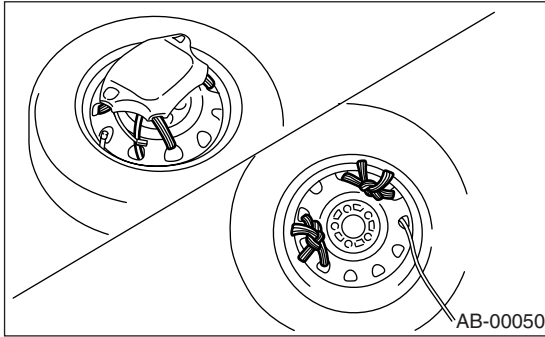
- (A) Deployment tool:  
(Tool number 98299PA030)
- (B) Deployment adapter D:  
(Tool number 98299SA010)

- 8) Connect the deployment adapter D connector to airbag module.

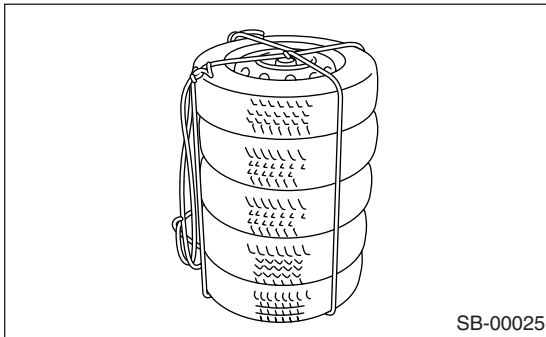
# Disposal of Airbag Module (Deploying After Removal from Vehicle)

AIRBAG SYSTEM

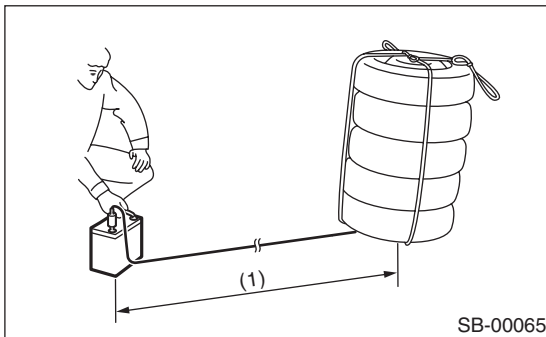
9) Install the airbag module with pad side facing upward on a wheel with tire.



10) Put three tires without wheels on the tire installed with the airbag module. Put on an additional tire with a wheel, and then fasten them tight with a rope.

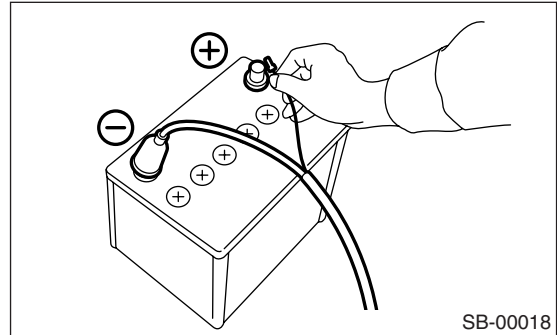


11) Move the battery at least 5 m (16 ft) from vehicle, and secure the nearby area. Connect the deployment tool alligator clip to the battery negative (-) terminal.



(1) 5 m (16 ft) or more

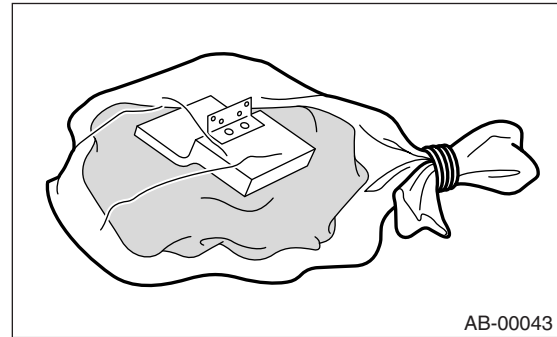
12) Connect the other cable of deployment tool to the battery positive (+) terminal, and deploy the airbag module.



## CAUTION:

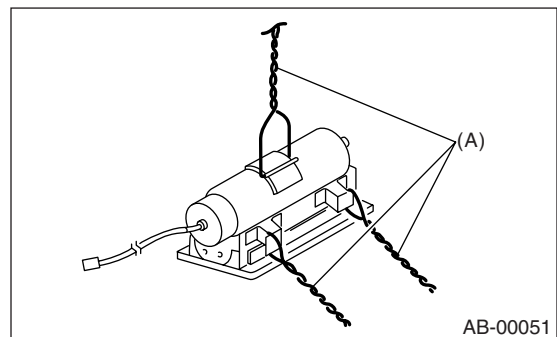
- After deployment, the airbag module will be especially hot, leave it unattended for 40 minutes, and then discard it.
- Do not let water get on the deployed airbag module.

13) Wrap the deployed airbag module in airtight vinyl bag, and discard it.



## 2. PASSENGER'S AIRBAG MODULE

- 1) Turn the ignition switch to OFF.
- 2) Disconnect the ground cable from battery and wait for at least 20 seconds before starting work.
- 3) Remove the passenger airbag module. <Ref. to AB-15, Passenger's Airbag Module.>
- 4) Bundle three automotive wire harnesses [each with a sectional area of  $1.25 \text{ mm}^2$  (0.00194 sq in) or more], route them through airbag module bracket (A). Then, twist them to add strength.



# Disposal of Airbag Module (Deploying After Removal from Vehicle)

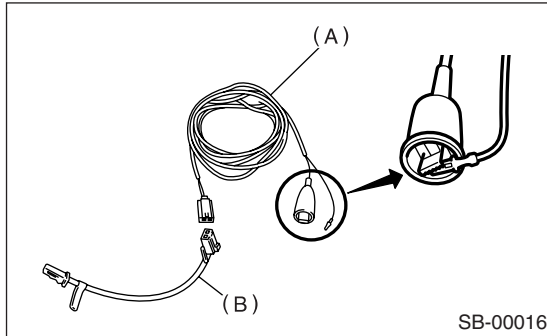
## AIRBAG SYSTEM

5) Short the terminal to alligator clip furnished as deployment tool (A)

6) Connect the deployment tool and deployment adapter E (B).

### CAUTION:

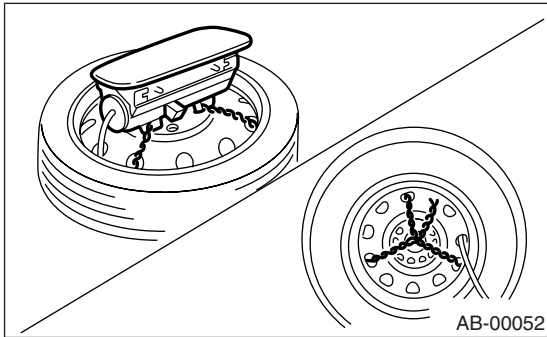
The deployment tool should be kept shorted terminals until just before deployment of airbag module.



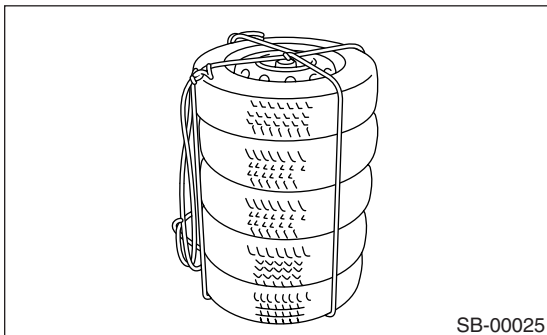
- (A) Deployment tool:  
(Tool number 98299PA030)
- (B) Deployment adapter E:  
(Tool number 98299SA030)

7) Connect the deployment adapter E connector to the airbag module.

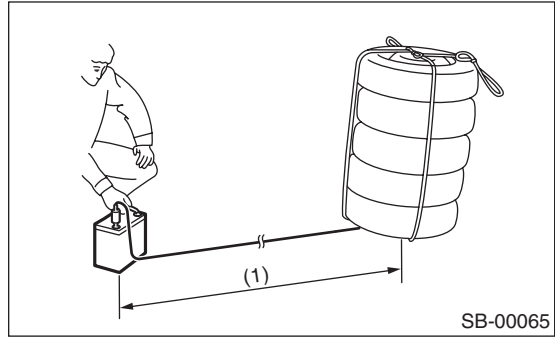
8) Install the airbag module with opening side facing upward on 14-inch or greater size wheel with tire.



9) Put three tires without wheels on the tire installed with the airbag module. Put on an additional tire with a wheel on top, and then fasten them tight with a rope.

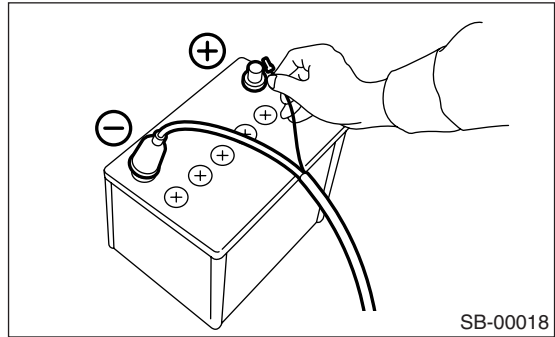


10) Move the battery at least 5 m (16 ft) from vehicle, and secure the nearby area. Connect the deployment tool alligator clip to the battery negative (-) terminal.



(1) 5 m (16 ft) or more

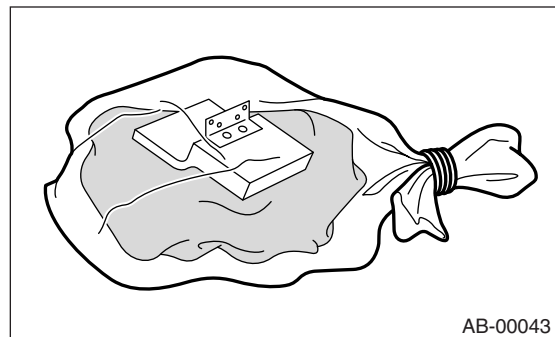
11) Connect the other cable of deployment tool to the battery positive (+) terminal, and deploy the airbag module.



### CAUTION:

- After deployment, the airbag module will be especially hot, leave it unattended for 40 minutes, and then discard it.
- Do not let water get on the deployed airbag module.

12) Wrap the deployed airbag module in airtight vinyl bag, and discard it.



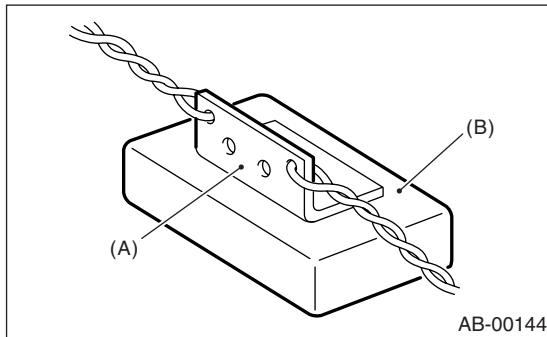


# Disposal of Airbag Module (Deploying After Removal from Vehicle)

AIRBAG SYSTEM

## 3. SIDE AIRBAG MODULE

- 1) Turn the ignition switch to OFF.
- 2) Disconnect the ground cable from battery and wait for at least 20 seconds before starting work.
- 3) Remove the front seats. <Ref. to SE-6, REMOVAL, Front Seat.>
- 4) Remove the side airbag module. <Ref. to AB-16, REMOVAL, Side Airbag Module.>
- 5) Bundle three automotive wire harnesses [each with a sectional area of 1.25 mm<sup>2</sup> (0.00194 sq in) or more], and then bind them through the holes in airbag module bracket.

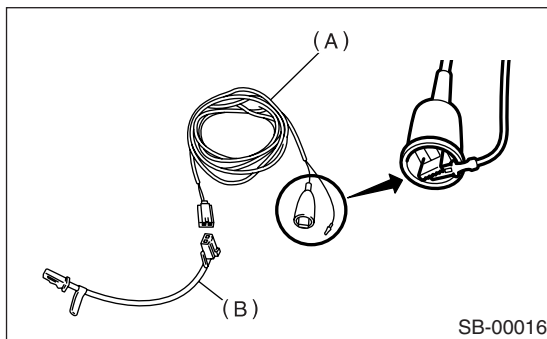


- (A) Airbag module bracket
- (B) Side airbag module

- 6) Short the terminal to alligator clip furnished as deployment tool (A)
- 7) Connect the deployment tool and deployment adapter A (B).

### CAUTION:

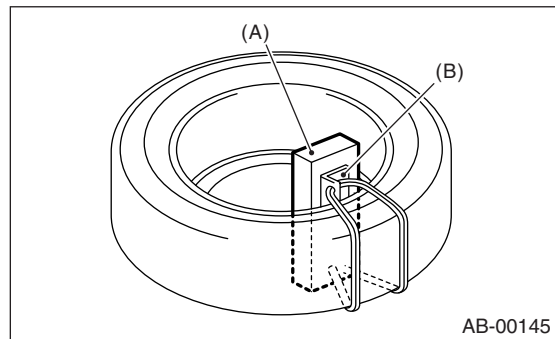
The deployment tool should be kept shorted terminals until just before deployment of airbag module.



- (A) Deployment tool:  
(Tool number 98299PA030)
- (B) Deployment adapter A:  
(Tool number 98299FC030)

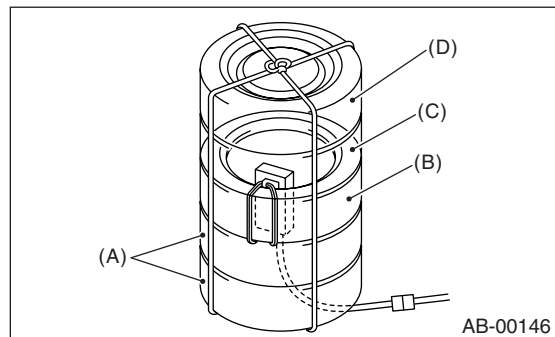
- 8) Connect the deployment adapter A connector to the airbag module.

- 9) Install the airbag module on 14-inch or greater size tire without wheel.

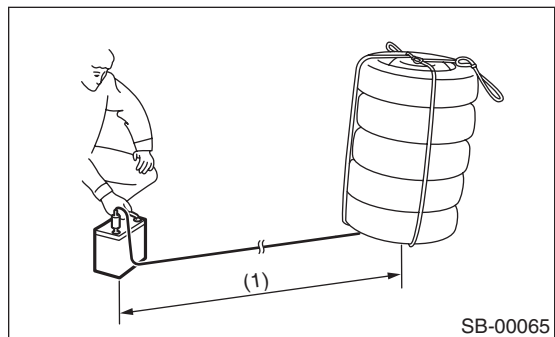


- (A) Pad
- (B) Airbag module bracket

- 10) Put two tires without wheels (A) under the tire installed with the side airbag module (B). Put on an additional tire without a wheel (C), and then put a tire with a wheel (D) on top. Fasten them tight with a rope.



- 11) Move the battery at least 5 m (16 ft) from vehicle, and secure the nearby area. Connect the deployment tool alligator clip to the battery negative (-) terminal.



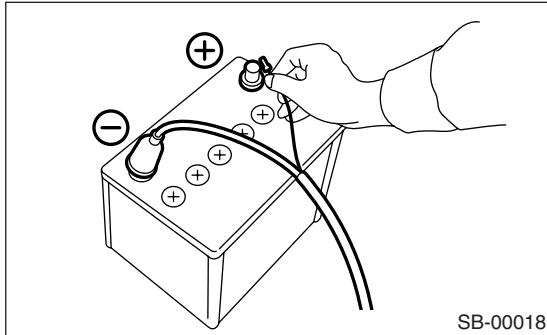
- (1) 5 m (16 ft) or more

## Disposal of Airbag Module (Deploying After Removal from Vehicle)

### AIRBAG SYSTEM

---

12) Connect the other cable of deployment tool to the battery positive (+) terminal, and deploy the airbag module.



### CAUTION:

- After deployment, the airbag module will be especially hot, leave it unattended for 40 minutes, and discard it.
- Do not let water get on the deployed airbag module.

13) Wrap the deployed airbag module in airtight vinyl bag, and discard it.

