

BODY SECTION

This service manual has been prepared to provide SUBARU service personnel with the necessary information and data for the correct maintenance and repair of SUBARU vehicles.

This manual includes the procedures for maintenance, disassembling, reassembling, inspection and adjustment of components and diagnostics for guidance of experienced mechanics.

Please peruse and utilize this manual fully to ensure complete repair work for satisfying our customers by keeping their vehicle in optimum condition. When replacement of parts during repair work is needed, be sure to use SUBARU genuine parts.

All information, illustration and specifications contained in this manual are based on the latest product information available at the time of publication approval.

HVAC SYSTEM (HEATER, VENTILATOR AND A/C)	AC
HVAC SYSTEM (AUTO A/C) (DIAGNOSTIC)	AC
AIRBAG SYSTEM	AB
AIRBAG SYSTEM (DIAGNOSTIC)	AB
SEAT BELT SYSTEM	SB
LIGHTING SYSTEM	LI
WIPER AND WASHER SYSTEM	WW
ENTERTAINMENT	ET
COMMUNICATION SYSTEM	COM
GLASS/WINDOW/MIRROR	GW
BODY STRUCTURE	BS
INSTRUMENTATION/DRIVER INFO	IDI
SEAT	SE
SECURITY AND LOCK	SL
SUNROOF/T-TOP/CONVERTIBLE TOP (SUNROOF)	SR
EXTERIOR/INTERIOR TRIM	EI
EXTERIOR BODY PANEL	EB

BODY SECTION

CRUISE CONTROL SYSTEM CC

CRUISE CONTROL SYSTEM (DIAGNOSTIC) CC(H4SO)

CRUISE CONTROL SYSTEM (DIAGNOSTIC) CC(H4DOTC)

CRUISE CONTROL SYSTEM (DIAGNOSTIC) CC(H4DOTC 2.5)

IMMOBILIZER (DIAGNOSTIC) IM

CRUISE CONTROL SYSTEM (DIAGNOSTIC)

CC(H4DOTC 2.5)

	Page
1. Basic Diagnostic Procedure	2
2. General Description	4
3. Electrical Components Location.....	5
4. Engine Control Module (ECM) I/O Signal	6
5. Subaru Select Monitor.....	8
6. Diagnostic Procedure with Symptom	10
7. List of Diagnostic Trouble Code (DTC)	13
8. Diagnostic Procedure with Diagnostic Trouble Code (DTC)	16

Basic Diagnostic Procedure

CRUISE CONTROL SYSTEM (DIAGNOSTIC)

1. Basic Diagnostic Procedure

A: PROCEDURE

Step	Check	Yes	No	
1	CHECK MALFUNCTION INDICATOR LIGHT. Check the malfunction indicator light illuminates.	Does the malfunction indicator light illuminate?	Go to step 5.	Go to step 2.
2	CHECK CRUISE INDICATOR LIGHT. Check the cruise indicator light blinks.	Does the cruise indicator light blink?	Go to step 5.	Go to step 3.
3	CHECK CRUISE CONTROL MAIN SWITCH OPERATION. Check the cruise control main switch operation. (Check the cruise indicator light illuminates.)	Is the cruise control main switch set to on? (Does the cruise indicator light illuminate?)	Go to step 4.	Go to symptom 1. <Ref. to CC(H4DOTC 2.5)-10, SYMPTOM CHART, Diagnostic Procedure with Symptom.>
4	CHECK CRUISE CONTROL SET OPERATION. Check the cruise control set operation.	Can the cruise control be set while driving at 40 km/h (25 MPH)?	Go to step 6.	Go to step 5.
5	PERFORM CRUISE CONTROL CANCEL CONDITION DIAGNOSIS. Perform the cruise control cancel condition diagnosis.	Are any DTC indicated?	Go to "List of DTC". <Ref. to CC(H4DOTC 2.5)-13, List of Diagnostic Trouble Code (DTC).>	Go to symptom 2. <Ref. to CC(H4DOTC 2.5)-10, SYMPTOM CHART, Diagnostic Procedure with Symptom.>
6	CHECK VEHICLE SPEED IS HELD WITHIN SET SPEED. Make sure the vehicle speed is held within set speed.	Is the vehicle speed held within set speed ± 3 km/h (± 2 MPH)? (Make an inspection on a level road.)	Go to step 7.	Go to symptom 3. <Ref. to CC(H4DOTC 2.5)-10, SYMPTOM CHART, Diagnostic Procedure with Symptom.>
7	CHECK RESUME/ACCEL OPERATION. Check the RESUME/ACCEL switch operation.	Does the vehicle speed increase or return to set speed after RESUME/ACCEL switch has been pressed?	Go to step 8.	Go to symptom 4. <Ref. to CC(H4DOTC 2.5)-10, SYMPTOM CHART, Diagnostic Procedure with Symptom.>
8	CHECK SET/COAST OPERATION. Check the SET/COAST switch operation.	Does the vehicle speed decrease after SET/COAST switch has been pressed?	Go to step 9.	Go to symptom 5. <Ref. to CC(H4DOTC 2.5)-10, SYMPTOM CHART, Diagnostic Procedure with Symptom.>
9	CHECK CANCEL OPERATION. Check the CANCEL switch operation.	Is the cruise control released after CANCEL switch has been pressed?	Go to step 10.	Go to symptom 6. <Ref. to CC(H4DOTC 2.5)-10, SYMPTOM CHART, Diagnostic Procedure with Symptom.>

Basic Diagnostic Procedure

CRUISE CONTROL SYSTEM (DIAGNOSTIC)

Step	Check	Yes	No
10 CHECK CRUISE CONTROL RELEASE OPERATION. Check the cruise control release operation.	Is the cruise control released after brake pedal has been depressed?	Go to step 11.	Go to symptom 7. <Ref. to CC(H4DOTC 2.5)-10, SYMPTOM CHART, Diagnostic Procedure with Symptom.>
11 CHECK CRUISE CONTROL RELEASE OPERATION. Check the cruise control release operation.	Is the cruise control released after clutch pedal has been depressed?	Go to step 12.	Go to symptom 8. <Ref. to CC(H4DOTC 2.5)-10, SYMPTOM CHART, Diagnostic Procedure with Symptom.>
12 CHECK CRUISE CONTROL RELEASE OPERATION. Check the cruise control release operation.	Is the cruise control released after shifting to neutral position?	Finish the diagnosis.	Go to symptom 9. <Ref. to CC(H4DOTC 2.5)-10, SYMPTOM CHART, Diagnostic Procedure with Symptom.>

General Description

CRUISE CONTROL SYSTEM (DIAGNOSTIC)

2. General Description

A: CAUTION

1. SUPPLEMENTAL RESTRAINT SYSTEM “AIRBAG”

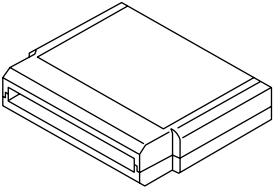

Airbag system wiring harness is routed near the cruise control command switch.

CAUTION:

- All airbag system wiring harness and connectors are colored yellow. Do not use electrical test equipment on these circuits.
- Be careful not to damage the airbag system wiring harness when servicing the cruise control command switch.

B: PREPARATION TOOL

1. SPECIAL TOOL

ILLUSTRATION	TOOL NUMBER	DESCRIPTION	REMARKS
 ST24082AA230	24082AA230 (Newly adopted tool)	CARTRIDGE	Troubleshooting for electrical systems.
 ST22771AA030	22771AA030	SUBARU SELECT MONITOR KIT	Troubleshooting for electrical systems. <ul style="list-style-type: none"> • English: 22771AA030 (Without printer) • German: 22771AA070 (Without printer) • French: 22771AA080 (Without printer) • Spanish: 22771AA090 (Without printer)

2. GENERAL TOOL

TOOL NAME	REMARKS
Circuit tester	Used for measuring resistance, voltage and ampere.

C: INSPECTION

1. BATTERY

Measure the battery voltage and specific gravity of electrolyte.

Standard voltage:

12 V, or more

Specific gravity:

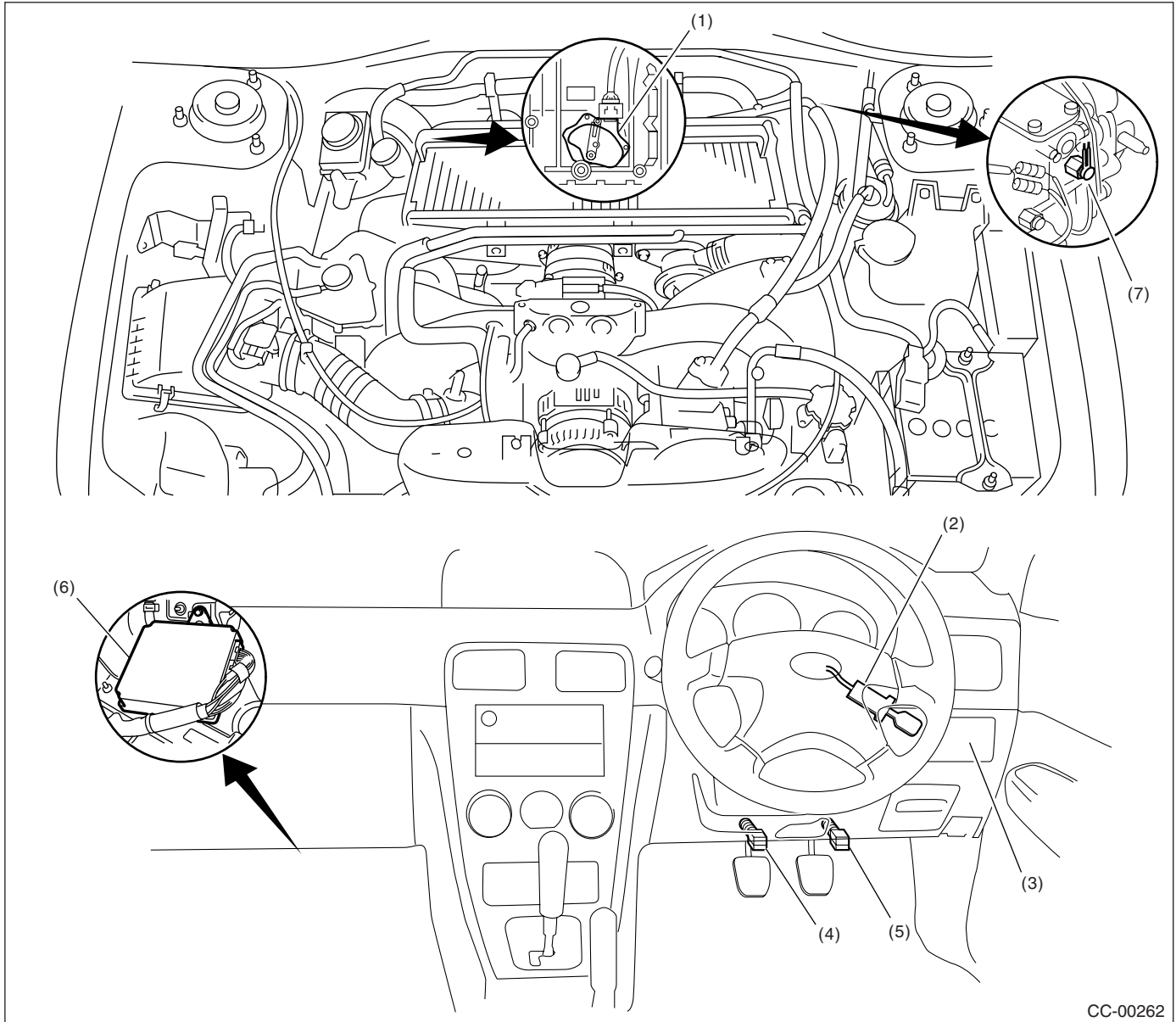
Above 1.260

Electrical Components Location

CRUISE CONTROL SYSTEM (DIAGNOSTIC)

3. Electrical Components Location

A: LOCATION



CC-00262

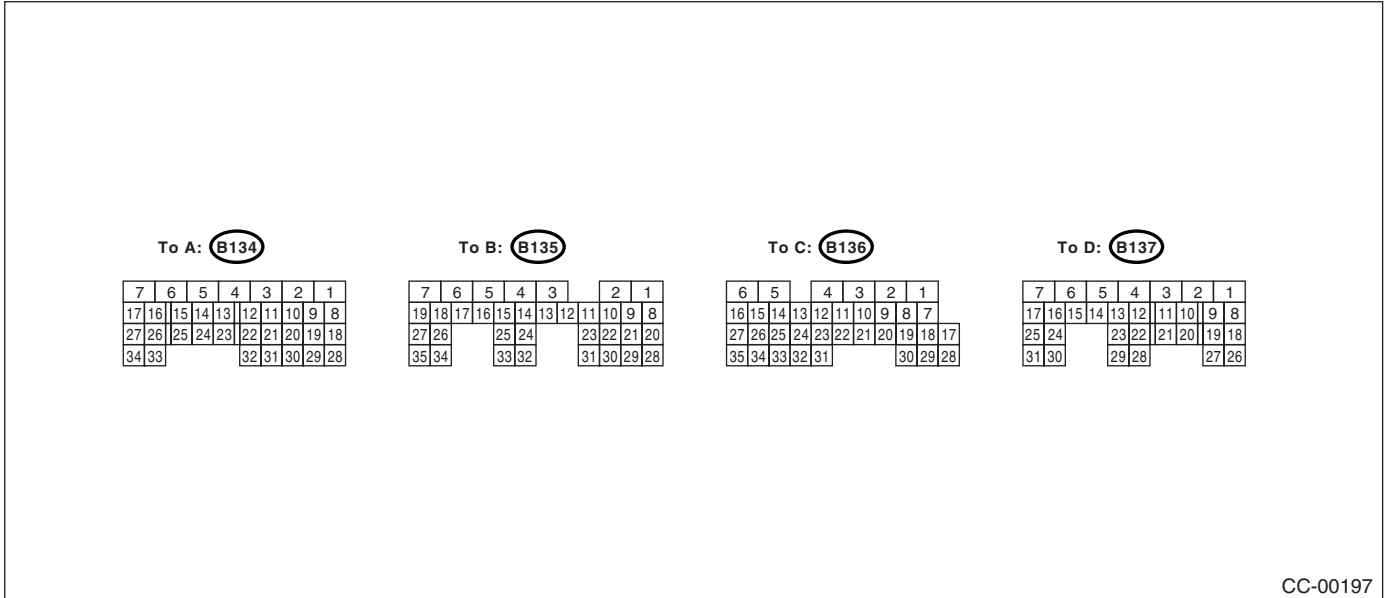
- | | | |
|-----------------------------------|---------------------------------|-------------------------------|
| (1) Inhibitor switch (AT model) | (4) Clutch switch (MT model) | (7) Neutral switch (MT model) |
| (2) Cruise control command switch | (5) Stop light and brake switch | |
| (3) Cruise control main switch | (6) Engine control module (ECM) | |

Engine Control Module (ECM) I/O Signal

CRUISE CONTROL SYSTEM (DIAGNOSTIC)

4. Engine Control Module (ECM) I/O Signal

A: ELECTRICAL SPECIFICATION



CC-00197

Content		Terminal No.	Measuring conditions and I/O signals (ignition switch ON and engine idling)
Clutch switch		A1	<ul style="list-style-type: none"> Battery voltage is present when the clutch pedal is released. "0 V" volt is present when the clutch pedal is depressed.
Cruise indicator light		A15	<ul style="list-style-type: none"> Battery voltage is present when the main switch is turned to OFF. "0 V" volt is present when the main switch is turned to ON.
Main power supply	VB (CONTROL 1) VB (CONTROL 2)	B6 B5	<ul style="list-style-type: none"> Battery voltage is present when the main power supply is turned to ON. "0 V" volt is present when the main power supply is turned to OFF.
Vehicle speed signal		B26	Lift-up the vehicle until all four wheels are raised off the ground, and then rotate any wheel manually. Approx. "5 V" and "0 V" pulse signals are alternately input to ECM.
SET/COAST switch		C11	<ul style="list-style-type: none"> Battery voltage is present when the command switch is turned to SET/COAST position. "0 V" volt is present when the command switch is released.
RESUME/ACCEL switch		C10	<ul style="list-style-type: none"> Battery voltage is present when the command switch is turned to RESUME/ACCEL position. "0 V" volt is present when the command switch is released.
Brake switch 1 (Brake switch)		C9	<ul style="list-style-type: none"> Battery voltage is present when the brake pedal is released. "0 V" volt is present when the brake pedal is depressed.
Brake switch 2 (Stop light switch)		C8	<ul style="list-style-type: none"> Battery voltage is present when the brake pedal is depressed. "0 V" volt is present when the brake pedal is released.
Main switch		C7	<ul style="list-style-type: none"> Battery voltage is present while the main switch is depressed or is turned to ON. "0 V" volt is present when the main switch is turned to OFF.
Ground	GND (CONTROL 1) GND (CONTROL 2)	D2 D1	—
Ignition switch		D15	<ul style="list-style-type: none"> Battery voltage is present with the ignition switch is turned to ON. "0 V" volt is present when the ignition switch is turned to OFF.
Neutral switch (MT model)		D9	<ul style="list-style-type: none"> Battery voltage is present when the shift lever is in anywhere except neutral position. "0 V" volt is present when the shift lever is in neutral position.
Inhibitor switch (AT model)		D9	<ul style="list-style-type: none"> "0 V" volt is present when the select lever is in anywhere except N or P position. "5 V" volt is present when the select lever is in N or P position.

Engine Control Module (ECM) I/O Signal

CRUISE CONTROL SYSTEM (DIAGNOSTIC)

B: WIRING DIAGRAM

<Ref. to WI-110, WIRING DIAGRAM, Cruise Control System.>

Subaru Select Monitor

CRUISE CONTROL SYSTEM (DIAGNOSTIC)

5. Subaru Select Monitor

A: OPERATION

1. GENERAL

The on-board diagnosis function of the cruise control system uses the Subaru Select Monitor.

The on-board diagnosis function operates in two categories, which are used depending on the type of problems;

1) Cruise cancel conditions diagnosis:

(1) This category of diagnosis requires actual vehicle driving in order to determine the cause, (as when cruise speed is cancelled during driving although cruise cancel condition is not entered).

(2) Cruise control memory of ECM stores the cancel condition (Code No.) which occurred during driving. When there are plural cancel conditions (Code No.), they are shown on the Subaru Select Monitor.

CAUTION:

- The cruise control memory stores not only the cruise “cancel” which occurred (although “cancel” operation is not entered by the driver), but also the “cancel” condition input by the driver.
- The content of memory is cleared when ignition switch or cruise main switch is turned OFF.

2) Real-time diagnosis:

The real-time diagnosis function is used to determine whether or not the input signal system is in good order, according to signal emitted from switches, sensors, etc.

(1) Vehicle cannot be driven at cruise speed because problem occurs in the cruise control system or its associated circuits.

(2) Monitor the signal conditions from switches and sensors.

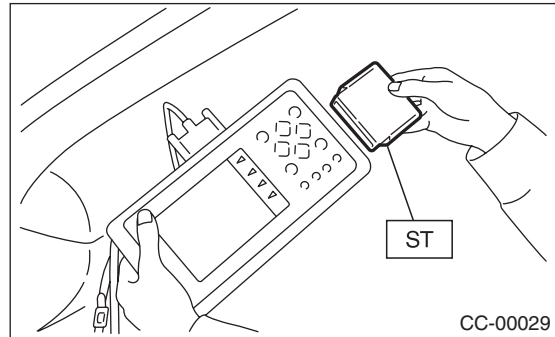
2. CRUISE CANCEL CONDITIONS DIAGNOSIS

1) Prepare the Subaru Select Monitor kit.



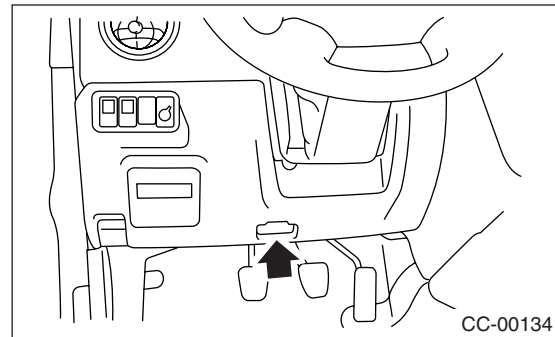
2) Connect the diagnosis cable to Subaru Select Monitor.

3) Insert the cartridge into Subaru Select Monitor. <Ref. to CC(H4DOTC 2.5)-4, SPECIAL TOOL, PREPARATION TOOL, General Description.>



4) Connect the Subaru Select Monitor to data link connector.

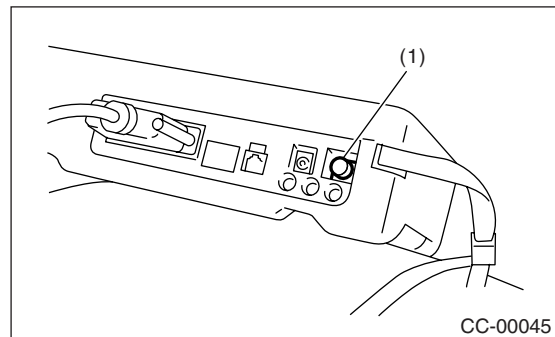
(1) Data link connector is located in the lower portion of the instrument panel (on the driver's side).



(2) Connect the diagnosis cable to data link connector.

5) Start the engine and turn the cruise control main switch to ON.

6) Turn the Subaru Select Monitor switch to ON.



(1) Power switch

7) On the «Main Menu» display screen, select the {2. Each System Diagnosis} and press [YES] key. Select the {Engine} on the System Selection display screen and press [YES] key. Press [YES] key after the engine type displayed.

8) Drive the vehicle at least 40 km/h (25 MPH) with cruise speed set.

9) If the cruise speed is canceled itself (without doing any cancel operations), DTC will appear on select monitor display after {Cancel Code(s) Display} is selected on the Engine Diagnosis display screen and [YES] key is pressed.

CAUTION:

- **DTC will also appear when cruise cancel is effected by driver. Do not confuse.**
- **Have a co-worker ride in the vehicle to assist in diagnosis during driving.**

NOTE:

DTC will be cleared by turning the ignition switch or cruise control main switch to OFF.

3. REAL-TIME DIAGNOSIS

- 1) Connect the select monitor.
- 2) Turn the ignition switch and cruise control main switch to ON.
- 3) Turn the Subaru Select Monitor switch to ON.
- 4) On the «Main Menu» display screen, select the {2. Each System Check} and press [YES] key.
- 5) On the «System Selection» display screen, select the {Engine} and press [YES] key.
- 6) Press the [YES] key after the information of engine type displayed.
- 7) On the «Engine Diagnosis» display screen, select the {Current Data Display & Save} and press [YES] key.
- 8) Make sure that normal indication is displayed when controls are operated as indicated below:
 - Depress/release the brake pedal. (Stop light switch and brake switch turn ON.)
 - Turn ON the “SET/COAST” switch.
 - Turn ON the “RESUME/ACCEL” switch.
 - Turn ON the “CANCEL” switch. (The “SET/COAST” and “RESUME/ACCEL” switch are turned ON at same time.)
 - Depress/release the clutch pedal.
 - Set the shift lever to except for neutral position.

NOTE:

- For detailed operation procedure, refer to the “SUBARU SELECT MONITOR OPERATION MANUAL.”
- For details concerning DTCs, refer to the “List of Diagnostic Trouble Code (DTC).” <Ref. to CC(H4DOTC 2.5)-13, List of Diagnostic Trouble Code (DTC).>

Diagnostic Procedure with Symptom

CRUISE CONTROL SYSTEM (DIAGNOSTIC)

6. Diagnostic Procedure with Symptom

A: SYMPTOM CHART

Symptom		Repair area	Reference
1	Cruise control main switch is not turned to ON. (Cruise indicator light does not illuminate)	(1) Check the cruise indicator light.	<Ref. to CC(H4DOTC 2.5)-11, CHECK CRUISE INDICATOR LIGHT, Diagnostic Procedure with Symptom.>
		(2) Check the cruise control command switch.	<Ref. to CC(H4DOTC 2.5)-16, DTC 11, 15, 21 AND 24 CRUISE CONTROL COMMAND SWITCH, Diagnostic Procedure with Diagnostic Trouble Code (DTC).>
2	Cruise control cannot be set.	(1) Check the cruise control command switch	<Ref. to CC(H4DOTC 2.5)-16, DTC 11, 15, 21 AND 24 CRUISE CONTROL COMMAND SWITCH, Diagnostic Procedure with Diagnostic Trouble Code (DTC).>
		(2) Check the stop light switch and brake switch.	<Ref. to CC(H4DOTC 2.5)-18, DTC 12 AND 25 STOP LIGHT SWITCH AND BRAKE SWITCH, Diagnostic Procedure with Diagnostic Trouble Code (DTC).>
		(3) Check the clutch switch.	<Ref. to CC(H4DOTC 2.5)-20, DTC 13 CLUTCH SWITCH, Diagnostic Procedure with Diagnostic Trouble Code (DTC).>
		(4) Check the neutral switch.	<Ref. to CC(H4DOTC 2.5)-22, DTC 14 NEUTRAL POSITION SWITCH, Diagnostic Procedure with Diagnostic Trouble Code (DTC).>
		(5) Check the vehicle speed sensor.	<Ref. to CC(H4DOTC 2.5)-26, DTC 22 AND 32 VEHICLE SPEED SENSOR, Diagnostic Procedure with Diagnostic Trouble Code (DTC).>
3	Vehicle speed is not held within set speed ± 3 km/h (± 2 MPH).	Check the vehicle speed sensor.	<Ref. to CC(H4DOTC 2.5)-26, DTC 22 AND 32 VEHICLE SPEED SENSOR, Diagnostic Procedure with Diagnostic Trouble Code (DTC).>
4	Vehicle speed does not increase or does not return to set speed after RESUME/ACCEL switch has been pressed.	Check the RESUME/ACCEL switch.	<Ref. to CC(H4DOTC 2.5)-16, DTC 11, 15, 21 AND 24 CRUISE CONTROL COMMAND SWITCH, Diagnostic Procedure with Diagnostic Trouble Code (DTC).>
5	Vehicle speed does not decrease after SET/COAST switch has been pressed.	Check the SET/COAST switch.	<Ref. to CC(H4DOTC 2.5)-16, DTC 11, 15, 21 AND 24 CRUISE CONTROL COMMAND SWITCH, Diagnostic Procedure with Diagnostic Trouble Code (DTC).>
6	Cruise control is not released after CANCEL switch has been pressed.	Check the CANCEL switch.	<Ref. to CC(H4DOTC 2.5)-16, DTC 11, 15, 21 AND 24 CRUISE CONTROL COMMAND SWITCH, Diagnostic Procedure with Diagnostic Trouble Code (DTC).>
7	Cruise control is not released after the brake pedal has been depressed.	Check the stop light switch and brake switch.	<Ref. to CC(H4DOTC 2.5)-18, DTC 12 AND 25 STOP LIGHT SWITCH AND BRAKE SWITCH, Diagnostic Procedure with Diagnostic Trouble Code (DTC).>
8	Cruise control is not released after the clutch pedal has been depressed.	Check the clutch switch.	<Ref. to CC(H4DOTC 2.5)-20, DTC 13 CLUTCH SWITCH, Diagnostic Procedure with Diagnostic Trouble Code (DTC).>
9	Cruise control is not released after shifting to neutral position.	Check the neutral switch.	<Ref. to CC(H4DOTC 2.5)-22, DTC 14 NEUTRAL POSITION SWITCH, Diagnostic Procedure with Diagnostic Trouble Code (DTC).>

Diagnostic Procedure with Symptom

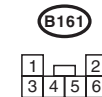
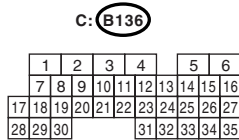
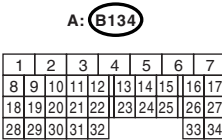
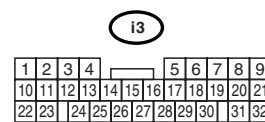
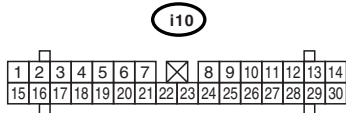
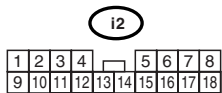
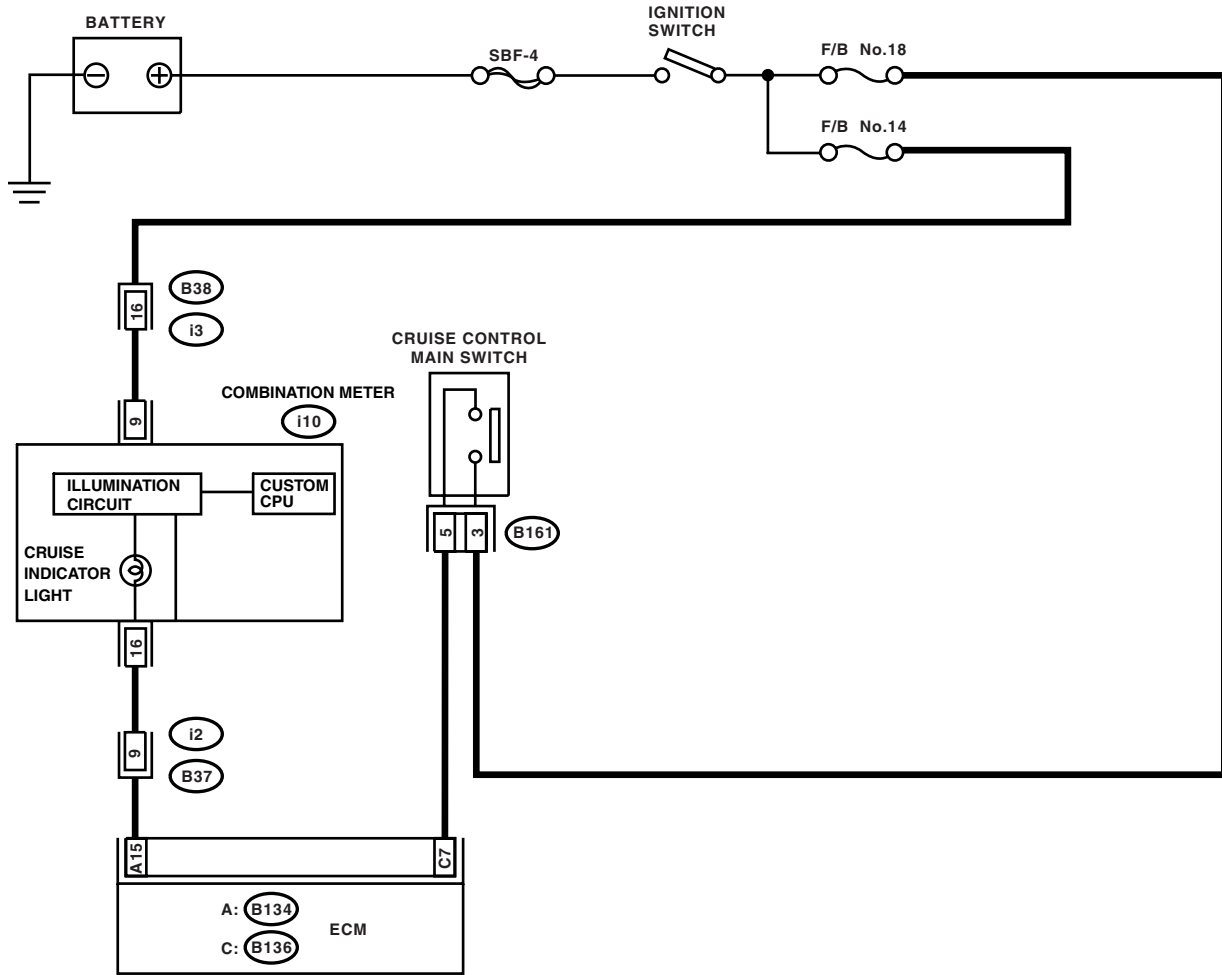
CRUISE CONTROL SYSTEM (DIAGNOSTIC)

B: CHECK CRUISE INDICATOR LIGHT

TROUBLE SYMPTOM:

Cruise control can be set, but cruise indicator light does not illuminate.

WIRING DIAGRAM:



CC-00255

Diagnostic Procedure with Symptom

CRUISE CONTROL SYSTEM (DIAGNOSTIC)

Step	Check	Yes	No
<p>1</p> <p>CHECK CRUISE INDICATOR LIGHT CIRCUIT.</p> <p>1) Turn the ignition switch to OFF. 2) Disconnect the combination meter harness connector. 3) Turn the ignition switch to ON. 4) Measure the voltage between harness connector terminal and chassis ground.</p> <p>Connector & terminal <i>(i10) No. 9 (+) — Chassis ground (-):</i></p>	Is the voltage more than 10 V?	Go to step 2.	<ul style="list-style-type: none"> • Check the fuse No. 14 (in fuse & relay box). • Check the harness for open or short between combination meter and fuse & relay box.
<p>2</p> <p>CHECK CRUISE INDICATOR LIGHT CIRCUIT.</p> <p>1) Turn the ignition switch to OFF. 2) Disconnect the ECM harness connector. 3) Measure the resistance between ECM harness connector terminal and combination meter harness connector terminal.</p> <p>Connector & terminal <i>(B134) No. 15 — (i10) No. 16:</i></p>	Is the resistance less than 10 Ω ?	Go to step 3.	Repair the harness.
<p>3</p> <p>CHECK CRUISE INDICATOR LIGHT CIRCUIT.</p> <p>Ground the ECM harness connector terminal with a suitable wire.</p> <p>Connector & terminal <i>(B134) No. 15 — Chassis ground:</i></p>	Does the cruise indicator light illuminate?	Check the poor contact of ECM connector.	Replace the meter main assembly.

List of Diagnostic Trouble Code (DTC)

CRUISE CONTROL SYSTEM (DIAGNOSTIC)

7. List of Diagnostic Trouble Code (DTC)

A: LIST

DTC	Item	Contents of diagnosis	Reference
11	Main switch	Cruise control is released after the main switch of cruise control command switch is turned to OFF.	This DTC is indicated without operating the main switch. <Ref. to CC(H4DOTC 2.5)-16, DTC 11, 15, 21 AND 24 CRUISE CONTROL COMMAND SWITCH, Diagnostic Procedure with Diagnostic Trouble Code (DTC).>
12	Stop and brake switch	Cruise control is released after the stop light switch or brake switch is turned to ON.	This DTC is indicated without depressing the brake pedal. <Ref. to CC(H4DOTC 2.5)-18, DTC 12 AND 25 STOP LIGHT SWITCH AND BRAKE SWITCH, Diagnostic Procedure with Diagnostic Trouble Code (DTC).>
13	Clutch switch	Cruise control is released after the clutch switch is turned to ON.	This DTC is indicated without depressing the clutch pedal. <Ref. to CC(H4DOTC 2.5)-20, DTC 13 CLUTCH SWITCH, Diagnostic Procedure with Diagnostic Trouble Code (DTC).>
14	Neutral switch	Cruise control is released after the neutral position switch is turned to ON.	This DTC is indicated without shifting to neutral position. <Ref. to CC(H4DOTC 2.5)-22, DTC 14 NEUTRAL POSITION SWITCH, Diagnostic Procedure with Diagnostic Trouble Code (DTC).>
15	Cancel switch	Cruise control is released after the cancel switch is turned to ON.	This DTC is indicated without operating the cancel switch. <Ref. to CC(H4DOTC 2.5)-16, DTC 11, 15, 21 AND 24 CRUISE CONTROL COMMAND SWITCH, Diagnostic Procedure with Diagnostic Trouble Code (DTC).>
16	Ignition switch	Cruise control is released after the ignition switch is turned to OFF.	This DTC is indicated without operating the ignition switch. <Ref. to CC(H4DOTC 2.5)-24, DTC 16 IGNITION SWITCH, Diagnostic Procedure with Diagnostic Trouble Code (DTC).>

List of Diagnostic Trouble Code (DTC)

CRUISE CONTROL SYSTEM (DIAGNOSTIC)

DTC	Item	Contents of diagnosis	Reference
21	Cruise control switch is abnormal when the ignition switch is turned to ON.	Each switch of cruise control command switch has already been ON when the ignition switch is turned to ON.	This DTC is indicated without operating the main switch. <Ref. to CC(H4DOTC 2.5)-16, DTC 11, 15, 21 AND 24 CRUISE CONTROL COMMAND SWITCH, Diagnostic Procedure with Diagnostic Trouble Code (DTC).>
22	Vehicle speed variation is abnormal.	Abnormality of vehicle speed variation is detected.	<Ref. to CC(H4DOTC 2.5)-26, DTC 22 AND 32 VEHICLE SPEED SENSOR, Diagnostic Procedure with Diagnostic Trouble Code (DTC).>
23	Engine-related sensor is abnormal.	Abnormality related to engine is detected.	<Ref. to CC(H4DOTC 2.5)-2, Basic Diagnostic Procedure.>
24	Cruise control-related switch is abnormal.	Abnormality of command switch is detected. (Open circuit is detected when continuing to be ON for an extremely long time [approx. two minutes].)	This DTC is indicated with normal operation. <Ref. to CC(H4DOTC 2.5)-16, DTC 11, 15, 21 AND 24 CRUISE CONTROL COMMAND SWITCH, Diagnostic Procedure with Diagnostic Trouble Code (DTC).>
25	Brake switch input circuit is abnormal.	Abnormality of brake switch input circuit in ECM is detected.	<Ref. to CC(H4DOTC 2.5)-18, DTC 12 AND 25 STOP LIGHT SWITCH AND BRAKE SWITCH, Diagnostic Procedure with Diagnostic Trouble Code (DTC).>
26	Engine speed signal.	<ul style="list-style-type: none"> • Abnormal increase of engine speed is detected. • Gear is shifted to neutral, 1st or reverse position. 	Cruise with more than 2nd shift position.
32	Out of vehicle speed range of cruise control operation.	<ul style="list-style-type: none"> • Vehicle speed becomes under the control limit during cruise driving. • Set operation is conducted out of vehicle speed range for setting • RESUME operation is conducted without vehicle speed memory. 	This DTC is also indicated when increasing the speed to the cruise set available vehicle speed and conducting the set operation again. <Ref. to CC(H4DOTC 2.5)-26, DTC 22 AND 32 VEHICLE SPEED SENSOR, Diagnostic Procedure with Diagnostic Trouble Code (DTC).>
33	Prohibition of WAIT after acceleration operation.	Vehicle speed becomes over the control limit during cruise driving.	This DTC is indicated when running at the high speed which is not suitable for cruise control. In this case, conduct the cruise set operation again after decreasing the speed to the cruise set available vehicle speed.

List of Diagnostic Trouble Code (DTC)

CRUISE CONTROL SYSTEM (DIAGNOSTIC)

DTC	Item	Contents of diagnosis	Reference
34	Prohibition when accelerator pedal position is continued to be large.	Vehicle is driven at the higher speed than set vehicle speed for an extremely long time (approx. 10 minutes) during cruise driving.	This DTC is indicated when running for a long time at the higher speed than cruise set available vehicle speed by accelerator operation. In this case, release the cruise set.
35	Prohibition when vehicle speed feedback is impossible.	During cruise driving, set vehicle speed cannot be maintained for some reasons such as sharp upslope, parking brake and engine output abnormal decrease.	This DTC is indicated when the driving condition is not suitable for cruise control. Conduct the cruise set operation again after clearing the estimated reasons.

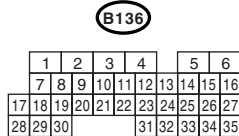
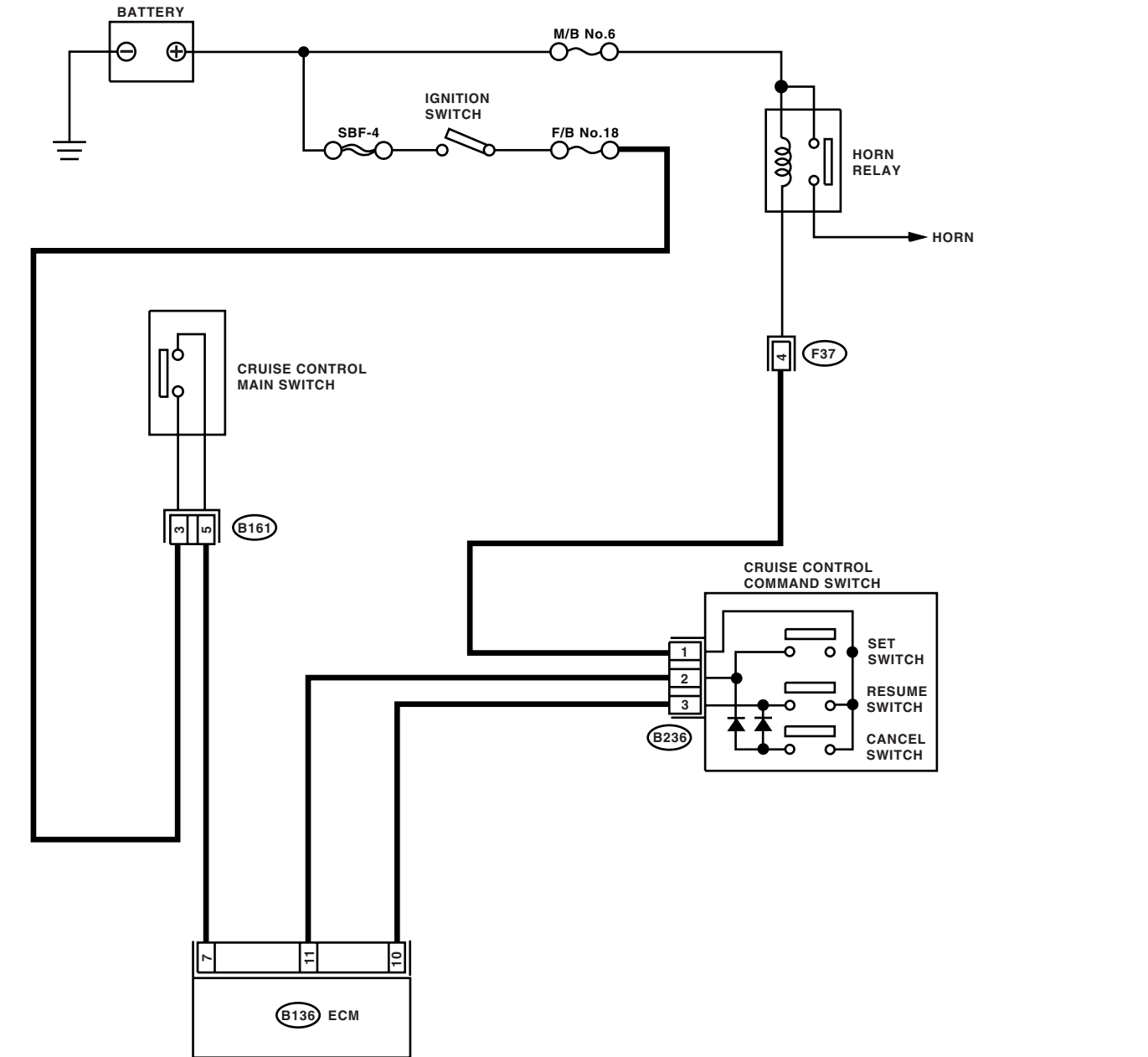
8. Diagnostic Procedure with Diagnostic Trouble Code (DTC)

A: DTC 11, 15, 21 AND 24 CRUISE CONTROL COMMAND SWITCH

TROUBLE SYMPTOM:

- Cruise control cannot be set. (Cancelled immediately.)
- Cruise control cannot be released.

WIRING DIAGRAM:



Diagnostic Procedure with Diagnostic Trouble Code (DTC)

CRUISE CONTROL SYSTEM (DIAGNOSTIC)

Step	Check	Yes	No
1 CHECK CRUISE CONTROL MAIN SWITCH CIRCUIT. 1) Turn the ignition switch to OFF. 2) Disconnect the ECM harness connector. 3) Turn the ignition switch to ON. 4) Measure the voltage between harness connector terminal and chassis ground when the main switch is pressed and is not pressed. <i>Connector & terminal</i> <i>(B136) No. 7 (+) — Chassis ground (-):</i>	Is the voltage 0 V when the main switch is not pressed? Is the voltage more than 10 V when the main switch is pressed?	Go to step 2.	<ul style="list-style-type: none"> • Check the fuse No. 18 (in fuse & relay box). • Check the harness for open or short between cruise control command switch and fuse & relay box. If no malfunction is found after checking above, Go to step 6.
2 CHECK SET/COAST SWITCH CIRCUIT. 1) Turn the ignition switch to OFF. 2) Disconnect the ECM harness connector. 3) Measure the voltage between harness connector terminal and chassis ground when SET/COAST switch is pressed and not pressed. <i>Connector & terminal</i> <i>(B136) No. 11 (+) — Chassis ground (-):</i>	Is the voltage 0 V when SET/COAST switch is not pressed? Is the voltage more than 10 V when SET/COAST switch is pressed?	Go to step 3.	Go to step 5.
3 CHECK RESUME/ACCEL SWITCH CIRCUIT. Measure the voltage between harness connector terminal and chassis ground when RESUME/ACCEL switch is pressed and not pressed. <i>Connector & terminal</i> <i>(B136) No. 10 (+) — Chassis ground (-):</i>	Is the voltage 0 V when RESUME/ACCEL switch is not pressed? Is the voltage more than 10 V when RESUME/ACCEL switch is pressed?	Go to step 4.	Go to step 5.
4 CHECK CANCEL SWITCH CIRCUIT. Measure the voltage between harness connector terminal and chassis ground when CANCEL switch is pressed and not pressed. <i>Connector & terminal</i> <i>(B136) No. 10 (+) — Chassis ground (-):</i> <i>(B136) No. 11 (+) — Chassis ground (-):</i>	Is the voltage 0 V when CANCEL switch is not pressed? Is the voltage more than 10 V when CANCEL switch is pressed?	Cruise control command switch circuit is OK.	Go to step 5.
5 CHECK POWER SUPPLY FOR COMMAND SWITCH. Check the horn operation.	Does the horn sound?	Go to step 6.	<ul style="list-style-type: none"> • Check the fuse No. 6 (in main fuse box). • Check the horn relay. <Ref. to COM-3, HORN RELAY, INSPECTION, Horn System.> • Check the harness for open or short between cruise control command switch and fuse & relay box.
6 CHECK CRUISE CONTROL COMMAND SWITCH. Remove and check the cruise control command switch. <Ref. to CC-9, Cruise Control Command Switch.>	Is the cruise control command switch OK?	Check the harness between cruise control command switch and ECM.	Replace the cruise control command switch.

Diagnostic Procedure with Diagnostic Trouble Code (DTC)

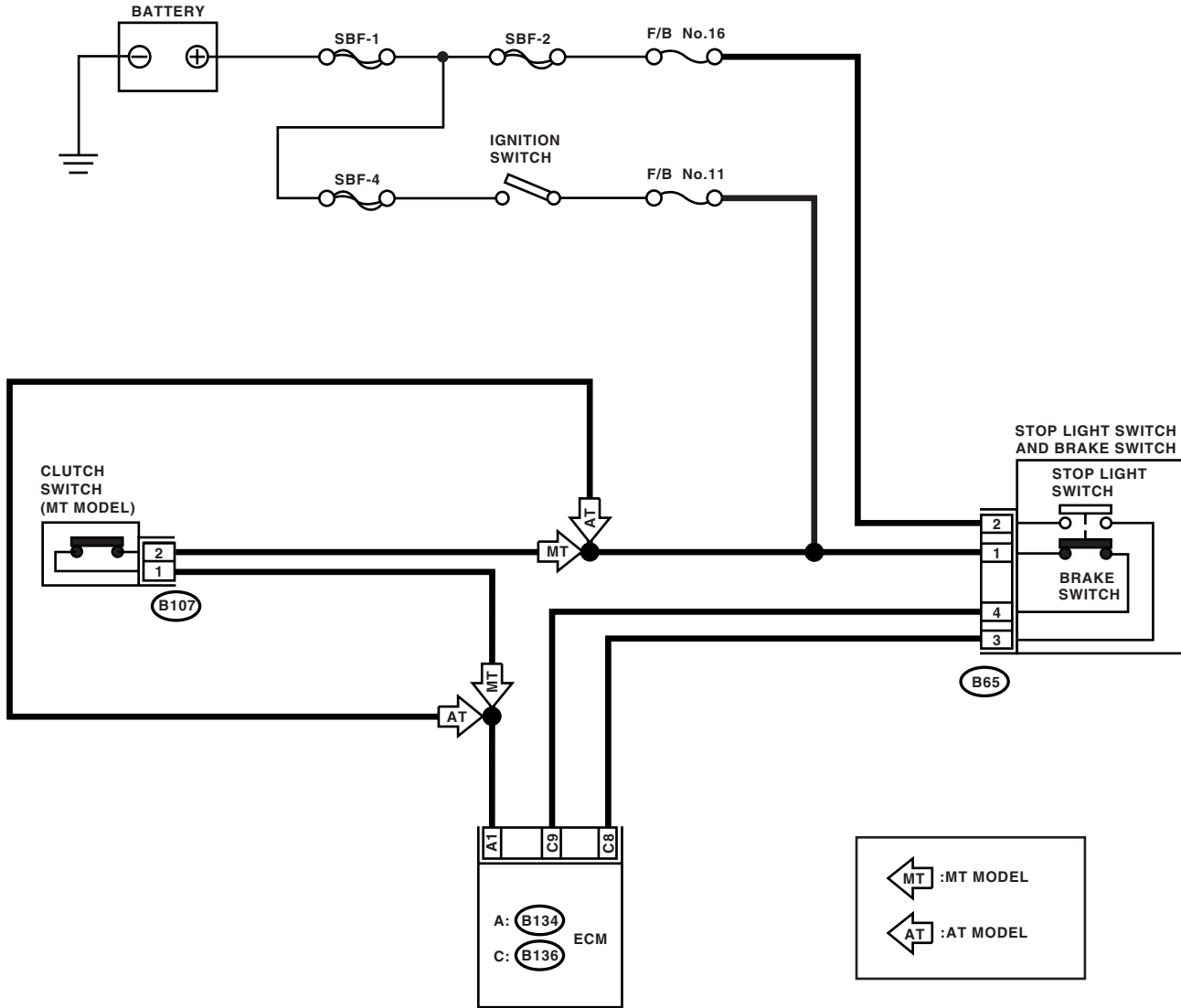
CRUISE CONTROL SYSTEM (DIAGNOSTIC)

B: DTC 12 AND 25 STOP LIGHT SWITCH AND BRAKE SWITCH

TROUBLE SYMPTOM:

- Cruise control cannot be set.
- Cruise control cannot be released.

WIRING DIAGRAM:



B107



B65



A: B134

1	2	3	4	5	6	7
8	9	10	11	12	13	14
15	16	17	18	19	20	21
22	23	24	25	26	27	
28	29	30	31	32	33	34

C: B136

1	2	3	4	5	6
7	8	9	10	11	12
13	14	15	16	17	18
19	20	21	22	23	24
25	26	27	28	29	30
31	32	33	34	35	

Diagnostic Procedure with Diagnostic Trouble Code (DTC)

CRUISE CONTROL SYSTEM (DIAGNOSTIC)

Step	Check	Yes	No
1 CHECK STOP LIGHT SWITCH AND BRAKE SWITCH CIRCUIT. 1) Turn the ignition switch to OFF. 2) Disconnect the stop light switch and brake switch harness connector. 3) Turn the ignition switch to ON. 4) Measure the voltage between harness connector terminal and chassis ground. <i>Connector & terminal</i> <i>(B65) No. 2 (+) — Chassis ground (-):</i>	Is the voltage more than 10 V?	Go to step 2.	<ul style="list-style-type: none"> • Check the fuse No. 16 (in fuse & relay box). • Check the harness for open or short between stop light/brake switch and fuse & relay box.
2 CHECK STOP LIGHT SWITCH AND BRAKE SWITCH CIRCUIT. Measure the voltage between harness connector terminal and chassis ground. <i>Connector & terminal</i> <i>(B65) No. 1 (+) — Chassis ground (-):</i>	Is the voltage more than 10 V?	Go to step 3.	<ul style="list-style-type: none"> • Check the fuse No. 11 (in fuse & relay box). • Check the harness for open or short between stop light/brake switch and fuse & relay box. • Check the clutch switch and circuit.
3 CHECK STOP LIGHT SWITCH AND BRAKE SWITCH CIRCUIT. 1) Turn the ignition switch to OFF. 2) Disconnect the ECM harness connector. 3) Measure the resistance between ECM harness connector terminal and stop light switch and brake switch harness connector terminal. <i>Connector & terminal</i> <i>(B136) No. 8 — (B65) No. 3:</i> <i>(B136) No. 9 — (B65) No. 4:</i>	Is the resistance less than 10 Ω ?	Go to step 4.	Repair the harness.
4 CHECK STOP LIGHT SWITCH AND BRAKE SWITCH. Remove and check the stop light switch and brake switch. <Ref. to CC-10, Stop and Brake Switch.>	Are the stop light switch and brake switch OK?	Stop light switch and brake switch circuit are OK.	Replace the stop light switch and brake switch.

Diagnostic Procedure with Diagnostic Trouble Code (DTC)

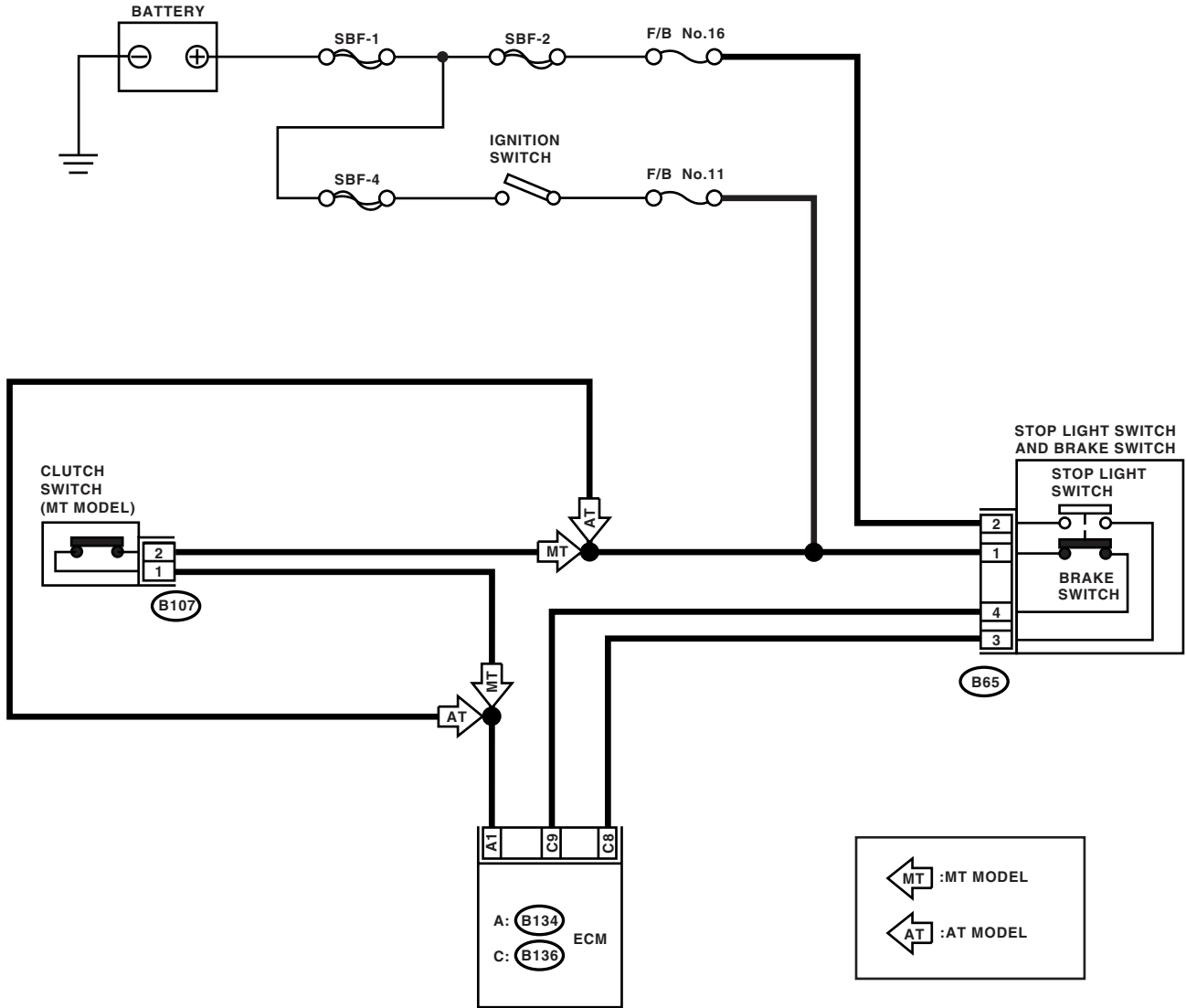
CRUISE CONTROL SYSTEM (DIAGNOSTIC)

C: DTC 13 CLUTCH SWITCH

TROUBLE SYMPTOM:

- Cruise control cannot be set.
- Cruise control cannot be released.

WIRING DIAGRAM:



B107

1	2
---	---

B65

1	2
3	4

A: B134

1	2	3	4	5	6	7
8	9	10	11	12	13	14
15	16	17	18	19	20	21
22	23	24	25	26	27	
28	29	30	31	32		33
						34

C: B136

1	2	3	4	5	6
7	8	9	10	11	12
13	14	15	16	17	18
19	20	21	22	23	24
25	26	27			
28	29	30		31	32
				33	34
					35

CC-00257

Diagnostic Procedure with Diagnostic Trouble Code (DTC)

CRUISE CONTROL SYSTEM (DIAGNOSTIC)

Step	Check	Yes	No
1 CHECK CLUTCH SWITCH CIRCUIT. 1) Turn the ignition switch to OFF. 2) Disconnect the clutch switch harness connector. 3) Turn the ignition switch to ON. 4) Measure the voltage between harness connector terminal and chassis ground. Connector & terminal (B107) No. 2 (+) — Chassis ground (-):	Is the voltage more than 10 V?	Go to step 2.	<ul style="list-style-type: none"> • Check the fuse No. 11 (fuse & relay box). • Check the harness for open or short between clutch switch and fuse & relay box.
2 CHECK CLUTCH SWITCH CIRCUIT. 1) Turn the ignition switch to OFF. 2) Disconnect the ECM harness connector. 3) Measure the resistance between clutch switch harness connector terminal and ECM harness connector terminal. Connector & terminal (B107) No. 1 — (B134) No. 1:	Is the resistance less than 10 Ω ?	Go to step 3.	Repair the harness.
3 CHECK CLUTCH SWITCH. Remove and check the clutch switch. <Ref. to CC-11, Clutch Switch.>	Is the clutch switch OK?	Clutch switch circuit is OK.	Replace the clutch switch.

Diagnostic Procedure with Diagnostic Trouble Code (DTC)

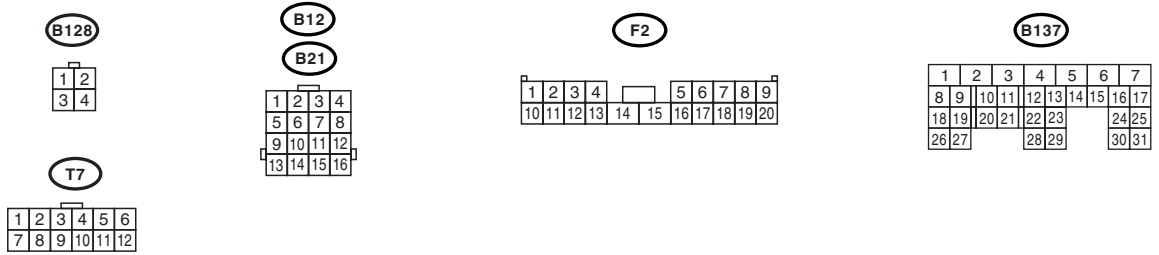
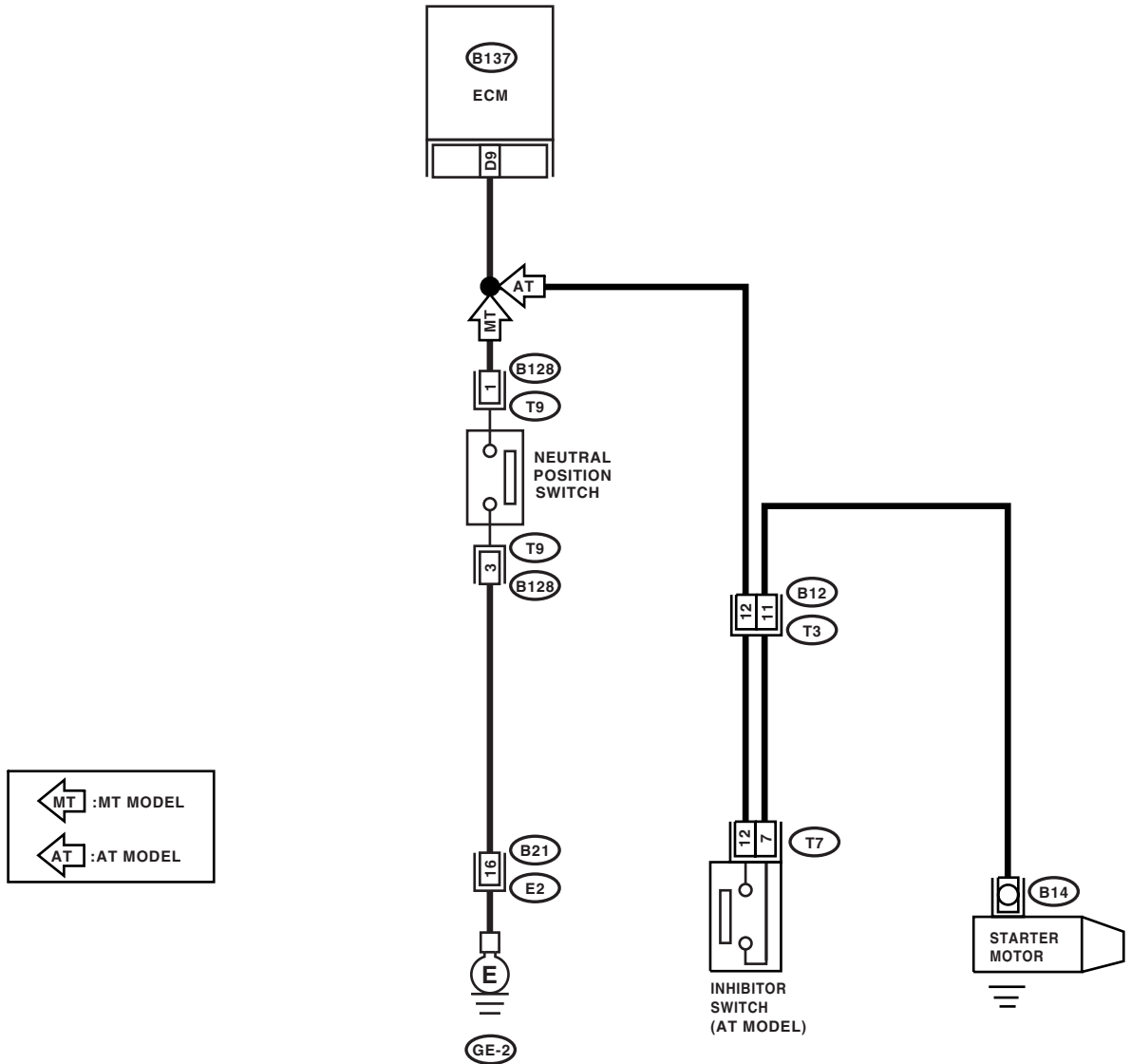
CRUISE CONTROL SYSTEM (DIAGNOSTIC)

D: DTC 14 NEUTRAL POSITION SWITCH

TROUBLE SYMPTOM:

Cruise control cannot be set.

WIRING DIAGRAM:



CC-00258

Diagnostic Procedure with Diagnostic Trouble Code (DTC)

CRUISE CONTROL SYSTEM (DIAGNOSTIC)

Step	Check	Yes	No
1	CHECK TRANSMISSION TYPE.	Go to step 2.	Go to step 5.
2	CHECK NEUTRAL POSITION SWITCH CIRCUIT. 1) Turn the ignition switch to OFF. 2) Disconnect the neutral position switch harness connector. 3) Turn the ignition switch to ON. 4) Measure the voltage between harness connector terminal and chassis ground. Connector & terminal (B128) No. 1 (+) — Chassis ground (-):	Go to step 3.	Check the harness for open or short between neutral position switch and ECM.
3	CHECK NEUTRAL POSITION SWITCH CIRCUIT. 1) Turn the ignition switch to OFF. 2) Measure the resistance between neutral position switch harness connector terminal and chassis ground. Connector & terminal (B128) No. 3 — Chassis ground:	Go to step 4.	Repair the harness.
4	CHECK NEUTRAL POSITION SWITCH. Remove and check the neutral position switch.	Neutral position switch circuit is OK.	Replace the neutral position switch.
5	CHECK INHIBITOR SWITCH CIRCUIT. 1) Turn the ignition switch to OFF. 2) Disconnect the inhibitor switch harness connector. 3) Turn the ignition switch to ON. 4) Measure the voltage between harness connector terminal and chassis ground. Connector & terminal (T7) No. 12 (+) — Chassis ground (-):	Go to step 6.	Check the harness for open or short between inhibitor switch and ECM.
6	CHECK INHIBITOR SWITCH CIRCUIT. 1) Turn the ignition switch to OFF. 2) Measure the resistance between inhibitor switch harness connector terminal and chassis ground. Connector & terminal (T7) No. 7 — Chassis ground:	Go to step 7.	Repair the harness.
7	CHECK INHIBITOR SWITCH. Remove and check the inhibitor switch.	Inhibitor switch circuit is OK.	Replace the inhibitor switch.

Diagnostic Procedure with Diagnostic Trouble Code (DTC)

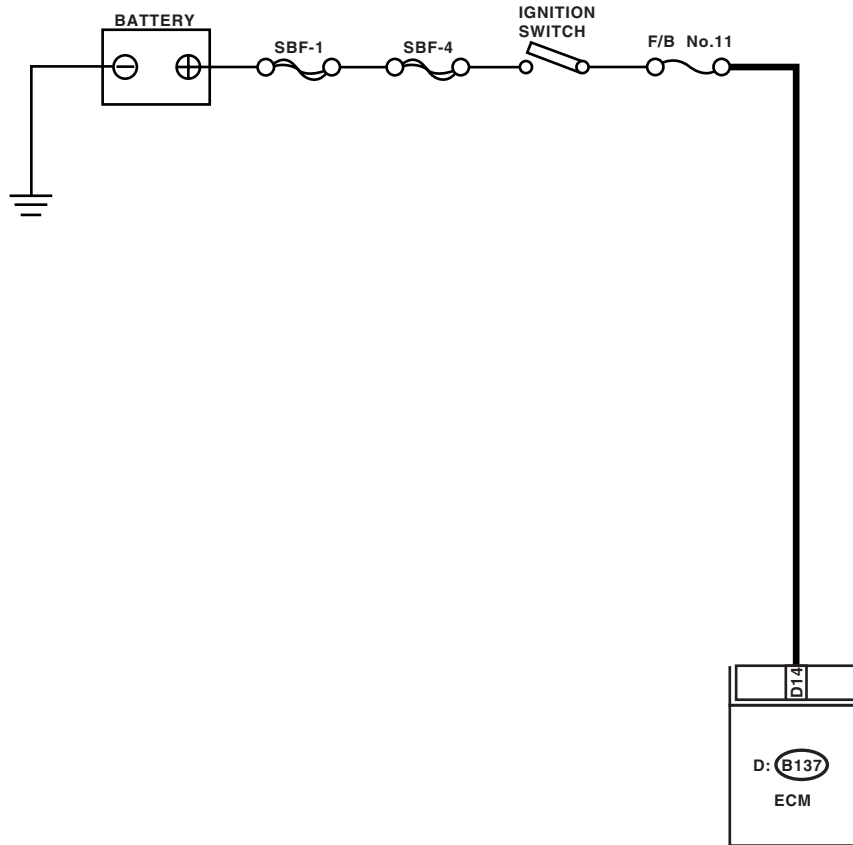
CRUISE CONTROL SYSTEM (DIAGNOSTIC)

E: DTC 16 IGNITION SWITCH

TROUBLE SYMPTOM:

Cruise control cannot be set.

WIRING DIAGRAM:



D: **B137**

1	2	3	4	5	6	7			
8	9	10	11	12	13	14	15	16	17
18	19	20	21	22	23	24	25		
26	27	28	29	30	31				

CC-00259

Diagnostic Procedure with Diagnostic Trouble Code (DTC)

CRUISE CONTROL SYSTEM (DIAGNOSTIC)

Step	Check	Yes	No
1 CHECK IGNITION SWITCH CIRCUIT. 1) Turn the ignition switch to OFF. 2) Disconnect the ECM harness connector. 3) Turn the ignition switch to ON. 4) Measure the voltage between harness connector terminal and chassis ground. Connector & terminal (B137) No. 14 (+) — Chassis ground (-):	Is the voltage more than 10 V?	Check the poor contact of ECM connector.	<ul style="list-style-type: none">• Check the fuse No. 11 (fuse & relay box).• Check the harness for open or short between ignition switch and ECM.

Diagnostic Procedure with Diagnostic Trouble Code (DTC)

CRUISE CONTROL SYSTEM (DIAGNOSTIC)

F: DTC 22 AND 32 VEHICLE SPEED SENSOR

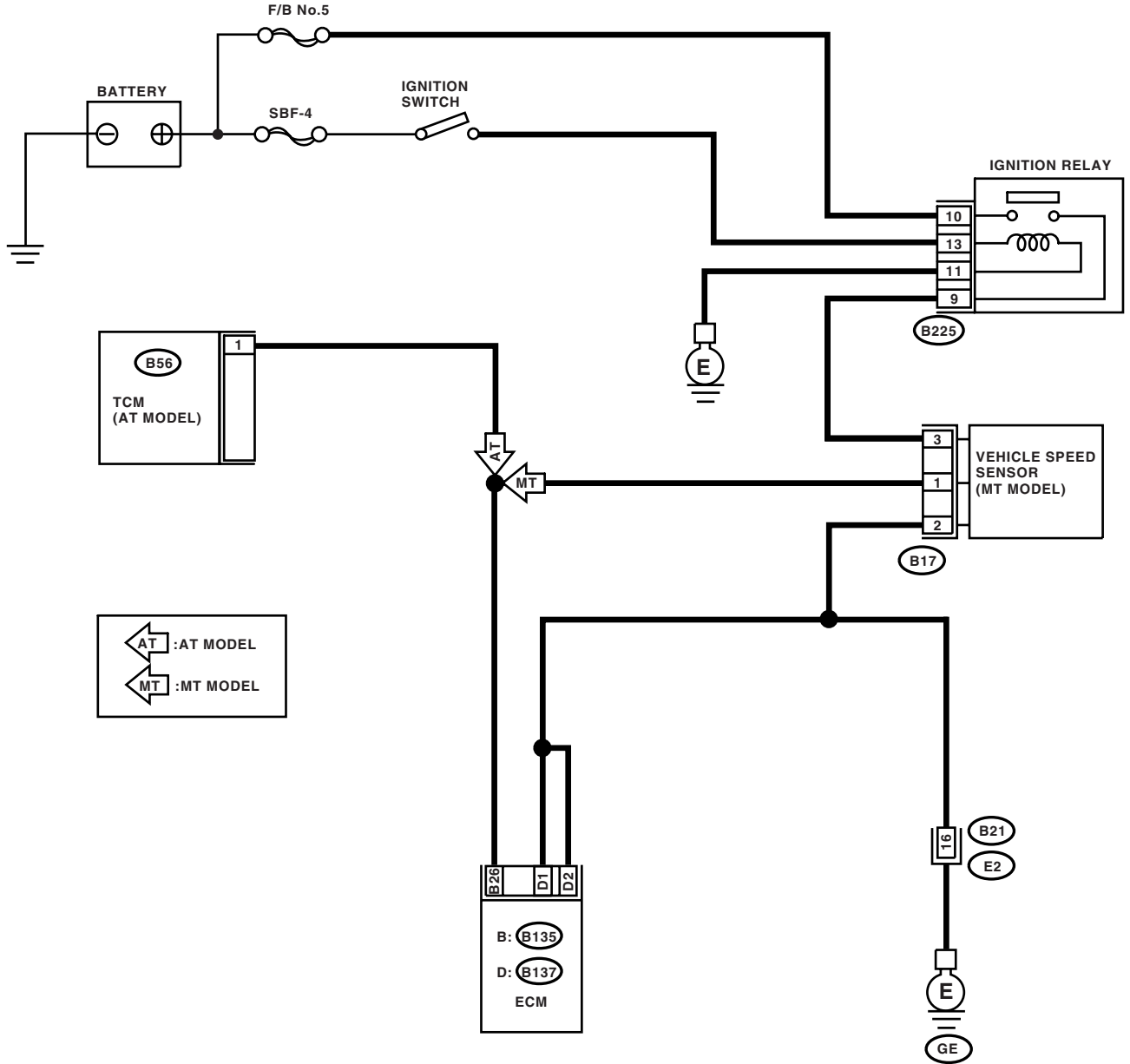
DIAGNOSIS:

Disconnection or short circuit of vehicle speed sensor system.

TROUBLE SYMPTOM:

Cruise control cannot be set. (Cancelled immediately.)

WIRING DIAGRAM:



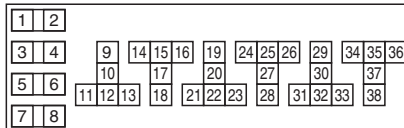
B17



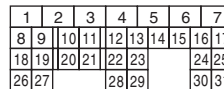
B21



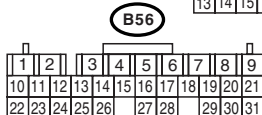
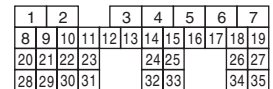
B225



D: B137



B: B135



CC-00260

Diagnostic Procedure with Diagnostic Trouble Code (DTC)

CRUISE CONTROL SYSTEM (DIAGNOSTIC)

Step	Check	Yes	No
1	CHECK TRANSMISSION TYPE.	Go to step 2.	Go to step 6.
2	CHECK HARNESS BETWEEN BATTERY AND VEHICLE SPEED SENSOR. 1) Turn the ignition switch to OFF. 2) Disconnect the harness connector from vehicle speed sensor. 3) Turn the ignition switch to ON. 4) Measure the voltage between vehicle speed sensor harness connector terminal and chassis ground. Connector & terminal (B17) No. 3 (+) — Chassis ground (-):	Go to step 3.	Check the harness for open or short between fuse and vehicle speed sensor.
3	CHECK HARNESS BETWEEN ECM AND VEHICLE SPEED SENSOR. 1) Turn the ignition switch to OFF. 2) Disconnect the harness connector from ECM. 3) Measure the resistance between vehicle speed sensor harness connector terminal and ECM harness connector terminal. Connector & terminal (B17) No. 1 — (B135) No. 26:	Go to step 4.	Repair the harness.
4	CHECK HARNESS BETWEEN VEHICLE SPEED SENSOR AND ENGINE GROUND. 1) Turn the ignition switch to OFF. 2) Measure the resistance between vehicle speed sensor harness connector terminal and engine ground. Connector & terminal (B17) No. 2 — Engine ground:	Go to step 5.	Repair the harness.
5	CHECK VEHICLE SPEED SENSOR. 1) Connect the harness connector to vehicle speed sensor. 2) Lift-up the vehicle and support with rigid racks. 3) Drive the vehicle at speed greater than 20 km/h (12 MPH). Warning: Be careful not to be caught up by the running wheels. 4) Measure the voltage between ECM harness connector terminal and chassis ground. Connector & terminal (B135) No. 26 (+) — Chassis ground (-):	Check the poor contact of ECM connector.	Replace the vehicle speed sensor.
6	CHECK HARNESS BETWEEN ECM AND TCM. 1) Turn the ignition switch to OFF. 2) Disconnect the harness connector from ECM and TCM. 3) Measure the resistance between ECM harness connector terminal and TCM harness connector terminal. Connector & terminal (B135) No. 26 — (B56) No. 1:	Go to step 7.	Repair the harness.

Diagnostic Procedure with Diagnostic Trouble Code (DTC)

CRUISE CONTROL SYSTEM (DIAGNOSTIC)

Step	Check	Yes	No
<p>7</p> <p>CHECK TCM</p> <p>1) Connect the harness connector to TCM. 2) Lift-up the vehicle and support with rigid racks. 3) Drive the vehicle at speed greater than 10 km/h (6 MPH).</p> <p>Warning: Be careful not to be caught up by the running wheels.</p> <p>4) Measure the voltage between TCM harness connector terminal and chassis ground.</p> <p>Connector & terminal (B56) No. 1 (+) — Chassis ground (-):</p>	Is the voltage 1 V ← → 5 V?	Check the poor contact of ECM harness connector.	Check the poor contact of TCM harness connector.