

BODY SECTION

This service manual has been prepared to provide SUBARU service personnel with the necessary information and data for the correct maintenance and repair of SUBARU vehicles.

This manual includes the procedures for maintenance, disassembling, reassembling, inspection and adjustment of components and diagnostics for guidance of experienced mechanics.

Please peruse and utilize this manual fully to ensure complete repair work for satisfying our customers by keeping their vehicle in optimum condition. When replacement of parts during repair work is needed, be sure to use SUBARU genuine parts.

All information, illustration and specifications contained in this manual are based on the latest product information available at the time of publication approval.

HVAC SYSTEM (HEATER, VENTILATOR AND A/C)	AC
HVAC SYSTEM (AUTO A/C) (DIAGNOSTIC)	AC
AIRBAG SYSTEM	AB
AIRBAG SYSTEM (DIAGNOSTIC)	AB
SEAT BELT SYSTEM	SB
LIGHTING SYSTEM	LI
WIPER AND WASHER SYSTEM	WW
ENTERTAINMENT	ET
COMMUNICATION SYSTEM	COM
GLASS/WINDOW/MIRROR	GW
BODY STRUCTURE	BS
INSTRUMENTATION/DRIVER INFO	IDI
SEAT	SE
SECURITY AND LOCK	SL
SUNROOF/T-TOP/CONVERTIBLE TOP (SUNROOF)	SR
EXTERIOR/INTERIOR TRIM	EI
EXTERIOR BODY PANEL	EB

BODY SECTION

CRUISE CONTROL SYSTEM CC

CRUISE CONTROL SYSTEM (DIAGNOSTIC) CC(H4SO)

CRUISE CONTROL SYSTEM (DIAGNOSTIC) CC(H4DOTC)

CRUISE CONTROL SYSTEM (DIAGNOSTIC) CC(H4DOTC 2.5)

IMMOBILIZER (DIAGNOSTIC) IM

BODY STRUCTURE

BS

	Page
1. General Description	2
2. Datum Points.....	3
3. Datum Dimensions.....	11



General Description

BODY STRUCTURE

1. General Description

A: PREPARATION TOOL

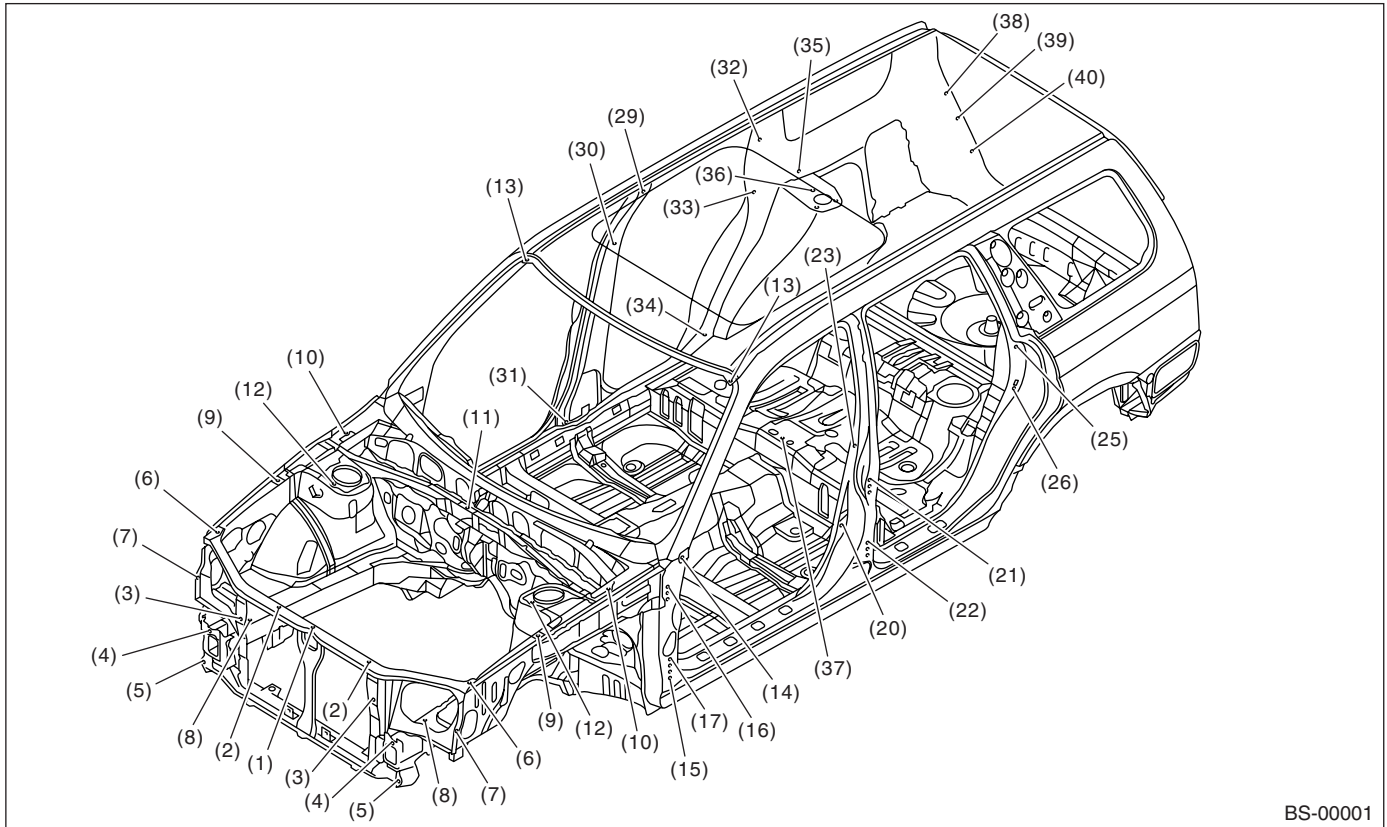
TOOL NAME	REMARKS
Tram tracking gauge	Used for measuring dimension.
Tape measure	Used for measuring dimension.

2. Datum Points

A: LOCATION

NOTE:

- Datum points are specified for body repair.
- Guide holes, locators, and indents are provided to facilitate panel replacement and to increase alignment accuracy.
- Both right and left reference points are symmetrical.



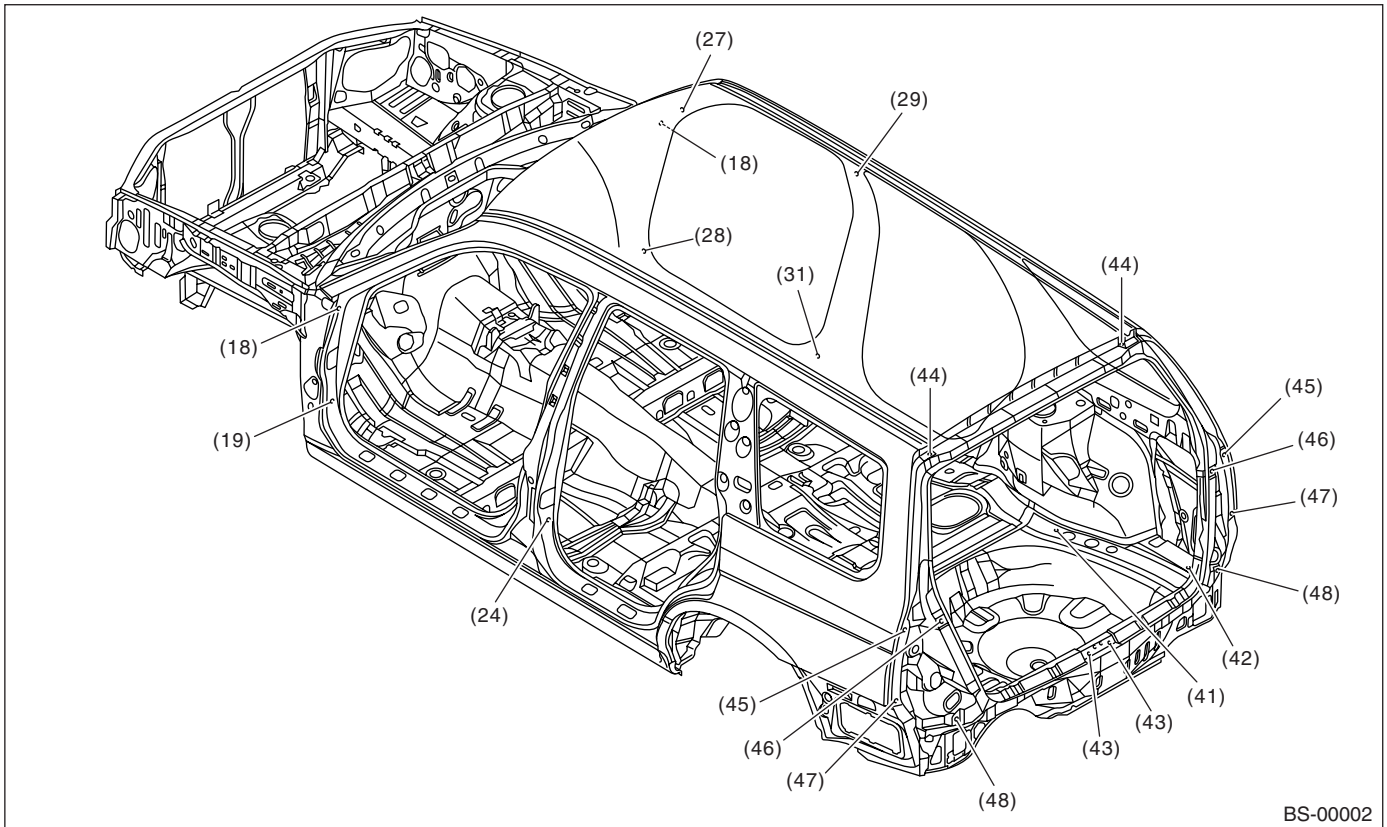
Datum Points

BODY STRUCTURE

- | | | |
|---|---|---|
| (1) Radiator panel gauge hole 6 mm (0.24 in) dia. (Vehicle center) | (14) Fender attaching hole 10 mm (0.39 in) dia. (Symmetrical) | (31) Harness attaching hole 7 mm (0.28 in) dia. (Symmetrical) |
| (2) Radiator attaching hole 12 mm (0.47 in) dia. | (15) Fender attaching hole 10 mm (0.39 in) dia. (Symmetrical) | (32) Trim attaching hole 8.5 mm (0.33 in) dia. (Symmetrical) |
| (3) Headlight attaching hole 7 mm (0.28 in) dia. (Symmetrical) | (16) Front door hinge attaching hole 12 mm (0.47 in) dia. (Symmetrical) | (33) Trim attaching hole 7 mm (0.28 in) dia. (Symmetrical) |
| (4) Frame plate gauge hole 8 mm (0.31 in) dia. (Symmetrical) | (17) Front door hinge attaching hole 12 mm (0.47 in) dia. (Symmetrical) | (34) Harness attaching hole 7×7 mm (0.28×0.28 in) (Symmetrical) |
| (5) Bumper beam attaching hole 11 mm (0.43 in) dia. (Symmetrical) | (20) Front door switch attaching hole 4.1 mm (0.16 in) dia. (Symmetrical) | (35) Tonneau cover bracket attaching hole 5.5 mm (0.22 in) dia. (Symmetrical) |
| (6) Fender attaching hole 7 mm (0.28 in) dia. (Symmetrical) | (21) Rear door hinge attaching hole 12 mm (0.47 in) dia. (Symmetrical) | (36) Rear strut attaching hole 10 mm (0.39 in) (Symmetrical) |
| (7) Fender attaching hole 9 mm (0.35 in) dia. (Symmetrical) | (22) Rear door hinge attaching hole 12 mm (0.47 in) dia. (Symmetrical) | (37) Floor mat attaching hole 8 mm (0.31 in) dia. |
| (8) Power steering tank attaching hole RH ATF cooler pipe attaching hole LH 9 mm (0.35 in) dia. | (23) Front weather strip attaching hole 5.2 mm (0.20 in) dia. (Symmetrical) | (38) Trim attaching hole 9×9 mm (0.35×0.35 in) (Symmetrical) |
| (9) Fender attaching hole 10 mm (0.39 in) dia. (Symmetrical) | (25) Rear weather strip attaching hole 5.2 mm (0.20 in) dia. (Symmetrical) | (39) Trim attaching hole 8 mm (0.31 in) dia. (Symmetrical) |
| (10) Fender attaching hole 7 mm (0.28 in) dia. (Symmetrical) | (26) Rear door switch attaching hole 4.1 mm (0.16 in) dia. (Symmetrical) | (40) Trim attaching hole 8 mm (0.31 in) dia. (Symmetrical) |
| (11) Modular bracket gauge hole 8 mm (0.31 in) dia. (Vehicle center) | (29) Trim attaching hole 8.5 mm (0.33 in) dia. (Symmetrical) | |
| (12) Front strut attaching hole 9.5 mm (0.37 in) dia. (Symmetrical) | (30) Pad attaching hole 5 mm (0.20 in) dia. (Symmetrical) | |
| (13) Front glass attaching hole LH 6.5×10.5 mm (0.26×0.41 in) RH 6.5×7 mm (0.26×0.28 in) | | |

Datum Points

BODY STRUCTURE

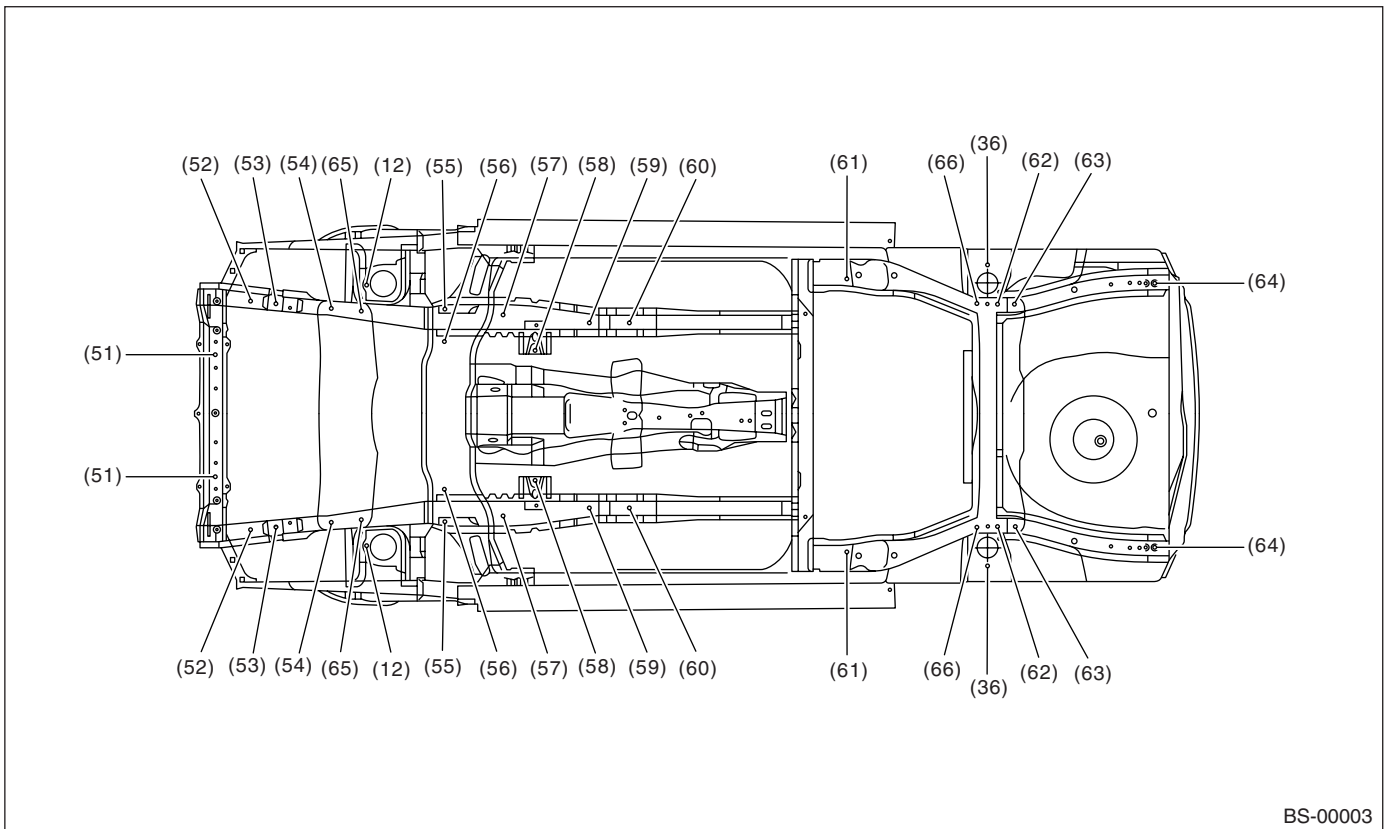


BS-00002

- | | | |
|---|--|--|
| (18) Front weather strip attaching hole 5.2 mm (0.20 in) dia. (Symmetrical) | (31) Harness attaching hole 7 mm (0.28 in) dia. (Symmetrical) | (45) Combination light attaching hole 9.5 mm (0.37 in) dia. (Symmetrical) |
| (19) Trim attaching hole 7 mm (0.28 in) dia. (Symmetrical) | (41) Harness attaching hole 7.5 mm (0.30 in) dia. | (46) Combination light attaching hole 7 mm (0.28 in) dia. (Symmetrical) |
| (24) Trim attaching hole 7 mm (0.28 in) dia. (Symmetrical) | (42) Bumper beam attaching hole 12 mm (0.47 in) dia. | (47) Combination light attaching hole 8×15 mm (0.31×0.59 in) (Symmetrical) |
| (27) Front pillar gauge hole 12 mm (0.47 in) dia. (Symmetrical) | (43) Striker gauge hole 5 mm (0.20 in) dia. (Symmetrical) | (48) Bumper bracket attaching hole 7 mm (0.28 in) dia. (Symmetrical) |
| (28) Insulator attaching hole 8 mm (0.31 in) dia. (Symmetrical) | (44) Harness attaching hole 7×7 mm (0.28×0.28 in) dia. (Symmetrical) | |
| (29) Trim attaching hole 8.5 mm (0.33 in) dia. (Symmetrical) | | |

Datum Points

BODY STRUCTURE

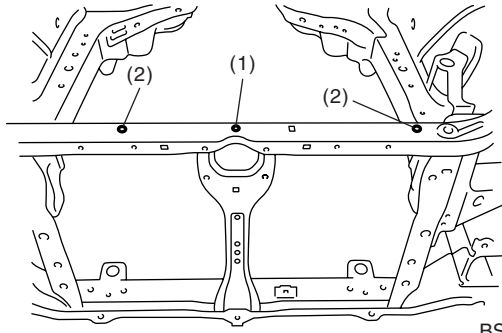


BS-00003

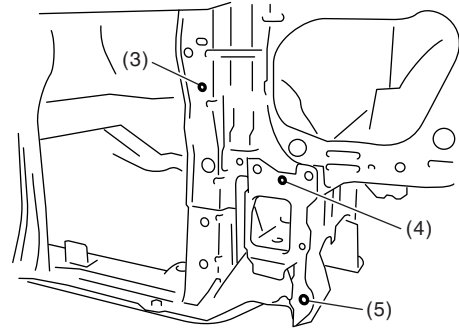
- | | | |
|---|--|---|
| (12) Front strut attaching hole 9.5 mm (0.37 in) dia. (Symmetrical) | (56) Transverse link attaching hole 16 mm (0.63 in) dia. (Symmetrical) | (62) Rear cross member gauge hole 16 mm (0.63 in) dia. (Symmetrical) |
| (36) Rear strut attaching hole 10 mm (0.39 in) dia. (Symmetrical) | (57) Sub-frame attaching hole 16 mm (0.63 in) dia. (Symmetrical) | (63) Rear cross member attaching hole 12 mm (0.47 in) dia. (Symmetrical) |
| (51) Radiator lower frame gauge hole 12 mm (0.47 in) dia. (Symmetrical) | (58) Transmission cross member attaching hole 14 mm (0.55 in) dia. (Symmetrical) | (64) Rear bumper beam attaching hole RH 15 mm (0.57 in) dia. LH 19×15 mm (0.75×0.59 in) |
| (52) Side frame gauge hole 20 mm (0.79 in) dia. (Symmetrical) | (59) Rear side frame gauge hole 15 mm (0.59 in) dia. (Symmetrical) | (65) Front cross member attaching hole 12.4 mm (0.49 in) dia. (Symmetrical) |
| (53) Sub-frame attaching hole 16 mm (0.63 in) dia. (Symmetrical) | (60) Rear side frame gauge hole 18 mm (0.71 in) dia. (Symmetrical) | (66) Rear cross member attaching hole 16 mm (0.63 in) dia. (Symmetrical) |
| (54) Front cross member attaching hole 12.4 mm (0.49 in) dia. (Symmetrical) | (61) Rear differential attaching hole 16 mm (0.63 in) dia. (Symmetrical) | |
| (55) Transverse link attaching hole 17 mm (0.69 in) dia. (Symmetrical) | | |

Datum Points

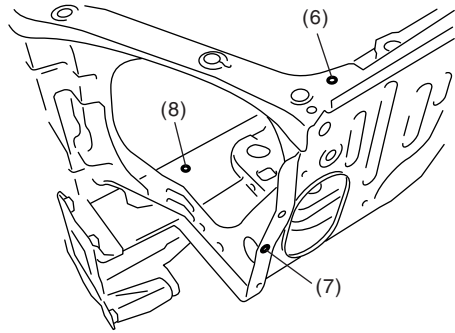
BODY STRUCTURE



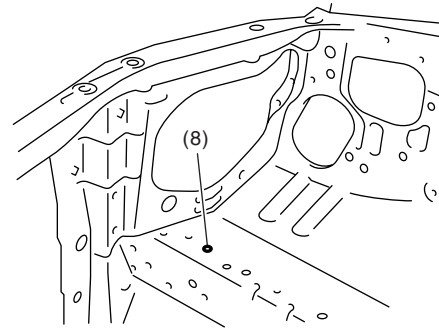
BS-00004



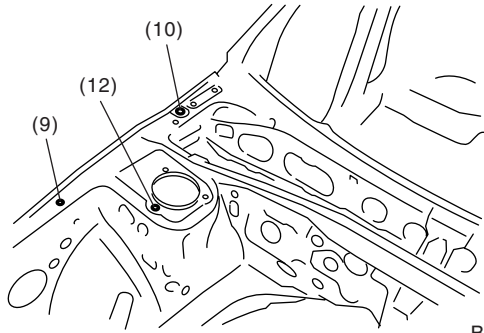
BS-00005



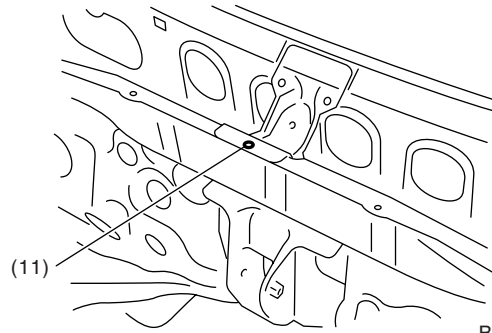
BS-00006



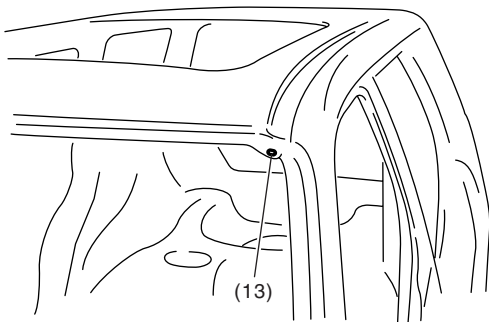
BS-00007



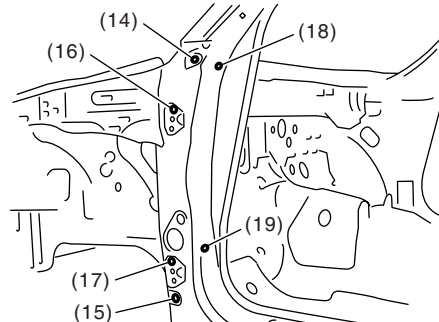
BS-00008



BS-00009



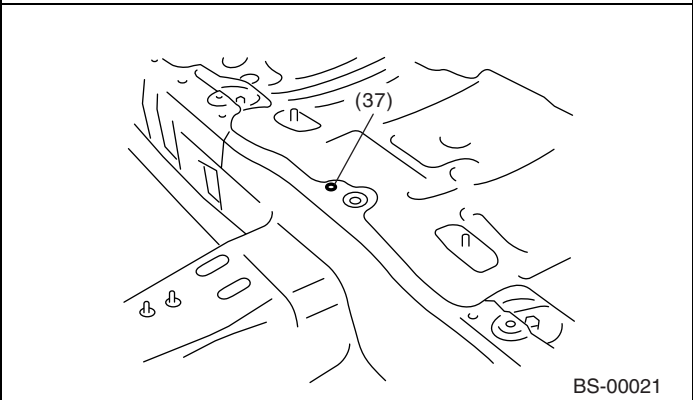
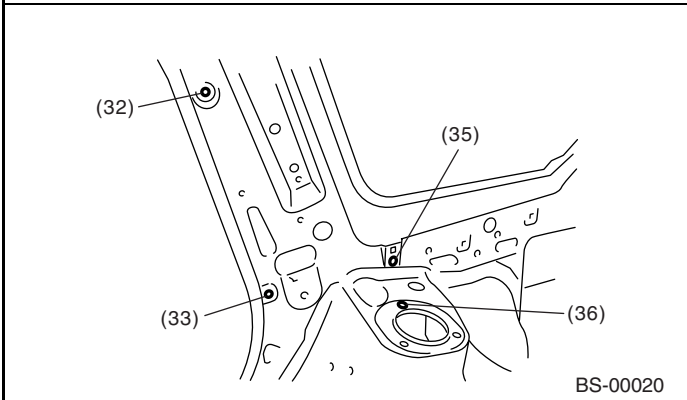
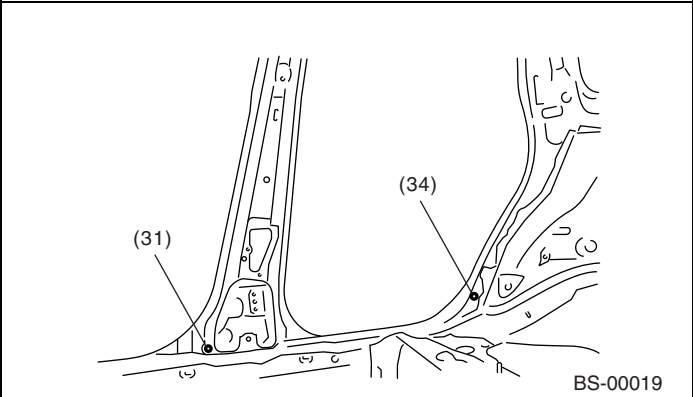
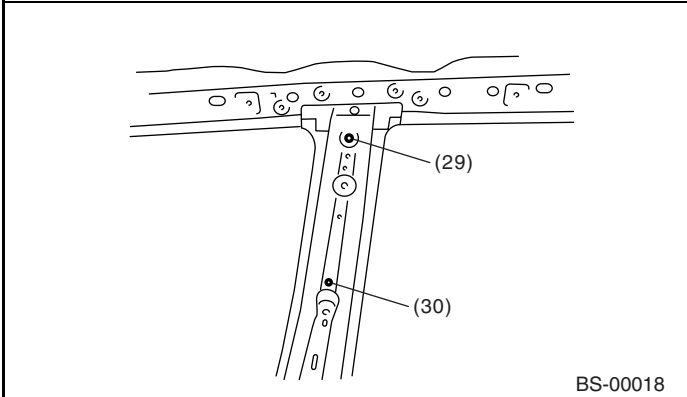
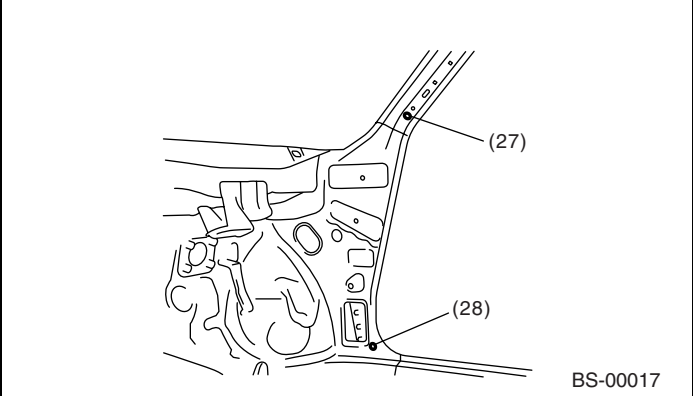
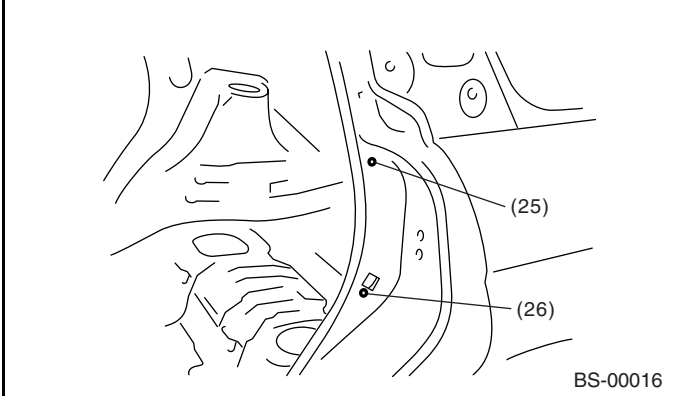
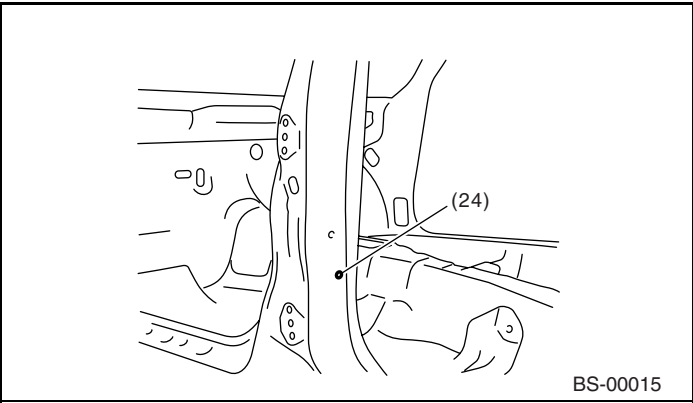
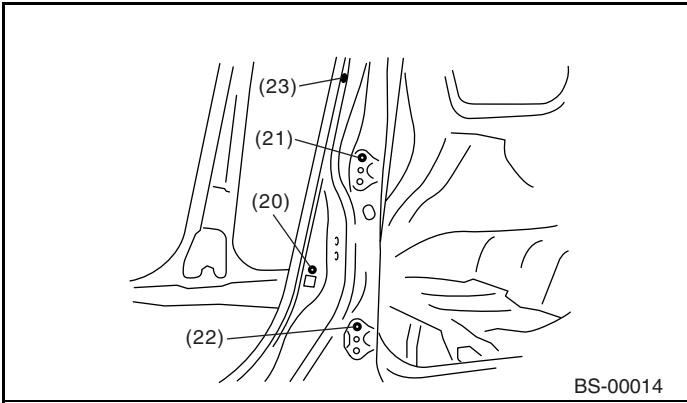
BS-00010



BS-00011

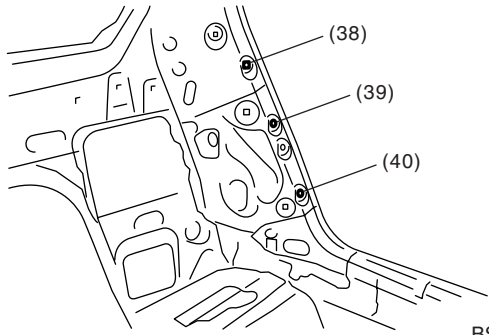
Datum Points

BODY STRUCTURE

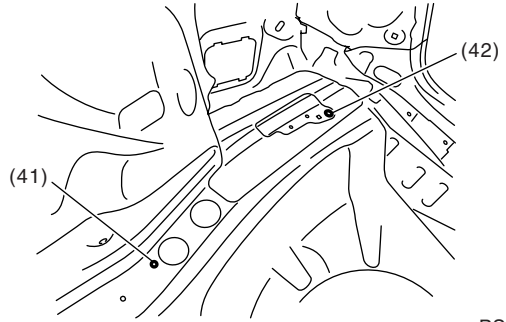


Datum Points

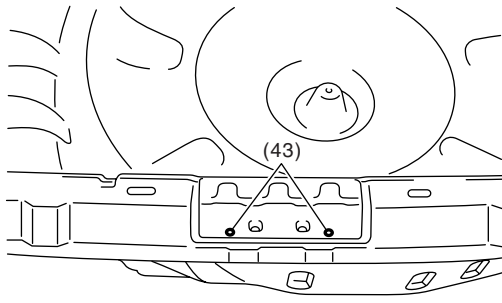
BODY STRUCTURE



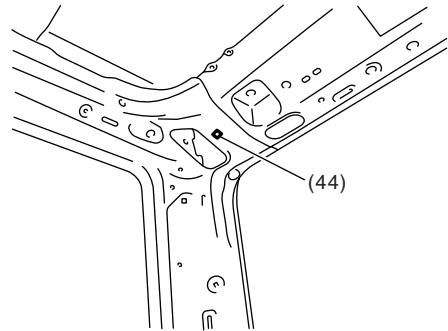
BS-00022



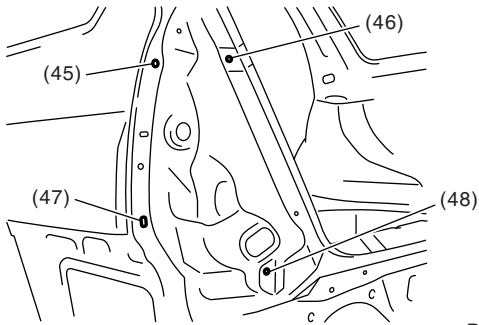
BS-00023



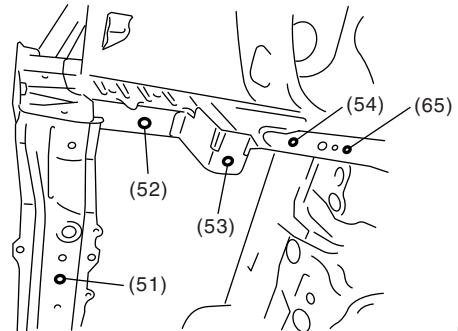
BS-00024



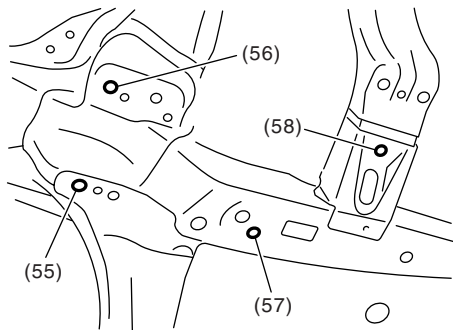
BS-00025



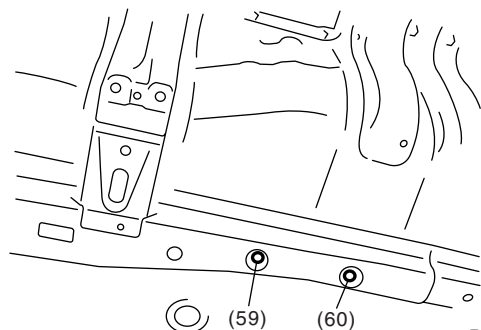
BS-00026



BS-00027



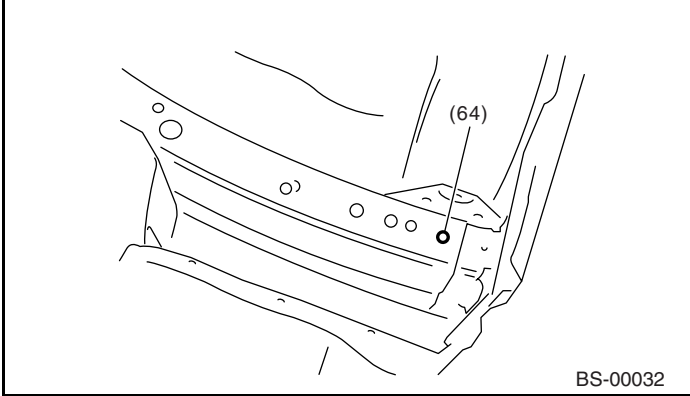
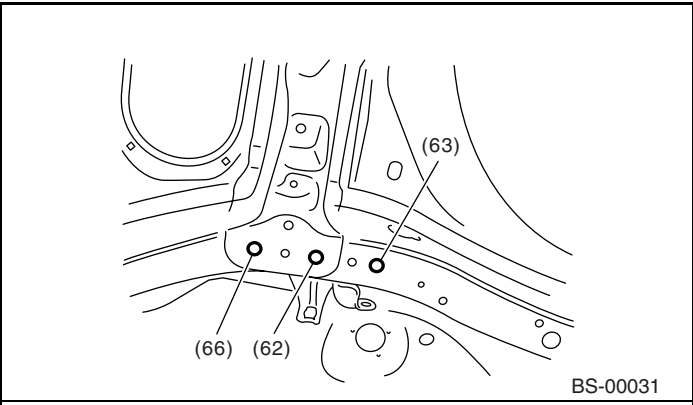
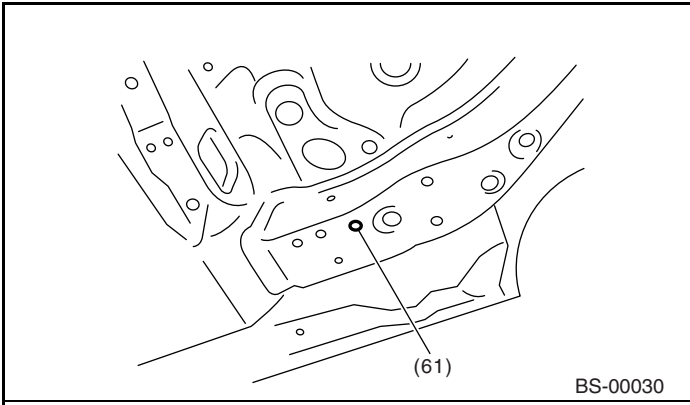
BS-00028



BS-00029

Datum Points

BODY STRUCTURE



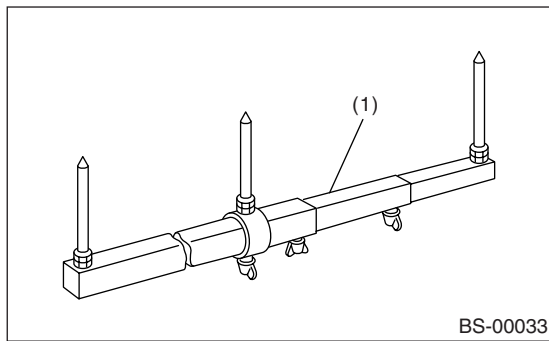
3. Datum Dimensions

A: MEASUREMENT

Refer to LOCATION for details on measurement points. <Ref. to BS-3, LOCATION, Datum Points.>

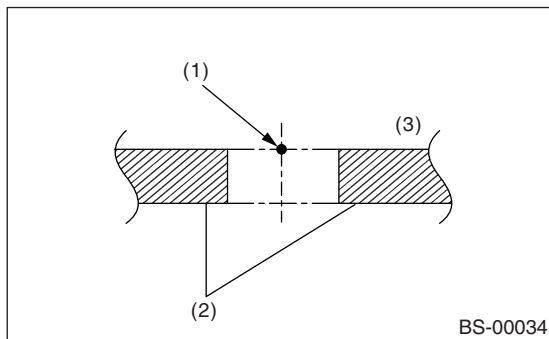
NOTE:

- Using a tram tracking gauge, measure all dimensions.
- When using a tape measure, carefully measure dimensions without letting the tape measure sag or twist.
- Measure the linear dimensions between cores of holes.
- Suffixes “RH” and “LH” indicate right-hand and left-hand.



(1) Tram tracking gauge

- Measure at the center of the circle around the outside of the body panel.

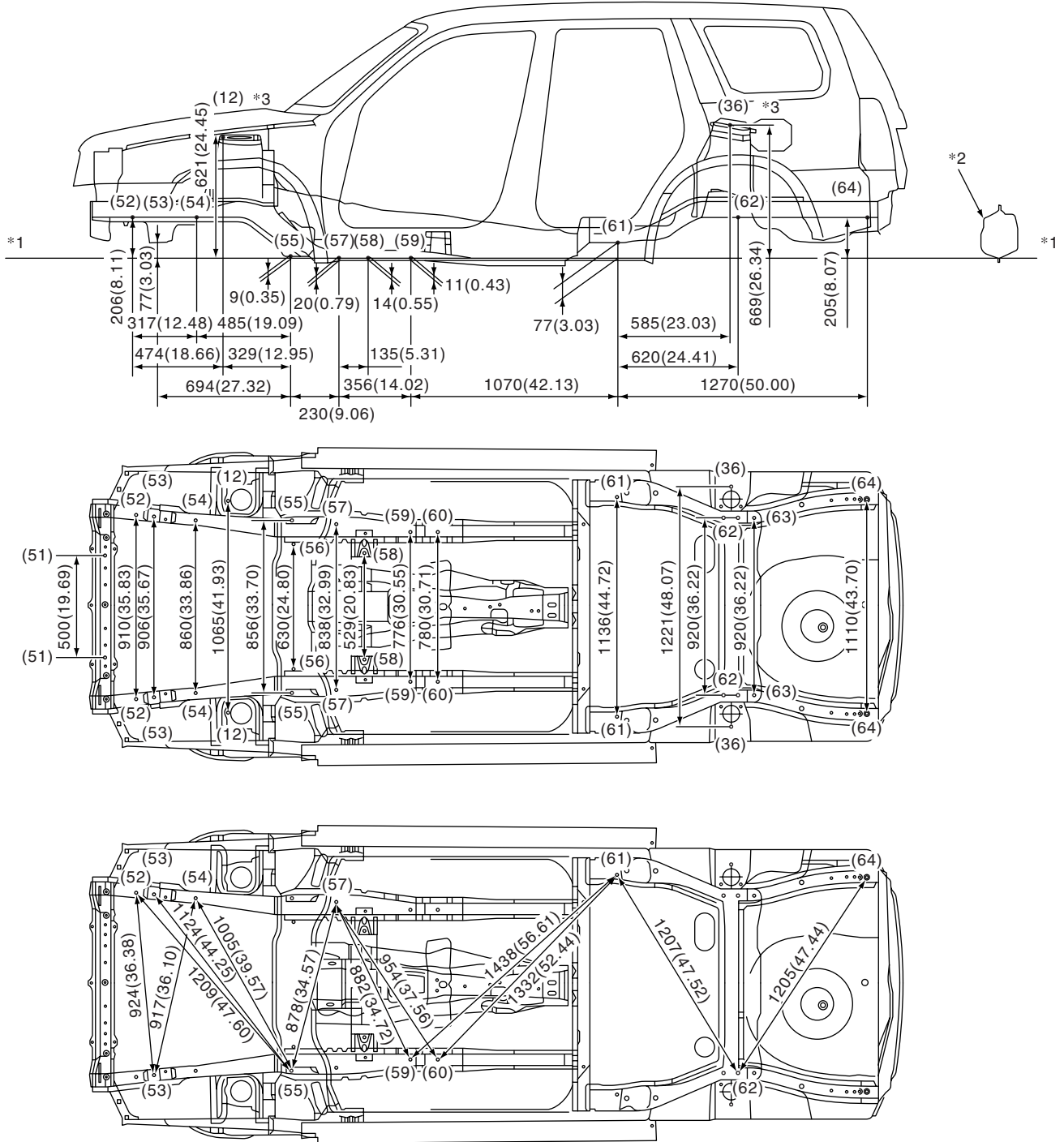


- (1) Datum point
- (2) Body panel
- (3) Outside

Datum Dimensions

BODY STRUCTURE

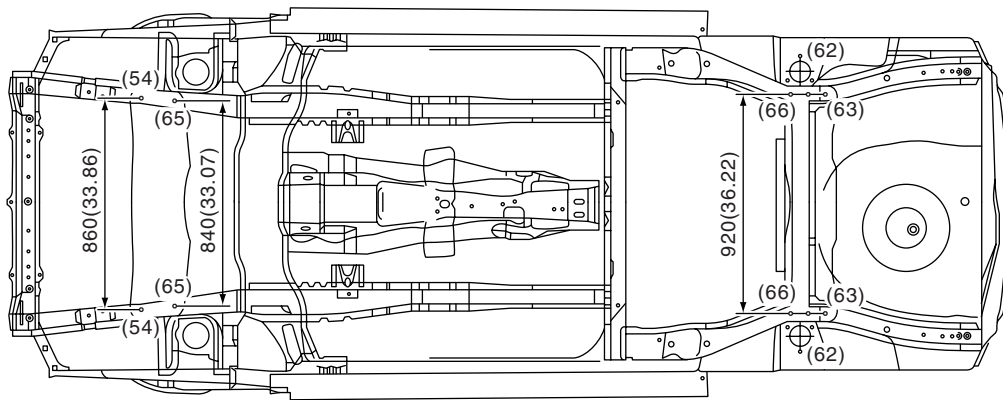
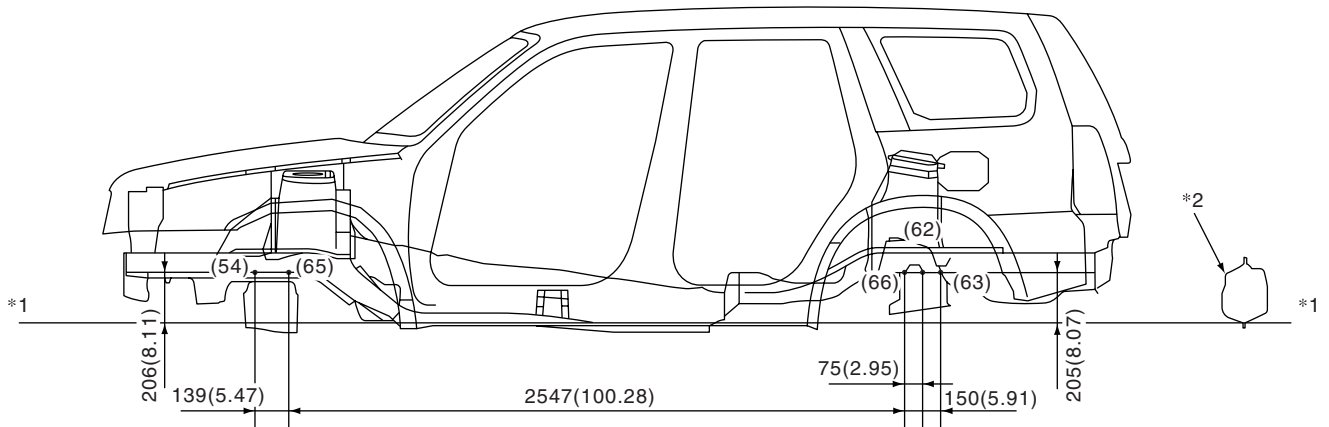
1. CENTER STRUCTURE



- *1: Standard line
 - *2: Side sill
 - *3: Upper surface
- Unit: mm (in)

BS-00035

2. SUSPENSION CROSSMEMBER



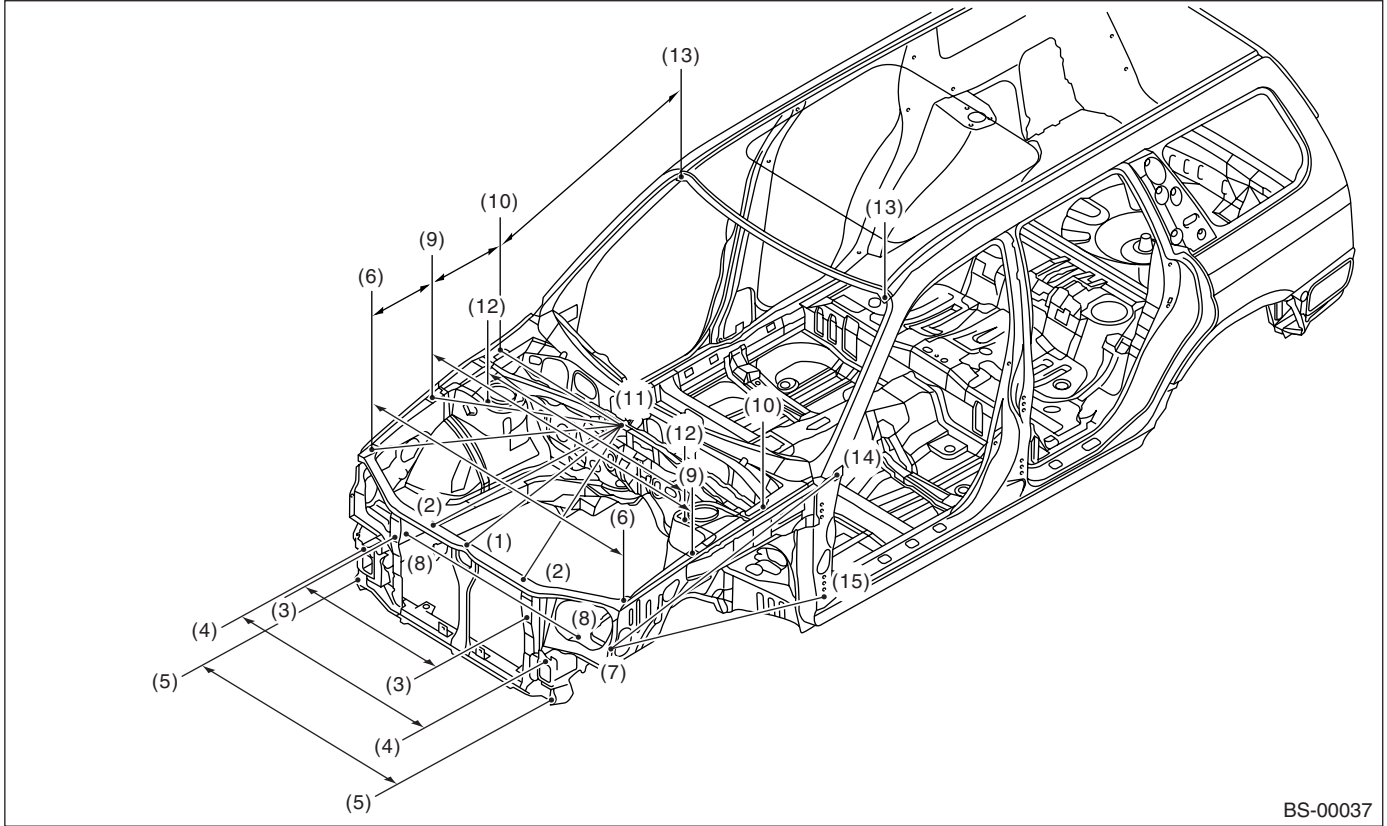
*1: Standard line
 *2: Side sill
 Unit: mm (in)

BS-00036

Datum Dimensions

BODY STRUCTURE

3. FRONT STRUCTURE



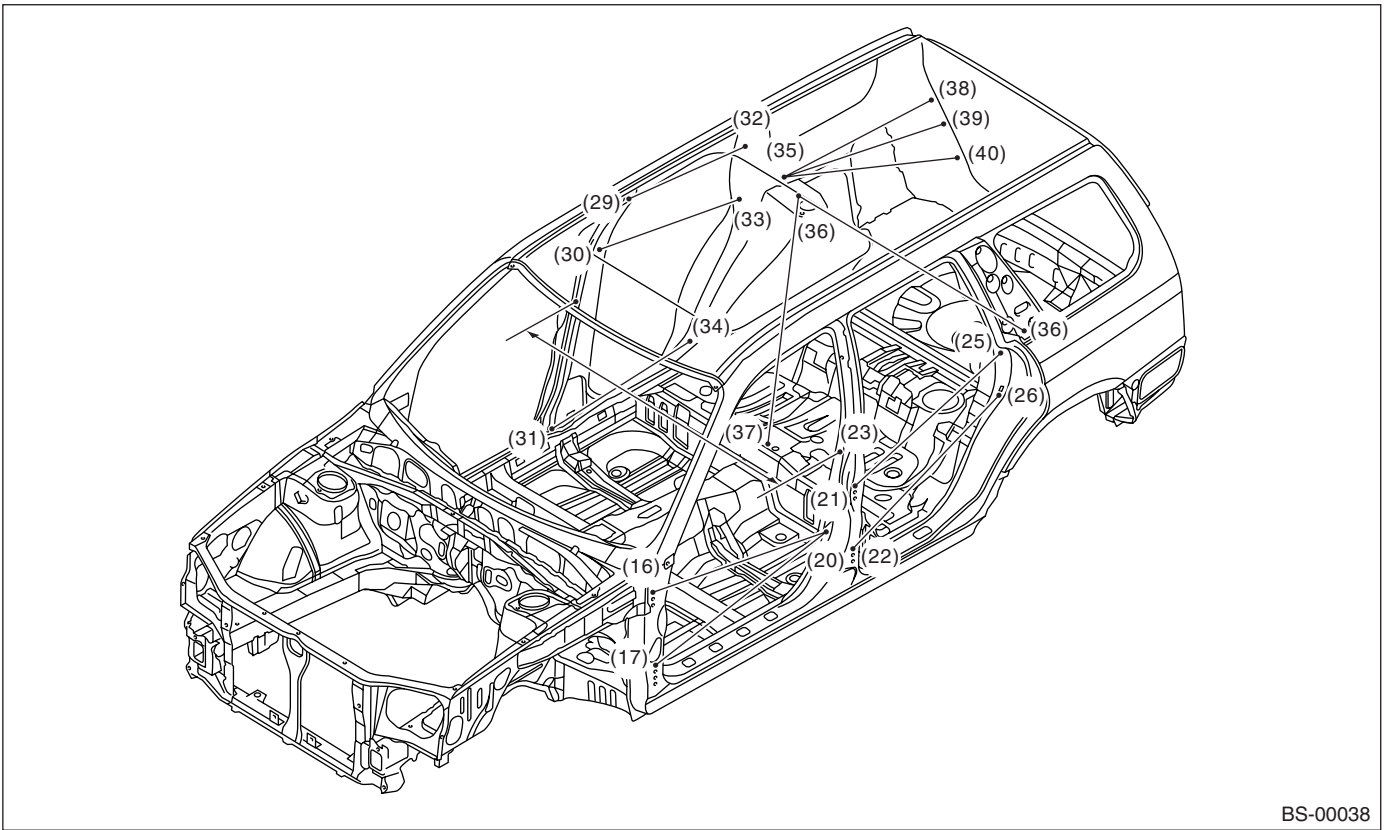
BS-00037

Unit: mm (in)

Point to point	Dimension	Point to point	Dimension
(1) to (11)	822 (32.36)	(7) LH to (15) LH	1,067 (42.01)
(2) RH to (11)	842 (33.15)	(8) RH to (8) LH	921 (36.26)
(2) LH to (11)	875 (34.45)	(9) RH to (9) LH	1,396 (54.96)
(3) RH to (3) LH	716 (28.19)	(9) RH to (10) RH	398 (15.67)
(4) RH to (4) LH	978 (38.50)	(9) LH to (10) LH	398 (15.67)
(5) RH to (5) LH	1,049 (41.30)	(9) RH to (11)	767 (30.20)
(6) RH to (6) LH	1,341 (52.80)	(9) LH to (11)	767 (30.20)
(6) RH to (9) RH	349 (13.74)	(10) RH to (11)	722 (28.43)
(6) LH to (9) LH	349 (13.74)	(10) LH to (11)	722 (28.43)
(6) RH to (11)	944 (37.17)	(10) RH to (13) RH	907 (35.71)
(6) LH to (11)	944 (37.17)	(10) LH to (13) LH	907 (35.71)
(7) RH to (14) RH	1,155 (45.47)	(11) to (12) RH	565 (22.24)
(7) LH to (14) LH	1,155 (45.47)	(11) to (12) LH	565 (22.24)
(7) RH to (15) RH	1,067 (42.01)	(12) RH to (12) LH	1,065 (41.93)

Datum Dimensions

BODY STRUCTURE



BS-00038

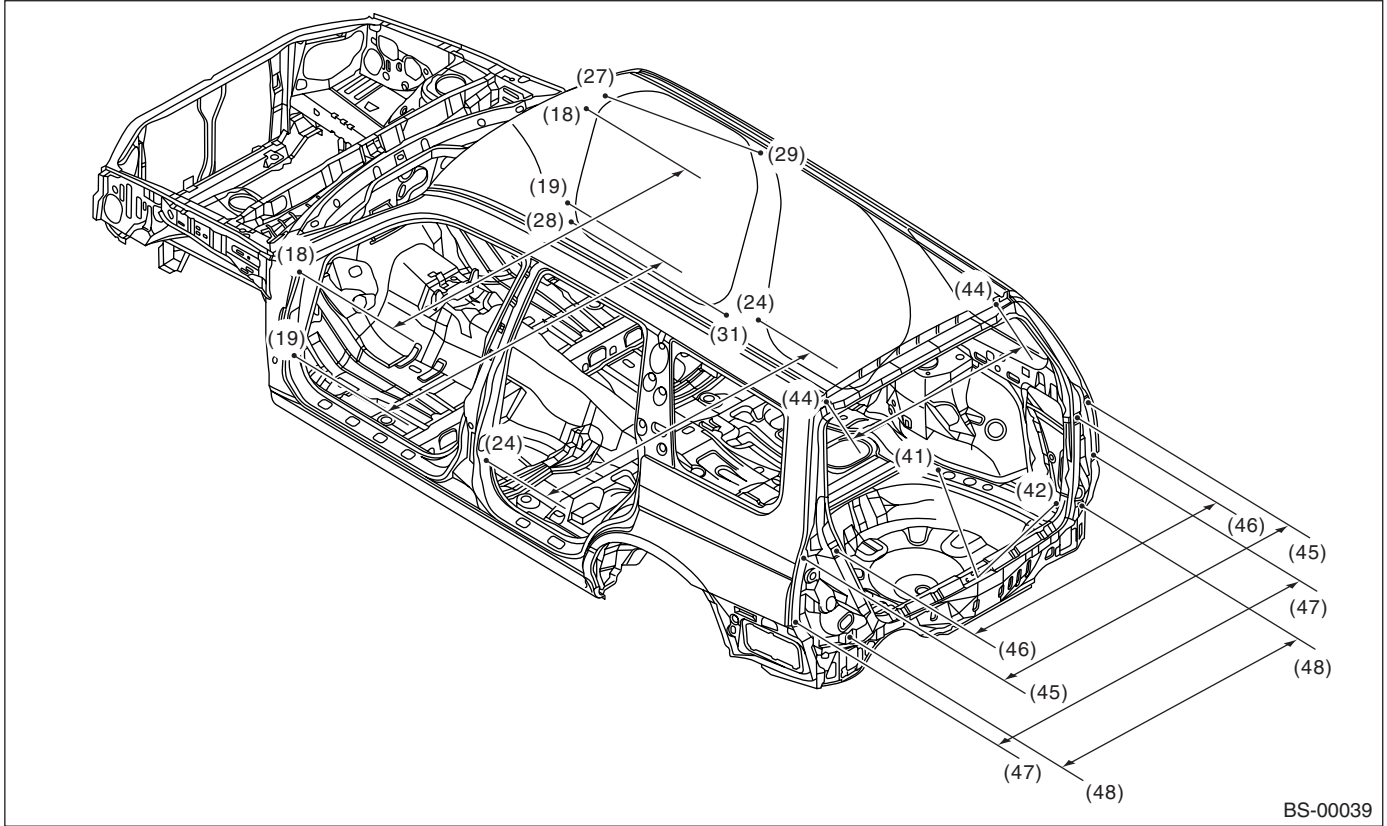
Unit: mm (in)

Point to point	Dimension	Point to point	Dimension
(16) RH to (20) RH	980 (38.58)	(30) LH to (33) LH	796 (31.34)
(16) LH to (20) LH	980 (38.58)	(31) RH to (34) RH	759 (29.88)
(17) RH to (20) RH	982 (38.66)	(31) LH to (34) LH	759 (29.88)
(17) LH to (20) LH	982 (38.66)	(35) RH to (38) RH	665 (26.18)
(21) RH to (25) RH	853 (33.58)	(35) LH to (38) LH	665 (26.18)
(21) LH to (25) LH	853 (33.58)	(35) RH to (39) RH	711 (27.99)
(22) RH to (26) RH	895 (35.24)	(35) LH to (39) LH	711 (27.99)
(22) LH to (26) LH	895 (35.24)	(35) RH to (40) RH	784 (30.87)
(23) LH to (23) RH	1,429 (56.26)	(35) LH to (40) LH	784 (30.87)
(29) RH to (32) RH	674 (26.54)	(36) LH to (36) RH	1,221 (48.07)
(29) LH to (32) LH	674 (26.54)	(36) RH to (37) RH	1,067 (42.01)
(30) RH to (33) RH	796 (31.34)	(36) LH to (37) LH	1,067 (42.01)

Datum Dimensions

BODY STRUCTURE

4. REAR STRUCTURE



BS-00039

Unit: mm (in)

Point to point	Dimension	Point to point	Dimension
(18) RH to (18) LH	1,449 (57.05)	(41) RH to (43) RH	794 (31.26)
(19) RH to (19) LH	1,459 (57.44)	(41) LH to (43) LH	805 (31.69)
(27) RH to (29) RH	1,007 (39.65)	(42) RH to (42) LH	1,110 (43.70)
(27) LH to (29) LH	1,007 (39.65)	(44) RH to (44) LH	878 (34.57)
(28) RH to (31) RH	813 (32.01)	(45) RH to (45) LH	1,474 (58.03)
(28) LH to (31) LH	813 (32.01)	(46) RH to (46) LH	1,252 (49.29)
(24) RH to (24) LH	1,438 (56.61)	(47) RH to (47) LH	1,552 (61.10)
(41) RH to (41) LH	950 (37.40)	(48) RH to (48) LH	1,210 (47.64)