

COMMUNICATION SYSTEM

COM

	Page
1. General Description	2
2. Horn System	3
3. Horn	4
4. Horn Switch	5

GENERAL DESCRIPTION

COMMUNICATION SYSTEM

1. General Description

A: CAUTION

- Before disassembling or reassembling parts, always disconnect the battery ground cable. When replacing radio, control module, and other parts provided with memory functions, record memory contents before disconnecting the battery ground cable. Otherwise, the memory will be erased.
- Reassemble in reverse order of disassembly, unless otherwise indicated.
- Adjust parts to the given specifications.
- Connect the connectors and hoses securely during reassembly.
- After reassembly, make sure functional parts operate smoothly.

B: PREPARATION TOOL

1. GENERAL TOOLS

TOOL NAME	REMARKS
Circuit Tester	Used for measuring resistance and voltage.

2. Horn System

A: SCHEMATIC

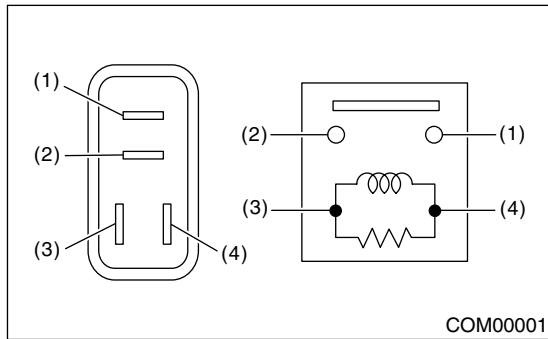
1. HORN

<Ref. to WI-171, SCHEMATIC, Horn System.>

B: INSPECTION

1. HORN RELAY

Measure the horn relay resistance between terminals (indicated in table below) when connecting terminal No. 4 to battery positive terminal and terminal No. 3 to battery negative terminal.

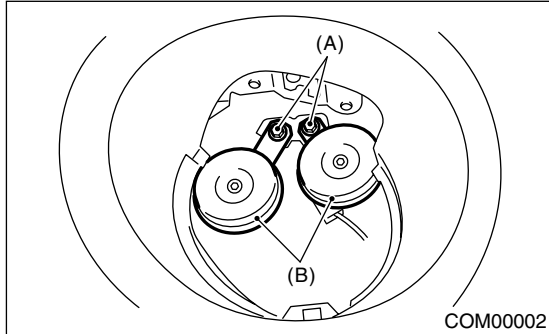


Current	Terminal No.	Standard
Flow	1 and 2	Less than 1Ω
No Flow		More than 1MΩ

3. Horn

A: REMOVAL

- 1) Disconnect the ground cable from battery.
- 2) Remove the front fog light assembly (LH). <Ref. to LI-19, REMOVAL, Front Fog Light Assembly.>
- 3) Remove the horn bracket mounting bolt (A).
- 4) Disconnect the harness connector and remove the horn assembly (B).

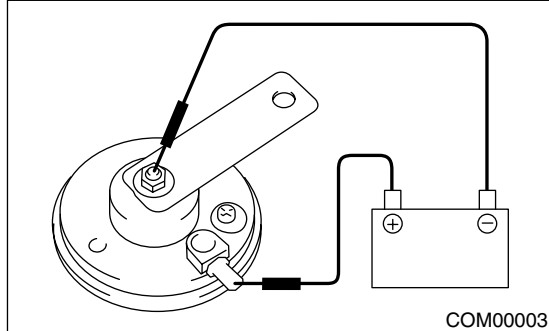


B: INSTALLATION

Install in the reverse order of removal.

C: INSPECTION

With 12 V direct current supplied between horn terminal and case ground, check that the horn sounds properly.



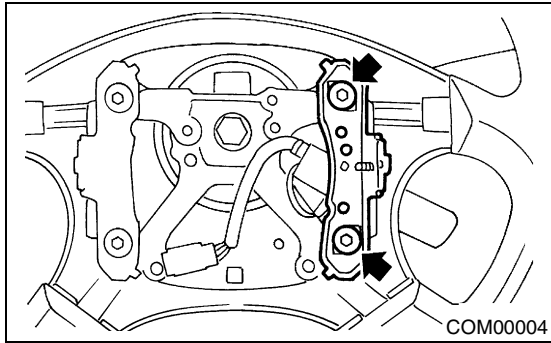
4. Horn Switch

A: REMOVAL

WARNING:

Before servicing, be sure to read the notes in the AB section for proper handling of the driver airbag module. <Ref. to AB-3, CAUTION, General Description.>

- 1) Disconnect the ground cable from battery.
- 2) Remove the driver's airbag module. <Ref. to AB-15, Driver's Airbag Module.>
- 3) Remove the horn switch from the steering wheel as shown in the figure.

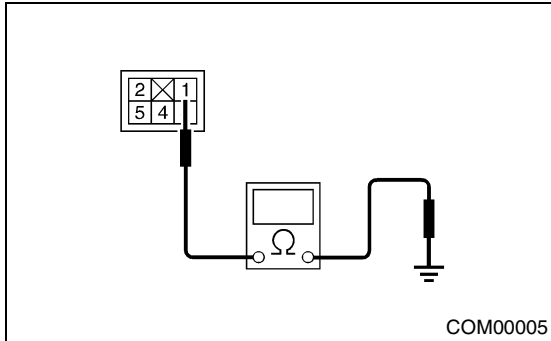


B: INSTALLATION

Install in the reverse order of removal.

C: INSPECTION

Measure the horn switch resistance.



Switch position	Terminal No.	Resistance
When horn switch is pushed.	1 and body ground	Less than 1Ω
When horn switch is not pushed.		More than 1MΩ

