

WIRING SYSTEM SECTION

WIRING SYSTEM

WI

This service manual has been prepared to provide SUBARU service personnel with the necessary information and data for the correct maintenance and repair of SUBARU vehicles.

This manual includes the procedures for maintenance, disassembling, reassembling, inspection and adjustment of components and diagnostics for guidance of experienced mechanics.

Please peruse and utilize this manual fully to ensure complete repair work for satisfying our customers by keeping their vehicle in optimum condition. When replacement of parts during repair work is needed, be sure to use SUBARU genuine parts.

All information, illustration and specifications contained in this manual are based on the latest product information available at the time of publication approval.

WIRING SYSTEM



	Page
1. Basic Diagnostics Procedure	3
2. Working Precautions	14
3. Power Supply Routing.....	15
4. Ground Distribution	29
5. Airbag System.....	52
6. Air Conditioning System.....	58
7. Anti-lock Brake System	70
8. AT Control System	77
9. Audio System	101
10. Charging System.....	105
11. Combination Meter.....	106
12. Cruise Control System	110
13. Engine Electrical System	120
14. Fuel Gauge System	186
15. Full-Time Dual-Range System	188
16. Front Accessory Power Supply System	190
17. Headlight Beam Leveler System.....	191
18. Horn System	193
19. Immobilizer System.....	194
20. Door Lock System.....	198
21. Keyless Entry System	200
22. Back-up Light System	209
23. Clearance Light and Illumination Light System	210
24. Front Fog Light System.....	219
25. Headlight System	221
26. Headlight Washer System.....	223
27. In Compartment Light System.....	224
28. Stop Light System	228
29. Turn Signal Light and Hazard Light System.....	229
30. Oil Pressure Warning Light System	233
31. Rear Differential Oil Temperature Warning Light System	235
32. Outside Temperature Display System	236
33. Parking Brake and Brake Fluid Level Warning System	238
34. Power Window System	240
35. Radiator Fan System	248
36. Rear Fog Light System	249
37. Rear Window Defogger System.....	251
38. Remote Controlled Rearview Mirror System.....	253
39. Seat Belt Warning System	255
40. Seat Heater System	257
41. Security System	259
42. Starter System	261
43. Sunroof System.....	263

WIRING SYSTEM

44.	Wiper and Washer System (Front).....	264
45.	Wiper and Washer System (Rear)	265
46.	Rear Accessory Power Supply System.....	266
47.	Wiper Deicer System (Rear)	267
48.	Harness Components Location.....	268
49.	Front Wiring Harness	270
50.	Bulkhead Wiring Harness (In Engine Room)	274
51.	Bulkhead Wiring Harness (In Compartment)	282
52.	Engine Wiring Harness and Transmission Cord	288
53.	Instrument Panel Wiring Harness	292
54.	Rear Wiring Harness, Bulkhead Wiring Harness, Roof Cord and Fuel Tank Cord.....	296
55.	Door Cord.....	302
56.	Rear Wiring Harness and Rear Gate Cord	306

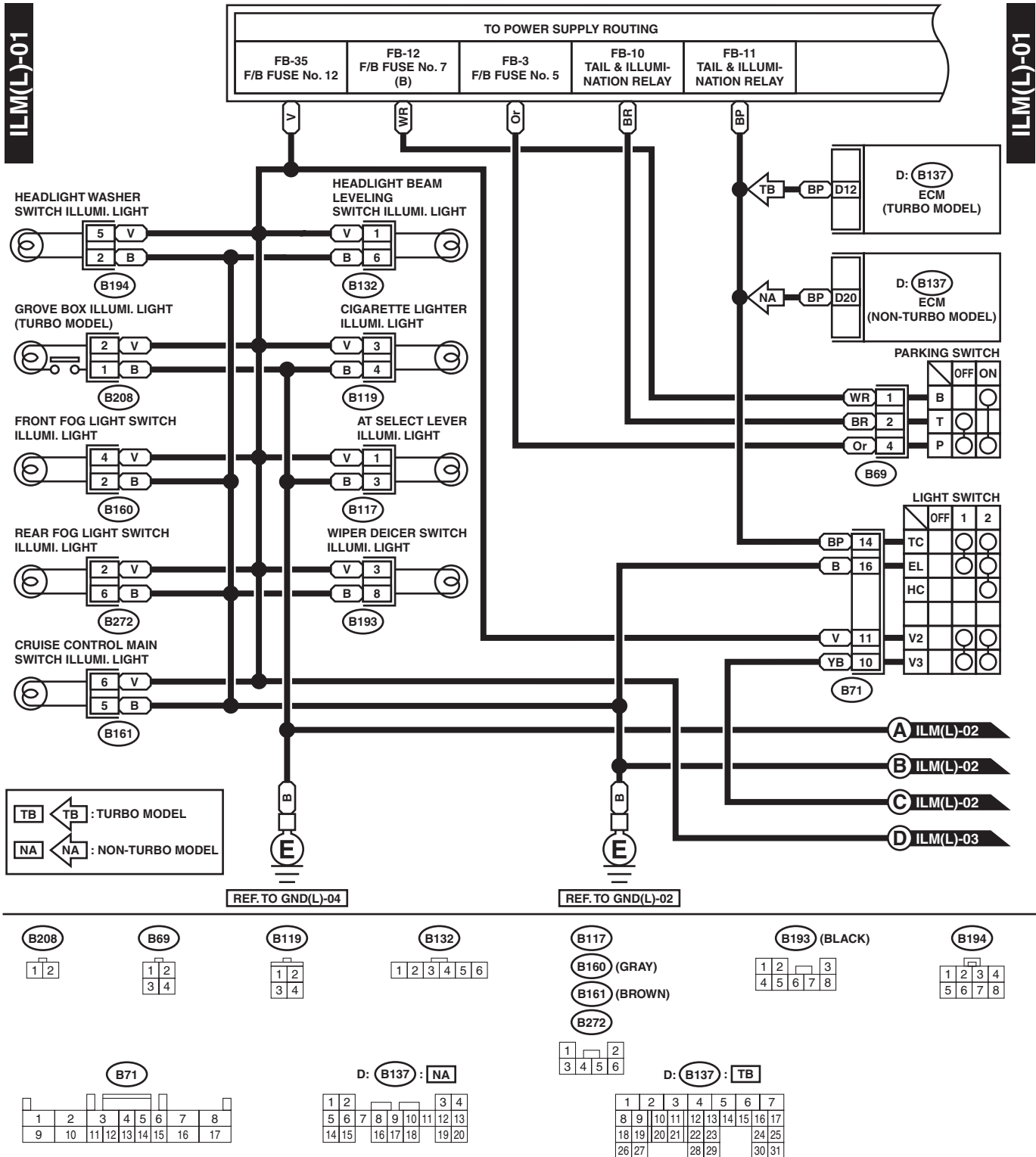
Clearance Light and Illumination Light System

WIRING SYSTEM

23. Clearance Light and Illumination Light System

A: WIRING DIAGRAM

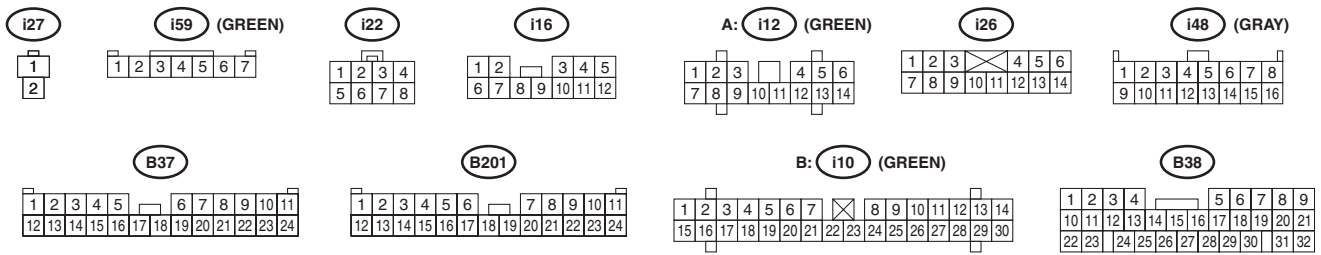
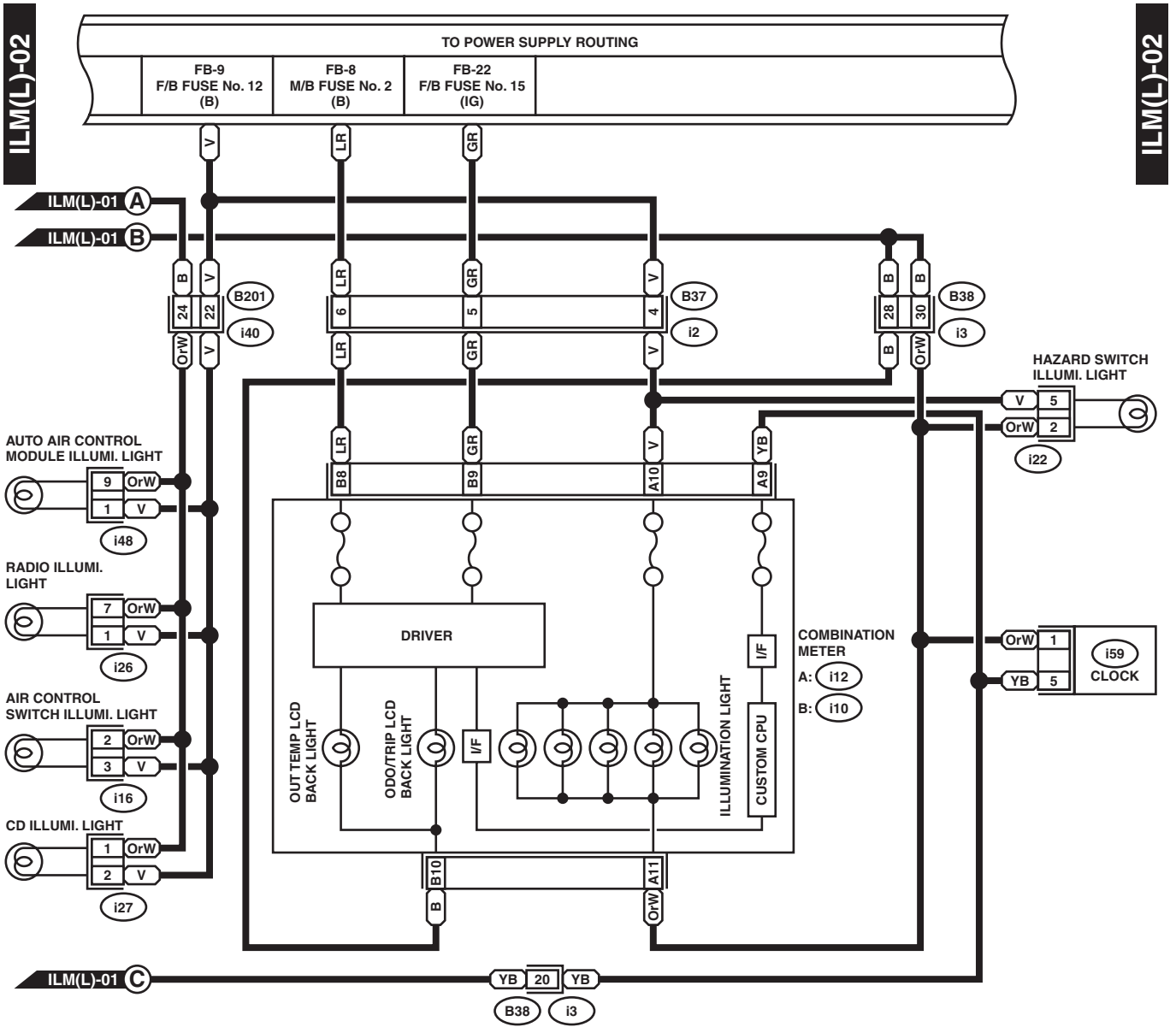
1. LHD MODEL



WI-03253

Clearance Light and Illumination Light System

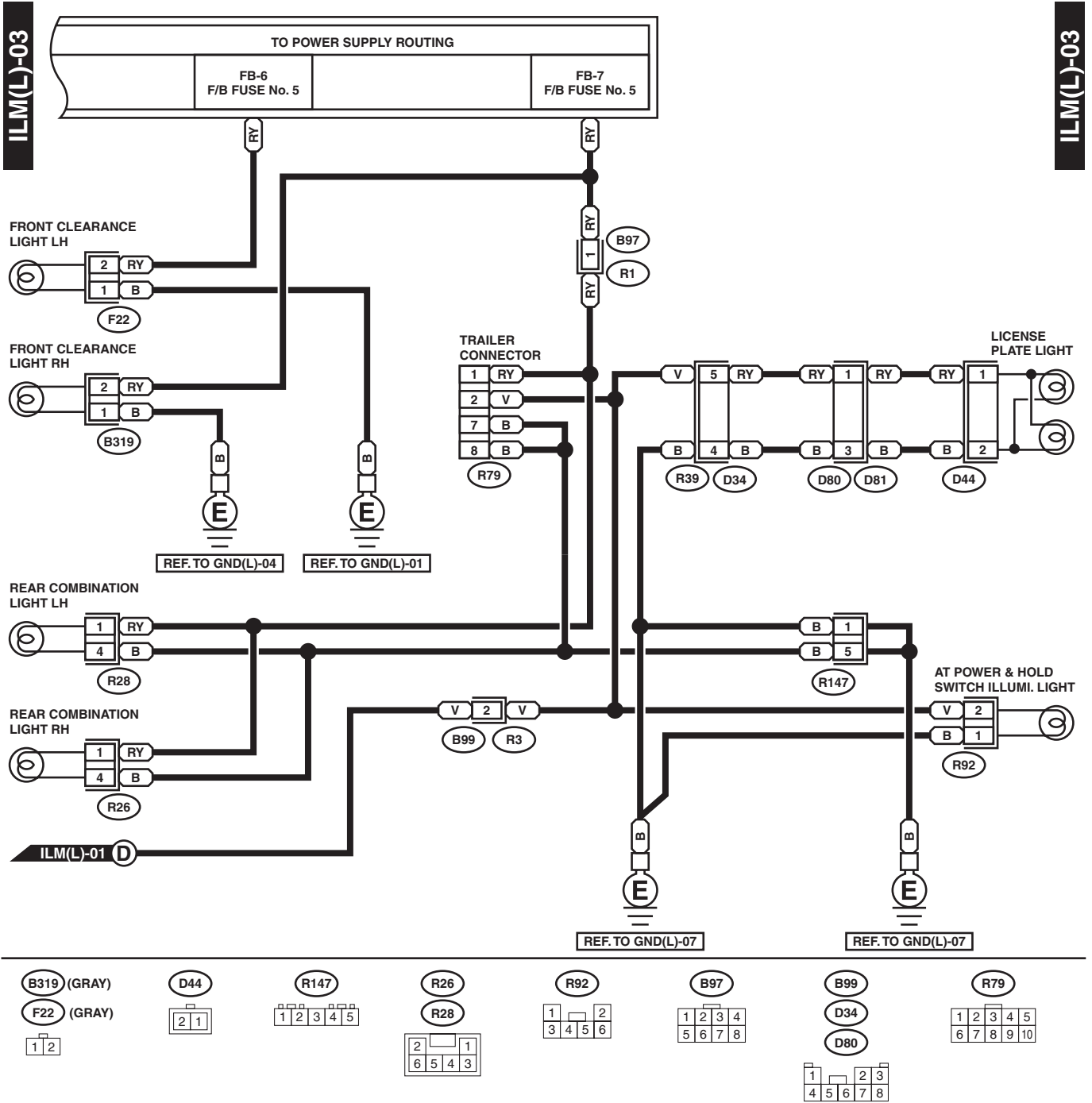
WIRING SYSTEM



WI-03254

Clearance Light and Illumination Light System

WIRING SYSTEM



ILM(L)-03

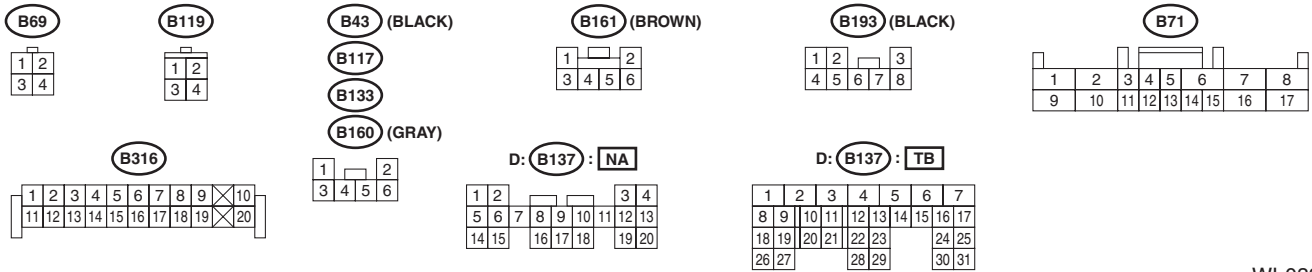
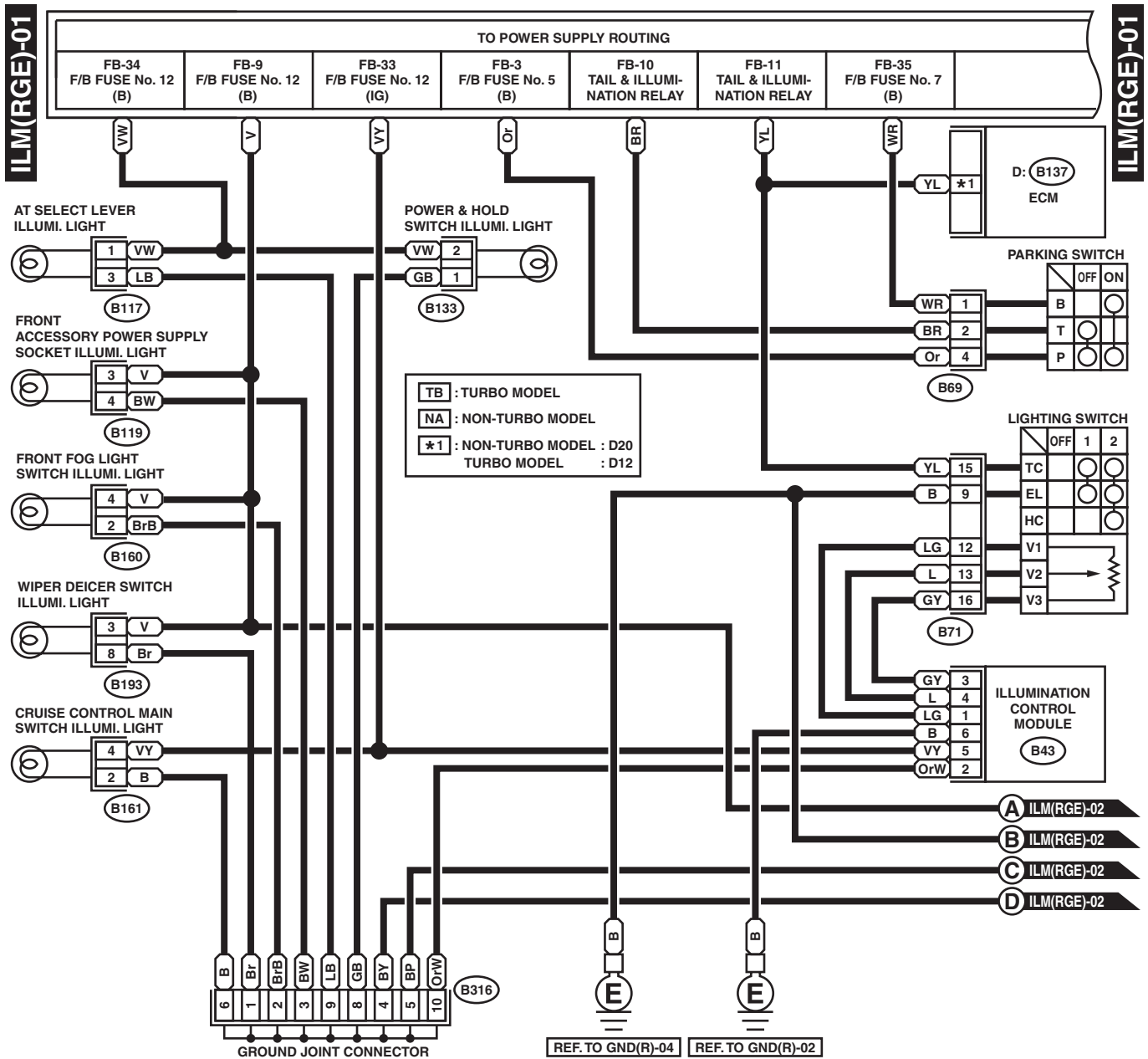
ILM(L)-03

WI-03255

Clearance Light and Illumination Light System

WIRING SYSTEM

2. RHD WITH ILLUMINATION CONTROL MODEL



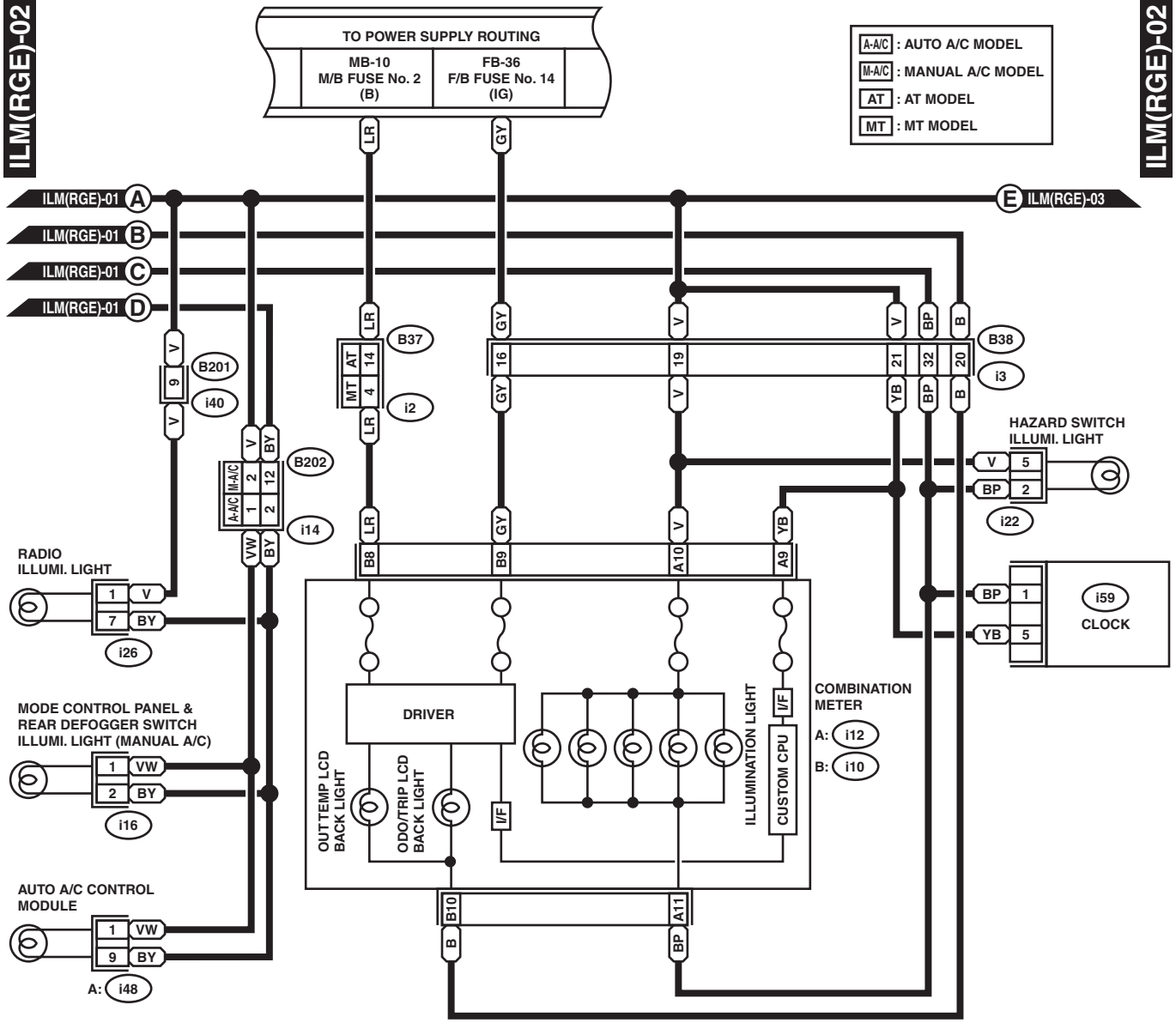
WI-03256

Clearance Light and Illumination Light System

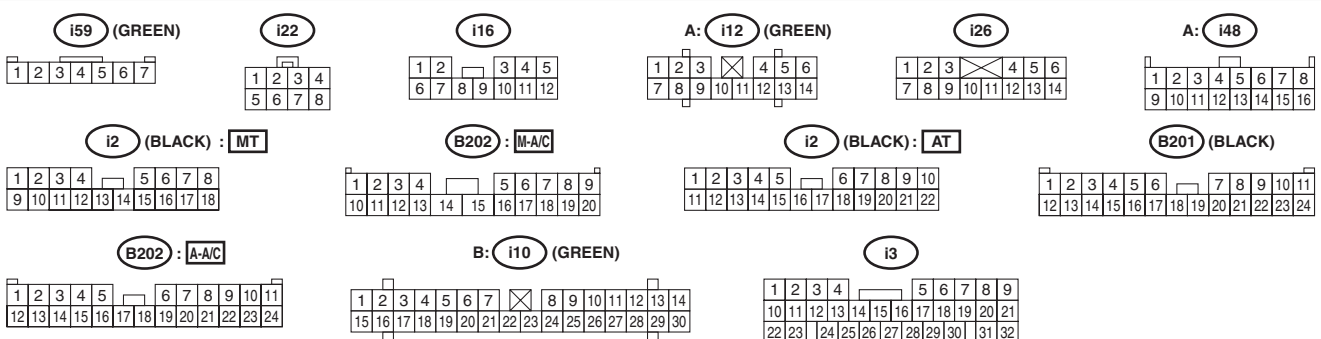
WIRING SYSTEM

ILM(RGE)-02

ILM(RGE)-02



A-A/C	: AUTO A/C MODEL
M-A/C	: MANUAL A/C MODEL
AT	: AT MODEL
MT	: MT MODEL



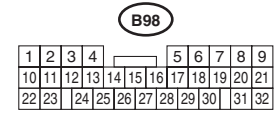
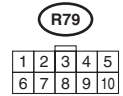
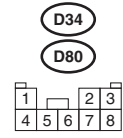
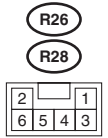
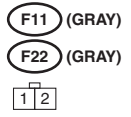
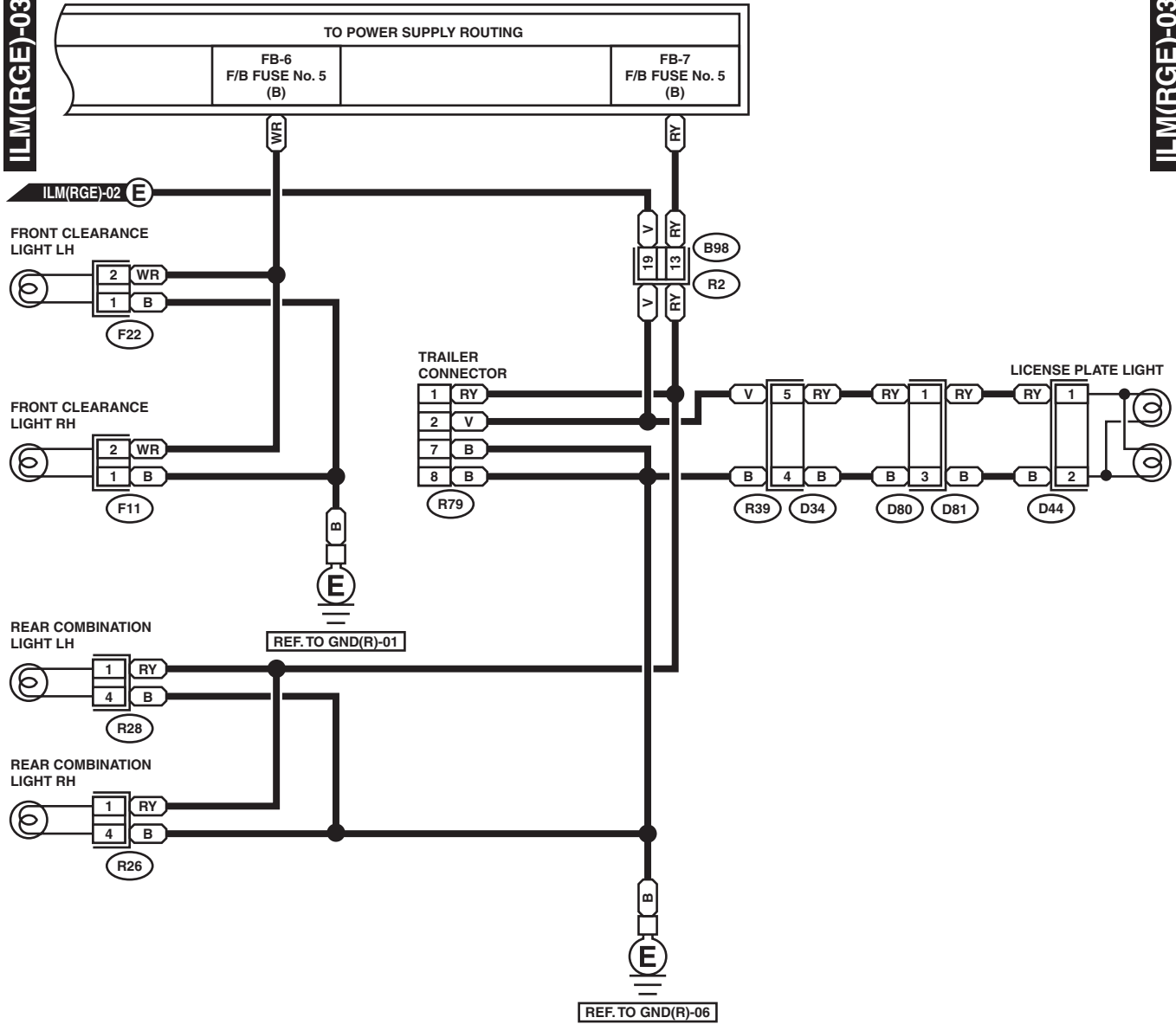
WI-03257

Clearance Light and Illumination Light System

WIRING SYSTEM

ILM(RGE)-03

ILM(RGE)-03

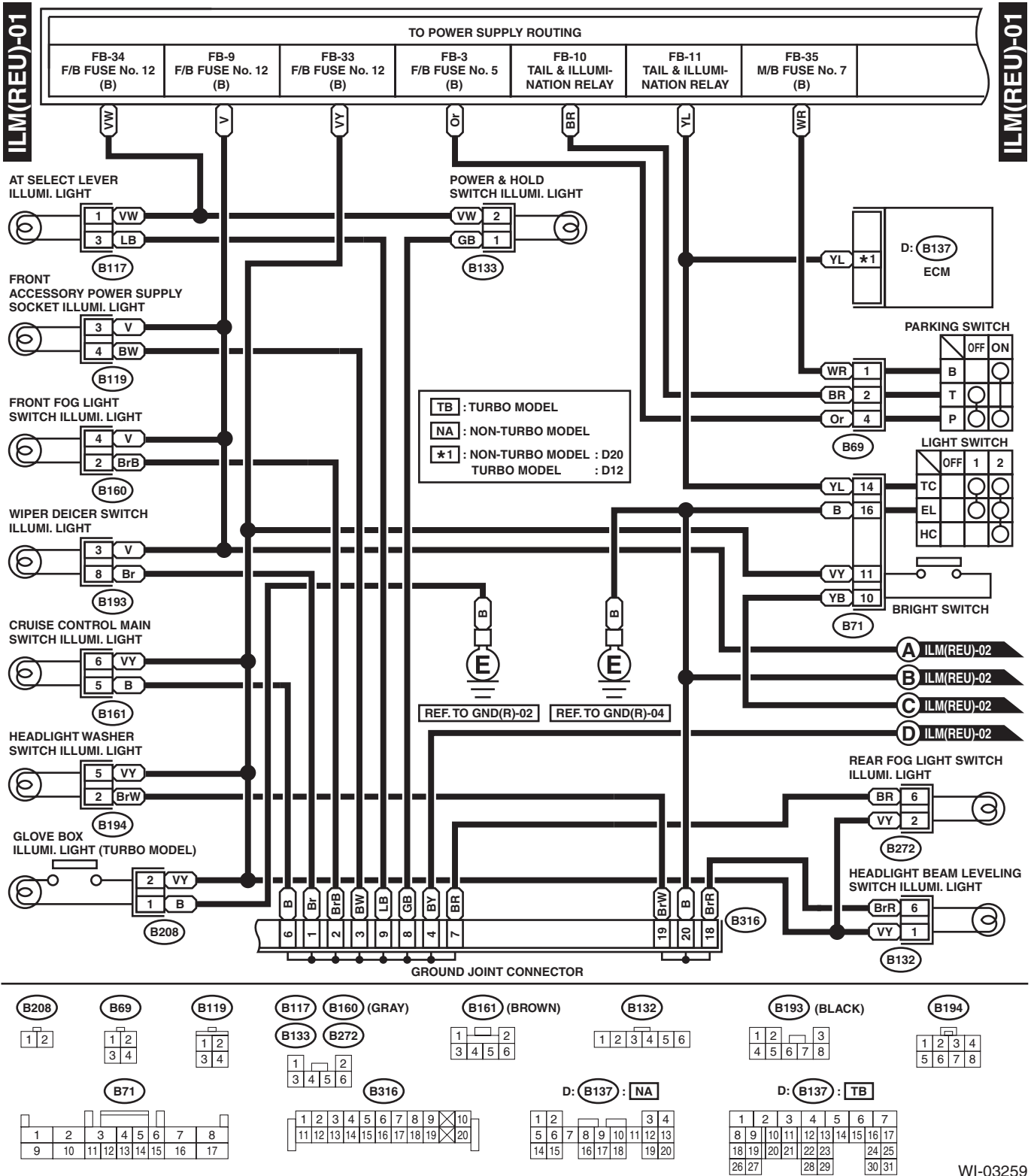


WI-03258

Clearance Light and Illumination Light System

WIRING SYSTEM

3. RHD WITH ILLUMINATION CONTROL MODEL



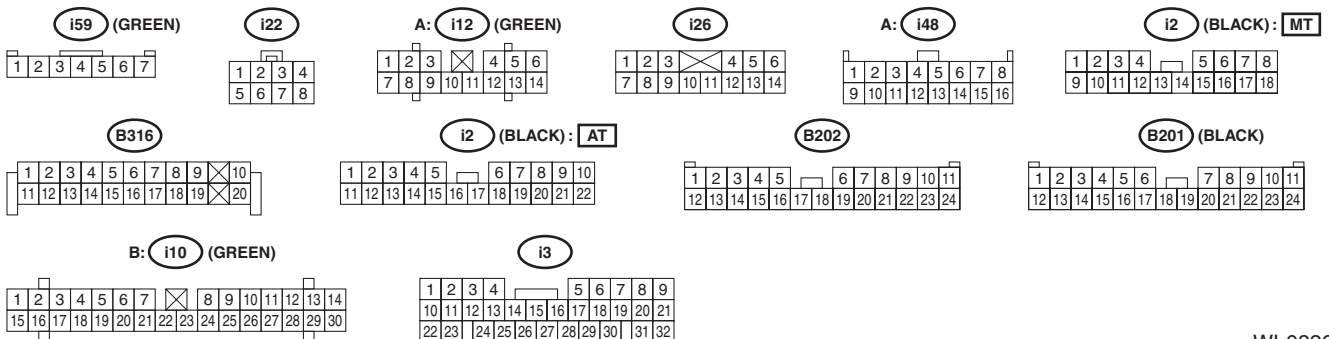
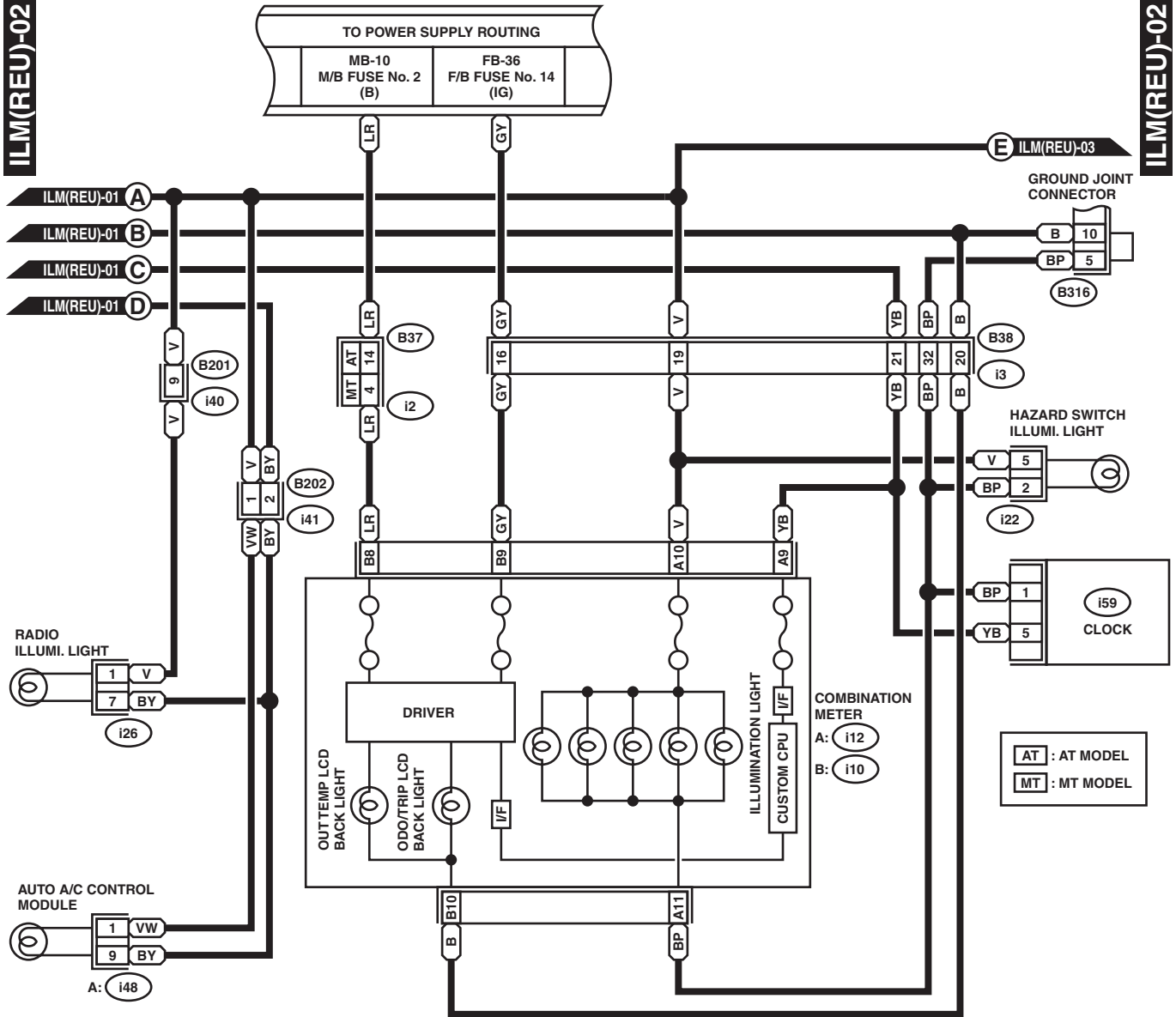
WI-03259

Clearance Light and Illumination Light System

WIRING SYSTEM

ILM(REU)-02

ILM(REU)-02



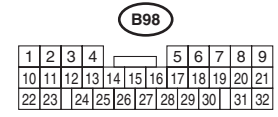
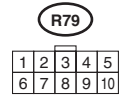
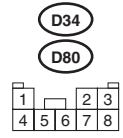
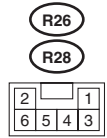
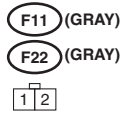
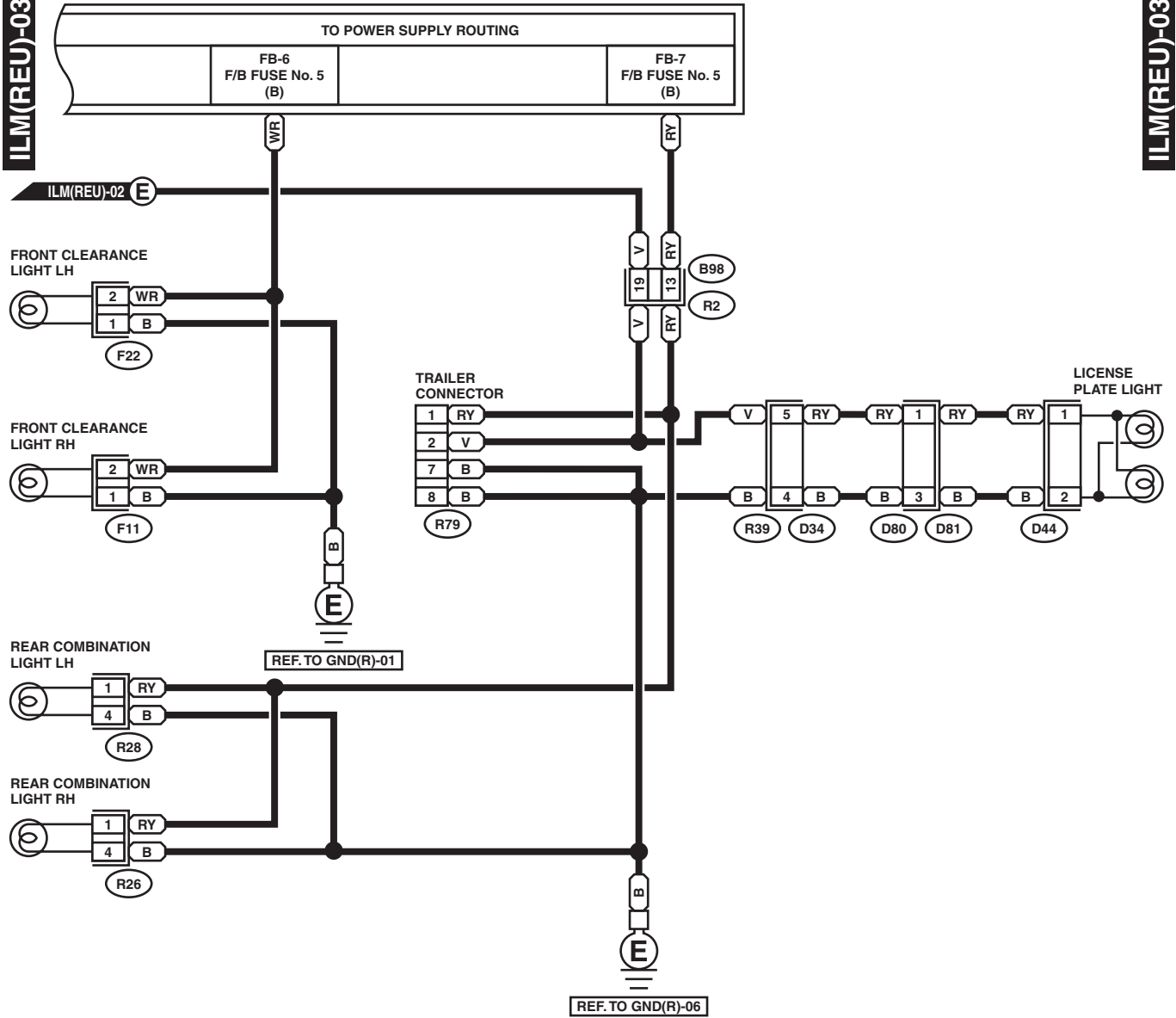
WI-03260

Clearance Light and Illumination Light System

WIRING SYSTEM

ILM(REU)-03

ILM(REU)-03

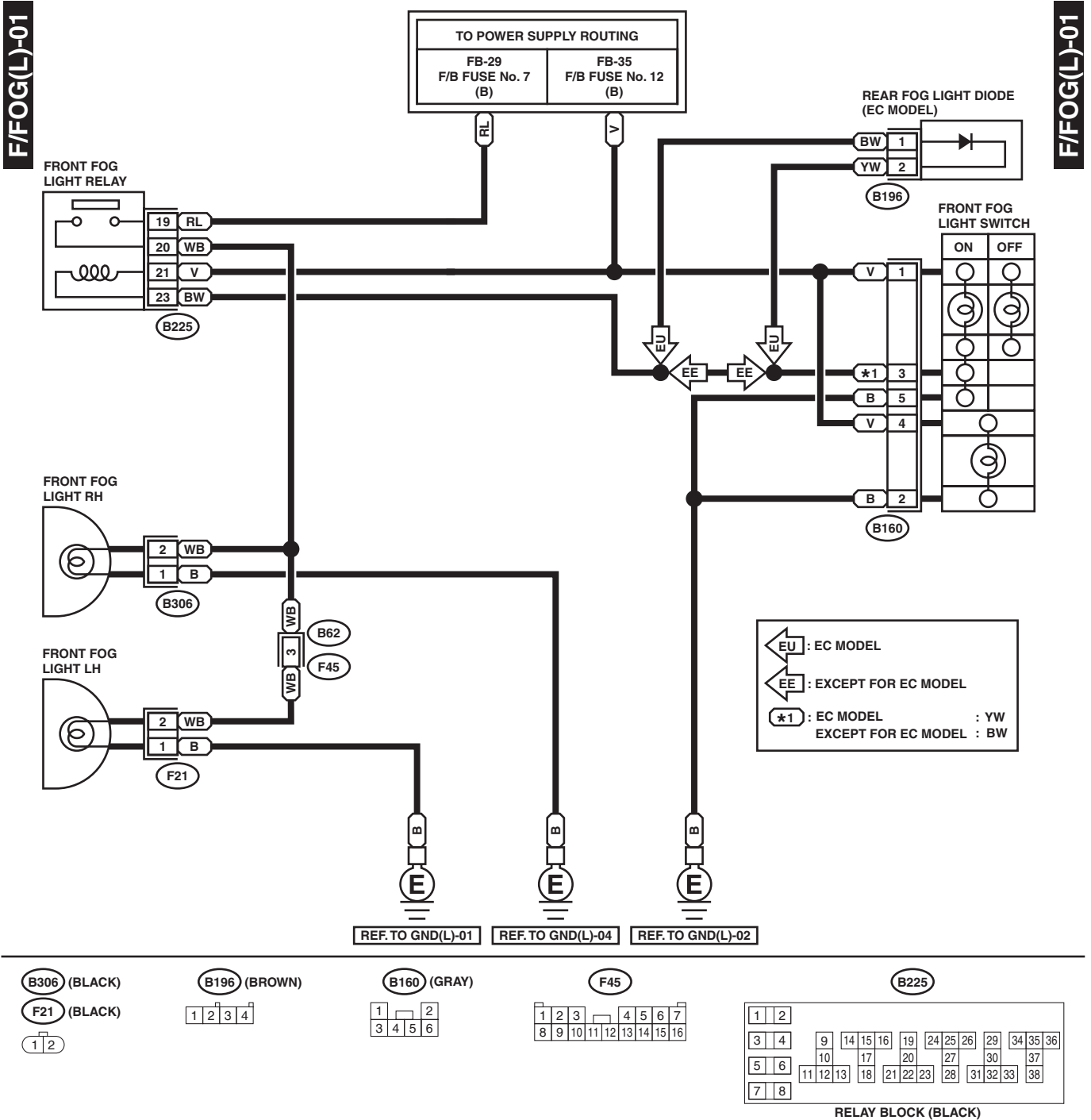


WI-03261

24. Front Fog Light System

A: WIRING DIAGRAM

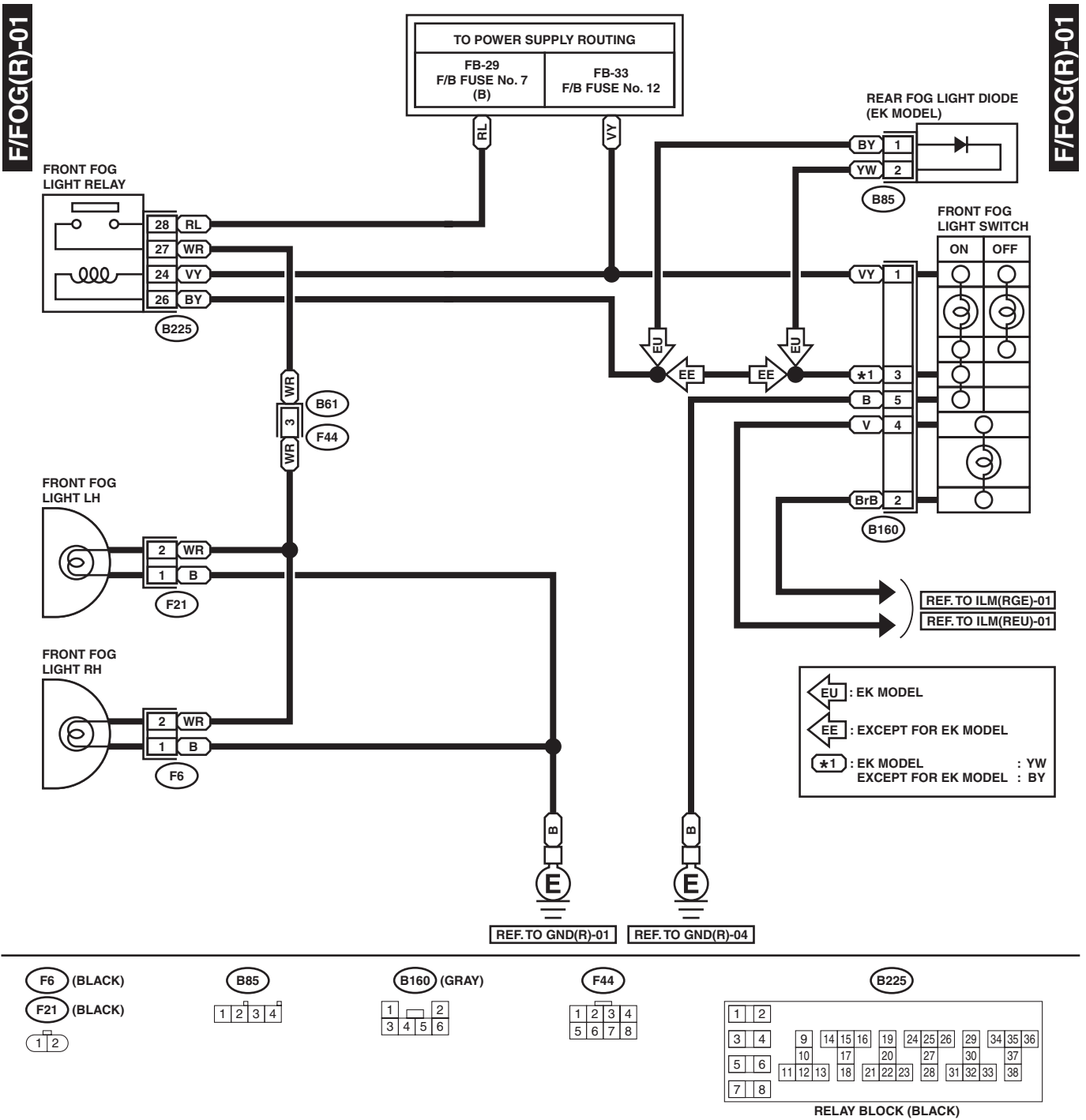
1. LHD MODEL



Front Fog Light System

WIRING SYSTEM

2. RHD MODEL



WI-03318

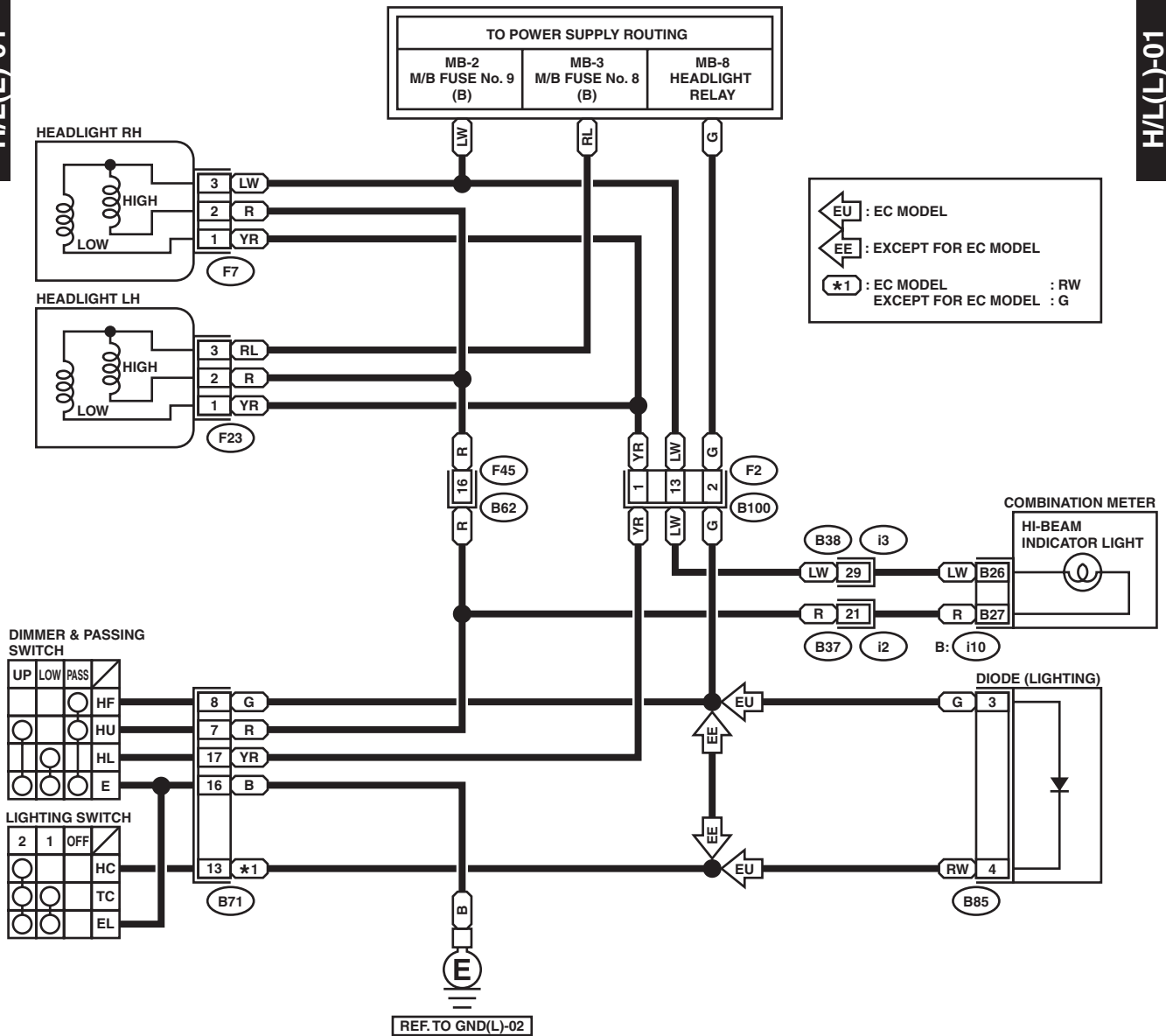
25. Headlight System

A: WIRING DIAGRAM

1. LHD MODEL

H/L(L)-01

H/L(L)-01



F7 (BLACK)

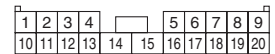
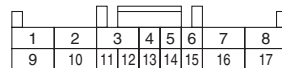
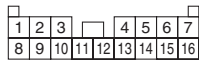
B85

F45

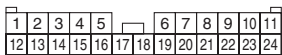
B71

F2 (BLUE)

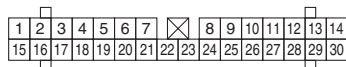
F23 (BLACK)



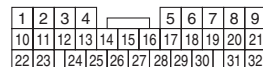
B37



B: i10 (GREEN)



B38



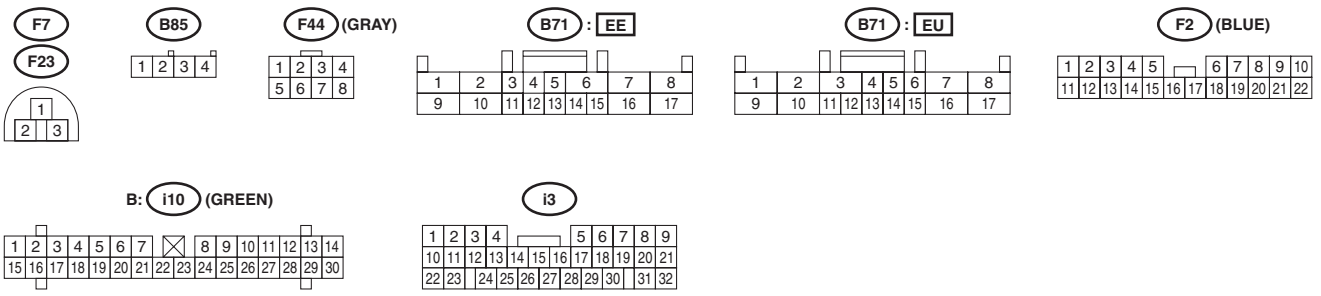
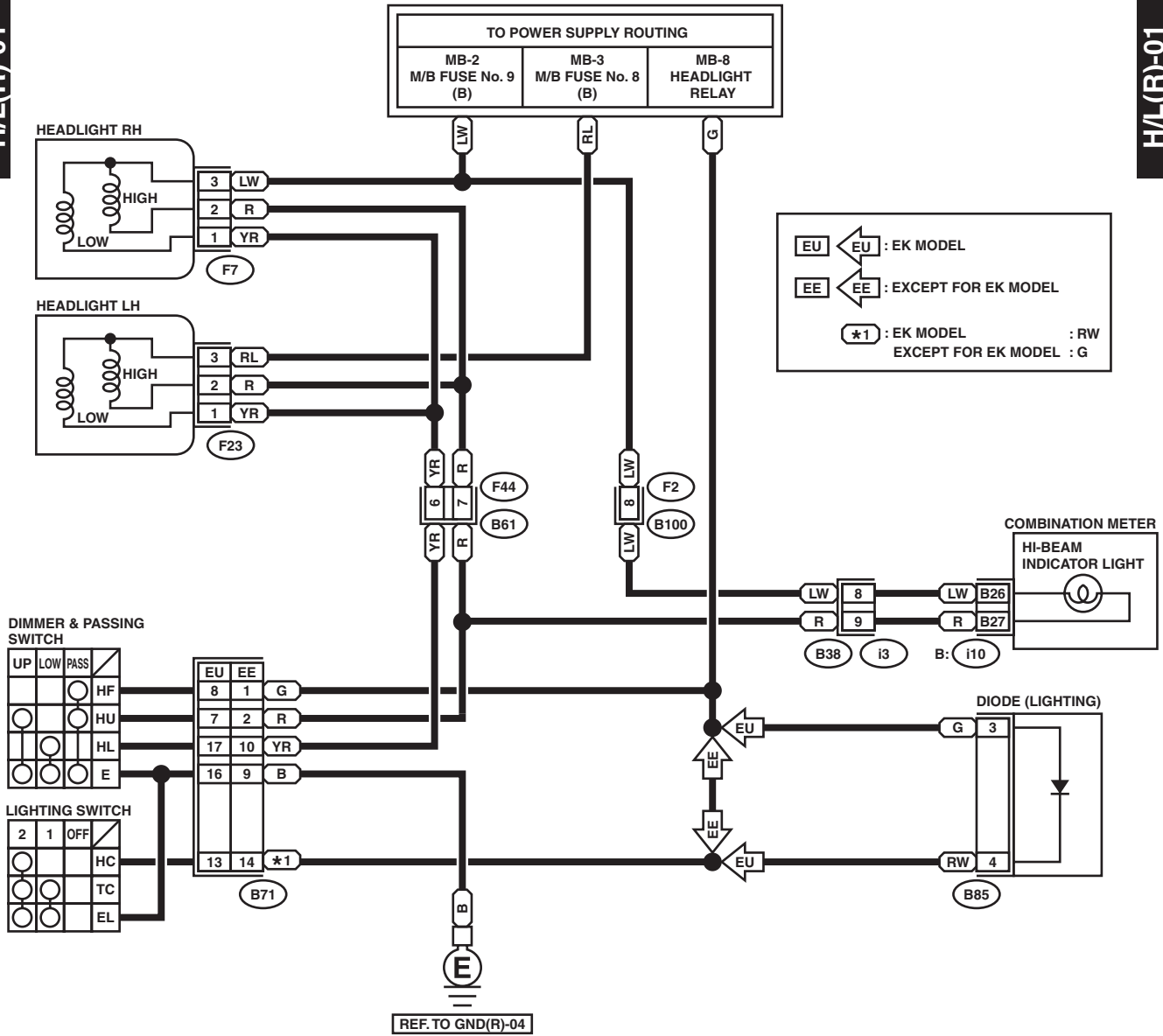
Headlight System

WIRING SYSTEM

2. RHD MODEL

H/L(R)-01

H/L(R)-01



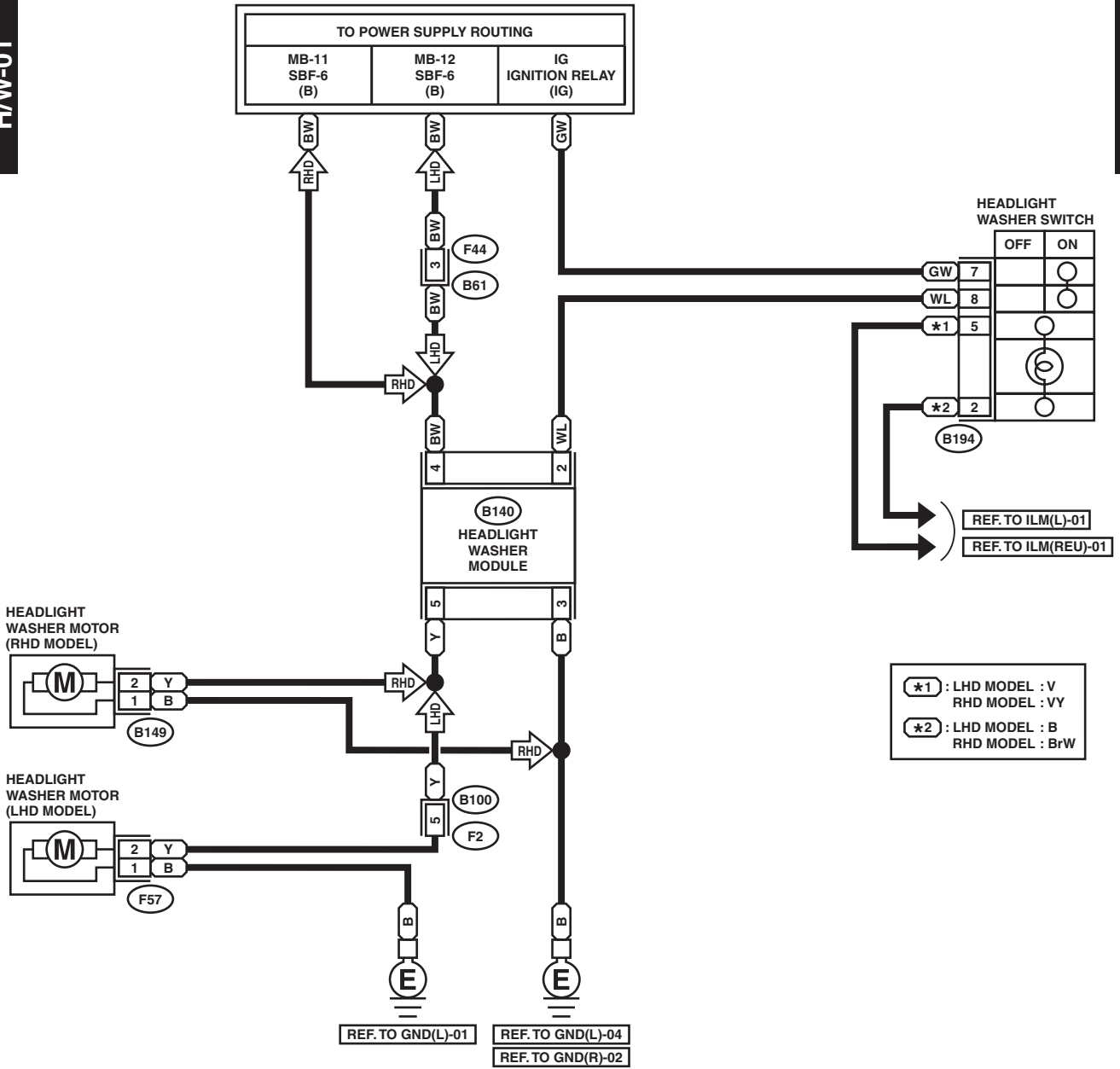
WI-03325

26. Headlight Washer System

A: WIRING DIAGRAM

H/W-01

H/W-01



F57 (BLUE)

B140 (BLACK)

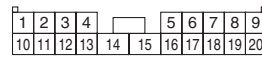
F44

F2 (BLUE)

B149 (BLUE)



B194



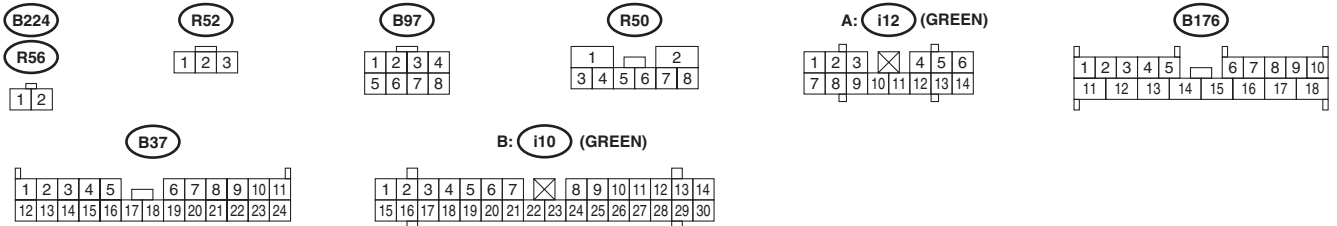
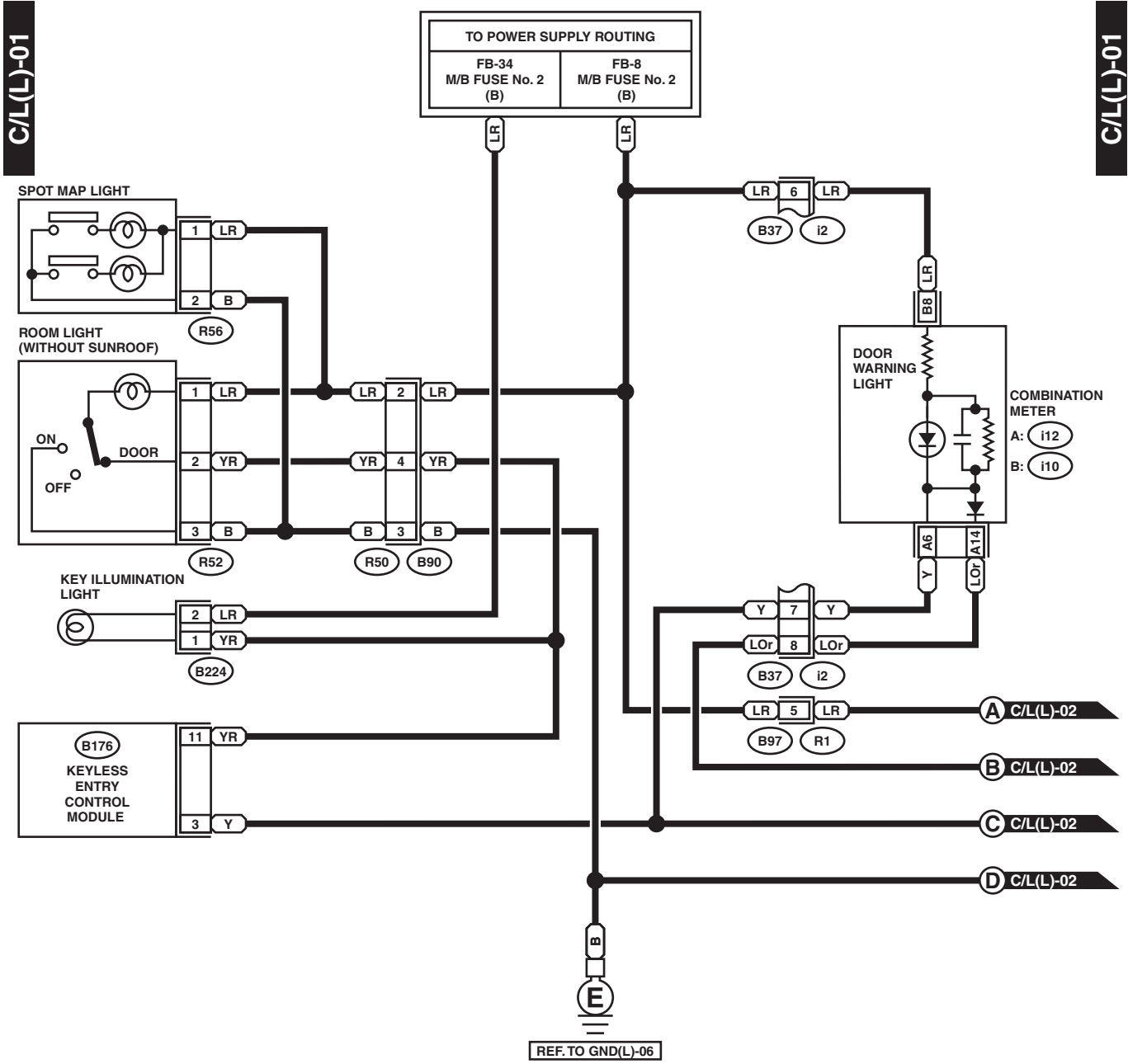
In Compartment Light System

WIRING SYSTEM

27. In Compartment Light System

A: WIRING DIAGRAM

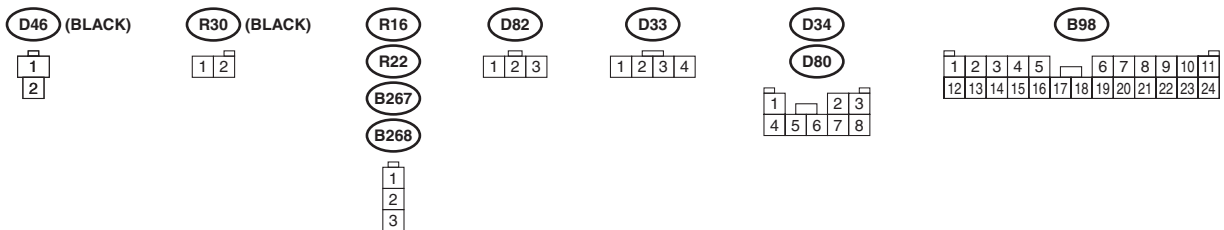
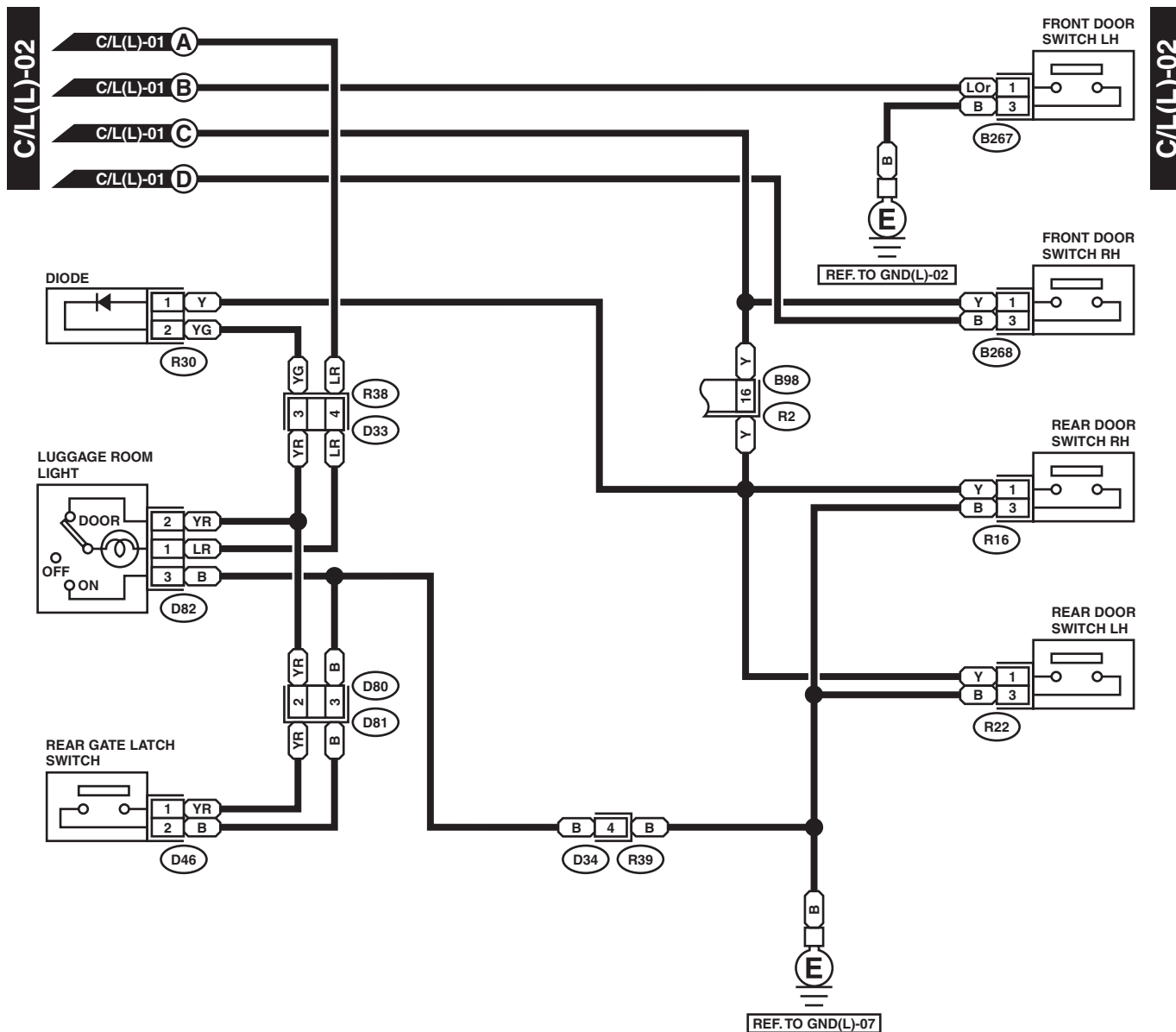
1. LHD MODEL



WI-03331

In Compartment Light System

WIRING SYSTEM

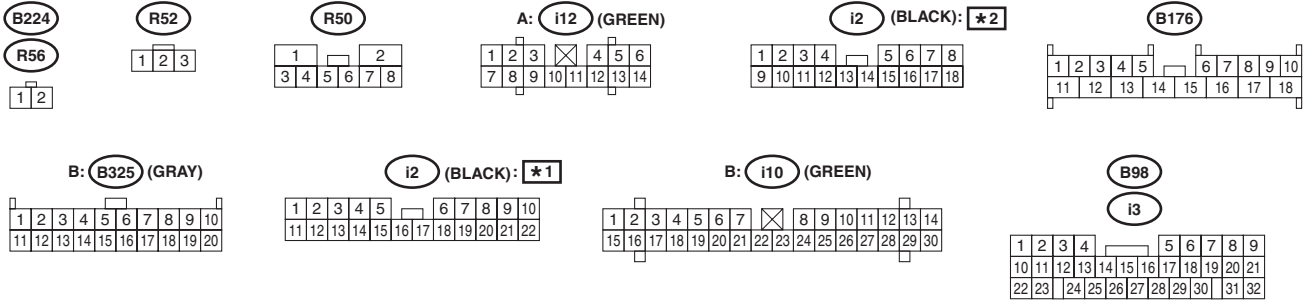
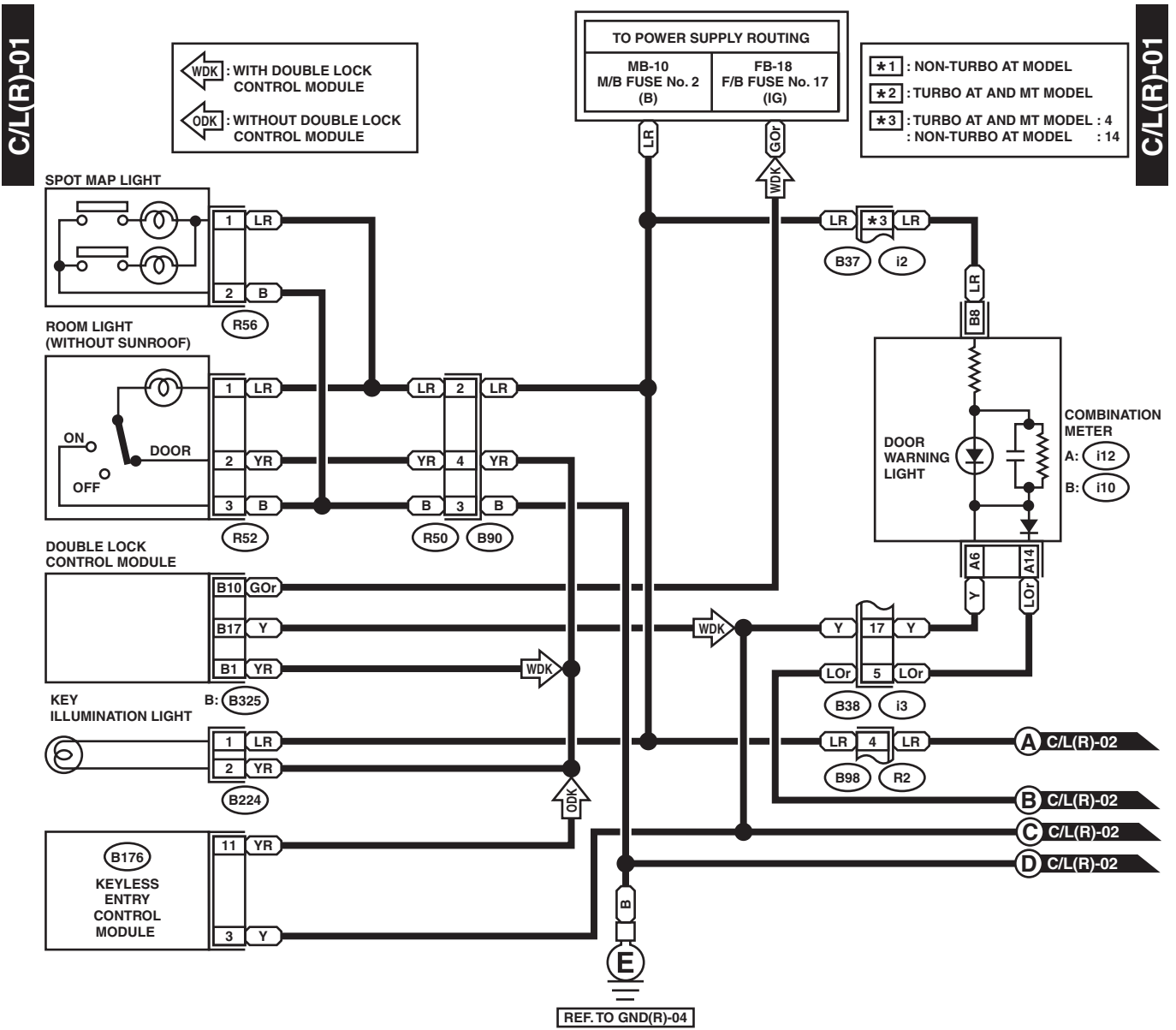


WI-03332

In Compartment Light System

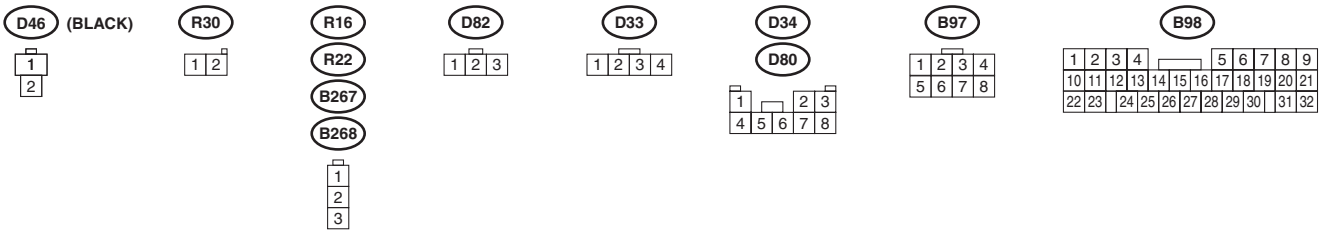
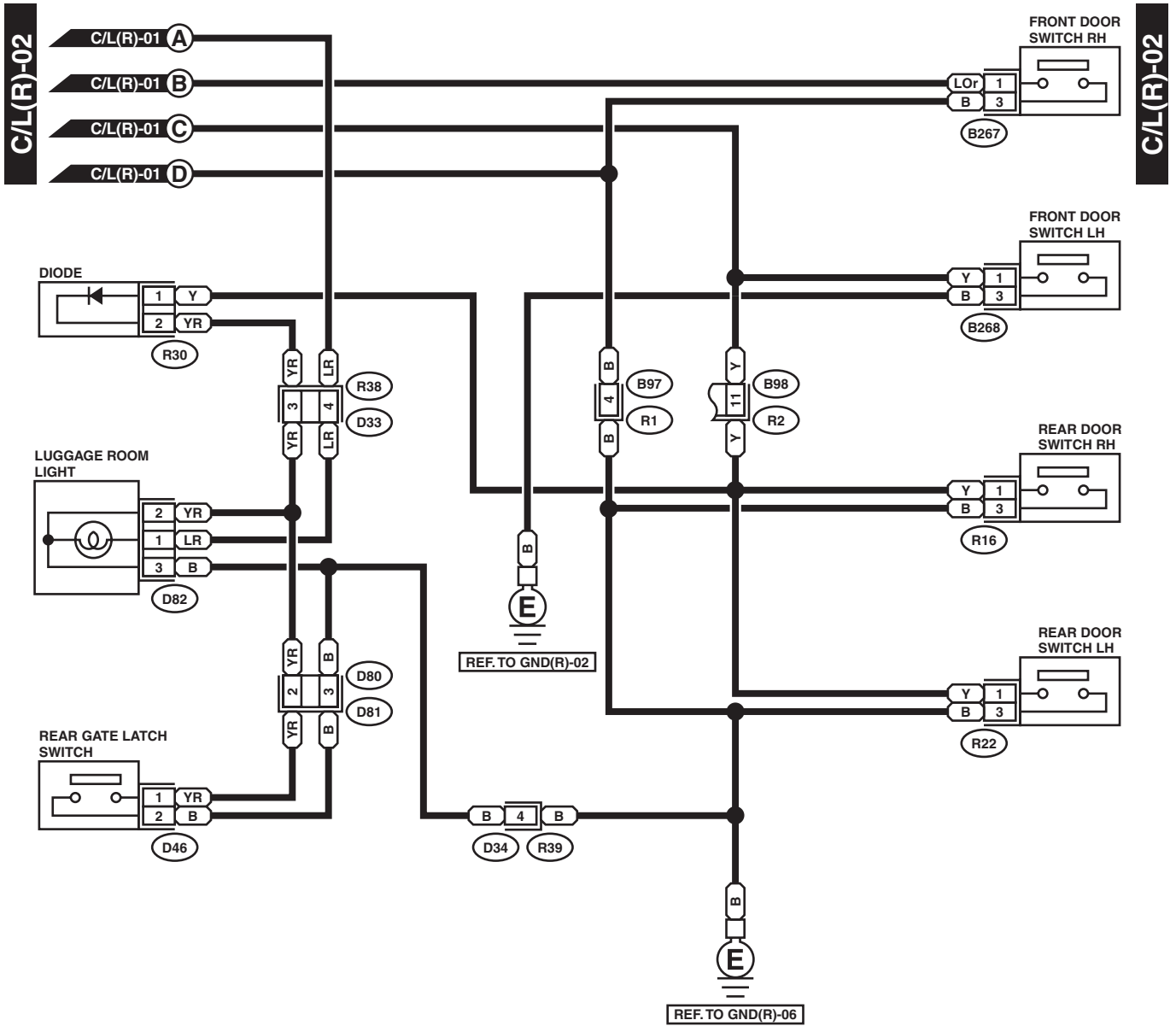
WIRING SYSTEM

2. RHD MODEL



In Compartment Light System

WIRING SYSTEM



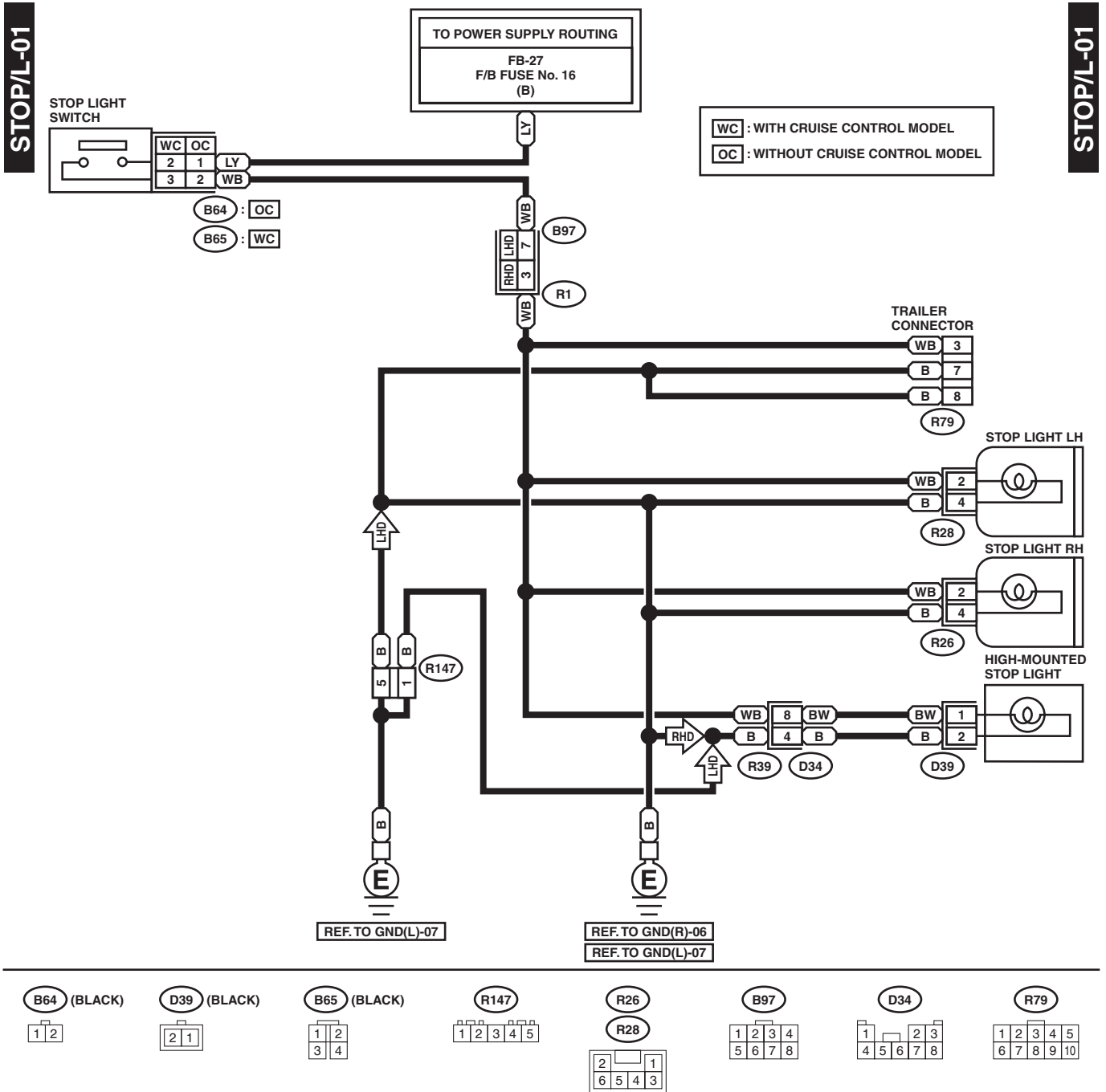
WI-03334

Stop Light System

WIRING SYSTEM

28. Stop Light System

A: WIRING DIAGRAM

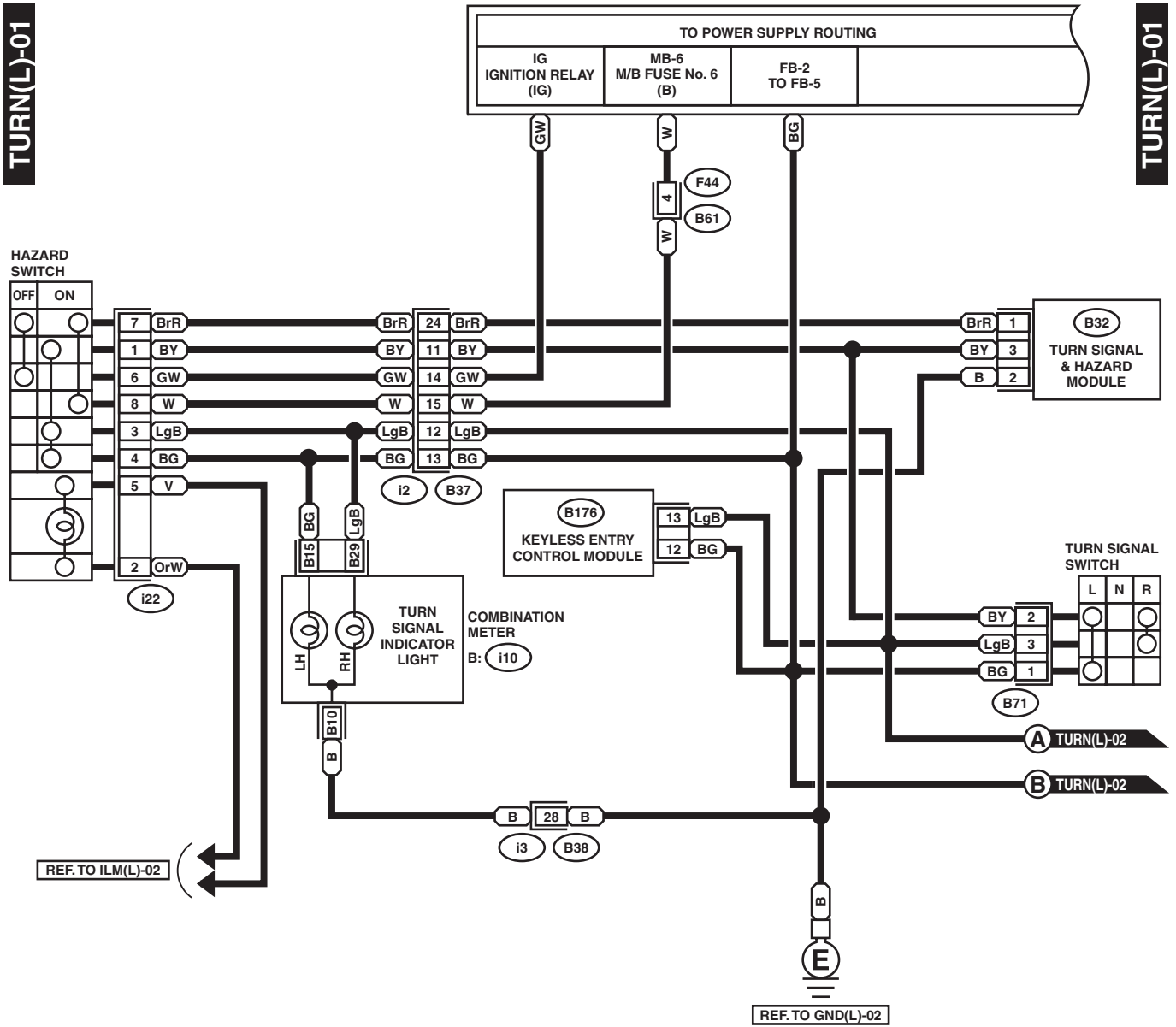


WI-03368

29. Turn Signal Light and Hazard Light System

A: WIRING DIAGRAM

1. LHD MODEL



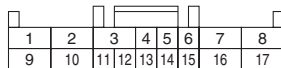
B32 (BLACK)



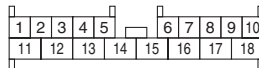
F44



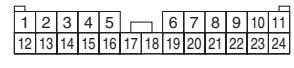
B71



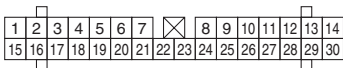
B176



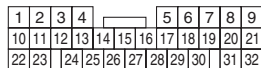
B37



B: i10 (GREEN)



B38

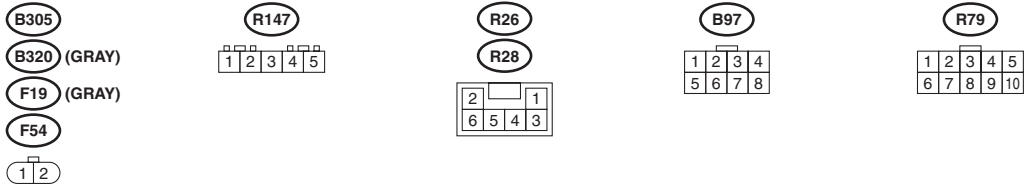
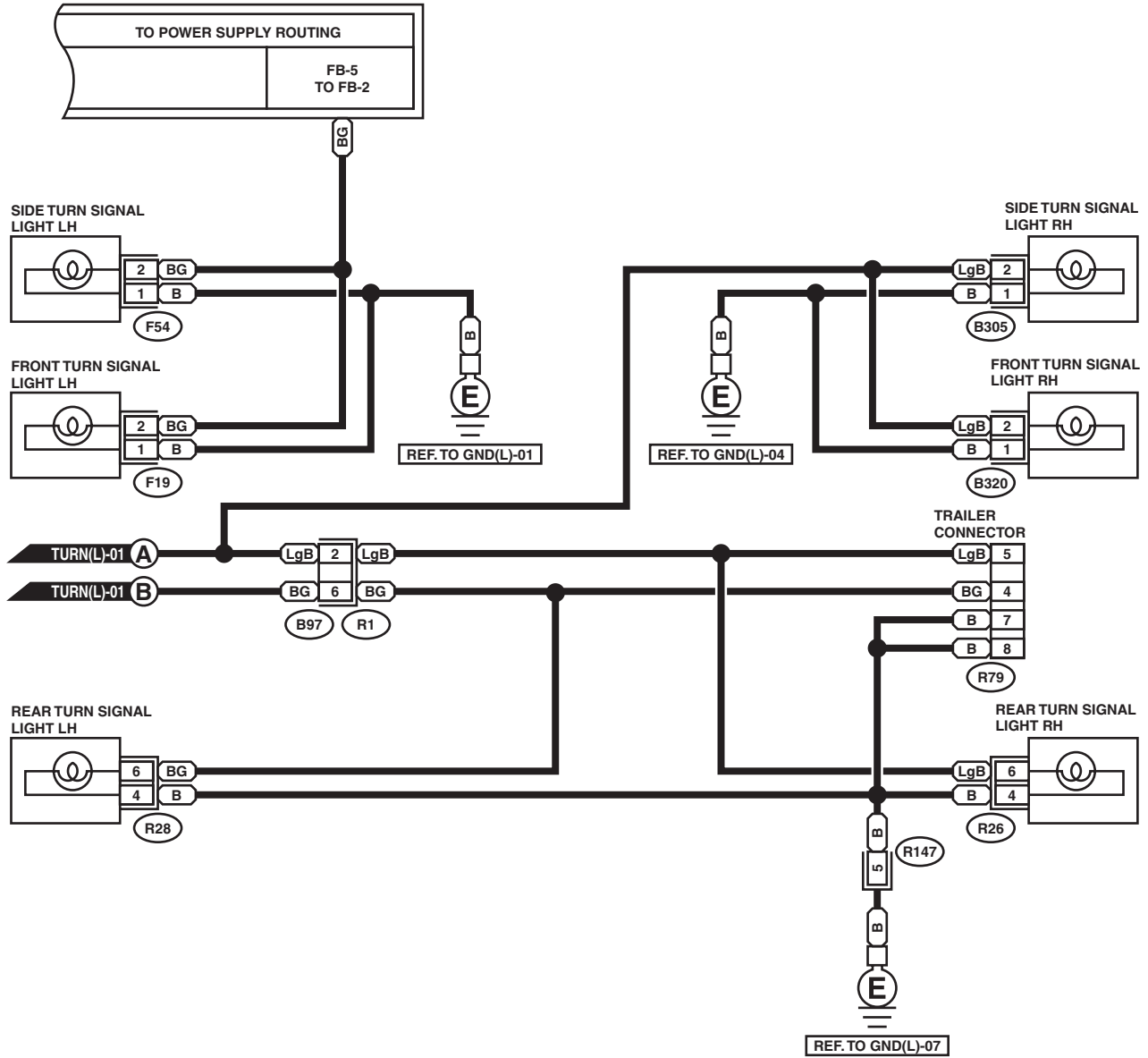


Turn Signal Light and Hazard Light System

WIRING SYSTEM

TURN(L)-02

TURN(L)-02

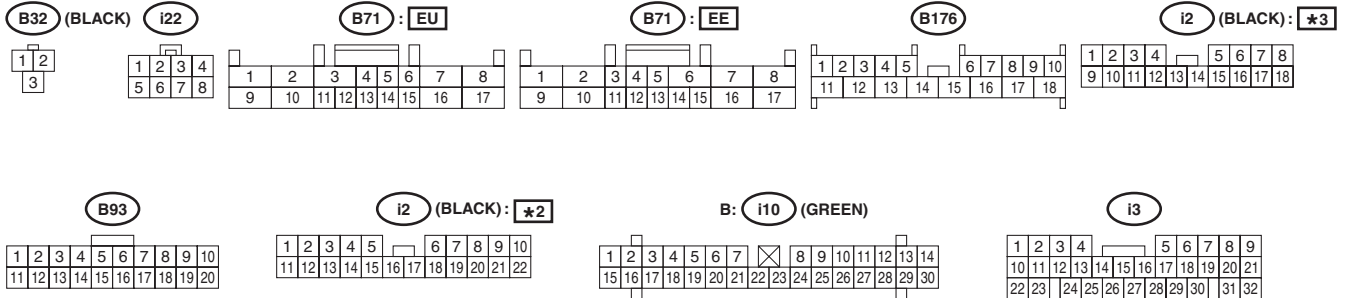
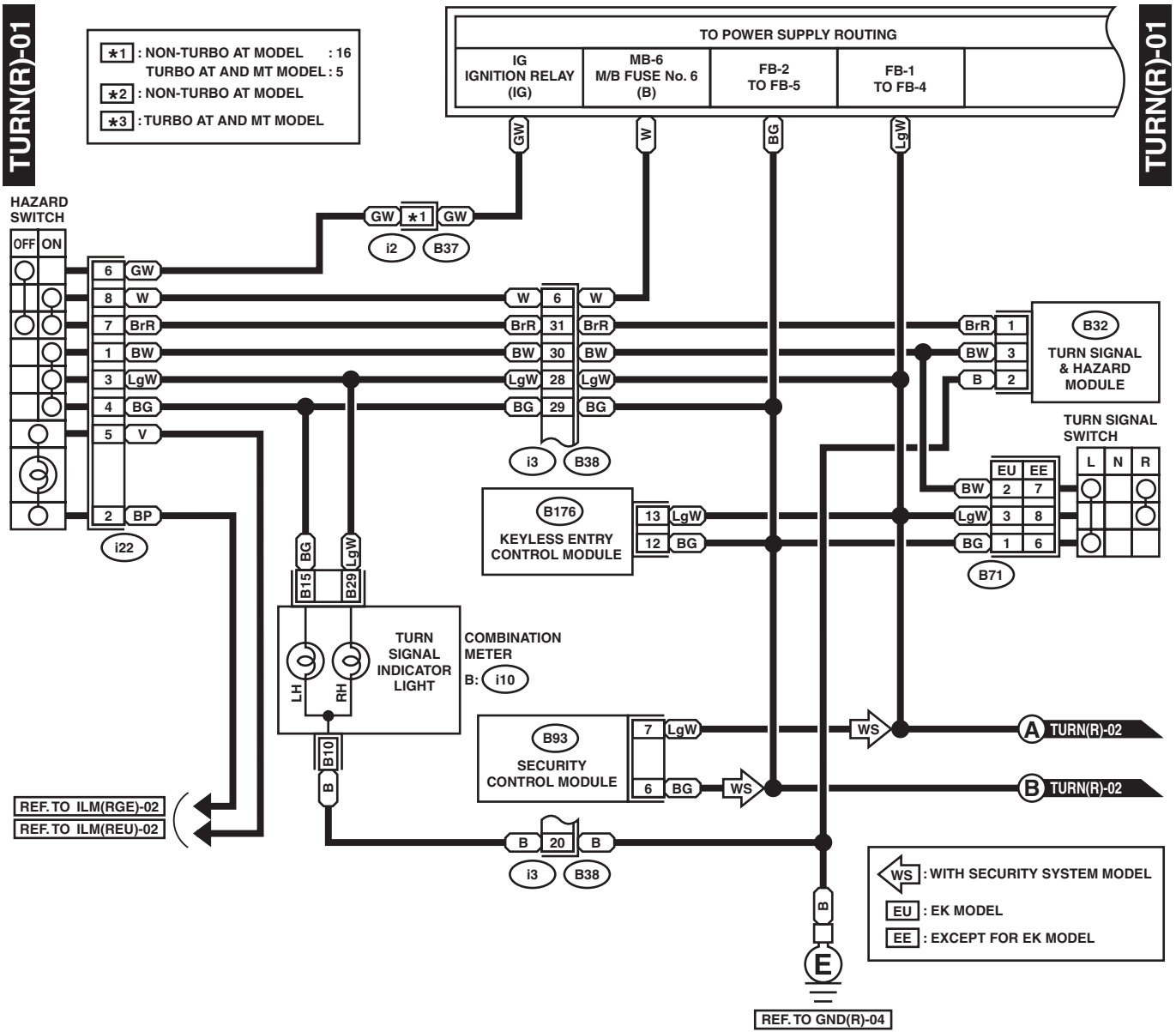


WI-03371

Turn Signal Light and Hazard Light System

WIRING SYSTEM

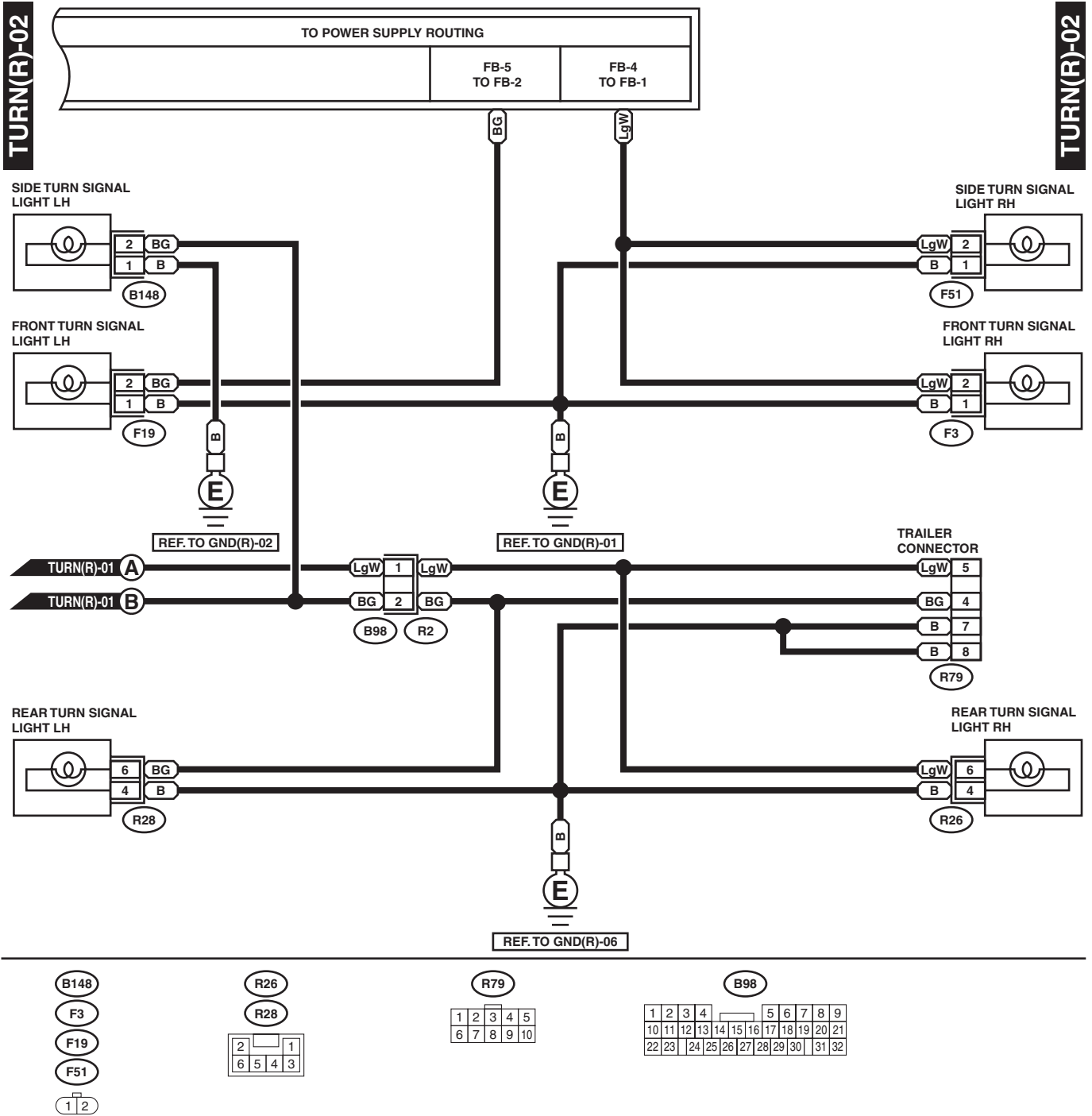
2. RHD MODEL



WI-03372

Turn Signal Light and Hazard Light System

WIRING SYSTEM

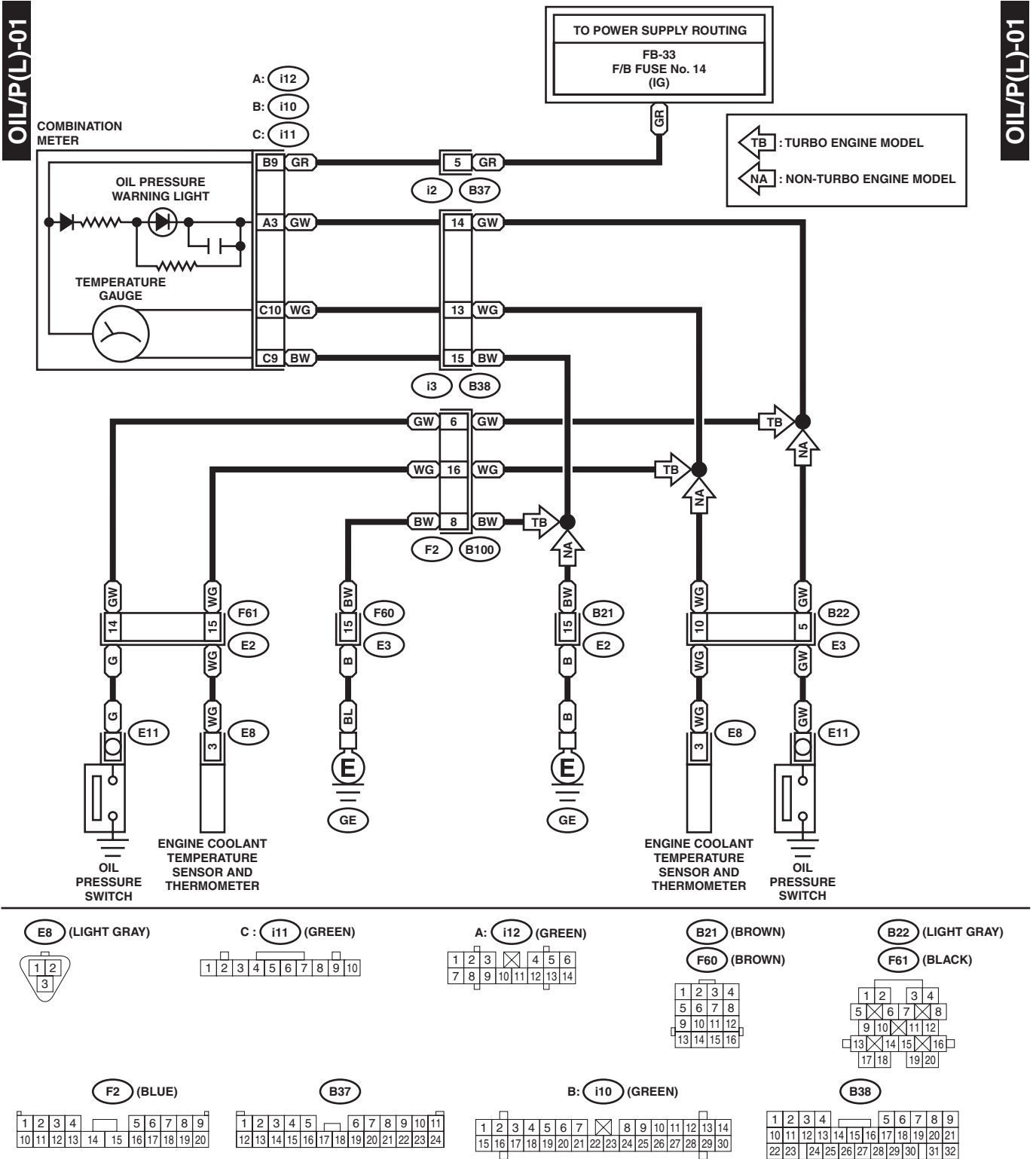


WI-00480

30. Oil Pressure Warning Light System

A: WIRING DIAGRAM

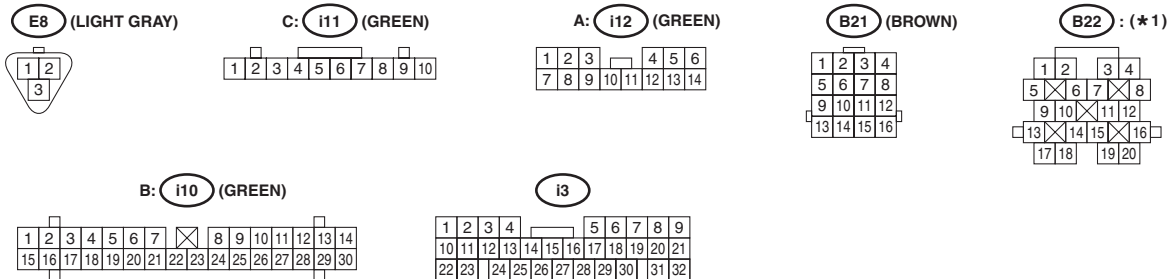
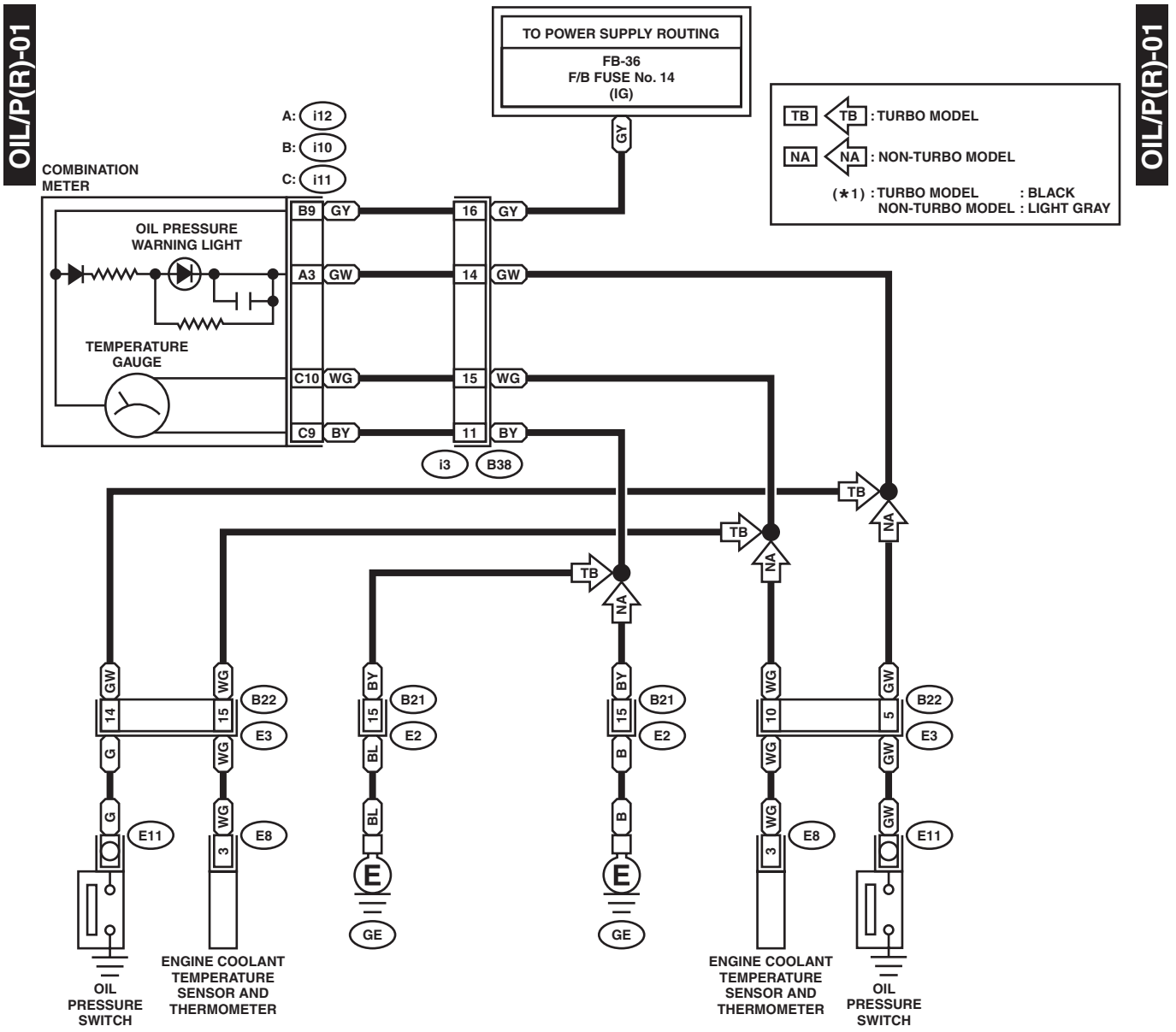
1. LHD MODEL



Oil Pressure Warning Light System

WIRING SYSTEM

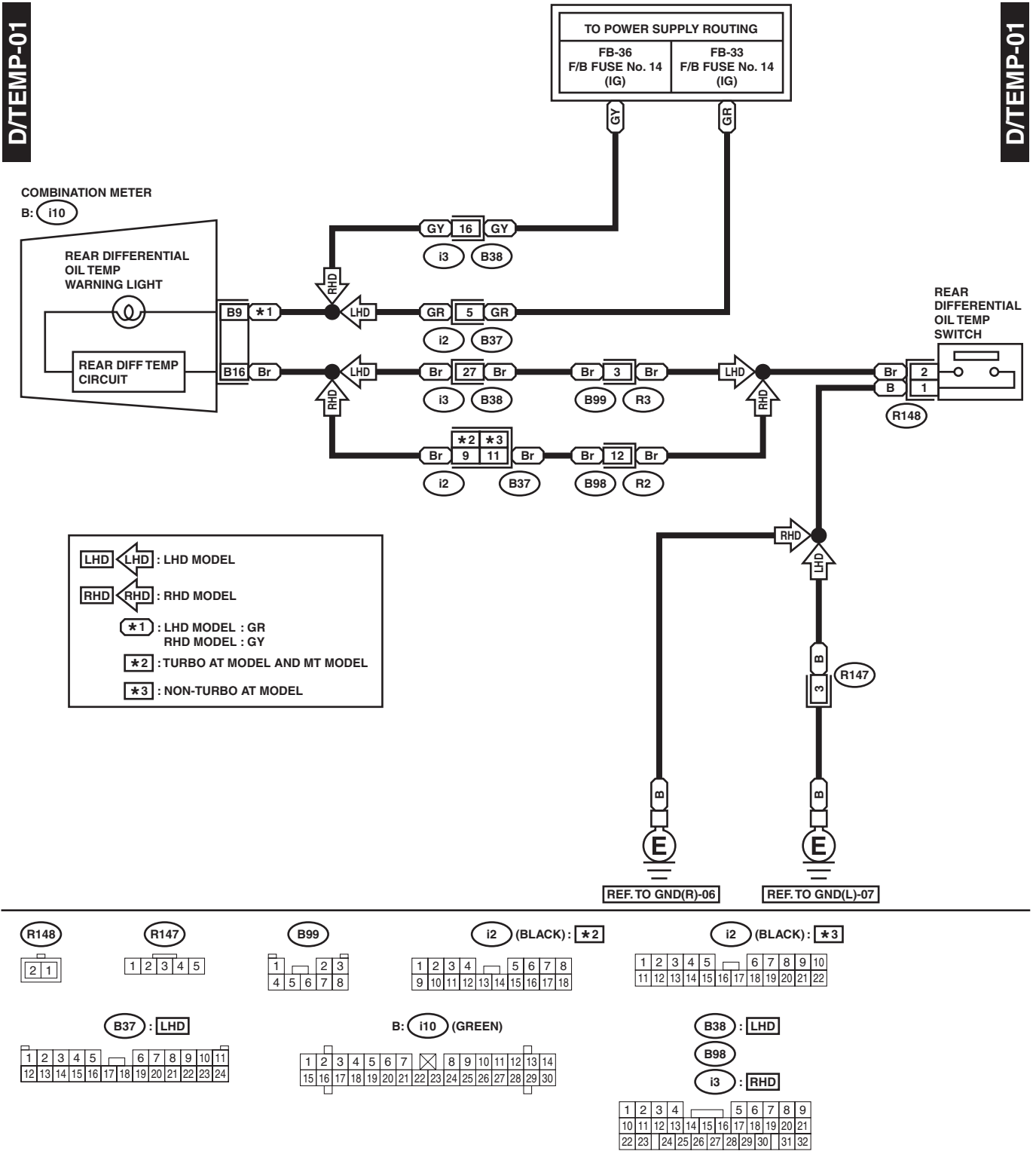
2. RHD MODEL



WI-03343

31.Rear Differential Oil Temperature Warning Light System

A: WIRING DIAGRAM



Outside Temperature Display System

WIRING SYSTEM

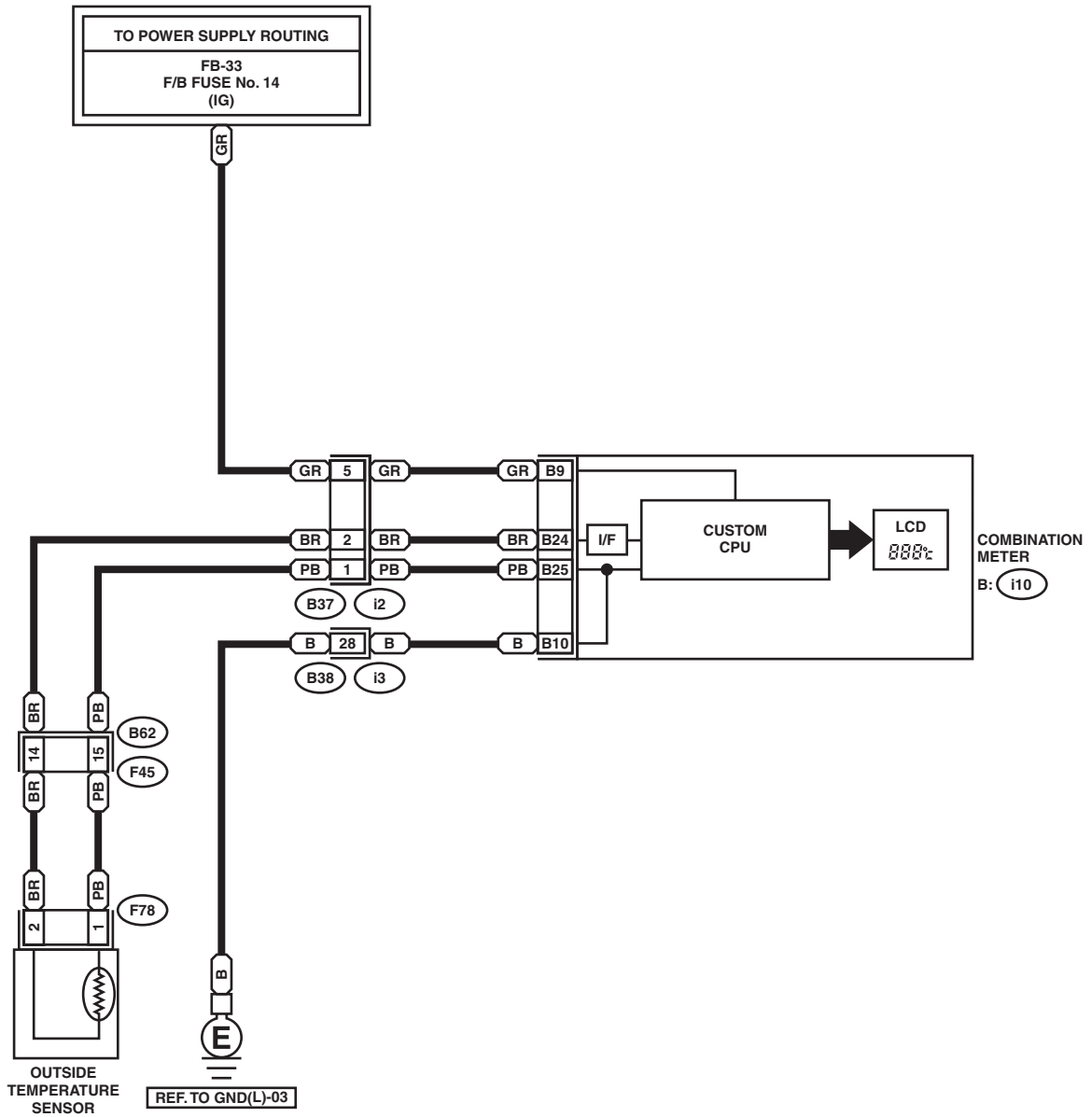
32. Outside Temperature Display System

A: WIRING DIAGRAM

1. LHD MODEL

O/T(L)-01

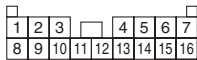
O/T(L)-01



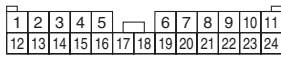
F78 (BLACK)



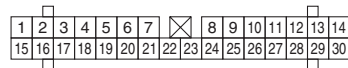
F45



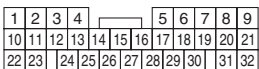
B37



B: i10 (GREEN)



B38



WI-00435

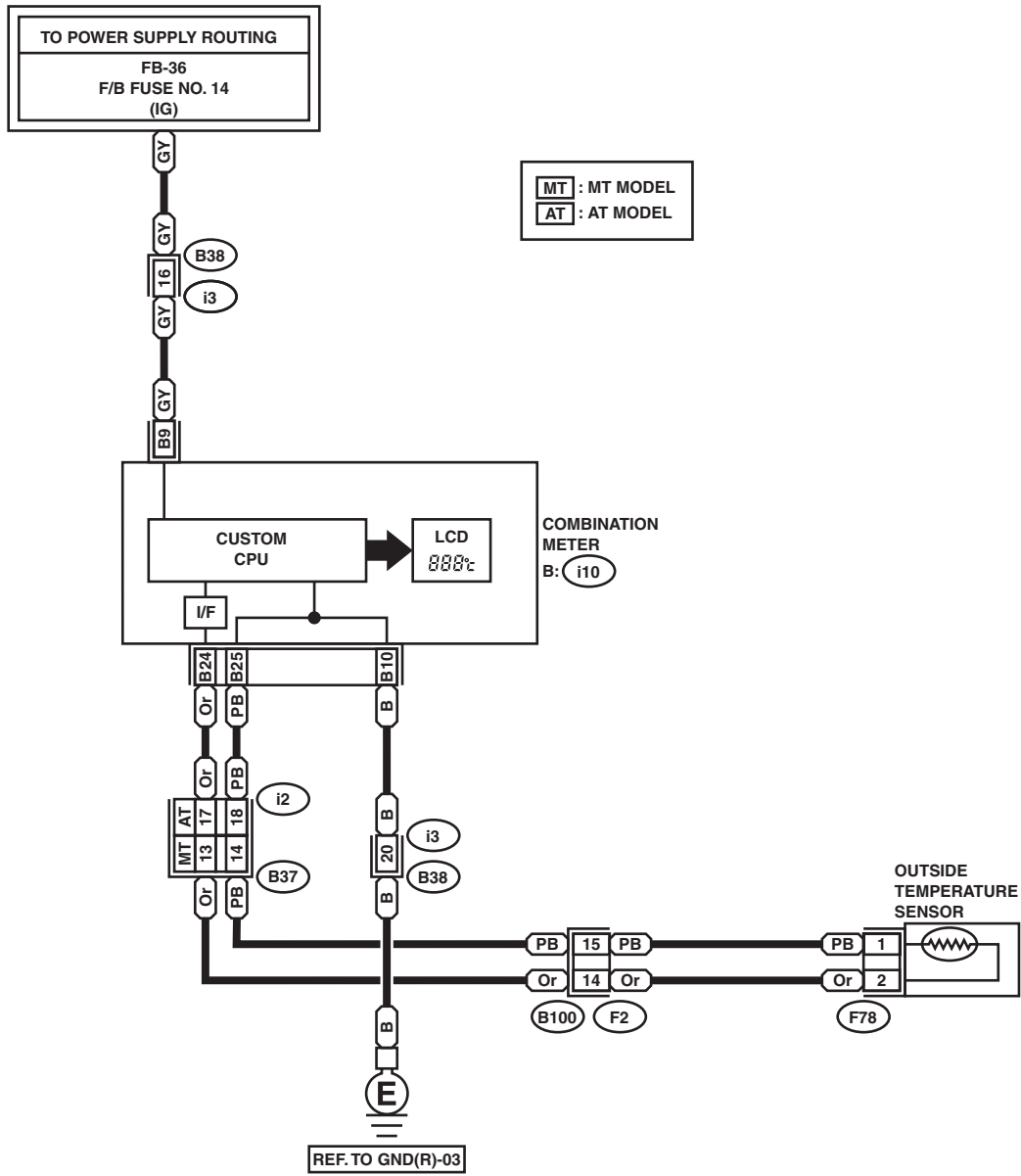
Outside Temperature Display System

WIRING SYSTEM

2. RHD MODEL

O/T(R)-01

O/T(R)-01



F78

i2 (BLACK) : MT

1	2	3	4	5	6	7	8		
9	10	11	12	13	14	15	16	17	18

F2 (BLUE)

i2 (BLACK) : AT

1	2	3	4	5	6	7	8	9	10		
11	12	13	14	15	16	17	18	19	20	21	22

B: i10 (GREEN)

1	2	3	4	5	6	7	8	9	10	11	12	13	14		
15	16	17	18	19	20	21	22	23	24	25	26	27	28	29	30

i3

1	2	3	4	5	6	7	8	9			
10	11	12	13	14	15	16	17	18	19	20	21
22	23	24	25	26	27	28	29	30	31	32	

WI-00436

Parking Brake and Brake Fluid Level Warning System

WIRING SYSTEM

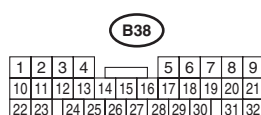
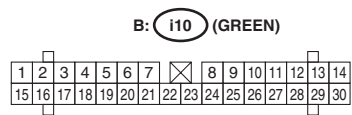
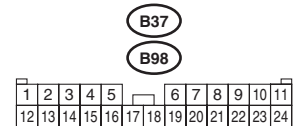
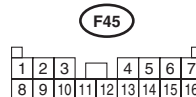
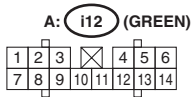
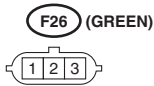
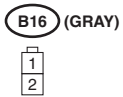
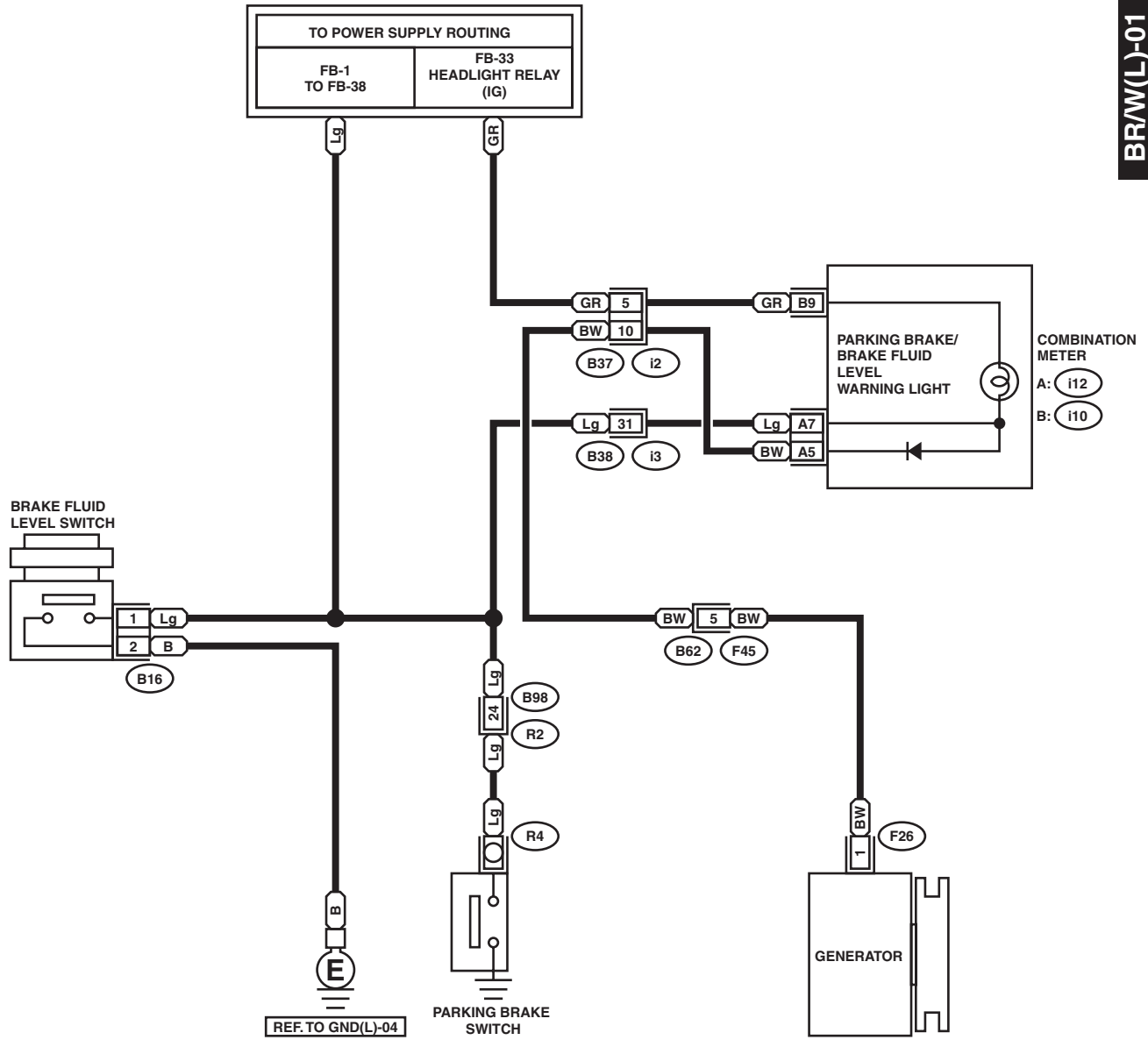
33. Parking Brake and Brake Fluid Level Warning System

A: WIRING DIAGRAM

1. LHD MODEL

BR/W(L)-01

BR/W(L)-01



WI-03344

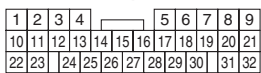
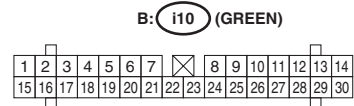
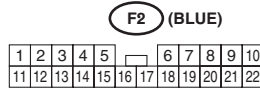
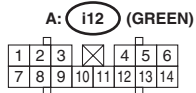
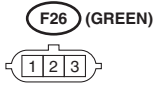
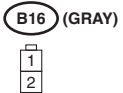
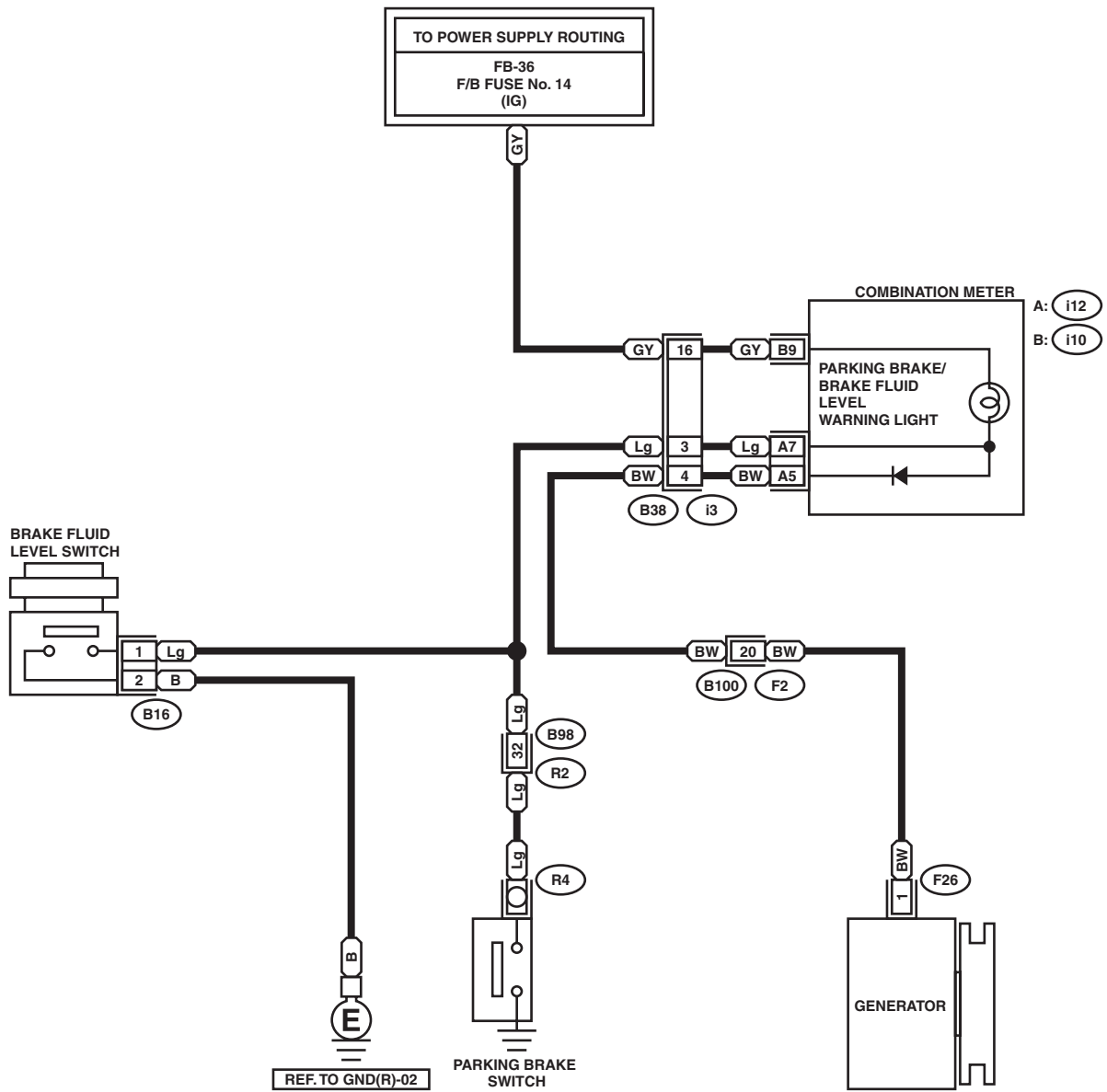
Parking Brake and Brake Fluid Level Warning System

WIRING SYSTEM

2. RHD MODEL

BR/W(R)-01

BR/W(R)-01



WI-00439

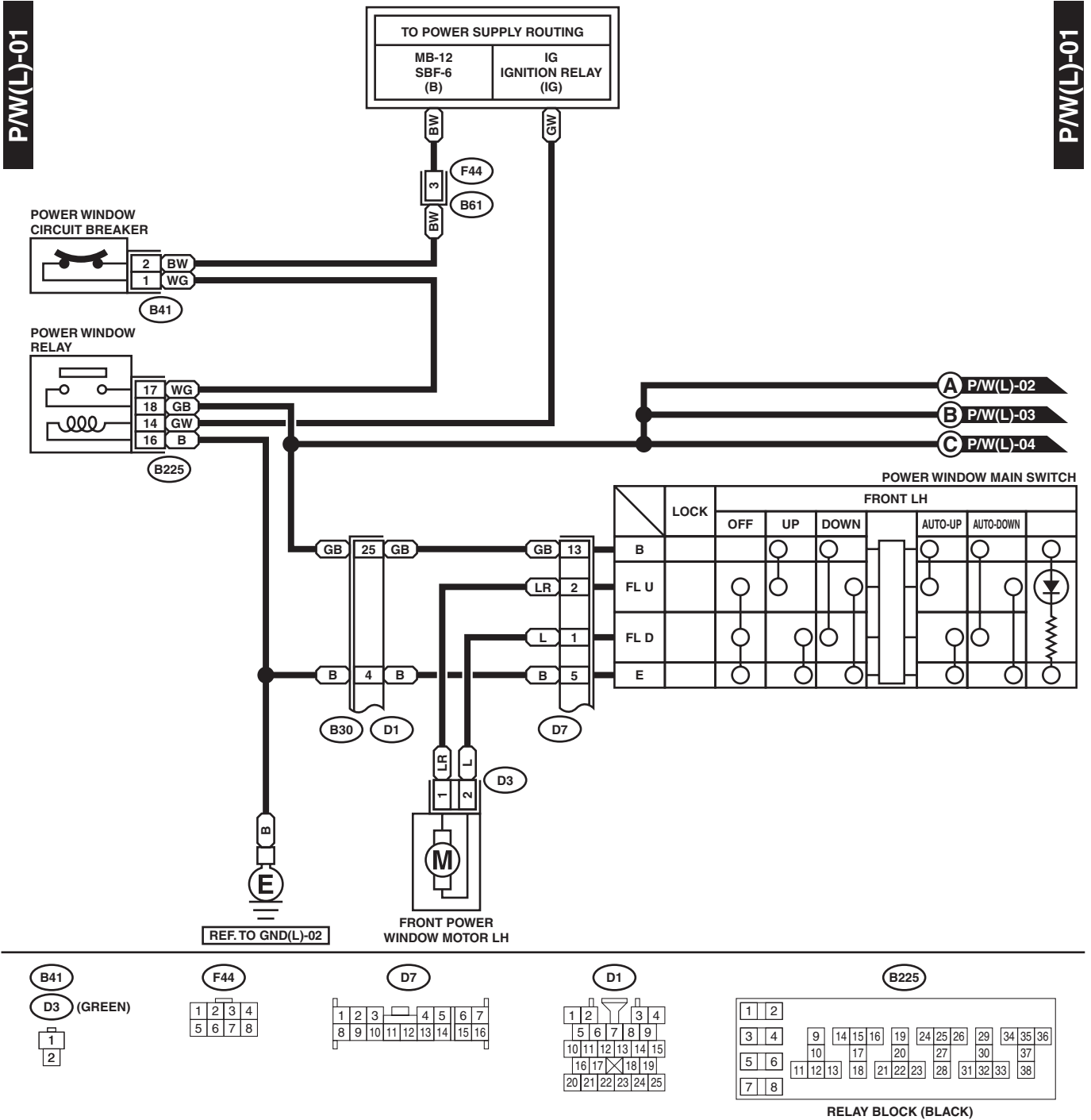
Power Window System

WIRING SYSTEM

34. Power Window System

A: WIRING DIAGRAM

1. LHD MODEL



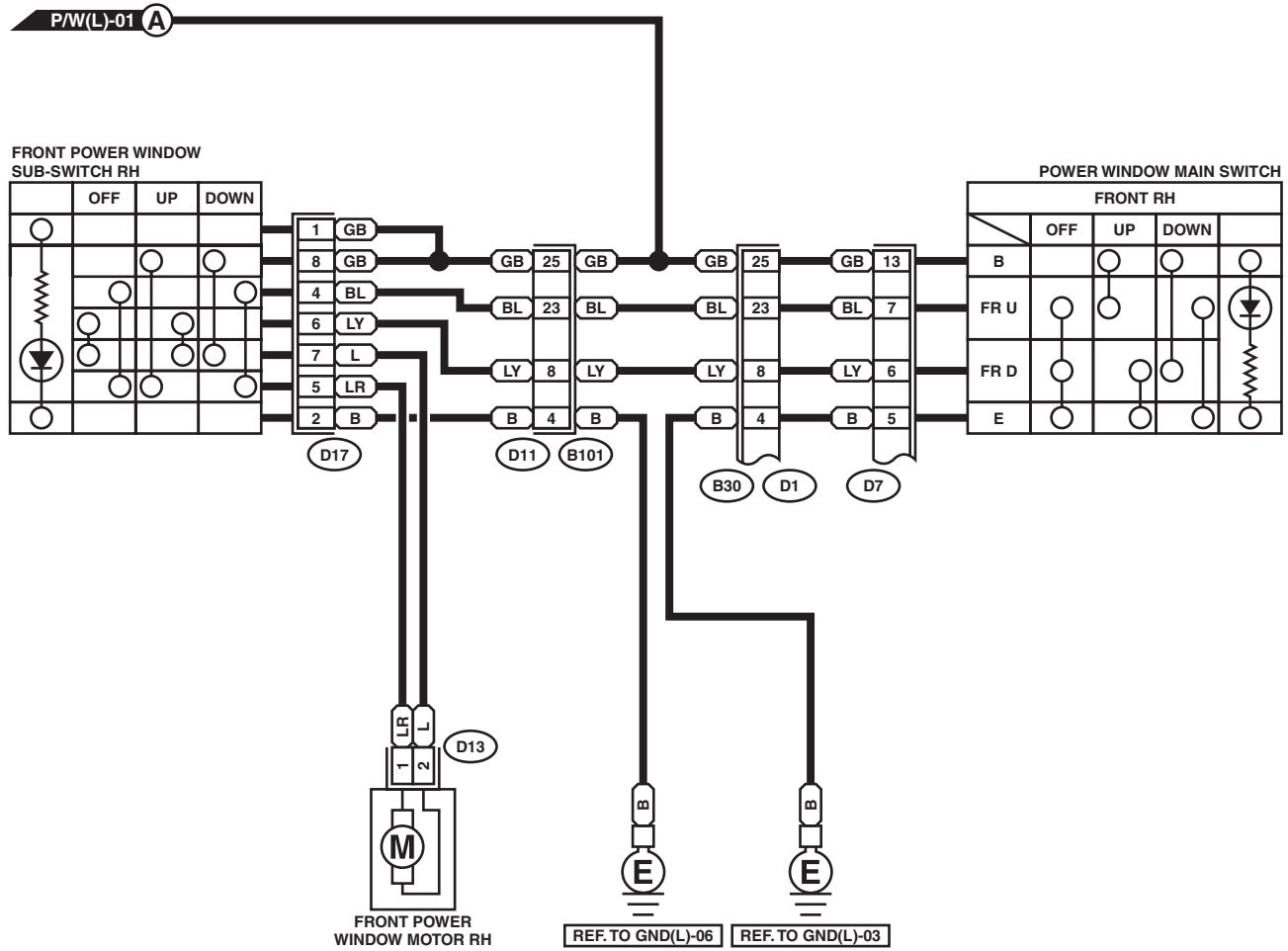
WI-03345

Power Window System

WIRING SYSTEM

P/W(L)-02

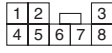
P/W(L)-02



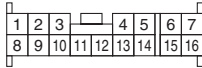
D13 (GREEN)



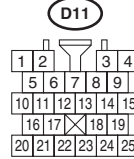
D17



D7



D1



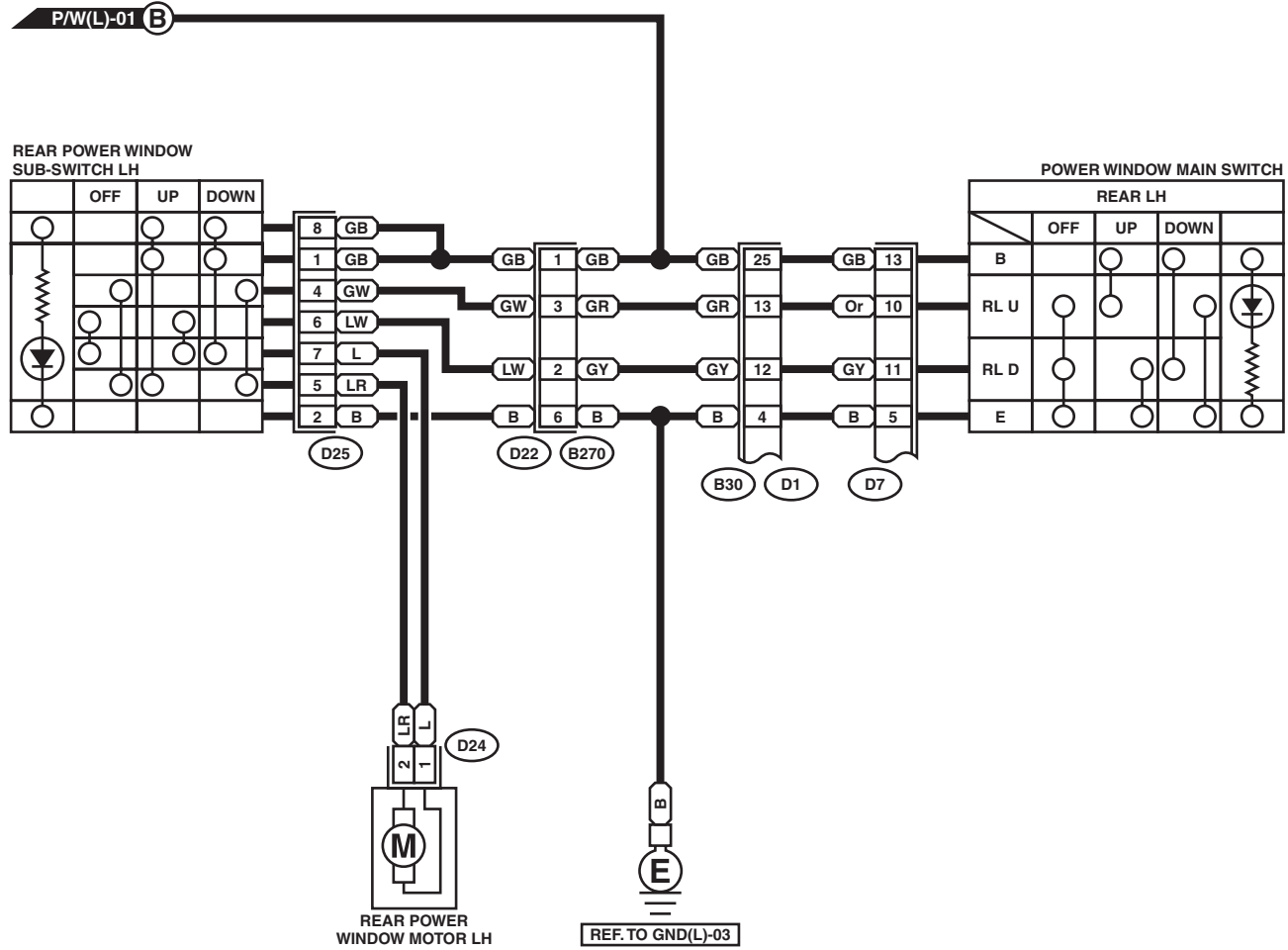
WI-03346

Power Window System

WIRING SYSTEM

P/W(L)-03

P/W(L)-03



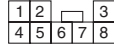
D24 (GREEN)



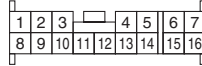
B270



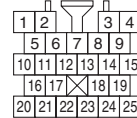
D25



D7



D1



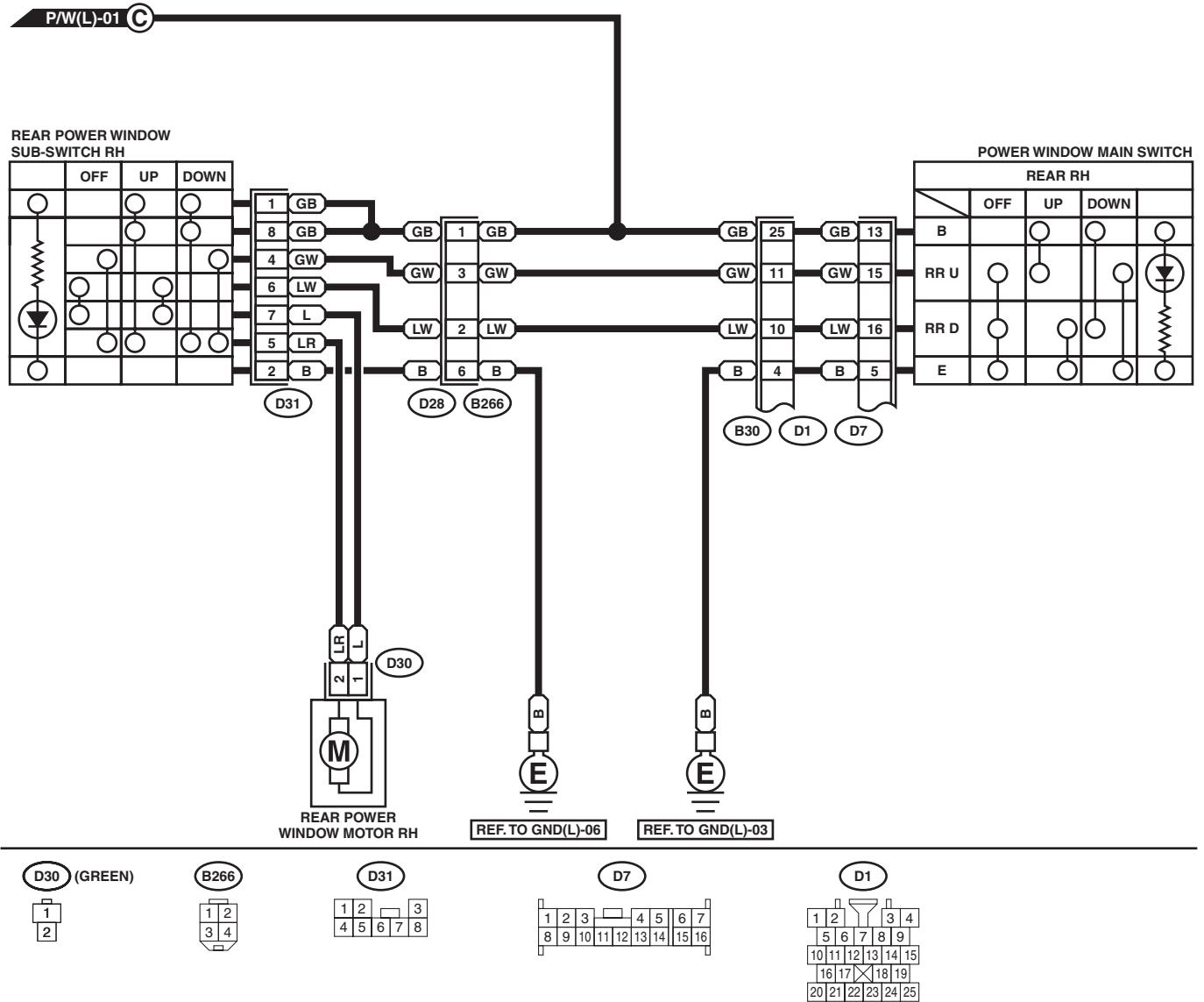
WI-03347

Power Window System

WIRING SYSTEM

P/W(L)-04

P/W(L)-04

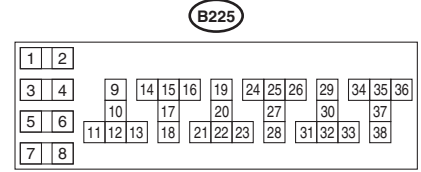
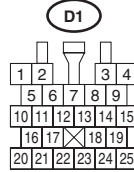
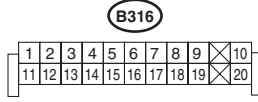
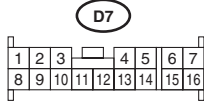
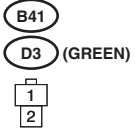
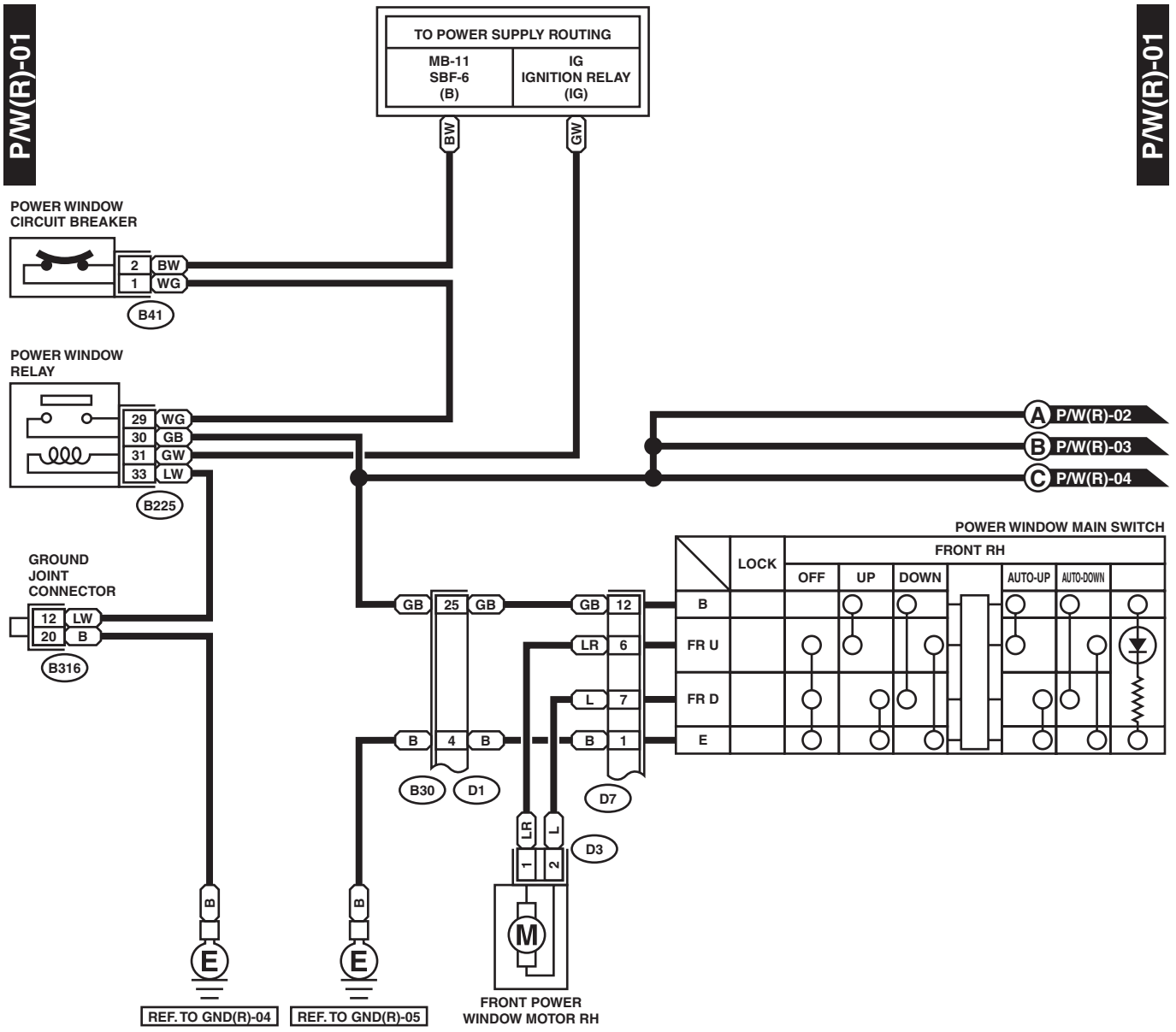


WI-03348

Power Window System

WIRING SYSTEM

2. RHD MODEL



RELAY BLOCK (BLACK)

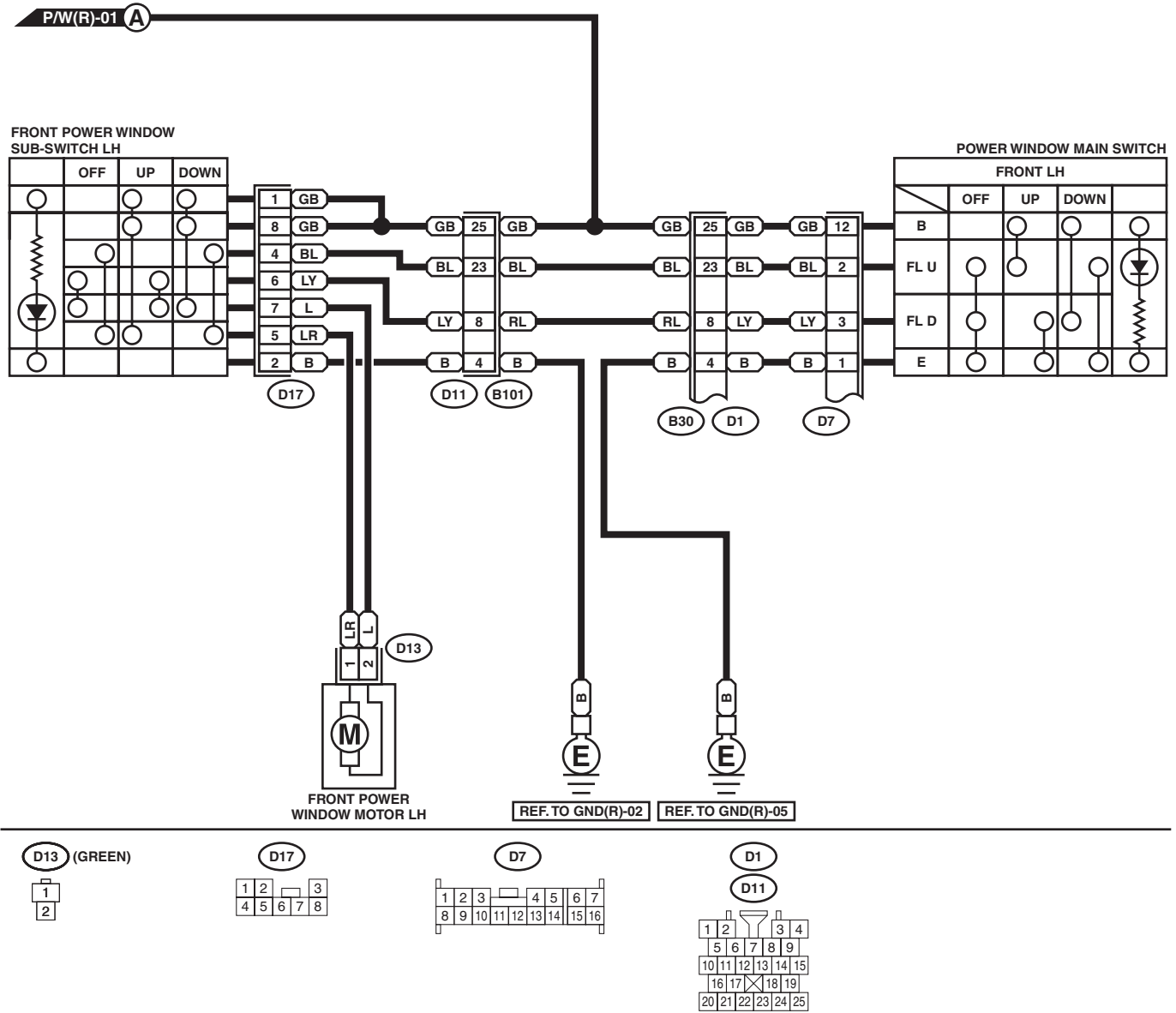
WI-00448

Power Window System

WIRING SYSTEM

P/W(R)-02

P/W(R)-02



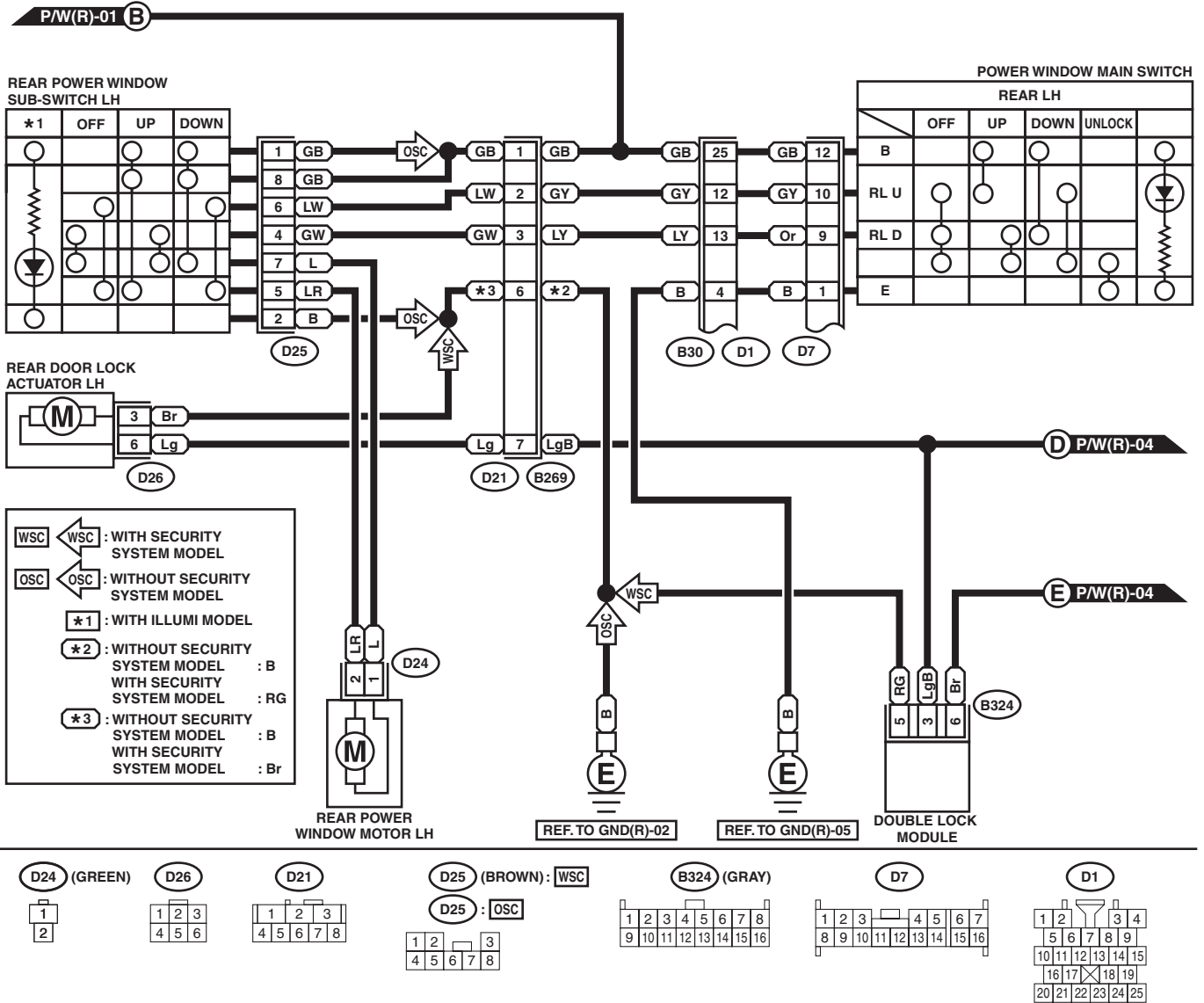
WI-03349

Power Window System

WIRING SYSTEM

P/W(R)-03

P/W(R)-03



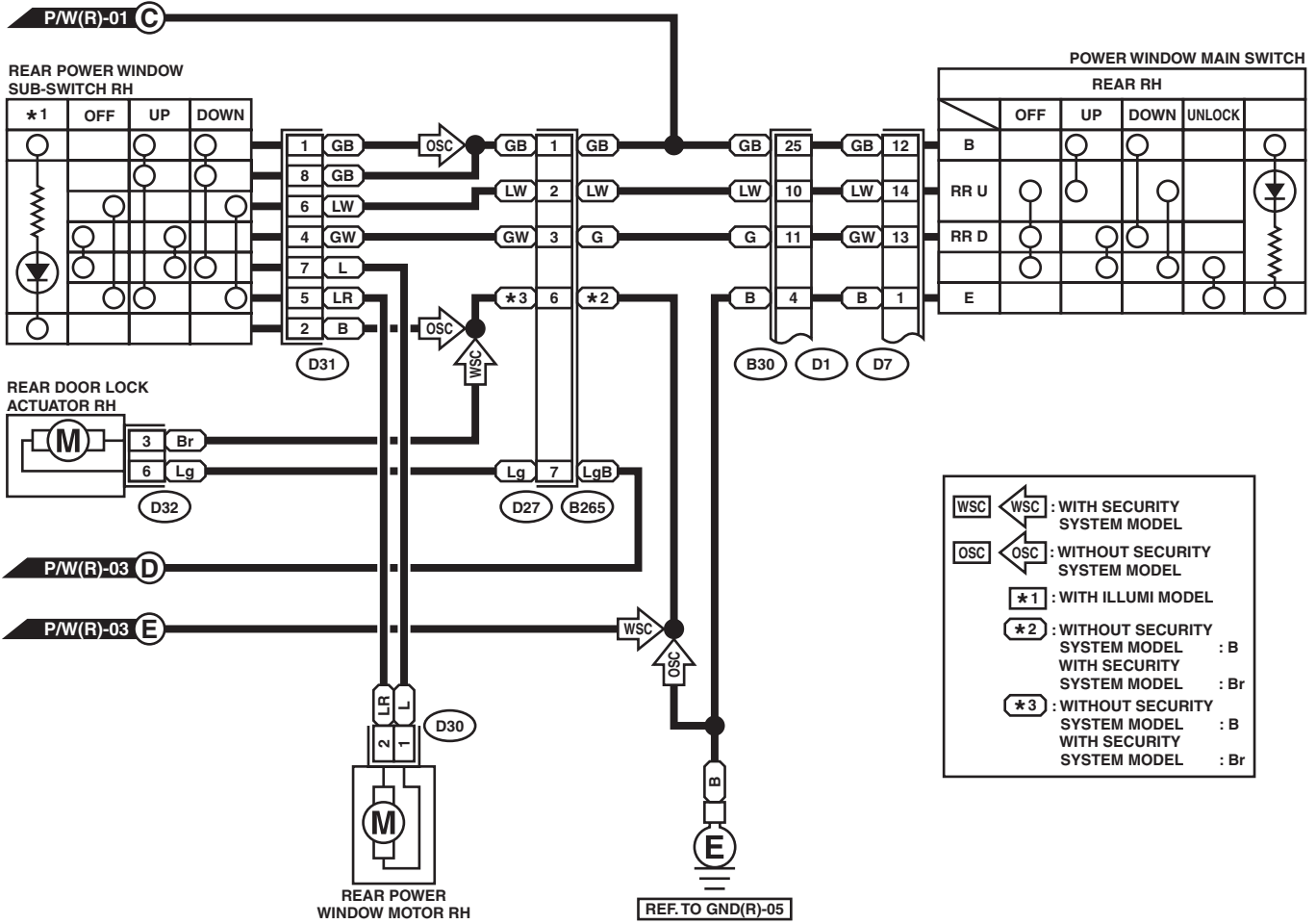
WI-03350

Power Window System

WIRING SYSTEM

P/W(R)-04

P/W(R)-04



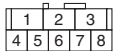
D30 (GREEN)



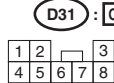
D32



D27

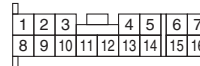


D31 (BROWN) : WSC

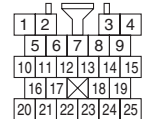


D31 : OSC

D7



D1



WI-03351

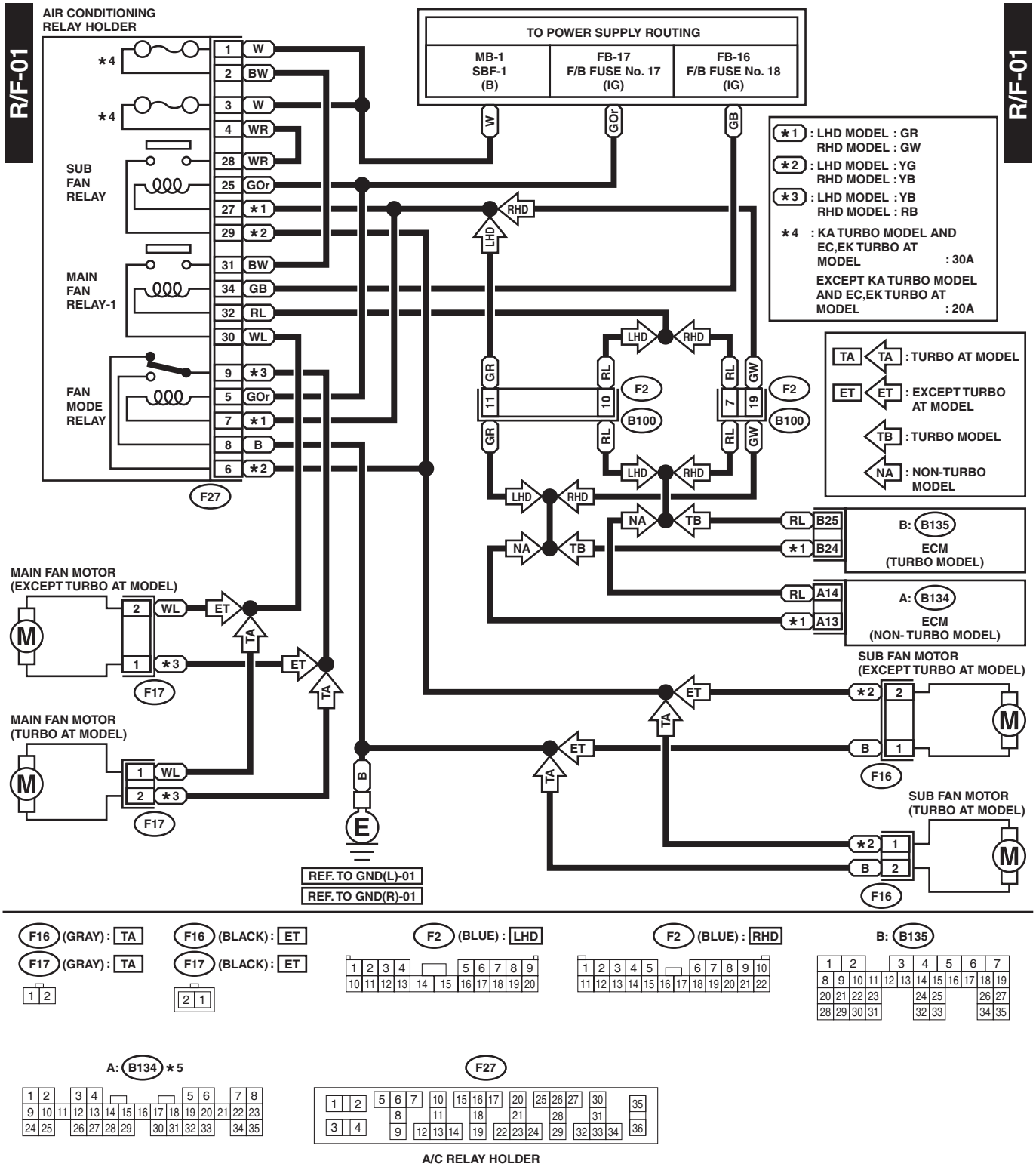
Radiator Fan System

WIRING SYSTEM

35. Radiator Fan System

A: WIRING DIAGRAM

1. NON-TURBO MODEL

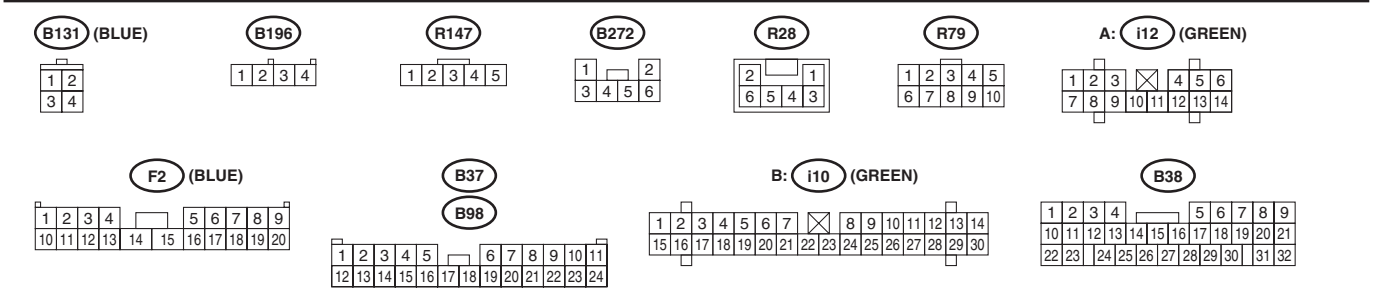
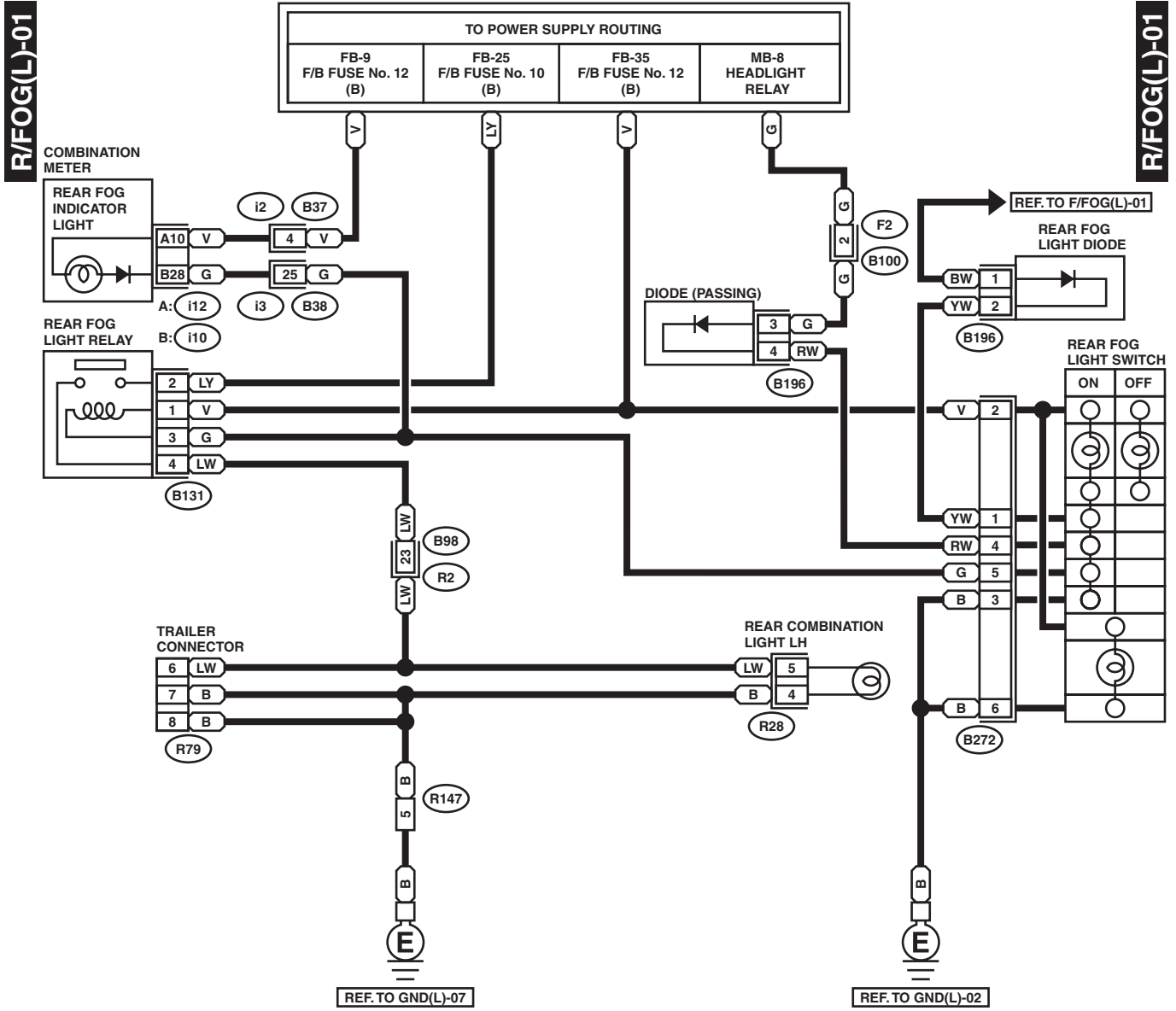


WI-03352

36.Rear Fog Light System

A: WIRING DIAGRAM

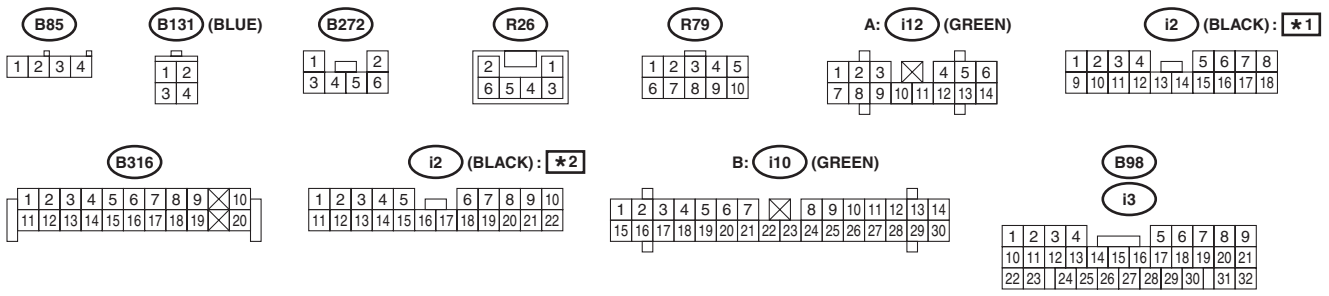
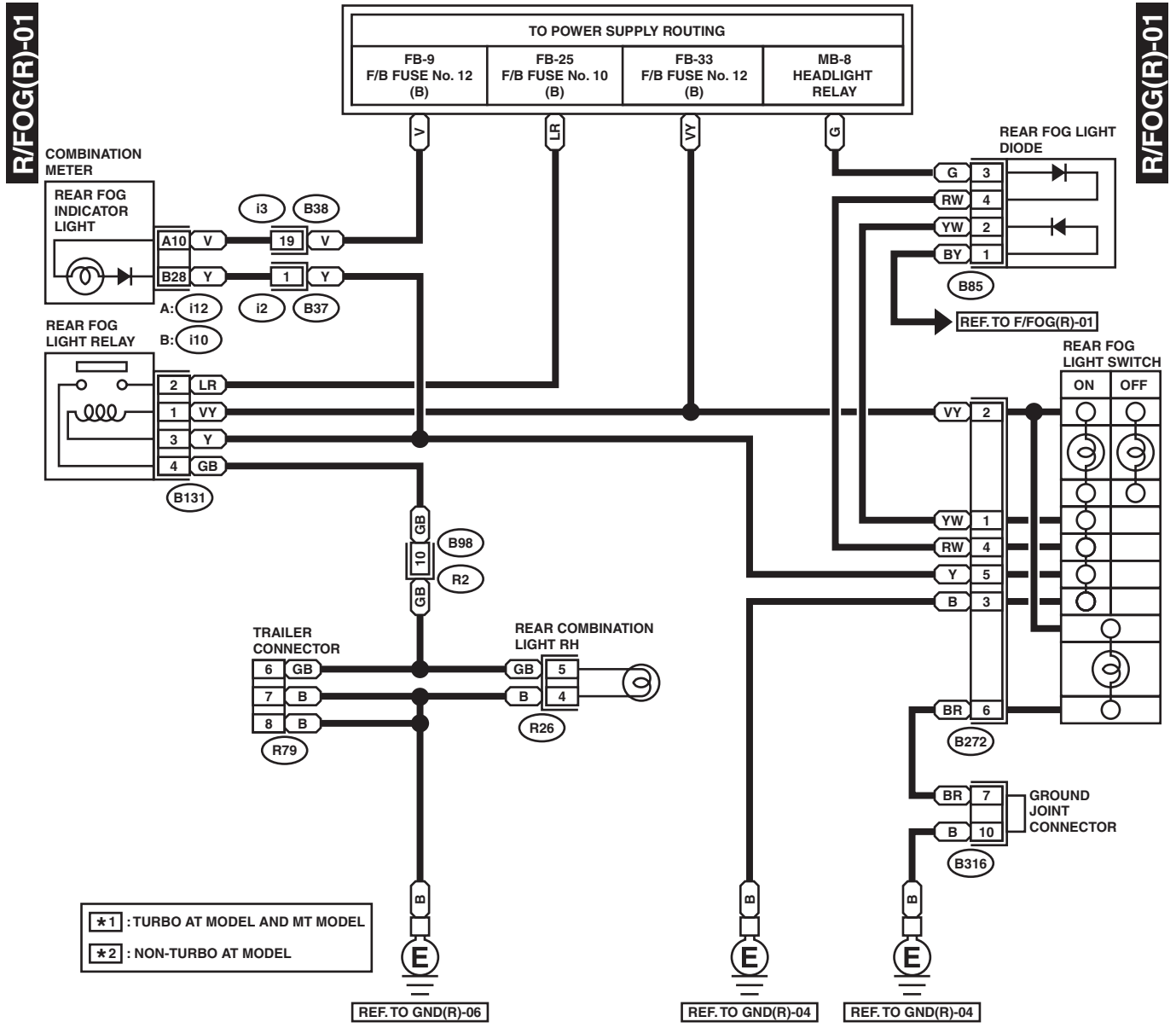
1. LHD MODEL



Rear Fog Light System

WIRING SYSTEM

2. RHD MODEL



WI-03356

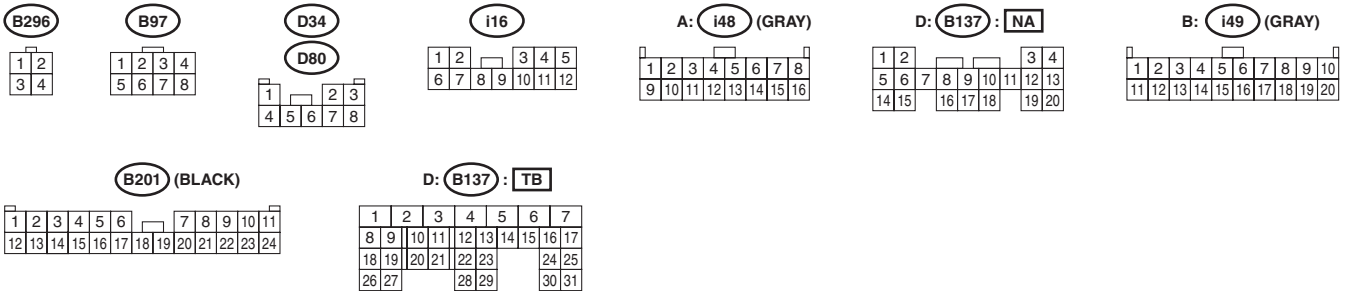
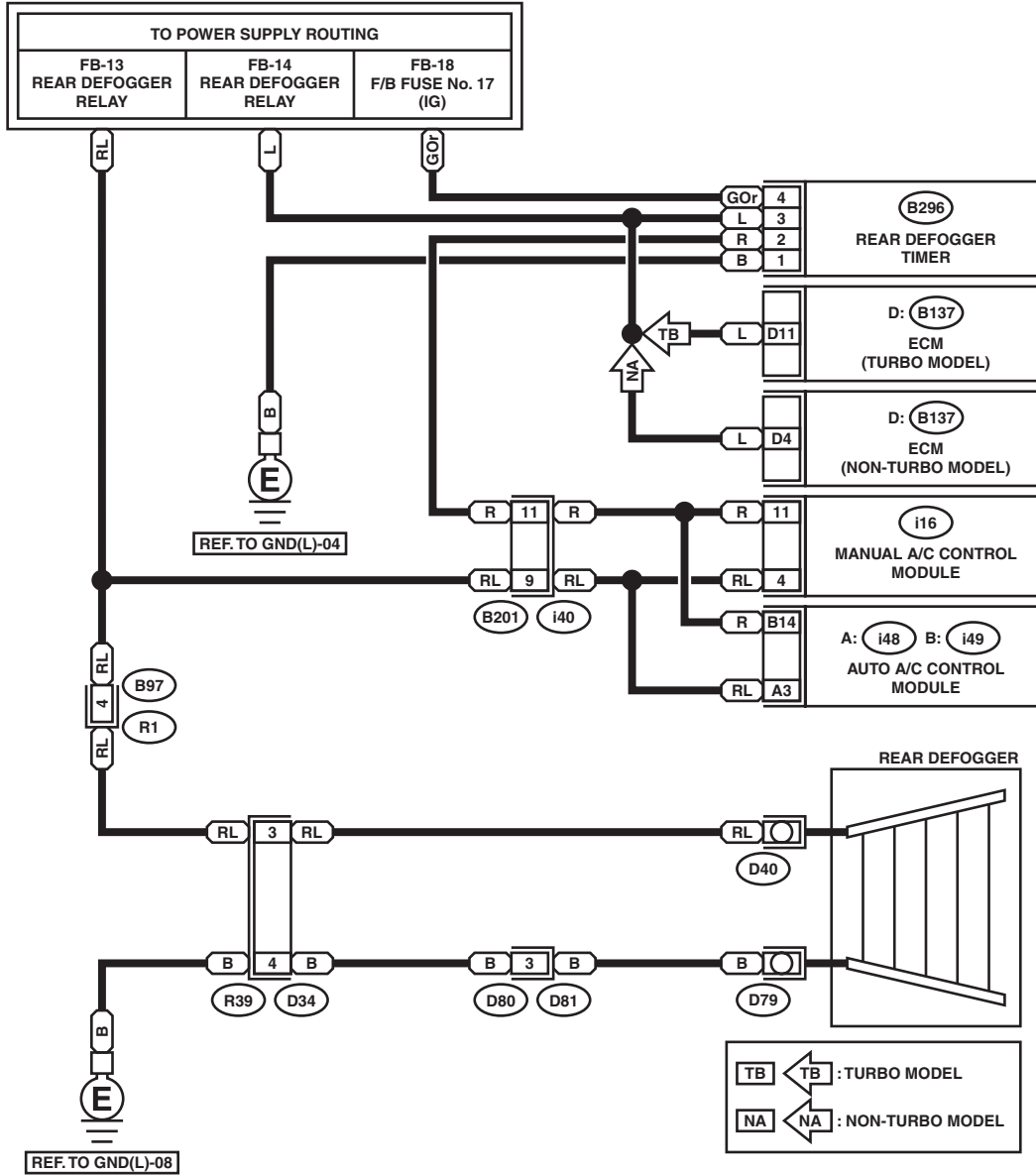
37.Rear Window Defogger System

A: WIRING DIAGRAM

1. LHD MODEL

R/DEF(L)-01

R/DEF(L)-01



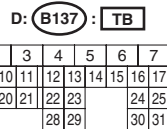
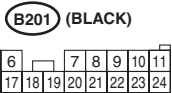
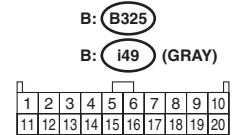
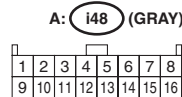
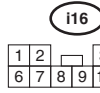
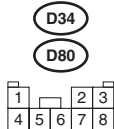
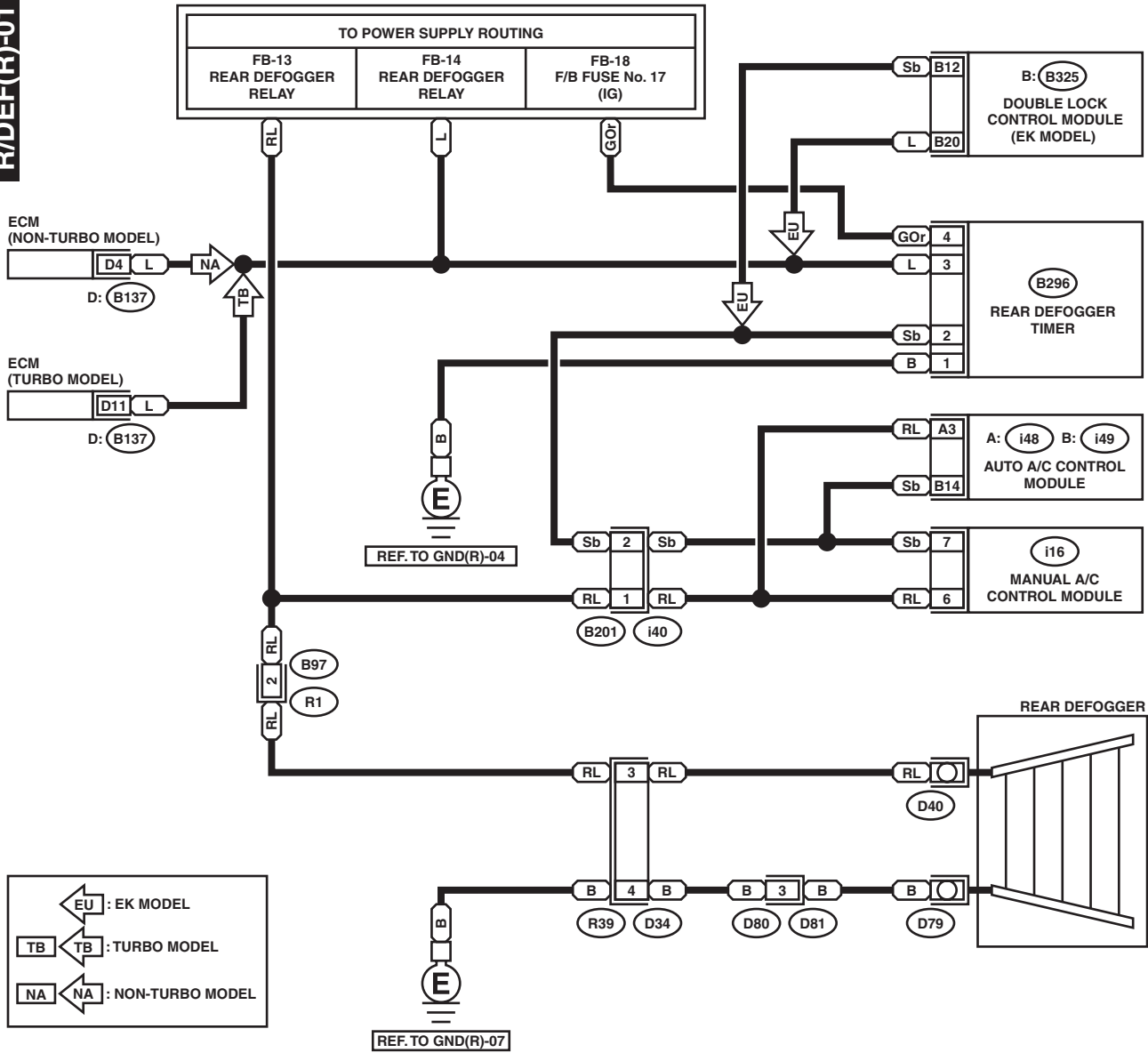
Rear Window Defogger System

WIRING SYSTEM

2. RHD MODEL

R/DEF(R)-01

R/DEF(R)-01

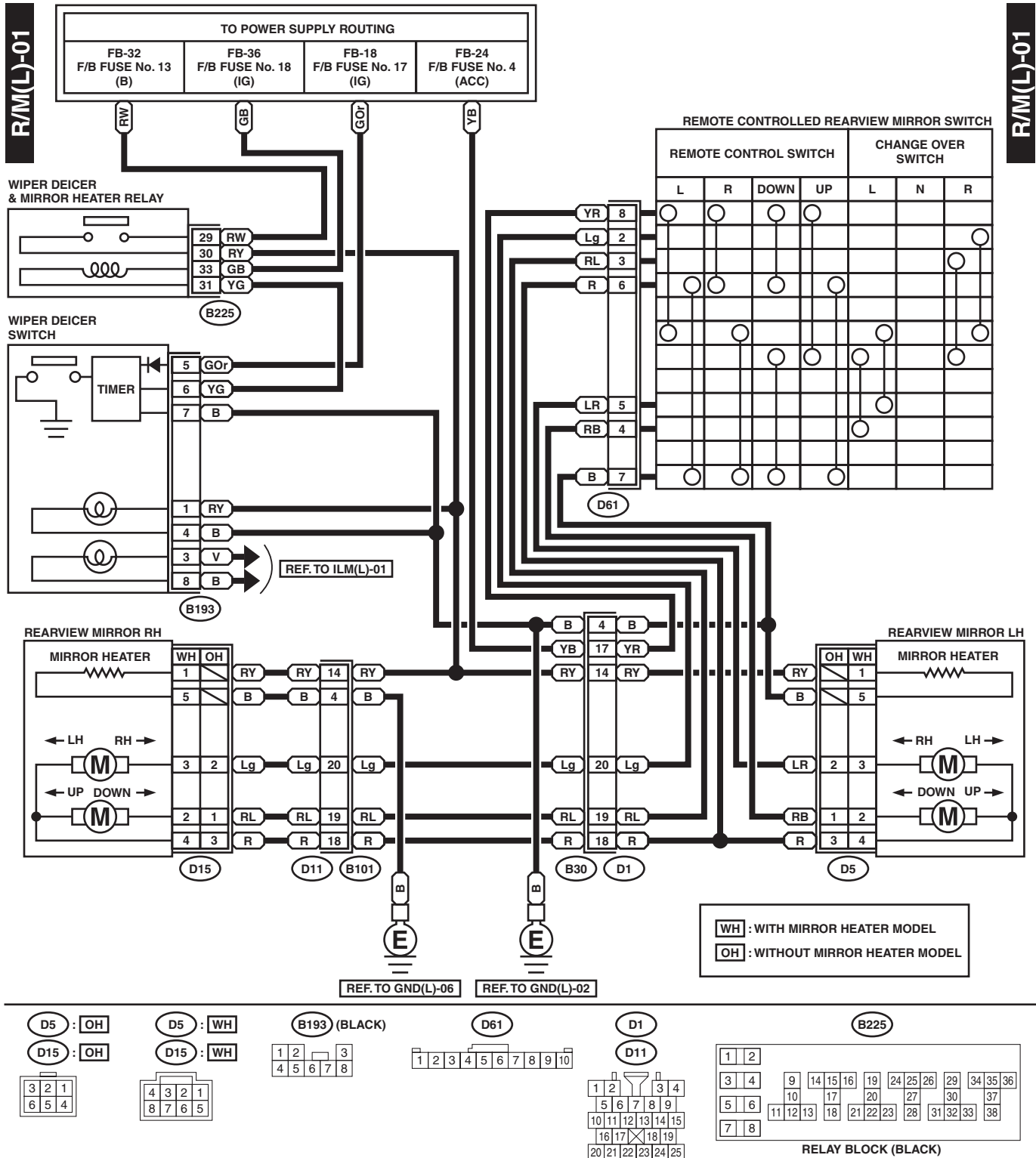


WI-03358

38. Remote Controlled Rearview Mirror System

A: WIRING DIAGRAM

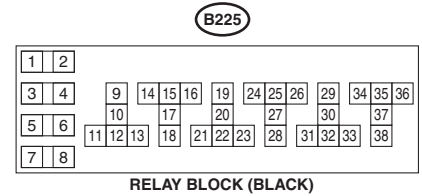
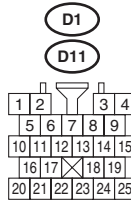
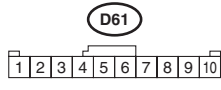
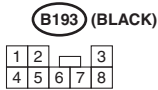
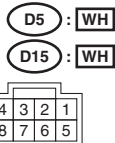
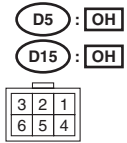
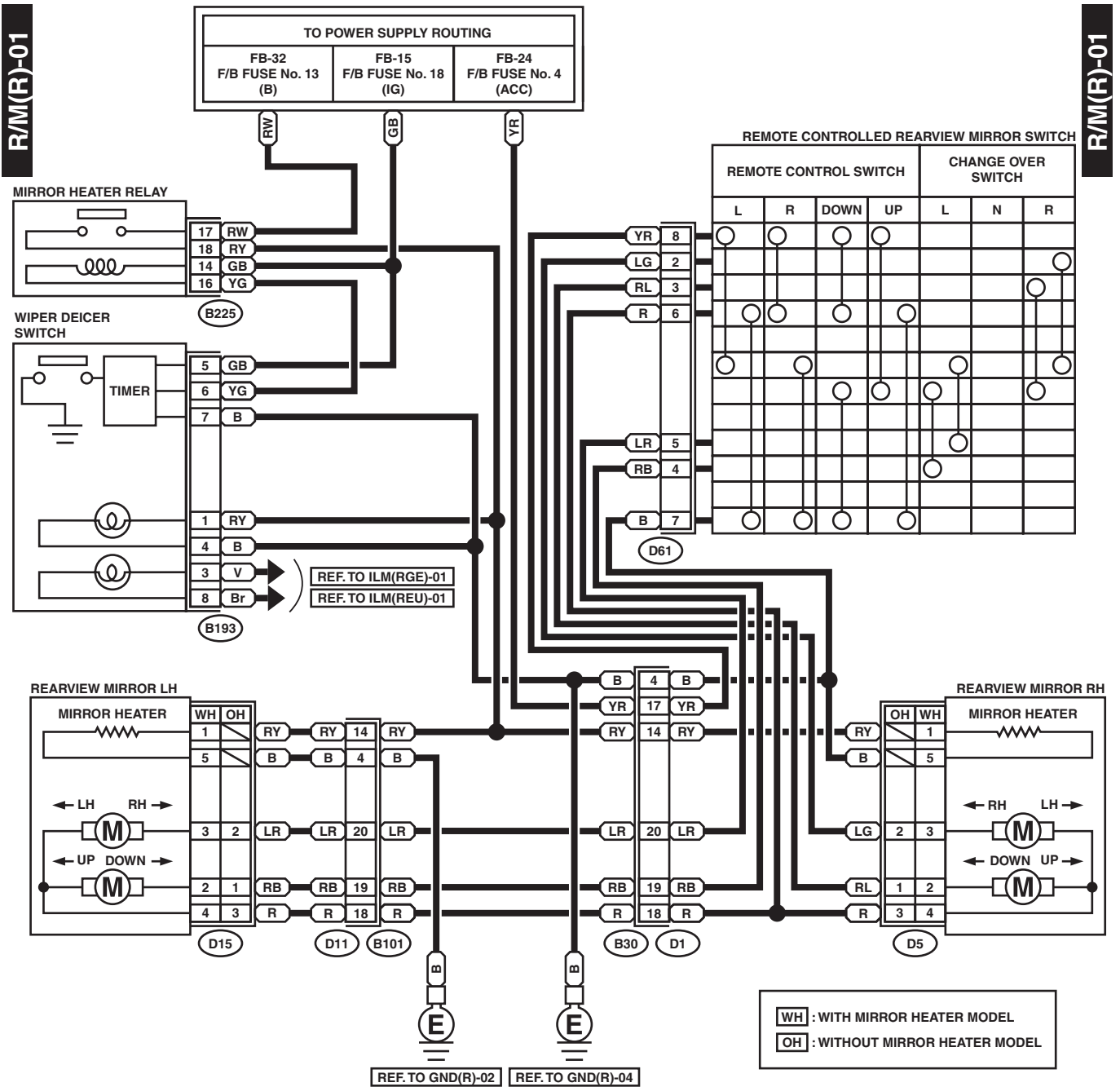
1. LHD MODEL



Remote Controlled Rearview Mirror System

WIRING SYSTEM

2. RHD MODEL

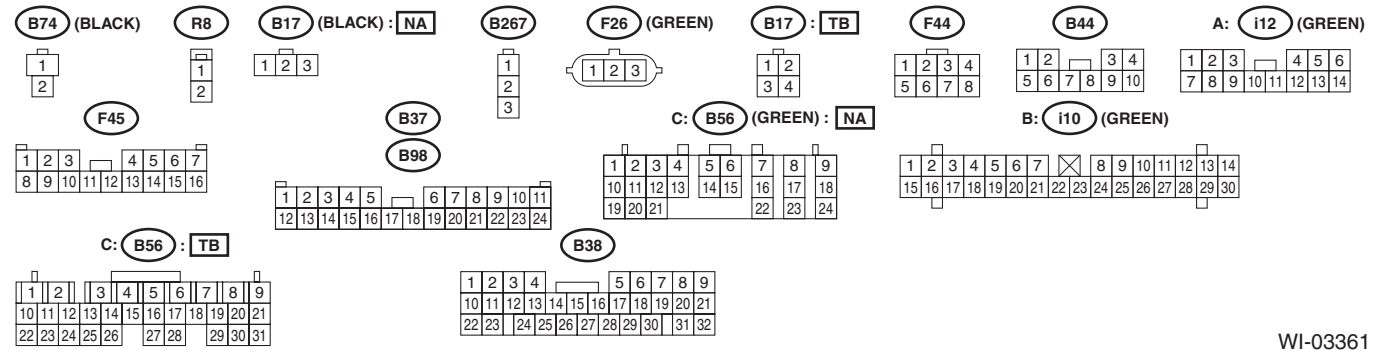
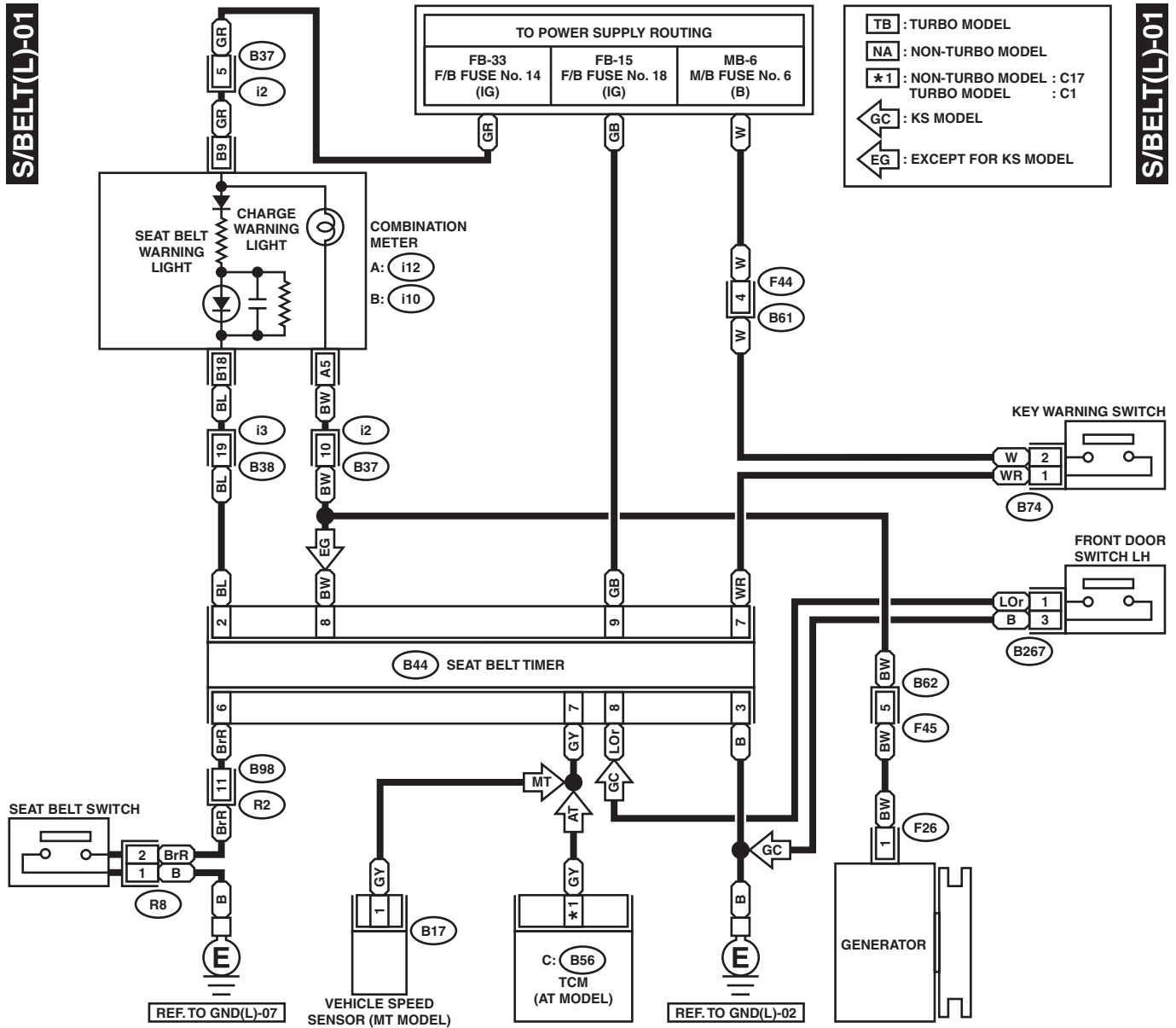


WI-03360

39. Seat Belt Warning System

A: WIRING DIAGRAM

1. LHD MODEL



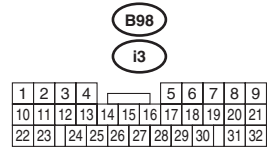
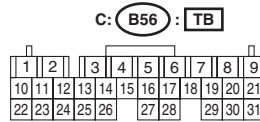
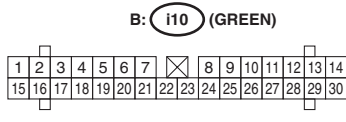
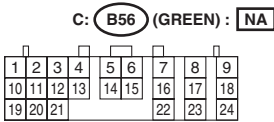
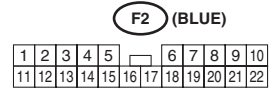
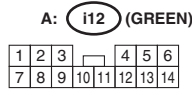
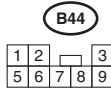
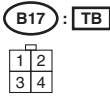
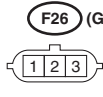
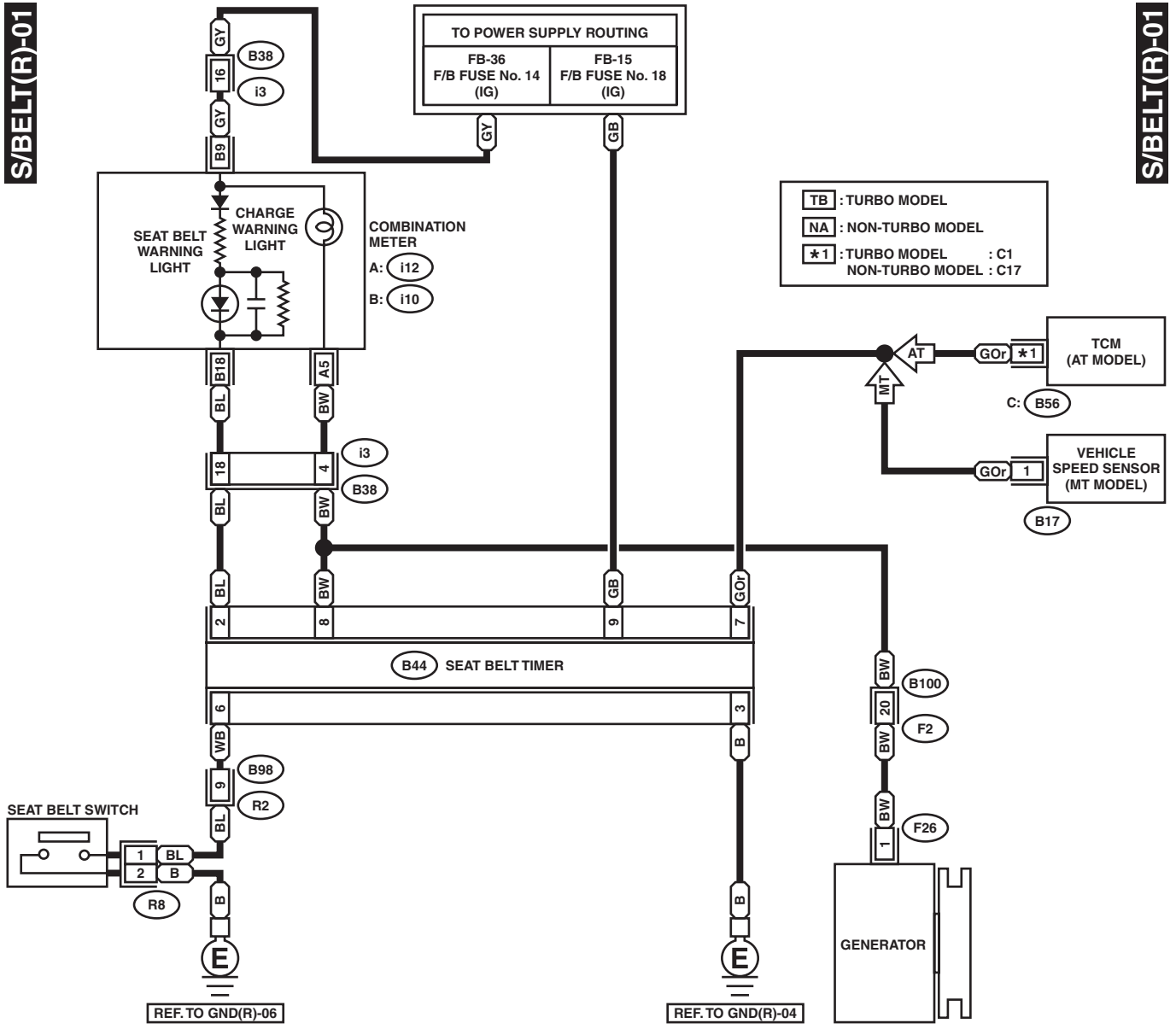
Seat Belt Warning System

WIRING SYSTEM

2. RHD MODEL

S/BELT(R)-01

S/BELT(R)-01

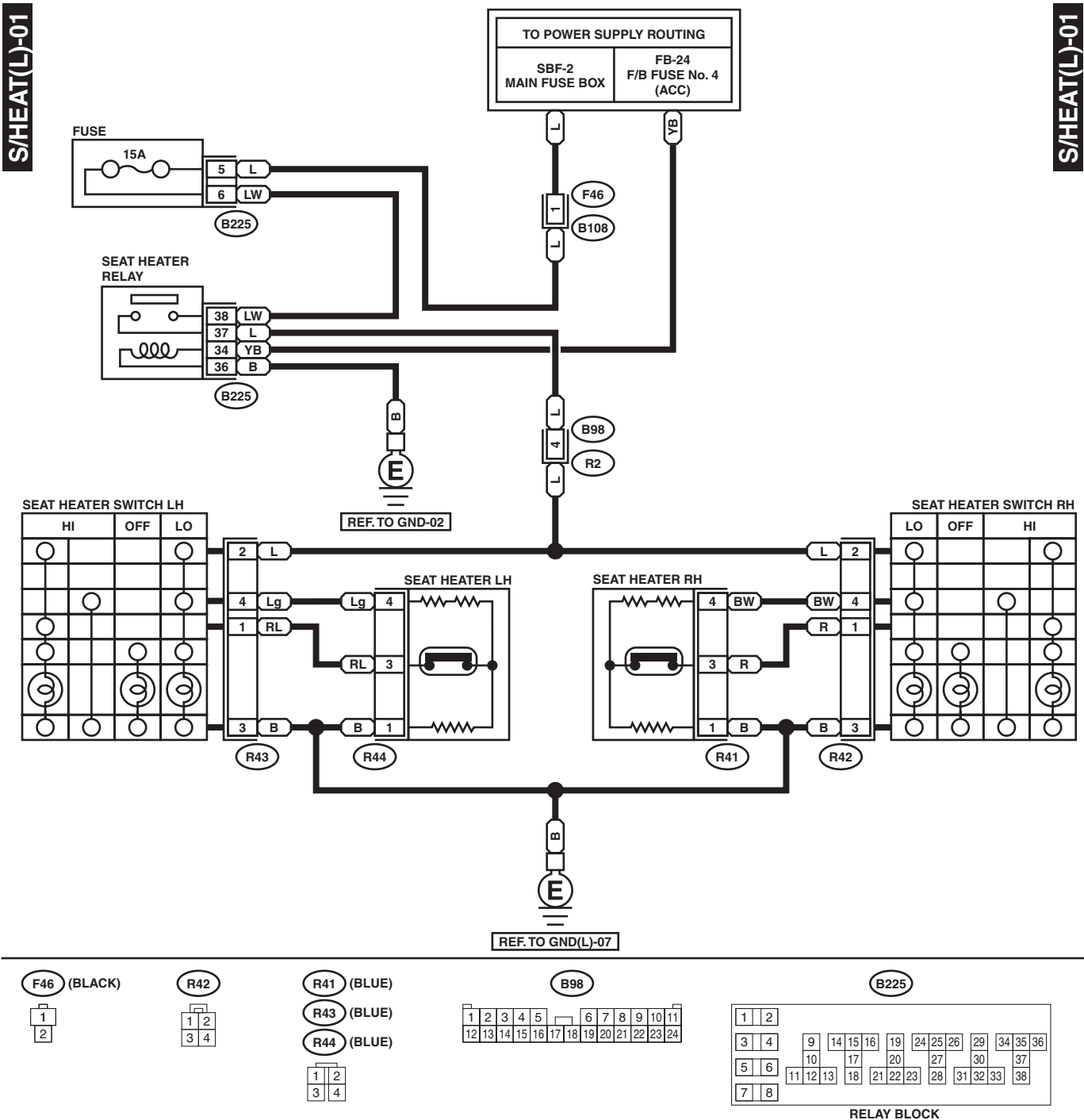


WI-03362

40. Seat Heater System

A: WIRING DIAGRAM

1. LHD MODEL



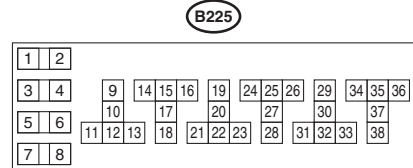
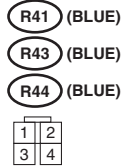
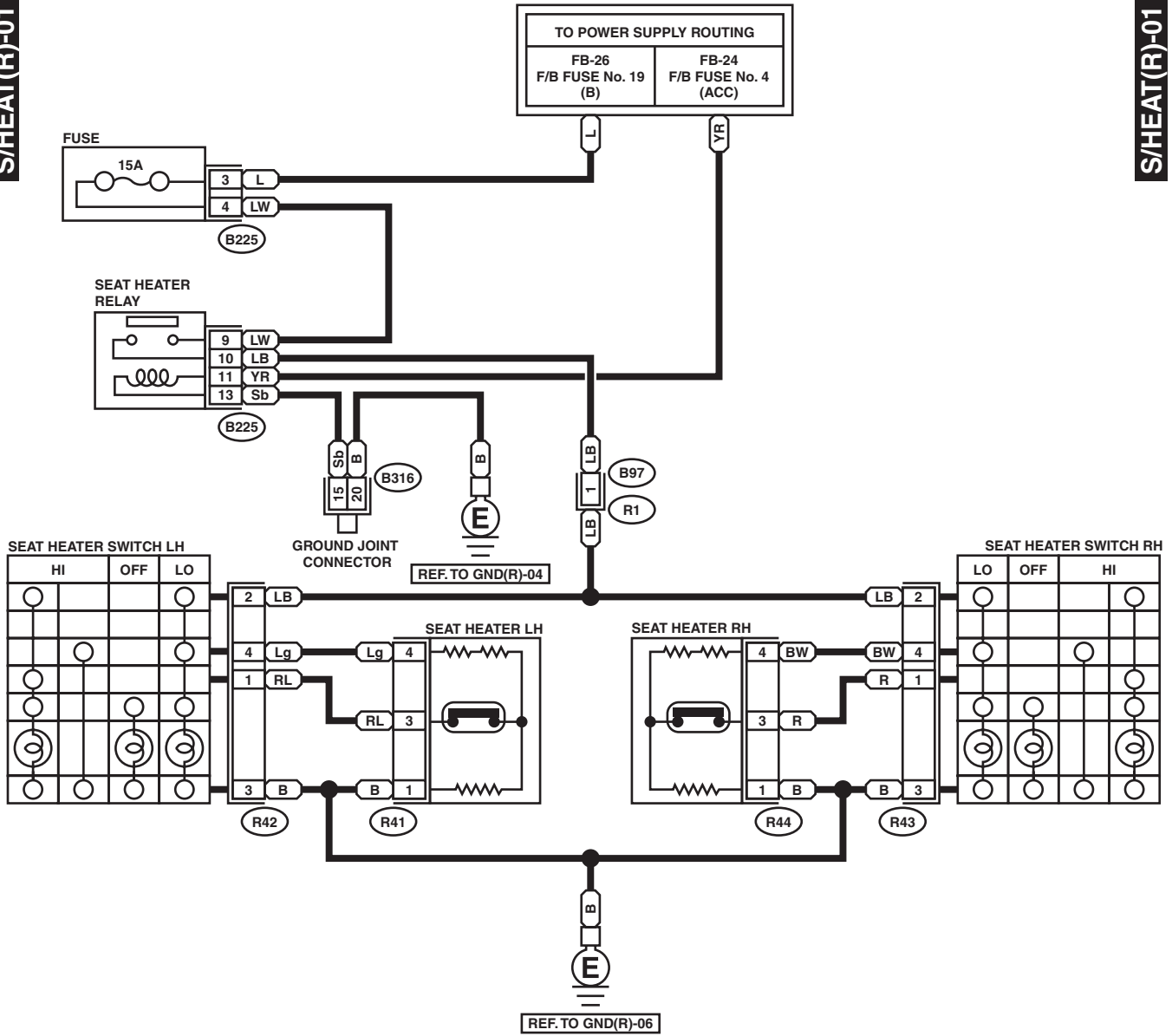
Seat Heater System

WIRING SYSTEM

2. RHD MODEL

S/HEAT(R)-01

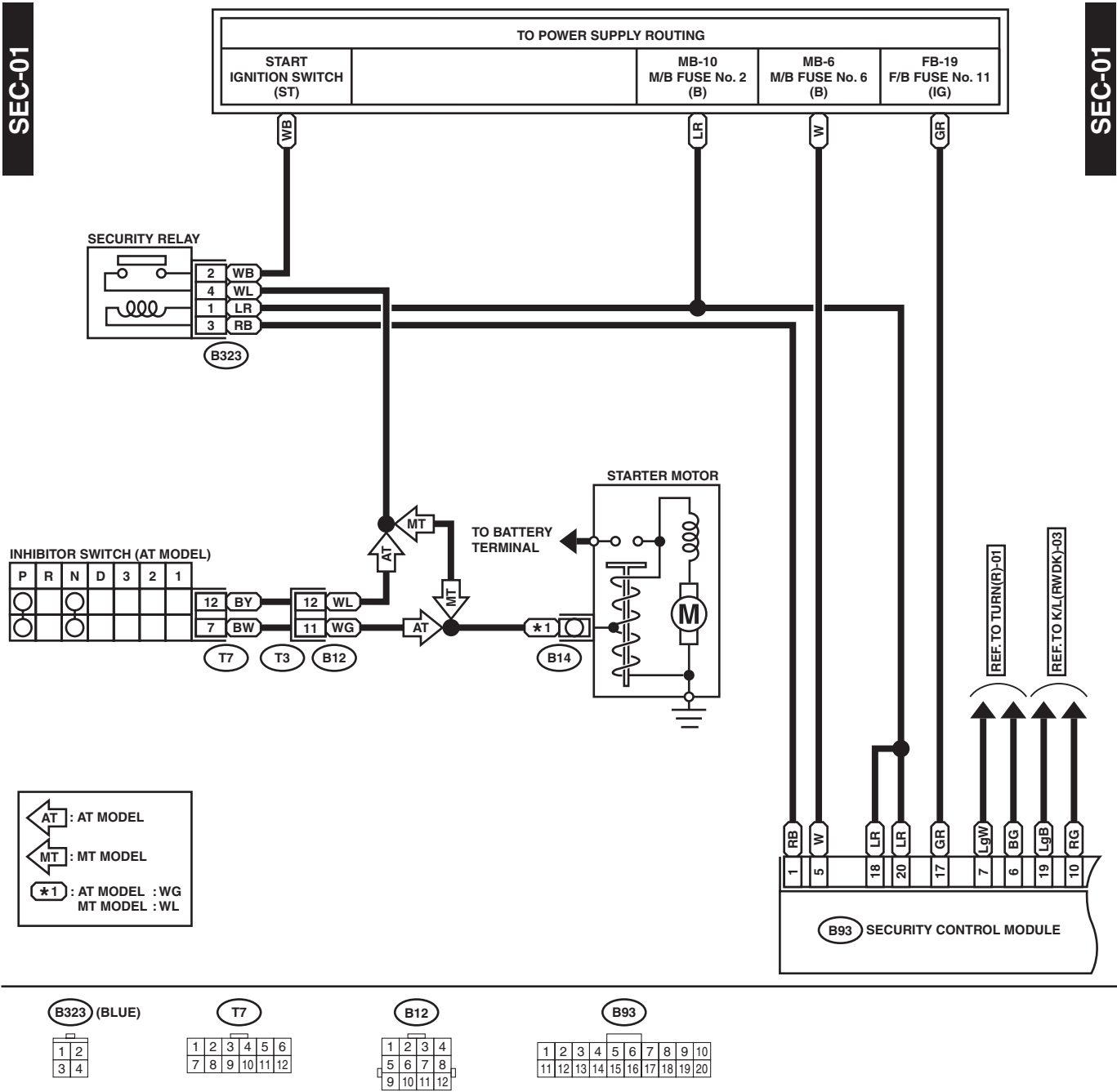
S/HEAT(R)-01



WI-03364

41. Security System

A: WIRING DIAGRAM

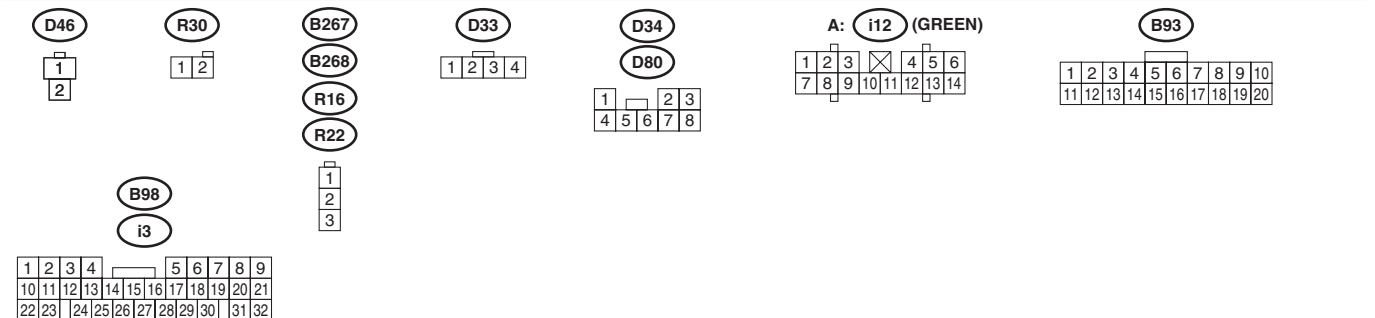
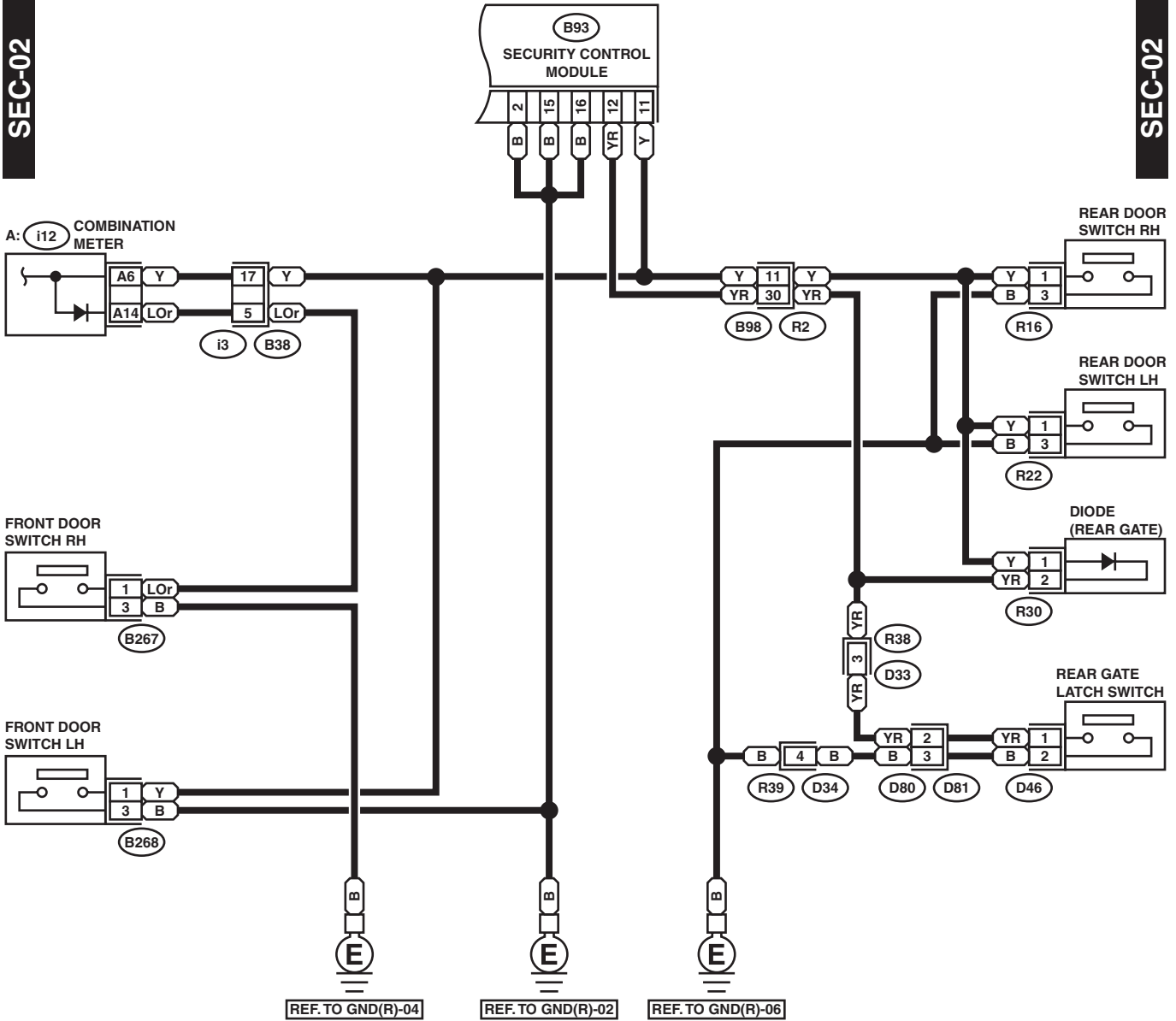


Security System

WIRING SYSTEM

SEC-02

SEC-02

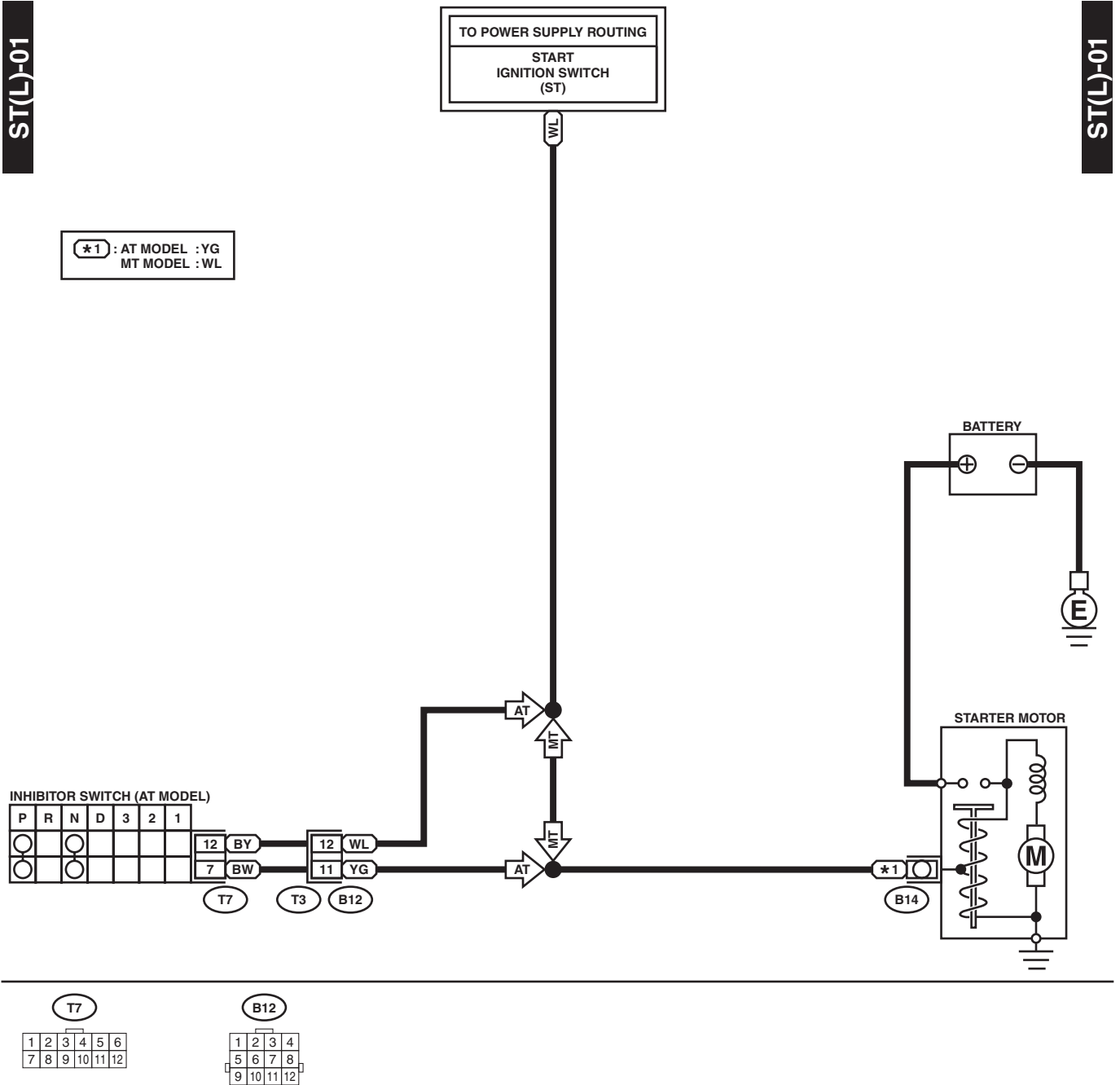


WI-00471

42.Starter System

A: WIRING DIAGRAM

1. LHD MODEL



Starter System

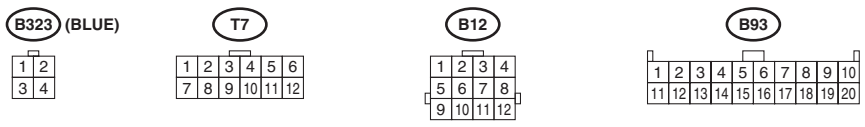
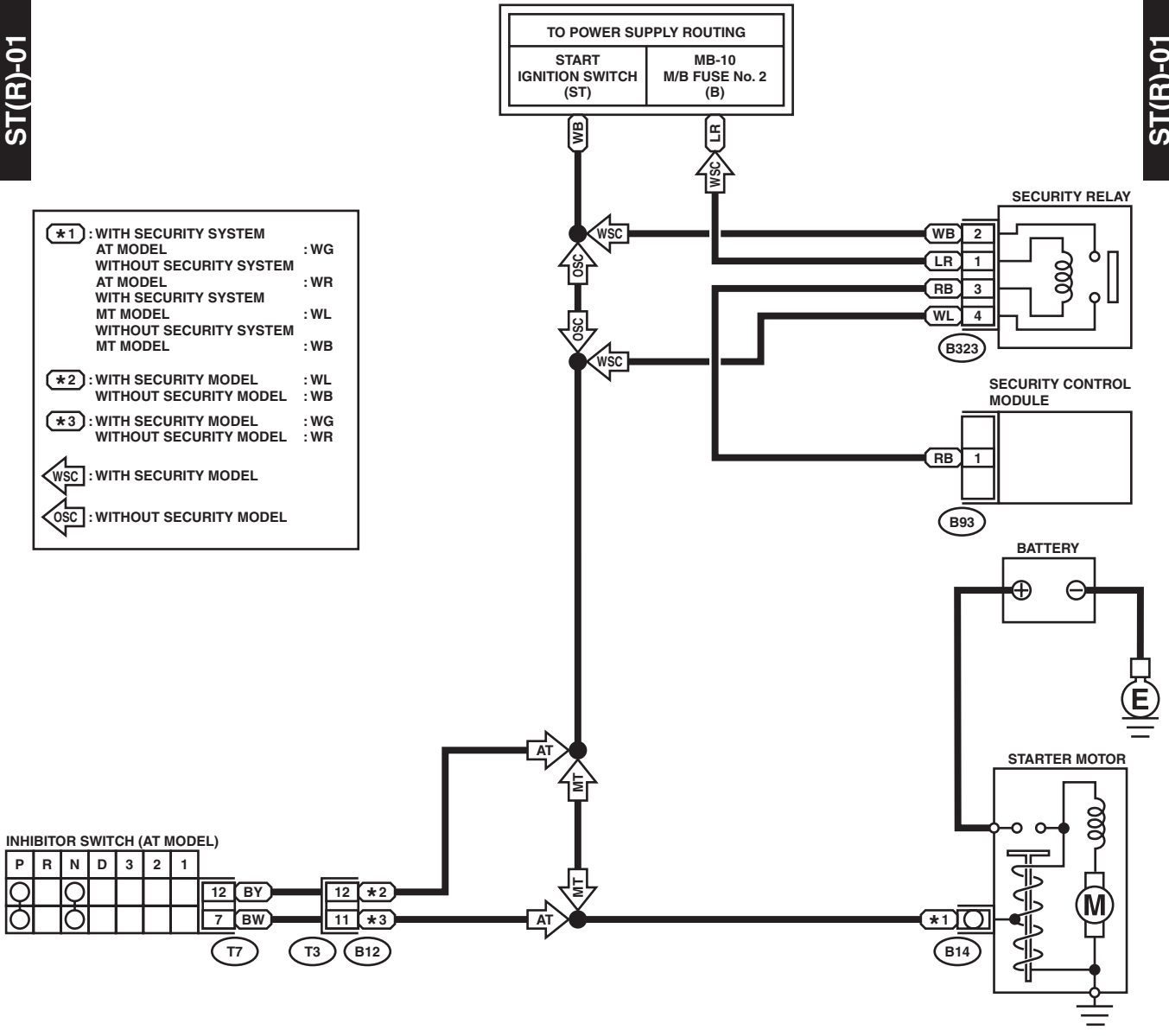
WIRING SYSTEM

2. RHD MODEL

ST(R)-01

ST(R)-01

- *1 : WITH SECURITY SYSTEM : WG
AT MODEL : WG
WITHOUT SECURITY SYSTEM : WR
AT MODEL : WR
WITH SECURITY SYSTEM : WL
MT MODEL : WL
WITHOUT SECURITY SYSTEM : WB
MT MODEL : WB
- *2 : WITH SECURITY MODEL : WL
WITHOUT SECURITY MODEL : WB
- *3 : WITH SECURITY MODEL : WG
WITHOUT SECURITY MODEL : WR
- ←WSC : WITH SECURITY MODEL
- ←OSC : WITHOUT SECURITY MODEL



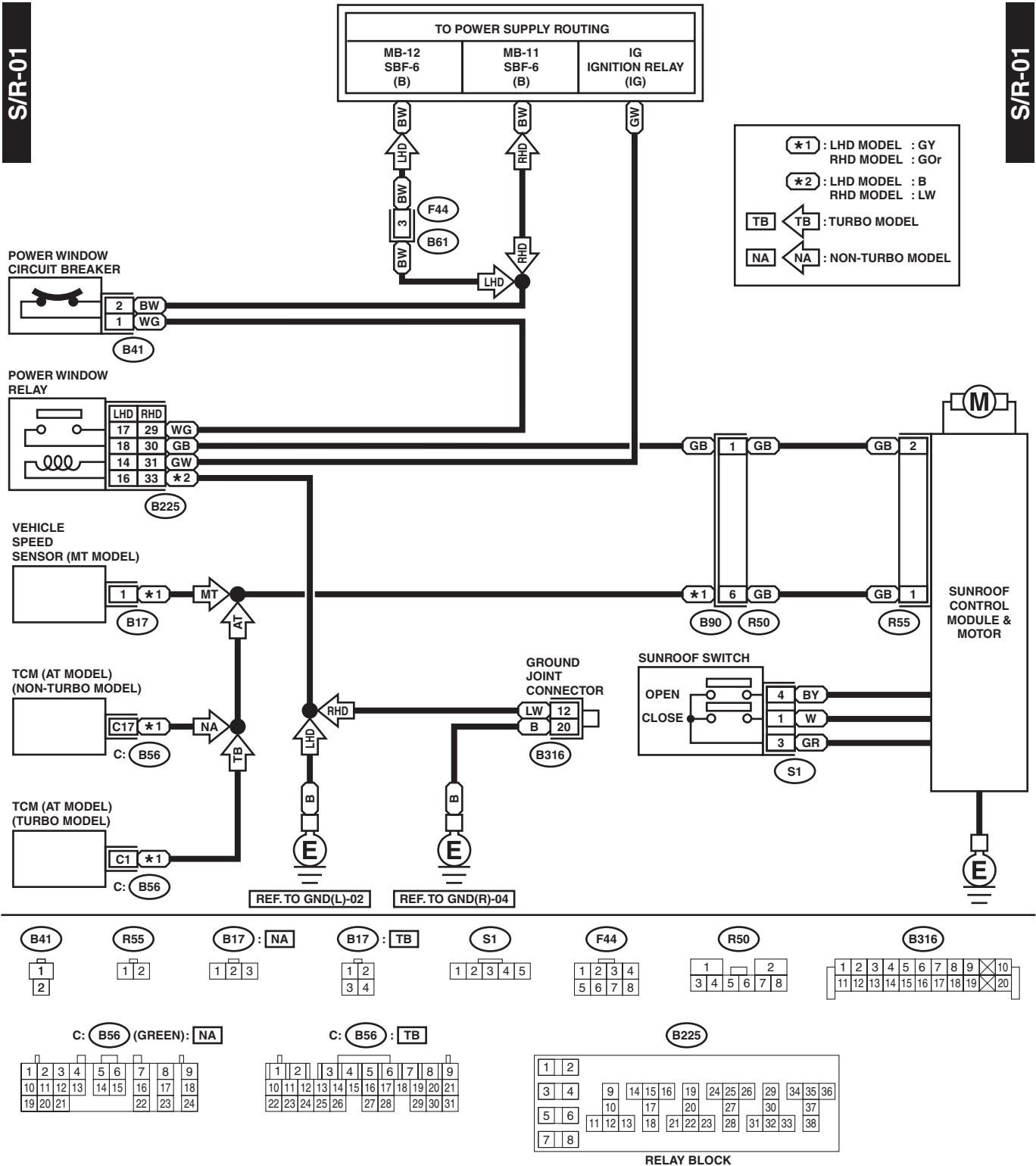
WI-03367

43.Sunroof System

A: WIRING DIAGRAM

S/R-01

S/R-01



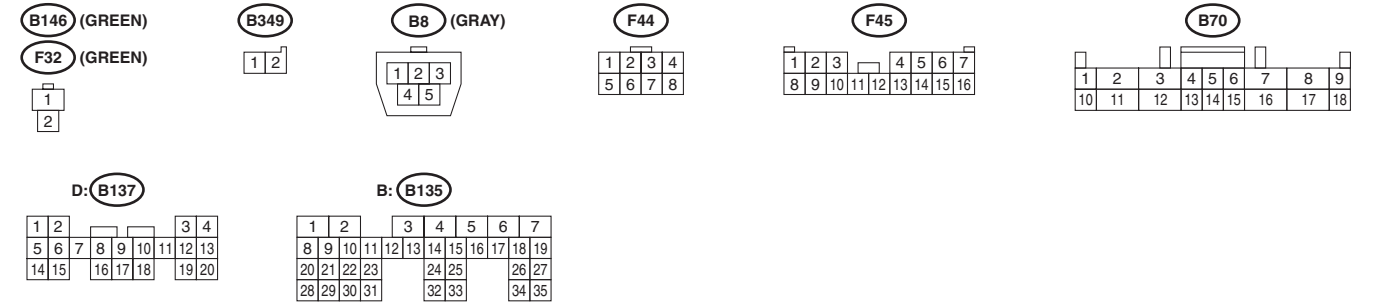
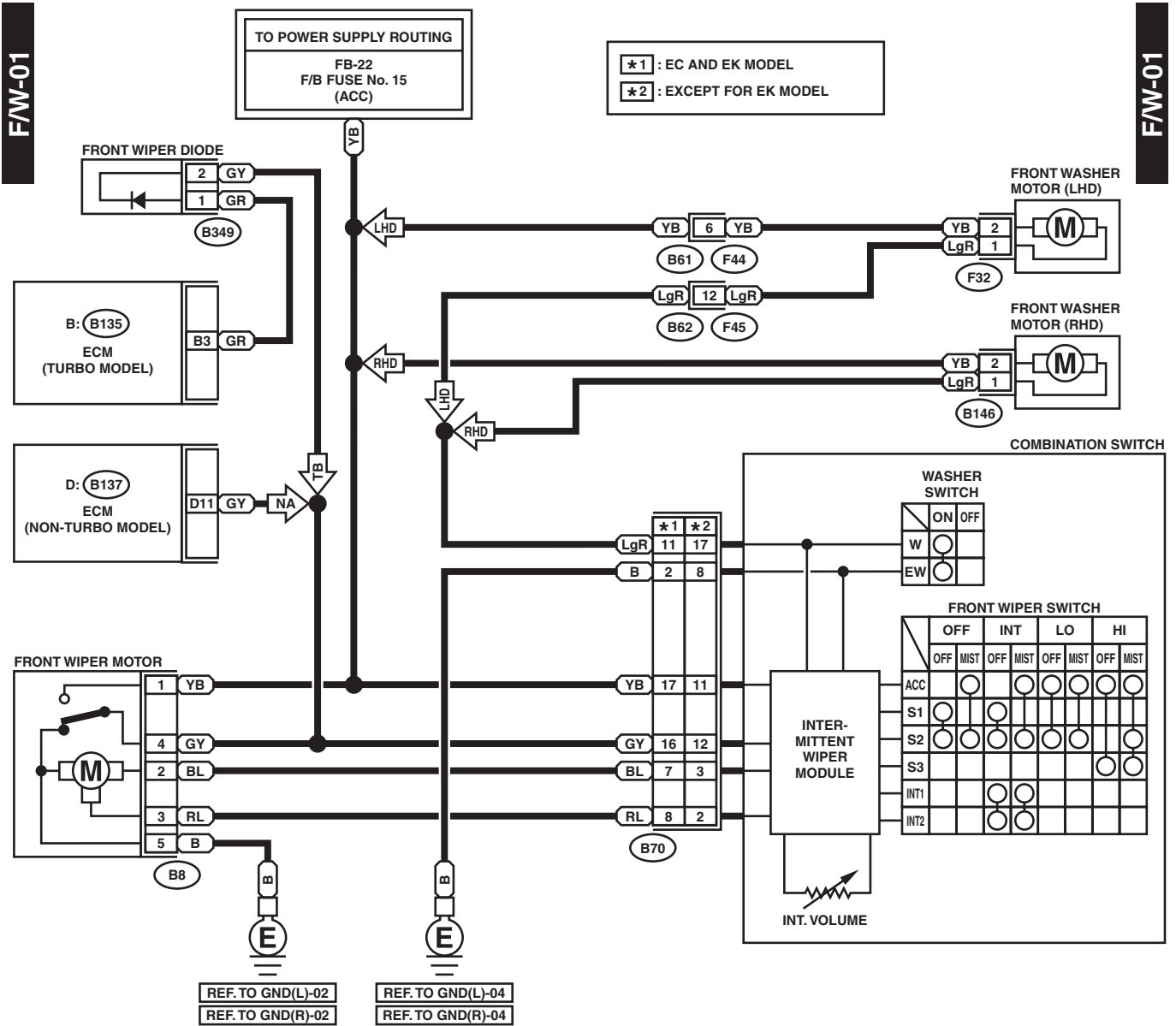
WI-03369

Wiper and Washer System (Front)

WIRING SYSTEM

44. Wiper and Washer System (Front)

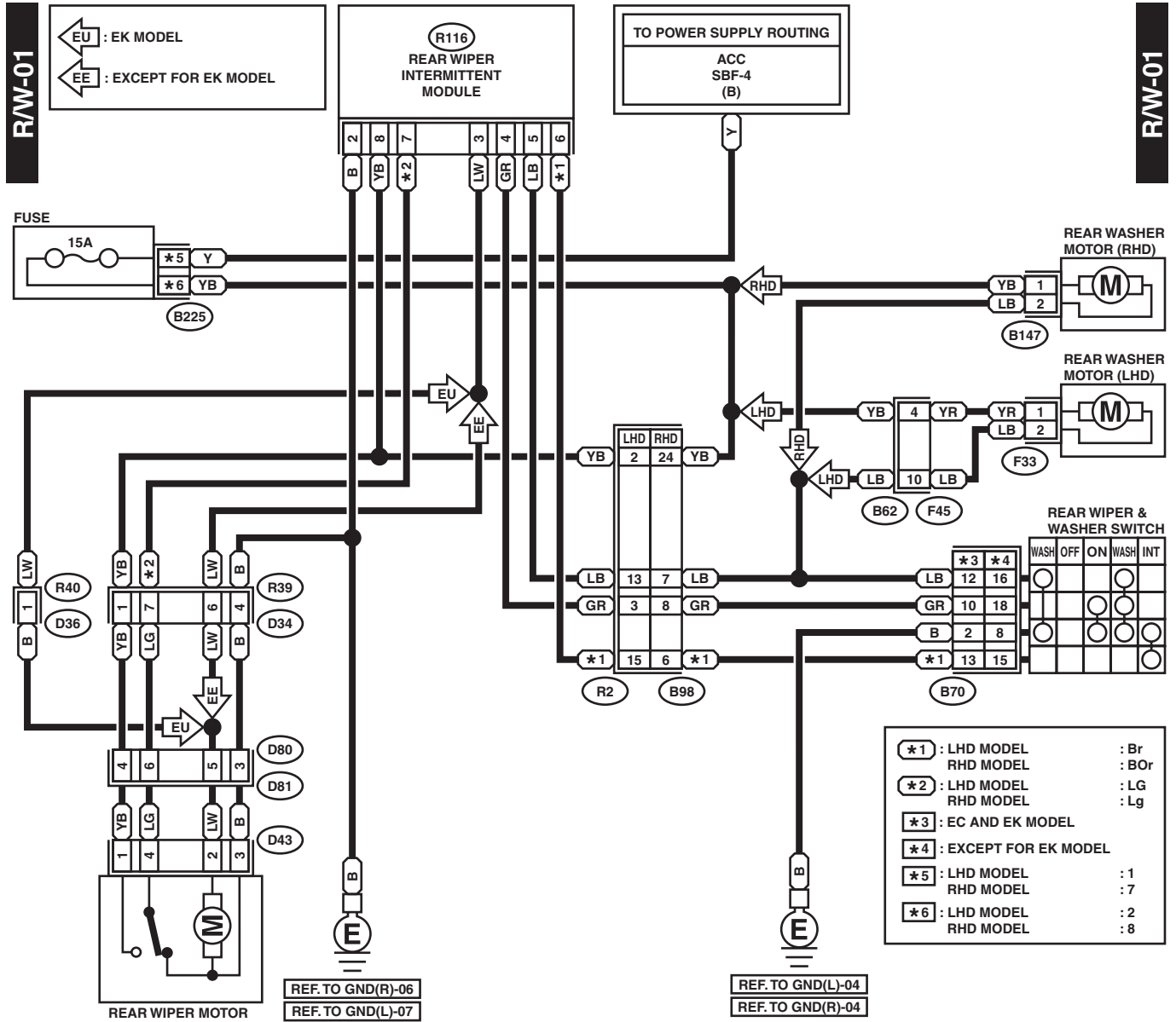
A: WIRING DIAGRAM



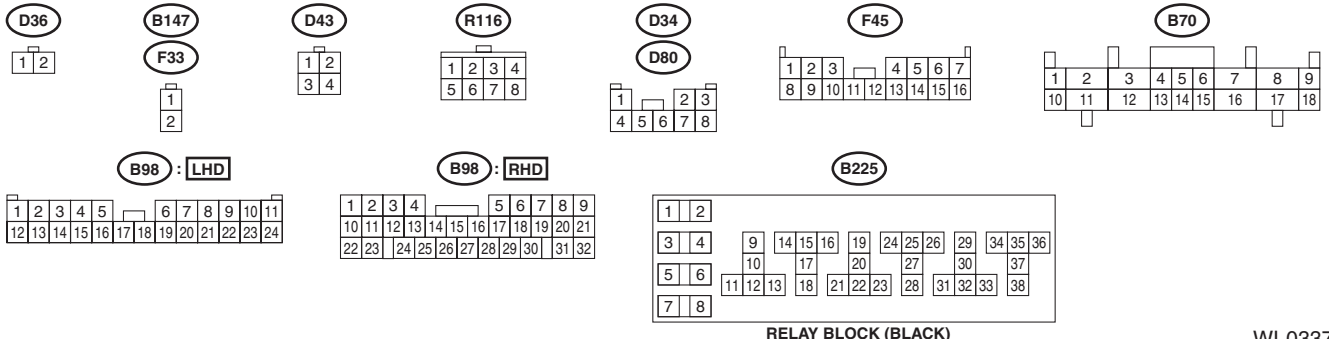
WI-03373

45. Wiper and Washer System (Rear)

A: WIRING DIAGRAM



- ★1 : LHD MODEL : Br
RHD MODEL : BOr
- ★2 : LHD MODEL : LG
RHD MODEL : Lg
- ★3 : EC AND EK MODEL
- ★4 : EXCEPT FOR EK MODEL
- ★5 : LHD MODEL : 1
RHD MODEL : 7
- ★6 : LHD MODEL : 2
RHD MODEL : 8



RELAY BLOCK (BLACK)

WI-03374

Rear Accessory Power Supply System

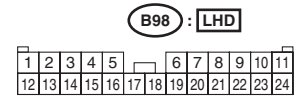
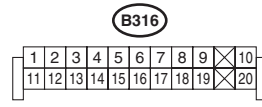
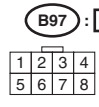
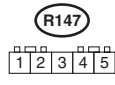
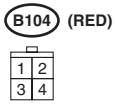
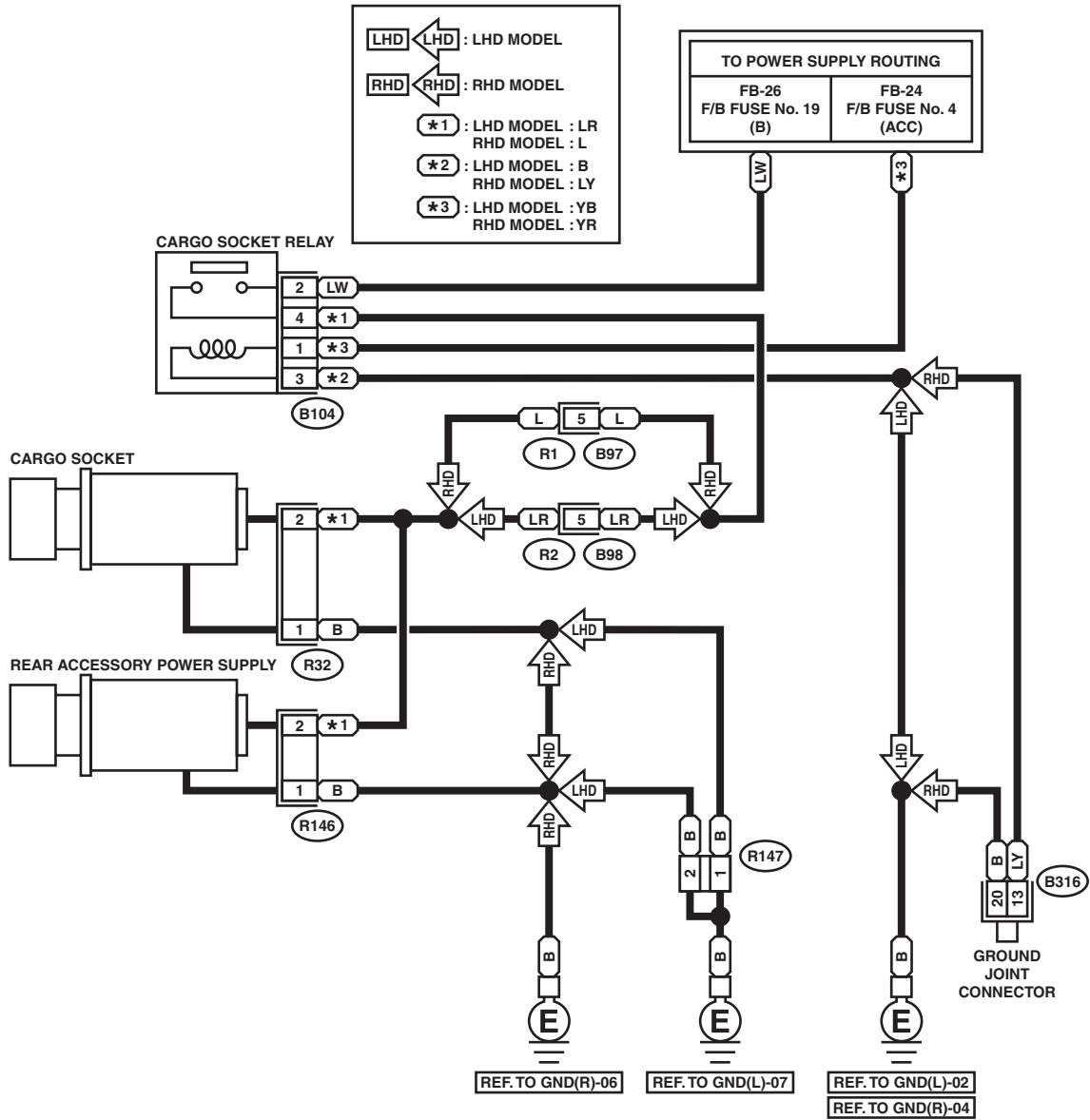
WIRING SYSTEM

46.Rear Accessory Power Supply System

A: WIRING DIAGRAM

RAPS-01

RAPS-01



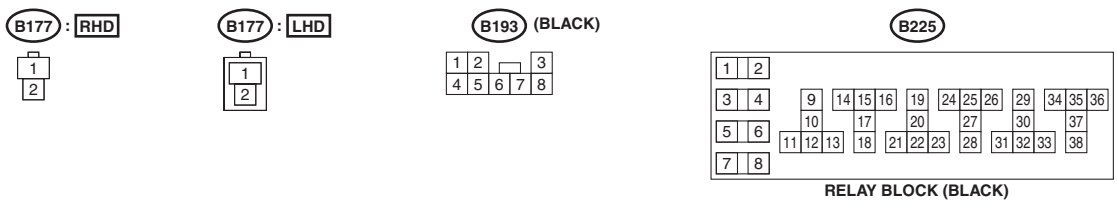
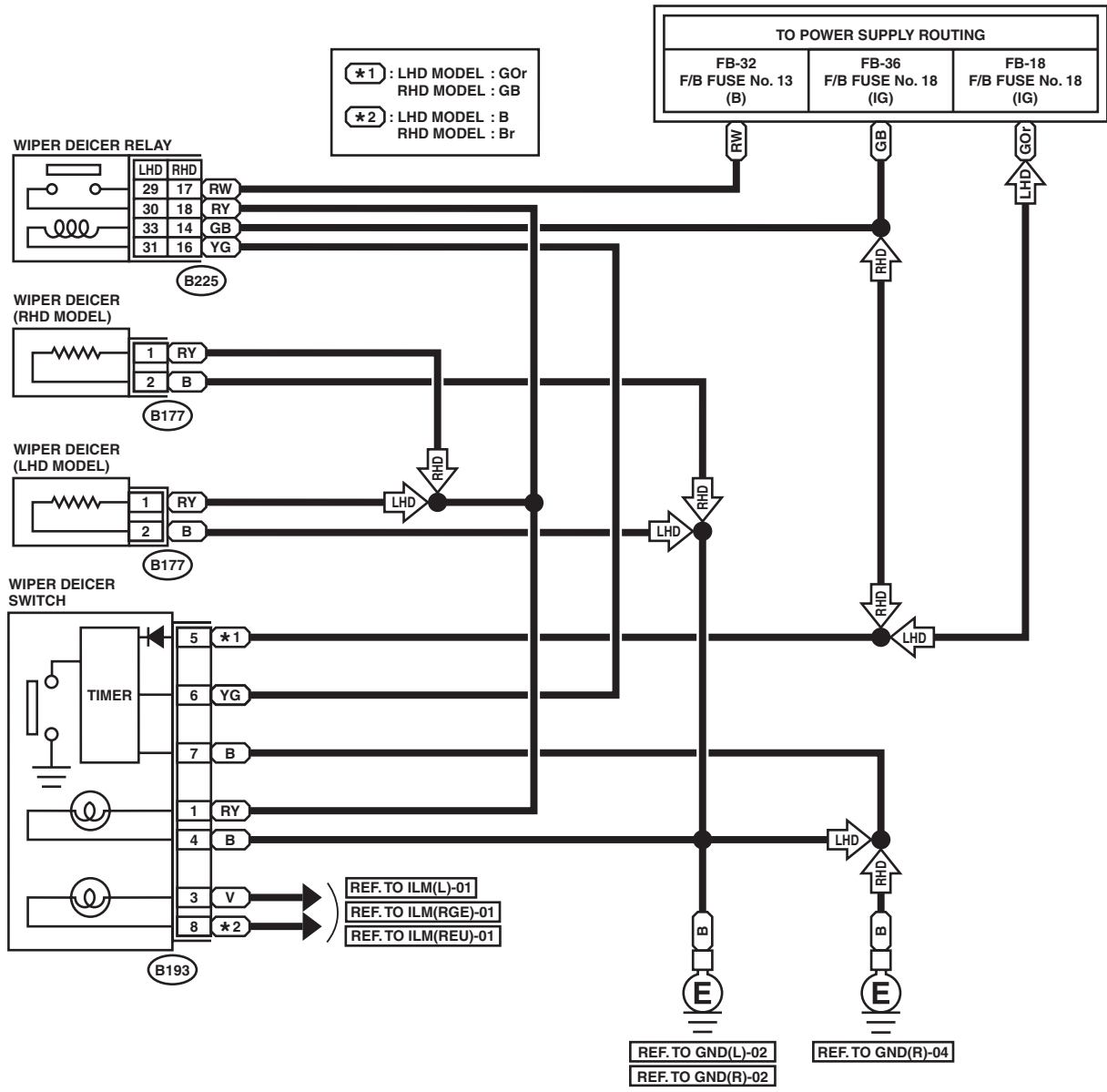
WI-03353

47. Wiper Deicer System (Rear)

A: WIRING DIAGRAM

W/D-01

W/D-01



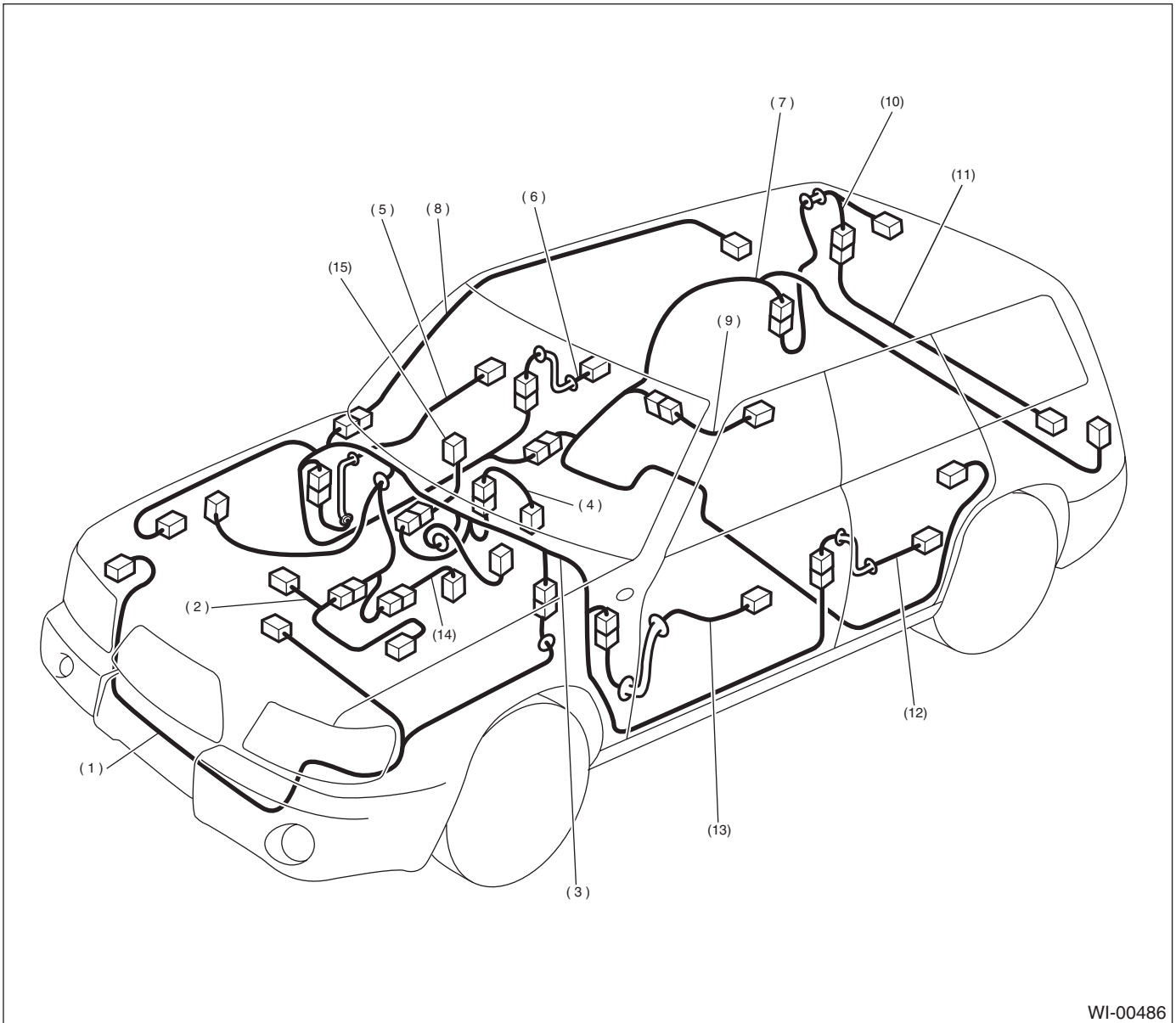
Harness Components Location

WIRING SYSTEM

48. Harness Components Location

A: LOCATION

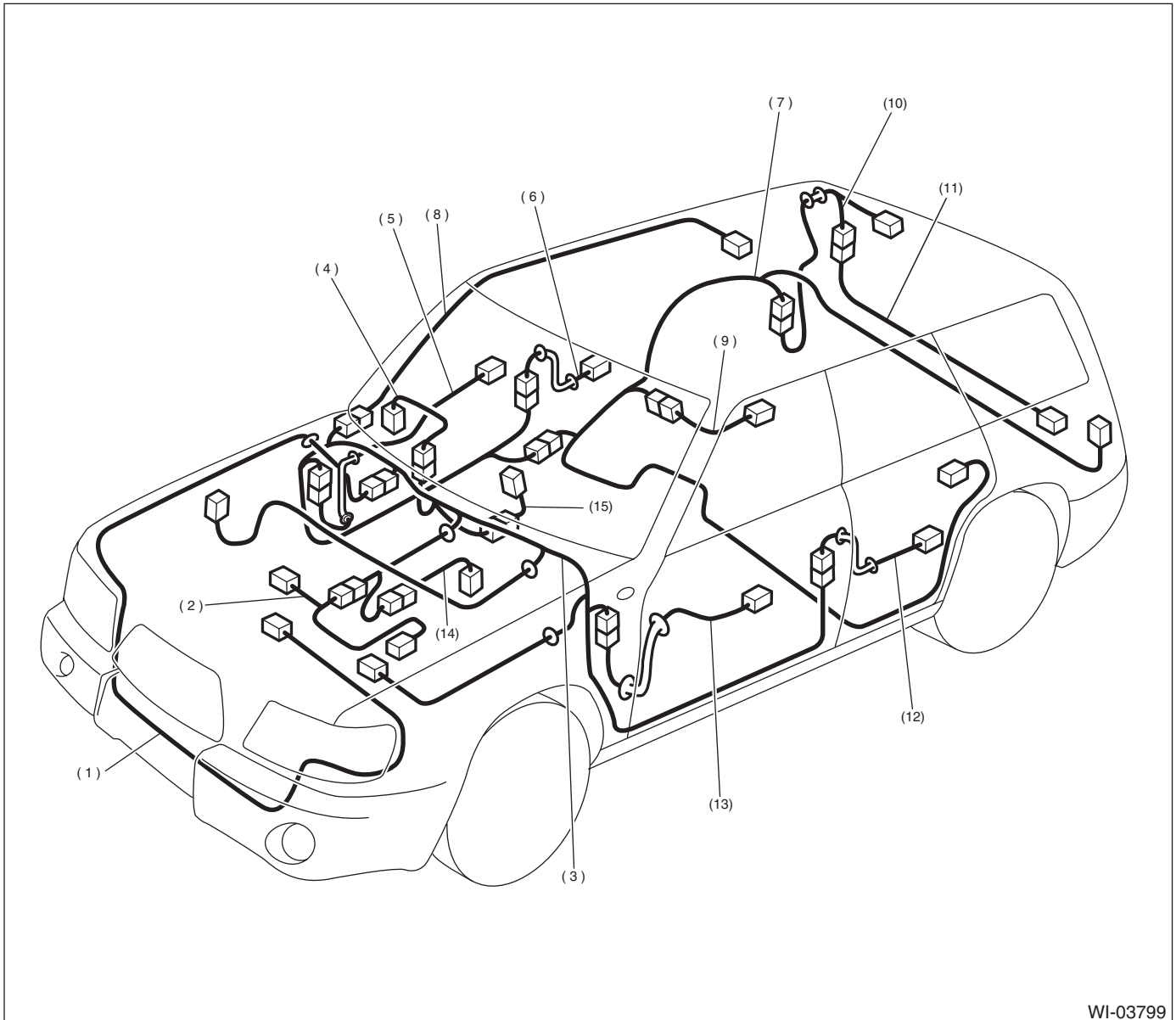
1. LHD MODEL



WI-00486

- | | | |
|-------------------------------------|-------------------------|---------------------------|
| (1) Front wiring harness | (6) Rear door cord RH | (11) Rear gate cord 2 |
| (2) Engine wiring harness | (7) Rear wiring harness | (12) Rear door cord LH |
| (3) Bulkhead wiring harness | (8) Roof cord | (13) Front door cord LH |
| (4) Instrument panel wiring harness | (9) Fuel tank cord | (14) Transmission cord |
| (5) Front door cord RH | (10) Rear gate cord 1 | (15) Center panel harness |

2. RHD MODEL



WI-03799

- | | | |
|-------------------------------------|-------------------------|---------------------------|
| (1) Front wiring harness | (6) Rear door cord RH | (11) Rear gate cord 2 |
| (2) Engine wiring harness | (7) Rear wiring harness | (12) Rear door cord LH |
| (3) Bulkhead wiring harness | (8) Roof cord | (13) Front door cord LH |
| (4) Instrument panel wiring harness | (9) Fuel tank cord | (14) Transmission cord |
| (5) Front door cord RH | (10) Rear gate cord 1 | (15) Center panel harness |

Front Wiring Harness

WIRING SYSTEM

49. Front Wiring Harness

A: LOCATION

1. LHD MODEL

• Front Wiring Harness

Connector				Connecting to	
No.	Pole	Color	Area	No.	Name
F2	20	Blue	B-4	B100	Bulkhead wiring harness
F5	1	Black	D-3		Horn
F7	3	Black	B-1		Headlight RH
F16	2	Black	C-1		Sub fan motor (Except turbo AT)
	2	Gray	C-1		Sub fan motor (Turbo AT model)
F17	2	Black	C-2		Radiator main fan motor (Except turbo AT model)
	2	Gray	C-2		Radiator main fan motor (Turbo AT model)
F19	2	Gray	C-3		Front turn signal light RH
F21	2	Black	D-3		Front fog light LH
F22	2	Gray	C-3		Front clearance light LH
F23	3	Black	C-3		Headlight LH
F24	1	Black	B-3		A/C compressor
F25	1	★	B-2		Generator
F26	3	Green	B-2		
F27	36	Black	B-3		A/C relay holder
F32	2	Green	B-2		Front washer motor
F33	2	★	C-2		Rear washer motor
F34	4	Black	B-4		SBF holder
F35	2	Black	B-3		Main fuse box (M/B)
F36	3	★	B-4		
F37	6	Black	B-4		
F38	1	Brown	B-4		
F39	8	★	B-3		
F40	9	Brown	B-5		Fuse & relay box (F/B)
F41	7	Gray	B-5		
F44	8	★	B-4	B61	Bulkhead wiring harness
F45	16	★	B-4	B62	
F46	2	Black	B-4	B108	
F47	1	Black	C-3		Horn
F54	2	★	B-5		Side turn signal light LH
F57	2	Blue	C-3		Headlight washer motor
F58	3	Black	C-3		Headlight beam leveler LH
F59	3	Black	B-1		Headlight beam leveler RH
F60	16	Brown	C-3	E3	Engine wiring harness (Turbo model)
F61	20	Black	C-3	E2	
F68	4	★	B-4		Main fuse box (M/B)
F74	24	Black	B-4	B200	Bulkhead wiring harness
F78	2	Black	C-1		Ambient sensor
F79	4	★	C-2		A/C pressure switch
F94	2	Brown	B-3		ABS front sensor LH
F103	8	Gray	C-1		Shield joint connector (ABS)
F111	2	Gray	B-3		Heater cock solenoid (Non-turbo 2.0 L Europe model)

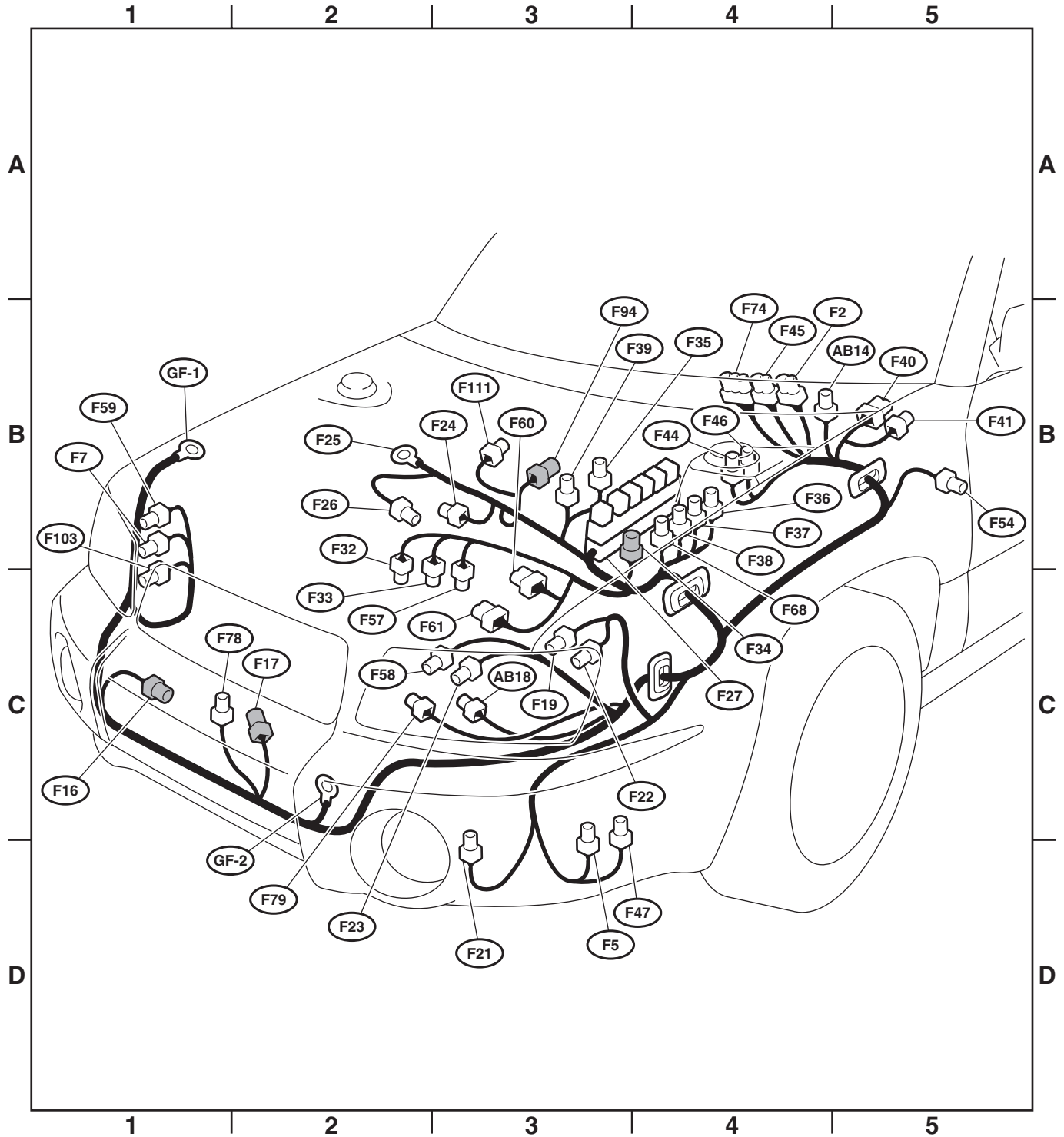
★: Non-colored

Front Wiring Harness

WIRING SYSTEM

• Front Sub Sensor Harness

Connector				Connecting to	
No.	Pole	Color	Area	No.	Name
AB14	2	Yellow	B-4	AB13	Airbag wiring harness
AB18	2	Yellow	C-3		Front sub sensor LH



WI-03376

Front Wiring Harness

WIRING SYSTEM

2. RHD MODEL

• Front Wiring Harness

Connector				Connecting to	
No.	Pole	Color	Area	No.	Name
F2	22	Blue	B-3	B-100	Bulkhead wiring harness (ABS)
F3	2	★	B-1		Front turn signal light RH
F5	1	★	C-3		Horn
F6	2	Black	B-1		Front fog light RH
F7	3	★	B-1		Headlight RH
F11	2	Gray	B-1		Front clearance light RH
F16	2	Black	C-1		Sub fan motor
F17	2	Black	C-2		Radiator main fan motor
F19	2	★	C-3		Front turn signal light LH
F21	2	Black	D-3		Front fog light LH
F22	2	Gray	C-3		Front clearance light LH
F23	3	★	C-3		Headlight LH
F24	1	★	B-3		A/C compressor
F25	1	★	B-2		Generator
F26	3	Green	B-2		
F27	36	Black	B-4		A/C relay holder
F34	4	★	B-3		SBF holder (ABS)
F35	2	★	B-3		M/B
F39	8	Black	B-3		
F41	7	Gray	B-3		F/B
F44	8	Gray	B-3	B61	Bulkhead wiring harness
F45	18	Black	B-3	B62	
F47	1	★	C-3		Horn
F48	8	★	B-2		Shield joint connector (ABS)
F49	31	★	B-1		ABS control module
F51	2	★	B-2		Side turn signal light RH
F58	3	Black	C-3		Headlight beam leveler LH
F59	3	Black	B-1		Headlight beam leveler RH
F64	1	★	C-2		ABS motor ground
F78	2	★	C-1		Ambient sensor
F79	4	★	C-2		A/C pressure switch
F94	2	Brown	B-3		ABS front sensor LH
F95	2	Brown	B-2		ABS front sensor RH
F96	1	★	C-3	B255	Bulkhead wiring harness (ABS)
F97	2	Black	B-3		ABS condenser

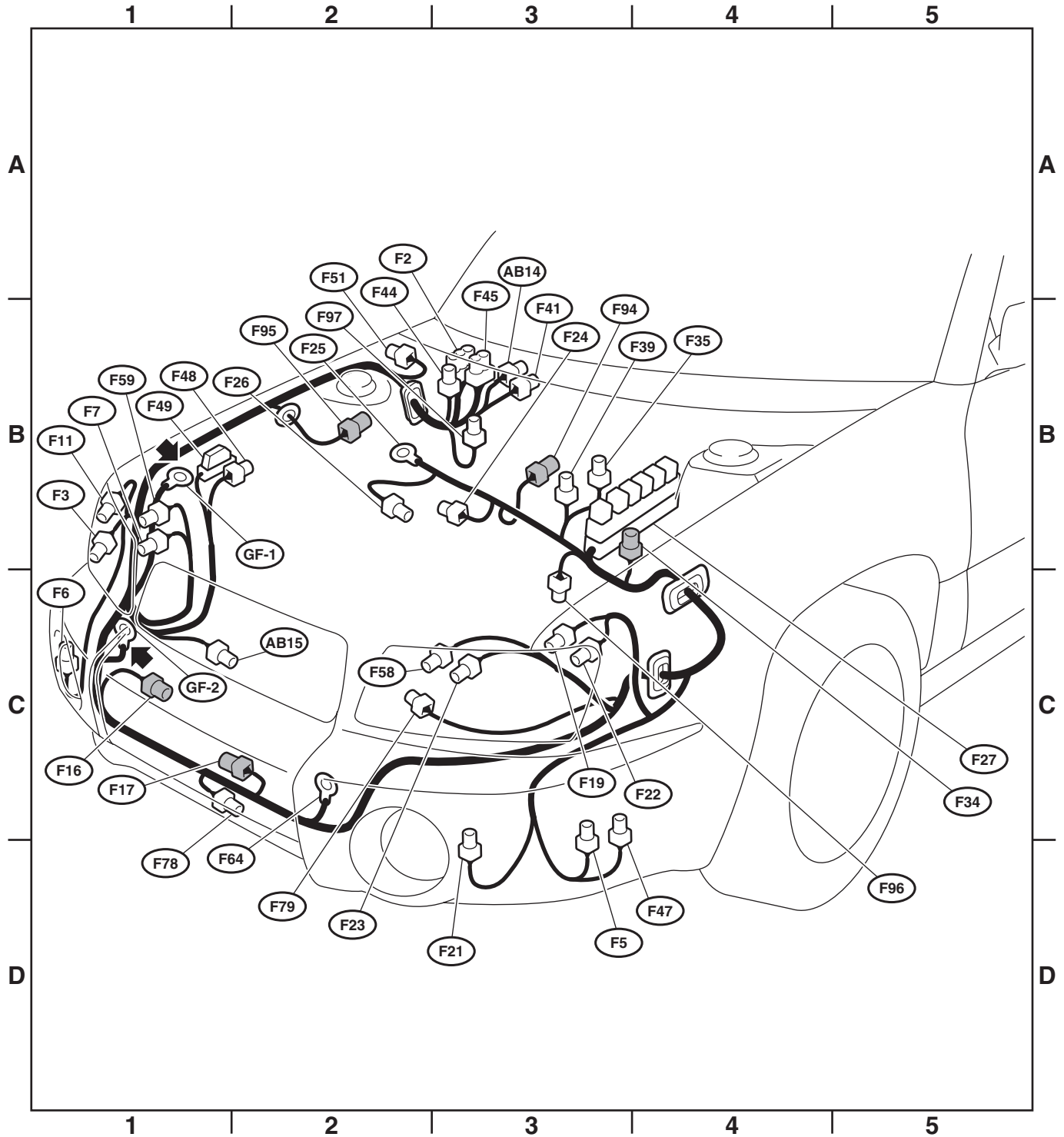
★: Non-colored

Front Wiring Harness

WIRING SYSTEM

• Front Sub Sensor Wiring Harness

Connector				Connecting to	
No.	Pole	Color	Area	No.	Name
AB14	2	Yellow	B-3	AB13	Airbag wiring harness
AB15	2	Yellow	C-1		Front sub sensor RH



WI-03377

Bulkhead Wiring Harness (In Engine Room)

WIRING SYSTEM

50. Bulkhead Wiring Harness (In Engine Room)

A: LOCATION

1. LHD NON-TURBO MODEL

• Bulkhead Wiring Harness

Connector				Connecting to	
No.	Pole	Color	Area	No.	Name
B6	2	Brown	B-2		ABS front sensor RH
B7	6	Black	B-2		Cruise control actuator
B8	5	Gray	B-4		Front wiper motor
B11	20	Black	B-3	T4	Transmission (AT model)
B12	12	Gray	B-4	T3	
B14	1	Black	B-4		Starter (Magnet)
B16	2	Gray	B-4		Brake fluid level switch
B17	3	Black	B-3		Vehicle speed sensor (MT model)
B18	4	★	B-2		Front oxygen (A/F) sensor
B20	6	Gray	B-3	E1	Engine wiring harness
B21	16	Brown	B-2	E2	
B22	20	Gray	B-2	E3	
B24	2	Gray	B-3	T1	Back-up light switch (MT model)
B25	2	Brown	B-3	T2	Neutral position switch (MT model)
B29	2	Gray	B-3	T8	Lo (AWD) indicator light switch (MT model)
B262	4	Gray	B-2		Rear oxygen sensor
B301	31	Black	B-1		ABS control module
B302	1	★	C-1		ABS motor ground
B305	2	★	B-3		Side turn signal light RH
B306	2	Black	C-1		Front fog light RH
B319	2	Gray	B-1		Front clearance light RH
B320	2	Gray	B-1		Front turn signal light RH
B321	8	Gray	B-1		Shield joint connector (ABS)

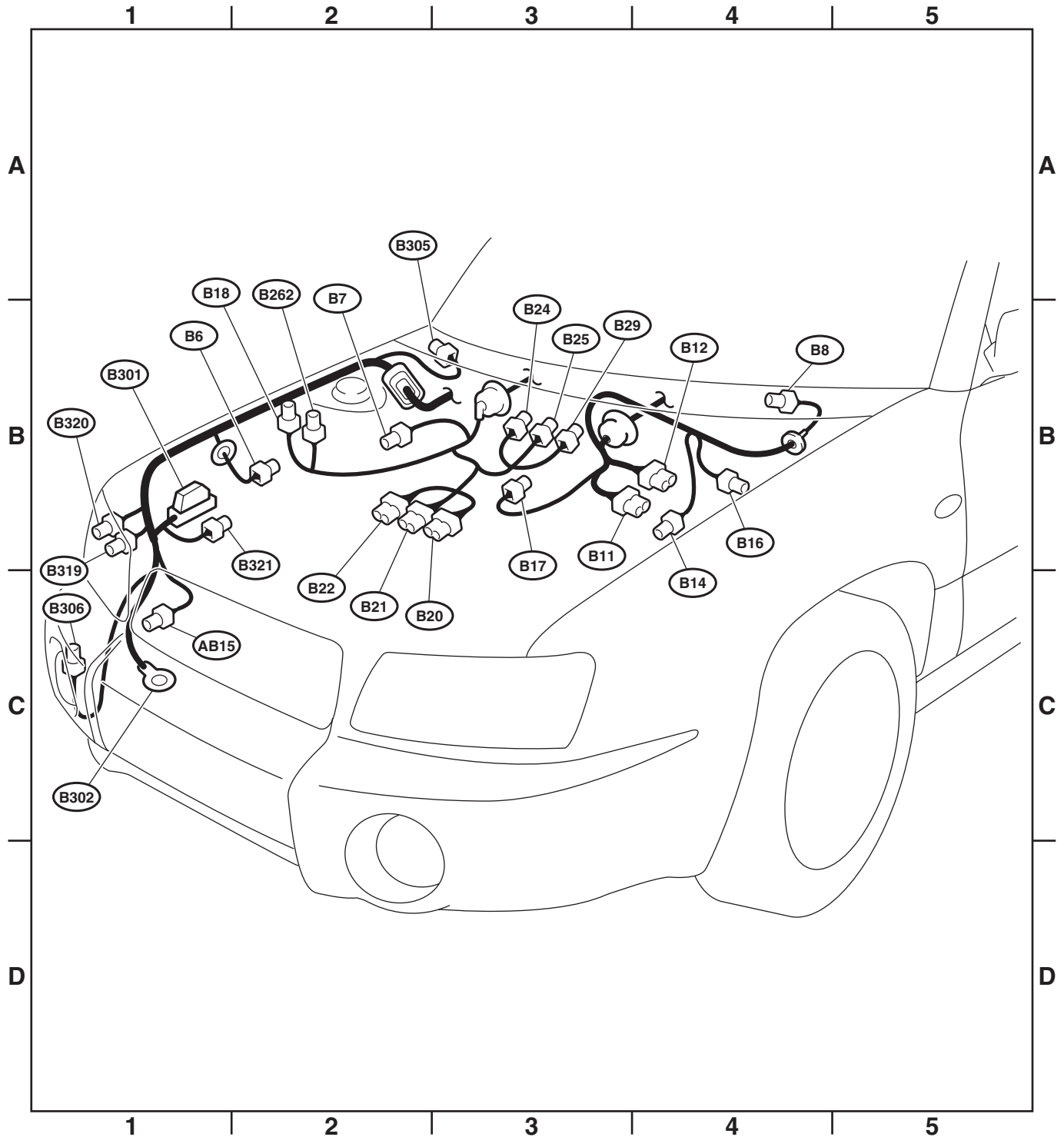
★: Non-colored

Bulkhead Wiring Harness (In Engine Room)

WIRING SYSTEM

• Airbag Wiring Harness

Connector				Connecting to	
No.	Pole	Color	Area	No.	Name
AB15	2	Yellow	C-1		Front sub sensor RH



WI-03378

Bulkhead Wiring Harness (In Engine Room)

WIRING SYSTEM

2. LHD TURBO MODEL

• Bulkhead Wiring Harness

Connector				Connecting to	
No.	Pole	Color	Area	No.	Name
B3	5	Black	B-2		Mass air flow sensor
B6	2	Brown	B-2		ABS front sensor RH
B7	6	Black	B-2		Cruise control actuator
B8	5	Gray	B-4		Front wiper motor
B11	20	Gray	B-3	T4	Transmission (AT model)
B12	12	Gray	B-3	T3	
B14	1	Black	B-4		Starter (Magnet)
B16	2	Gray	B-4		Brake fluid level switch
B17	4	Black	B-3		Vehicle speed sensor (MT model)
B18	4	Gray	B-3		Front oxygen (A/F) sensor
B20	10	Gray	B-2	E1	Engine wiring harness
B127	2	Blue	B-1		Wastegate control solenoid valve
B128	4	Gray	B-3	T9	Transmission (MT model)
B262	4	Gray	B-2		Rear oxygen sensor
B279	2	Gray	B-2		Exhaust temperature sensor
B301	31	Black	B-1		ABS control module
B302	1	★	C-1		ABS motor ground
B305	2	★	B-3		Side turn signal light RH
B306	2	Black	C-1		Front fog light RH
B319	2	Gray	B-1		Front clearance light RH
B320	2	Gray	B-1		Front turn signal light RH
B321	8	Gray	B-1		Shield joint connector (ABS)

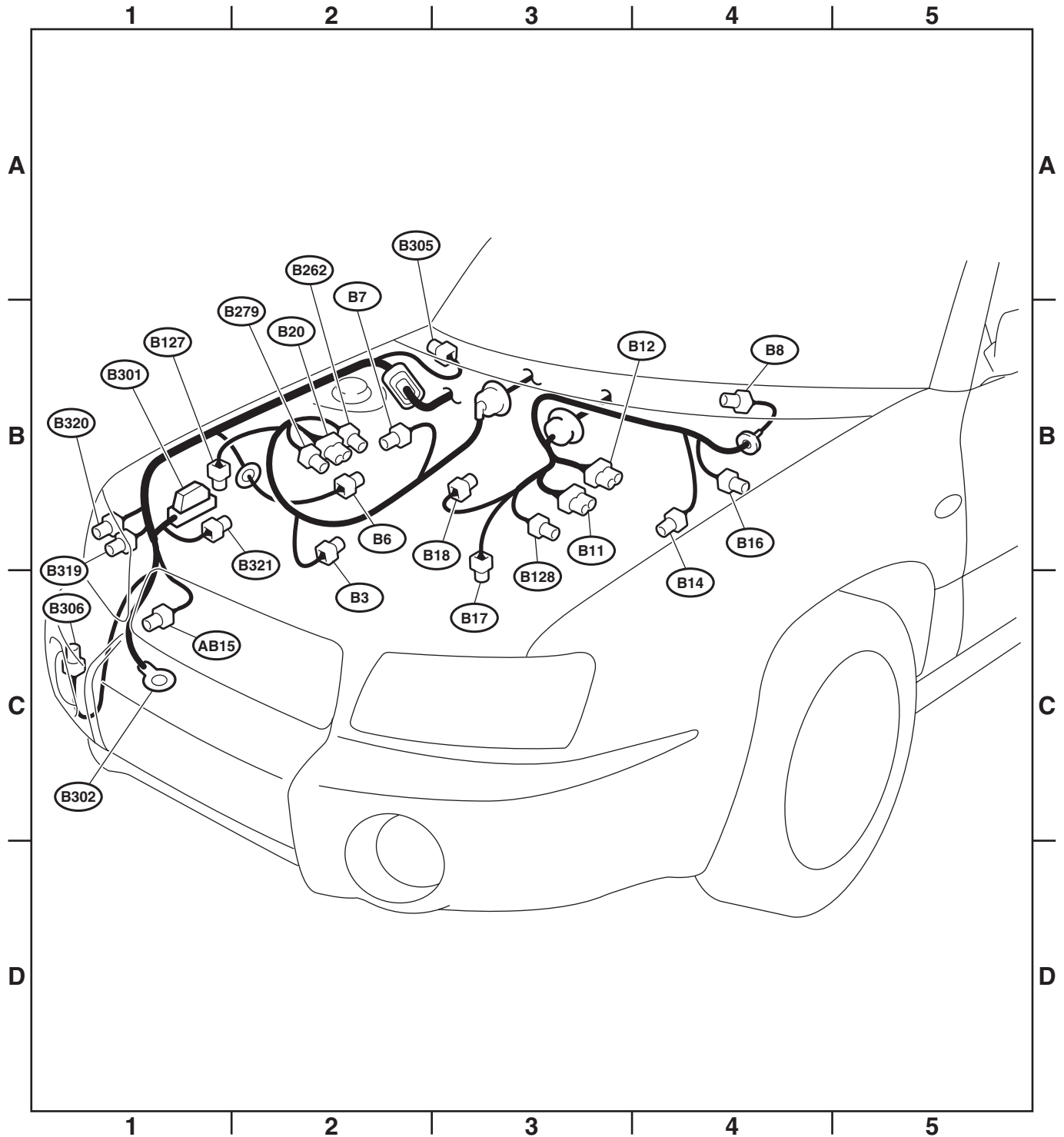
★: Non-colored

Bulkhead Wiring Harness (In Engine Room)

WIRING SYSTEM

• Airbag Wiring Harness

Connector				Connecting to	
No.	Pole	Color	Area	No.	Name
AB15	2	Yellow	C-1		Front sub sensor RH



WI-03379

Bulkhead Wiring Harness (In Engine Room)

WIRING SYSTEM

3. RHD NON-TURBO MODEL

• Bulkhead Wiring Harness

Connector				Connecting to	
No.	Pole	Color	Area	No.	Name
B7	6	Black	B-4		Cruise control actuator
B8	5	★	B-3		Front wiper motor
B11	20	Black	B-3	T4	Transmission (AT model)
B12	12	★	B-3	T3	
B14	1	Black	B-3		Starter (Magnet)
B16	2	Gray	B-2		Brake fluid level switch
B17	3	Black	B-3		Vehicle speed sensor (MT model)
B18	4	★	B-3		Front oxygen (A/F) sensor
B19	4	★	B-3		Rear oxygen sensor
B20	6	★	C-2	E1	Engine wiring harness
B21	16	Brown	B-2	E2	
B22	20	Gray	B-2	E3	
B24	2	Gray	B-2	T1	Back-up light switch (MT model)
B25	2	Brown	B-3	T2	Neutral position switch (MT model)
B29	2	Gray	B-2	T8	Lo (AWD) indicator light switch (MT model)
B143	3	★	B-4		MAIN FUSE BOX (M/B)
B144	6	Black	B-4		
B145	1	★	B-4		
B146	2	Green	B-3		Front washer motor
B147	2	★	B-3		Rear washer motor
B148	2	★	B-5		Side turn signal light LH
B149	2	Blue	B-3		Headlight washer motor
B186	4	Black	B-4		M/B
B255	1	★	C-3	F96	Front wiring harness (ABS)
B367	2	★	B-3		Heater cock solenoid (2.0 L model)

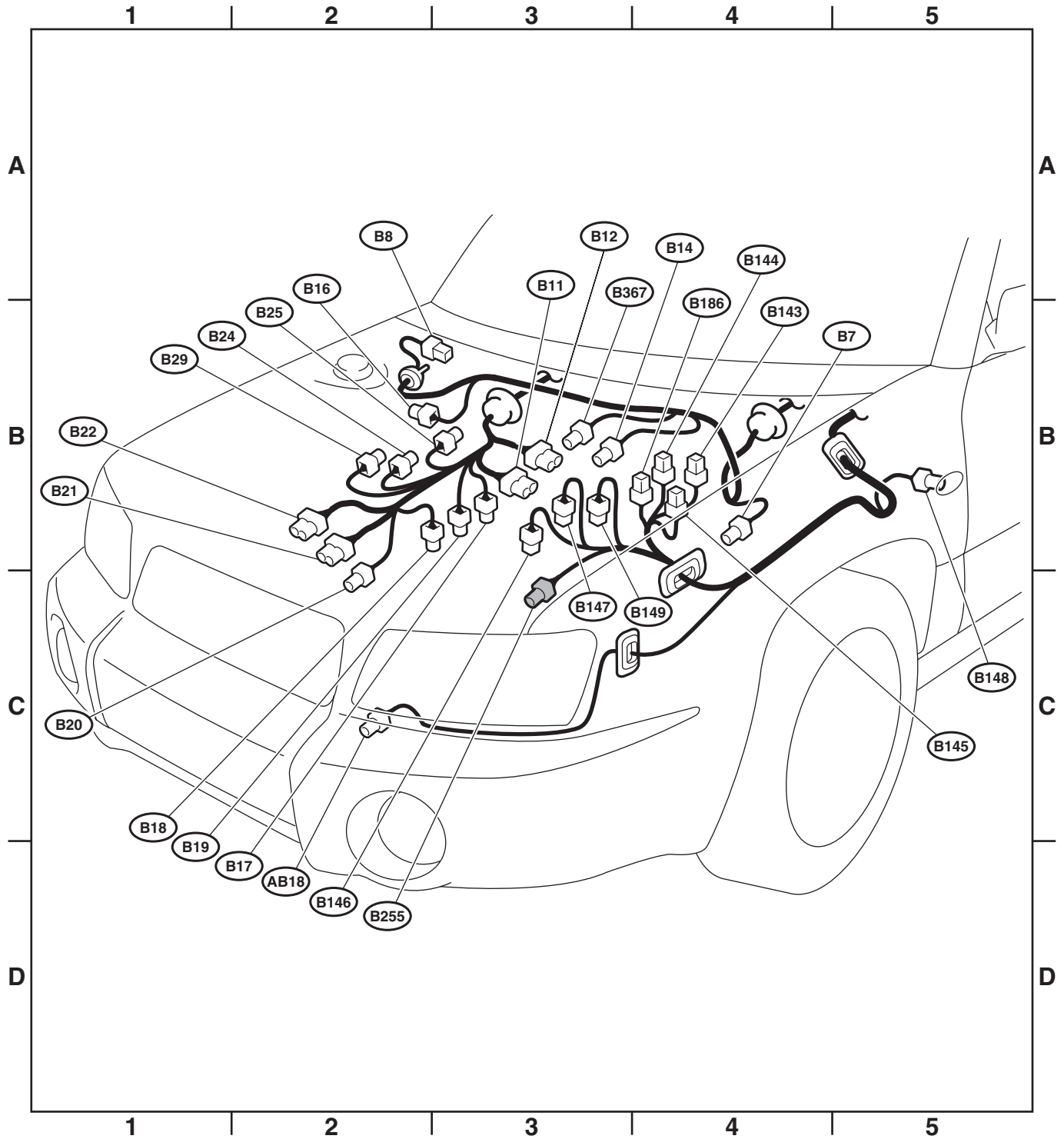
★: Non-colored

Bulkhead Wiring Harness (In Engine Room)

WIRING SYSTEM

• Airbag Wiring Harness

Connector				Connecting to	
No.	Pole	Color	Area	No.	Name
AB18	2	Yellow	C-2		Front sub sensor LH



WI-03380

Bulkhead Wiring Harness (In Engine Room)

WIRING SYSTEM

4. RHD TURBO MODEL

• Bulkhead Wiring Harness

Connector				Connecting to	
No.	Pole	Color	Area	No.	Name
B3	5	★	B-2		Mass air flow sensor
B7	6	Gray	B-4		Cruise control actuator
B8	5	★	B-3		Front wiper motor
B11	20	Gray	B-3	T4	Transmission (AT model)
B12	12	★	B-3	T3	
B14	1	★	B-3		Starter (Magnet)
B16	2	Gray	B-2		Brake fluid level switch
B17	4	Black	B-2		Vehicle speed sensor (MT model)
B18	4	★	B-2		Front oxygen (A/F) sensor
B19	4	★	B-2	T5	Rear oxygen sensor
B20	10	★	B-2	E1	Engine wiring harness
B21	16	Brown	C-3	E2	
B22	20	Black	C-3	E3	
B127	2	★	B-2		Wastegate control solenoid valve
B128	4	Gray	B-3	T9	Transmission (MT model)
B143	3	★	B-4		M/B
B144	6	Black	B-4		
B145	1	★	B-4		
B146	2	Green	B-3		Front washer motor
B147	2	★	B-3		Rear washer motor
B148	2	★	B-5		Side turn signal light LH
B149	2	Blue	B-3		Headlight washer motor
B186	4	Black	B-4		M/B
B255	1	★	C-3	F96	Front wiring harness (With ABS)
B279	2	Gray	B-2		Exhaust gas temperature sensor
B317	4	★	B-2	E-56	Engine wiring harness (2.5 L model)

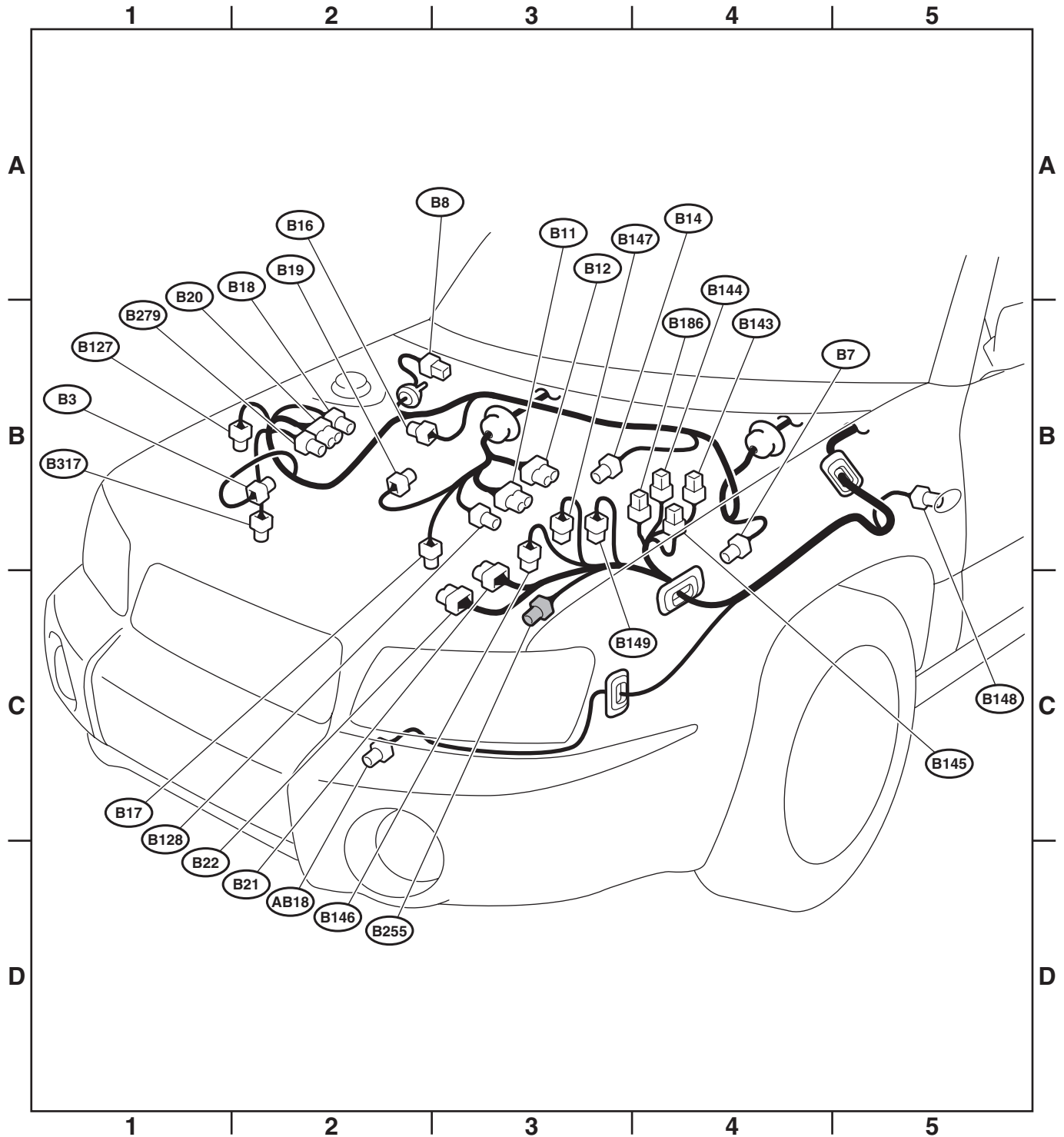
★: Non-colored

Bulkhead Wiring Harness (In Engine Room)

WIRING SYSTEM

• Airbag Wiring Harness

Connector				Connecting to	
No.	Pole	Color	Area	No.	Name
AB18	2	Yellow	D-4		Front sub sensor LH



WI-03381

Bulkhead Wiring Harness (In Compartment)

WIRING SYSTEM

51. Bulkhead Wiring Harness (In Compartment)

A: LOCATION

1. LHD MODEL

• Bulkhead Wiring Harness

Connector				Connecting to	
No.	Pole	Color	Area	No.	Name
B30	25	★	C-1	D1	Front door cord LH
B31	6	Yellow	D-1	AB1	SRS (Airbag) harness
B32	3	Black	B-2		Turn & hazard module
B37	24	★	C-1	i2	Instrument panel wiring harness
B38	32	★	C-1	i3	
B40	16	Black	C-2		Data link connector
B41	2	★	C-1		Power window circuit breaker
B44	10	★	C-2		Seat belt warning module
B46	4	★	B-5		Fuel pump relay
B47	6	Brown	B-5		Main relay
B50	4	★	C-1		Blower fan motor relay
B51	8	Blue	C-1		Fuse and relay box (F/B)
B53	6	★	C-2		Shield joint connector (Non-turbo AT model)
B54	24	★	B-2		Transmission control module (Non-turbo AT model)
	17	★	B-2		Transmission control module (Turbo AT model)
B55	24	Gray	B-2		Transmission control module (Non-turbo AT model)
	24	★	B-2		Transmission control module (Turbo AT model)
B56	24	Green	B-2		Transmission control module (Non-turbo AT model)
	31	★	B-2		Transmission control module (Turbo AT model)
B61	8	★	B-2	F44	Front wiring harness
B62	16	★	B-2	F45	
B64	2	Black	B-2		Stop light switch
B65	4	Black	B-2		Stop light switch (With cruise control)
B69	4	★	B-3		Combination switch
B70	18	★	B-3		
B71	17	★	B-3		
B72	4	Blue	C-3		Ignition switch
B74	2	Black	C-3		Key warning switch

Connector				Connecting to	
No.	Pole	Color	Area	No.	Name
B75	2	Green	C-2	B76	Test mode connector
B76	2	Green	C-2	B75	
B77	10	Brown	B-3		Mode actuator (A-A/C)
B79	14	Gray	C-2		Check connector
B81	1×2	★	C-2		Diagnosis terminal (Ground)
B82	6	Black	C-2		Diagnosis connector
B85	2	Brown	B-3		Diode (Rear fog light)
B86	6	Black	B-4		Blower fan motor resistor
B87	2	★	B-4		Blower fan motor (M-A/C)
	6	★	B-4		Blower fan motor (A-A/C)
B90	8	★	B-5	R50	Roof cord
B91	4	★	B-4		FRESH/RECIRC actuator
B94	20	Black	B-4		Cruise control module
B100	20	Blue	B-2	F2	Front wiring harness
B101	25	★	B-5	D30	Front door cord RH
B104	4	Red	C-1		Rear accessory power supply socket
B107	2	Blue	B-2		Clutch switch (MT model)
B108	2	Black	B-1	F46	Front wiring harness
B117	6	★	C-4		Select lever illumination light (AT model)
B119	4	★	C-4		Front accessory power supply socket
B122	8	★	C-4		Sensor ground joint connector
B125	2	Green	C-5	B126	Line end check connector
B126	2	Green	C-5	B125	
B129	2	Black	B-3		Kick down switch (AT model)
B131	4	★	C-1		Rear fog light relay
B132	6	★	C-2		Head light beam leveler switch
B134	34	★	C-4		Engine control module (Turbo model)
	35	Gray	C-4		Engine control module (Non-turbo model)
B135	26	Gray	B-4		Engine control module (Non-turbo model)
	35	★	B-4		Engine control module (Turbo model)
B136	20	Gray	B-4		Engine control module (Non-turbo model)
	35	★	B-4		Engine control module (Turbo model)
B137	28	Gray	B-4		Engine control module (Non-turbo model)
	31	★	B-4		Engine control module (Turbo model)

Bulkhead Wiring Harness (In Compartment)

WIRING SYSTEM

Connector				Connecting to	
No.	Pole	Color	Area	No.	Name
B140	6	Black	B-5		Headlight washer module
B141	12	★	B-3		Immobilizer control module
B152	7	★	C-1		Fuse and relay box (F/B)
B158	12	★	C-1		
B159	10	Gray	C-2		
B160	6	Gray	C-2		Front fog light switch
B161	6	Brown	C-2		Cruise control main switch
B176	18	★	B-5		Keyless entry control module
B177	2	★	B-5		Wiper deicer
B183	1	★	C-1	B184	Joint connector
B184	1	★	C-1	B183	
B193	8	Black	C-2		Wiper deicer switch
B194	8	★	C-2		Headlight washer switch
B198	1	★	B-3	B199	Ground joint connector
B199	1	★	B-3	B198	
B200	24	Black	B-1	F74	Front wiring harness (Turbo model)
B201	24	Black	C-4	i40	Instrument panel wiring harness
B202	20	★	C-4	i41	Instrument panel wiring harness (M-A/C)
	24	Black	C-4	i41	Instrument panel wiring harness (A-A/C)
B208	2	Black	B-4		Glove box light (Turbo model)
B224	2	★	C-3		Ignition switch illumination light
B225	8	Black	C-2		Fuse (Relay block)
	5	Black	C-2		Power window relay (Relay block)
	5	Black	C-2		Front fog light relay (Relay block)
	5	Black	C-2		Ignition relay (Relay block)
	5	Black	C-2		Mirror heater relay (Relay block)
	5	Black	C-2		Seat heater relay (Relay block)
B228	8	★	C-1		OP connector
B236	5	Black	C-3		Cruise control sub switch
B256	3	★	B-4		Evaporator sensor
B271	12	Blue	C-2		F/B
B272	6	★	C-1		Rear fog light switch.
B292	3	★	D-5		ABS G sensor
B296	4	★	C-2		Rear defogger timer
B299	8	★	B-2		Shield joint connector (AT model)

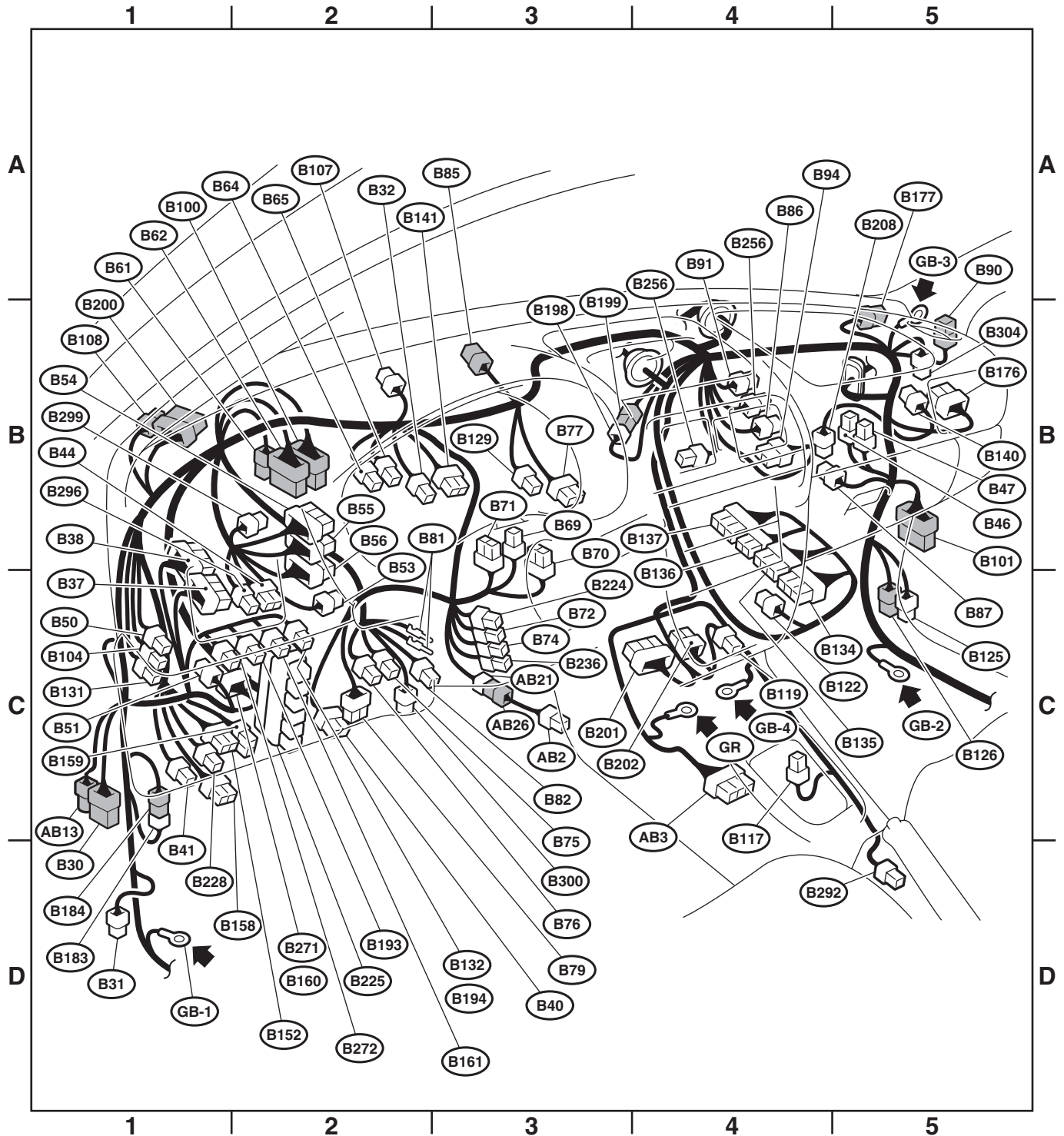
Connector				Connecting to	
No.	Pole	Color	Area	No.	Name
B300	6	★	C-2		Line end check connector
B304	2	Black	B-5		ABS condenser
★: Non-colored					

Bulkhead Wiring Harness (In Compartment)

WIRING SYSTEM

• Airbag Wiring Harness

Connector				Connecting to	
No.	Pole	Color	Area	No.	Name
AB2	2	Black	C-3		Inflator (Driver's seat)
AB3	28	Yellow	C-4		Airbag control module
AB13	2	Yellow	C-1	AB14	Front sub sensor harness LH
AB21	2	Yellow	C-3	AB26	Inflator (Driver's seat)



WI-03382

Bulkhead Wiring Harness (In Compartment)

WIRING SYSTEM

2. RHD MODEL

• Bulkhead Wiring Harness

Connector				Connecting to	
No.	Pole	Color	Area	No.	Name
B30	25	★	C-5	D1	Front door cord RH
B31	6	Yellow	D-5	AB1	SRS (Airbag) harness
B32	3	Black	B-3		Turn & hazard module
B37	18	Black	C-3	i2	Instrument panel wiring harness (MT model)
	22	Black	C-3	i2	Instrument panel wiring harness (AT model)
B38	32	★	C-3	i3	Instrument panel wiring harness
B40	16	Black	C-4		Data link connector
B41	2	★	C-5		Power window circuit breaker
B43	6	Black	B-1		Illumination control module
B46	4	★	B-1		Fuel pump relay
B47	6	Brown	B-1		Main relay
B50	4	★	C-5		Blower fan motor relay
B51	8	Blue	C-5		Fuse and relay box (F/B)
B53	4	★	B-4		Shield joint connector (AT model)
B54	24	★	B-4		Transmission control module (Non-turbo AT model)
	17		B-4		Transmission control module (Turbo AT model)
B55	24	Gray	B-4		Transmission control module (Non-turbo AT model)
	24	★	B-4		Transmission control module (Turbo AT model)
B56	24	Green	B-4		Transmission control module (Non-turbo AT model)
	31	★	B-4		Transmission control module (Turbo AT model)
B61	8	Gray	B-5	F44	Front wiring harness
B62	18	Black	B-5	F45	
B64	2	Black	B-4		Stop light switch
B65	4	Black	B-4		Stop & brake switch (With cruise control)
B69	4	★	B-3		Combination switch
B70	18	★	C-3		
B71	17	★	C-3		
B72	4	Blue	C-3		Ignition switch
B74	2	Black	C-3		Key warning switch

Connector				Connecting to	
No.	Pole	Color	Area	No.	Name
B75	2	Green	C-4	B76	Test mode connector
B76	2	Green	C-4	B75	
B77	3	Brown	B-2		Mode actuator (A-A/C)
B79	14	Gray	C-4		Check connector
B81	1×2	★	C-4		Diagnosis terminal (Ground)
B82	6	Black	C-4		Diagnosis connector
B83	6	★	C-1		Shield & sensor ground joint connector (E/G)
B85	4	★	B-4		Diode (Lighting)
B86	6	Black	B-2		Blower fan motor resistor (M-A/C)
B87	2	★	B-1		Blower fan motor (M-A/C)
	6	★	B-2		Blower fan motor (A-A/C)
B90	8	★	B-5	R50	Roof cord
B91	4	★	B-2		FRESH/RECIRC actuator
B93	20	★	B-2		Security control module
B94	20	★	B-2		Cruise control module
B100	22	Blue	B-5	F2	Front wiring harness
B101	25	★	C-1	D11	Front door cord LH
B104	4	Pink	C-5		Rear accessory power supply socket
B107	2	Blue	B-3		Clutch switch (MT model)
B117	6	★	C-2		Select lever illumination light (AT model)
B119	4	★	C-2		Front accessory power supply socket
B122	4	★	C-2		Shield & sensor ground joint connector (E/G) (Non-turbo model)
	8	★	C-2		Shield & sensor ground joint connector (E/G) (Turbo model)
B125	1	Green	B-1	B126	Line end connector
B126	1	Green	B-1	B125	
B129	2	★	C-4		Kick down switch (AT model)
B131	4	Blue	C-5		Rear fog light relay
B132	6	★	C-4		Headlight beam leveler switch
B133	6	★	C-2		AT power mode & hold mode switch

Bulkhead Wiring Harness (In Compartment)

WIRING SYSTEM

Connector				Connecting to	
No.	Pole	Color	Area	No.	Name
B134	34	★	C-2		Engine control module (Turbo model)
	35	★	C-2		Engine control module (Non-turbo model)
B135	28	★	C-2		Engine control module (Non-turbo model)
	35	★	C-2		Engine control module (Turbo model)
B136	26	★	C-2		Engine control module (Non-turbo model)
	35	★	C-2		Engine control module (Turbo model)
B137	20	★	B-2		Engine control module (Non-turbo model)
	31	★	B-2		Engine control module (Turbo model)
B140	6	Black	B-1		Headlight washer module
B141	12	★	B-3		Immobilizer control module
B152	7	★	C-5		Fuse and relay box (F/B)
B158	12	★	C-5		
B159	10	Gray	C-5		
B160	6	Gray	C-4		Front fog light switch
B161	6	Brown	C-4		Cruise control main switch
B176	18	★	B-1		Keyless entry control module
B177	2	★	B-1		Wiper deicer
B183	1	★	D-5	B184	Joint connector
B184	1	★	C-5	B183	
B187	9	Brown	C-5		Fuse and relay box (F/B)
B193	8	Black	C-4		Wiper deicer switch
B194	8	★	C-4		Headlight washer switch
B198	1	★	B-3	B199	Joint connection (Ground)
B199	1	★	B-3	B198	
B201	24	Black	C-2	i40	Instrument panel wiring harness
B202	20	★	C-2	i41	Instrument panel wiring harness (M-A/C)
	24	★	C-2	i41	Instrument panel wiring harness (A-A/C)
B208	2	★	B-1		Glove box light (Turbo model)
B224	2	★	C-3		Ignition switch illumination light

Connector				Connecting to	
No.	Pole	Color	Area	No.	Name
B225	8	Black	C-4		Fuse (Relay block)
	5	Black	C-4		Power window relay (Relay block)
	5	Black	C-4		Front fog light relay (Relay block)
	5	Black	C-4		Ignition relay (Relay block)
	5	Black	C-4		Mirror heater relay (Relay block)
	5	Black	C-4		Seat heater relay (Relay block)
B228	8	★	C-5		OP connector
B236	5	Black	C-3		Cruise control sub switch
B256	3	★	B-2		Evaporator sensor
B271	12	Blue	C-5		F/B
B272	6	★	C-5		Rear fog light switch
B292	3	★	D-1		ABS G sensor
B293	6	Black	B-2		Air mix actuator (A-A/C)
B296	4	★	B-4		Rear defogger timer
B299	8	★	B-4		Shield joint connector
B300	6	★	C-4		Line end check connector
B309	4	Black	B-1		ETC relay (Turbo 2.5 L model)
B314	2	★	B-2		In-vehicle temperature sensor (A-A/C)
B315	6	Black	C-5		Accelerator pedal position sensor (Turbo 2.5 L model)
B316	20	★	B-5		Ground joint connector
B323	4	Blue	C-4		Security relay
B324	16	Gray	C-4		Double lock control module
B325	20	Gray	C-4		

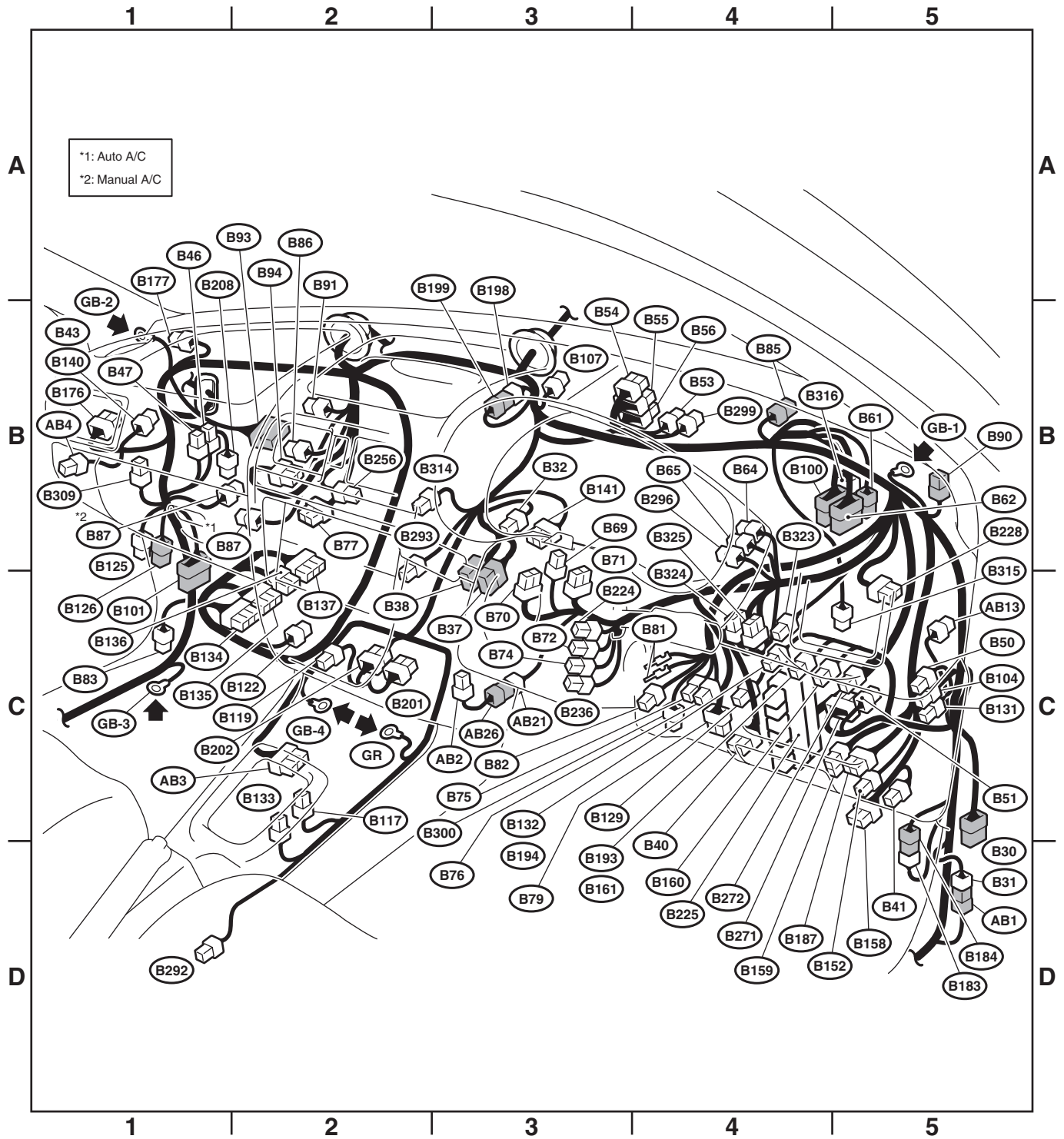
★: Non-colored

Bulkhead Wiring Harness (In Compartment)

WIRING SYSTEM

• Airbag Wiring Harness

Connector				Connecting to	
No.	Pole	Color	Area	No.	Name
AB1	6	Yellow	D-5	B31	Bulkhead wiring harness
AB2	2	Black	C-3	AB26	Inflator (Driver's seat)
AB13	2	Yellow	C-5	AB14	Front sub sensor harness RH
AB3	28	Yellow	C-2		Airbag control module
AB4	4	Yellow	B-1		Inflator (Passenger's seat)



Engine Wiring Harness and Transmission Cord

WIRING SYSTEM

52.Engine Wiring Harness and Transmission Cord

A: LOCATION

1. NON-TURBO MODEL

Connector				Connecting to	
No.	Pole	Color	Area	No.	Name
E1	6	Black	A-4	B20	Bulkhead wiring harness
E2	16	Brown	A-4	B21	
E3	20	Light gray	A-4	B22	
E4	2	Black	A-3		Purge control solenoid valve
E5	2	Light gray	A-2		Fuel injector No. 1
E6	2	Light gray	A-3		Fuel injector No. 3
E7	6	Gray	A-4		Idle air control solenoid valve
E8	3	Light gray	A-3		Engine coolant temperature sensor and thermometer
E10	2	Light gray	B-3		Crankshaft position sensor
E11	1	★	B-2		Oil pressure switch
E12	4	Dark gray	A-2		Ignition coil and ignitor
E13	4	Dark gray	A-4		Throttle position sensor
E14	2	★	A-4		Knock sensor
E15	2	Black	B-4		Camshaft position sensor
E16	2	Light gray	B-4		Fuel injector No. 2
E17	2	Light gray	B-4		Fuel injector No. 4
E18	6	Dark gray	B-4		Exhaust gas recirculation solenoid valve
E19	1	★	B-2		Power steering oil pressure switch
E20	14	Black	A-3		Intake air temperature sensor

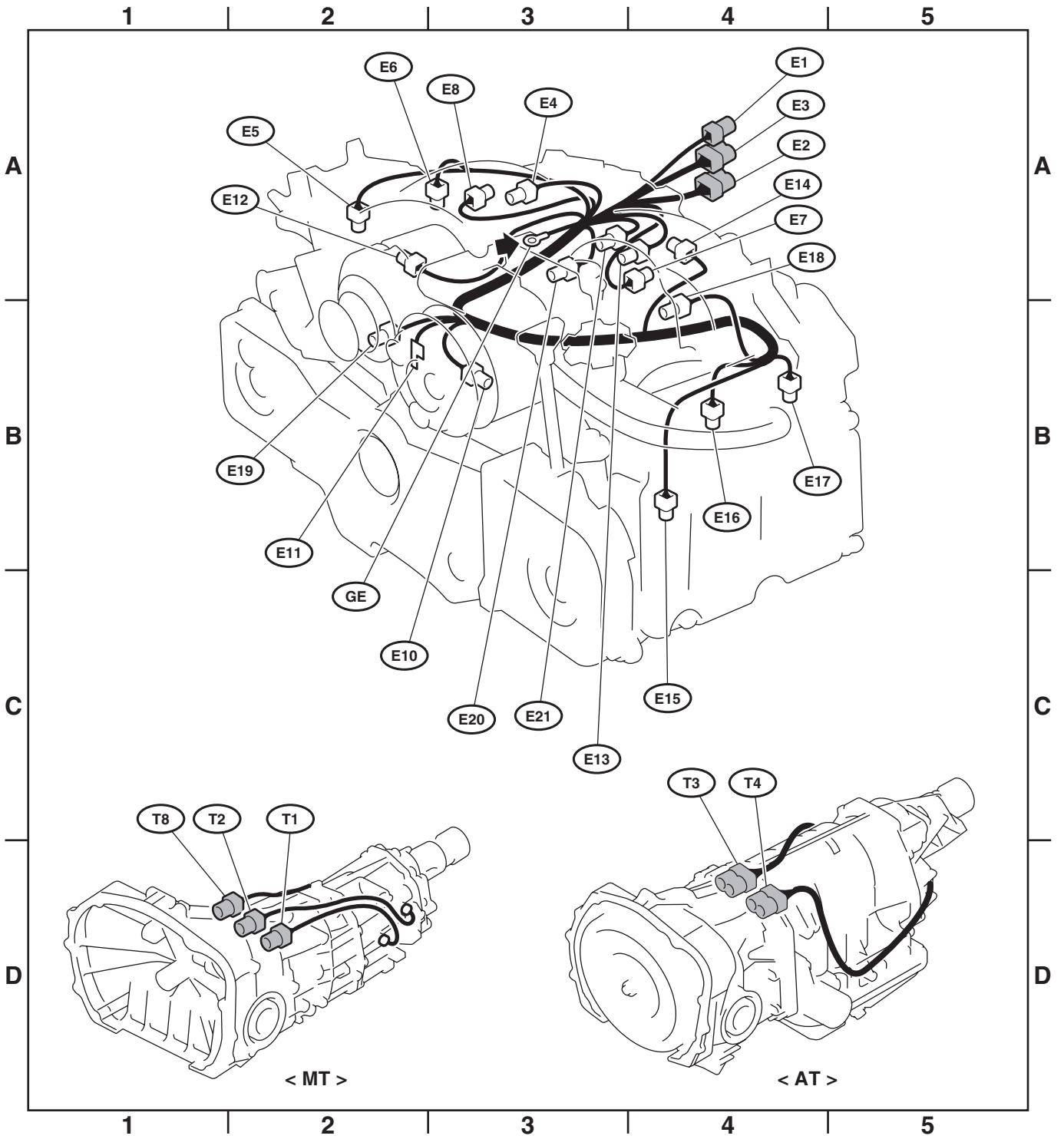
★: Non-colored

Connector				Connecting to	
No.	Pole	Color	Area	No.	Name
T1	2	Gray	D-2	B24	Bulkhead wiring harness (MT model)
T2	2	Brown	D-2	B25	
T3	12	Black	D-4	B12	Bulkhead wiring harness (AT model)
T4	20	Black	D-4	B11	
T8	2	Gray	D-1	B29	Bulkhead wiring harness (MT model)

★: Non-colored

Engine Wiring Harness and Transmission Cord

WIRING SYSTEM



WI-00495

Engine Wiring Harness and Transmission Cord

WIRING SYSTEM

2. TURBO MODEL

Connector				Connecting to	
No.	Pole	Color	Area	No.	Name
E1	10	Light gray	A-2	B20	Bulkhead wiring harness
E2	16	Brown	B-4	F61	Front wiring harness (LHD model)
				B21	Bulkhead wiring harness (RHD model)
E3	20	Black	B-4	F60	Front wiring harness (LHD model)
				B22	Bulkhead wiring harness (RHD model)
E4	2	Black	B-3		Purge control solenoid valve
E5	2	Dark gray	A-2		Fuel injector No. 1
E6	2	Dark gray	A-2		Fuel injector No. 3
E7	3	Light gray	A-3		Idle air control solenoid valve
E8	3	Light gray	B-3		Engine coolant temperature sensor and thermometer
E10	2	Light gray	B-2		Crankshaft position sensor
E11	1	★	B-2		Oil pressure switch
E13	3	Black	A-3		Throttle position sensor
E14	2	Gray	B-4		Knock sensor
E15	2	Light gray	B-4		Camshaft position sensor
E16	2	Dark gray	B-4		Fuel injector No. 2
E17	2	Dark gray	B-4		Fuel injector No. 4
E19	2	★	B-3		Power steering oil pressure switch
E21	3	Black	A-3		Pressure sensor
E31	3	★	A-2		Ignition coil No. 1
E32	3	★	B-4		Ignition coil No. 2
E33	3	Black	A-2		Ignition coil No. 3
E34	3	Black	B-4		Ignition coil No. 4
E35	2	★	A-4		Active valve control camshaft position sensor LH (2.0 L model)
	3	Gray	A-3		Active valve control camshaft position sensor RH (2.5 L model)
E36	2	★	A-3		Active valve control camshaft position sensor RH (2.0 L model)
	3	Gray	A-4		Active valve control camshaft position sensor LH (2.5 L model)
E37	2	Blue	B-4		Active valve control solenoid valve LH
E38	2	Blue	A-3		Active valve control solenoid valve RH
E50	3	Black	B-3		Tumble generator valve angle sensor LH
E51	2	Black	A-4		Tumble generator valve LH
E54	3	Black	A-3		Tumble generator valve angle sensor RH
E55	2	Black	A-2		Tumble generator valve RH
E56	4	★	A-3	B317	Bulkhead wiring harness (2.5 L model)
E57	6	Black	A-3		Electronic throttle (2.5 L model)

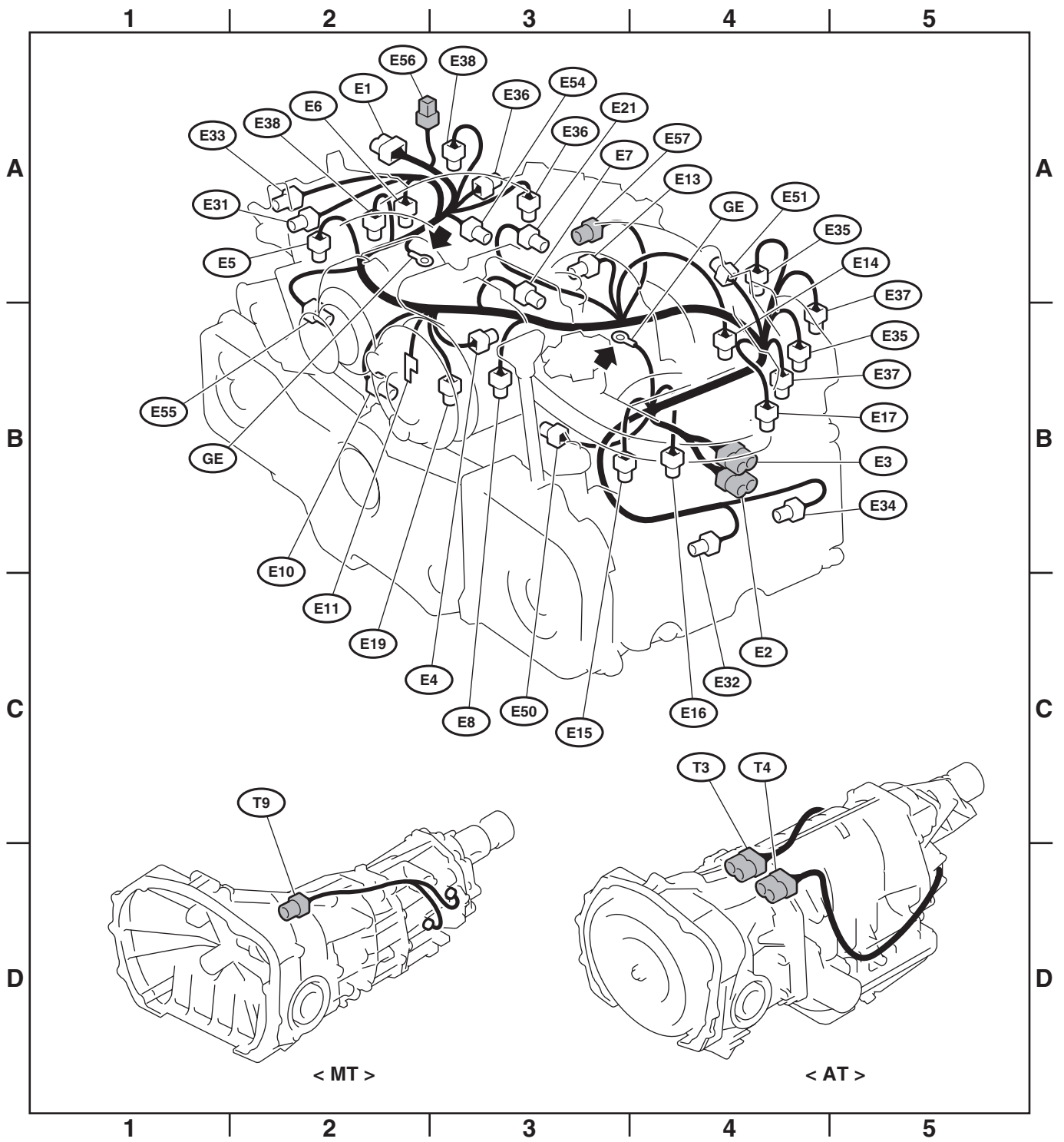
★: Non-colored

Connector				Connecting to	
No.	Pole	Color	Area	No.	Name
T3	12	★	D-4	B12	Bulkhead wiring harness (AT model)
T4	20	Black	D-4	B11	
T9	4	★	D-2	B128	Bulkhead wiring harness (MT model)

★: Non-colored

Engine Wiring Harness and Transmission Cord

WIRING SYSTEM



WI-03384

Instrument Panel Wiring Harness

WIRING SYSTEM

53. Instrument Panel Wiring Harness

A: LOCATION

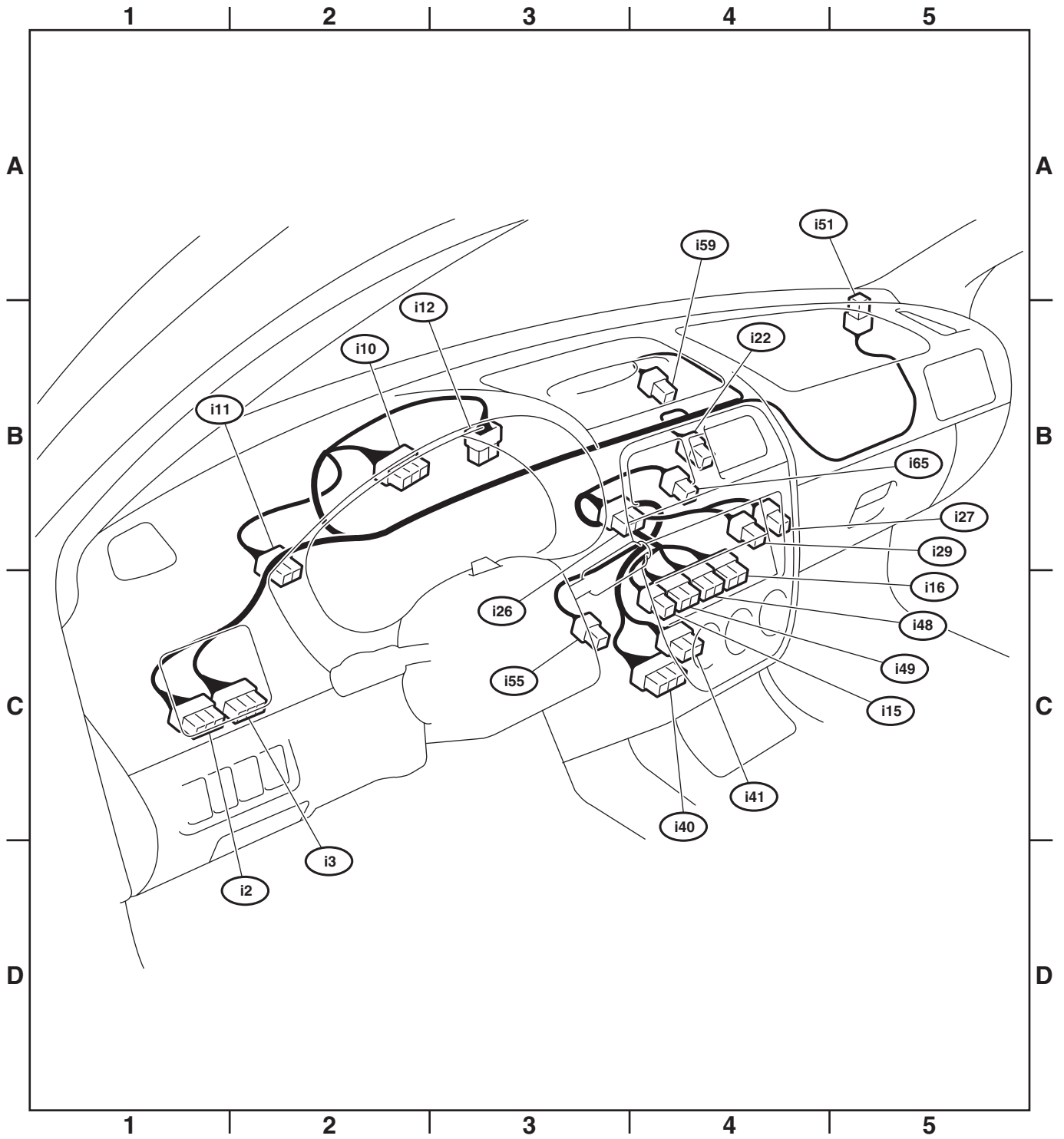
1. LHD MODEL

Connector				Connecting to	
No.	Pole	Color	Area	No.	Name
i2	24	★	C-1	B37	Bulkhead wiring harness
i3	32	★	C-2	B38	
i10	30	Green	B-2		Combination meter
i11	10	Green	B-2		
i12	14	Green	B-3		
i15	6	Black	C-4		Blower fan switch (Manual A/C)
i16	12	★	B-4		Air conditioner switch (Manual A/C)
i22	8	★	B-4		Hazard switch
i26	14	★	B-3		Radio
i27	2	★	B-4		CD player illumination light
i29	1	Black	B-4		Audio ground
i40	24	Black	C-4	B201	Bulkhead wiring harness
i41	20	★	C-4	B202	Bulkhead wiring harness (Manual A/C)
	24	★	C-4	B202	Bulkhead wiring harness (Auto A/C)
i48	16	Gray	C-4		Auto A/C control module
i49	20	Gray	C-4		
i51	2	★	A-5		Sunload sensor (Auto A/C)
i55	2	★	C-3		In-vehicle temperature sensor (Auto A/C)
i59	7	Green	B-4		Clock
i65	6	Black	B-4		Air mix actuator (Auto A/C)

★: Non-colored

Instrument Panel Wiring Harness

WIRING SYSTEM



WI-00497

Instrument Panel Wiring Harness

WIRING SYSTEM

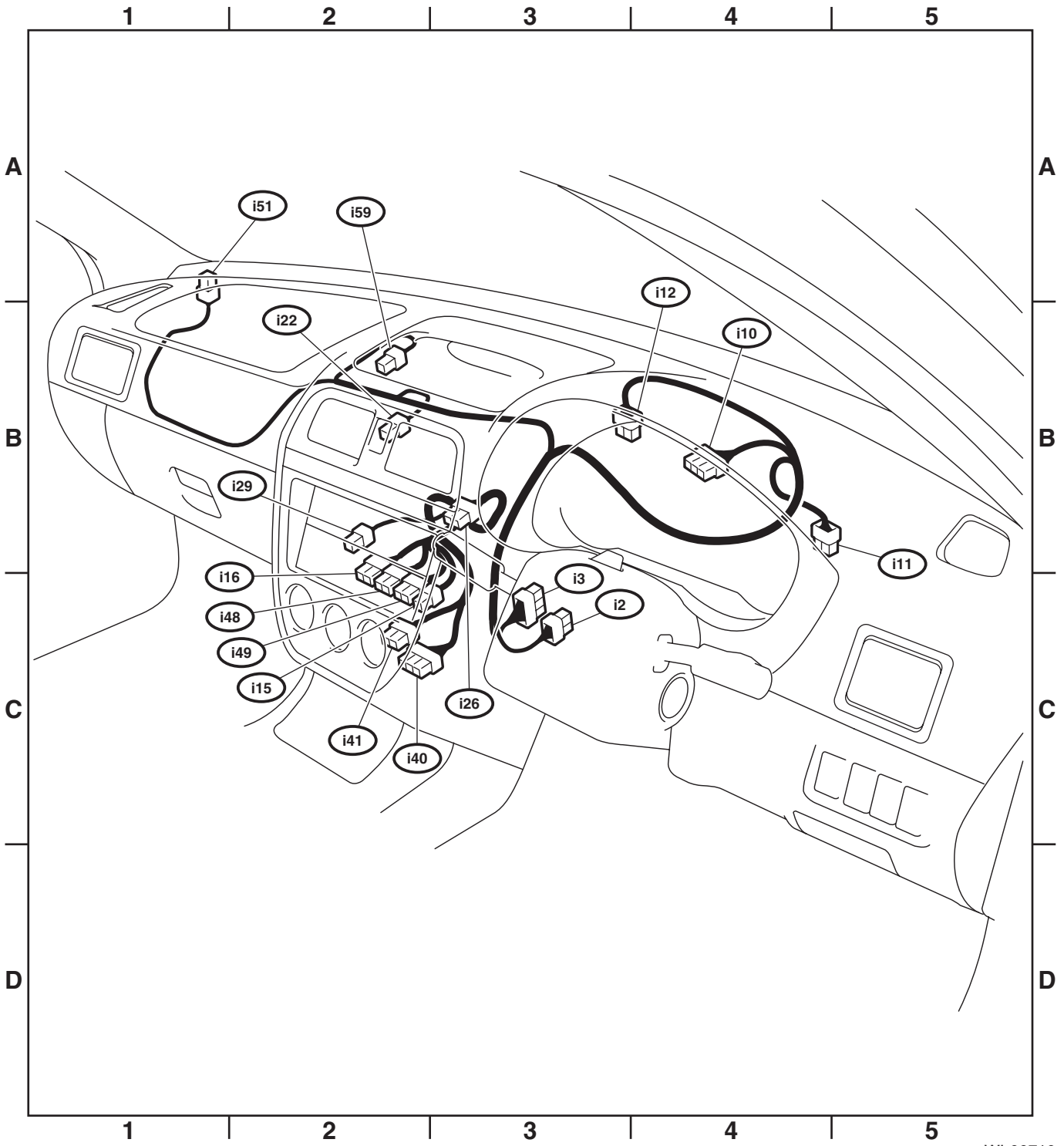
2. RHD MODEL

Connector				Connecting to	
No.	Pole	Color	Area	No.	Name
i2	22	Black	C-3	B37	Bulkhead wiring harness (Non-Turbo AT model)
	18	Black	C-3	B37	Bulkhead wiring harness (MT & Turbo AT model)
i3	32	★	C-3	B38	Bulkhead wiring harness
i10	30	Green	B-4		Combination meter
i11	10	Green	B-4		
i12	14	Green	B-3		
i15	6	★	C-2		Blower fan switch (Manual A/C)
i16	12	★	B-2		Air conditioner switch (Manual A/C)
i22	8	★	B-2		Hazard switch
i26	14	★	B-3		Radio
i29	1	★	B-2		Audio ground
i40	24	Black	C-2	B201	Bulkhead wiring harness
i41	20	★	C-2	B202	Bulkhead wiring harness (Manual A/C)
	24	★	C-2	B202	Bulkhead wiring harness (Auto A/C)
i48	16	★	C-2		Auto A/C control module
i49	20	★	C-2		
i51	2	★	A-1		Sunload sensor (A-A/C)
i59	7	Green	B-2		Clock

★: Non-colored

Instrument Panel Wiring Harness

WIRING SYSTEM



WI-00710

Rear Wiring Harness, Bulkhead Wiring Harness, Roof Cord and Fuel Tank Cord WIRING SYSTEM

54. Rear Wiring Harness, Bulkhead Wiring Harness, Roof Cord and Fuel Tank Cord

A: LOCATION

1. LHD MODEL

• Rear Wiring Harness

Connector				Connecting to	
No.	Pole	Color	Area	No.	Name
R1	8	★	B-2	B97	Bulkhead wiring harness
R2	24	★	B-2	B98	
R3	8	★	B-2	B99	
R4	1	Black	B-3		Parking brake switch
R8	2	★	C-3		Seat belt switch
R15	4	★	B-3	R57	Fuel tank cord
R22	3	★	B-4		Rear door switch LH
R41	4	Blue	B-2		Seat heater RH
R42	4	★	B-2		Seat heater switch RH
R43	4	Blue	B-3		Seat heater switch LH
R44	4	Blue	C-3		Seat heater LH
R72	2	★	B-3		Rear ABS sensor RH
R73	2	★	C-4		Rear ABS sensor LH
R92	6	★	C-2		AT power mode & Hold mode switch
R146	2	★	B-3		Rear accessory power supply socket

★: Non-colored

• Bulkhead Wiring Harness

Connector				Connecting to	
No.	Pole	Color	Area	No.	Name
B97	8	★	B-2	R1	Rear wiring harness
B98	24	★	B-2	R2	
B99	8	★	B-2	R3	
B265	8	★	B-2	D27	Rear door cord RH
B267	3	★	C-3		Front door switch LH
B268	3	★	B-2		Front door switch RH
B269	8	★	C-4	D21	Rear door cord LH

★: Non-colored

• Roof Cord

Connector				Connecting to	
No.	Pole	Color	Area	No.	Name
R50	8	★	B-1	B90	Bulkhead wiring harness
R52	3	★	A-3		Room light
R55	2	★	B-2		Sunroof motor
R56	2	★	B-3		Spot light

★: Non-colored

Rear Wiring Harness, Bulkhead Wiring Harness, Roof Cord and Fuel Tank Cord

WIRING SYSTEM

• Fuel Tank Cord

Connector				Connecting to	
No.	Pole	Color	Area	No.	Name
R57	4	★	B-3	R15	Rear wiring harness
R58	6	★	B-3		Fuel pump assembly
R59	2	★	B-4		Fuel sub level sensor

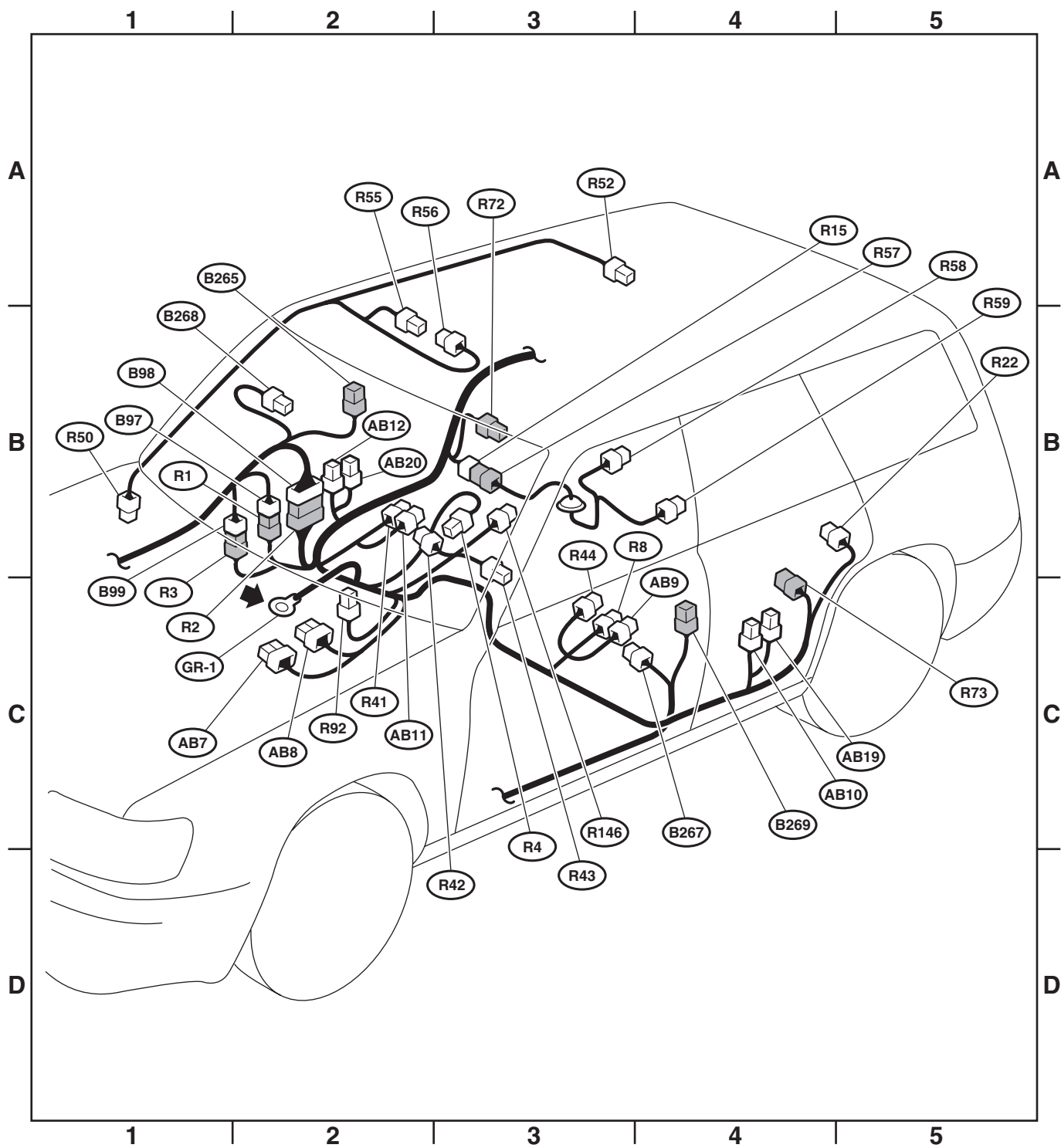
★: Non-colored

• Airbag Wiring Harness

Connector				Connecting to	
No.	Pole	Color	Area	No.	Name
AB7	12	Yellow	C-2		Airbag control module
AB8	12	Yellow	C-2		
AB9	2	Yellow	C-4		Seat airbag module LH
AB10	4	Yellow	C-4		Side sensor LH
AB11	2	Yellow	B-2		Seat airbag module RH
AB12	4	Yellow	B-2		Side sensor RH
AB19	2	Yellow	C-4		Pretensioner LH
AB20	2	Yellow	B-2		Pretensioner RH

Rear Wiring Harness, Bulkhead Wiring Harness, Roof Cord and Fuel Tank Cord

WIRING SYSTEM



WI-03385

Rear Wiring Harness, Bulkhead Wiring Harness, Roof Cord and Fuel Tank Cord

WIRING SYSTEM

2. RHD MODEL

• Rear Wiring Harness

Connector				Connecting to	
No.	Pole	Color	Area	No.	Name
R1	8	★	B-2	B97	Bulkhead wiring harness
R2	32	★	B-2	B98	
R4	1	★	B-3		Parking brake switch
R8	2	★	B-2		Seat belt switch
R15	4	★	B-3	R57	Fuel tank cord
R22	3	★	B-4		Rear door switch LH
R41	4	Blue	C-3		Seat heater RH
R42	4	Blue	B-3		Seat heater switch LH
R43	4	★	B-2		Seat heater switch LH
R44	4	Blue	B-2		Seat heater RH
R72	2	★	B-3		Rear ABS sensor RH
R73	2	★	C-4		Rear ABS sensor LH
R146	2	★	B-3		Rear accessory power supply socket

★: Non-colored

• Bulkhead Wiring Harness

Connector				Connecting to	
No.	Pole	Color	Area	No.	Name
B97	8	Black	B-2	R1	Rear wiring harness
B98	32	★	B-2	R2	
B265	8	★	B-2	D27	Rear door cord RH
B267	3	★	B-2		Front door switch RH
B268	3	★	C-3		Front door switch LH
B269	8	★	C-4	D21	Rear door cord LH

★: Non-colored

• Roof Cord

Connector				Connecting to	
No.	Pole	Color	Area	No.	Name
R50	8	★	B-1	B90	Bulkhead wiring harness
R52	3	★	A-3		Room light
R55	2	★	B-2		Sunroof motor
R56	2	★	B-3		Spot map light

★: Non-colored

• Fuel Tank Cord

Connector				Connecting to	
No.	Pole	Color	Area	No.	Name
R57	4	★	B-3	R15	Rear wiring harness
R58	6	★	B-3		Fuel pump assembly
R59	2	★	B-4		Fuel sub level sensor

★: Non-colored

Rear Wiring Harness, Bulkhead Wiring Harness, Roof Cord and Fuel Tank Cord

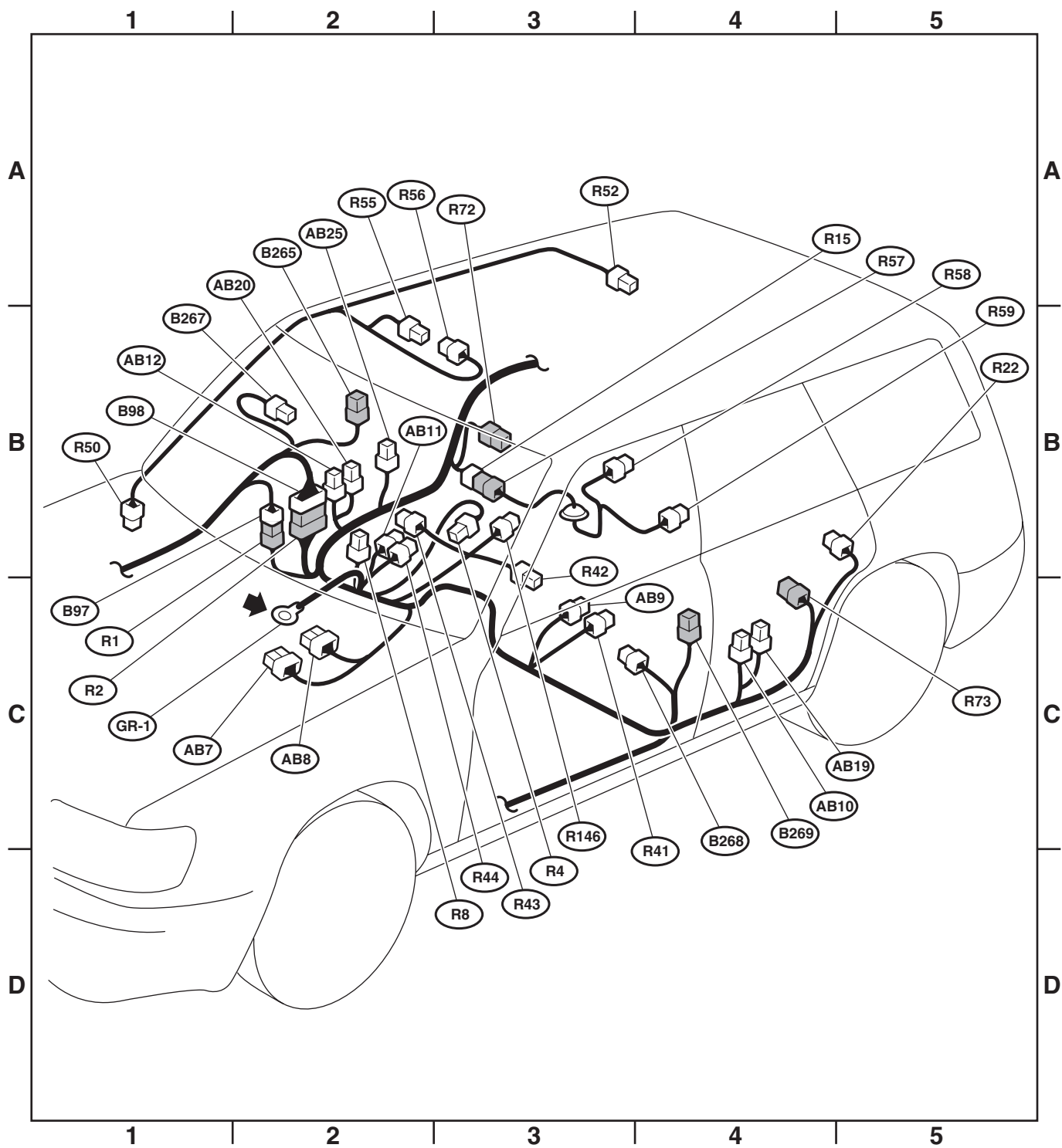
WIRING SYSTEM

• Airbag Wiring Harness

Connector				Connecting to	
No.	Pole	Color	Area	No.	Name
AB7	12	Yellow	C-2		Airbag control module
AB8	12	Yellow	C-2		
AB9	2	Yellow	C-3		Seat airbag module LH
AB10	4	Yellow	C-4		Side sensor LH
AB11	2	Yellow	B-2		Seat airbag module RH
AB12	4	Yellow	B-2		Side sensor RH
AB19	2	Yellow	C-4		Pretensioner LH
AB20	2	Yellow	B-2		Pretensioner RH
AB25	2	Orange	B-2		Lap seat belt pretensioner RH

Rear Wiring Harness, Bulkhead Wiring Harness, Roof Cord and Fuel Tank Cord

WIRING SYSTEM



WI-03793

Door Cord

WIRING SYSTEM

55. Door Cord

A: LOCATION

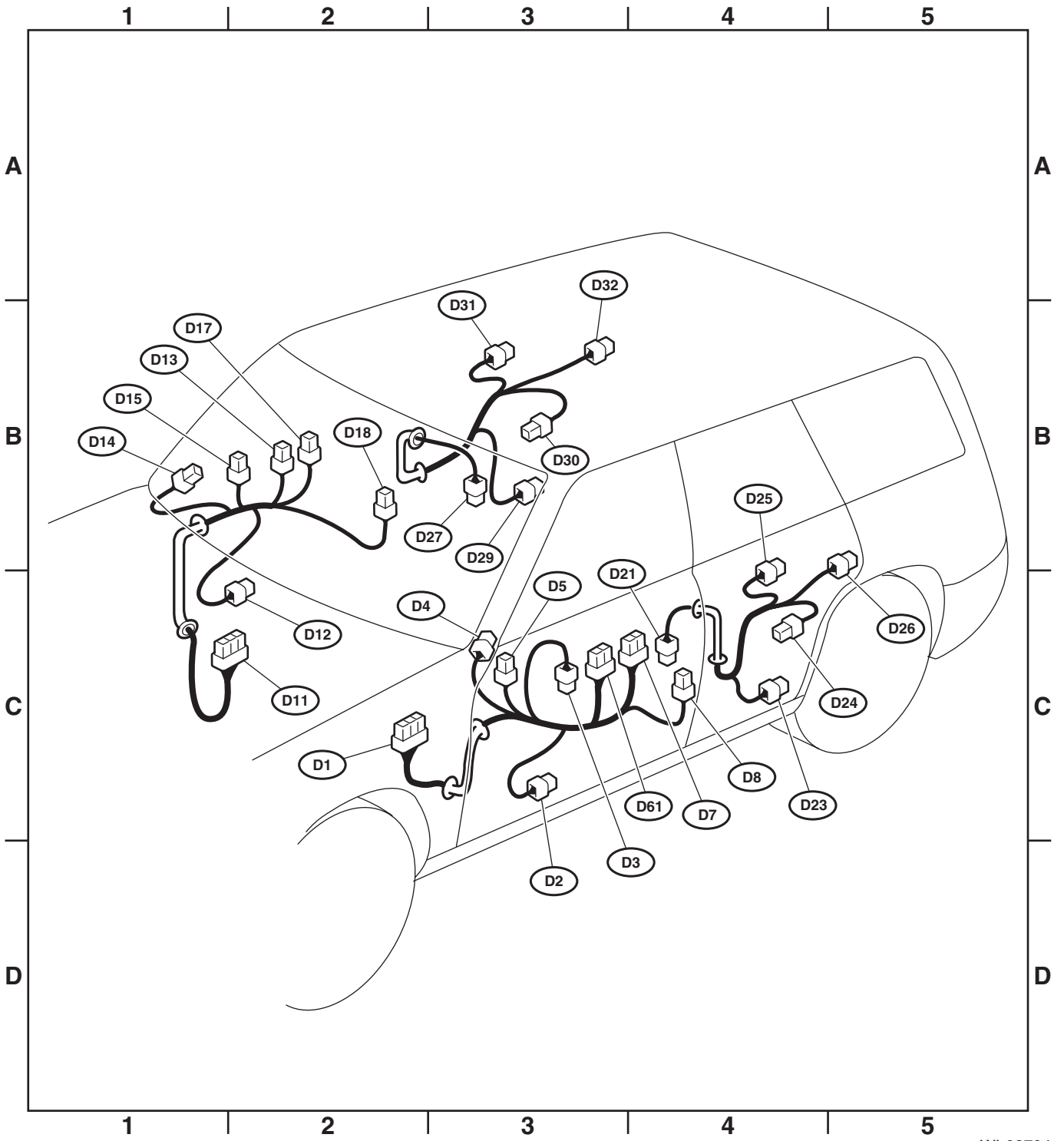
1. LHD MODEL

Connector				Connecting to	
No.	Pole	Color	Area	No.	Name
D1	25	★	C-2	B30	Bulkhead wiring harness
D2	2	★	C-3		Front door speaker (Driver side)
D3	2	Green	C-3		Front power window motor (Driver side)
D4	2	Black	C-3		Front door tweeter (Driver side)
D5	6	★	C-3		Remote control rearview mirror (Without mirror heater)
	8	★	C-3		Remote control rearview mirror (With mirror heater)
D7	16	★	C-4		Power window main switch
D8	4	★	C-4		Front door lock actuator LH
D11	25	★	C-1	B101	Bulkhead wiring harness
D12	2	★	C-2		Front door speaker RH
D13	2	Green	B-2		Front power window motor RH
D14	2	Black	B-1		Front door tweeter RH
D15	6	★	B-2		Remote control rearview mirror RH (Without mirror heater)
	8	★	B-2		Remote control rearview mirror RH (With mirror heater)
D17	8	★	B-2		Front power window sub switch RH
D18	4	★	B-2		Front door lock actuator RH
D21	8	★	C-4	B269	Bulkhead wiring harness
D23	2	★	C-4		Rear door speaker LH
D24	2	Green	C-4		Rear power window motor LH
D25	8	★	C-4		Rear power window sub switch LH
D26	4	★	B-5		Rear door lock actuator LH
D27	4	★	B-3	B265	Bulkhead wiring harness
D29	2	★	B-3		Rear door speaker RH
D30	2	Green	B-3		Rear power window motor RH
D31	8	★	B-3		Rear power window sub switch RH
D32	4	★	B-3		Rear door lock actuator RH
D62	10	★	C-3		Remote control rearview mirror switch

★: Non-colored

Door Cord

WIRING SYSTEM



WI-03794

Door Cord

WIRING SYSTEM

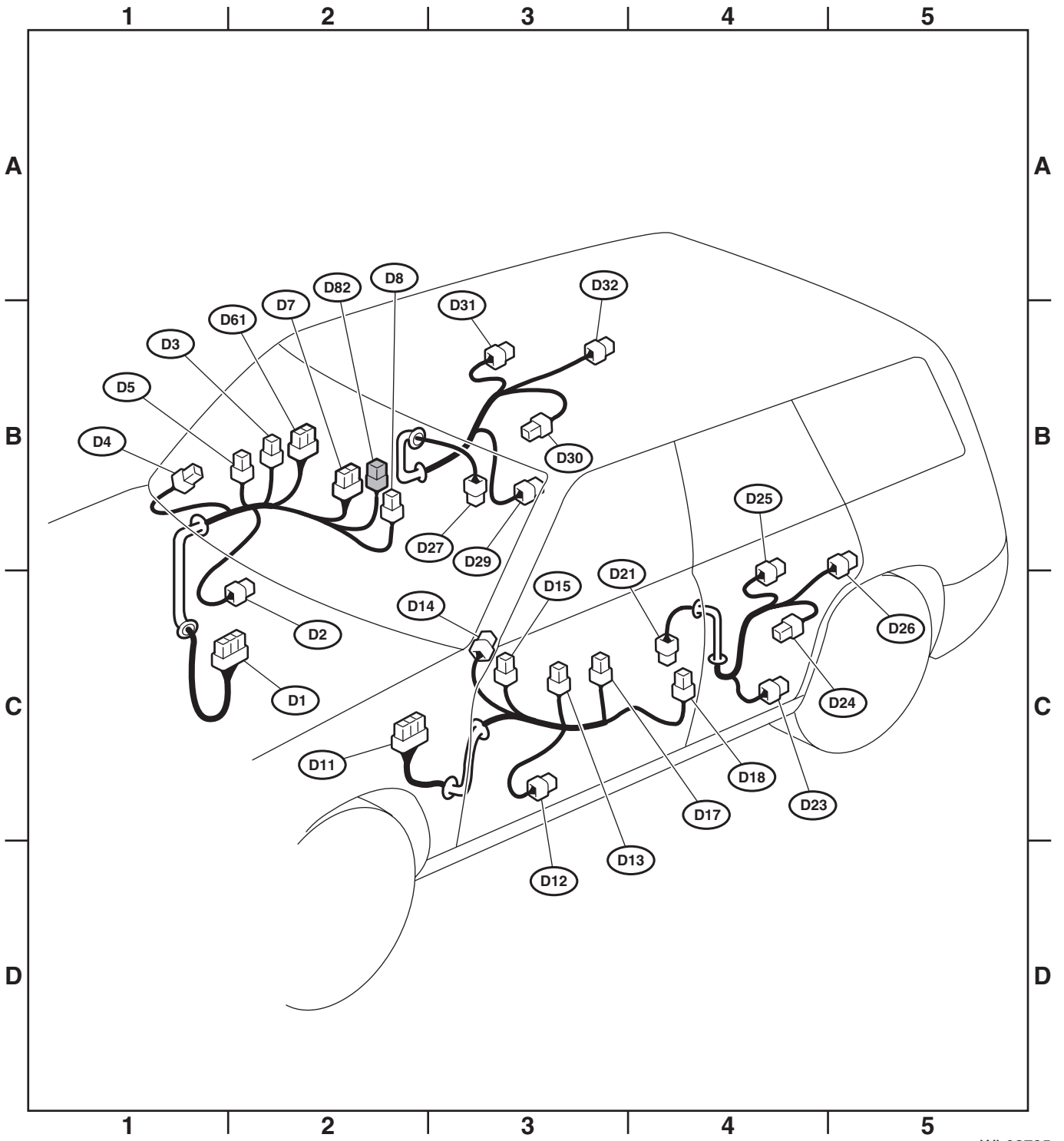
2. RHD MODEL

Connector				Connecting to		
No.	Pole	Color	Area	No.	Name	
D1	25	★	C-2	B30	Bulkhead wiring harness	
D2	2	★	C-2		Front door speaker (Driver side)	
D3	2	Green	B-2		Front power window motor (Driver side)	
D4	2	Black	B-1		Front door tweeter (Driver side)	
D5	6	★	B-2		Remote control rearview mirror (Without mirror heater)	
	8	Black	B-2		Remote control rearview mirror (With mirror heater)	
D7	16	★	B-2		Power window main switch	
D8	4	★	B-2		Front door lock actuator RH (Without double lock)	
	6	Black	B-2		Front door lock actuator RH (With double lock)	
D11	25	★	D-2	B101	Bulkhead wiring harness	
D12	2	★	D-3		Front door speaker LH	
D13	2	Green	C-3		Front power window motor LH	
D14	2	Black	C-3		Front door tweeter LH	
D15	6	★	C-3		Remote control rearview mirror LH (Without mirror heater)	
	8	★	C-3		Remote control rearview mirror LH (With mirror heater)	
D17	8	★	C-3		Front power window sub switch LH	
D18	4	★	C-4		Front door lock actuator LH (Without double lock)	
	6	Black	C-4		Front door lock actuator LH (With double lock)	
D21	8	★	C-4		B269	Bulkhead wiring harness
D23	2	Green	C-4			Rear door speaker LH
D24	2	★	C-4			Rear power window motor LH
D25	8	★	B-4			Rear power window sub switch LH
D26	4	★	B-5			Rear door lock actuator LH (Without double lock)
	6	Black	B-5	Rear door lock actuator LH (With double lock)		
D27	8	★	B-3	B265		Bulkhead wiring harness
D29	2	★	B-3			Rear door speaker RH
D30	2	Green	B-3			Rear power window motor RH
D31	8	★	B-3			Rear power window sub switch RH
D32	4	★	B-3		Rear door lock actuator RH (Without double lock)	
	6	Black	B-3		Rear door lock actuator RH (With double lock)	
D61	10	★	B-2			Remote controlled rearview mirror switch
D82	3	Brown	B-2		R81	Key cylinder switch

★: Non-colored

Door Cord

WIRING SYSTEM



WI-03795

Rear Wiring Harness and Rear Gate Cord

WIRING SYSTEM

56. Rear Wiring Harness and Rear Gate Cord

A: LOCATION

• Rear Wiring Harness

Connector				Connecting to	
No.	Pole	Color	Area	No.	Name
R16	3	★	C-5		Rear door switch RH
R26	6	★	C-4		Rear combination light RH
R28	6	★	C-1		Rear combination light LH
R30	2	Black	C-4		Diode (Luggage room light)
R32	2	★	C-4		Rear accessory power supply socket
R38	4	★	C-4	D33	Rear gate cord
R39	8	★	C-4	D34	
R40	2	★	C-4	D36	Rear gate cord (RHD model)
R79	10	★	D-4		Trailer connector
R113	1	★	B-2		Antenna amp.
R116	8	★	C-4		Rear wiper intermittent module
R122	10	Black	C-4		Fuel pump control module (Turbo model)
R147	5	★	B-4		Ground joint connector (LHD model)
R148	2	★	C-4		Rear differential oil temperature sensor (Turbo model)

★: Non-colored

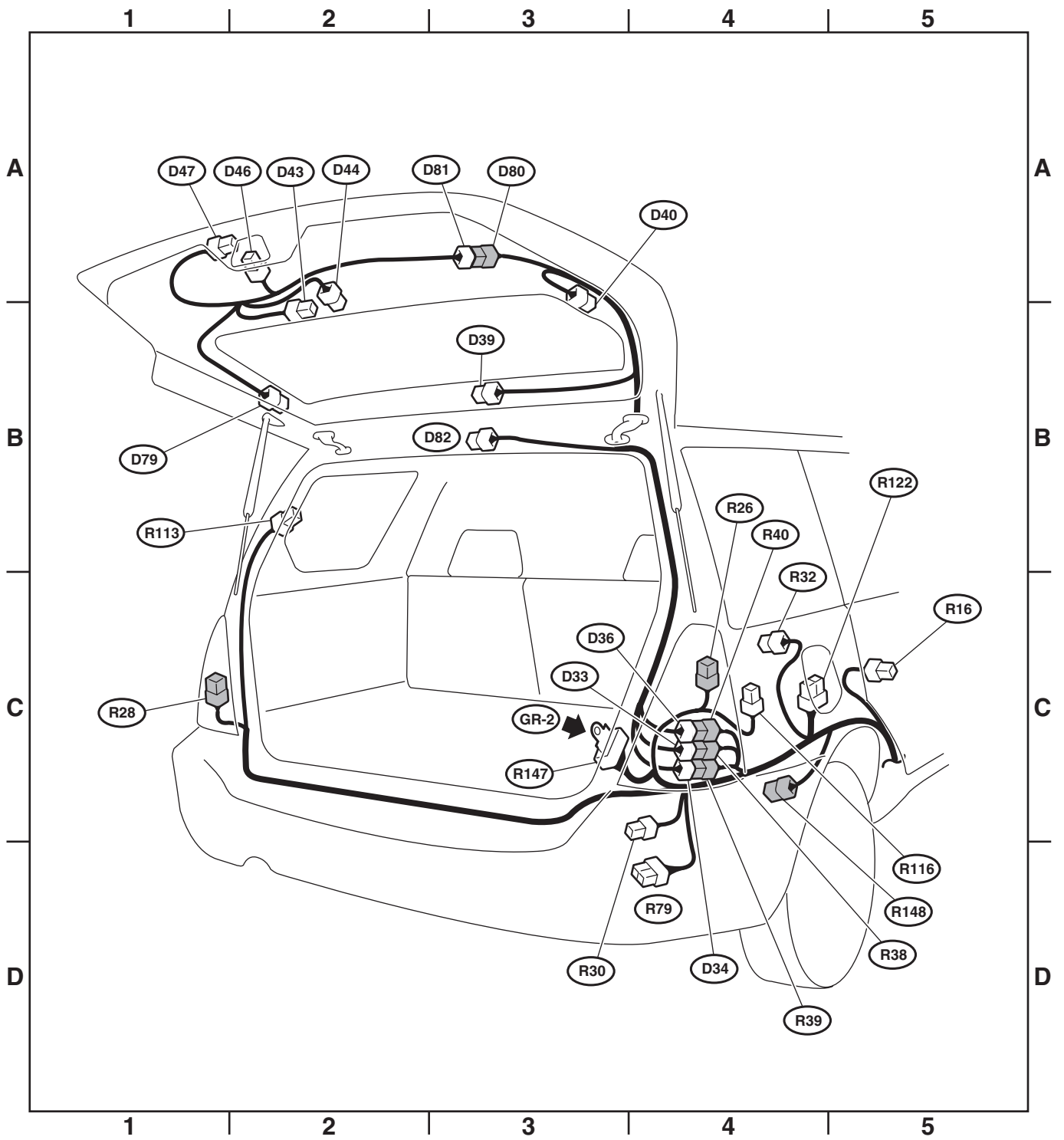
• Rear Gate Cord

Connector				Connecting to	
No.	Pole	Color	Area	No.	Name
D33	4	★	C-4	R38	Rear wiring harness
D34	8	★	C-4	R39	
D36	2	★	C-4	R40	Rear wiring harness (RHD model)
D39	2	Black	B-3		High-mounted stop light
D40	1	Black	A-3		Rear defogger
D43	4	★	B-2		Rear wiper motor
D44	2	★	A-2		License plate light
D46	2	Black	A-2		Rear gate latch switch
D47	4	★	A-1		Rear gate lock actuator
D79	1	Black	B-2		Rear defogger
D80	8	★	A-3	D81	Rear gate cord
D81	8	★	A-3	D80	
D82	3	★	B-3		Luggage room light

★: Non-colored

Rear Wiring Harness and Rear Gate Cord

WIRING SYSTEM



WI-03796

