

WIRING SYSTEM SECTION

WIRING SYSTEM

WI

This service manual has been prepared to provide SUBARU service personnel with the necessary information and data for the correct maintenance and repair of SUBARU vehicles.

This manual includes the procedures for maintenance, disassembling, reassembling, inspection and adjustment of components and diagnostics for guidance of experienced mechanics.

Please peruse and utilize this manual fully to ensure complete repair work for satisfying our customers by keeping their vehicle in optimum condition. When replacement of parts during repair work is needed, be sure to use SUBARU genuine parts.

All information, illustration and specifications contained in this manual are based on the latest product information available at the time of publication approval.

WIRING SYSTEM



	Page
1. Basic Diagnostics Procedure	3
2. Working Precautions	14
3. Power Supply Routing.....	15
4. Ground Distribution	29
5. Airbag System.....	52
6. Air Conditioning System.....	58
7. Anti-lock Brake System	70
8. AT Control System	77
9. Audio System	101
10. Charging System.....	105
11. Combination Meter.....	106
12. Cruise Control System	110
13. Engine Electrical System	120
14. Fuel Gauge System	186
15. Full-Time Dual-Range System	188
16. Front Accessory Power Supply System	190
17. Headlight Beam Leveler System.....	191
18. Horn System	193
19. Immobilizer System.....	194
20. Door Lock System.....	198
21. Keyless Entry System	200
22. Back-up Light System	209
23. Clearance Light and Illumination Light System	210
24. Front Fog Light System.....	219
25. Headlight System	221
26. Headlight Washer System.....	223
27. In Compartment Light System.....	224
28. Stop Light System	228
29. Turn Signal Light and Hazard Light System.....	229
30. Oil Pressure Warning Light System	233
31. Rear Differential Oil Temperature Warning Light System	235
32. Outside Temperature Display System	236
33. Parking Brake and Brake Fluid Level Warning System	238
34. Power Window System	240
35. Radiator Fan System	248
36. Rear Fog Light System	249
37. Rear Window Defogger System.....	251
38. Remote Controlled Rearview Mirror System.....	253
39. Seat Belt Warning System	255
40. Seat Heater System	257
41. Security System	259
42. Starter System	261
43. Sunroof System.....	263

WIRING SYSTEM

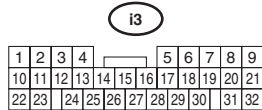
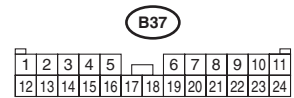
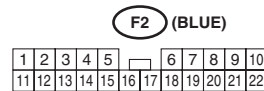
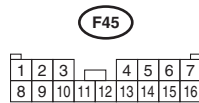
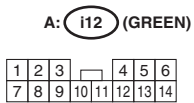
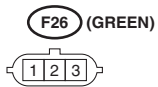
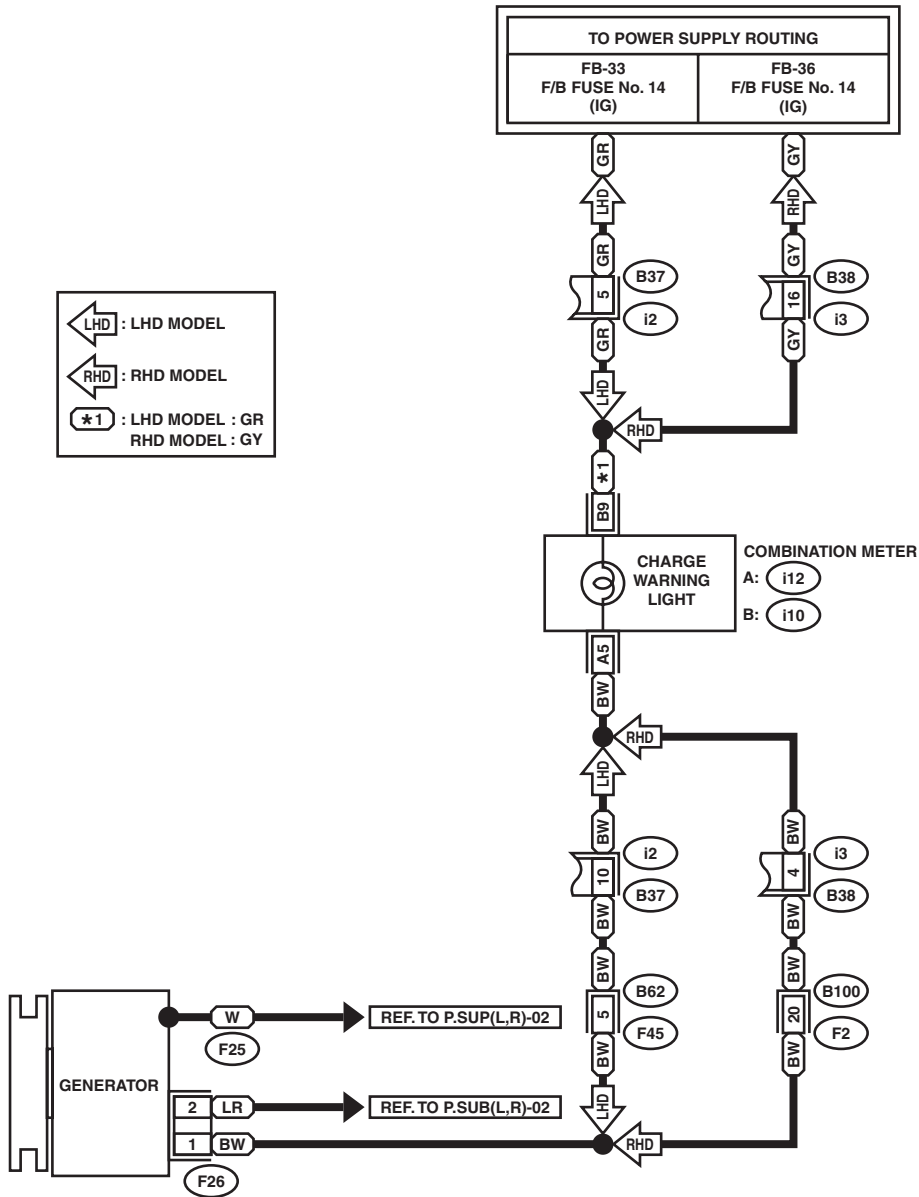
44.	Wiper and Washer System (Front).....	264
45.	Wiper and Washer System (Rear)	265
46.	Rear Accessory Power Supply System.....	266
47.	Wiper Deicer System (Rear)	267
48.	Harness Components Location.....	268
49.	Front Wiring Harness	270
50.	Bulkhead Wiring Harness (In Engine Room)	274
51.	Bulkhead Wiring Harness (In Compartment)	282
52.	Engine Wiring Harness and Transmission Cord	288
53.	Instrument Panel Wiring Harness	292
54.	Rear Wiring Harness, Bulkhead Wiring Harness, Roof Cord and Fuel Tank Cord.....	296
55.	Door Cord.....	302
56.	Rear Wiring Harness and Rear Gate Cord	306

10.Charging System

A: WIRING DIAGRAM

CHG-01

CHG-01



Combination Meter

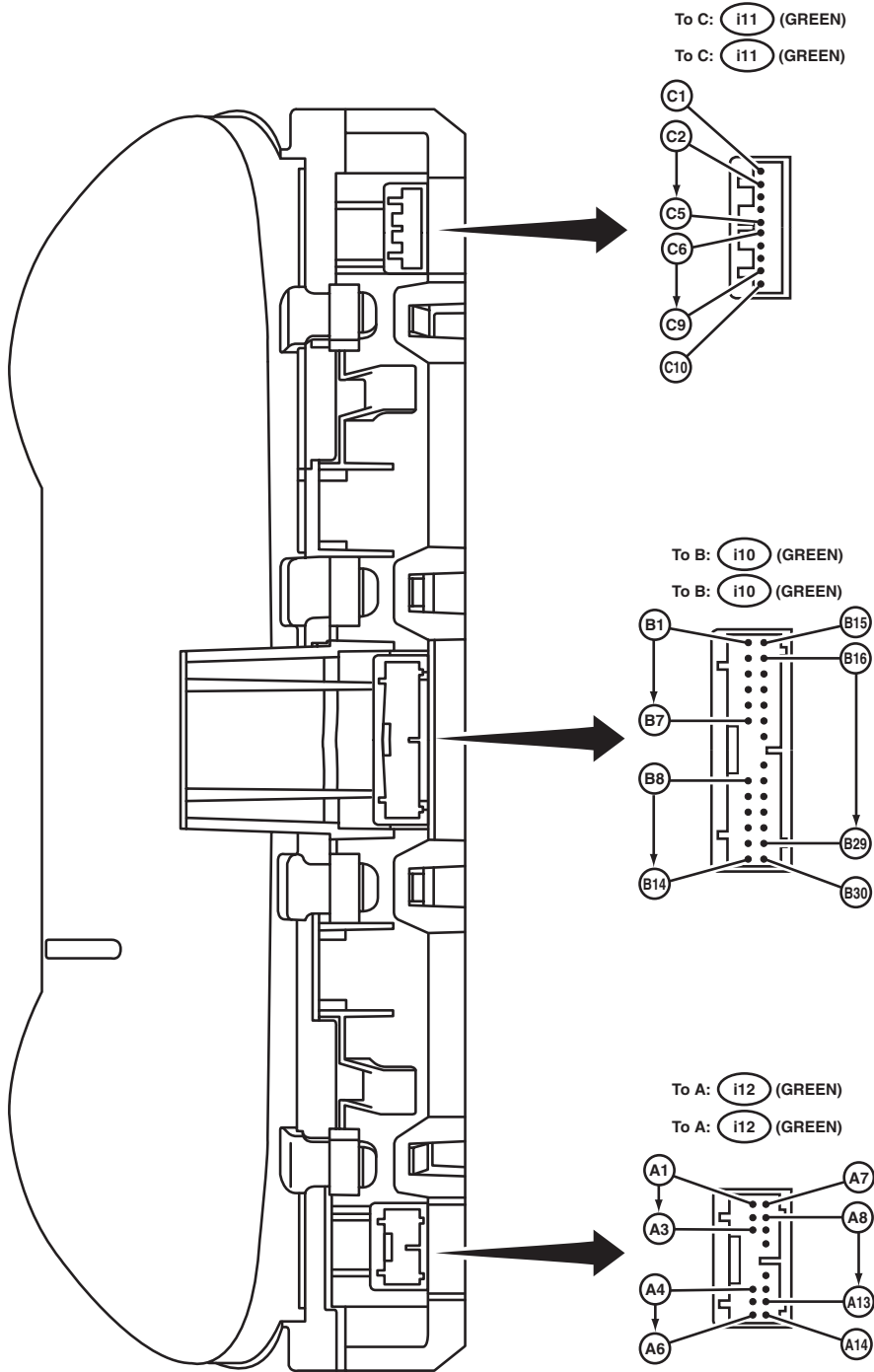
WIRING SYSTEM

11. Combination Meter

A: WIRING DIAGRAM

METER-01

METER-01



WI-00329

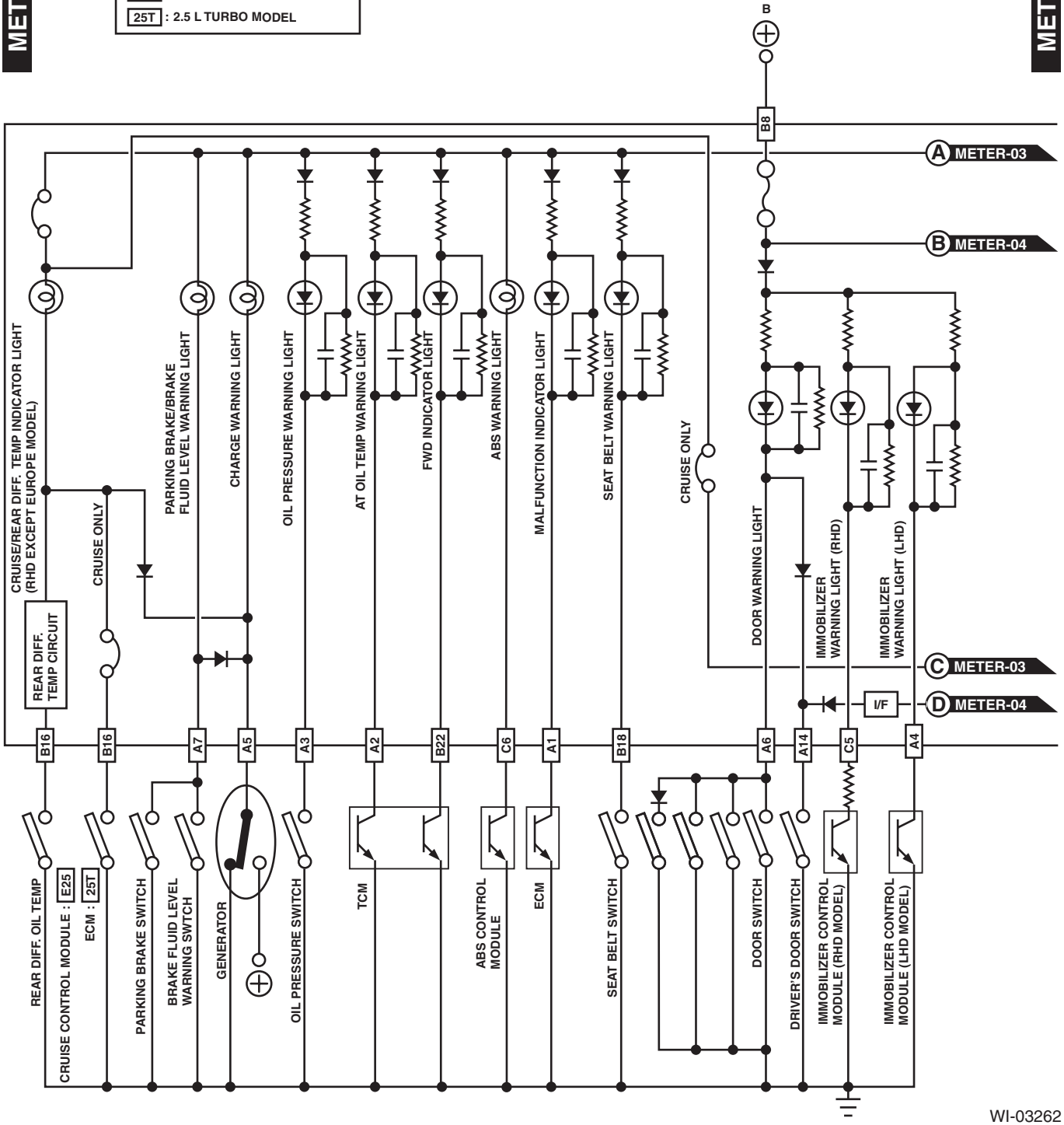
Combination Meter

WIRING SYSTEM

METER-02

METER-02

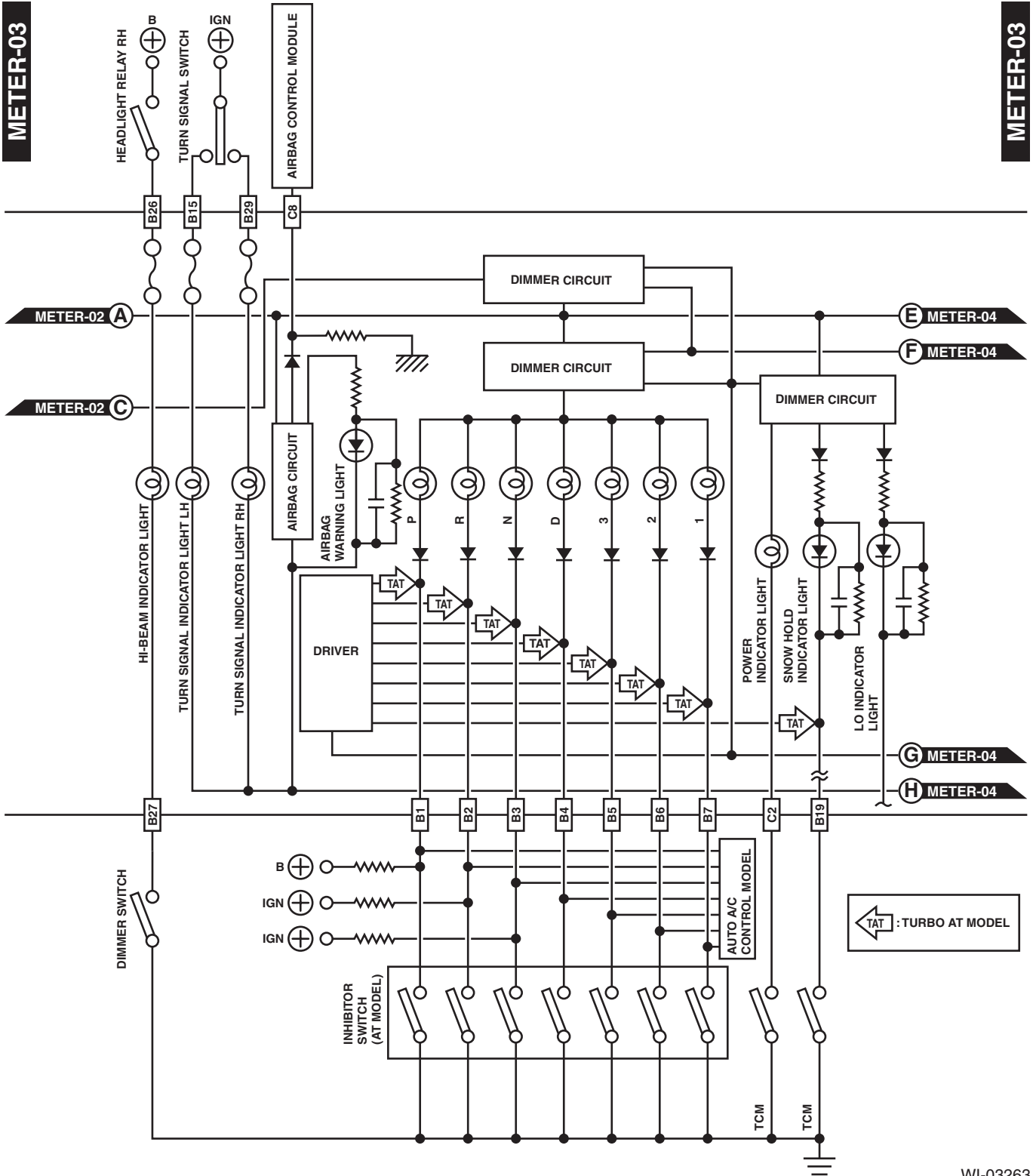
E25 : EXCEPT 2.5 L TURBO MODEL
 25T : 2.5 L TURBO MODEL



WI-03262

Combination Meter

WIRING SYSTEM



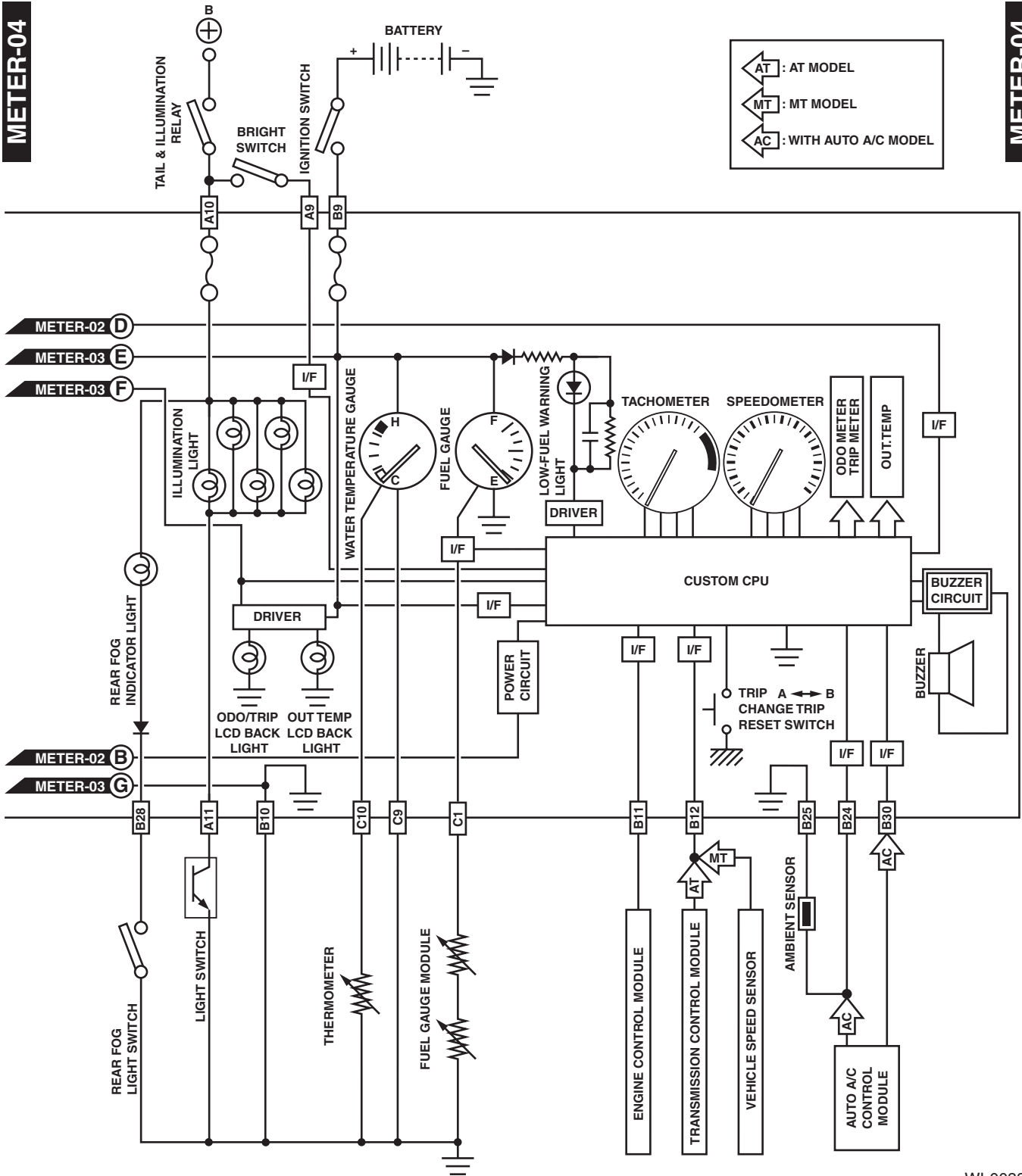
WI-03263

Combination Meter

WIRING SYSTEM

METER-04

METER-04



WI-00332

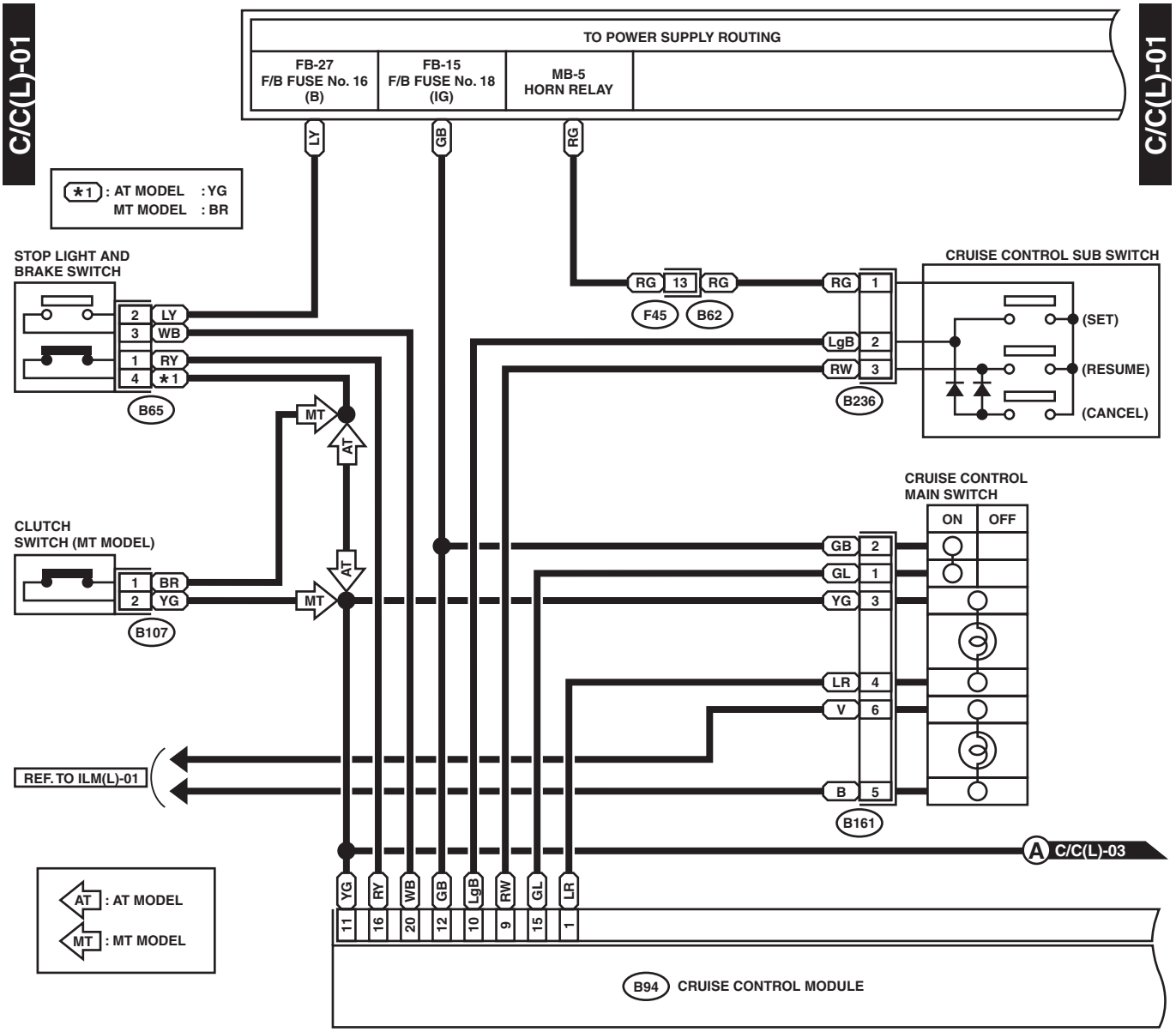
Cruise Control System

WIRING SYSTEM

12. Cruise Control System

A: WIRING DIAGRAM

1. LHD MODEL



(B107) (BLUE)



(B65) (BLACK)



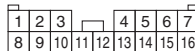
(B236) (BLACK)



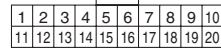
(B161) (BROWN)



(F45)



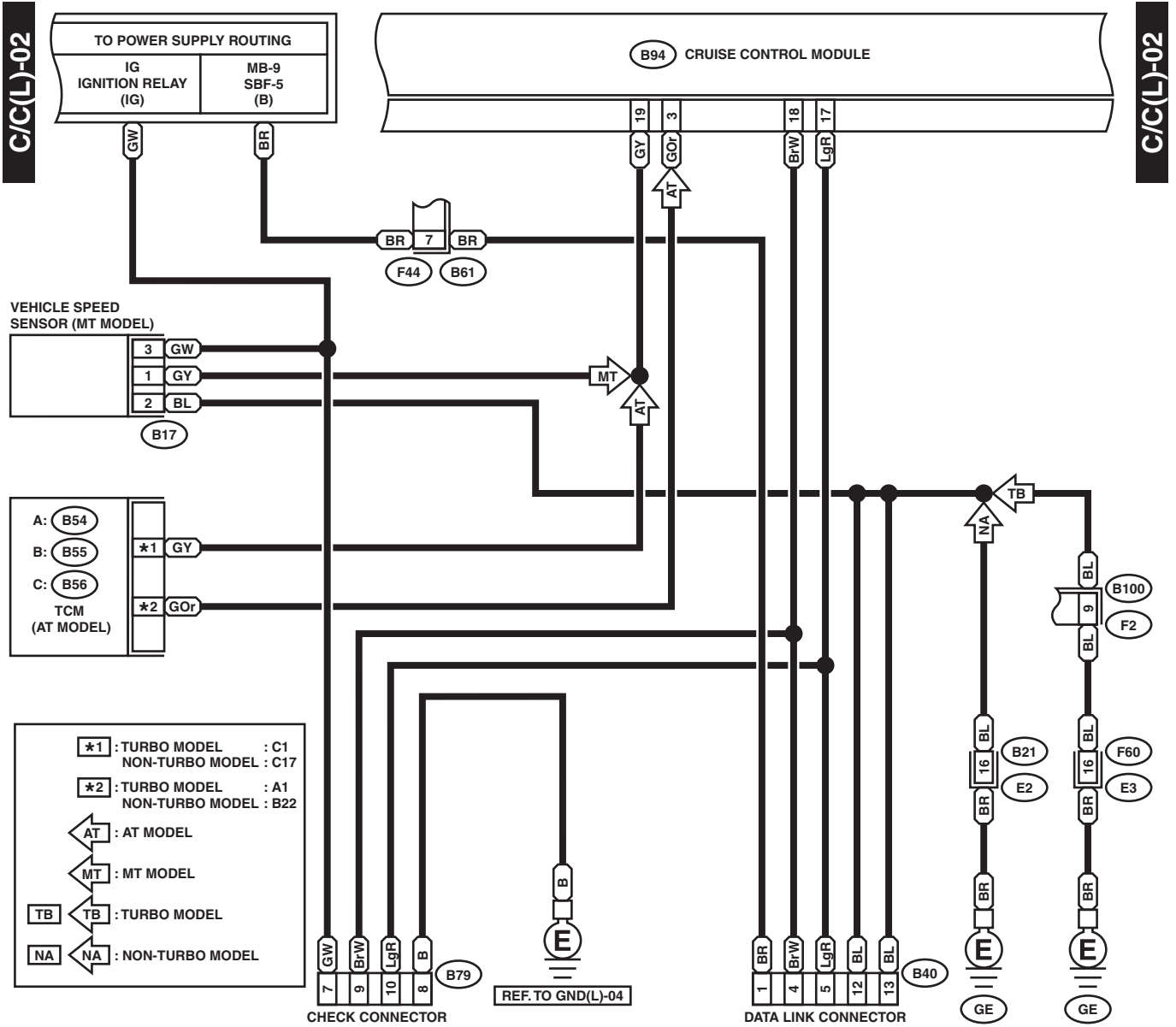
(B94) (BLACK)



WI-03264

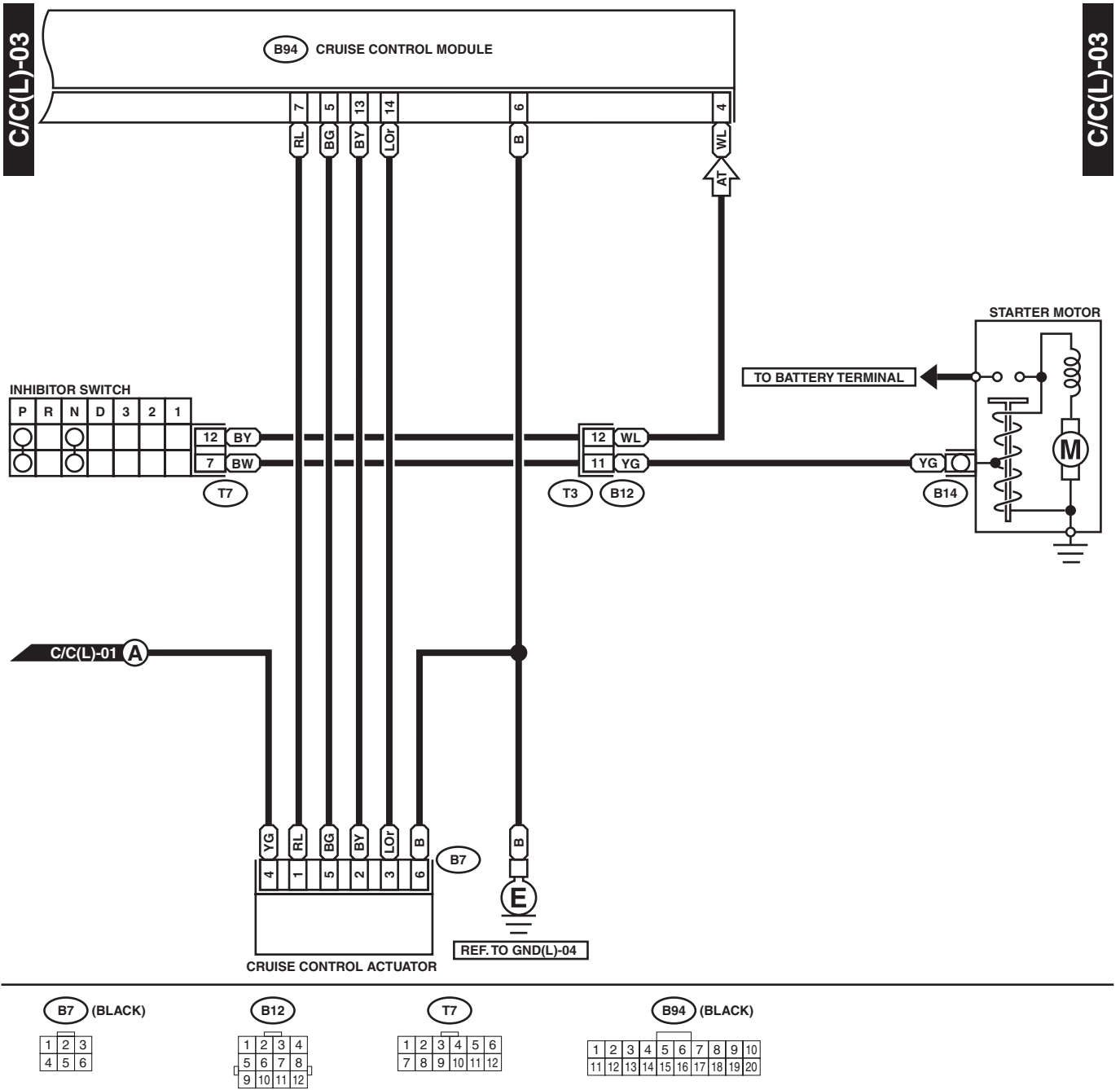
Cruise Control System

WIRING SYSTEM



Cruise Control System

WIRING SYSTEM

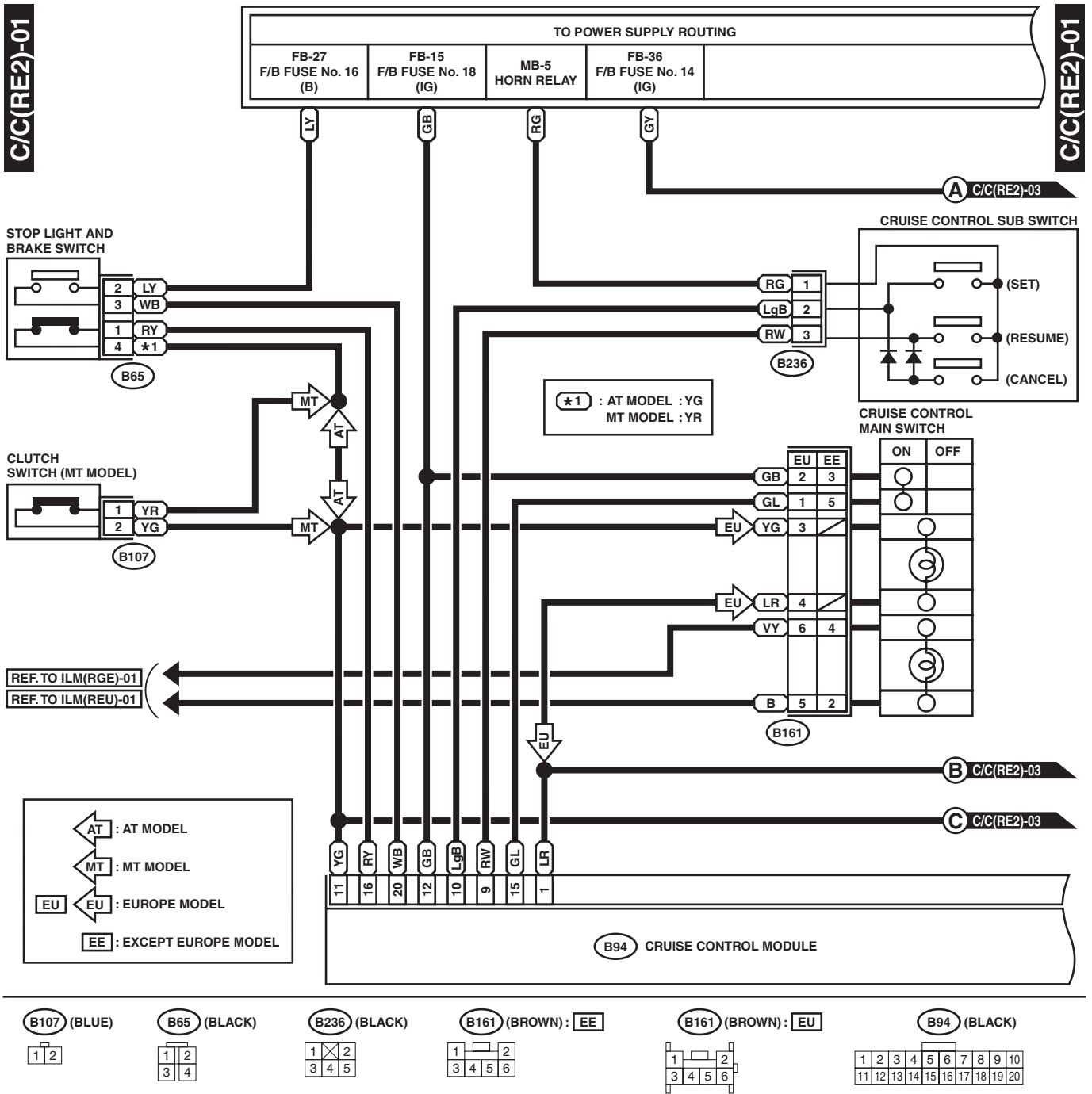


WI-00341

Cruise Control System

WIRING SYSTEM

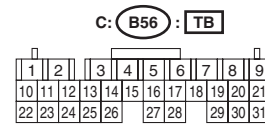
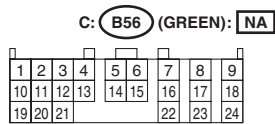
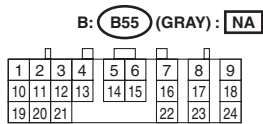
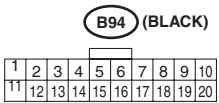
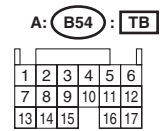
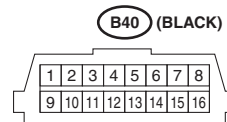
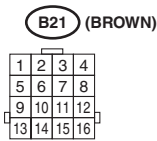
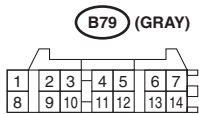
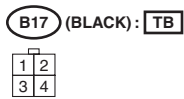
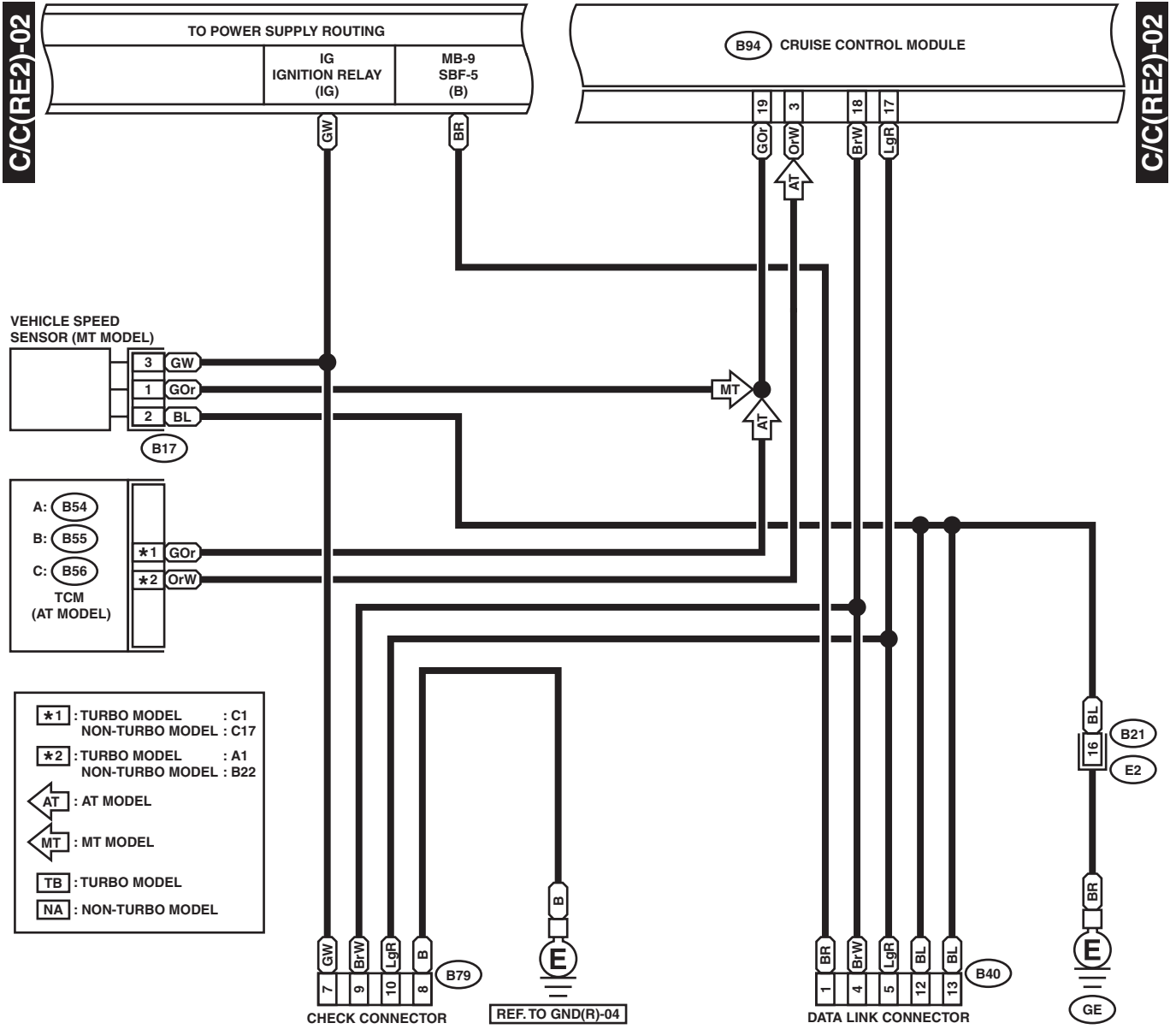
2. EXCEPT RHD 2.5 L TURBO MODEL



WI-03266

Cruise Control System

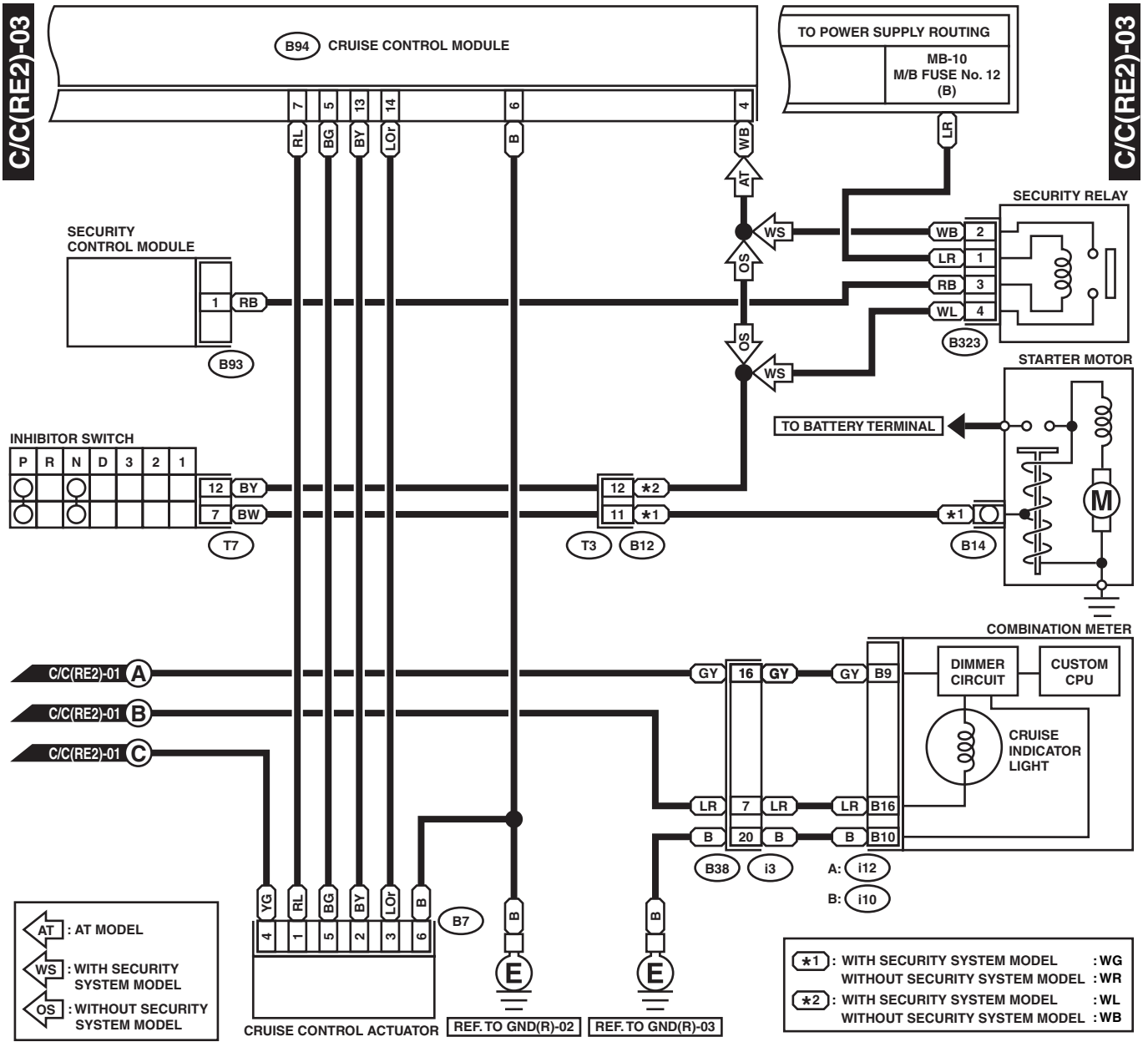
WIRING SYSTEM



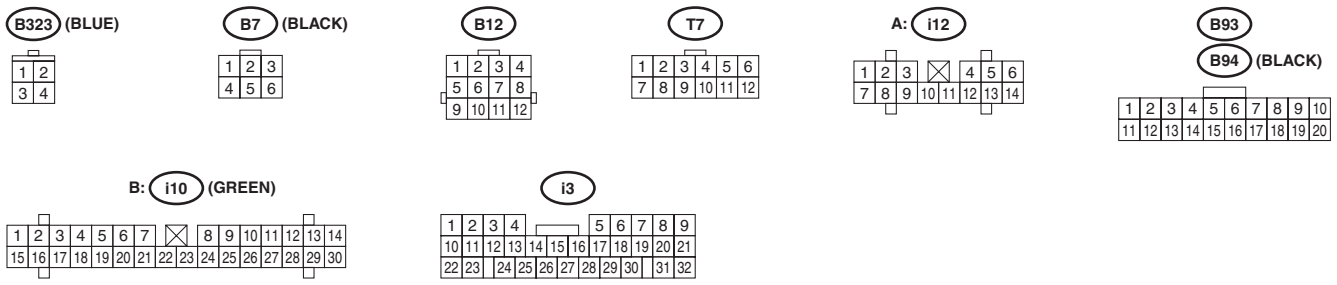
WI-03267

Cruise Control System

WIRING SYSTEM



C/C(RE2)-03

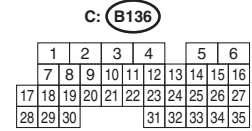
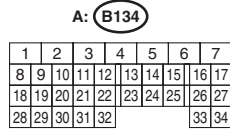
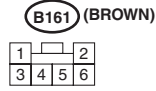
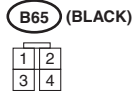
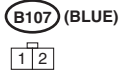
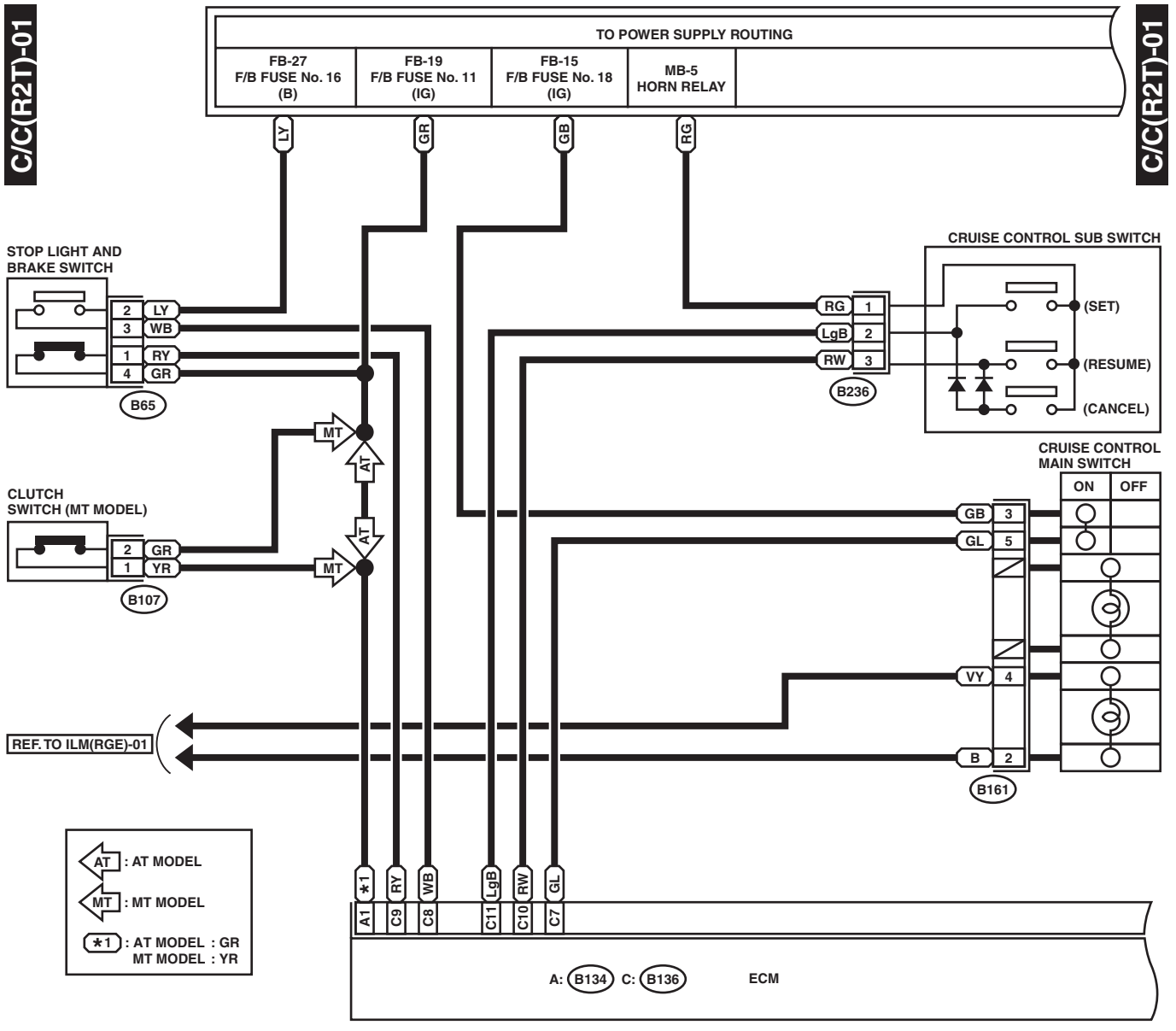


WI-03268

Cruise Control System

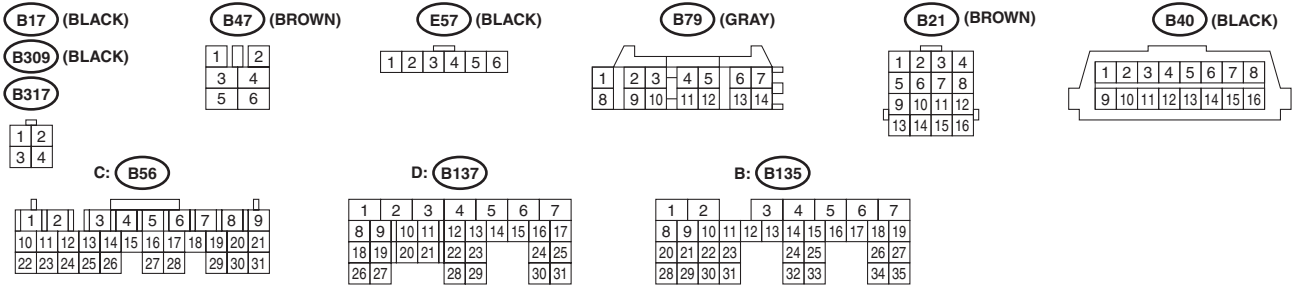
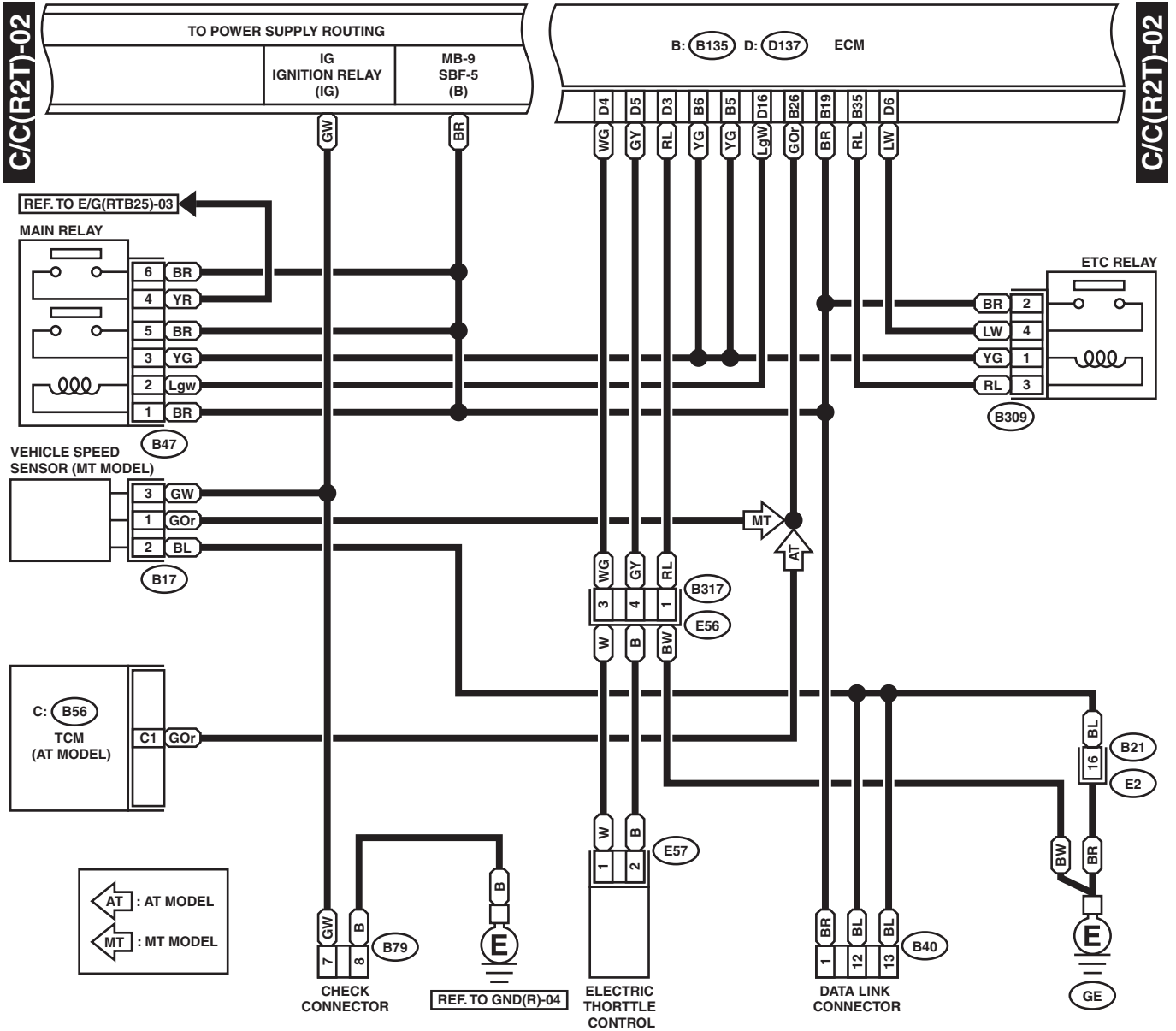
WIRING SYSTEM

3. RHD 2.5 L TURBO MODEL



Cruise Control System

WIRING SYSTEM



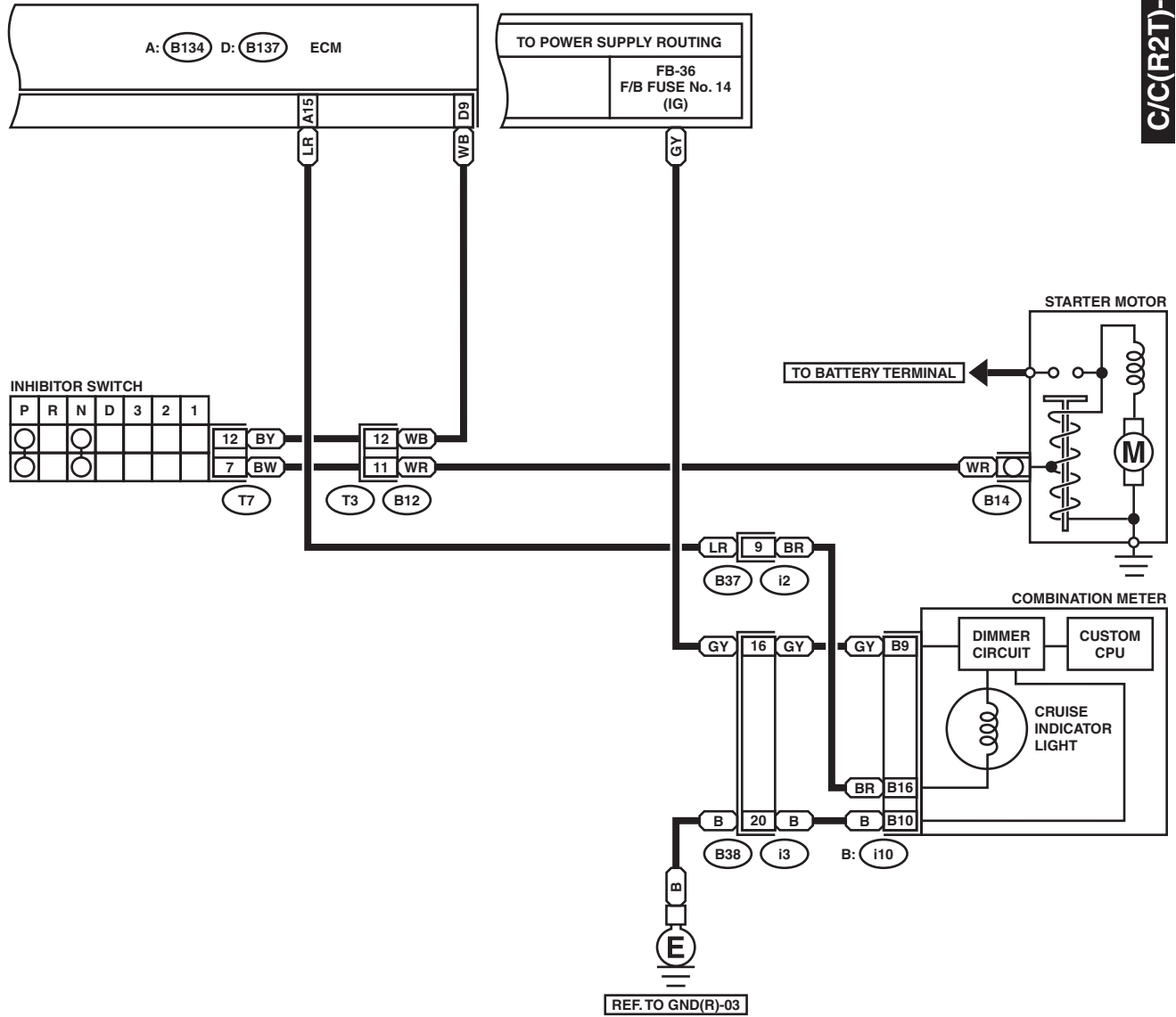
WI-03270

Cruise Control System

WIRING SYSTEM

C/C(R2T)-03

C/C(R2T)-03



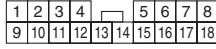
B12



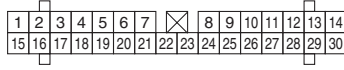
T7



i2 (BLACK)



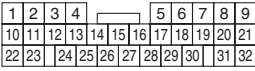
B: i10 (GREEN)



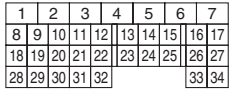
D: B137



i3



A: B134



WI-03271

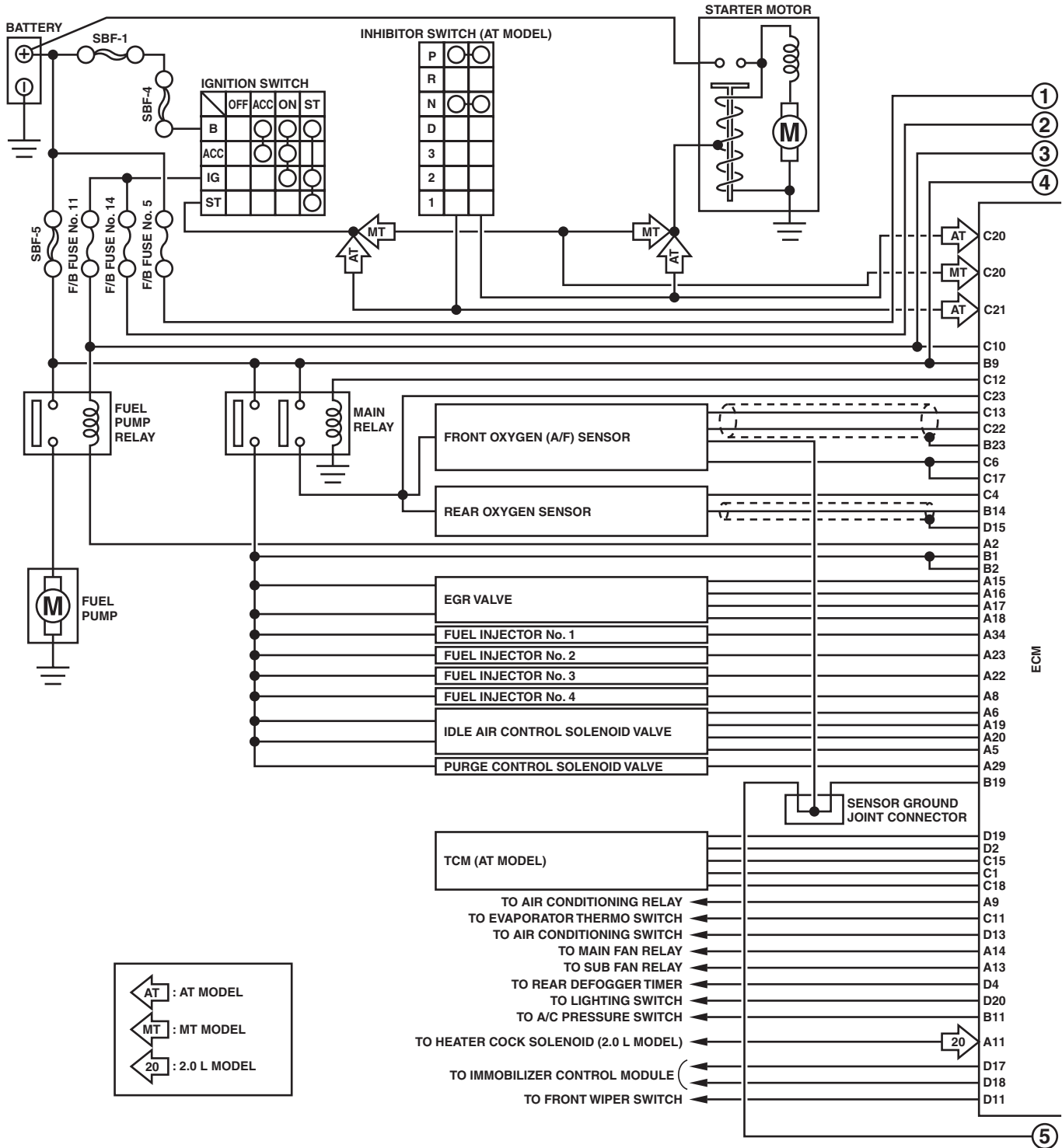
Engine Electrical System

WIRING SYSTEM

13. Engine Electrical System

A: WIRING DIAGRAM

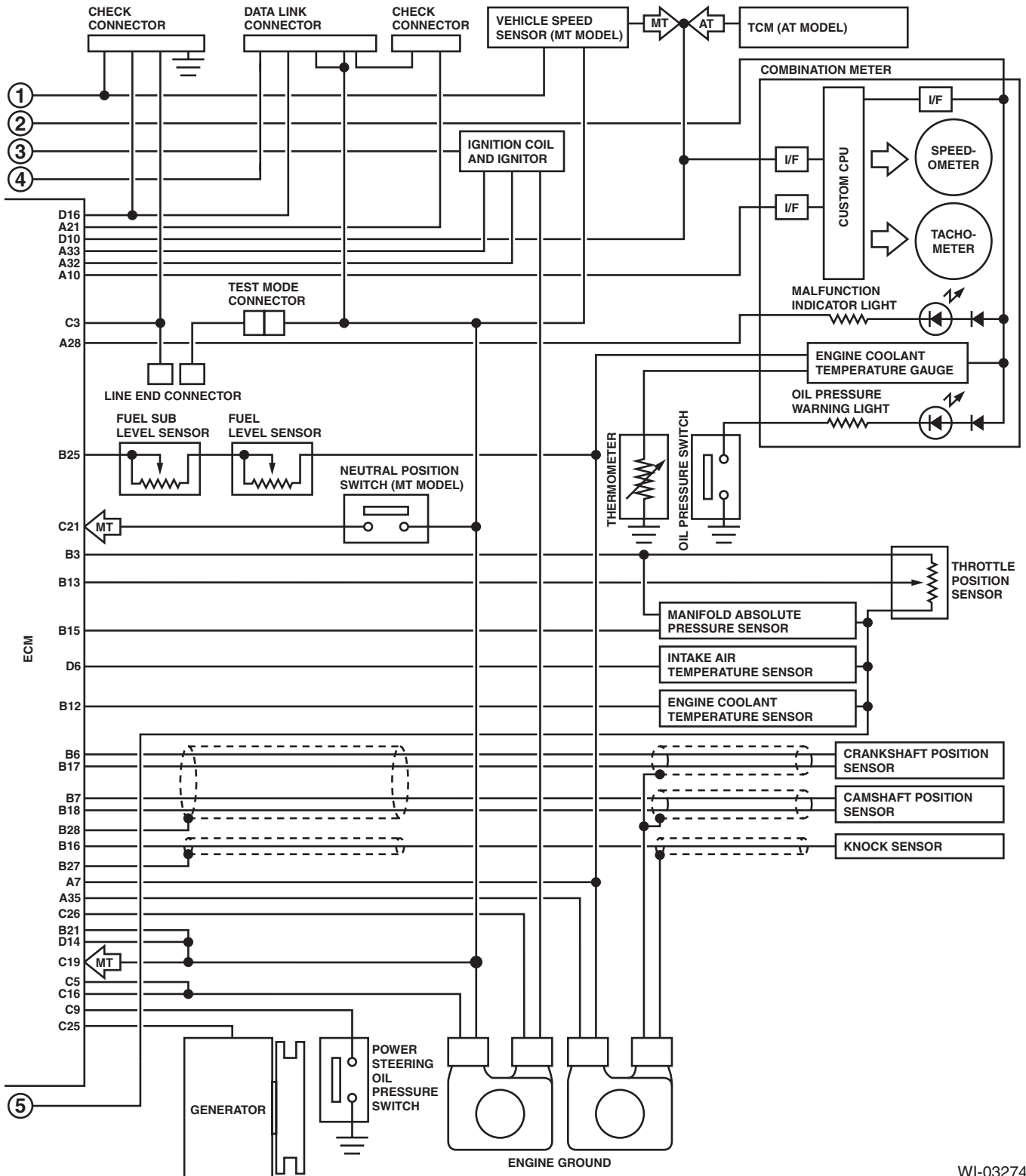
1. LHD NON-TURBO MODEL



WI-03273

Engine Electrical System

WIRING SYSTEM



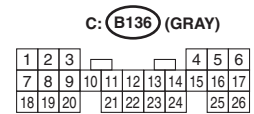
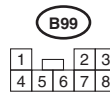
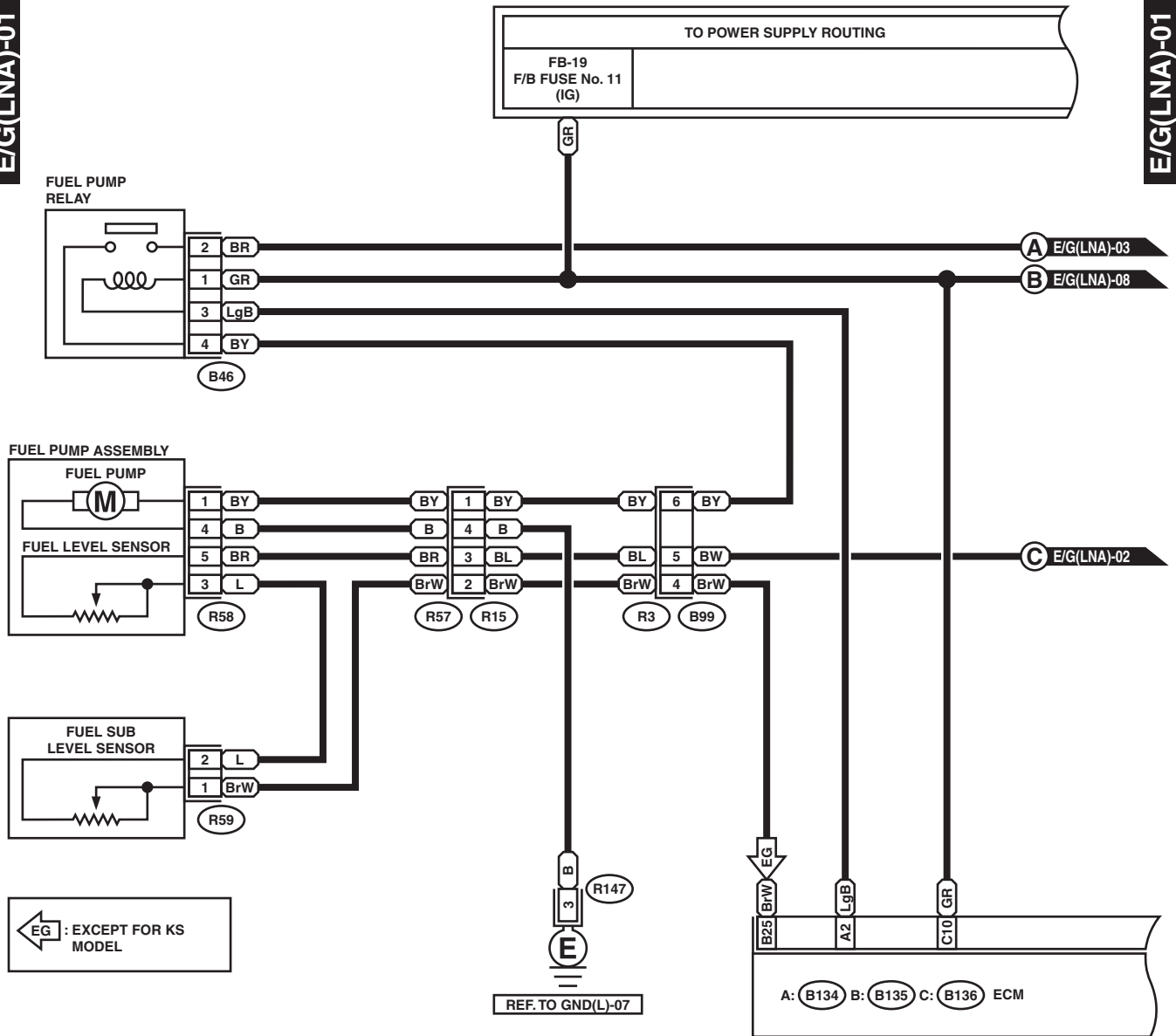
WI-03274

Engine Electrical System

WIRING SYSTEM

E/G(LNA)-01

E/G(LNA)-01



B: (B135) (GRAY)



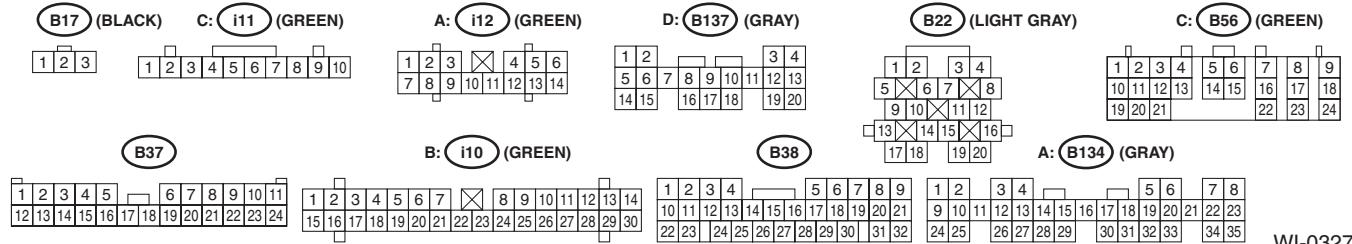
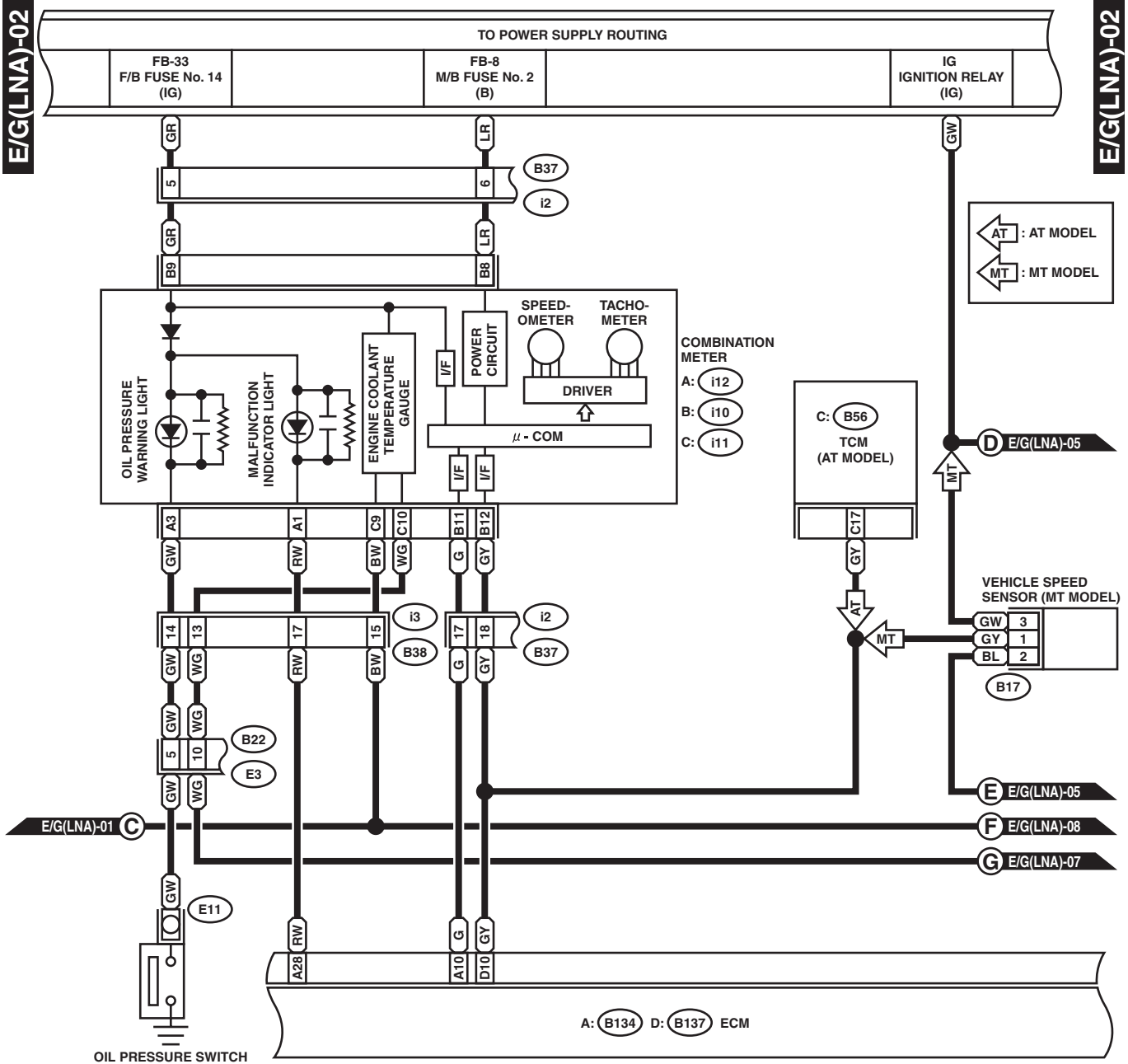
A: (B134) (GRAY)



WI-03275

Engine Electrical System

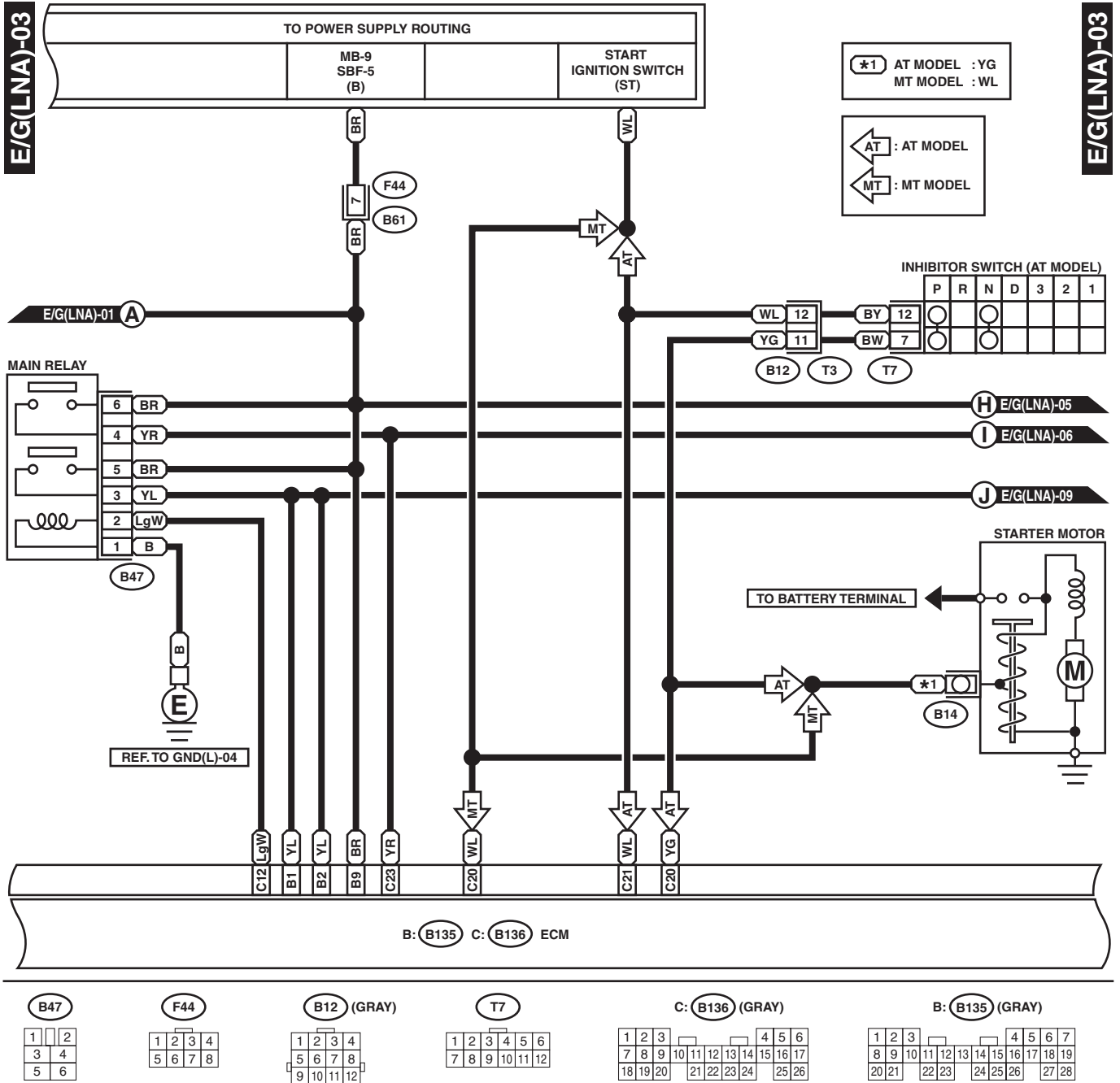
WIRING SYSTEM



WI-03276

Engine Electrical System

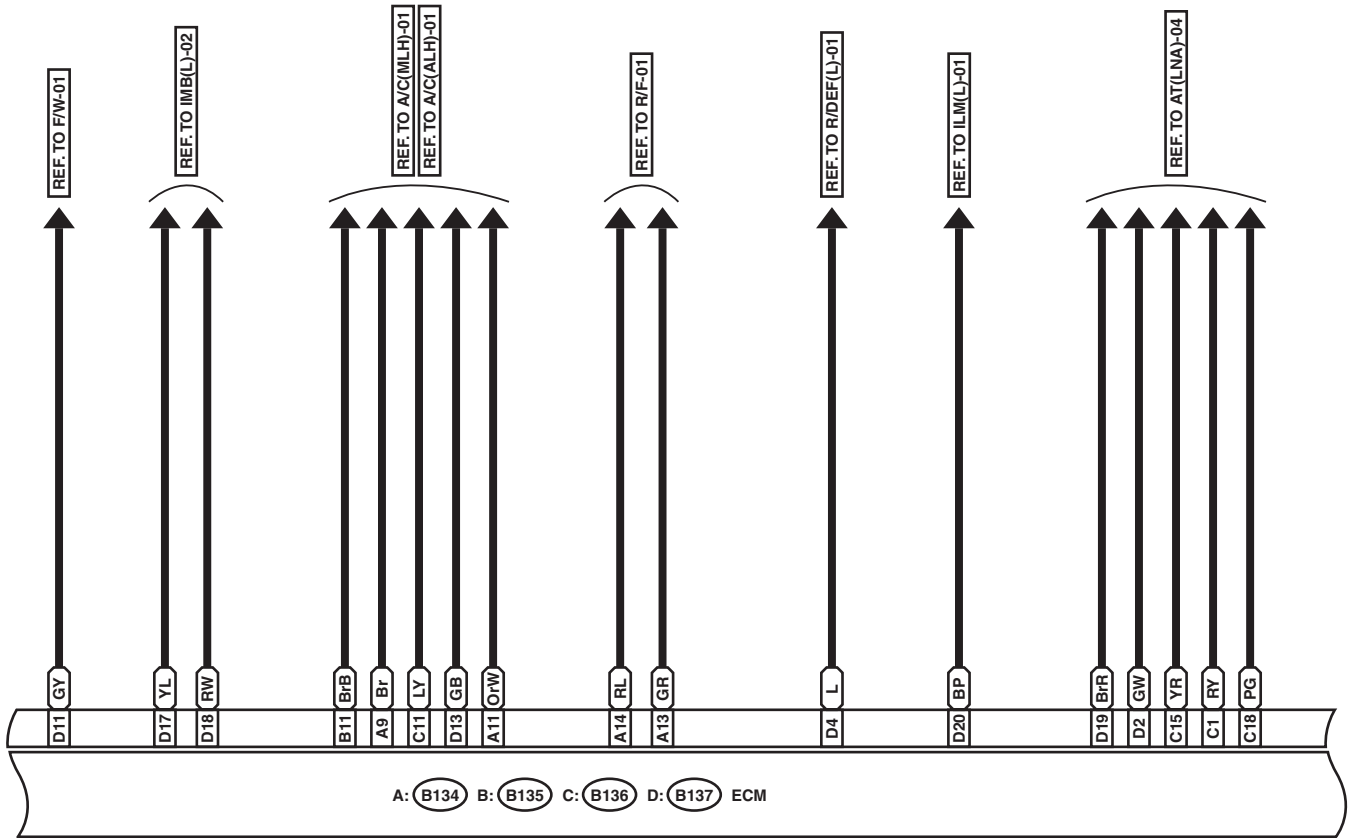
WIRING SYSTEM



WI-03277

E/G(LNA)-04

E/G(LNA)-04



D: (B137) (GRAY)

1	2	3	4
5	6	7	8
9	10	11	12
13	14	15	16
17	18	19	20

C: (B136) (GRAY)

1	2	3	4	5	6
7	8	9	10	11	12
13	14	15	16	17	18
19	20	21	22	23	24
25	26				

B: (B135) (GRAY)

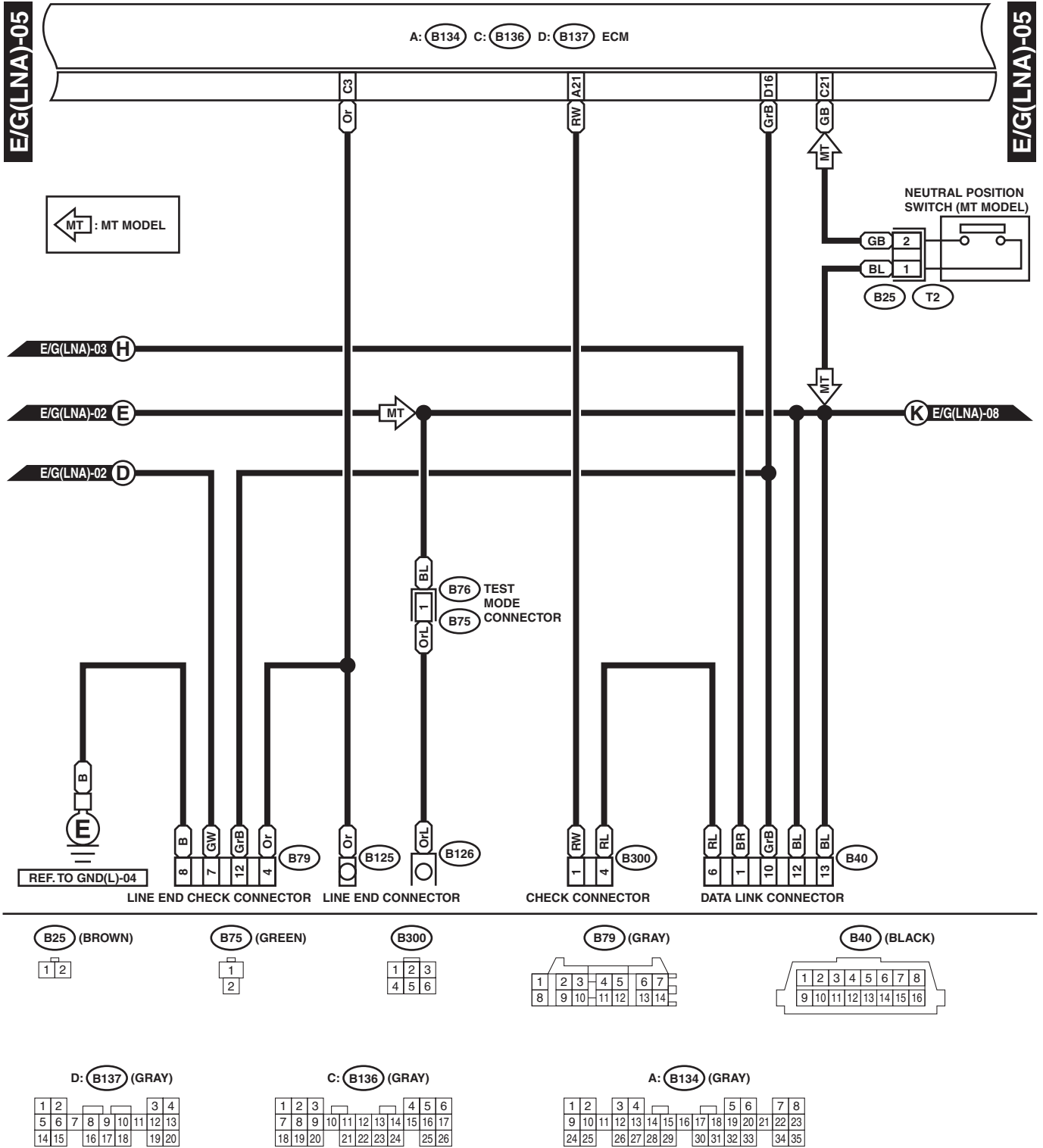
1	2	3	4	5	6	7
8	9	10	11	12	13	14
15	16	17	18	19	20	21
22	23	24	25	26	27	28

A: (B134) (GRAY)

1	2	3	4	5	6	7	8
9	10	11	12	13	14	15	16
17	18	19	20	21	22	23	24
25	26	27	28	29	30	31	32
33	34	35					

Engine Electrical System

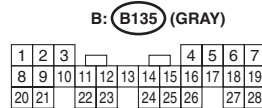
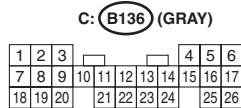
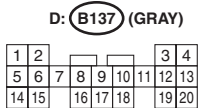
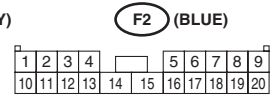
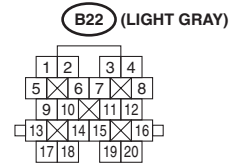
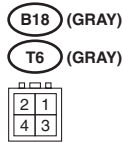
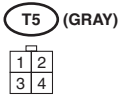
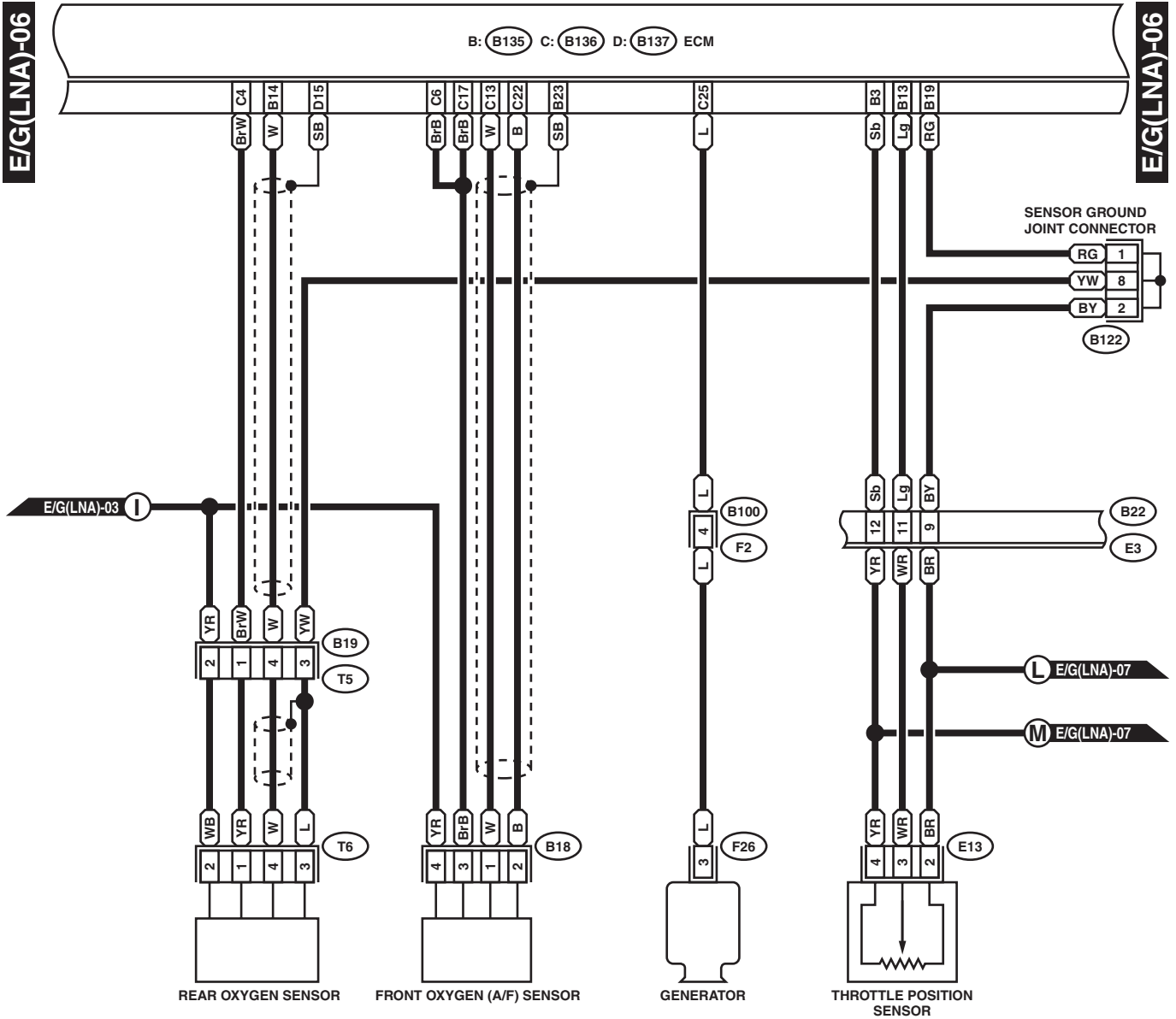
WIRING SYSTEM



WI-03279

Engine Electrical System

WIRING SYSTEM



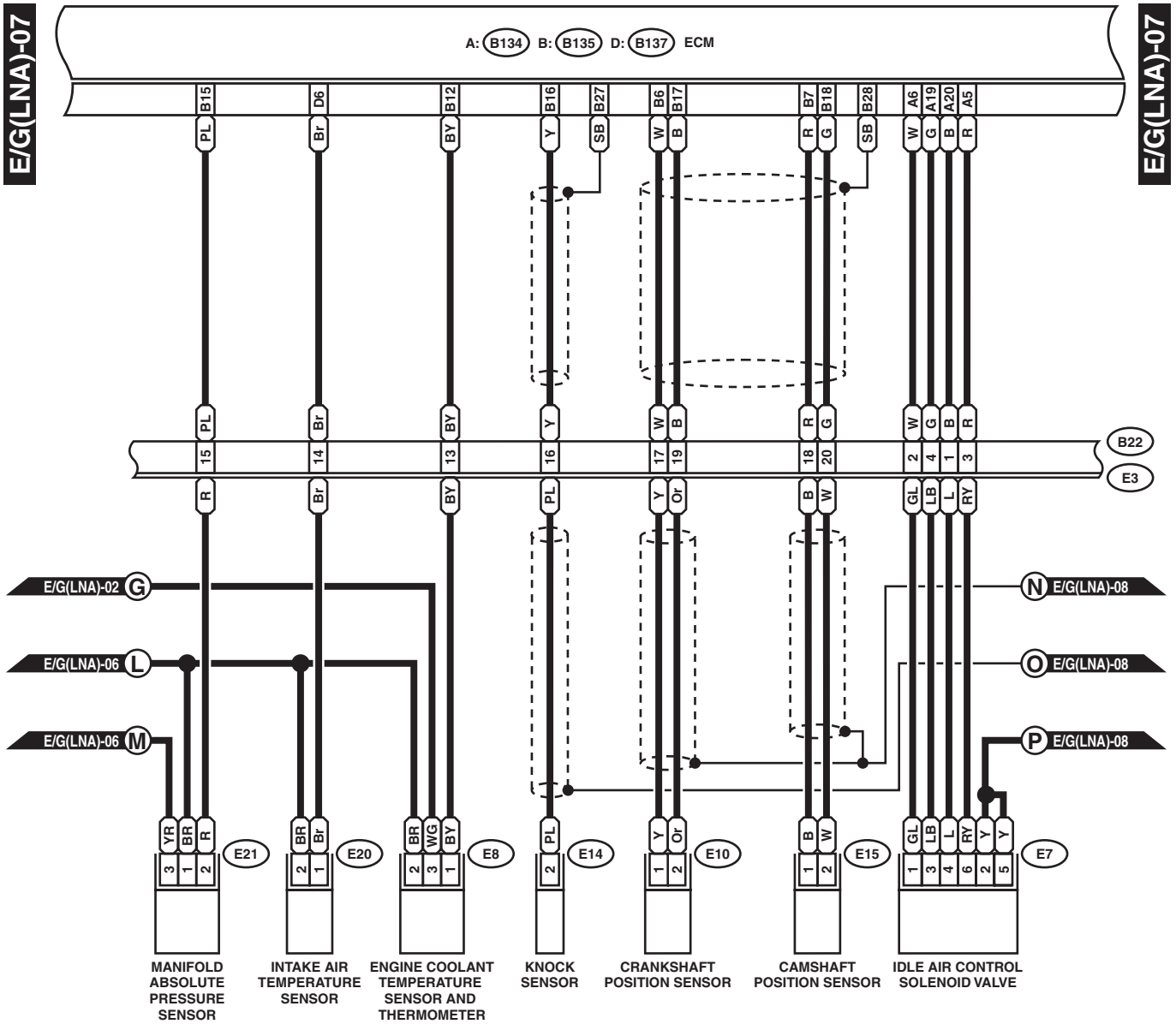
WI-03280

Engine Electrical System

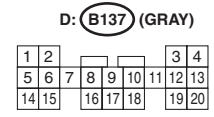
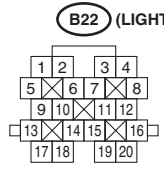
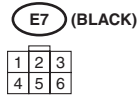
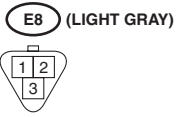
WIRING SYSTEM

E/G(LNA)-07

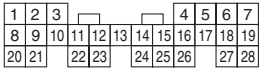
E/G(LNA)-07



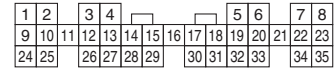
- E10 (LIGHT GRAY)
- E14 (LIGHT GRAY)
- E15 (BLACK)
- E20 (BLACK)



B: B135 (GRAY)



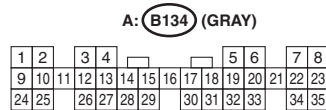
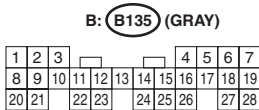
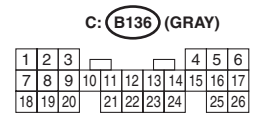
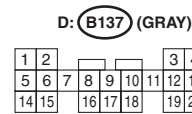
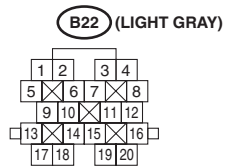
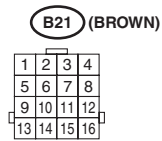
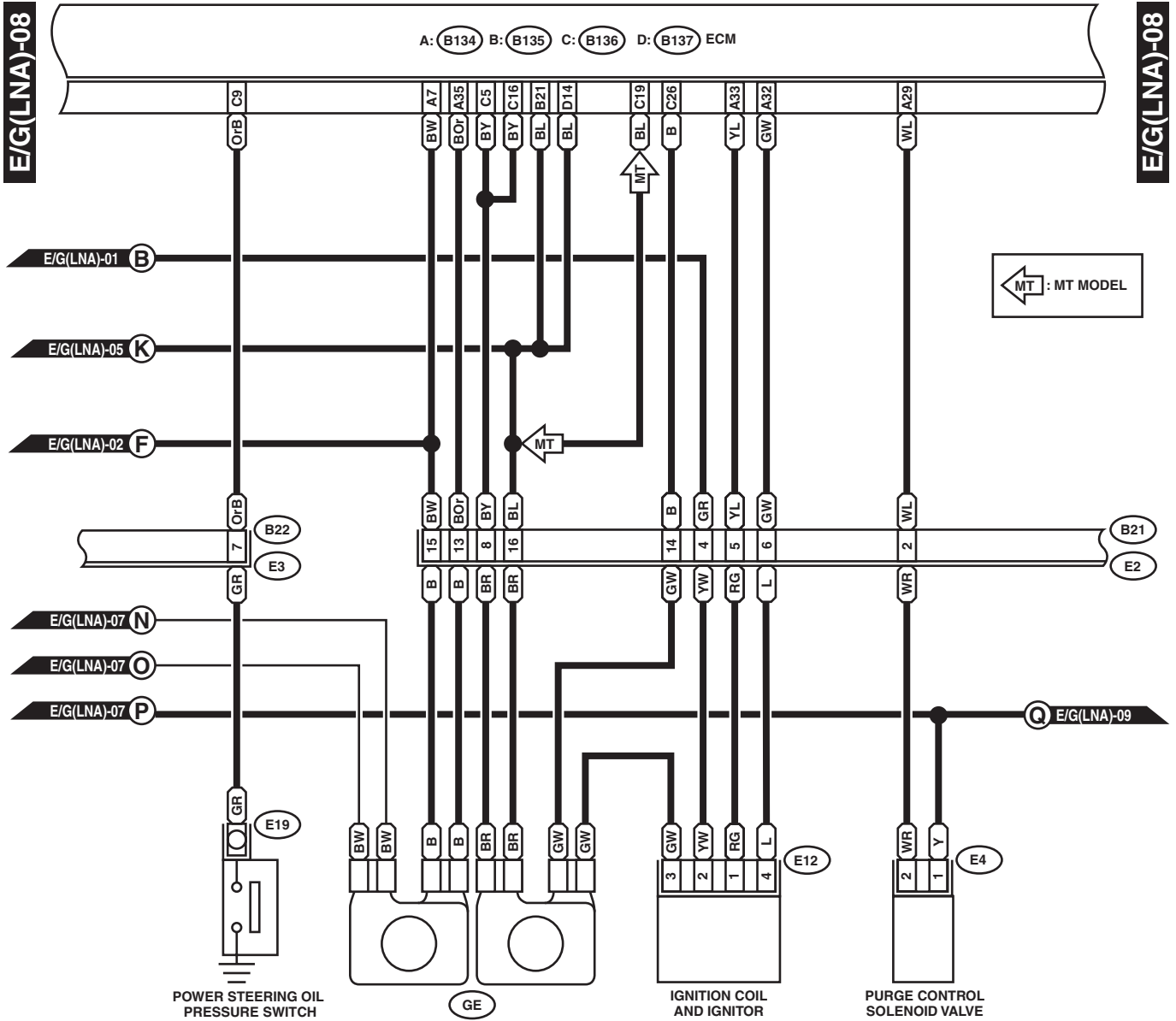
A: B134 (GRAY)



WI-00360

Engine Electrical System

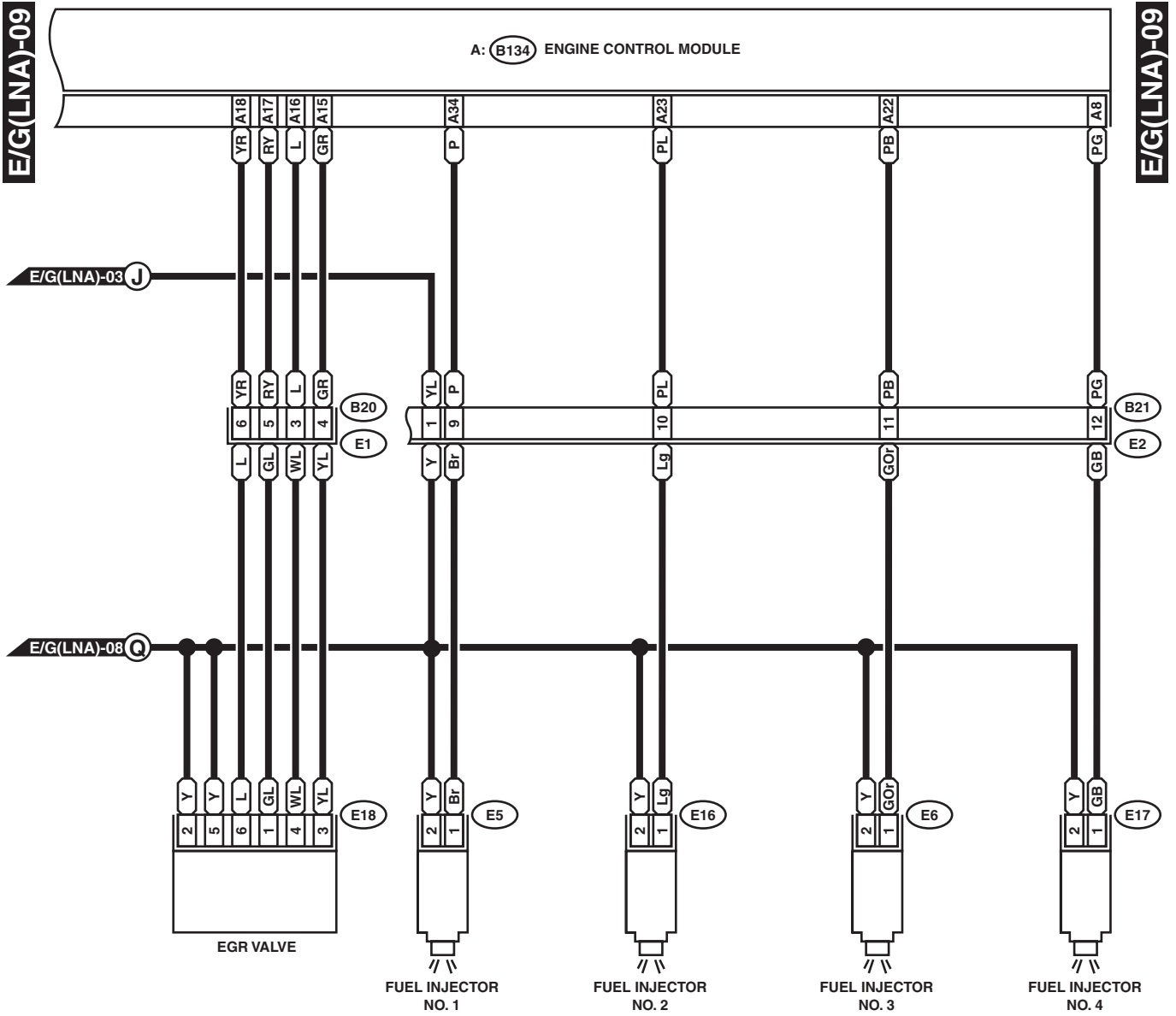
WIRING SYSTEM



WI-00361

Engine Electrical System

WIRING SYSTEM



E5 (LIGHT GRAY)

B20 (BLACK)

B21 (BROWN)

A: (B134) (GRAY)

E6 (LIGHT GRAY)

E18 (LIGHT GRAY)

E16 (LIGHT GRAY)

1	2	3
4	5	6

1	2	3	4
5	6	7	8
9	10	11	12
13	14	15	16

1	2	3	4		5	6	7	8
9	10	11	12	13	14	15	16	17
18	19	20	21	22	23			
24	25	26	27	28	29	30	31	32
33	34	35						

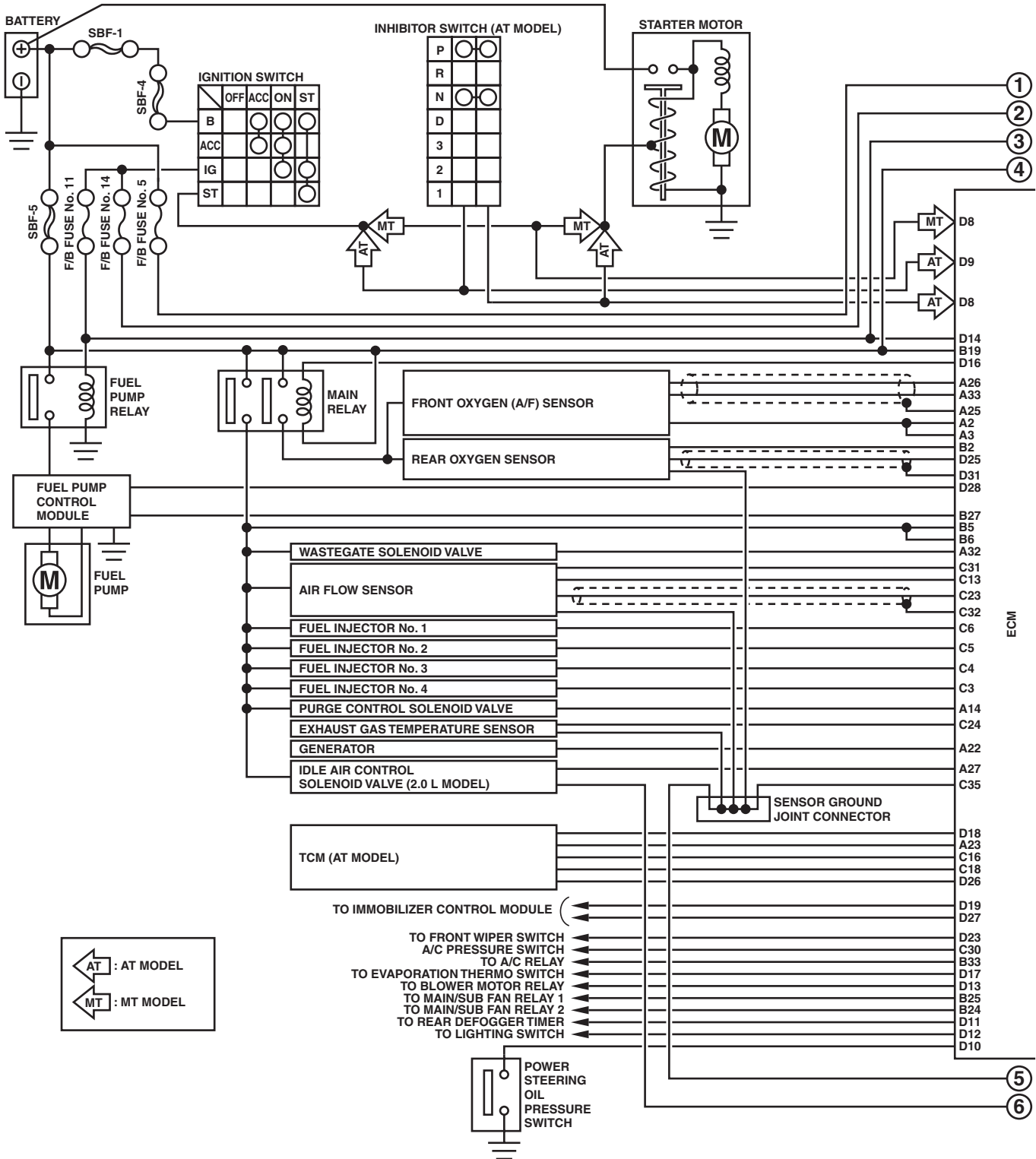


WI-00362

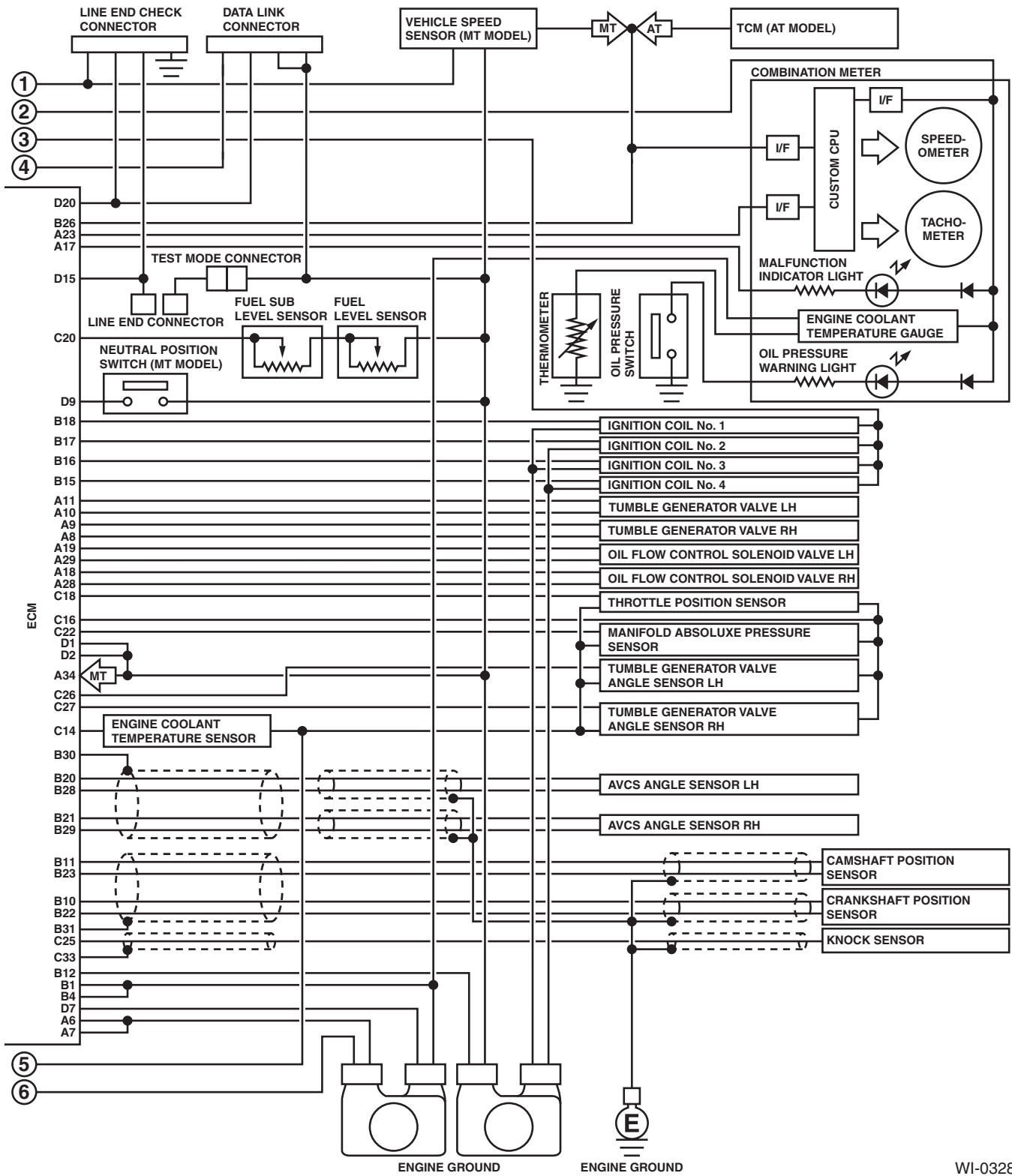
Engine Electrical System

WIRING SYSTEM

2. LHD TURBO MODEL



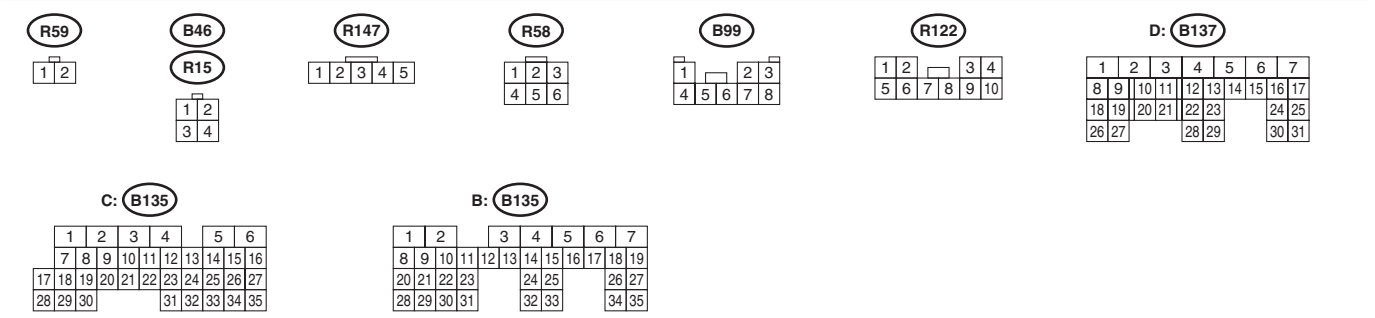
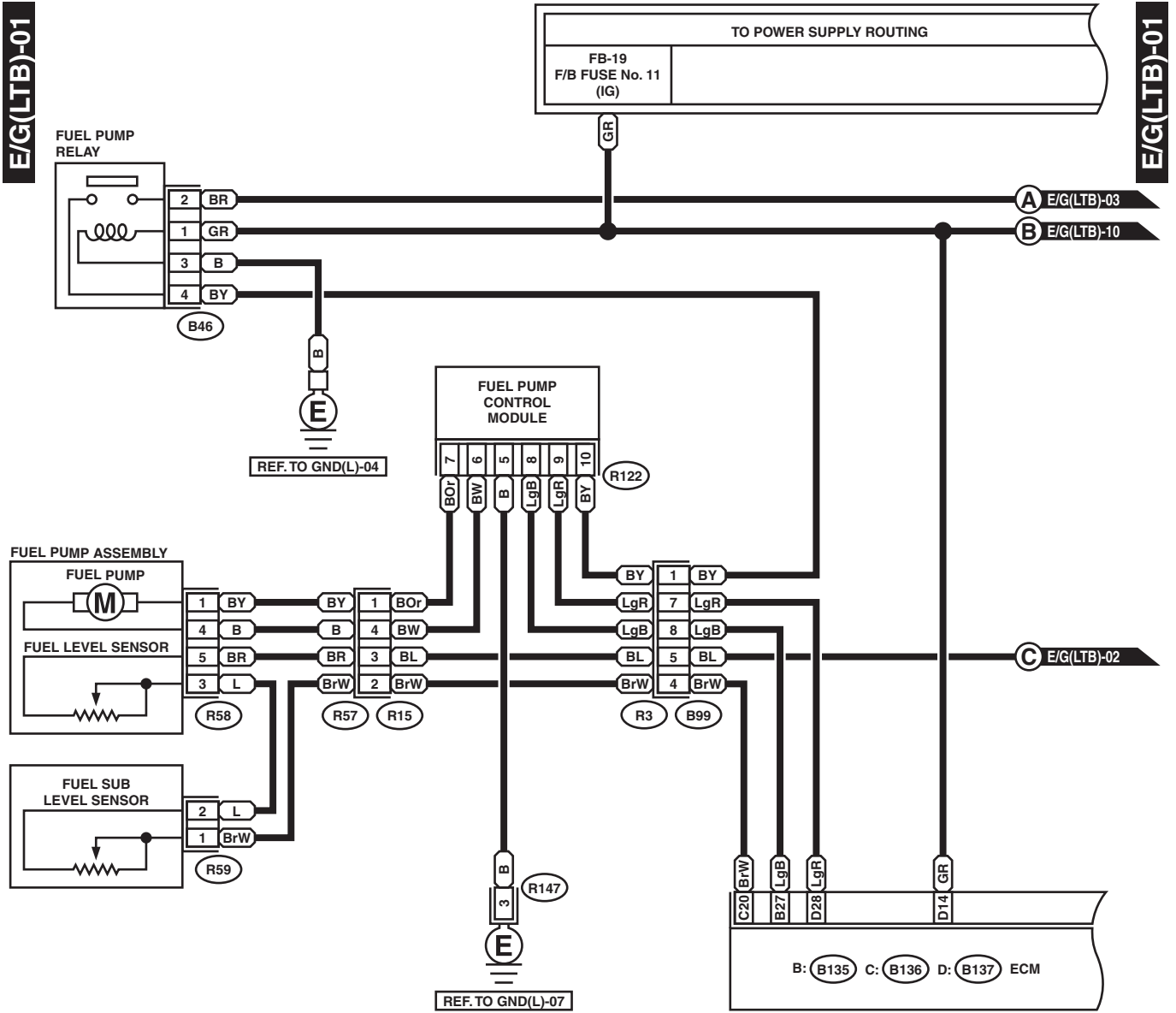
WI-03281



WI-03282

Engine Electrical System

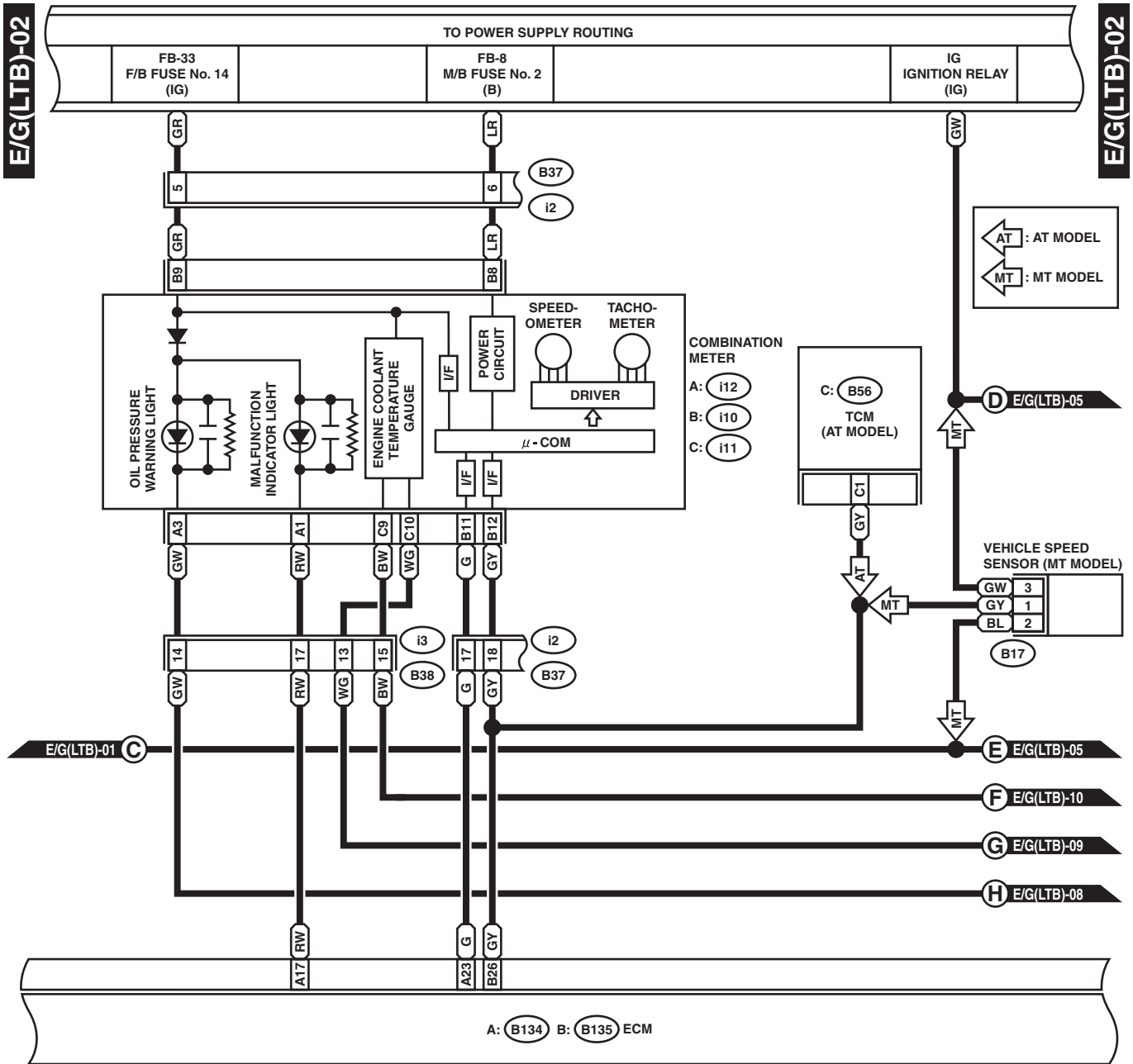
WIRING SYSTEM



WI-03283

Engine Electrical System

WIRING SYSTEM



B17

1	2
3	4

C: i11 (GREEN)

1	2	3	4	5	6	7	8	9	10
---	---	---	---	---	---	---	---	---	----

A: i12 (GREEN)

1	2	3	4	5	6		
7	8	9	10	11	12	13	14

B37

1	2	3	4	5	6	7	8	9	10	11		
12	13	14	15	16	17	18	19	20	21	22	23	24

B: i10 (GREEN)

1	2	3	4	5	6	7	8	9	10	11	12	13	14		
15	16	17	18	19	20	21	22	23	24	25	26	27	28	29	30

C: B56

1	2	3	4	5	6	7	8	9			
10	11	12	13	14	15	16	17	18	19	20	21
22	23	24	25	26	27	28	29	30	31		

B38

1	2	3	4	5	6	7	8	9			
10	11	12	13	14	15	16	17	18	19	20	21
22	23	24	25	26	27	28	29	30	31	32	

A: B134

1	2	3	4	5	6	7								
8	9	10	11	12	13	14	15	16	17					
18	19	20	21	22	23	24	25	26	27	28	29	30	31	32
33	34													

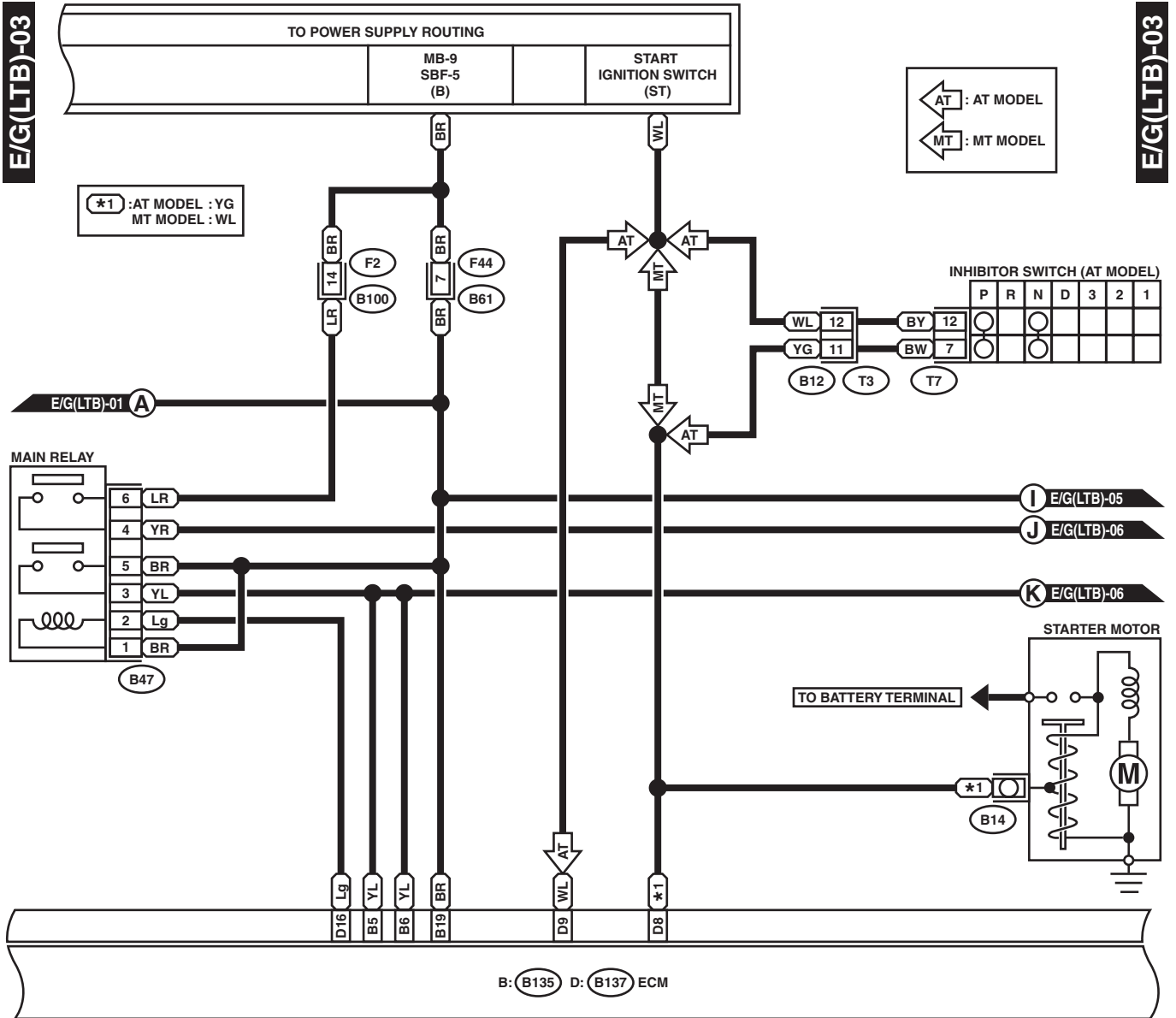
B: B135

1	2	3	4	5	6	7					
8	9	10	11	12	13	14	15	16	17	18	19
20	21	22	23	24	25	26	27				
28	29	30	31	32	33	34	35				

WI-03284

Engine Electrical System

WIRING SYSTEM



B47

1	2
3	4
5	6

F44

1	2	3	4
5	6	7	8

B12

1	2	3	4
5	6	7	8
9	10	11	12

T7

1	2	3	4	5	6
7	8	9	10	11	12

F2 (BLUE)

1	2	3	4		5	6	7	8	9	
10	11	12	13	14	15	16	17	18	19	20

D: B137

1	2	3	4	5	6	7			
8	9	10	11	12	13	14	15	16	17
18	19	20	21	22	23	24	25		
26	27			28	29	30	31		

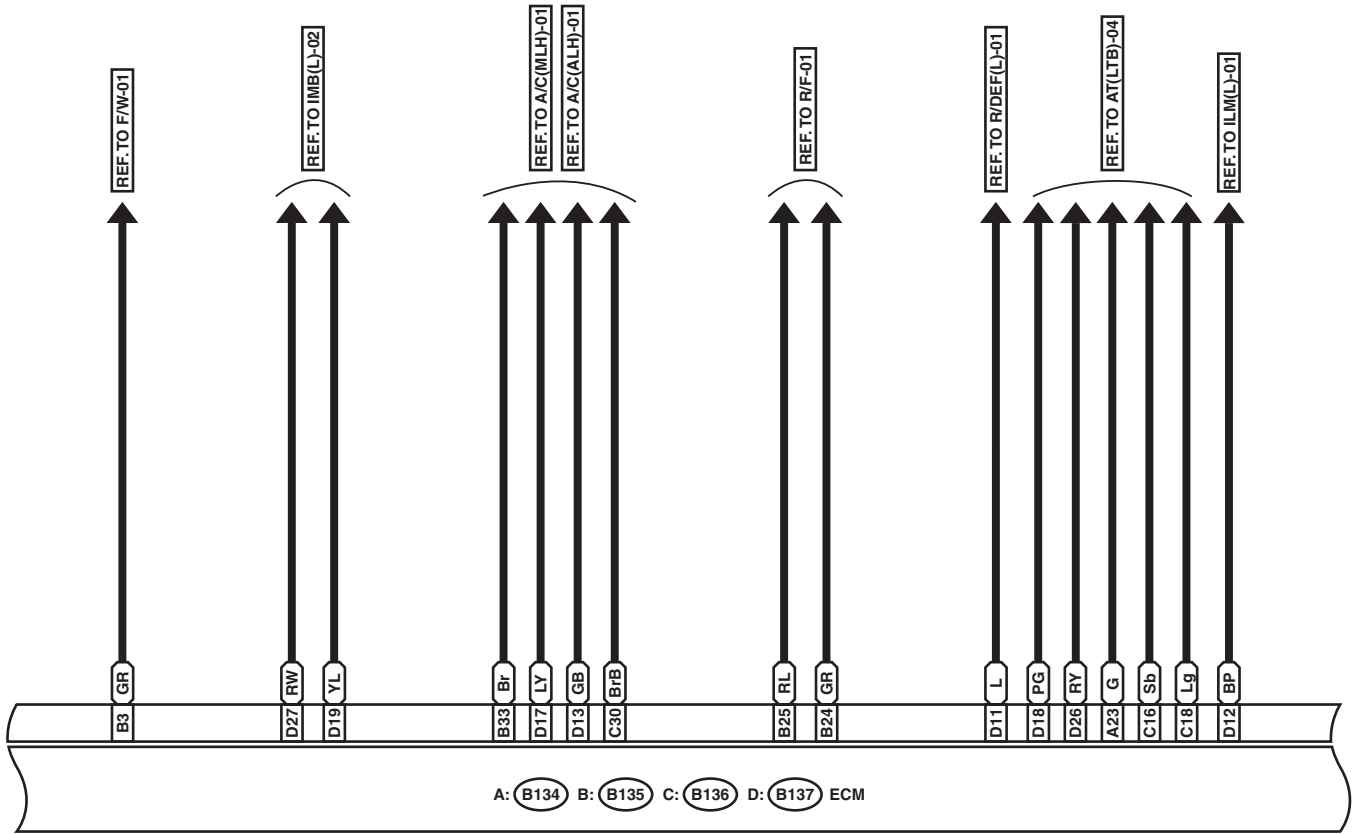
B: B135

1	2		3	4	5	6	7				
8	9	10	11	12	13	14	15	16	17	18	19
20	21	22	23		24	25		26	27		
28	29	30	31		32	33		34	35		

WI-03285

E/G(LTB)-04

E/G(LTB)-04



D: (B137)

1	2	3	4	5	6	7
8	9	10	11	12	13	14
15	16	17	18	19	20	21
22	23	24	25	26	27	28
29	30	31	32	33	34	35

A: (B134)

1	2	3	4	5	6	7
8	9	10	11	12	13	14
15	16	17	18	19	20	21
22	23	24	25	26	27	28
29	30	31	32	33	34	35

B: (B135)

1	2	3	4	5	6	7
8	9	10	11	12	13	14
15	16	17	18	19	20	21
22	23	24	25	26	27	28
29	30	31	32	33	34	35

C: (B136)

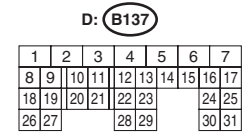
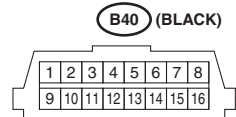
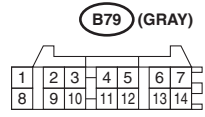
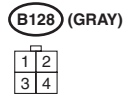
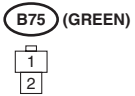
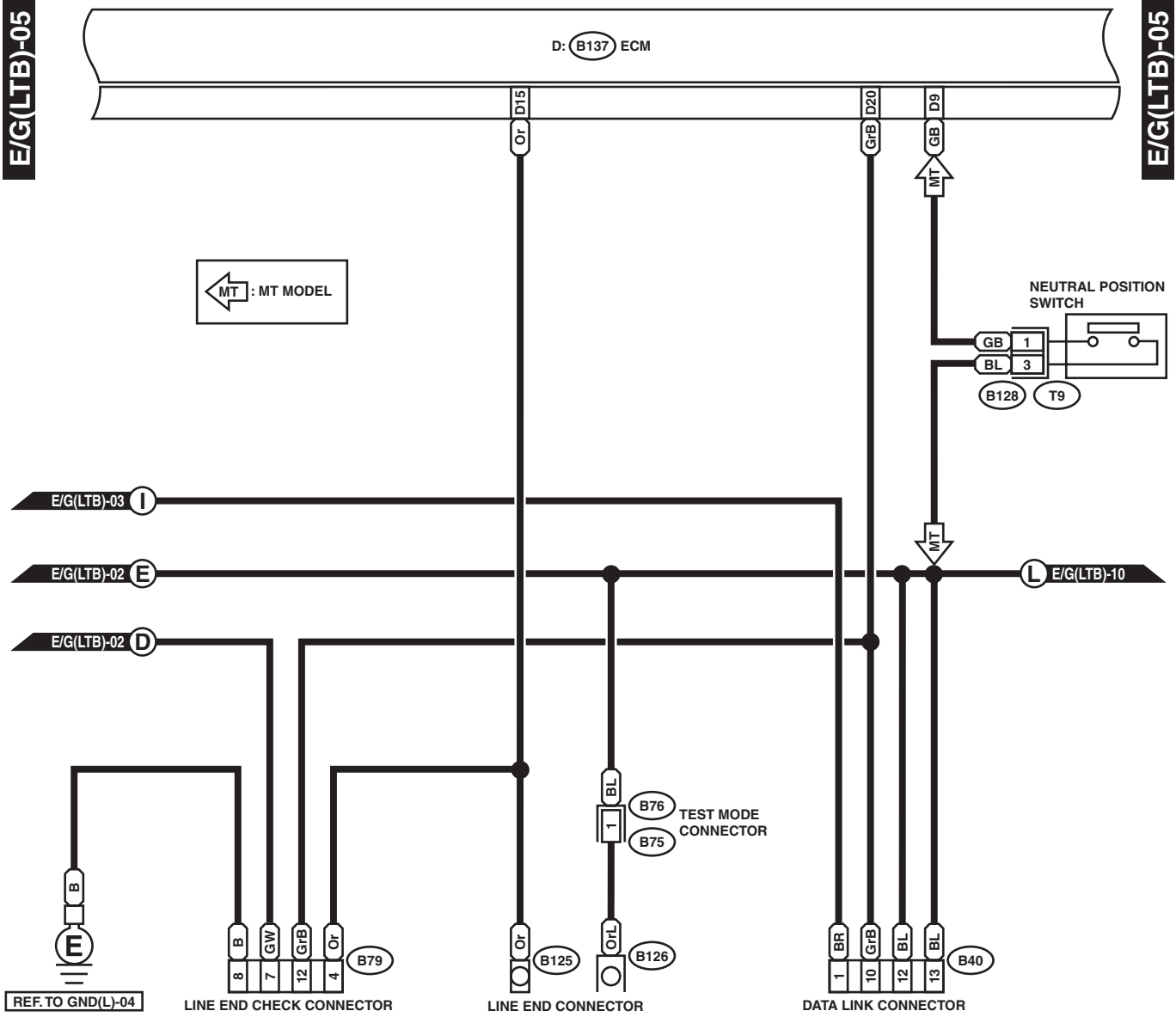
1	2	3	4	5	6
7	8	9	10	11	12
13	14	15	16	17	18
19	20	21	22	23	24
25	26	27	28	29	30
31	32	33	34	35	36

Engine Electrical System

WIRING SYSTEM

E/G(LTB)-05

E/G(LTB)-05



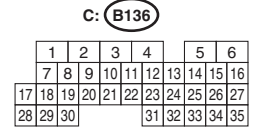
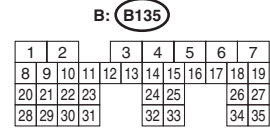
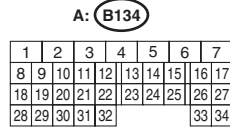
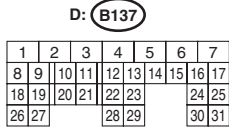
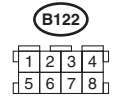
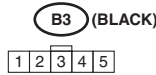
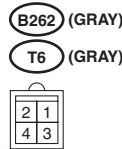
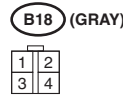
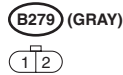
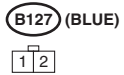
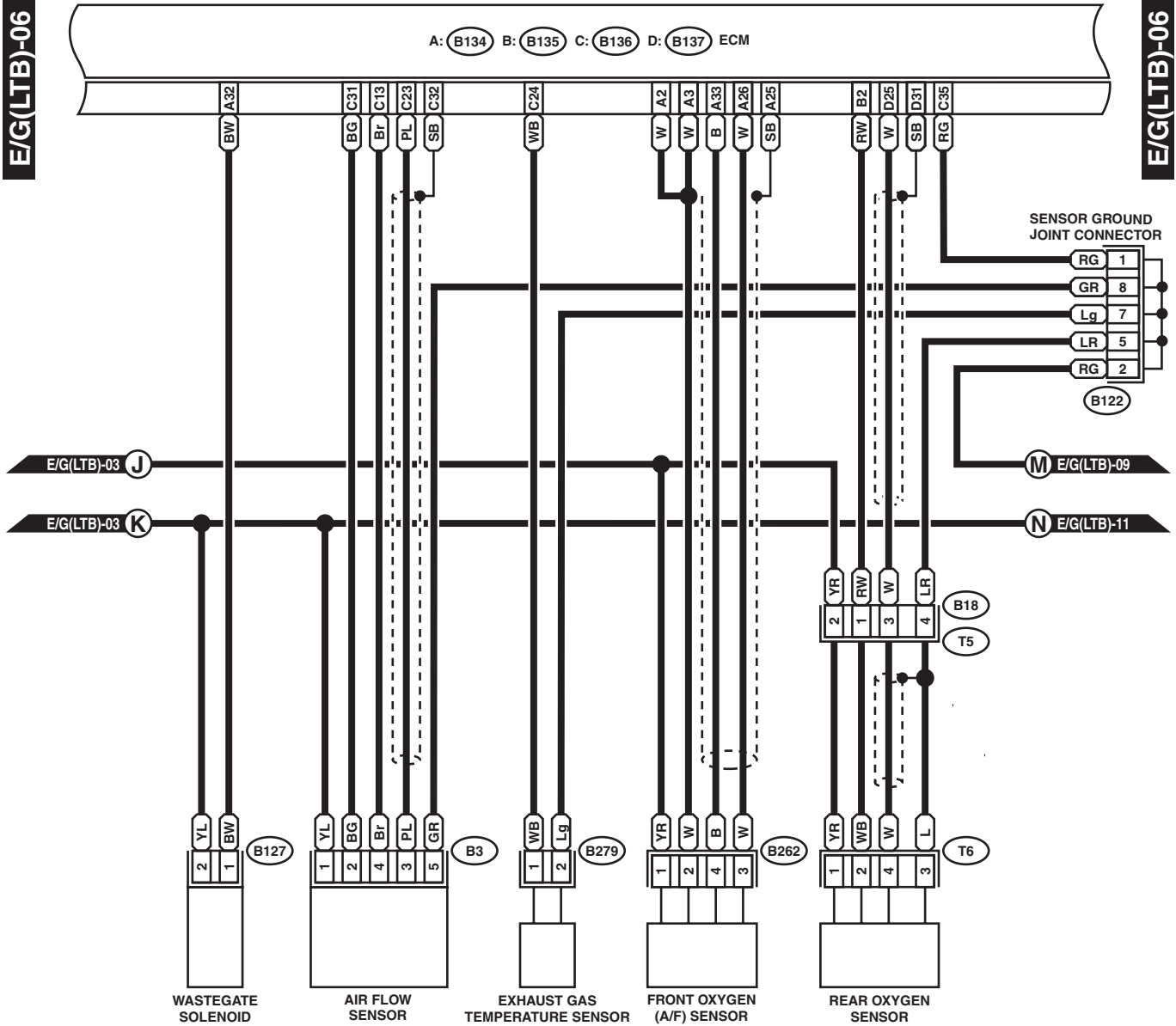
WI-03287

Engine Electrical System

WIRING SYSTEM

E/G(LTB)-06

E/G(LTB)-06



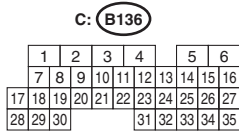
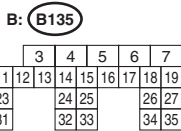
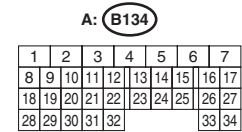
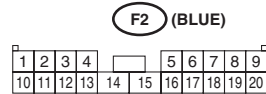
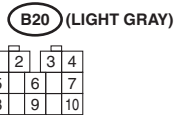
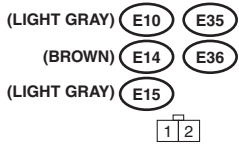
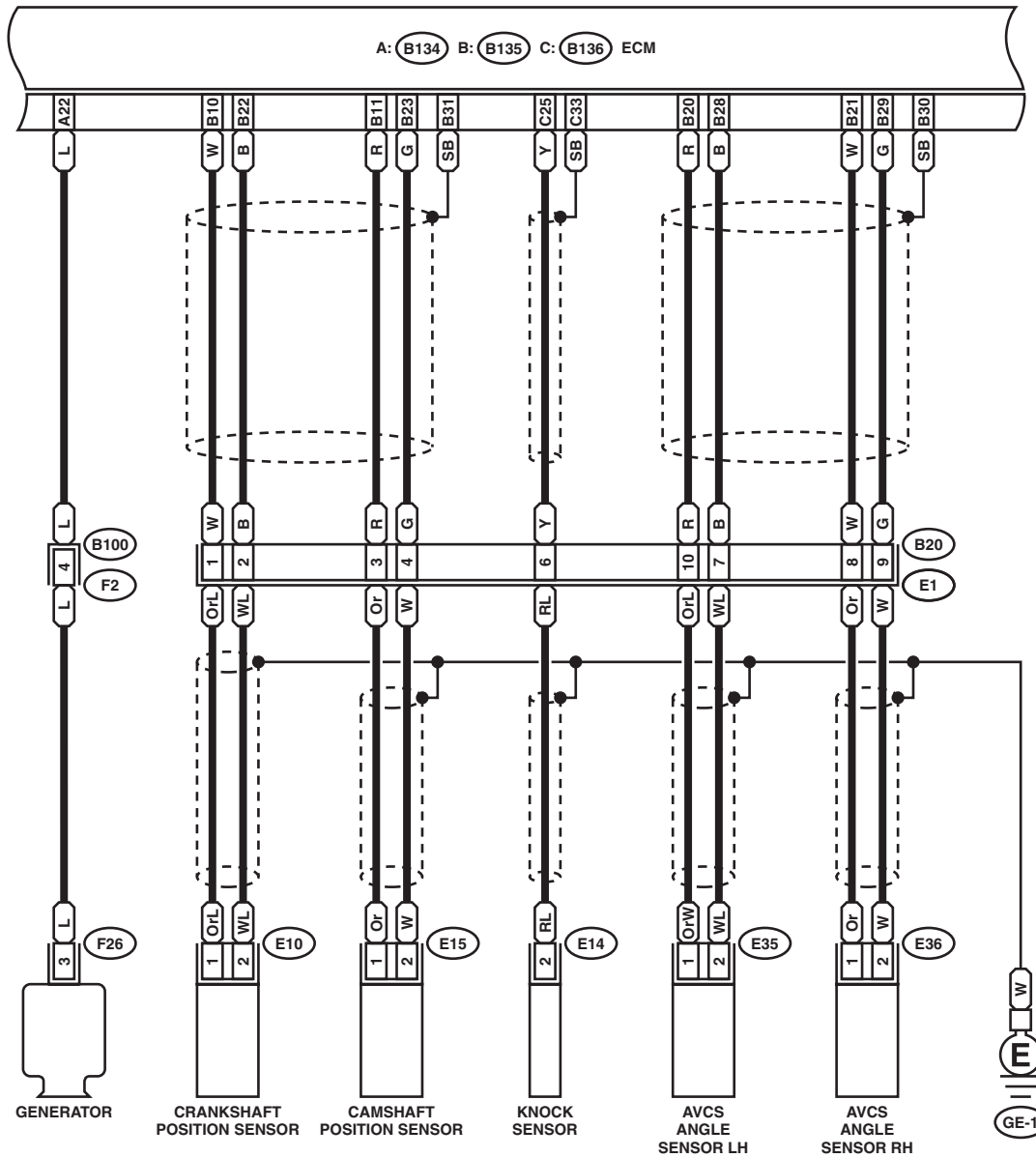
WI-03288

Engine Electrical System

WIRING SYSTEM

E/G(LTB)-07

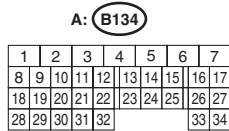
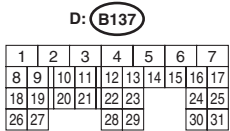
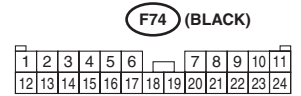
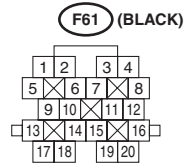
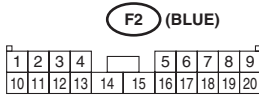
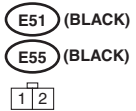
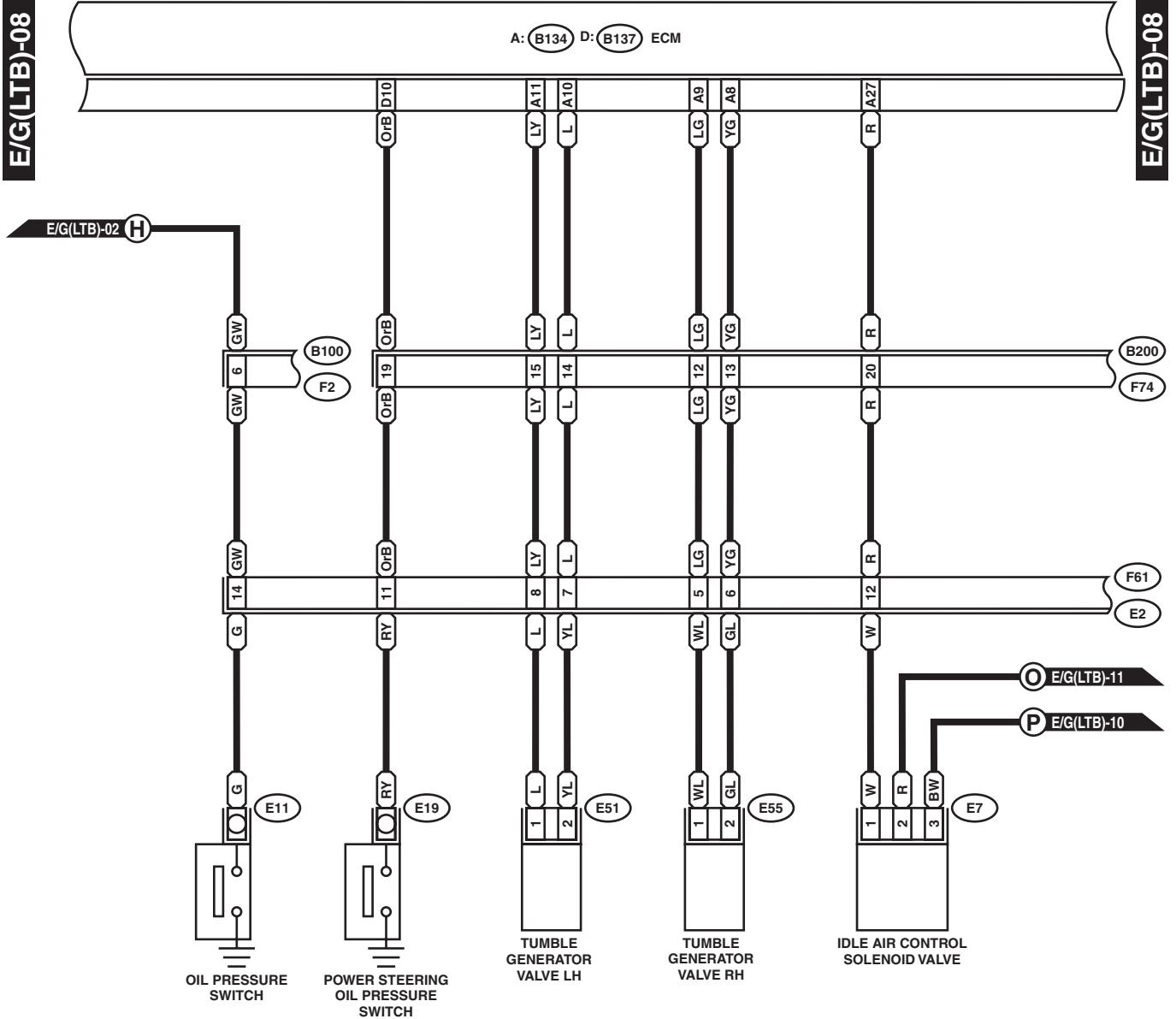
E/G(LTB)-07



WI-03289

Engine Electrical System

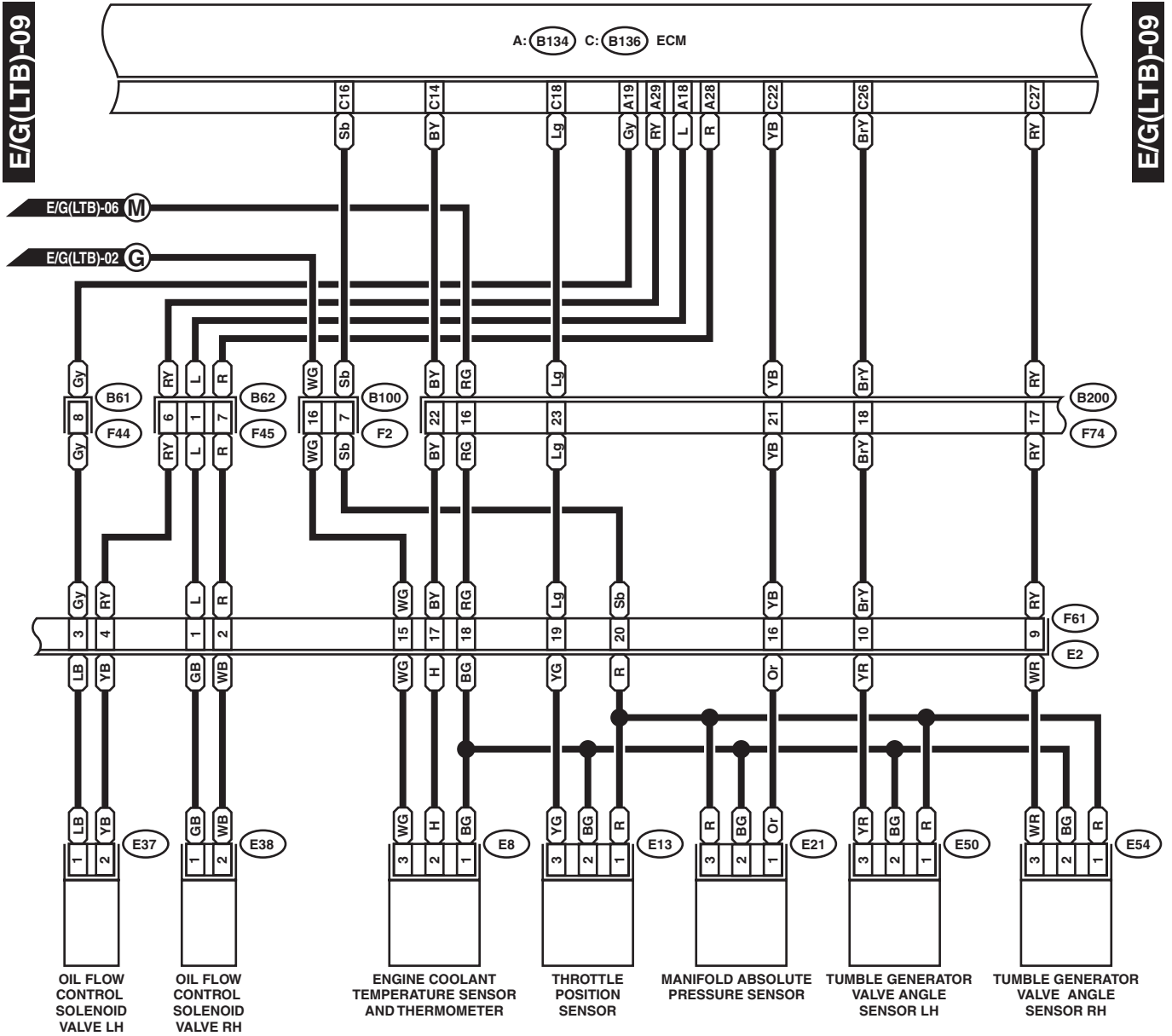
WIRING SYSTEM



WI-03290

Engine Electrical System

WIRING SYSTEM



E37 (BLUE)

E38 (BLUE)



E8 (LIGHT GRAY)



E13 (BLACK)

E21 (BLACK)

E50 (BLACK)

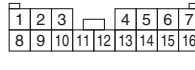
E54 (BLACK)



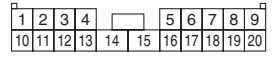
F44



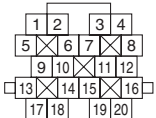
F45



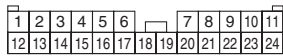
F2 (BLUE)



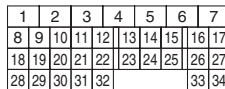
F61 (BLACK)



F74 (BLACK)



A: B134



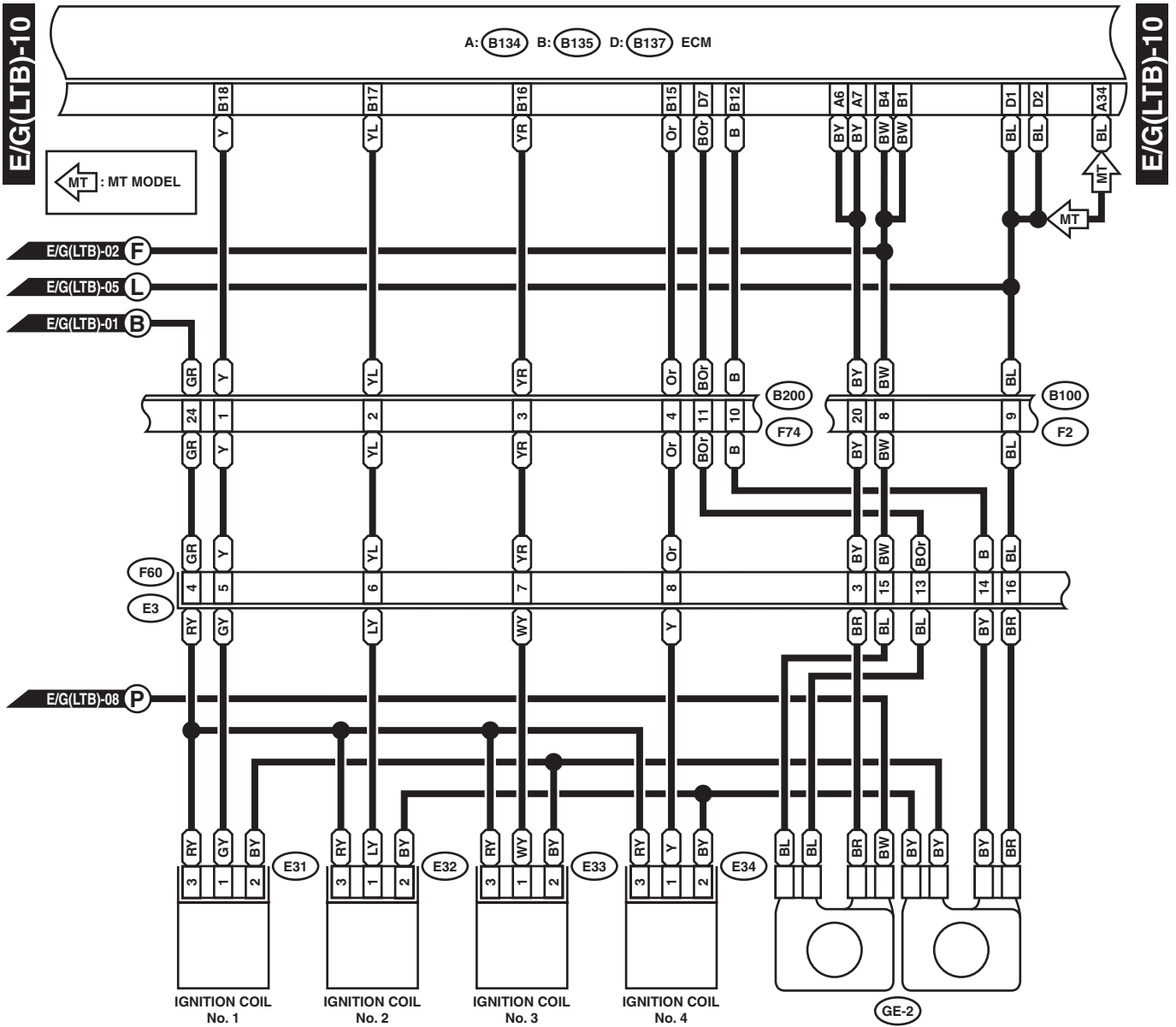
C: B136



WI-03291

Engine Electrical System

WIRING SYSTEM

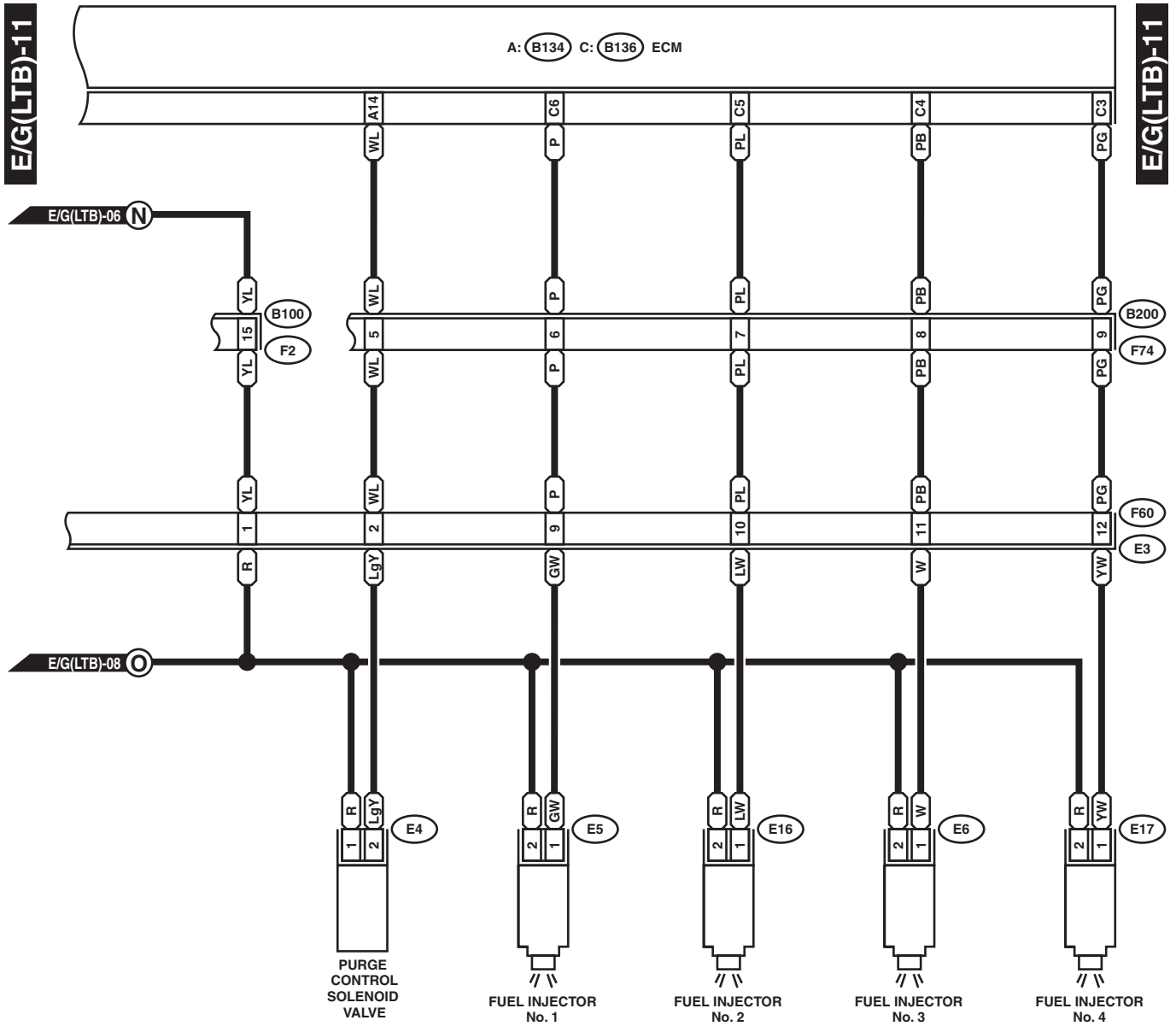


E31	F60 (BROWN)	F2 (BLUE)	F74 (BLACK)	D: B137																																																																																											
E32	<table border="1"><tr><td>1</td><td>2</td><td>3</td><td>4</td></tr><tr><td>5</td><td>6</td><td>7</td><td>8</td></tr><tr><td>9</td><td>10</td><td>11</td><td>12</td></tr><tr><td>13</td><td>14</td><td>15</td><td>16</td></tr></table>	1	2	3	4	5	6	7	8	9	10	11	12	13	14	15	16	<table border="1"><tr><td>1</td><td>2</td><td>3</td><td>4</td><td>5</td><td>6</td><td>7</td><td>8</td><td>9</td></tr><tr><td>10</td><td>11</td><td>12</td><td>13</td><td>14</td><td>15</td><td>16</td><td>17</td><td>18</td><td>19</td><td>20</td></tr></table>	1	2	3	4	5	6	7	8	9	10	11	12	13	14	15	16	17	18	19	20	<table border="1"><tr><td>1</td><td>2</td><td>3</td><td>4</td><td>5</td><td>6</td><td>7</td><td>8</td><td>9</td><td>10</td><td>11</td></tr><tr><td>12</td><td>13</td><td>14</td><td>15</td><td>16</td><td>17</td><td>18</td><td>19</td><td>20</td><td>21</td><td>22</td><td>23</td><td>24</td></tr></table>	1	2	3	4	5	6	7	8	9	10	11	12	13	14	15	16	17	18	19	20	21	22	23	24	<table border="1"><tr><td>1</td><td>2</td><td>3</td><td>4</td><td>5</td><td>6</td><td>7</td></tr><tr><td>8</td><td>9</td><td>10</td><td>11</td><td>12</td><td>13</td><td>14</td><td>15</td><td>16</td><td>17</td></tr><tr><td>18</td><td>19</td><td>20</td><td>21</td><td>22</td><td>23</td><td>24</td><td>25</td></tr><tr><td>26</td><td>27</td><td>28</td><td>29</td><td>30</td><td>31</td></tr></table>	1	2	3	4	5	6	7	8	9	10	11	12	13	14	15	16	17	18	19	20	21	22	23	24	25	26	27	28	29	30	31
1	2	3	4																																																																																												
5	6	7	8																																																																																												
9	10	11	12																																																																																												
13	14	15	16																																																																																												
1	2	3	4	5	6	7	8	9																																																																																							
10	11	12	13	14	15	16	17	18	19	20																																																																																					
1	2	3	4	5	6	7	8	9	10	11																																																																																					
12	13	14	15	16	17	18	19	20	21	22	23	24																																																																																			
1	2	3	4	5	6	7																																																																																									
8	9	10	11	12	13	14	15	16	17																																																																																						
18	19	20	21	22	23	24	25																																																																																								
26	27	28	29	30	31																																																																																										
E33 (BLACK)																																																																																															
E34 (BLACK)																																																																																															
<table border="1"><tr><td>1</td><td>2</td><td>3</td></tr></table>	1	2	3	A: B134	B: B135																																																																																										
1	2	3																																																																																													
	<table border="1"><tr><td>1</td><td>2</td><td>3</td><td>4</td><td>5</td><td>6</td><td>7</td></tr><tr><td>8</td><td>9</td><td>10</td><td>11</td><td>12</td><td>13</td><td>14</td><td>15</td><td>16</td><td>17</td><td>18</td><td>19</td></tr><tr><td>20</td><td>21</td><td>22</td><td>23</td><td>24</td><td>25</td><td>26</td><td>27</td></tr><tr><td>28</td><td>29</td><td>30</td><td>31</td><td>32</td><td>33</td><td>34</td><td>35</td></tr></table>	1	2	3	4	5	6	7	8	9	10	11	12	13	14	15	16	17	18	19	20	21	22	23	24	25	26	27	28	29	30	31	32	33	34	35																																																											
1	2	3	4	5	6	7																																																																																									
8	9	10	11	12	13	14	15	16	17	18	19																																																																																				
20	21	22	23	24	25	26	27																																																																																								
28	29	30	31	32	33	34	35																																																																																								

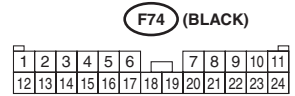
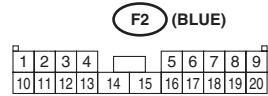
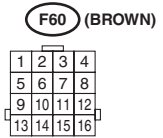
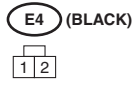
WI-03292

Engine Electrical System

WIRING SYSTEM



- (E5) (DARK GRAY)
- (E6) (DARK GRAY)
- (E16) (DARK GRAY)
- (E17) (DARK GRAY)



A: (B134)

1	2	3	4	5	6	7			
8	9	10	11	12	13	14	15	16	17
18	19	20	21	22	23	24	25	26	27
28	29	30	31	32		33	34		

C: (B136)

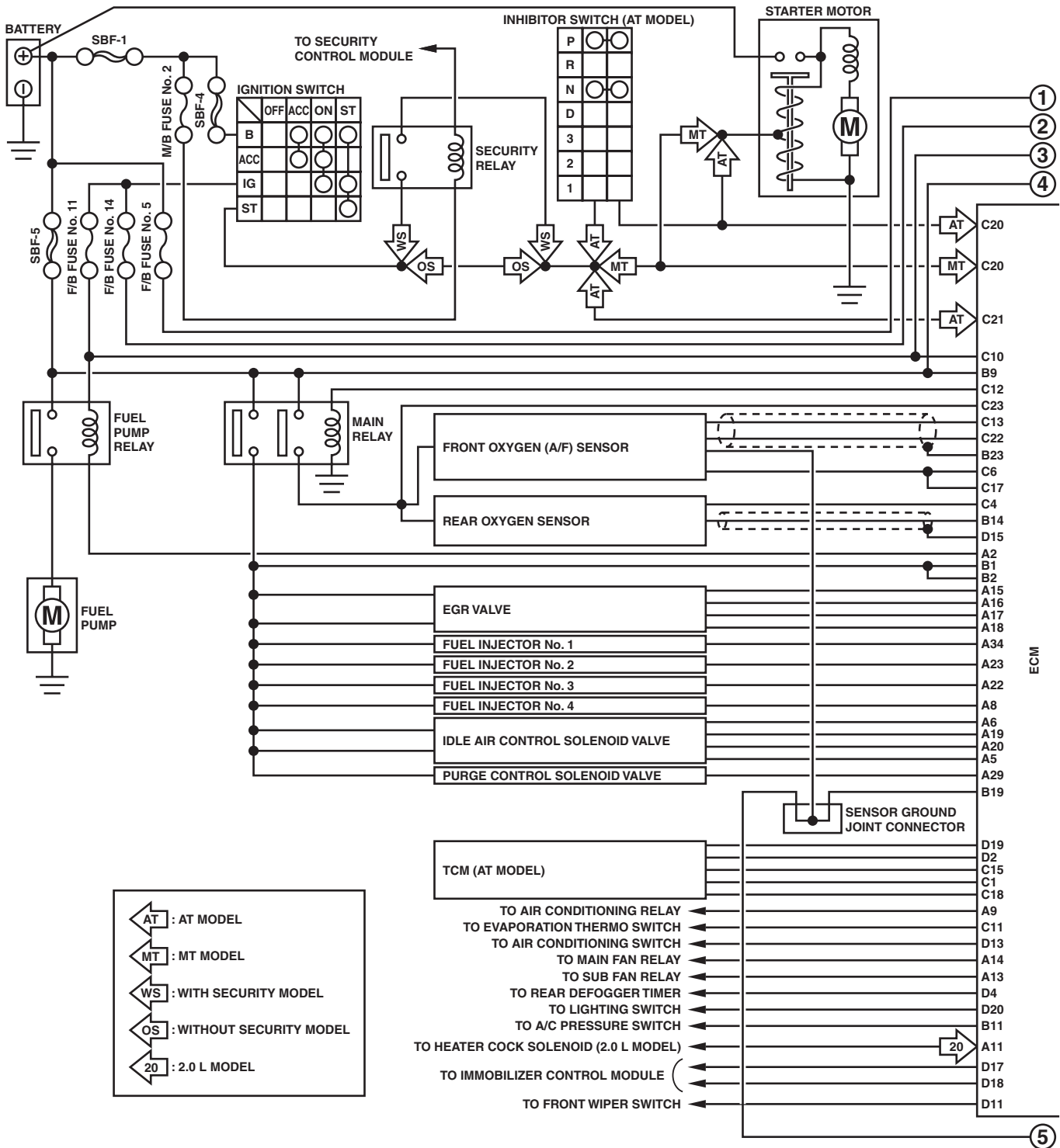
1	2	3	4		5	6				
7	8	9	10	11	12	13	14	15	16	
17	18	19	20	21	22	23	24	25	26	27
28	29	30		31	32	33	34	35		

WI-03293

Engine Electrical System

WIRING SYSTEM

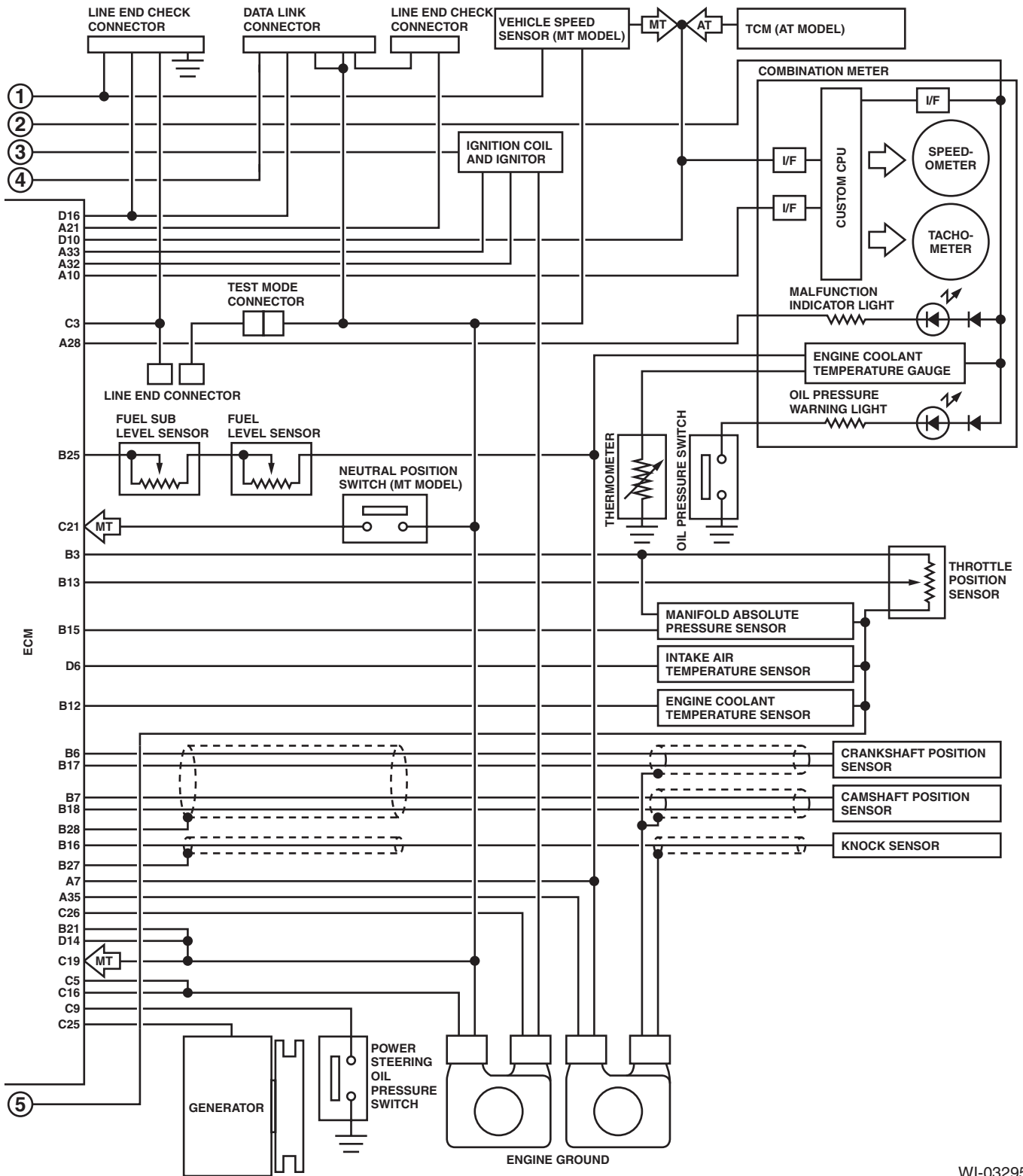
3. RHD NON-TURBO MODEL



WI-03294

Engine Electrical System

WIRING SYSTEM



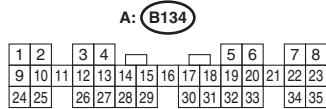
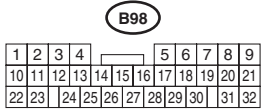
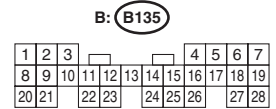
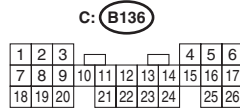
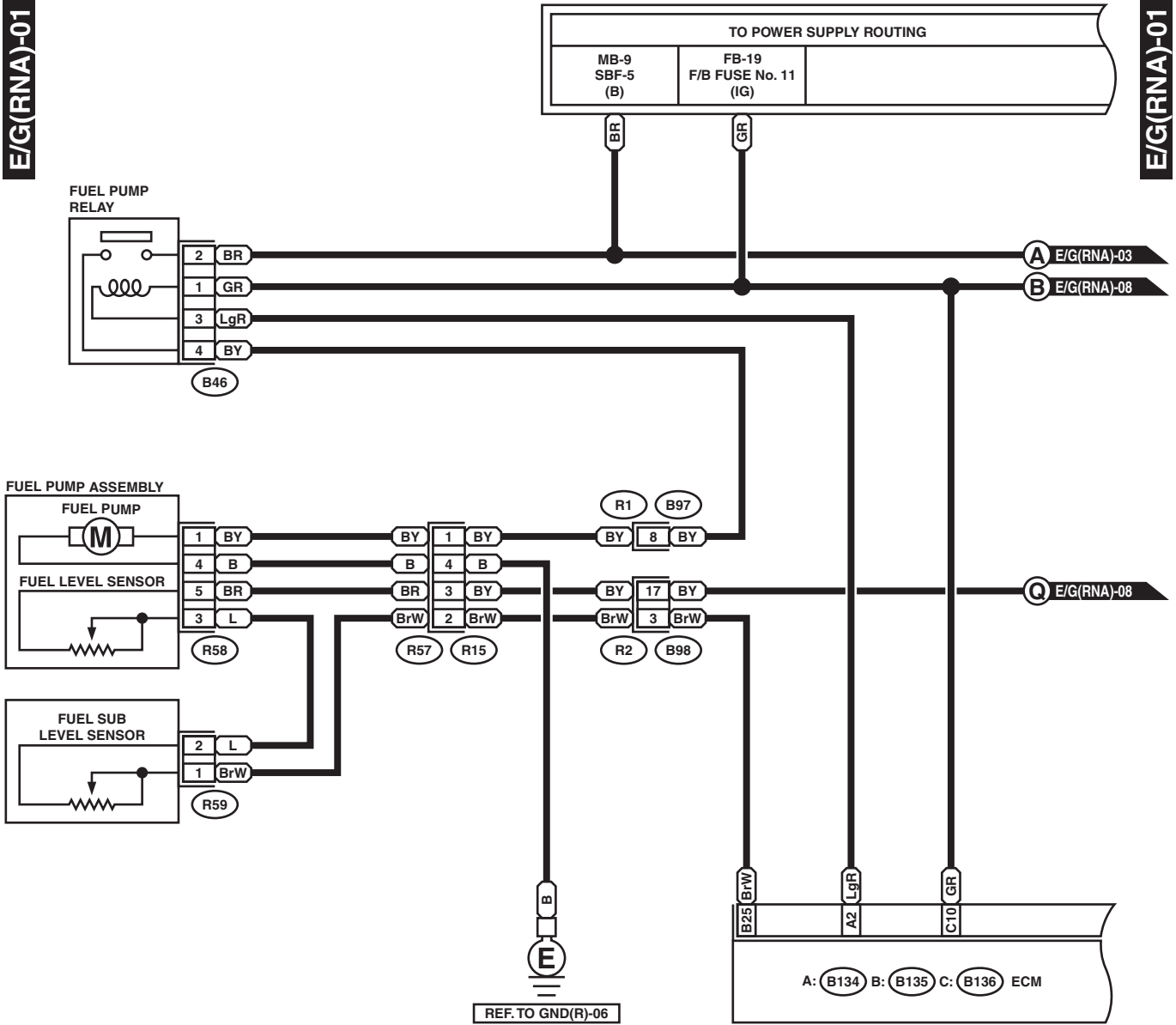
WI-03295

Engine Electrical System

WIRING SYSTEM

E/G(RNA)-01

E/G(RNA)-01



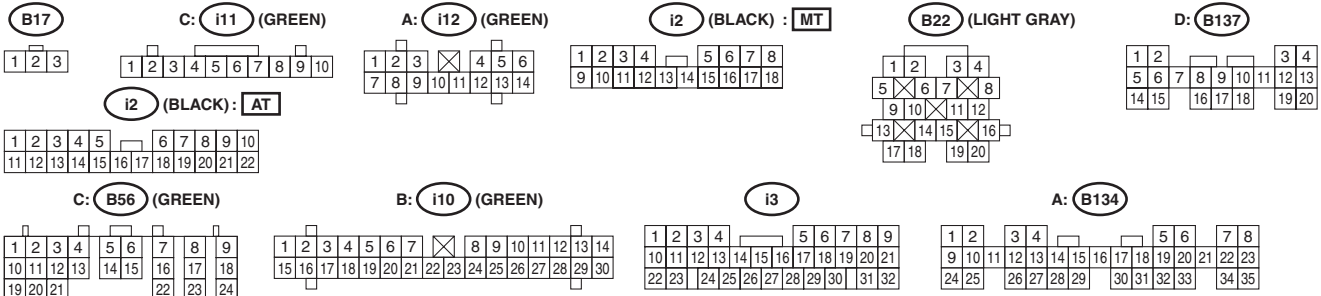
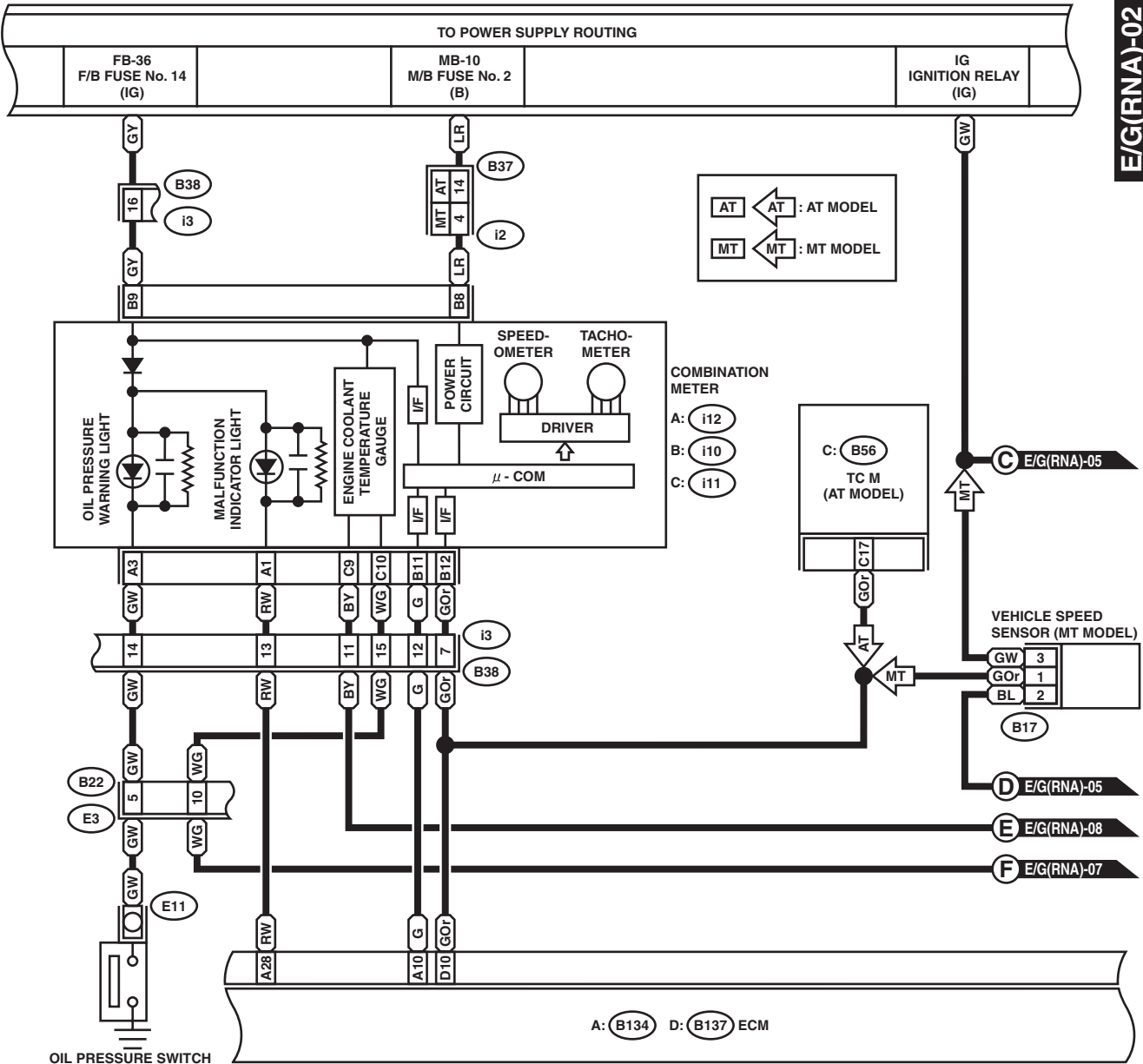
WI-03296

Engine Electrical System

WIRING SYSTEM

E/G(RNA)-02

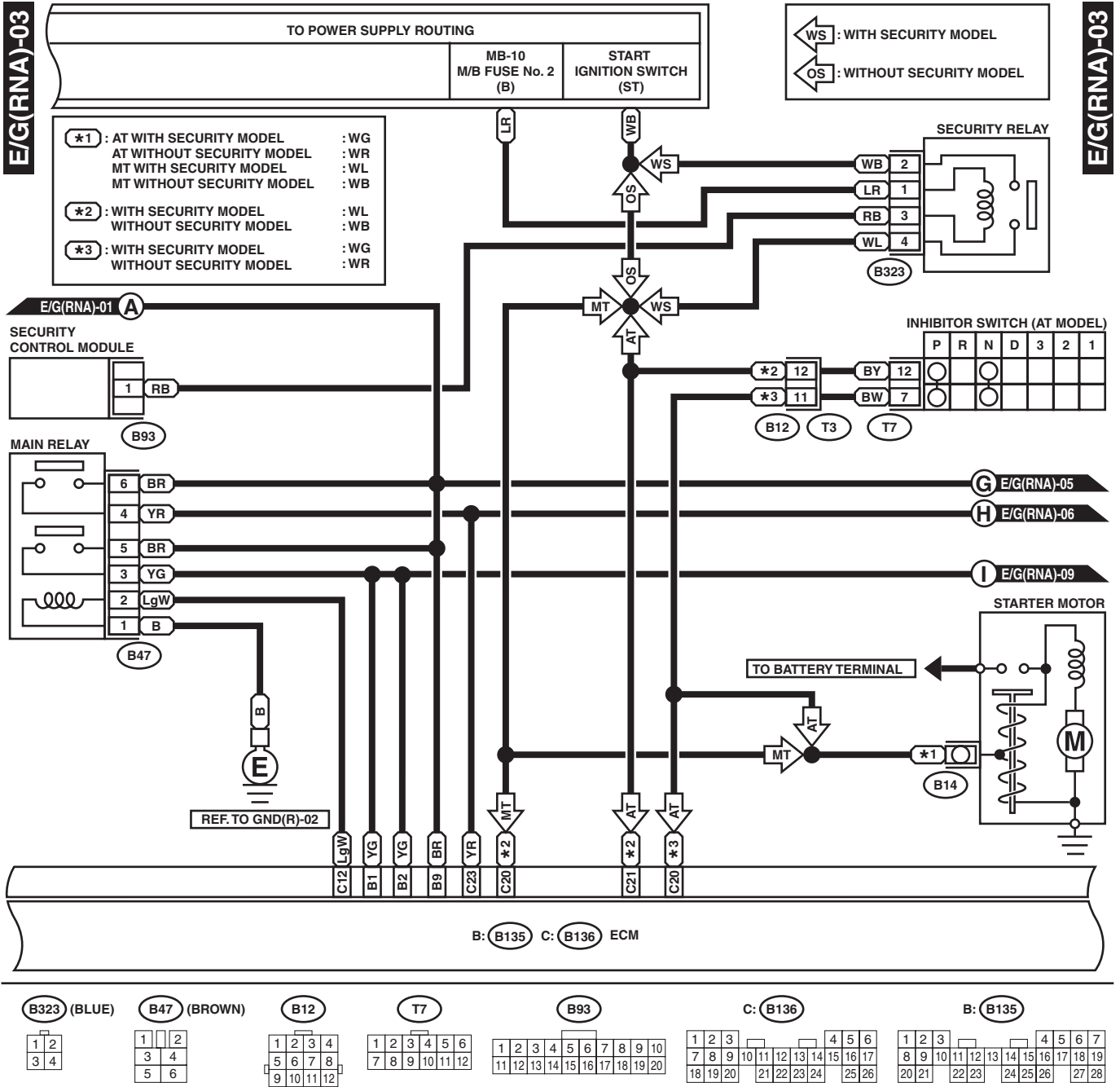
E/G(RNA)-02



WI-03297

Engine Electrical System

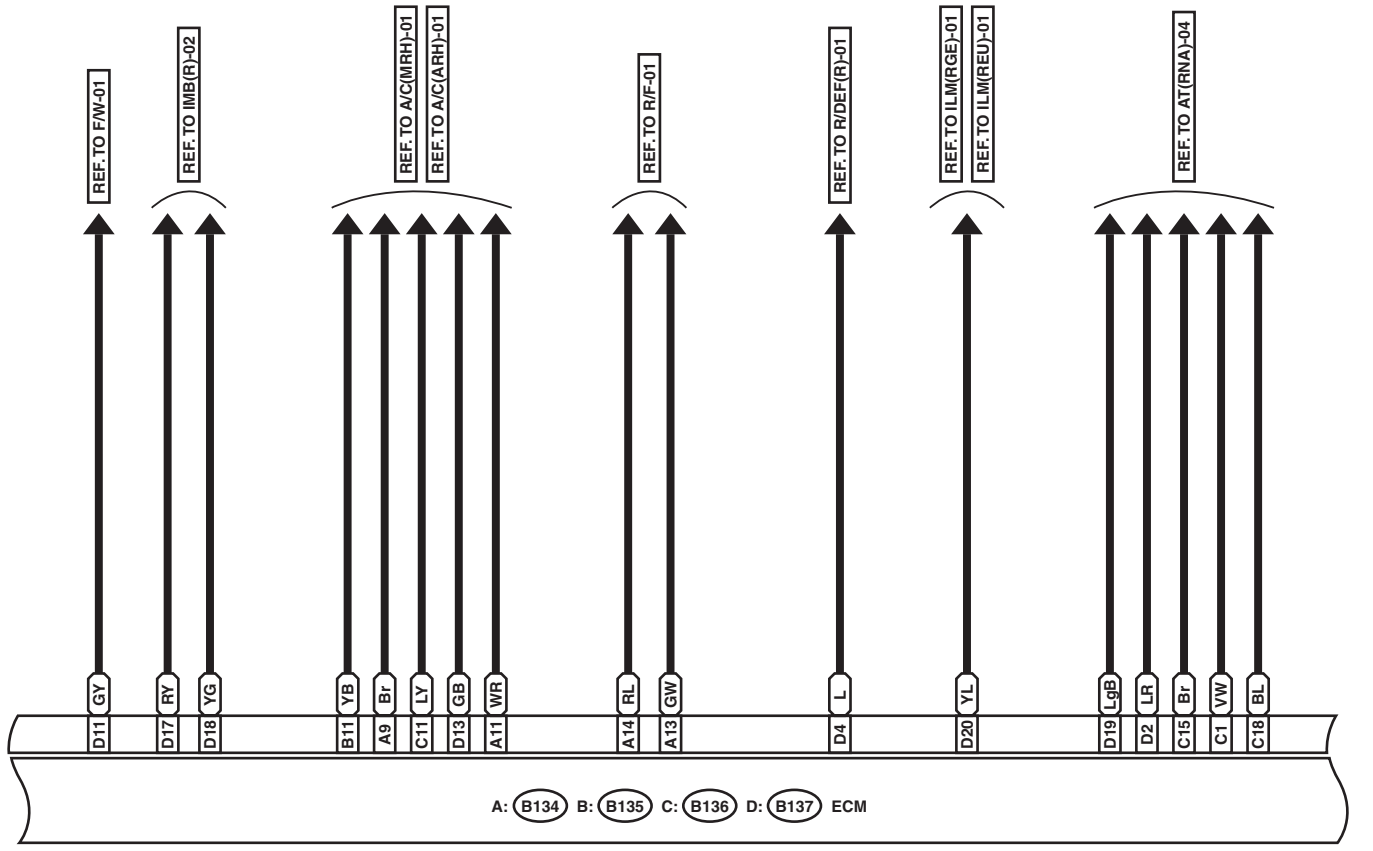
WIRING SYSTEM



WI-00376

E/G(RNA)-04

E/G(RNA)-04



D: B137

1	2	3	4
5	6	7	8
9	10	11	12
13	14	15	16
17	18	19	20

C: B136

1	2	3	4	5	6
7	8	9	10	11	12
13	14	15	16	17	18
19	20	21	22	23	24
25	26				

B: B135

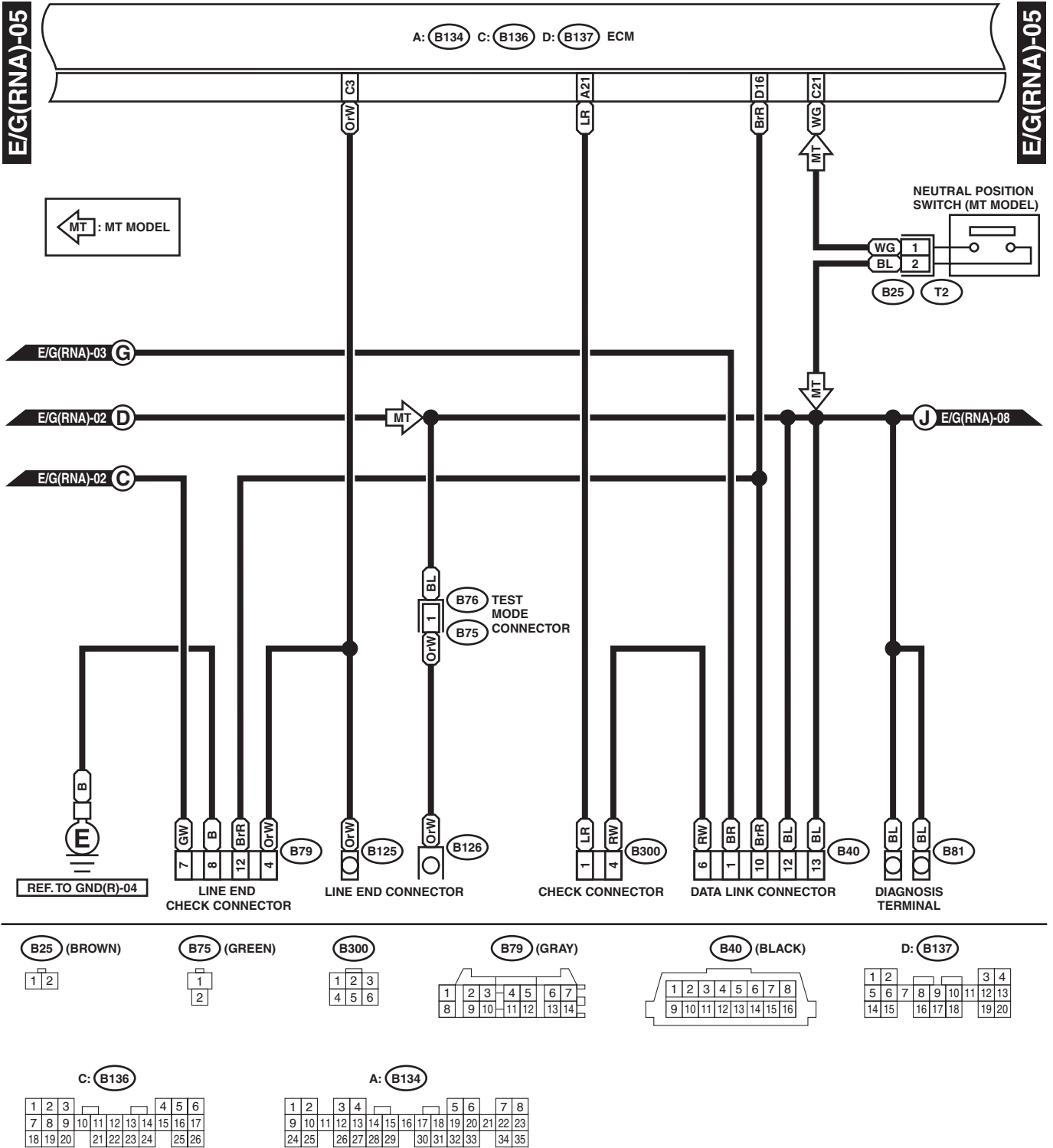
1	2	3	4	5	6	7
8	9	10	11	12	13	14
15	16	17	18	19	20	21
22	23	24	25	26	27	28

A: B134

1	2	3	4	5	6	7	8
9	10	11	12	13	14	15	16
17	18	19	20	21	22	23	24
25	26	27	28	29	30	31	32
33	34	35					

Engine Electrical System

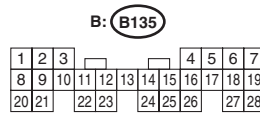
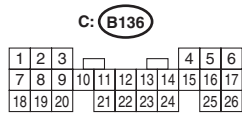
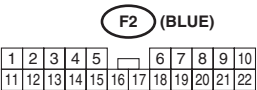
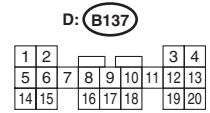
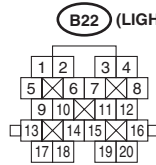
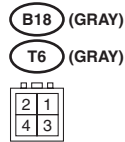
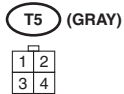
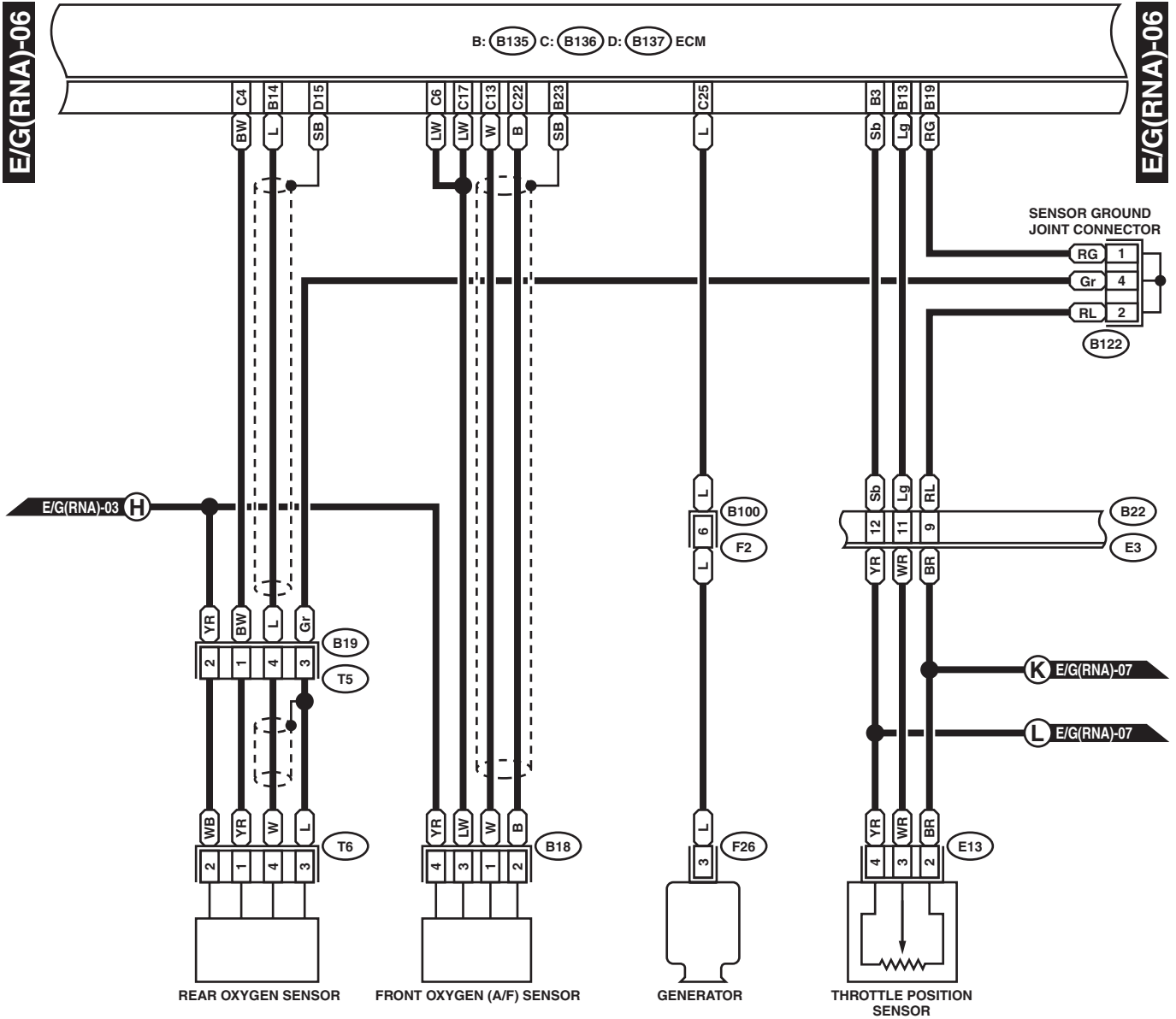
WIRING SYSTEM



WI-03299

Engine Electrical System

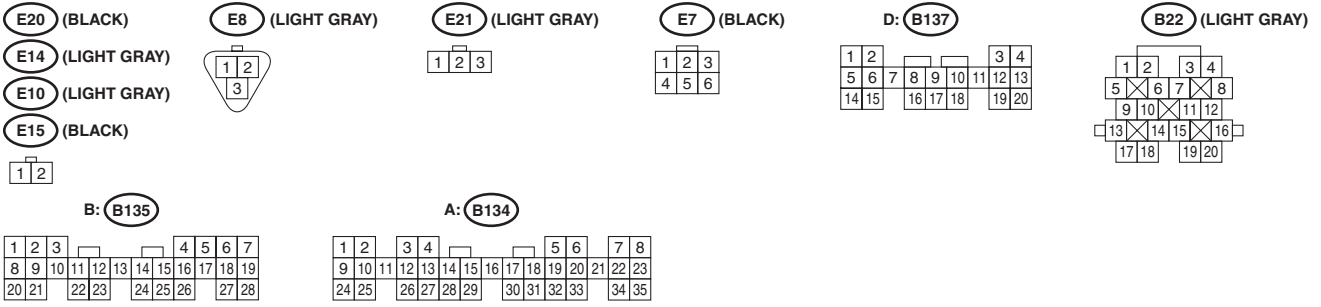
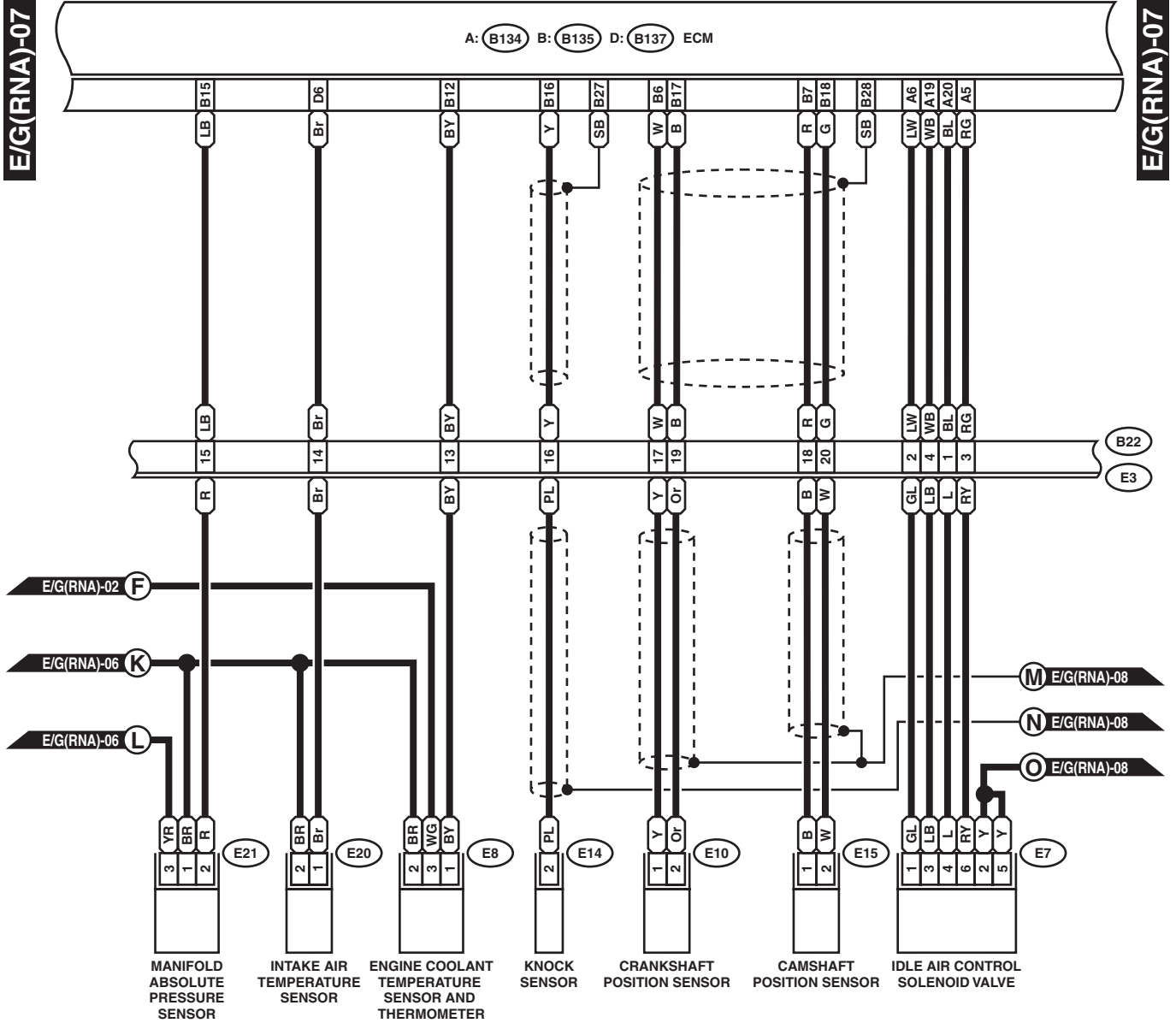
WIRING SYSTEM



WI-03300

Engine Electrical System

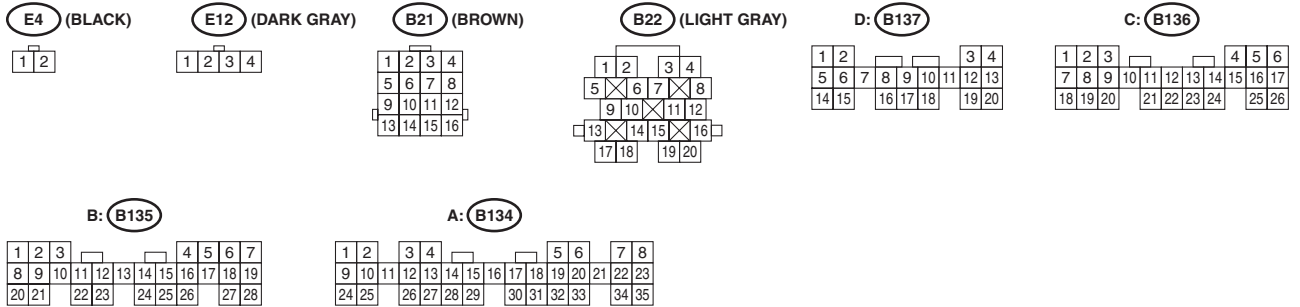
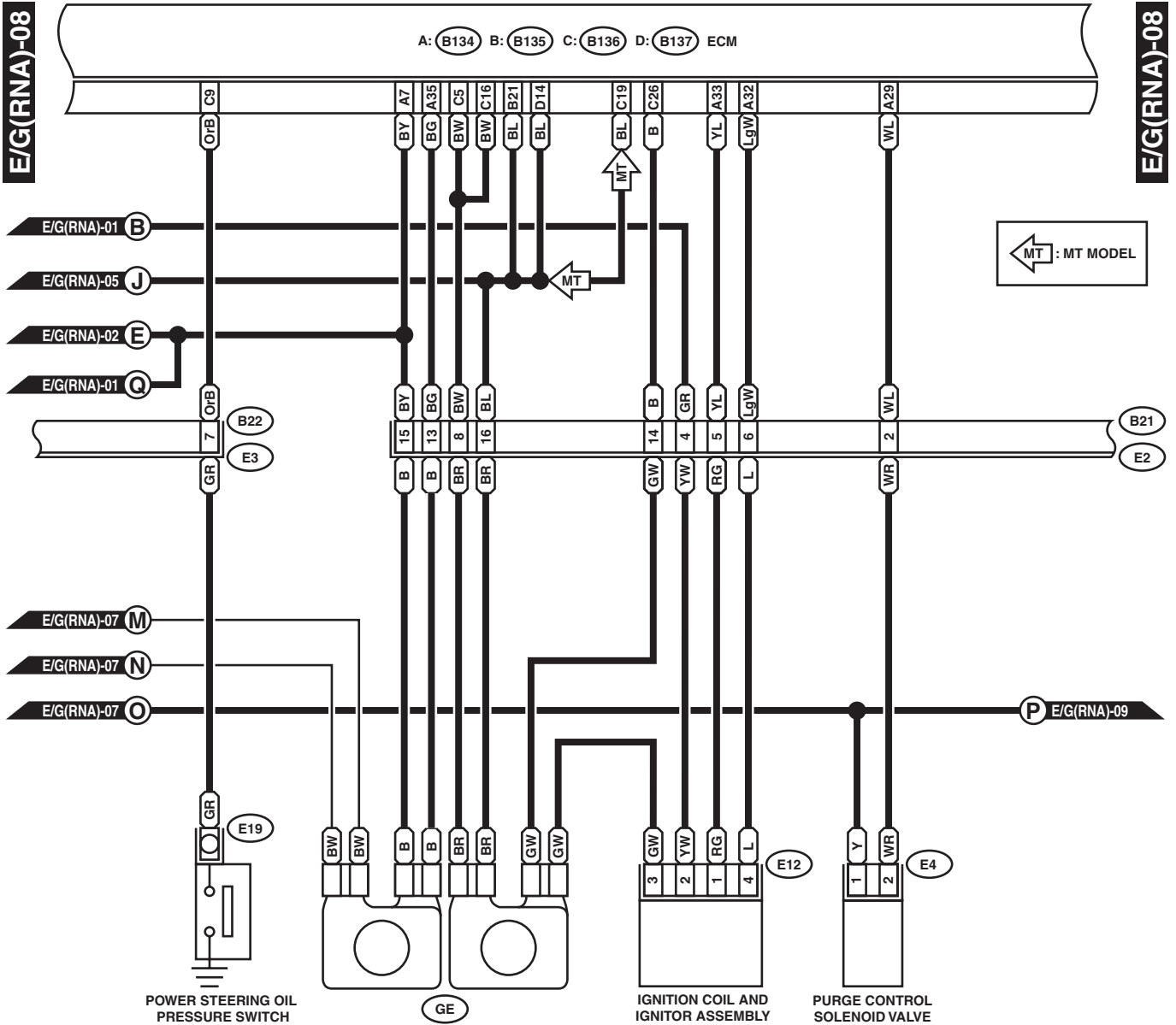
WIRING SYSTEM



WI-00380

Engine Electrical System

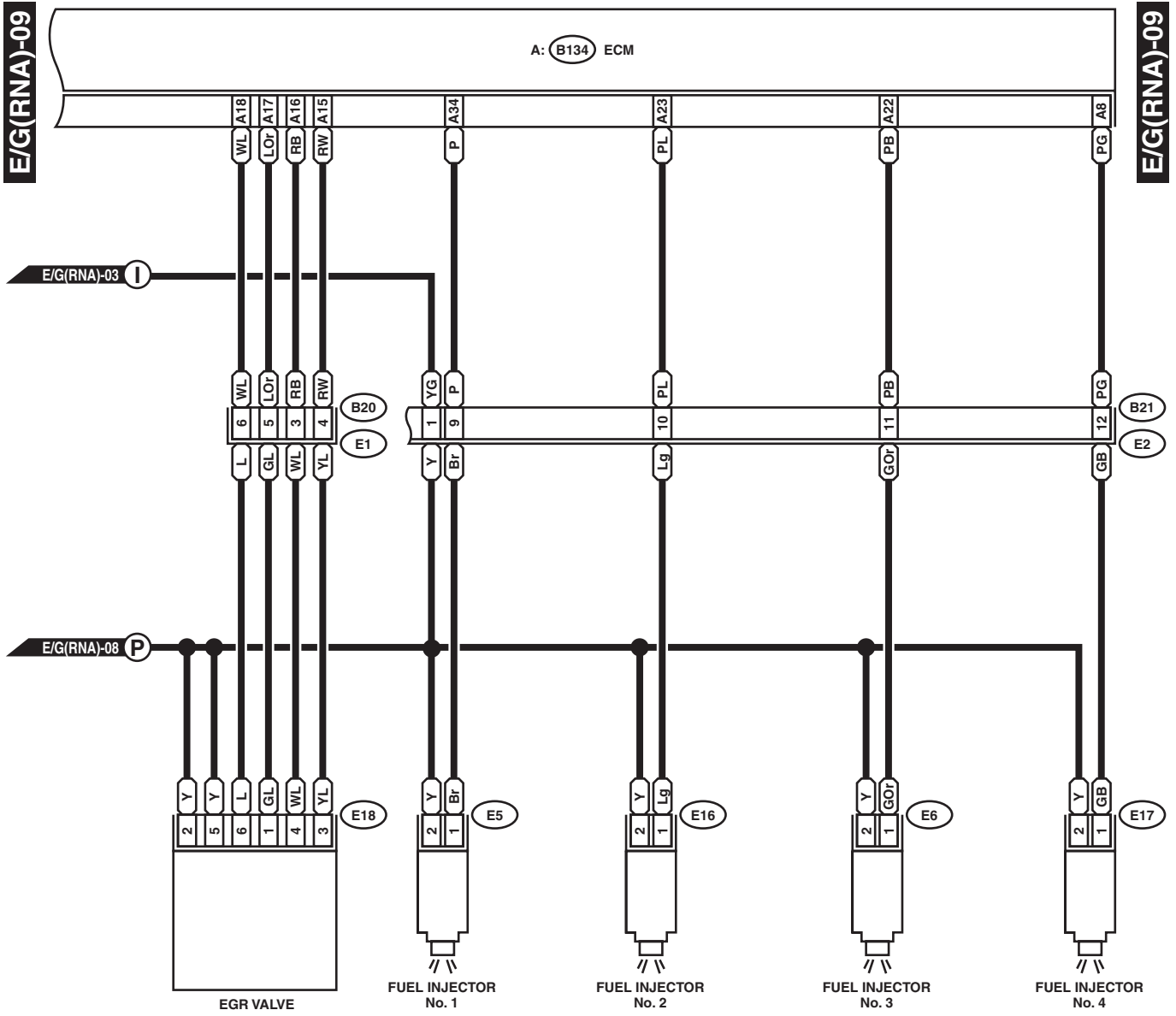
WIRING SYSTEM



WI-03301

Engine Electrical System

WIRING SYSTEM



- (E5) (LIGHT GRAY)
- (E6) (LIGHT GRAY)
- (E16) (LIGHT GRAY)
- (E17) (LIGHT GRAY)

- (B20) (GRAY)
 - (E18) (DARK GRAY)
- | | | |
|---|---|---|
| 1 | 2 | 3 |
| 4 | 5 | 6 |

- (B21) (BROWN)
- | | | | |
|----|----|----|----|
| 1 | 2 | 3 | 4 |
| 5 | 6 | 7 | 8 |
| 9 | 10 | 11 | 12 |
| 13 | 14 | 15 | 16 |

A: (B134)

1	2	3	4			5	6	7	8
9	10	11	12	13	14	15	16	17	18
19	20	21	22	23					
24	25	26	27	28	29	30	31	32	33
						34	35		

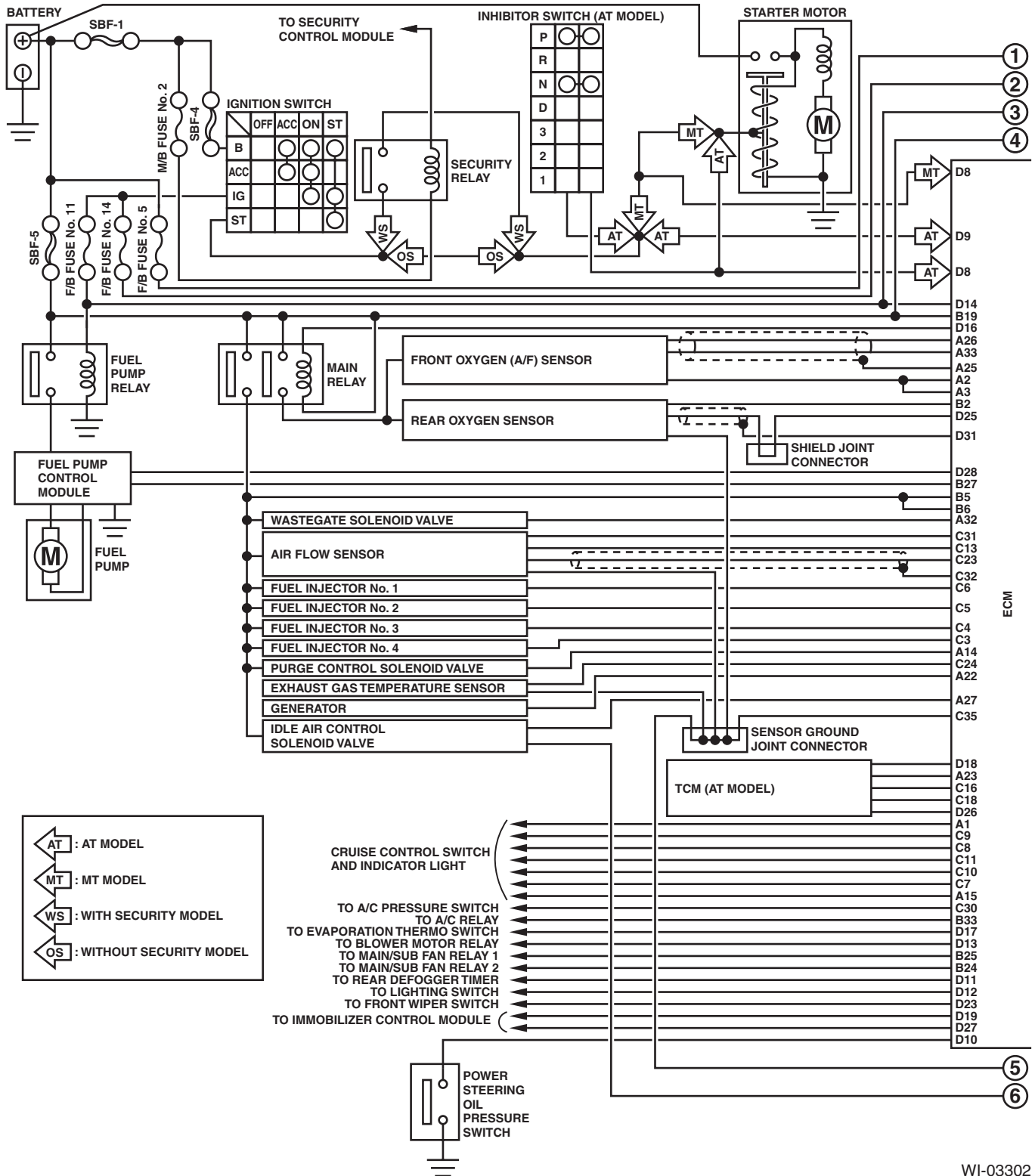


WI-00382

Engine Electrical System

WIRING SYSTEM

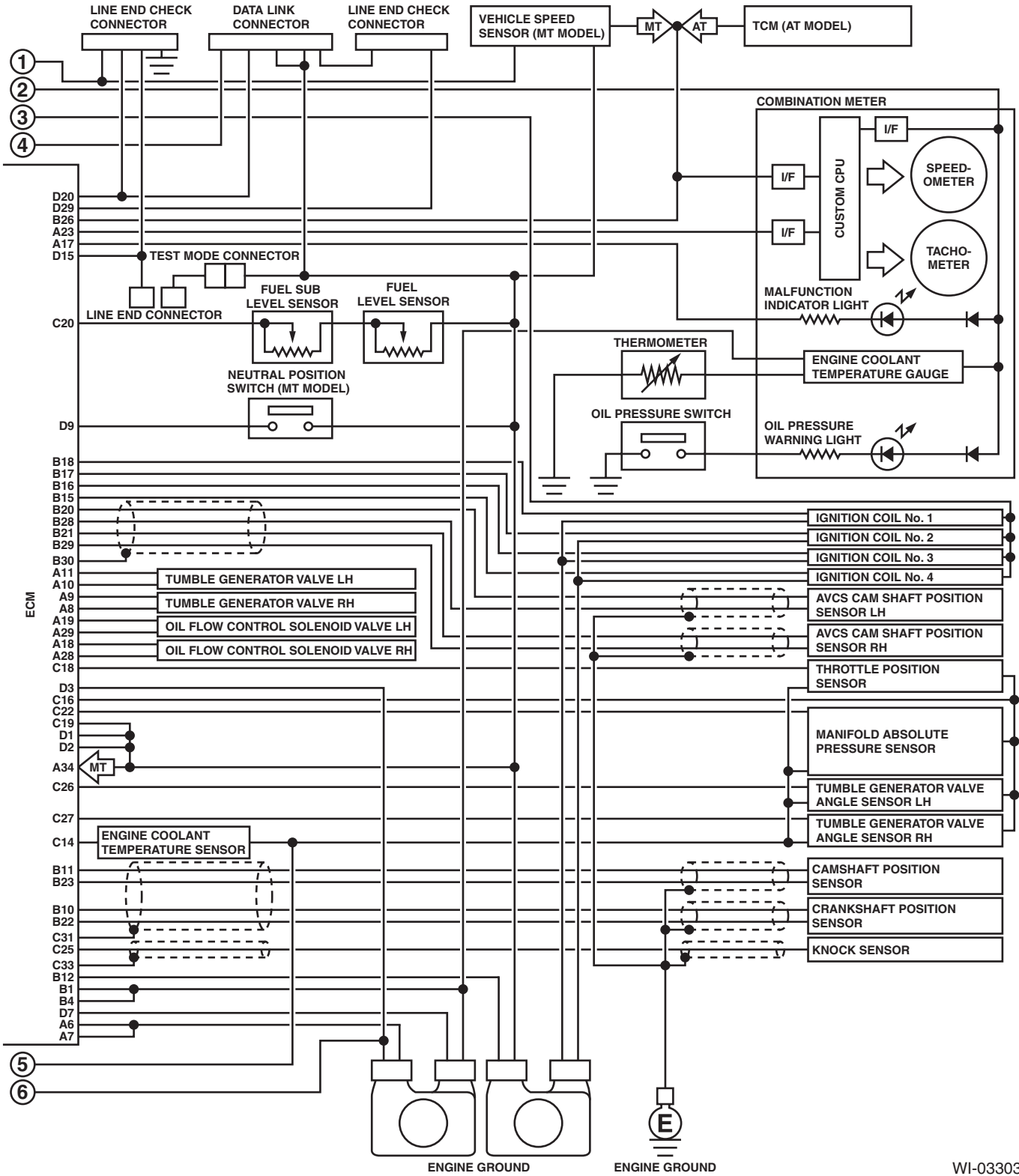
4. RHD TURBO 2.0 L MODEL



WI-03302

Engine Electrical System

WIRING SYSTEM



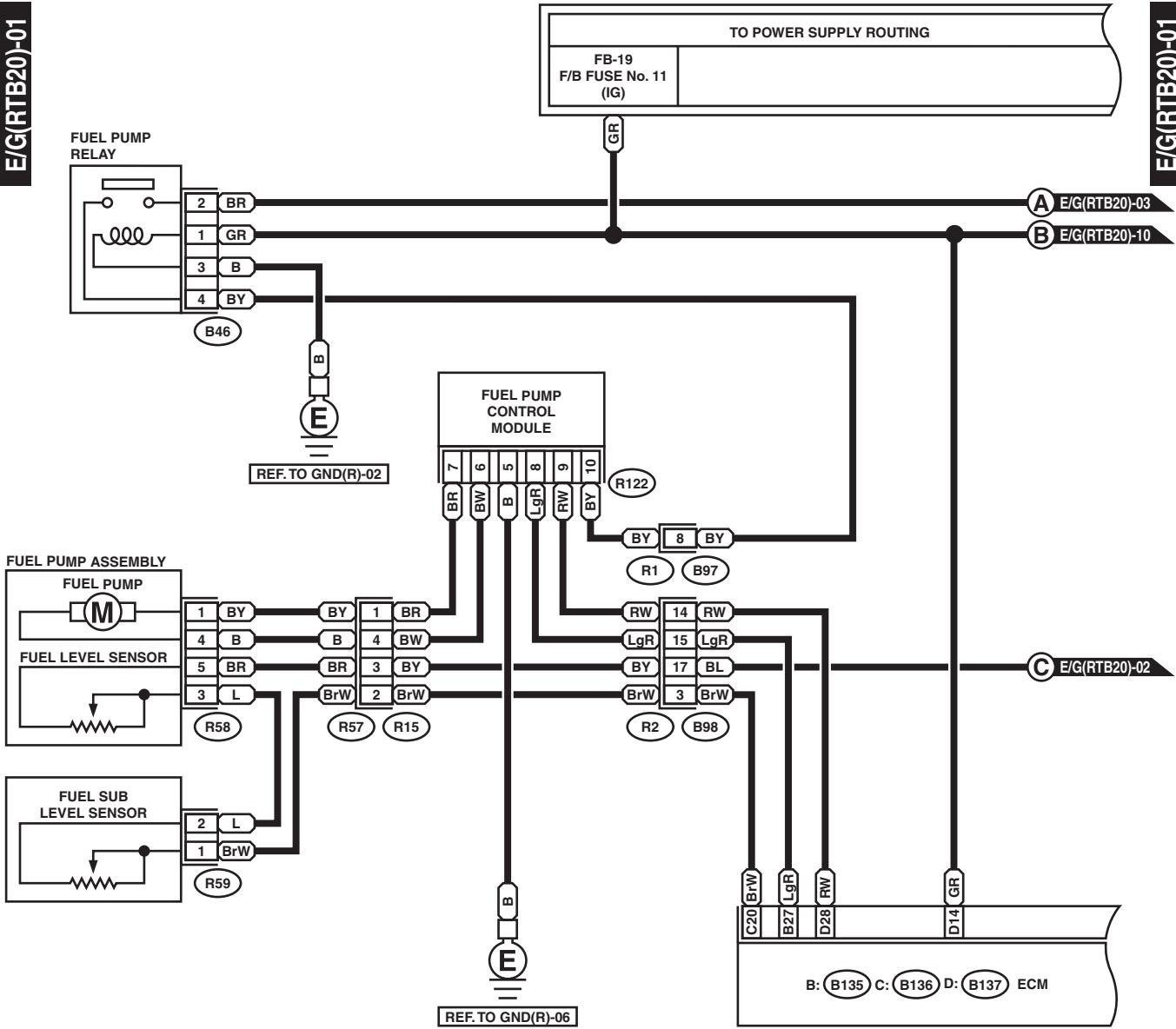
WI-03303

Engine Electrical System

WIRING SYSTEM

E/G(RTB20)-01

E/G(RTB20)-01



R59

1	2
---	---

B46

R15

1	2
3	4

R58

1	2	3
4	5	6

B97

1	2	3	4
5	6	7	8

R122 (BLACK)

1	2		3	4	
5	6	7	8	9	10

D: B137

1	2	3	4	5	6	7			
8	9	10	11	12	13	14	15	16	17
18	19	20	21	22	23	24	25		
26	27			28	29	30	31		

B98

1	2	3	4		5	6	7	8	9		
10	11	12	13	14	15	16	17	18	19	20	21
22	23	24	25	26	27	28	29	30	31	32	

B: B135

1	2		3	4	5	6	7				
8	9	10	11	12	13	14	15	16	17	18	19
20	21	22	23		24	25		26	27		
28	29	30	31		32	33		34	35		

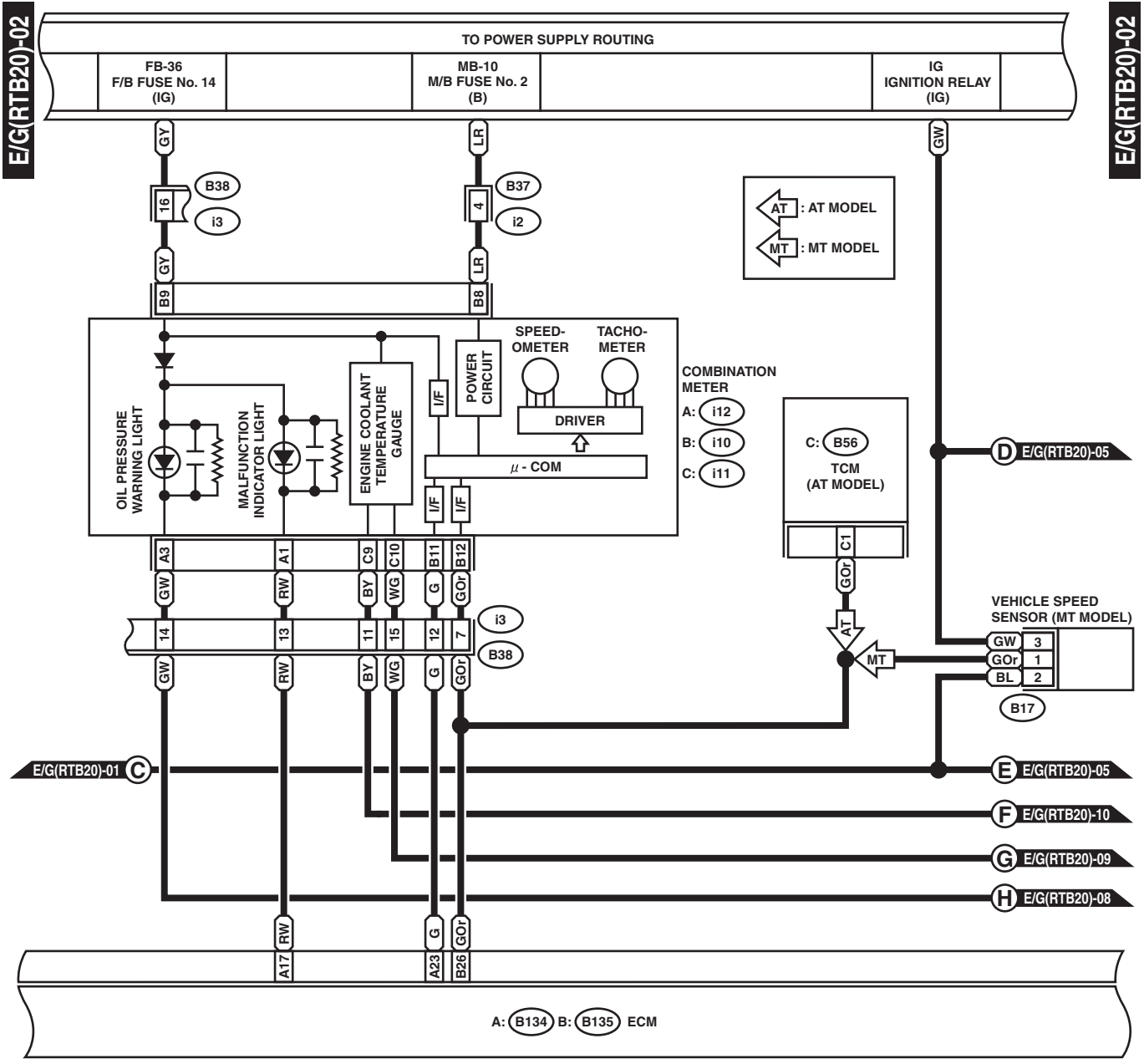
C: B136

1	2	3	4		5	6					
7	8	9	10	11	12	13	14	15	16		
17	18	19	20	21	22	23	24	25	26	27	
28	29	30			31	32	33	34	35		

WI-03304

Engine Electrical System

WIRING SYSTEM



B17 (BLACK)

1	2
3	4

C: i11 (GREEN)

1	2	3	4	5	6	7	8	9	10
---	---	---	---	---	---	---	---	---	----

A: i12 (GREEN)

1	2	3	4	5	6		
7	8	9	10	11	12	13	14

i2 (BLACK)

1	2	3	4	5	6	7	8		
9	10	11	12	13	14	15	16	17	18

B: i10 (GREEN)

1	2	3	4	5	6	7	8	9	10	11	12	13	14		
15	16	17	18	19	20	21	22	23	24	25	26	27	28	29	30

C: B56

1	2	3	4	5	6	7	8	9			
10	11	12	13	14	15	16	17	18	19	20	21
22	23	24	25	26	27	28	29	30	31		

i3

1	2	3	4	5	6	7	8	9			
10	11	12	13	14	15	16	17	18	19	20	21
22	23	24	25	26	27	28	29	30	31	32	

A: B134

1	2	3	4	5	6	7			
8	9	10	11	12	13	14	15	16	17
18	19	20	21	22	23	24	25	26	27
28	29	30	31	32	33	34			

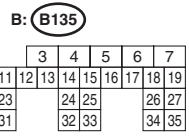
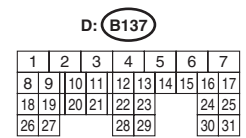
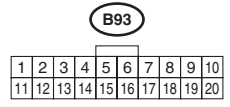
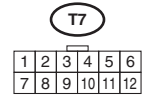
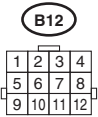
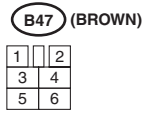
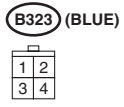
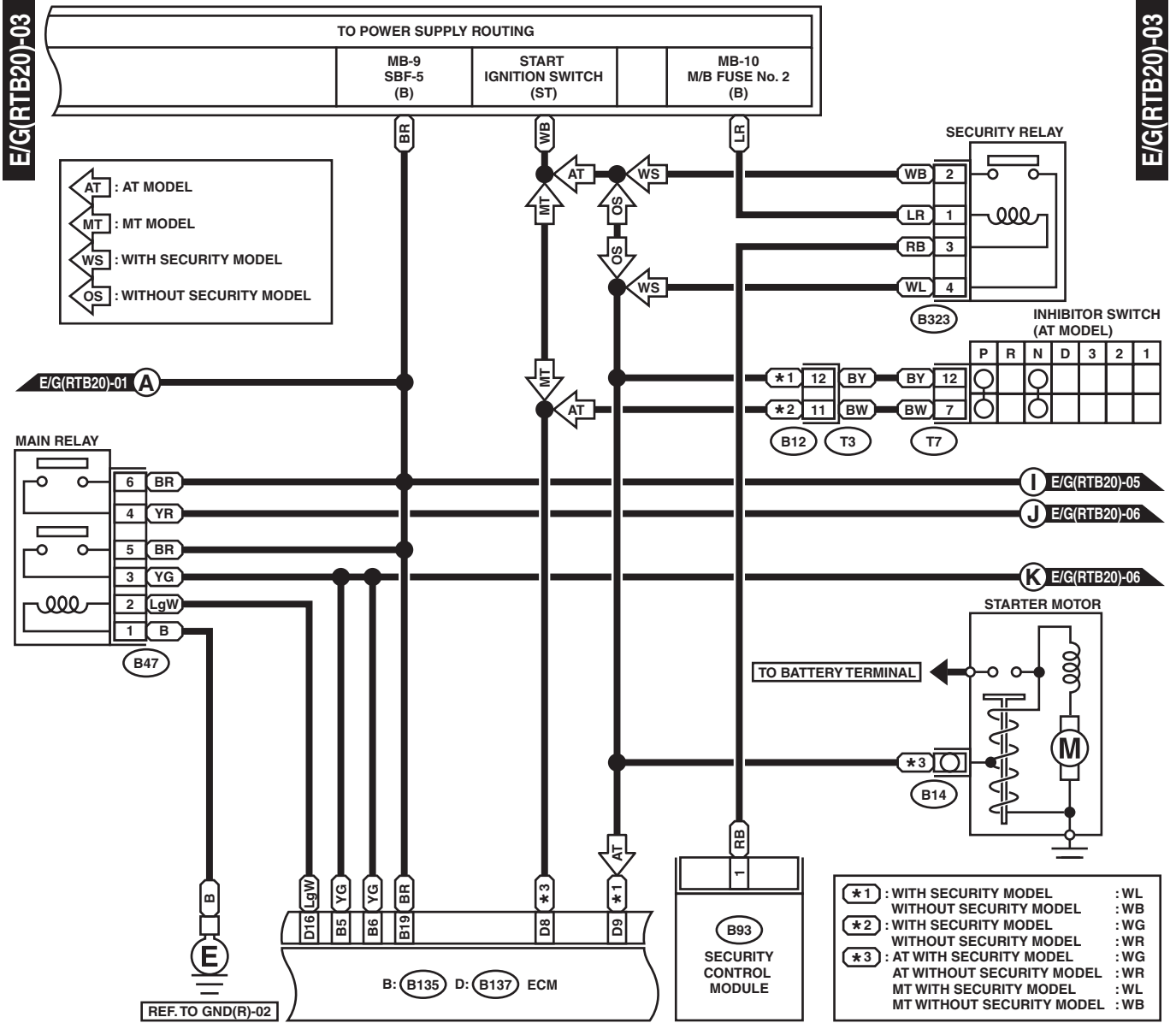
B: B135

1	2	3	4	5	6	7					
8	9	10	11	12	13	14	15	16	17	18	19
20	21	22	23	24	25	26	27				
28	29	30	31	32	33	34	35				

WI-03305

Engine Electrical System

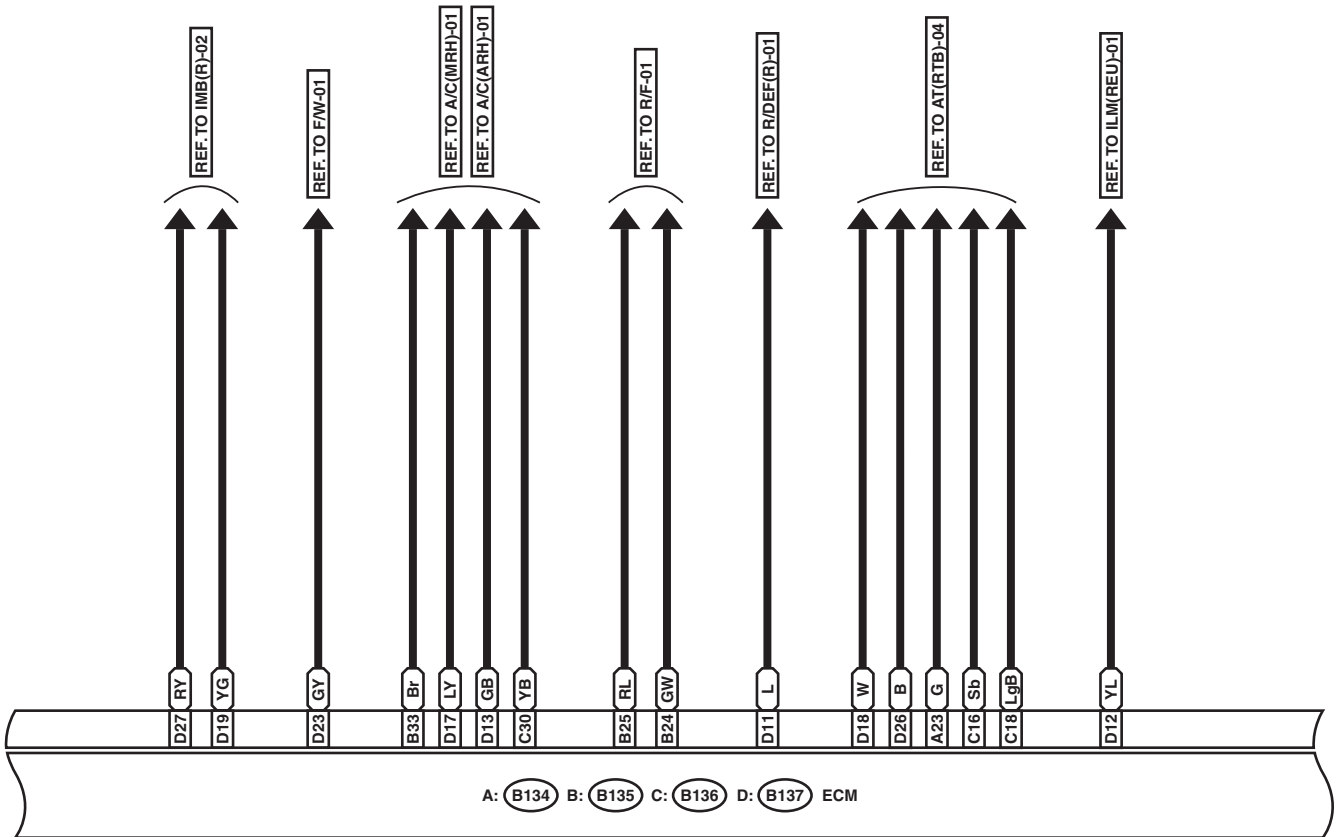
WIRING SYSTEM



WI-03306

E/G(RTB20)-04

E/G(RTB20)-04



D: (B137)

1	2	3	4	5	6	7
8	9	10	11	12	13	14
15	16	17	18	19	20	21
22	23	24	25	26	27	
28	29	30	31	32	33	34

A: (B134)

1	2	3	4	5	6	7
8	9	10	11	12	13	14
15	16	17	18	19	20	21
22	23	24	25	26	27	
28	29	30	31	32	33	34

B: (B135)

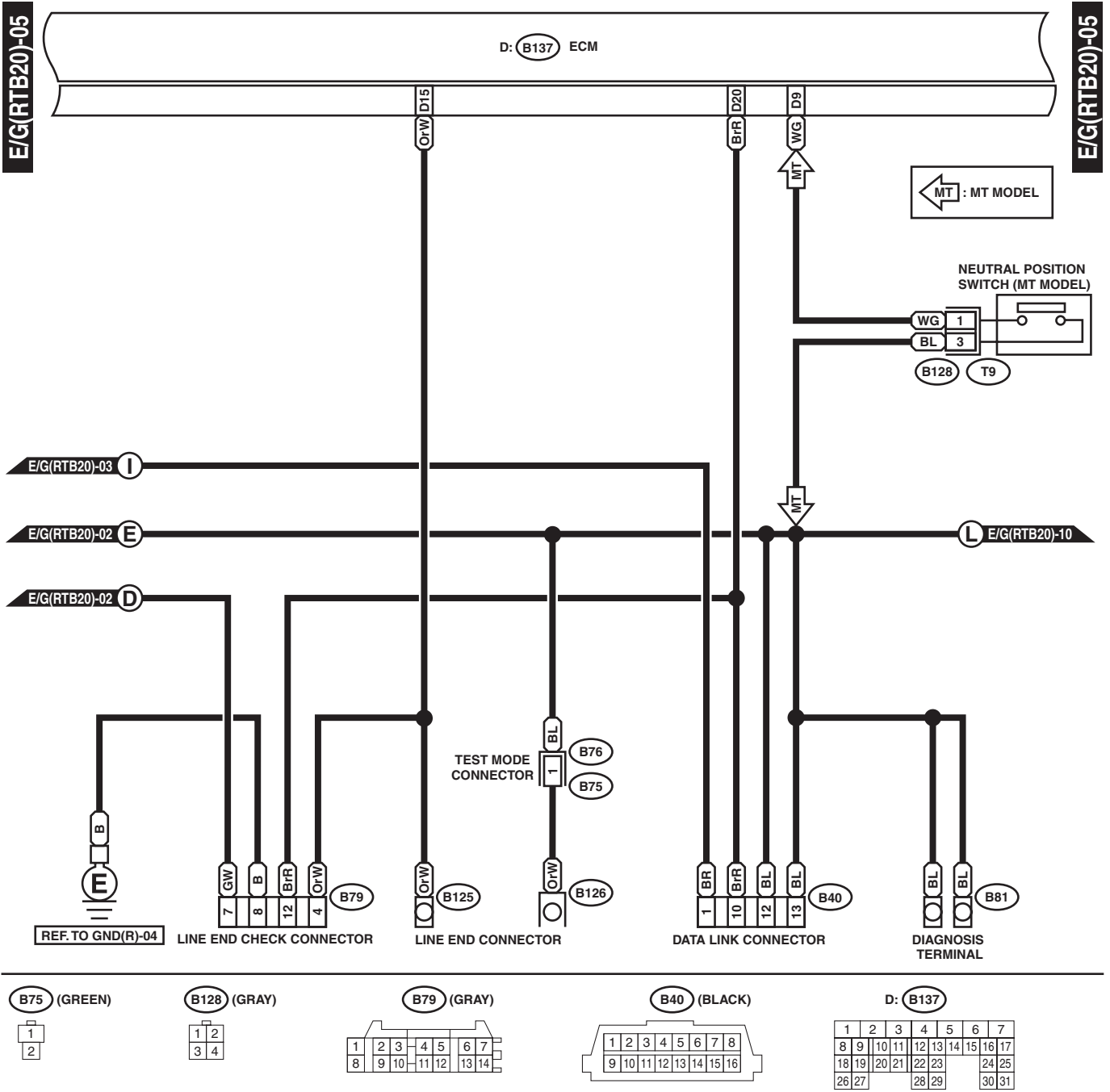
1	2	3	4	5	6	7
8	9	10	11	12	13	14
15	16	17	18	19	20	21
22	23	24	25	26	27	
28	29	30	31	32	33	34

C: (B136)

1	2	3	4	5	6
7	8	9	10	11	12
13	14	15	16	17	18
19	20	21	22	23	24
25	26	27	28	29	30
31	32	33	34	35	

Engine Electrical System

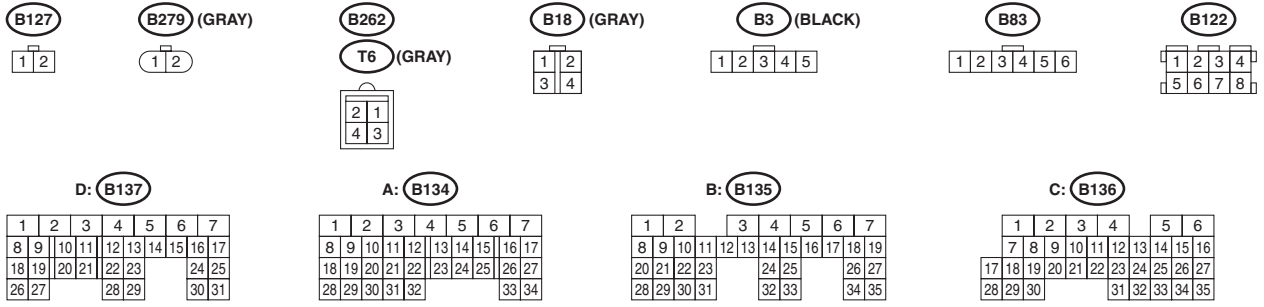
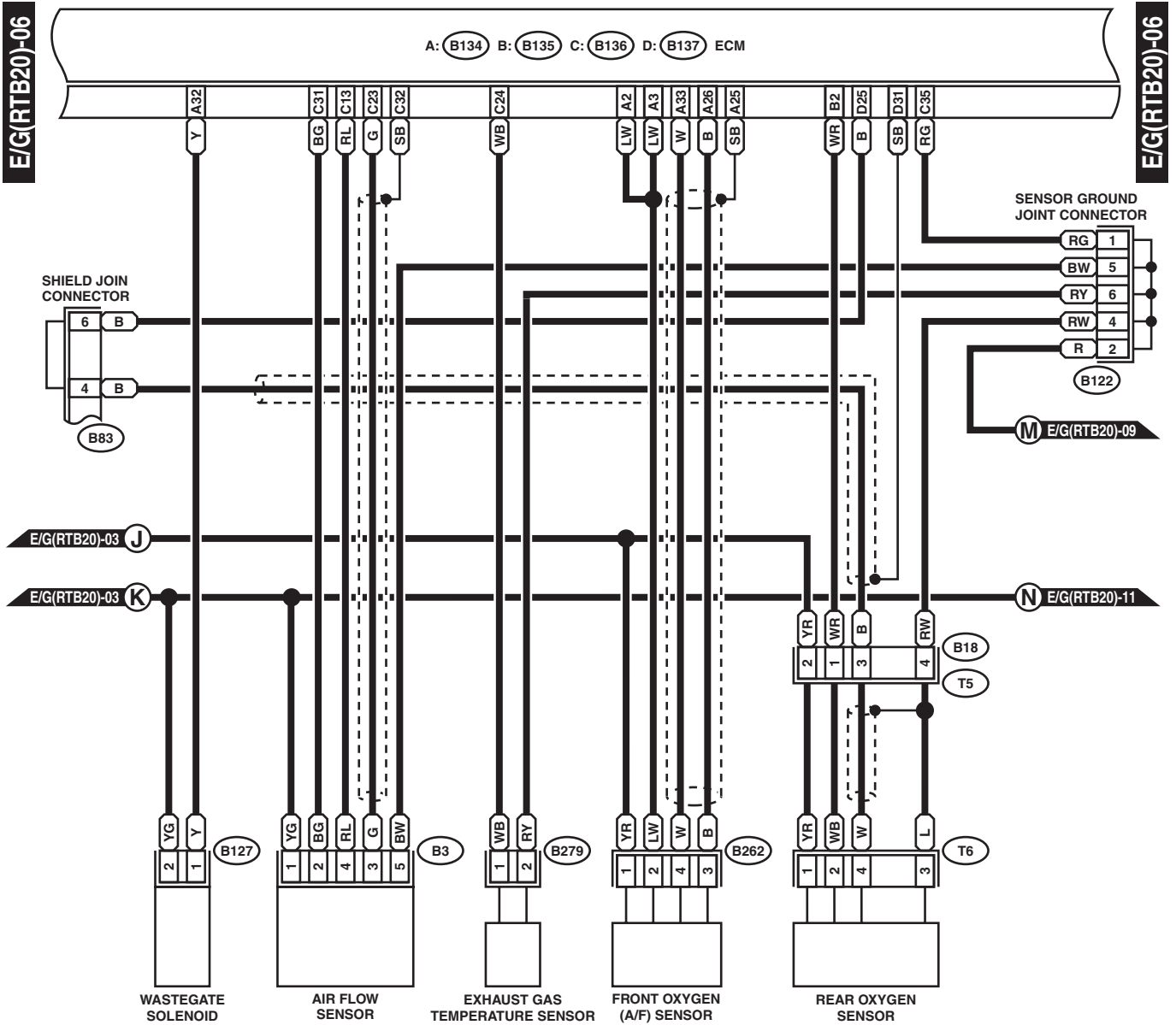
WIRING SYSTEM



WI-03308

Engine Electrical System

WIRING SYSTEM



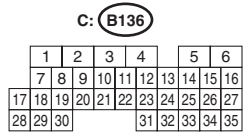
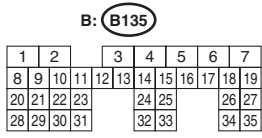
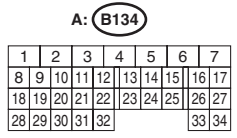
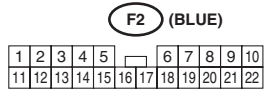
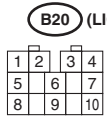
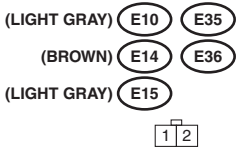
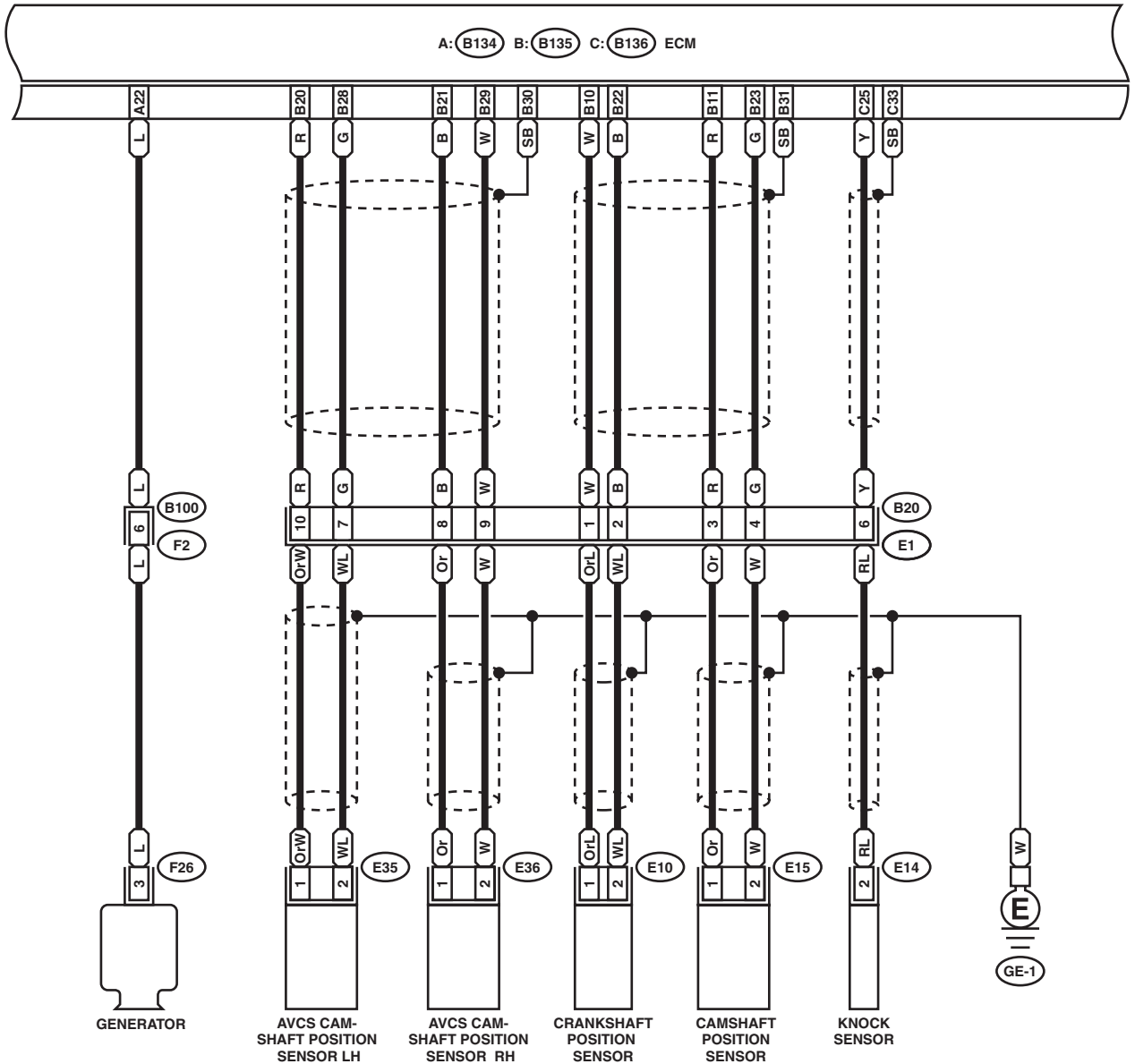
WI-03309

Engine Electrical System

WIRING SYSTEM

E/G(RTB20)-07

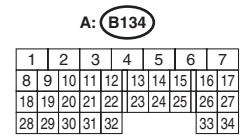
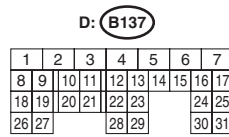
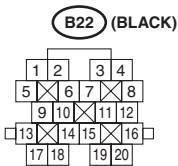
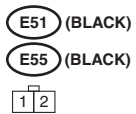
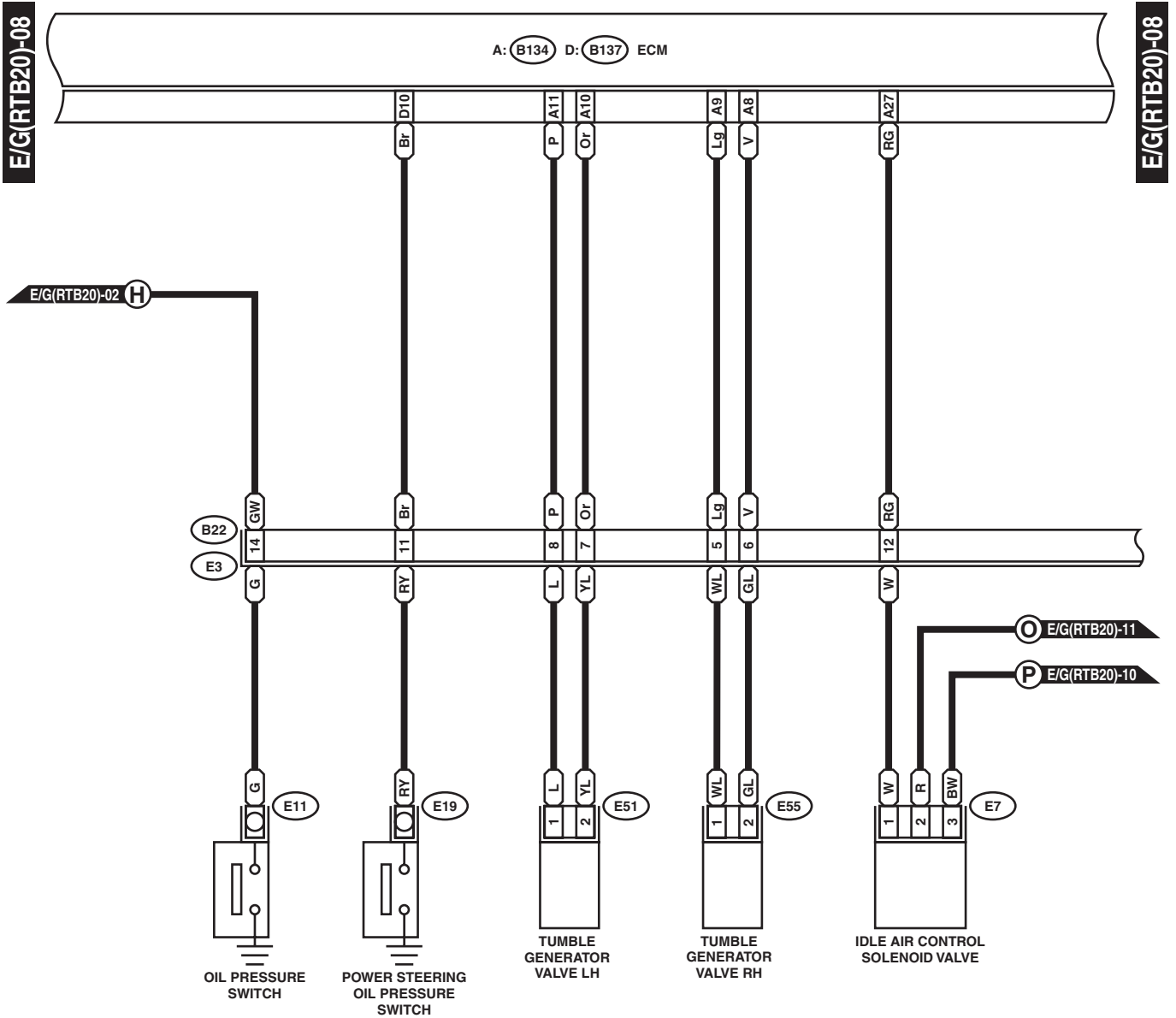
E/G(RTB20)-07



WI-03310

Engine Electrical System

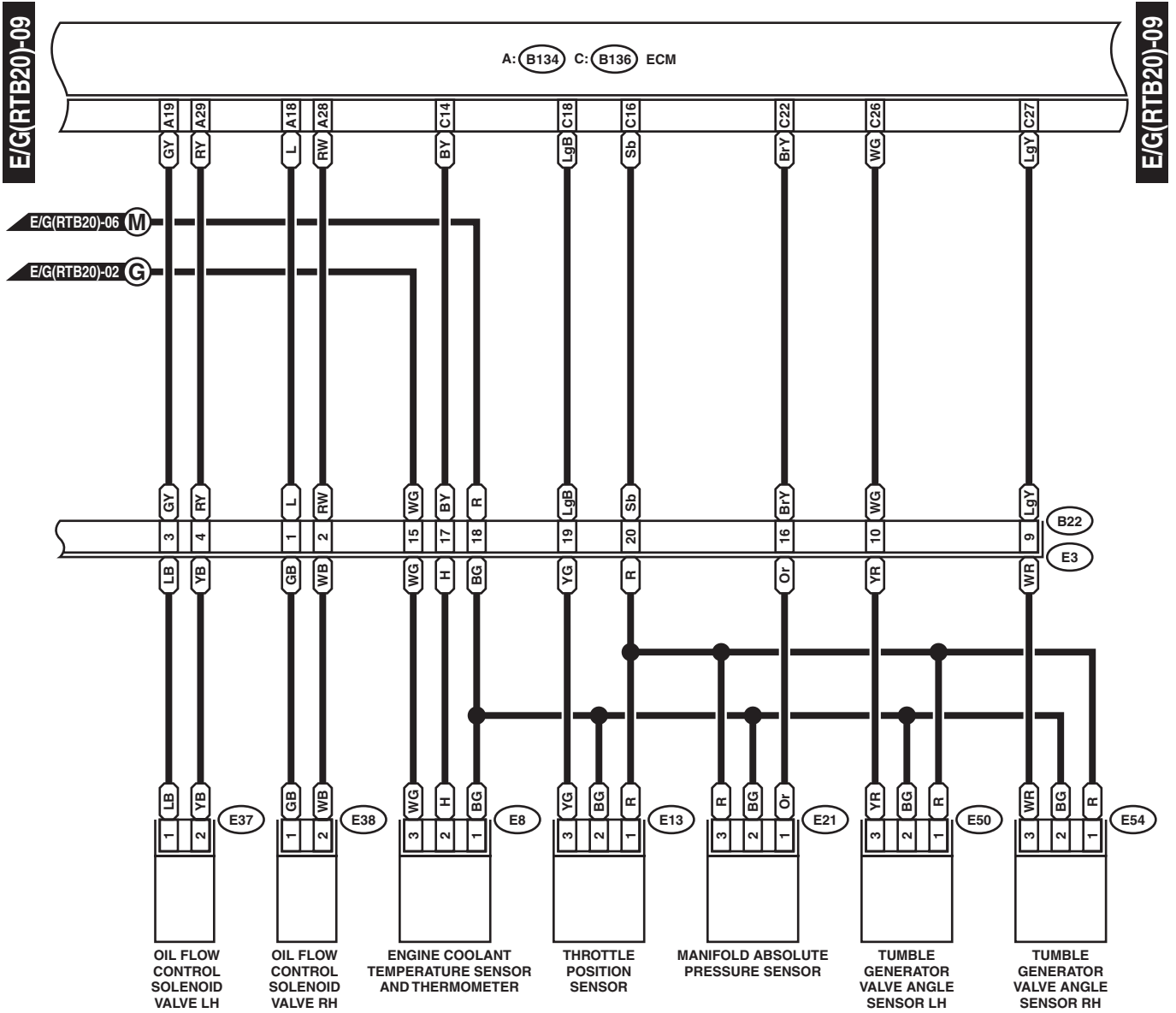
WIRING SYSTEM



WI-03311

Engine Electrical System

WIRING SYSTEM



E37 (BLUE)

E8 (LIGHT GRAY)

E13 (BLACK)

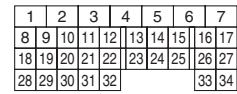
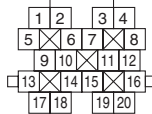
B22 (BLACK)

A: B134

E38 (BLUE)



E21 (BLACK)

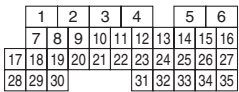


E50 (BLACK)

E54 (BLACK)



C: B136



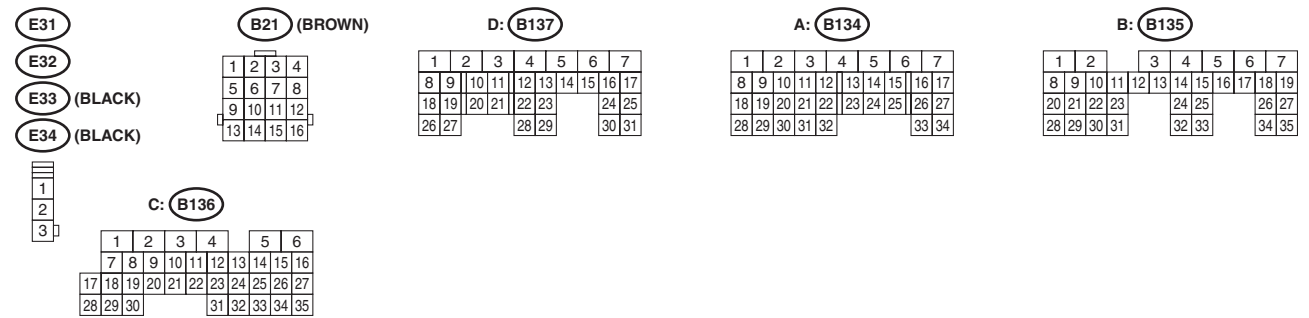
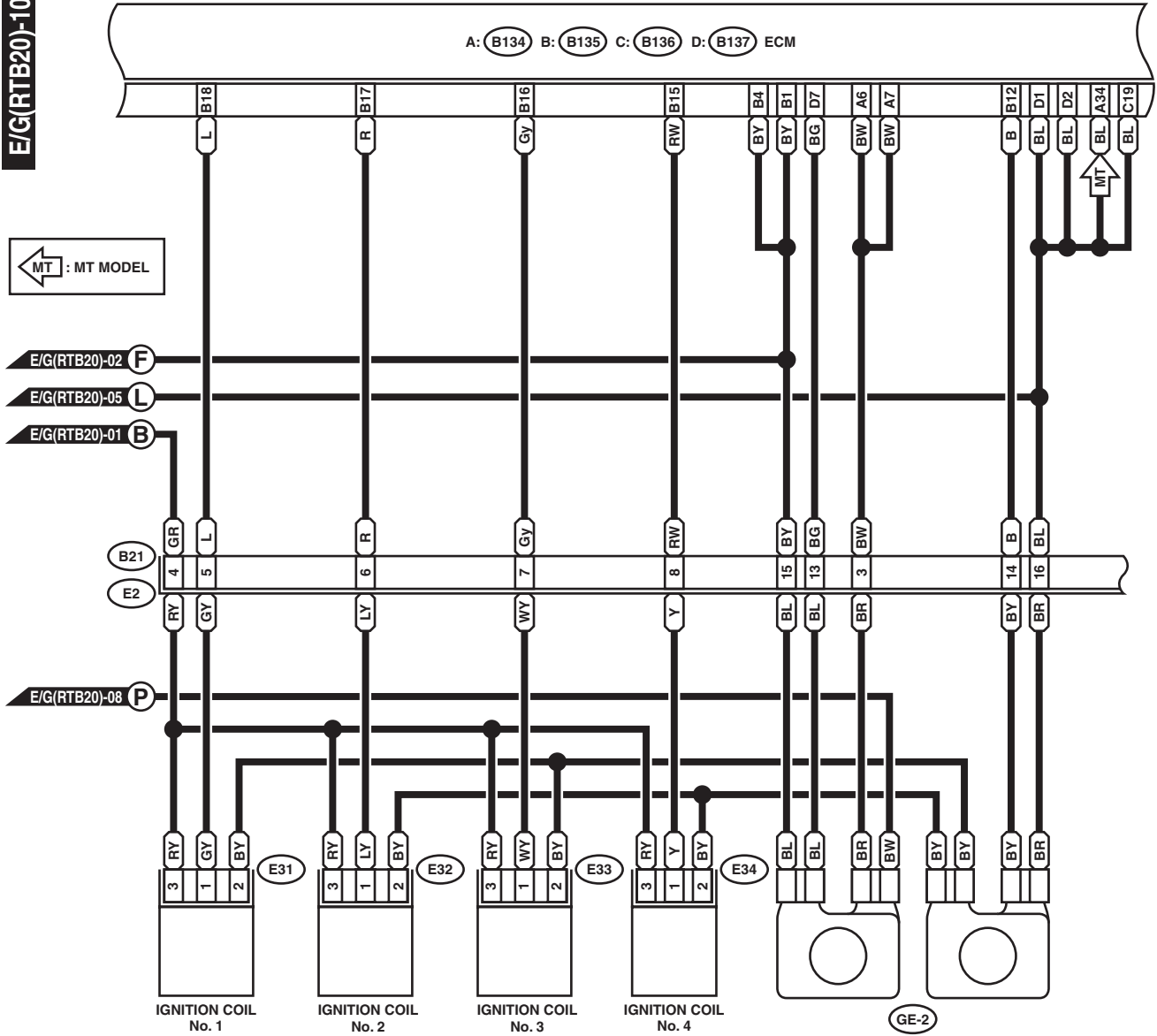
WI-03312

Engine Electrical System

WIRING SYSTEM

E/G(RTB20)-10

E/G(RTB20)-10



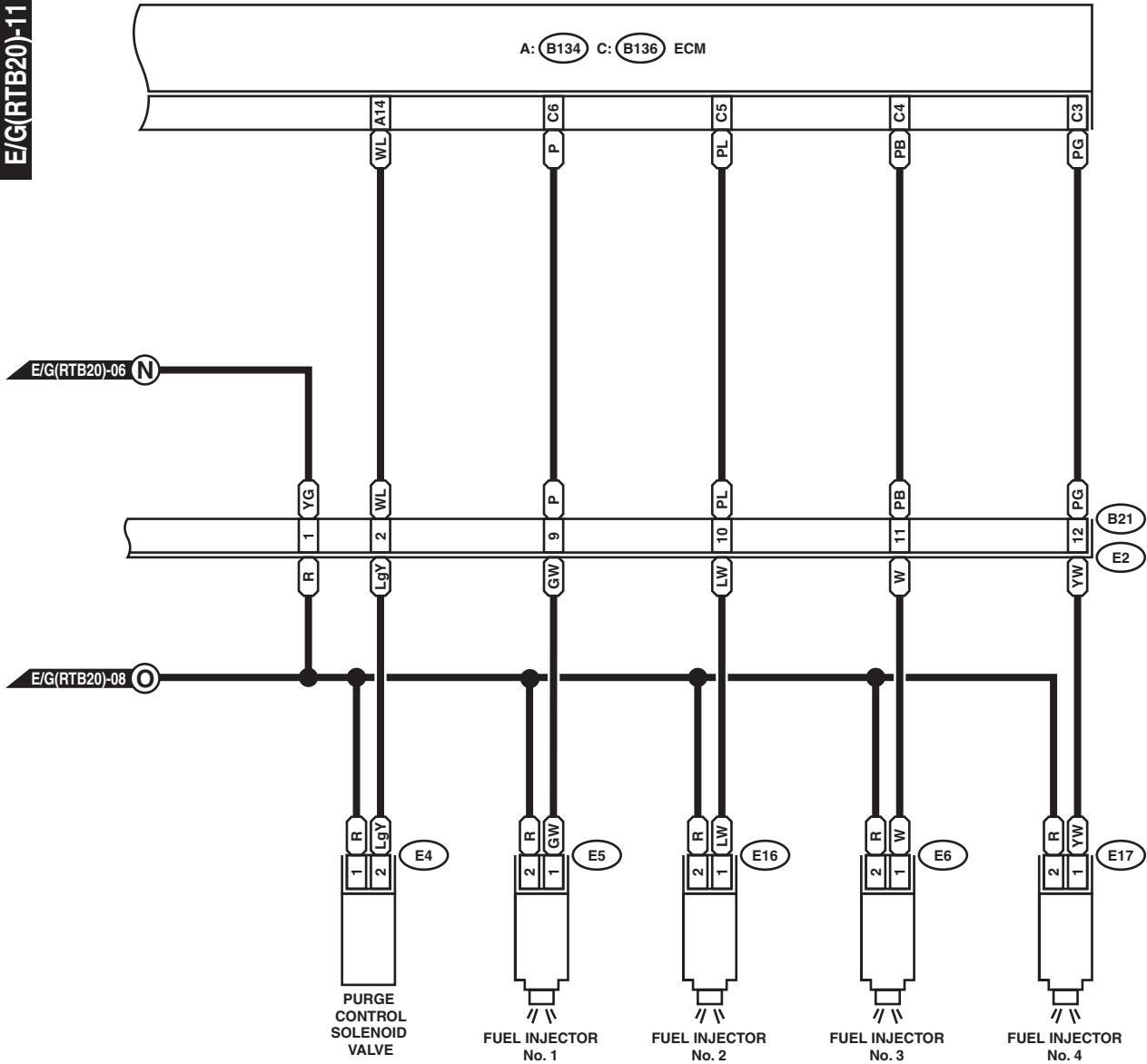
WI-03313

Engine Electrical System

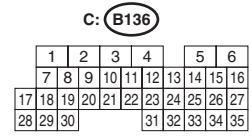
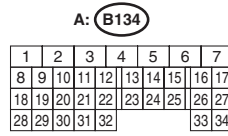
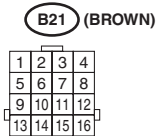
WIRING SYSTEM

E/G(RTB20)-11

E/G(RTB20)-11



- E5 (DARK GRAY)
- E6 (DARK GRAY)
- E16 (DARK GRAY)
- E17 (DARK GRAY)

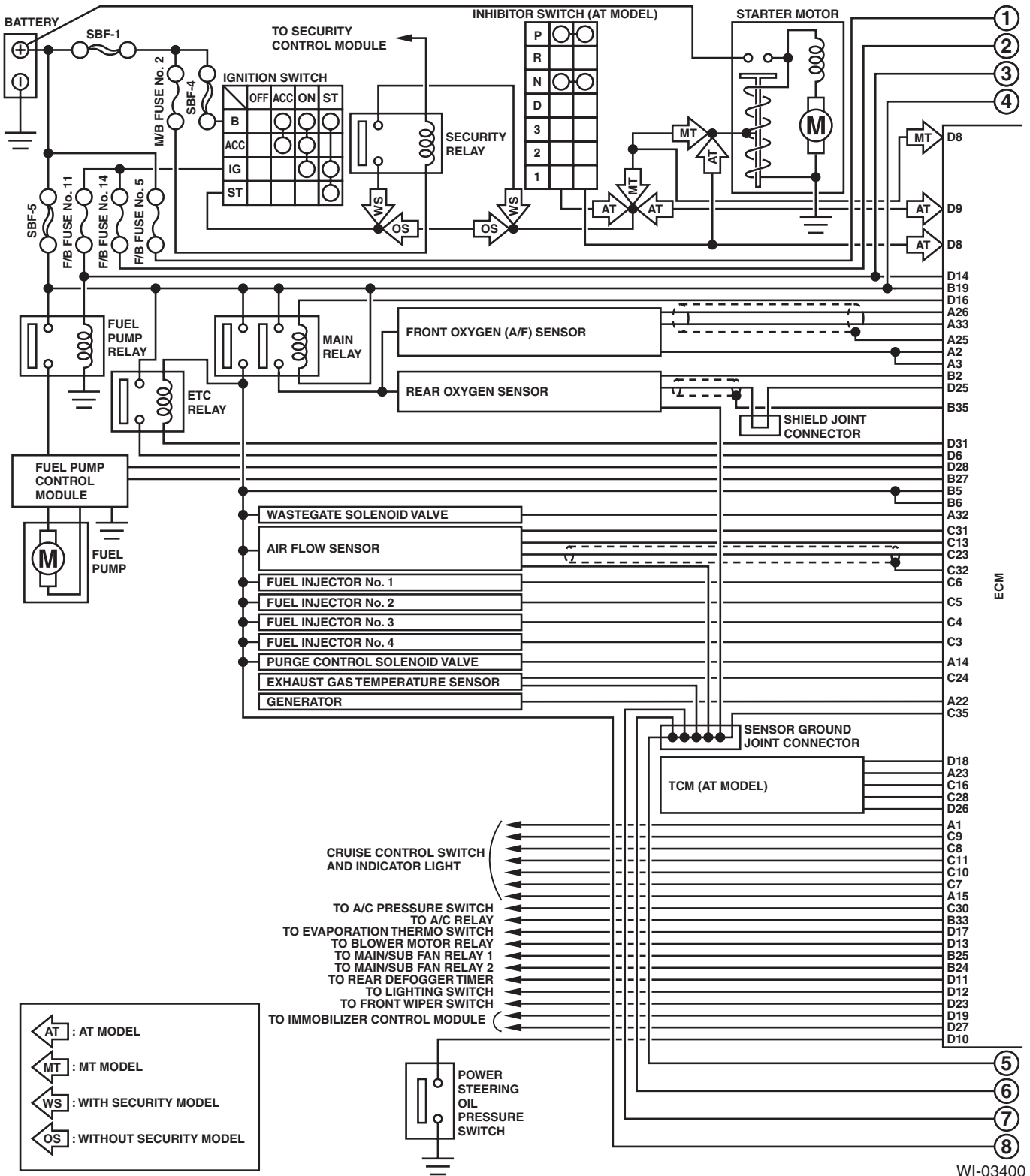


WI-03314

Engine Electrical System

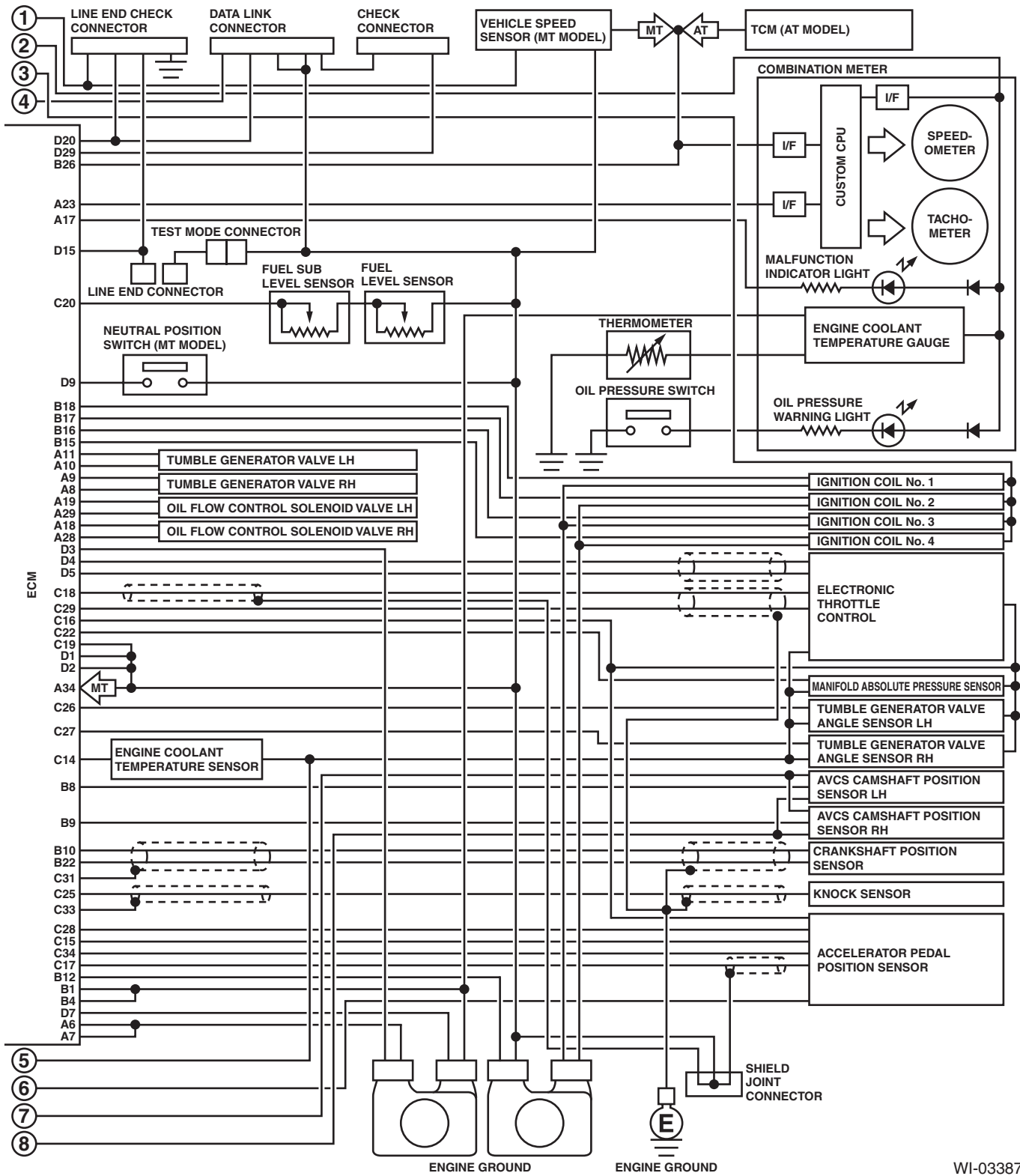
WIRING SYSTEM

5. RHD TURBO 2.5 L MODEL



Engine Electrical System

WIRING SYSTEM



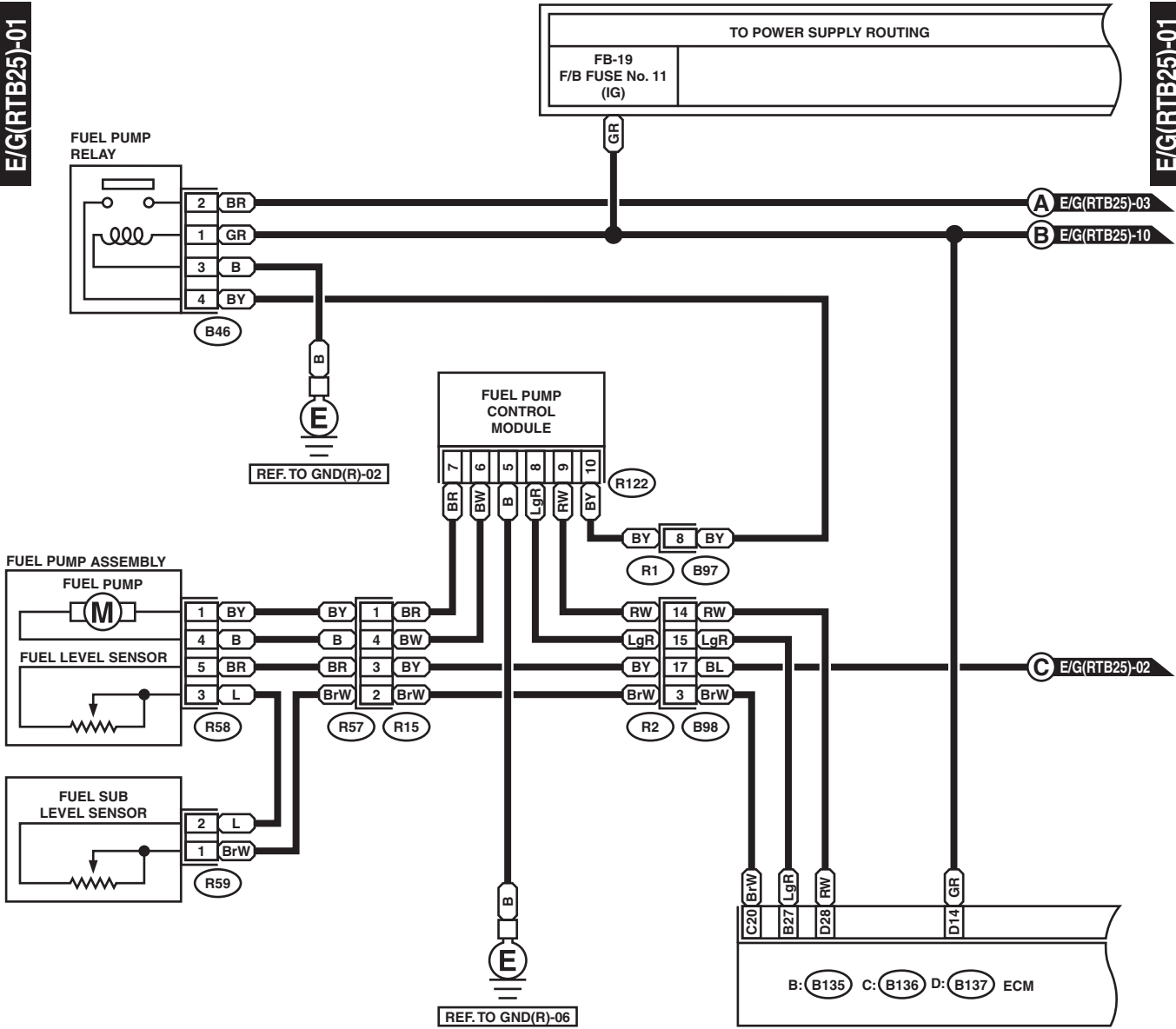
WI-03387

Engine Electrical System

WIRING SYSTEM

E/G(RTB25)-01

E/G(RTB25)-01



R59

1	2
---	---

B46

R15

1	2
3	4

R58

1	2	3
4	5	6

B97

1	2	3	4
5	6	7	8

R122 (BLACK)

1	2		3	4	
5	6	7	8	9	10

D: B137

1	2	3	4	5	6	7			
8	9	10	11	12	13	14	15	16	17
18	19	20	21	22	23	24	25		
26	27			28	29	30	31		

B98

1	2	3	4		5	6	7	8	9		
10	11	12	13	14	15	16	17	18	19	20	21
22	23	24	25	26	27	28	29	30	31	32	

B: B135

1	2		3	4	5	6	7				
8	9	10	11	12	13	14	15	16	17	18	19
20	21	22	23		24	25		26	27		
28	29	30	31		32	33		34	35		

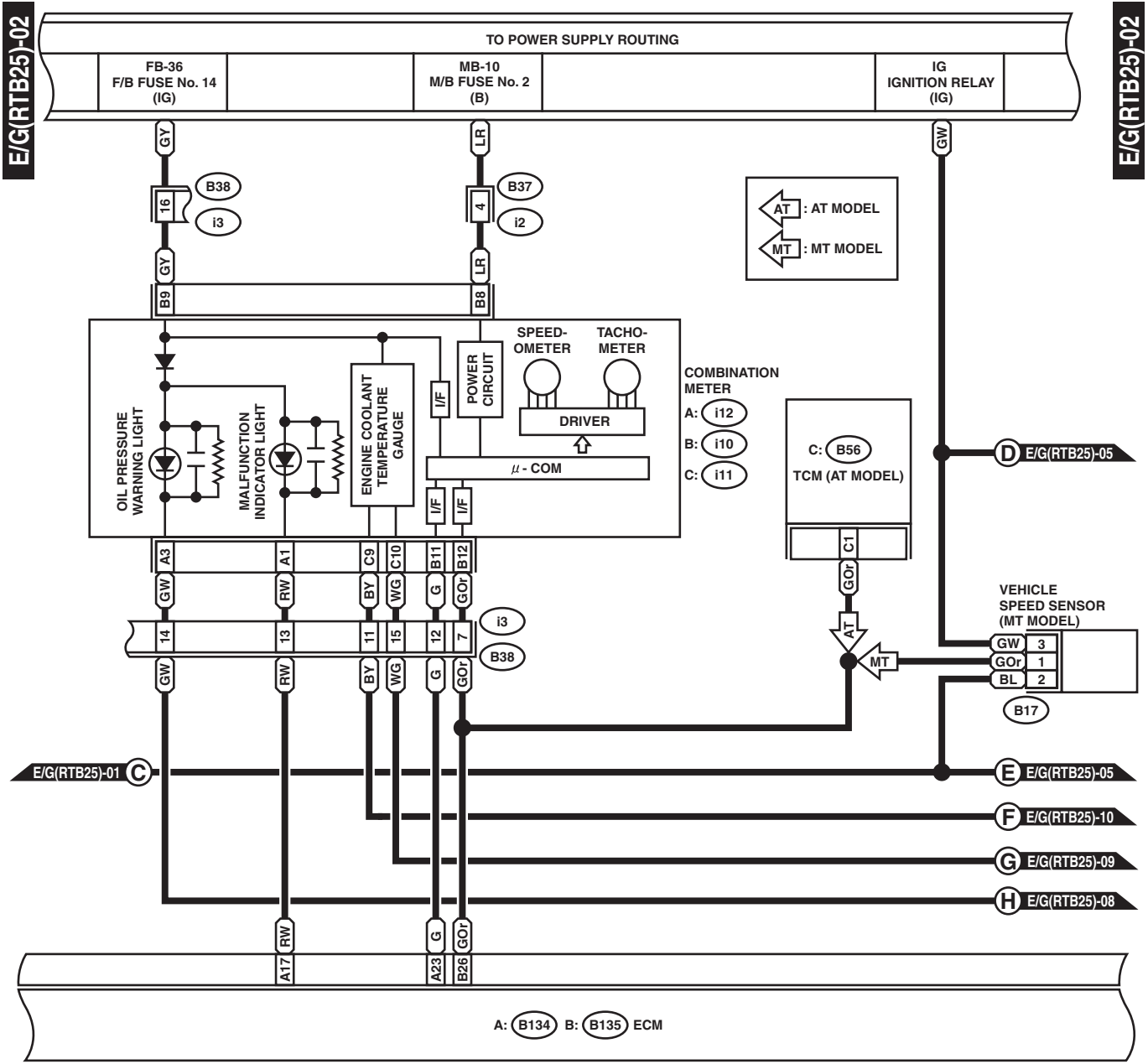
C: B136

1	2	3	4		5	6					
7	8	9	10	11	12	13	14	15	16		
17	18	19	20	21	22	23	24	25	26	27	
28	29	30			31	32	33	34	35		

WI-03388

Engine Electrical System

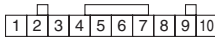
WIRING SYSTEM



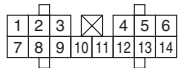
B17 (BLACK)



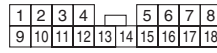
C: i11 (GREEN)



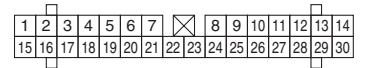
A: i12 (GREEN)



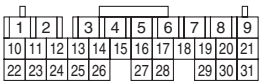
i2 (BLACK)



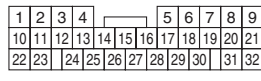
B: i10 (GREEN)



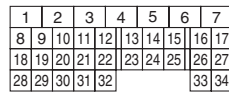
C: B56



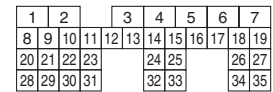
i3



A: B134



B: B135



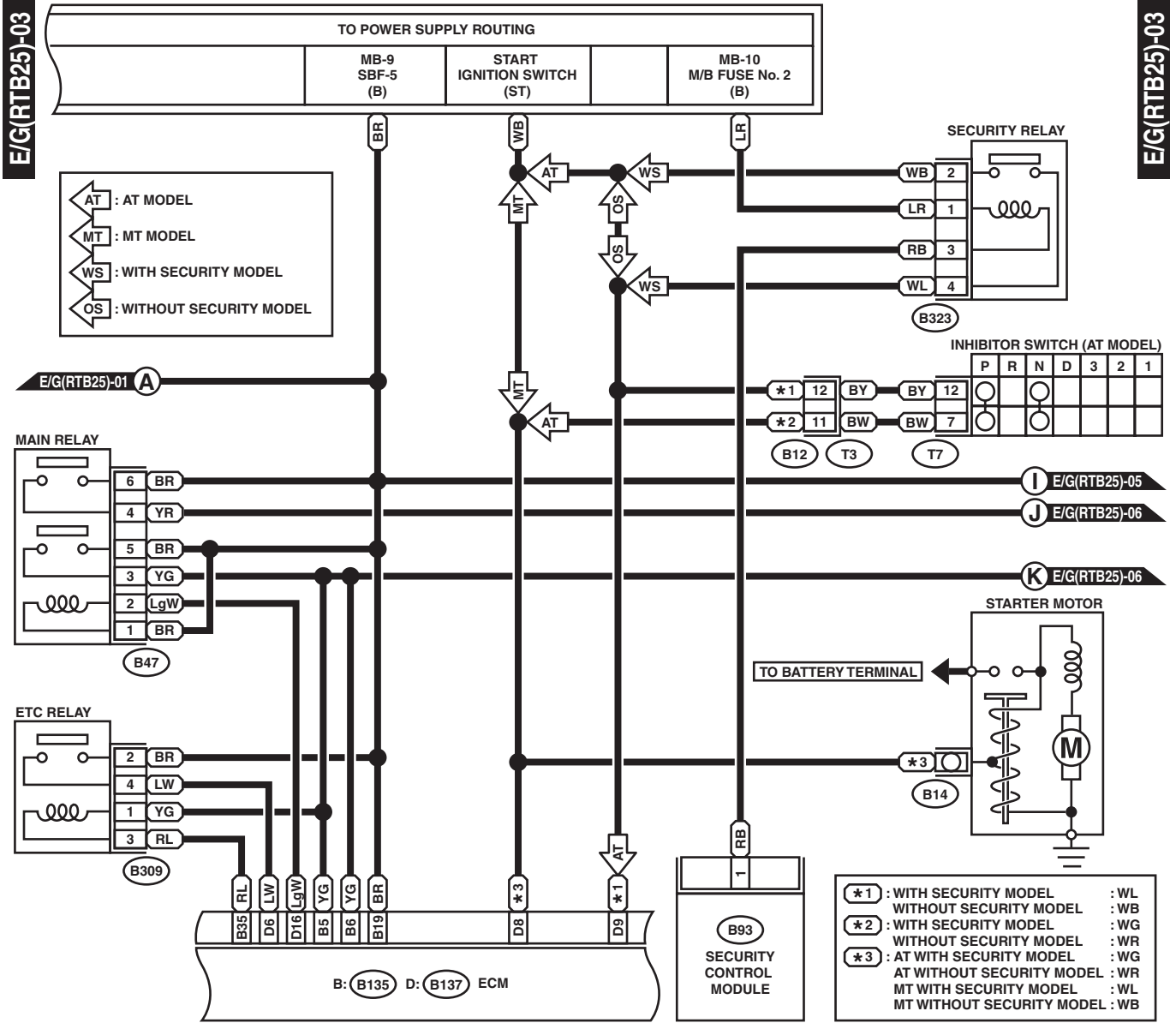
WI-03389

Engine Electrical System

WIRING SYSTEM

E/G(RTB25)-03

E/G(RTB25)-03



B309 (BLACK)

B47 (BROWN)

B12

T7

B93

D: B137

B323 (BLUE)

1	2
3	4
5	6

1	2	3	4
5	6	7	8
9	10	11	12

1	2	3	4	5	6
7	8	9	10	11	12

1	2	3	4	5	6	7	8	9	10
11	12	13	14	15	16	17	18	19	20

1	2	3	4	5	6	7			
8	9	10	11	12	13	14	15	16	17
18	19	20	21	22	23	24	25		
26	27			28	29	30	31		

B: B135

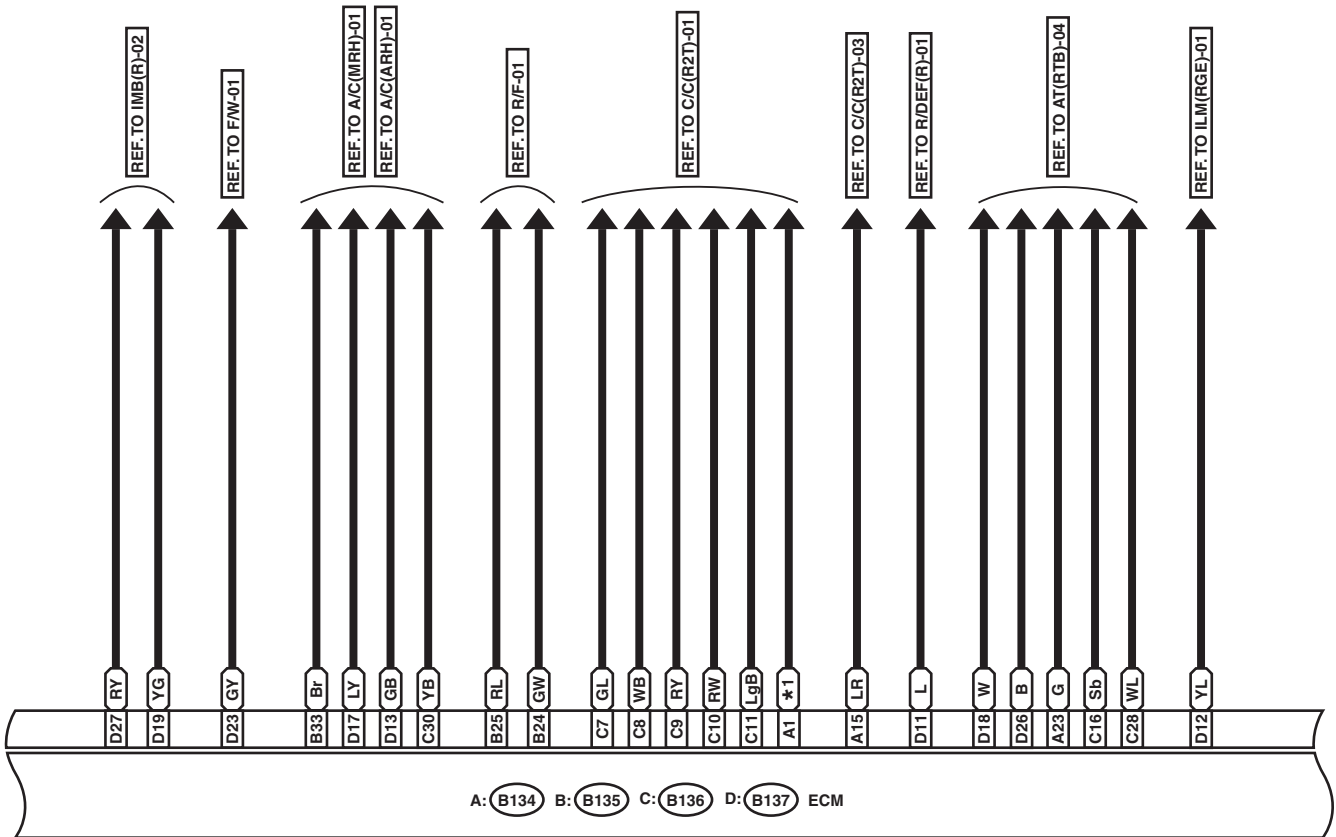
1	2	3	4	5	6	7					
8	9	10	11	12	13	14	15	16	17	18	19
20	21	22	23	24	25	26	27				
28	29	30	31	32	33	34	35				

WI-03390

E/G(RTB25)-04

E/G(RTB25)-04

*1	: AT MODEL	: GR
	: MT MODEL	: YR



D: B137

1	2	3	4	5	6	7
8	9	10	11	12	13	14
15	16	17	18	19	20	21
22	23	24	25	26	27	28
29	30	31	32	33	34	35

A: B134

1	2	3	4	5	6	7
8	9	10	11	12	13	14
15	16	17	18	19	20	21
22	23	24	25	26	27	28
29	30	31	32	33	34	35

B: B135

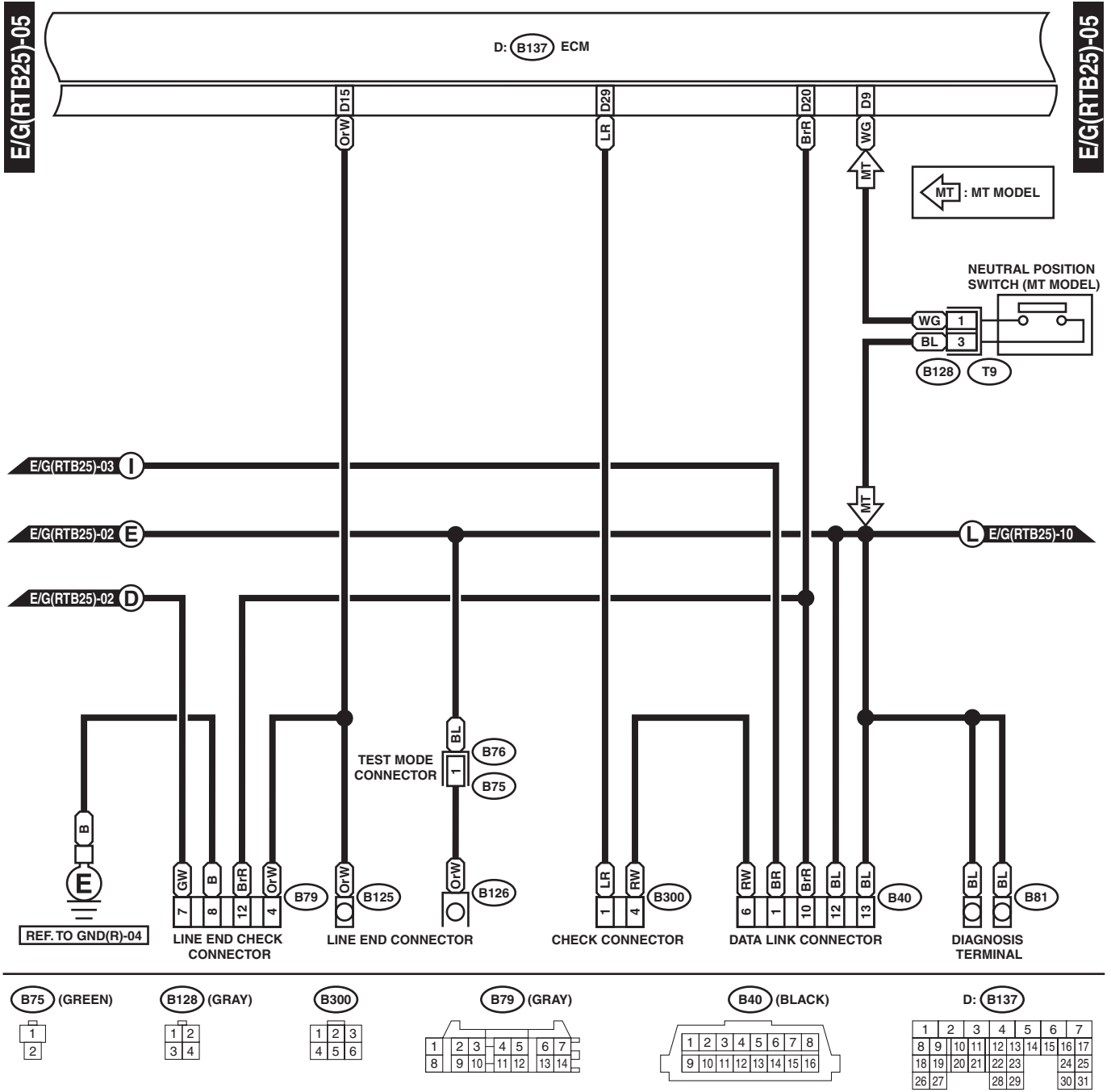
1	2	3	4	5	6	7
8	9	10	11	12	13	14
15	16	17	18	19	20	21
22	23	24	25	26	27	28
29	30	31	32	33	34	35

C: B136

1	2	3	4	5	6
7	8	9	10	11	12
13	14	15	16	17	18
19	20	21	22	23	24
25	26	27	28	29	30
31	32	33	34	35	

Engine Electrical System

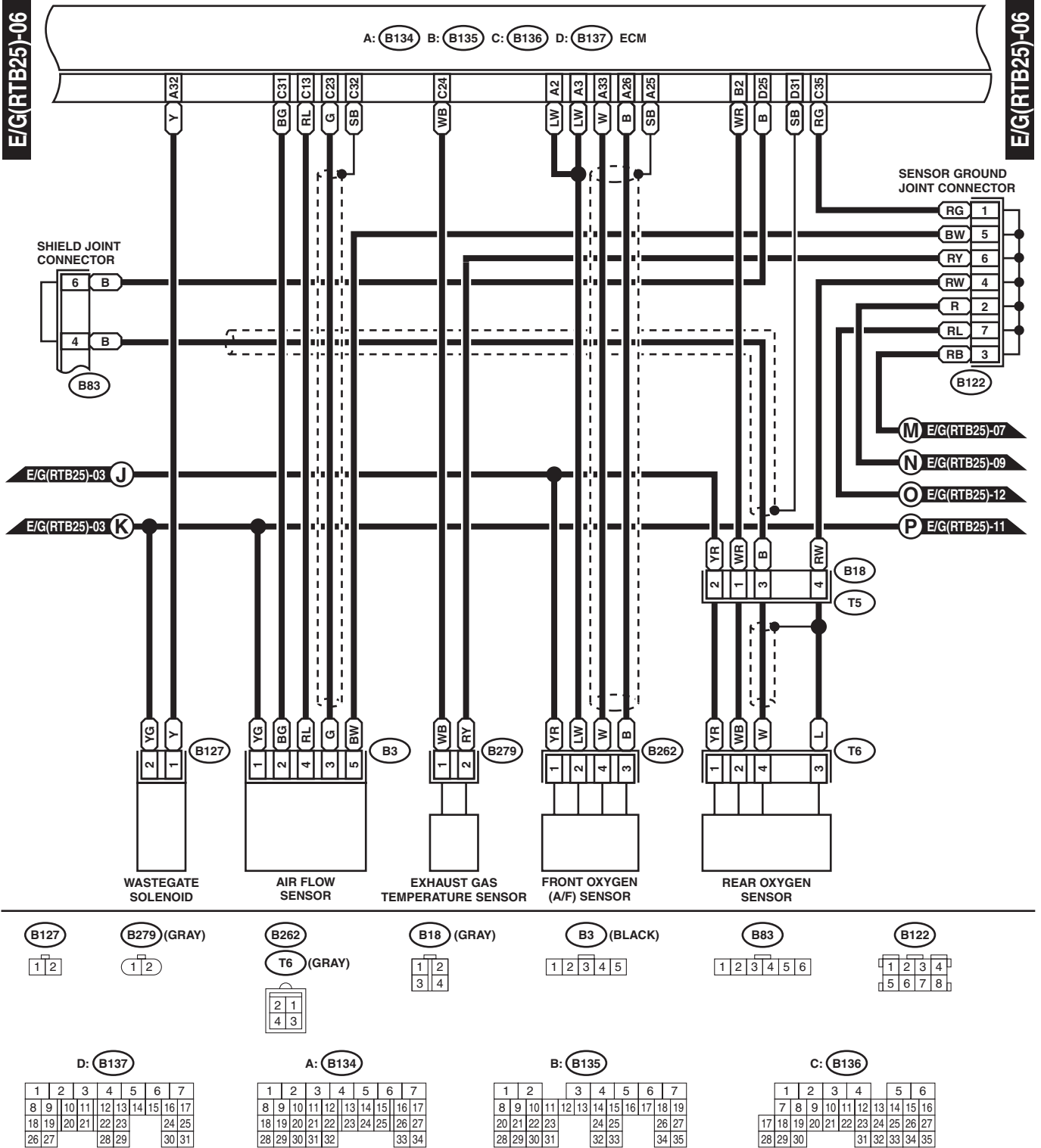
WIRING SYSTEM



WI-03392

Engine Electrical System

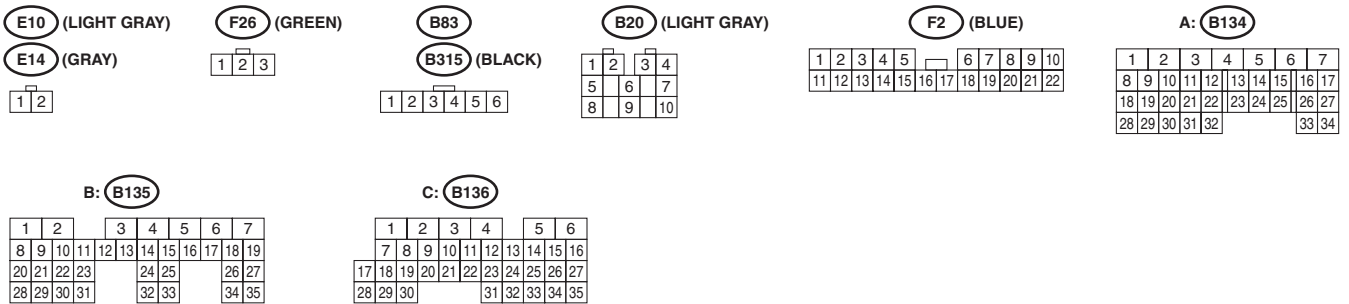
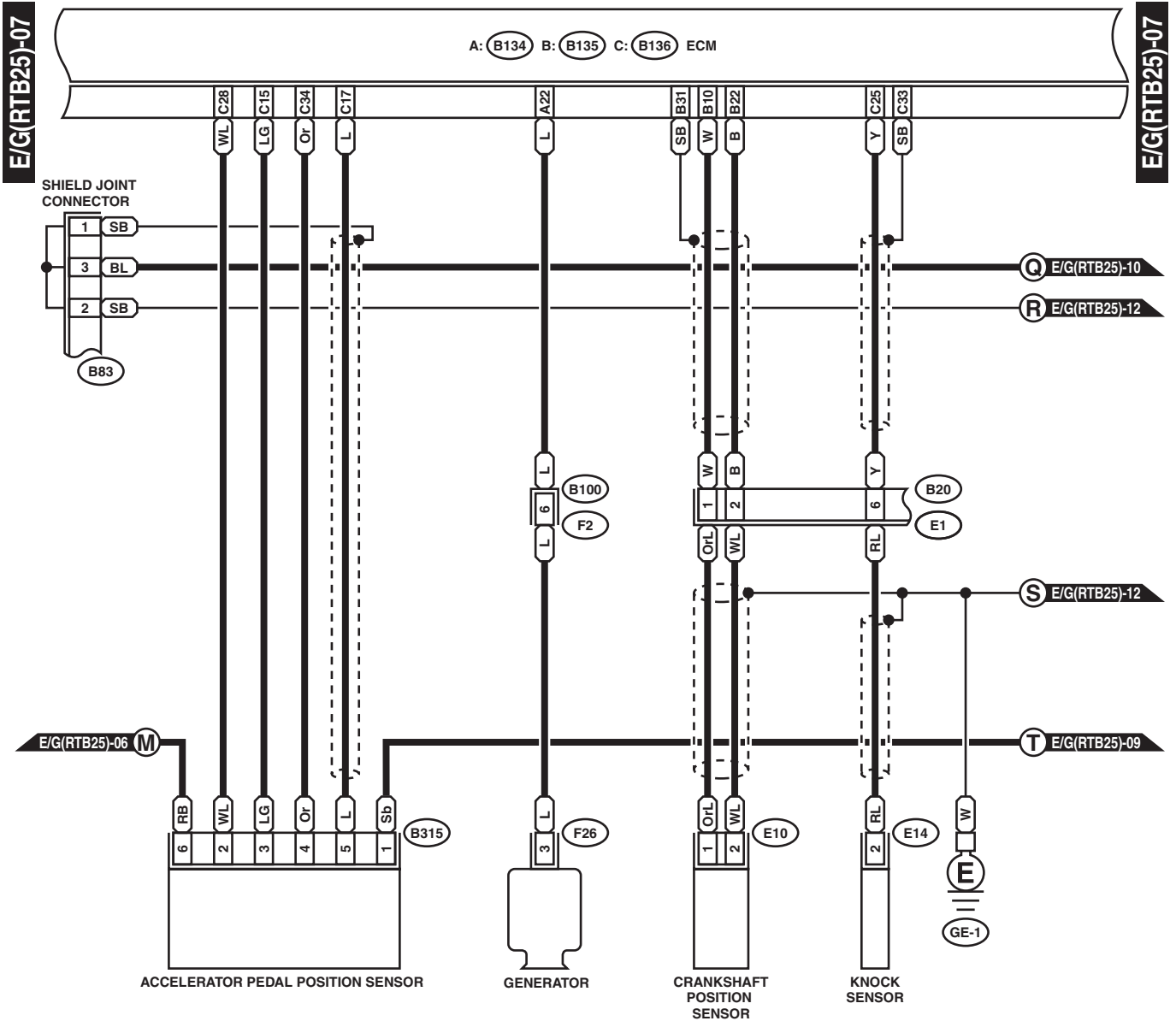
WIRING SYSTEM



WI-03393

Engine Electrical System

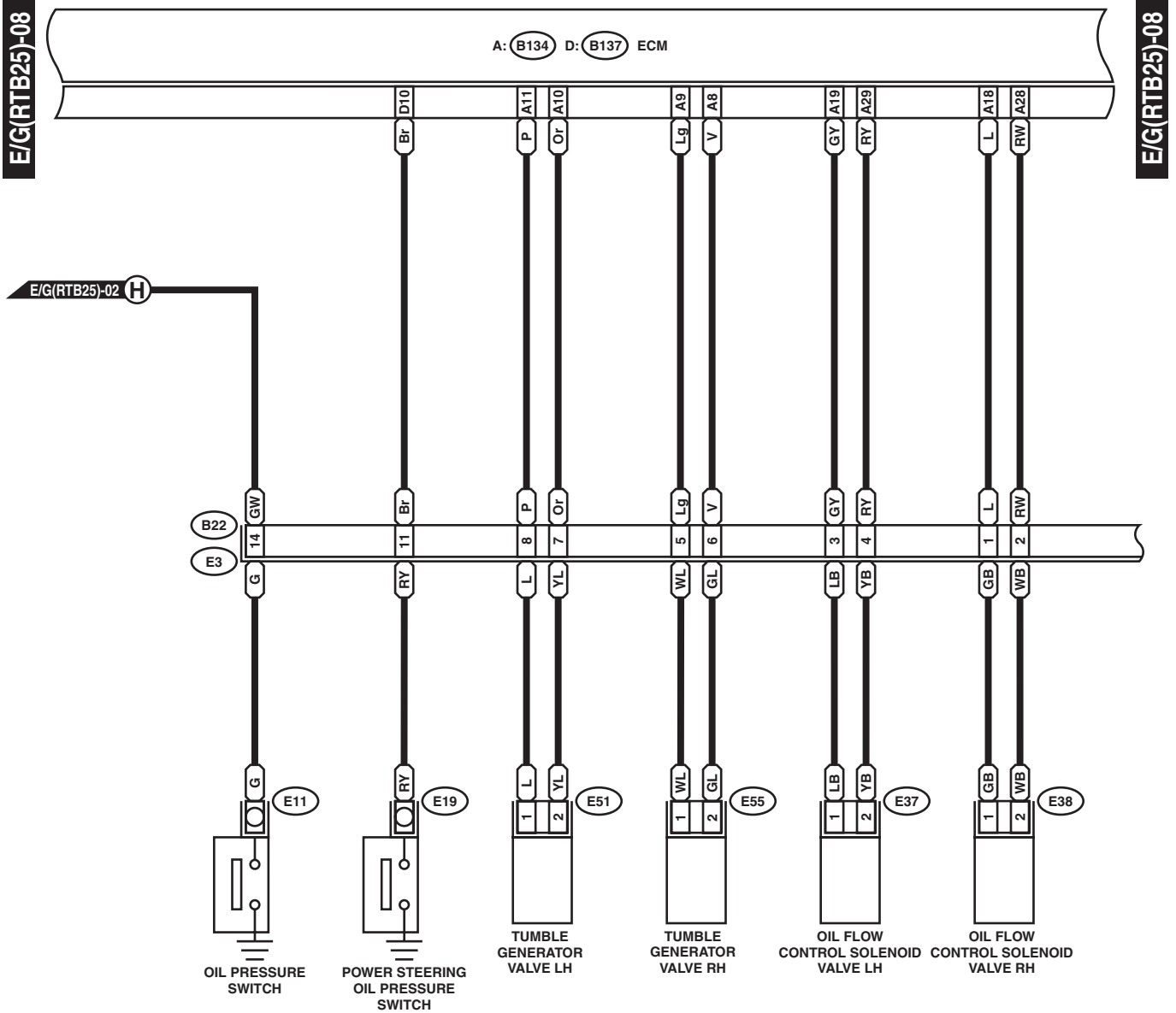
WIRING SYSTEM



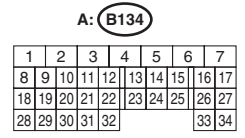
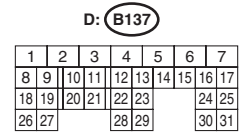
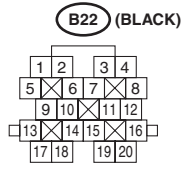
WI-03394

Engine Electrical System

WIRING SYSTEM



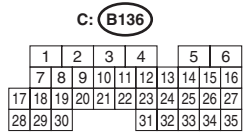
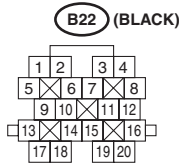
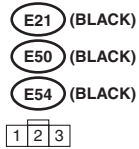
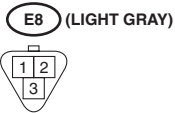
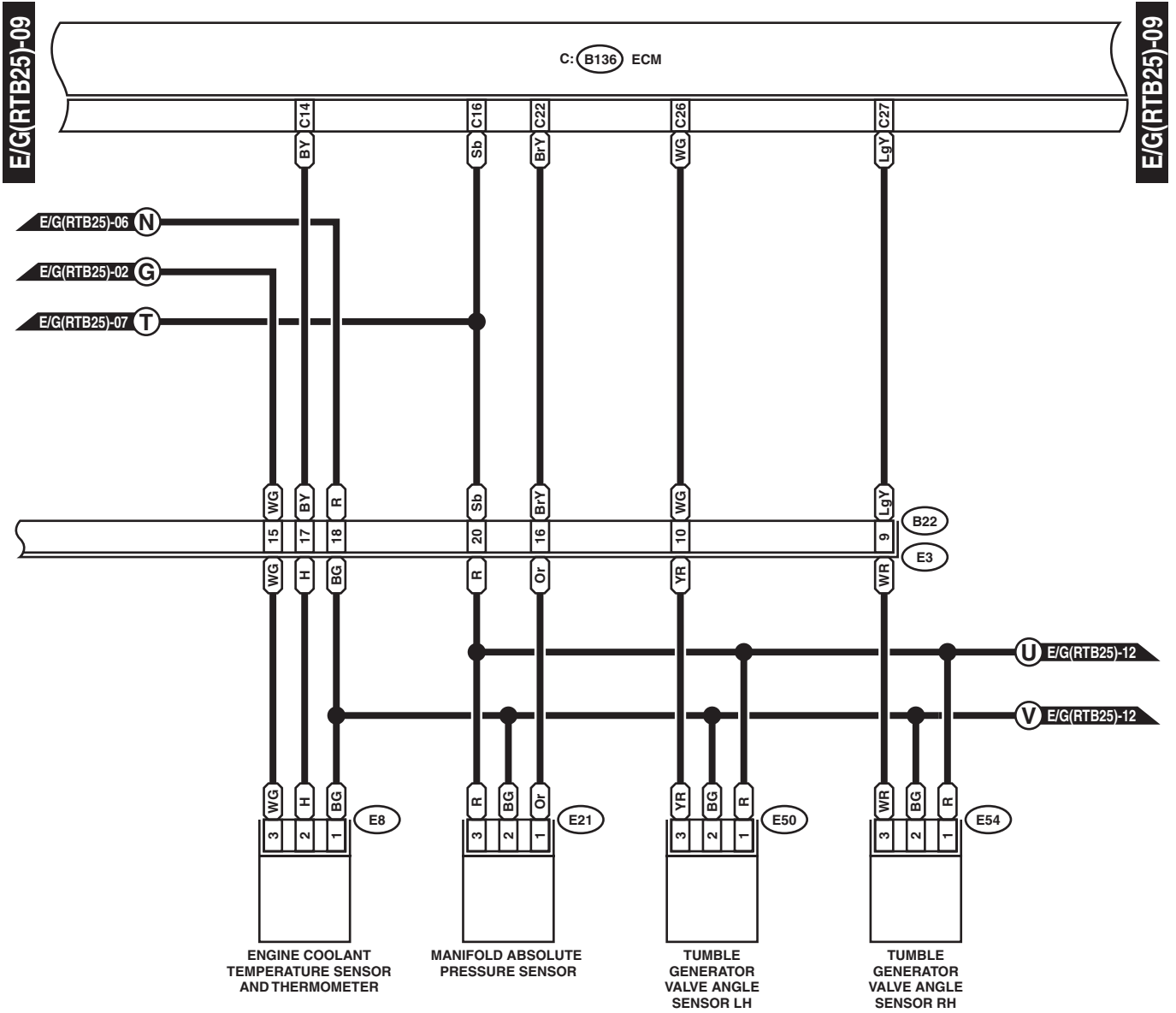
- E37 (BLUE)
- E38 (BLUE)
- E51 (BLACK)
- E55 (BLACK)
- 1 2



WI-03395

Engine Electrical System

WIRING SYSTEM



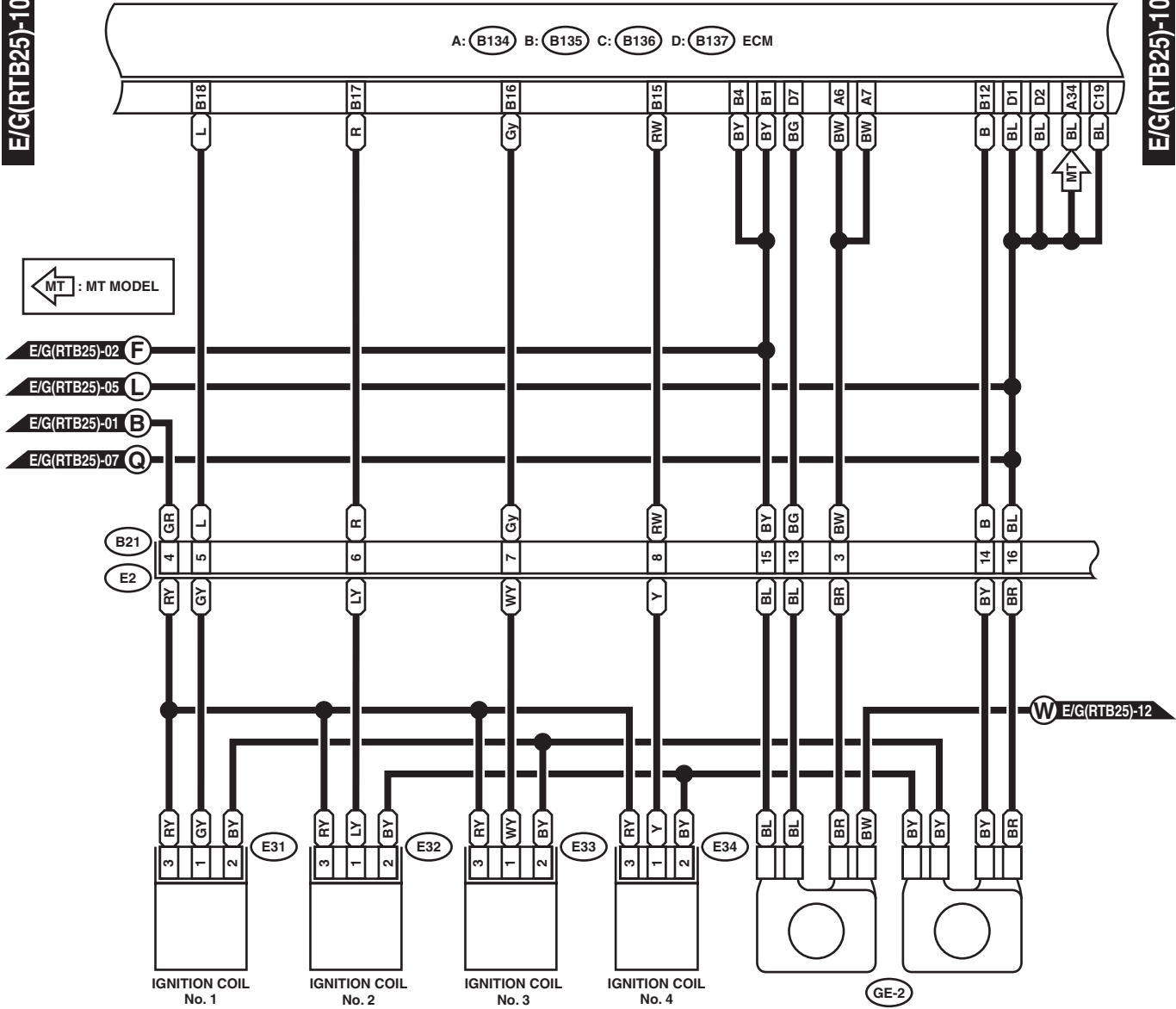
WI-03396

Engine Electrical System

WIRING SYSTEM

E/G(RTB25)-10

E/G(RTB25)-10



- E31
- E32
- E33 (BLACK)
- E34 (BLACK)

- 1
- 2
- 3

B21 (BROWN)				D: B137							A: B134							B: B135															
1	2	3	4	1	2	3	4	5	6	7	1	2	3	4	5	6	7	1	2	3	4	5	6	7									
5	6	7	8	8	9	10	11	12	13	14	15	16	17	8	9	10	11	12	13	14	15	16	17	8	9	10	11	12	13	14	15	16	17
9	10	11	12	18	19	20	21	22	23	24	25	18	19	20	21	22	23	24	25	26	27	20	21	22	23	24	25	26	27				
13	14	15	16	26	27	28	29	30	31	28	29	30	31	32	33	34	28	29	30	31	32	33	34										

C: B136					
1	2	3	4	5	6
7	8	9	10	11	12
13	14	15	16	17	18
19	20	21	22	23	24
25	26	27	28	29	30
31	32	33	34	35	

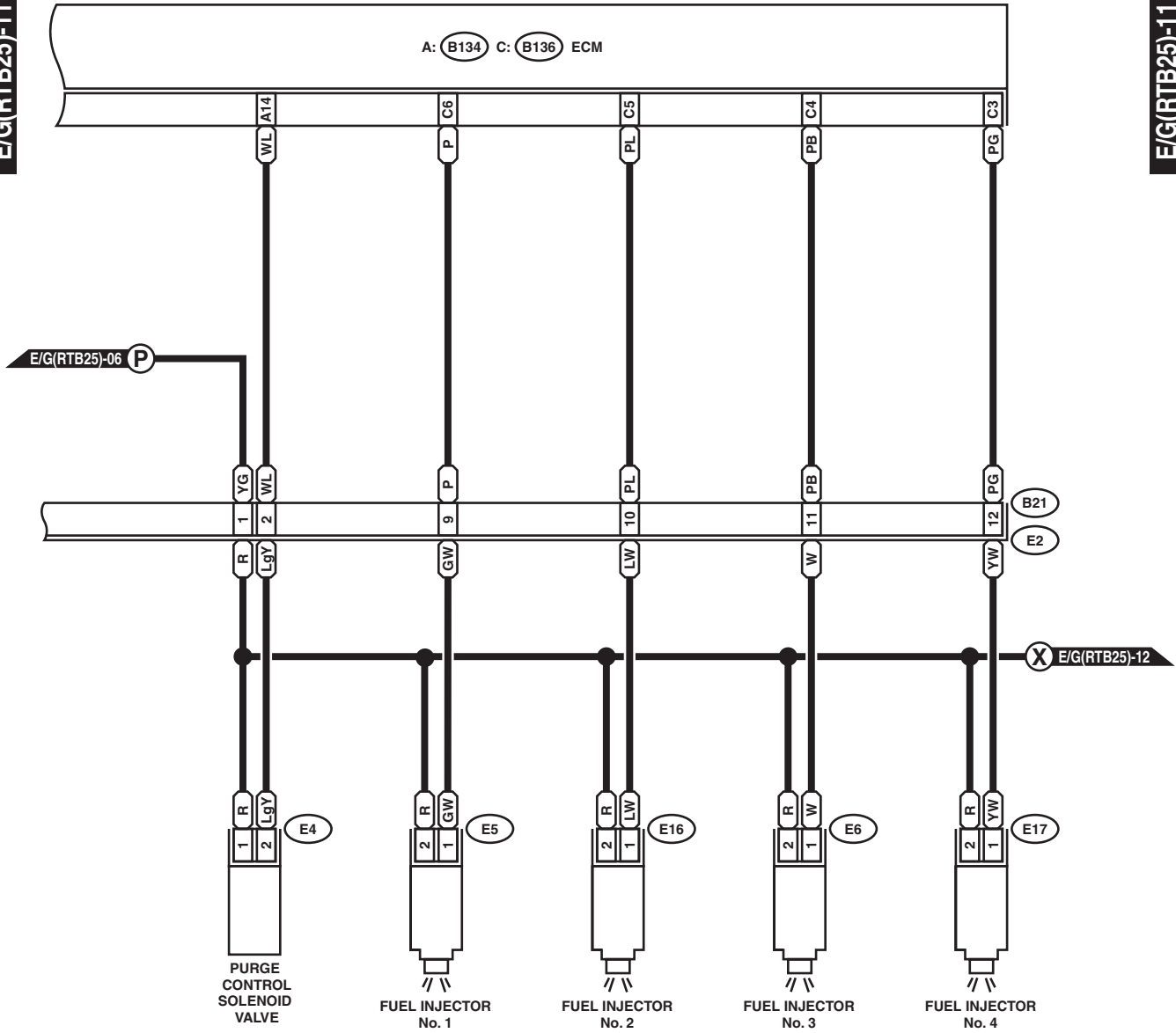
WI-03397

Engine Electrical System

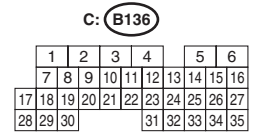
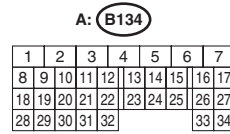
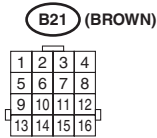
WIRING SYSTEM

E/G(RTB25)-11

E/G(RTB25)-11



- E5 (DARK GRAY)
- E6 (DARK GRAY)
- E16 (DARK GRAY)
- E17 (DARK GRAY)



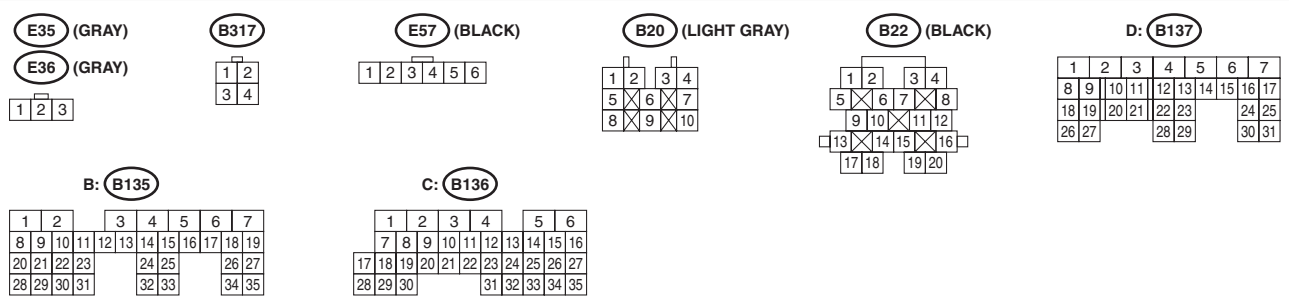
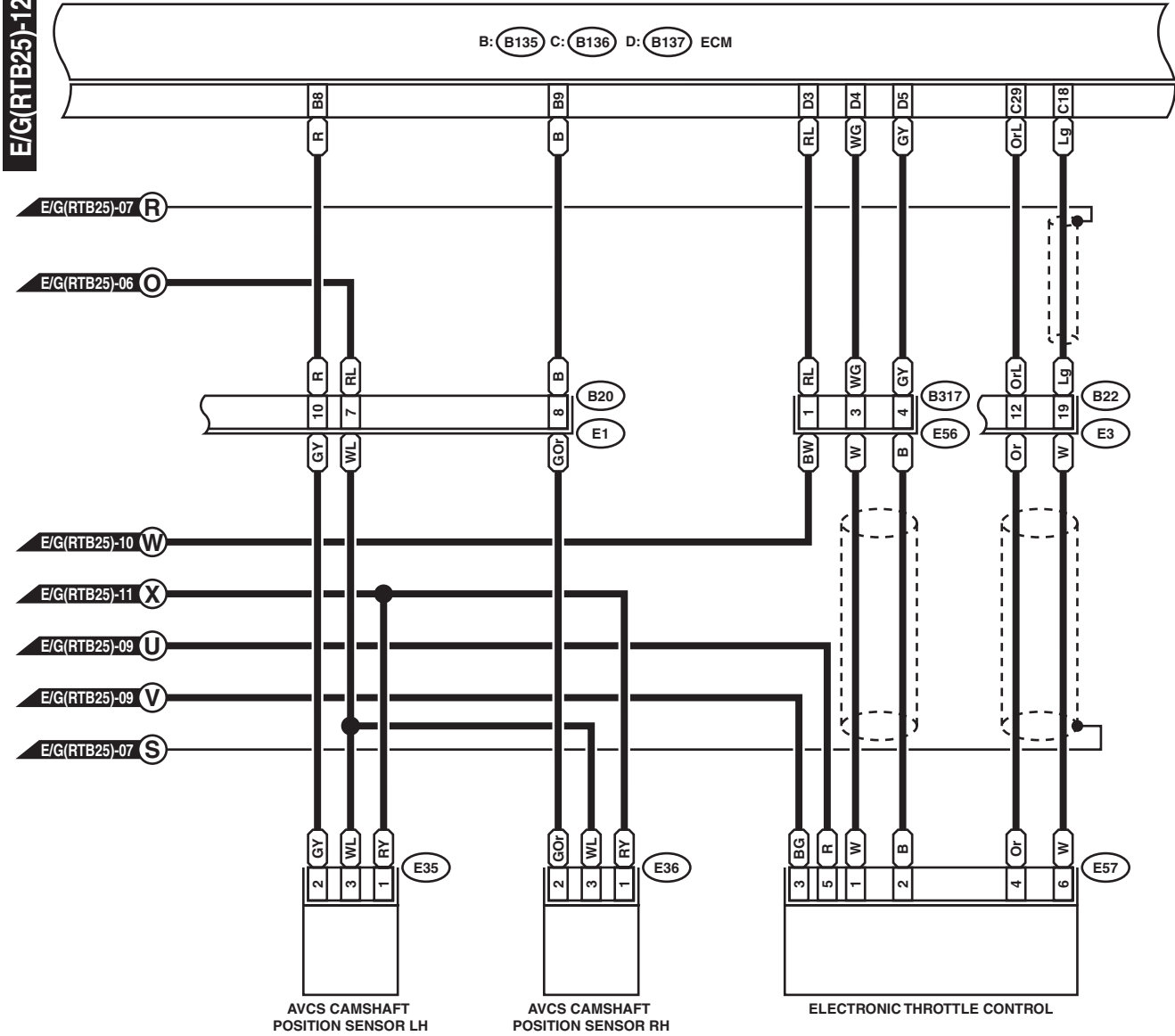
WI-03398

Engine Electrical System

WIRING SYSTEM

E/G(RTB25)-12

E/G(RTB25)-12



WI-03399

Fuel Gauge System

WIRING SYSTEM

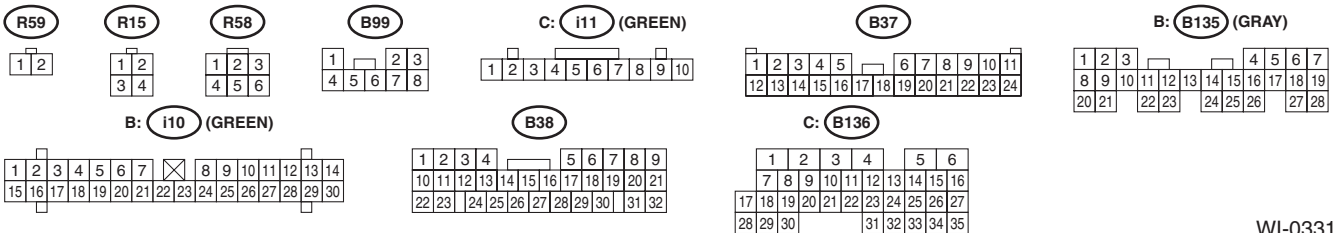
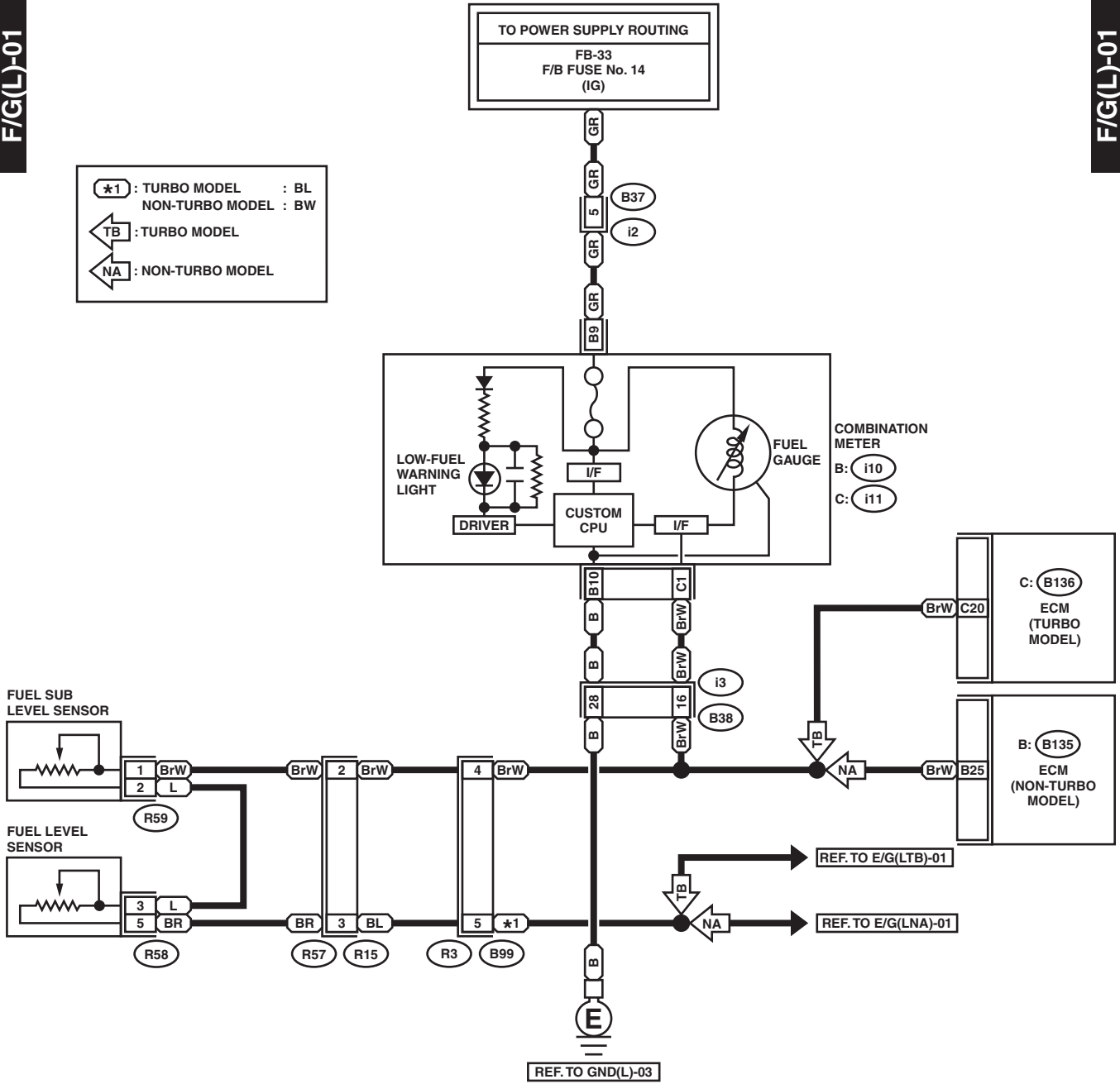
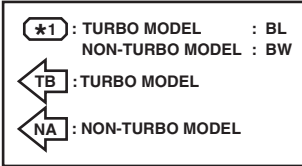
14. Fuel Gauge System

A: WIRING DIAGRAM

1. LHD MODEL

F/G(L)-01

F/G(L)-01



WI-03319

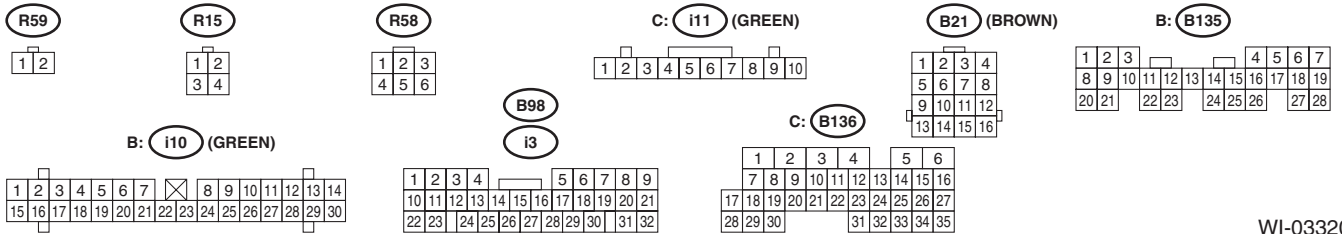
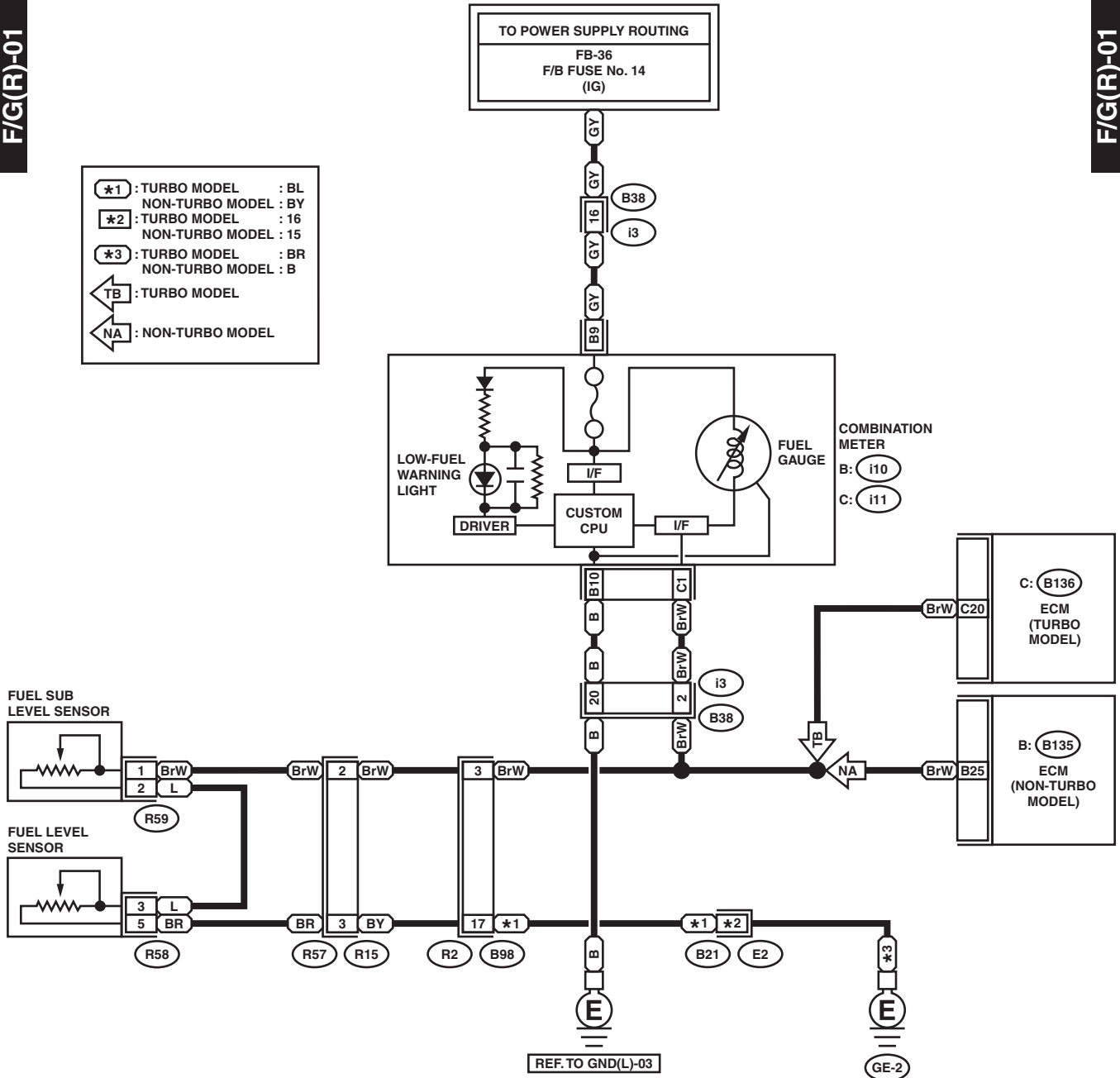
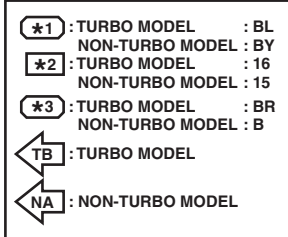
Fuel Gauge System

WIRING SYSTEM

2. RHD MODEL

F/G(R)-01

F/G(R)-01



WI-03320

Full-Time Dual-Range System

WIRING SYSTEM

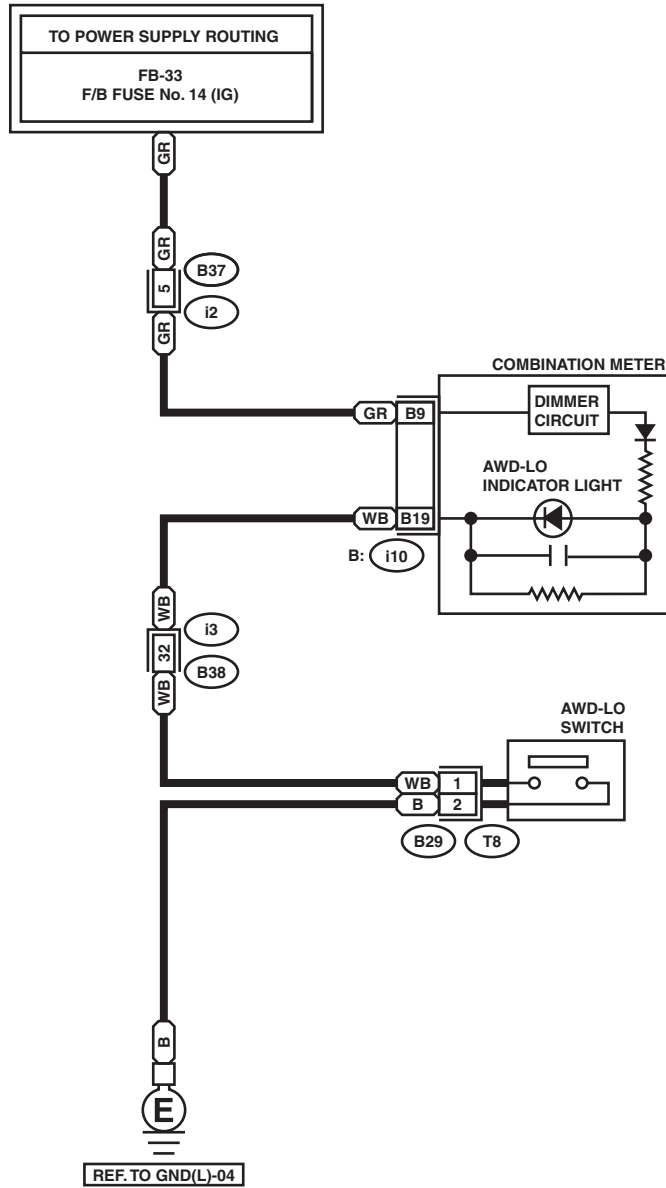
15. Full-Time Dual-Range System

A: WIRING DIAGRAM

1. LHD MODEL

D/R(L)-01

D/R(L)-01



B29

1	2
---	---

B37

1	2	3	4	5	6	7	8	9	10	11		
12	13	14	15	16	17	18	19	20	21	22	23	24

B: i10 (GREEN)

1	2	3	4	5	6	7	8	9	10	11	12	13	14		
15	16	17	18	19	20	21	22	23	24	25	26	27	28	29	30

B38

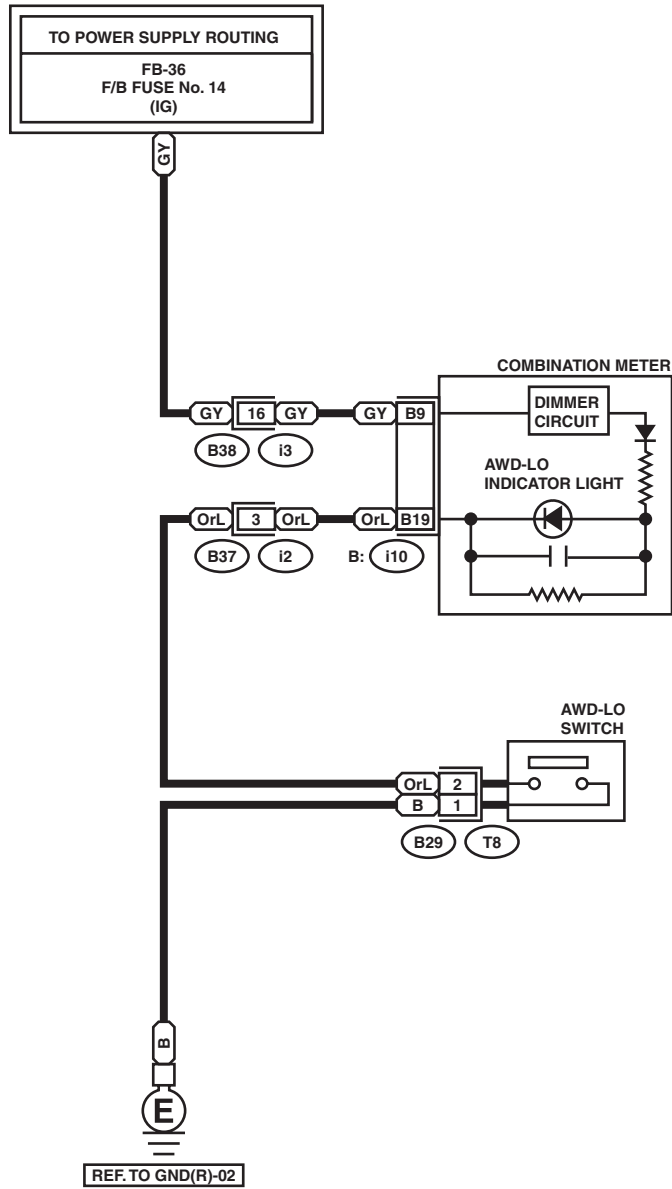
1	2	3	4	5	6	7	8	9			
10	11	12	13	14	15	16	17	18	19	20	21
22	23	24	25	26	27	28	29	30	31	32	

WI-00401

2. RHD MODEL

D/R(R)-01

D/R(R)-01



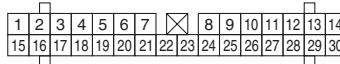
B29 (GRAY)



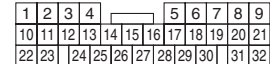
i2 (BLACK)



B: i10 (GREEN)



i3



Front Accessory Power Supply System

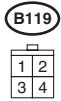
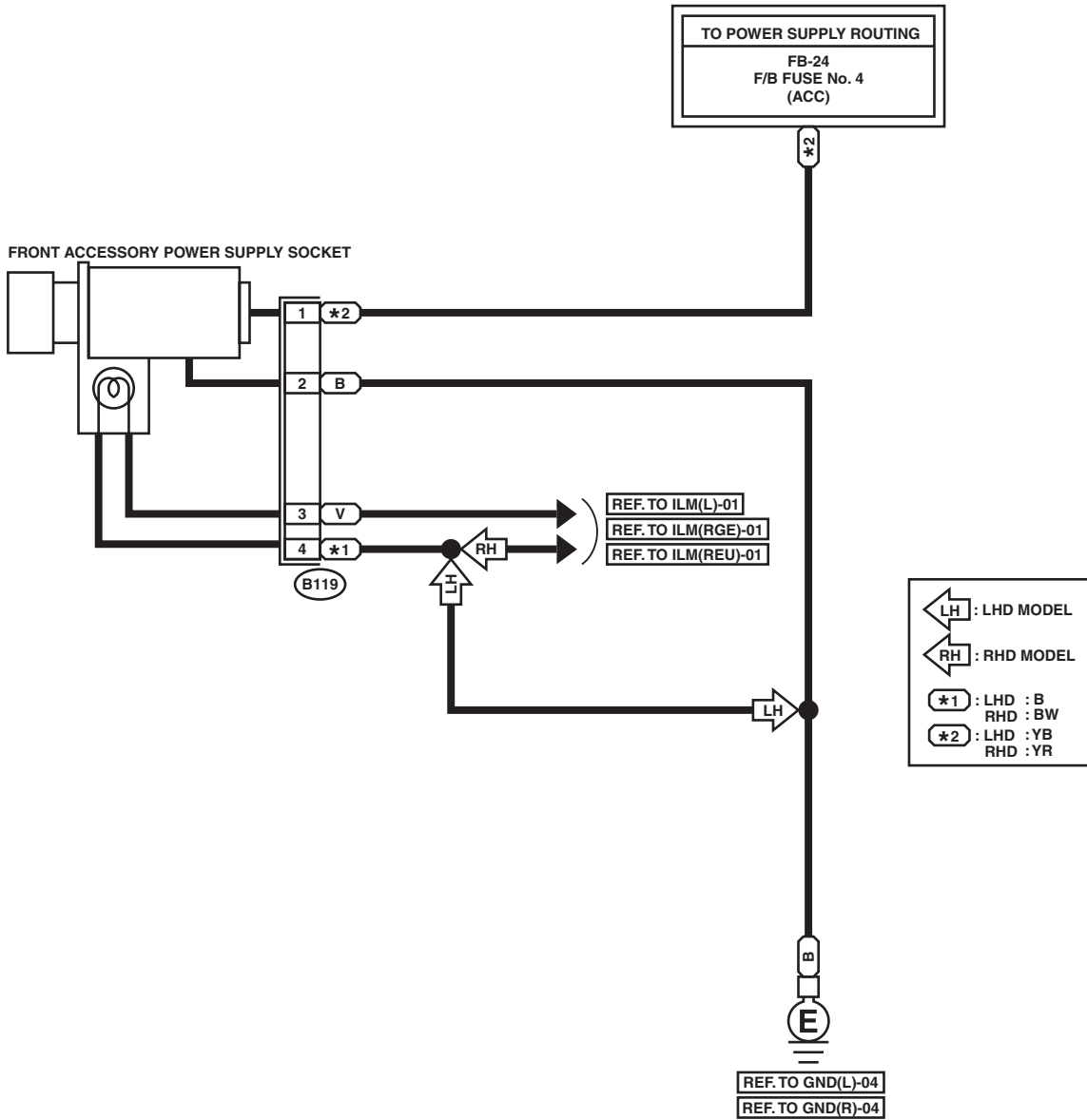
WIRING SYSTEM

16. Front Accessory Power Supply System

A: WIRING DIAGRAM

FAPS-01

FAPS-01

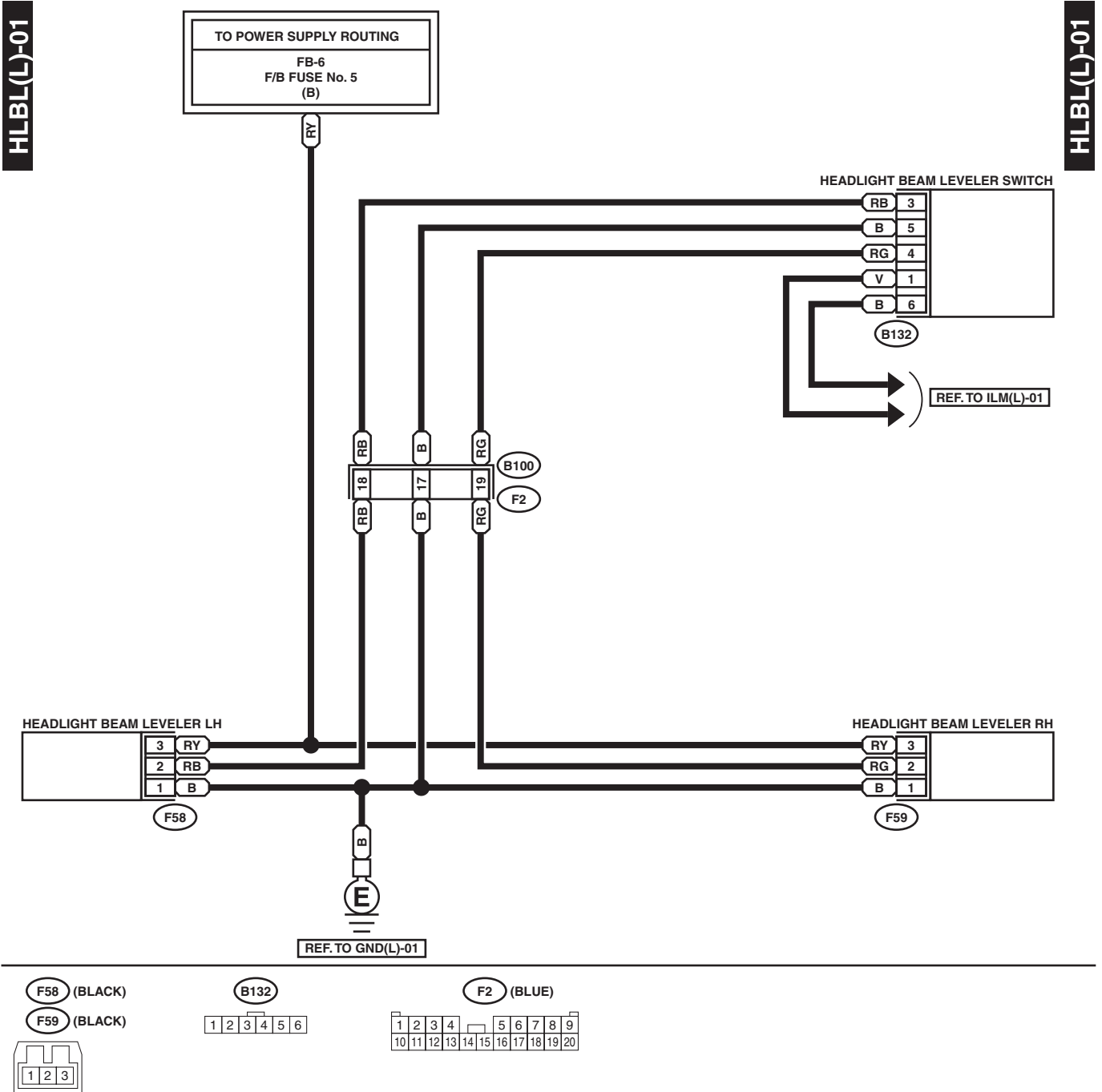


WI-03316

17. Headlight Beam Leveler System

A: WIRING DIAGRAM

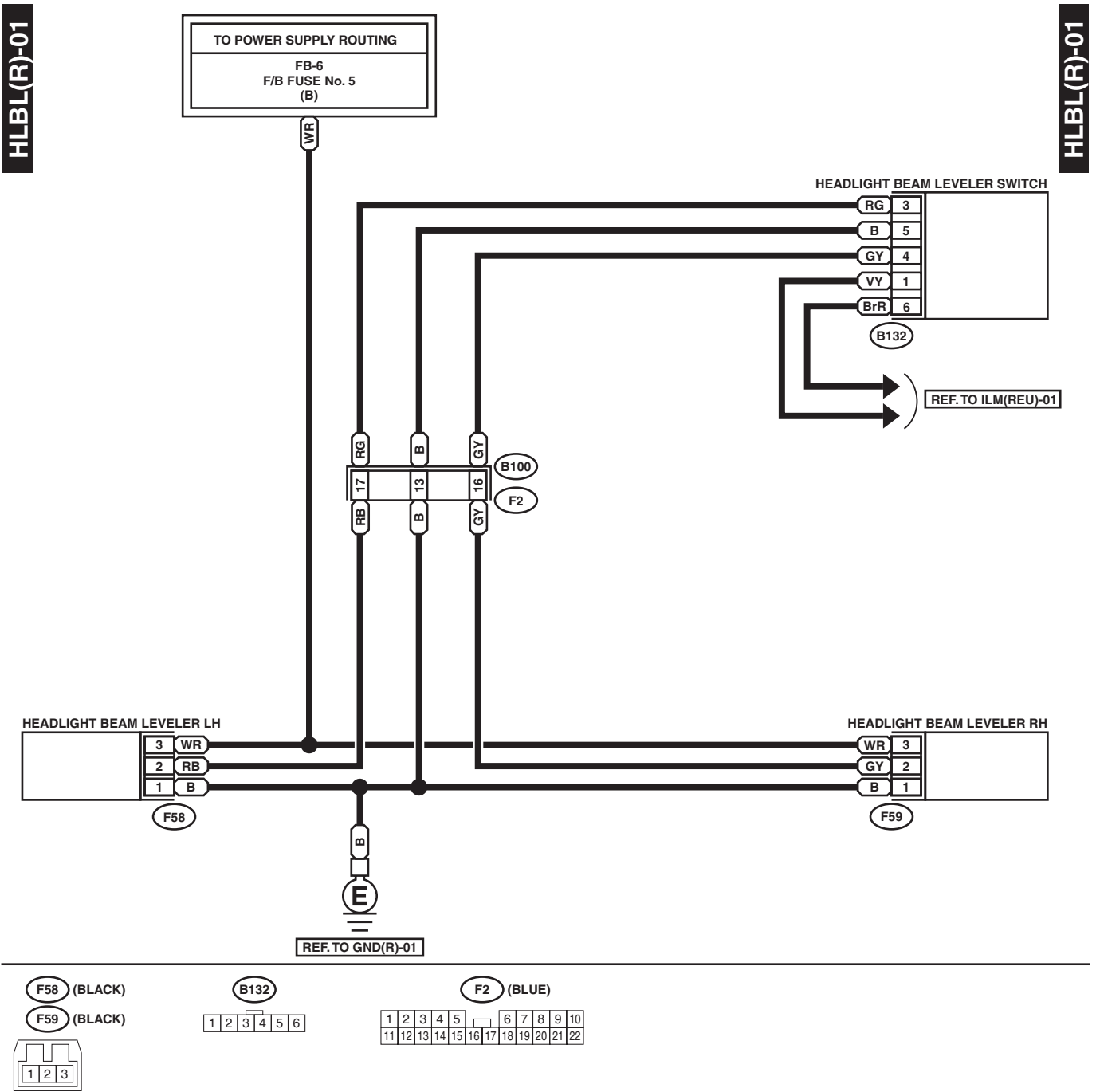
1. LHD MODEL



Headlight Beam Leveler System

WIRING SYSTEM

2. RHD MODEL



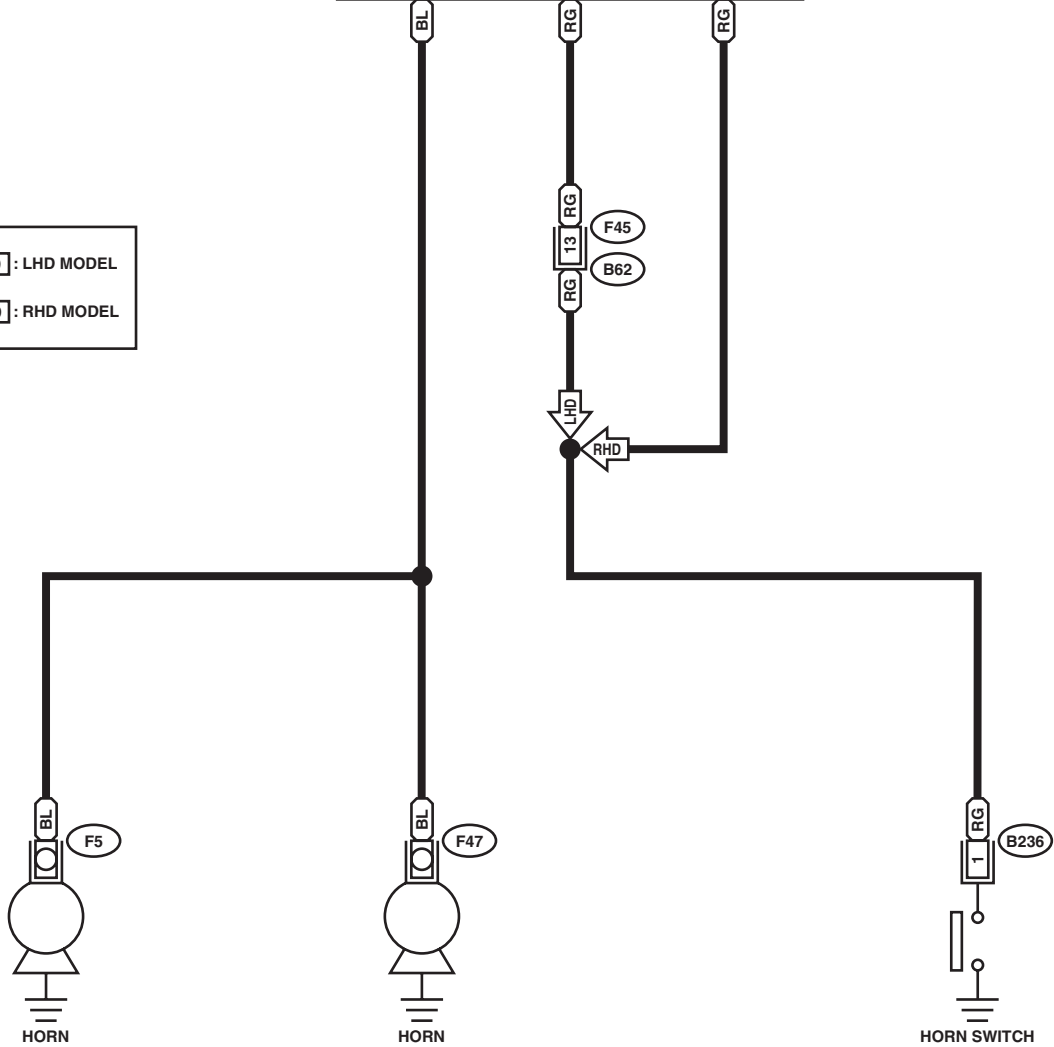
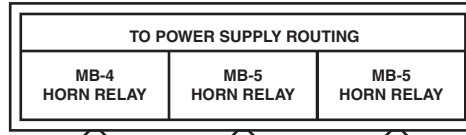
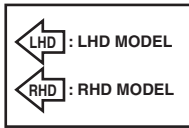
WI-03323

18.Horn System

A: WIRING DIAGRAM

HORN-01

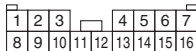
HORN-01



(B236) (BLACK)



(F45)



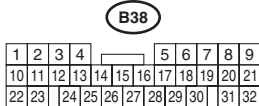
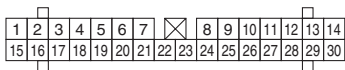
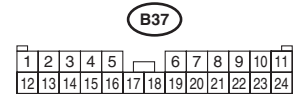
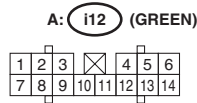
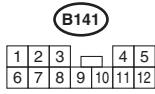
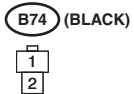
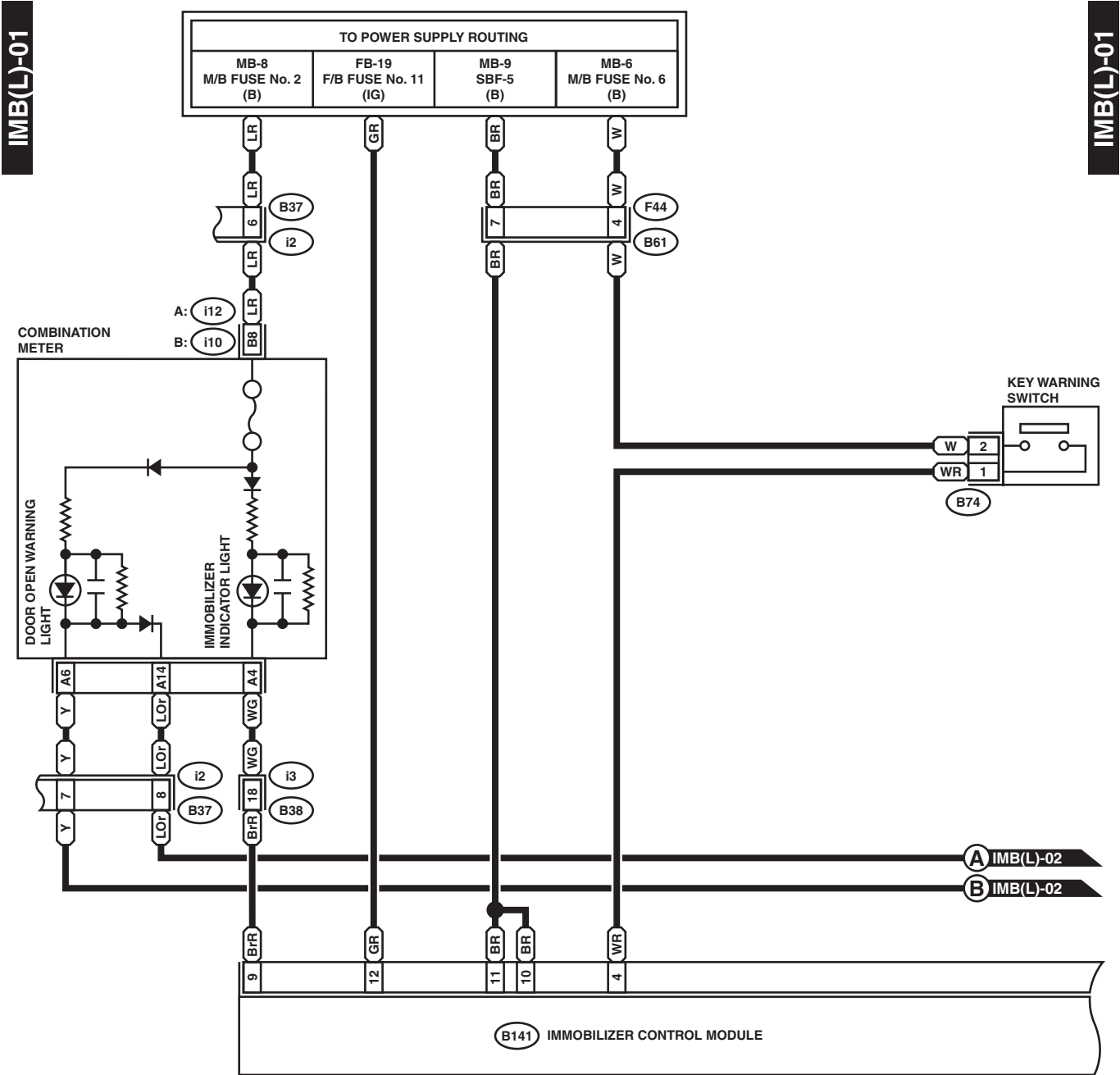
Immobilizer System

WIRING SYSTEM

19. Immobilizer System

A: WIRING DIAGRAM

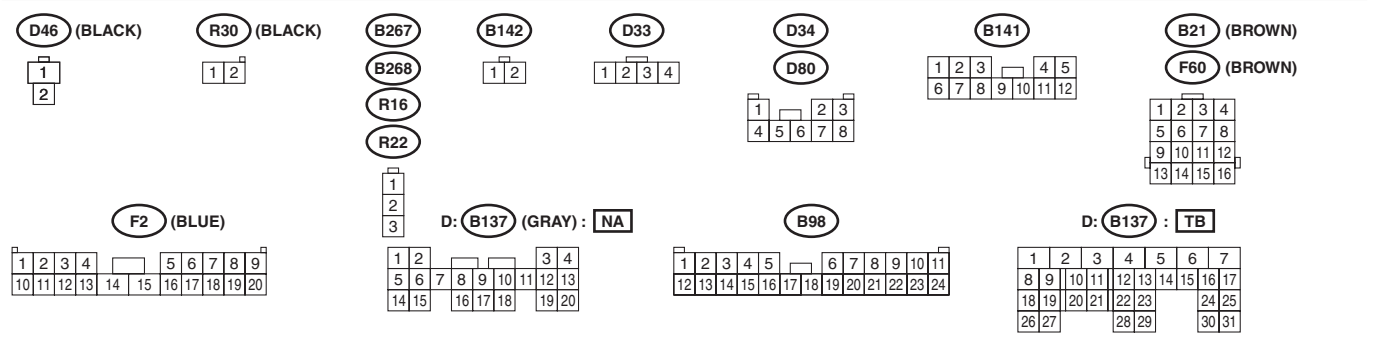
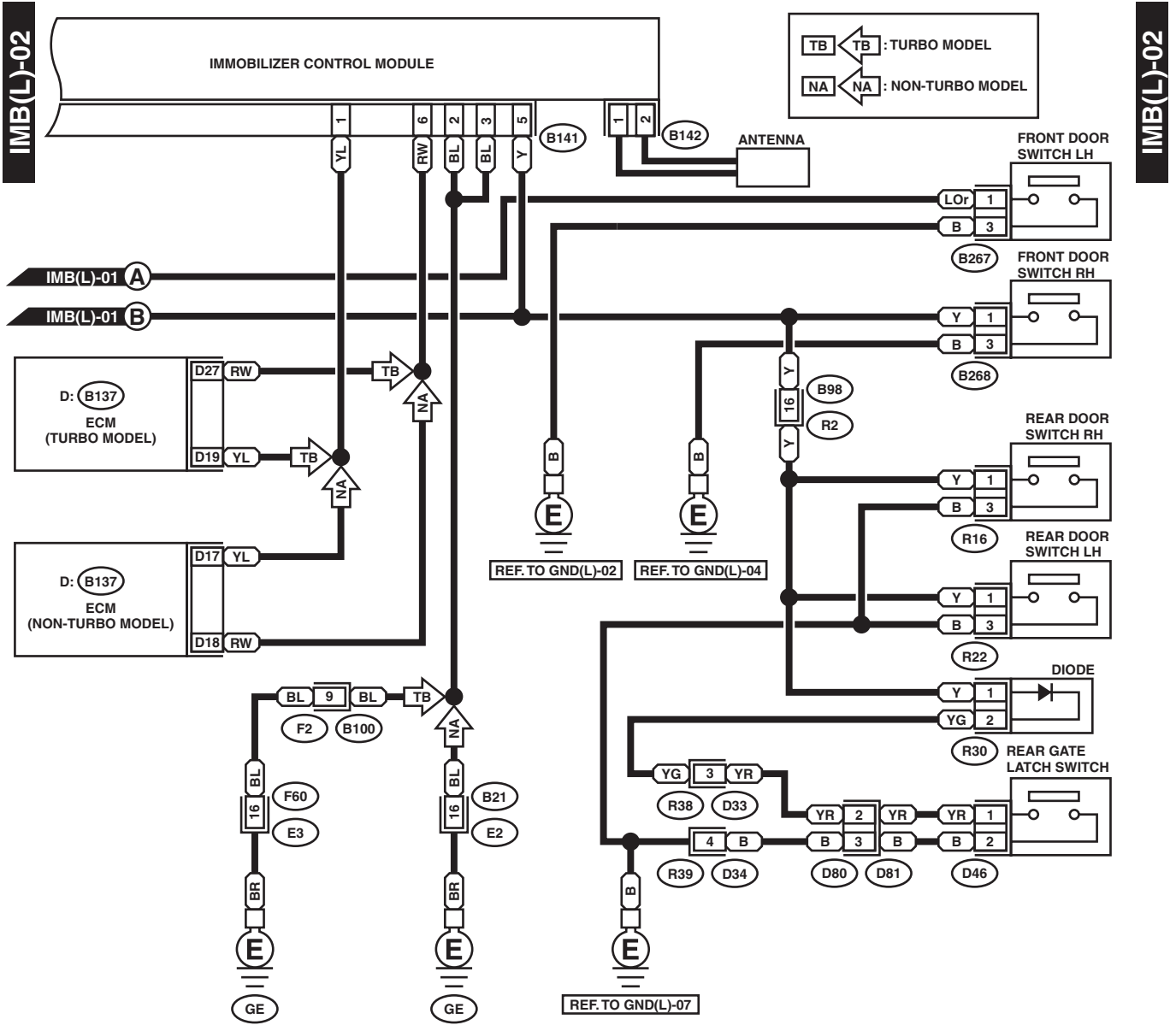
1. LHD MODEL



WI-03328

Immobilizer System

WIRING SYSTEM

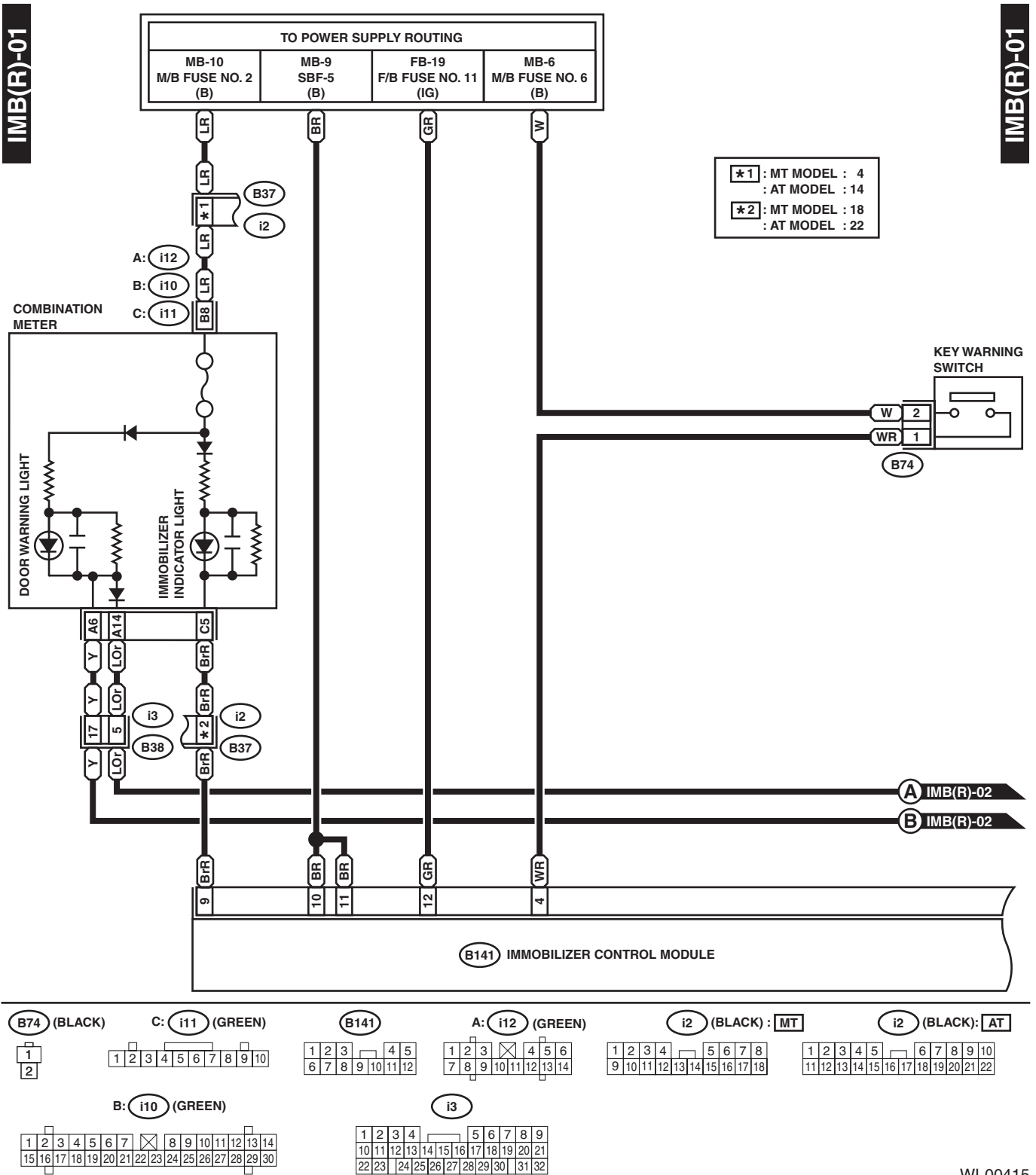


WI-03329

Immobilizer System

WIRING SYSTEM

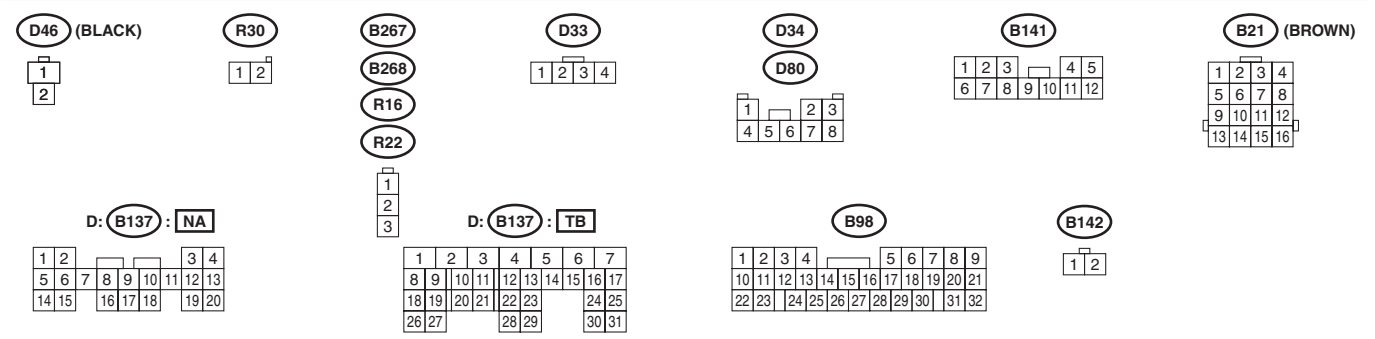
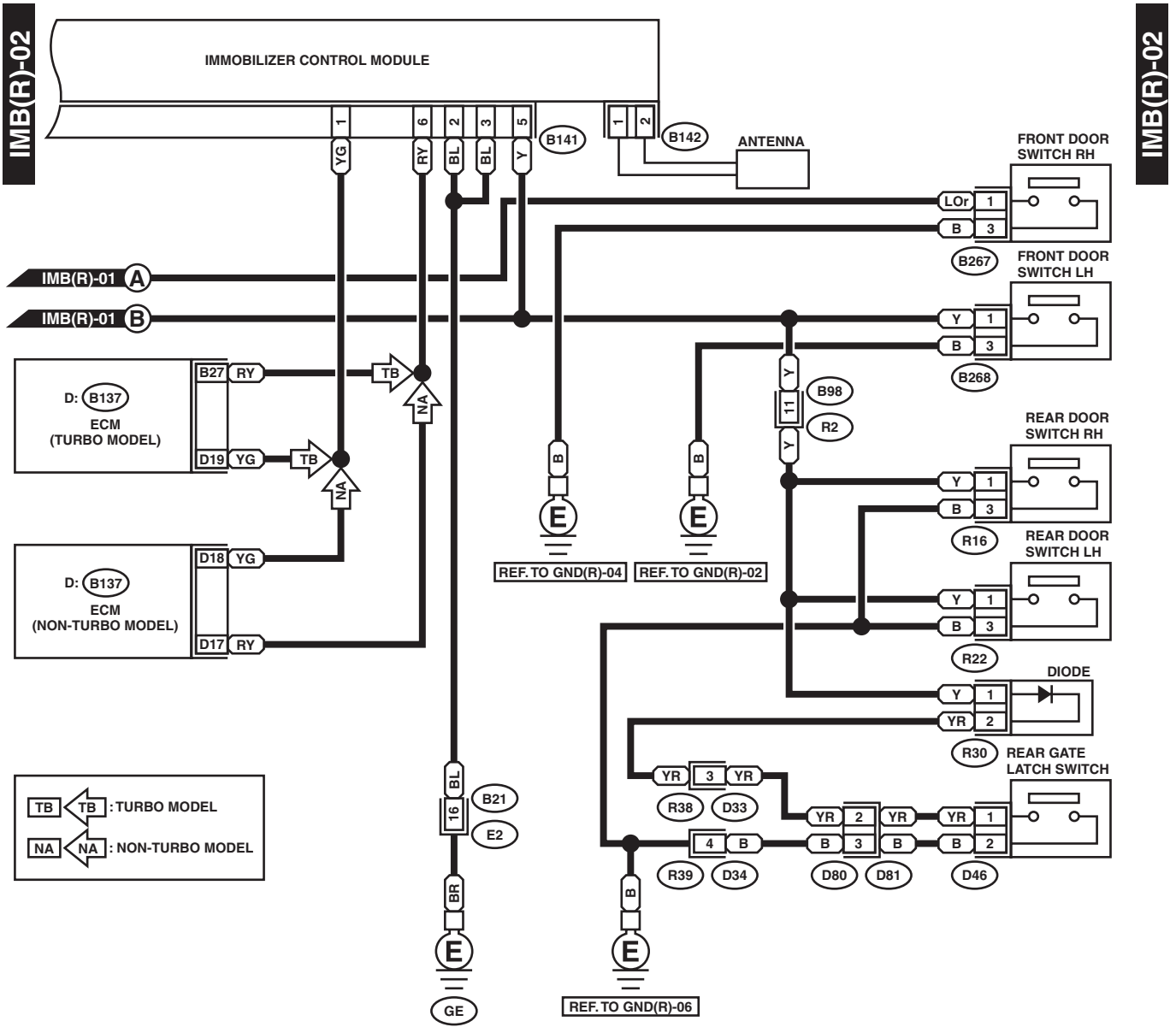
2. RHD MODEL



WI-00415

Immobilizer System

WIRING SYSTEM



WI-03330

Door Lock System

WIRING SYSTEM

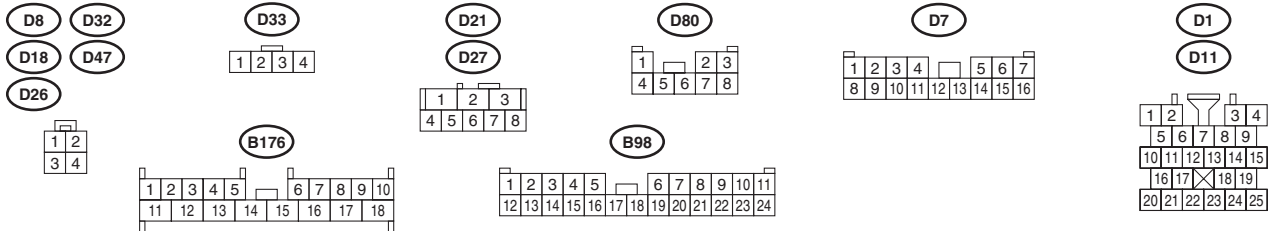
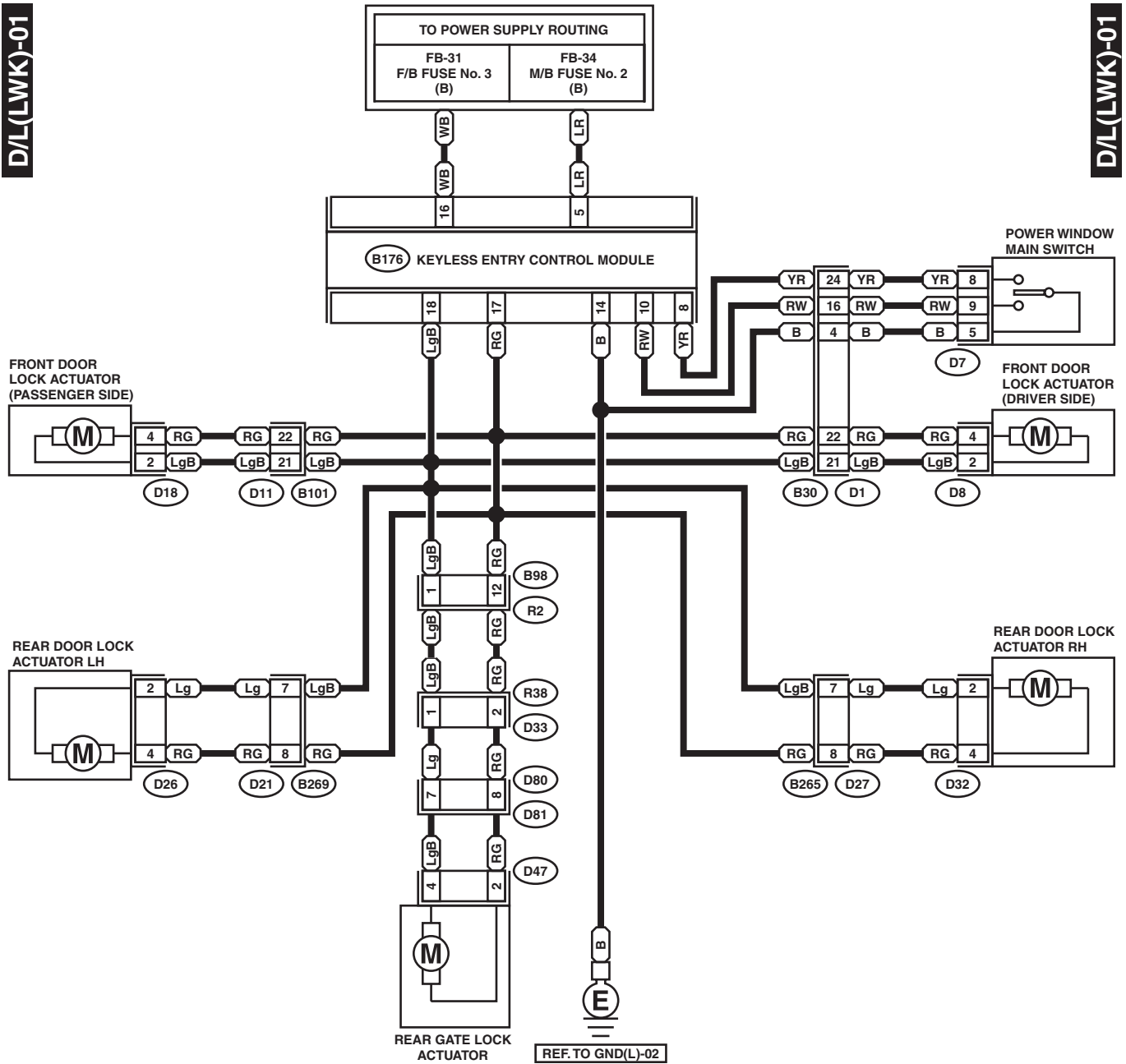
20. Door Lock System

A: WIRING DIAGRAM

1. LHD MODEL

D/L(LWK)-01

D/L(LWK)-01



WI-03272

Keyless Entry System

WIRING SYSTEM

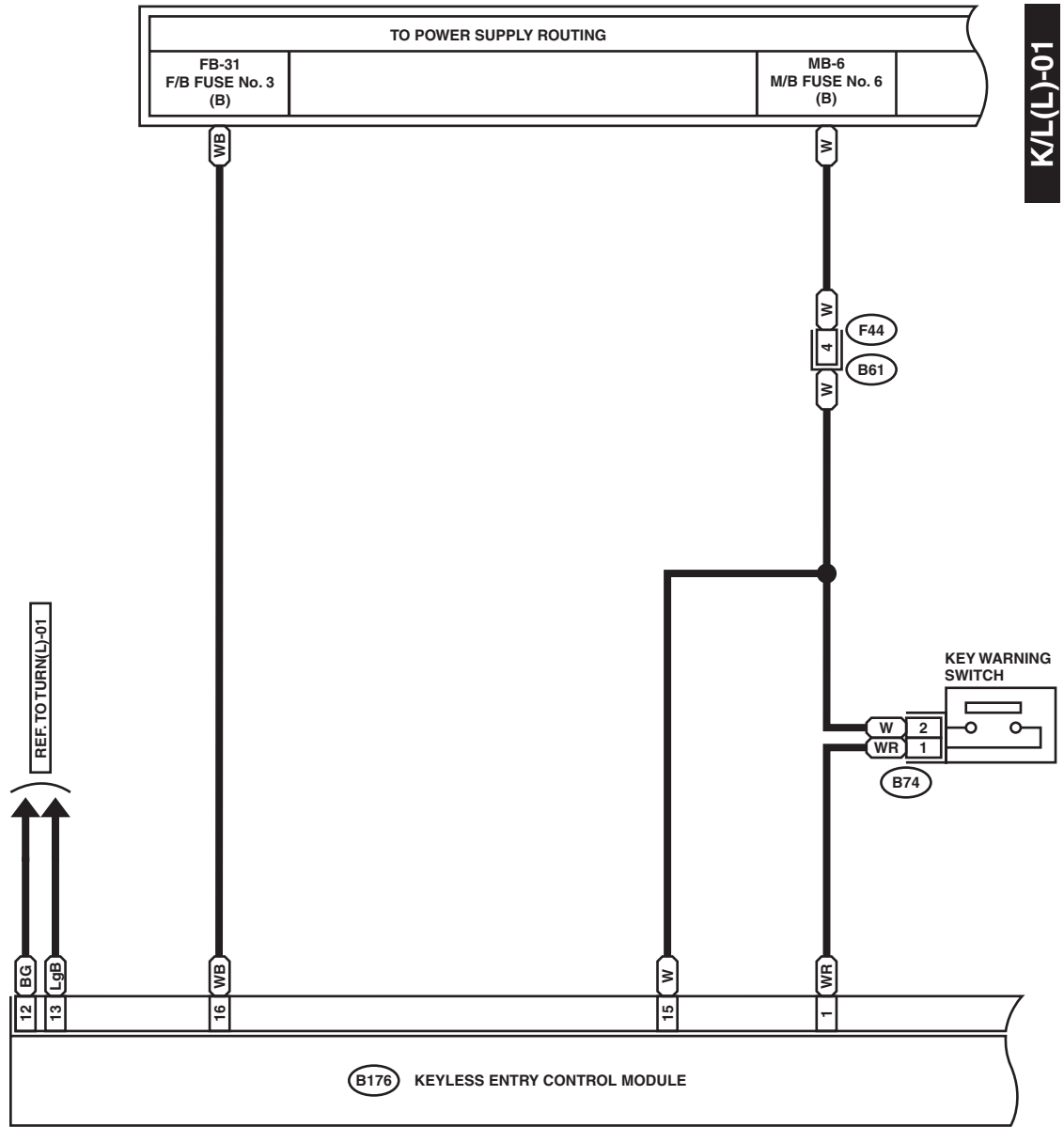
21. Keyless Entry System

A: WIRING DIAGRAM

1. LHD MODEL

K/L(L)-01

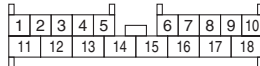
K/L(L)-01



B74 (BLACK)

F44

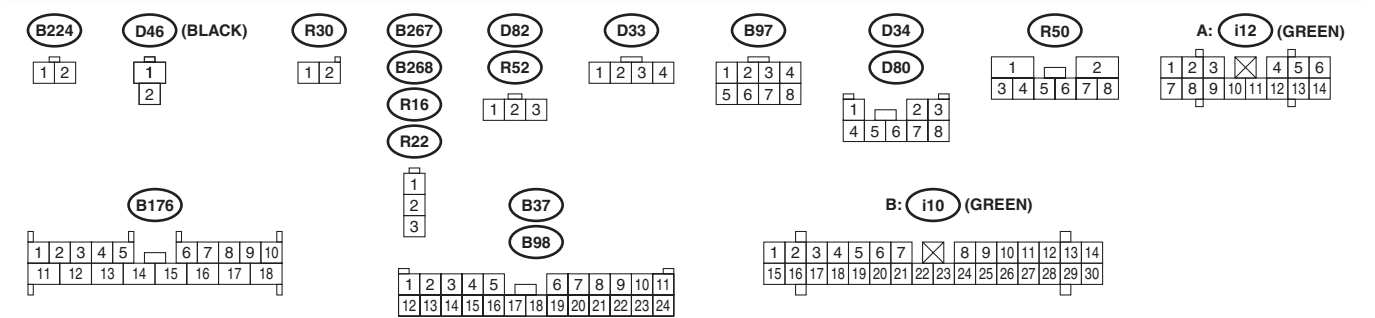
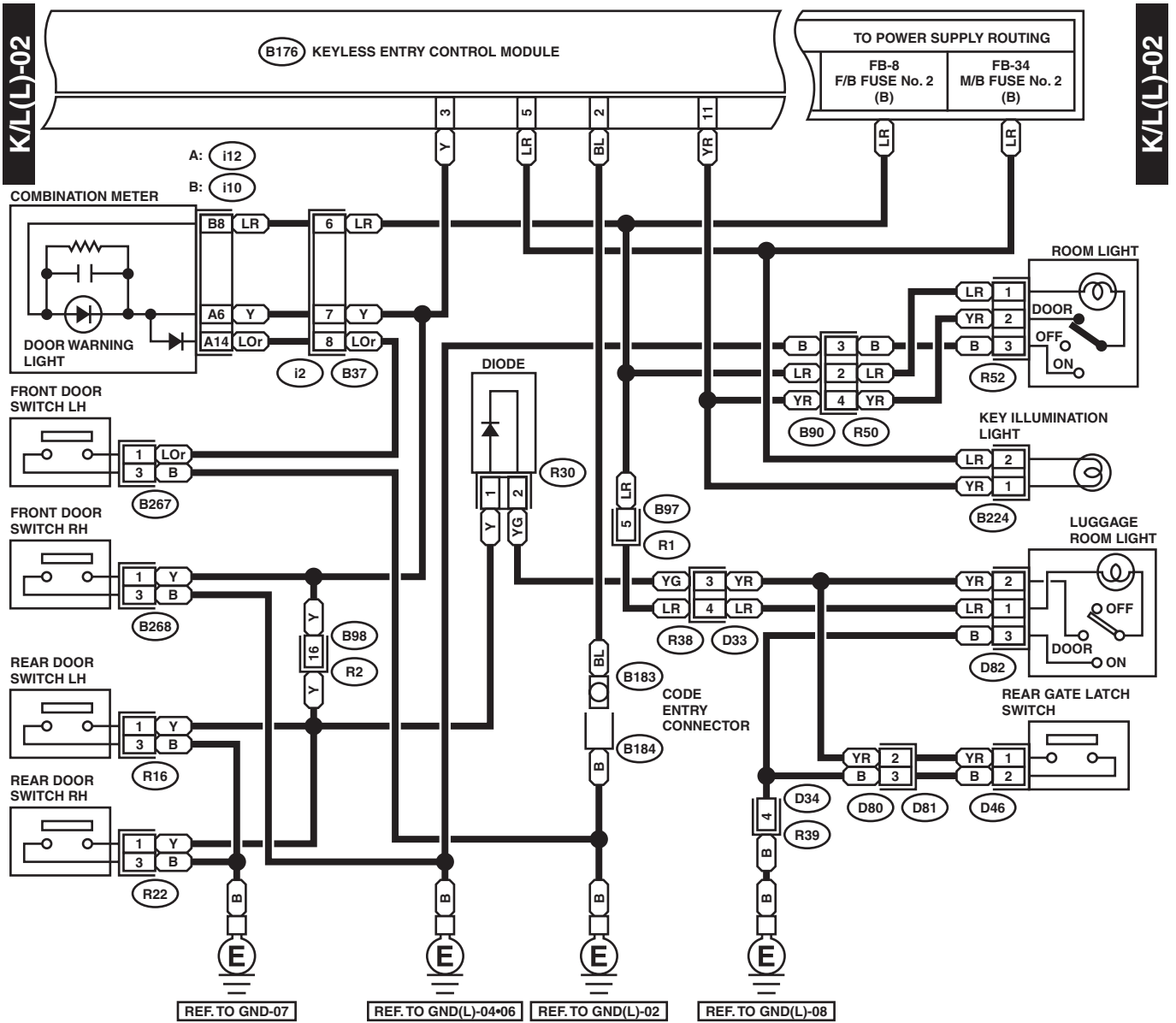
B176



WI-00425

Keyless Entry System

WIRING SYSTEM



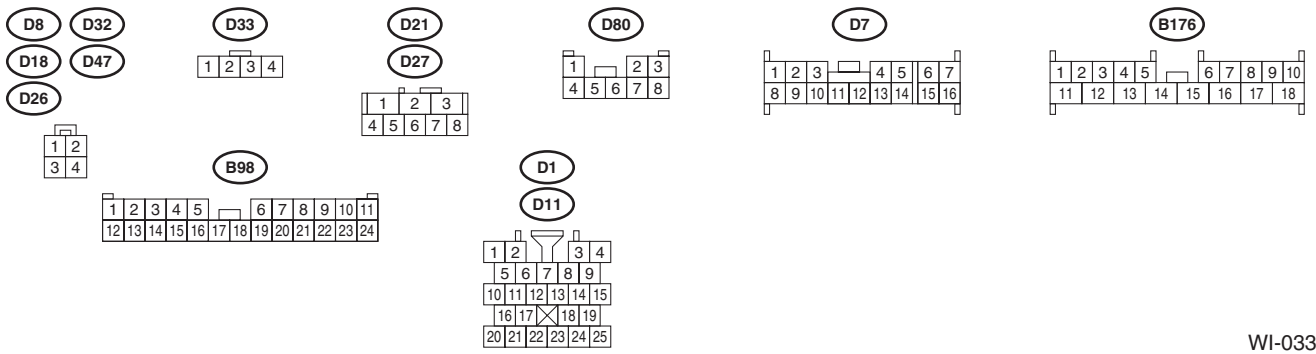
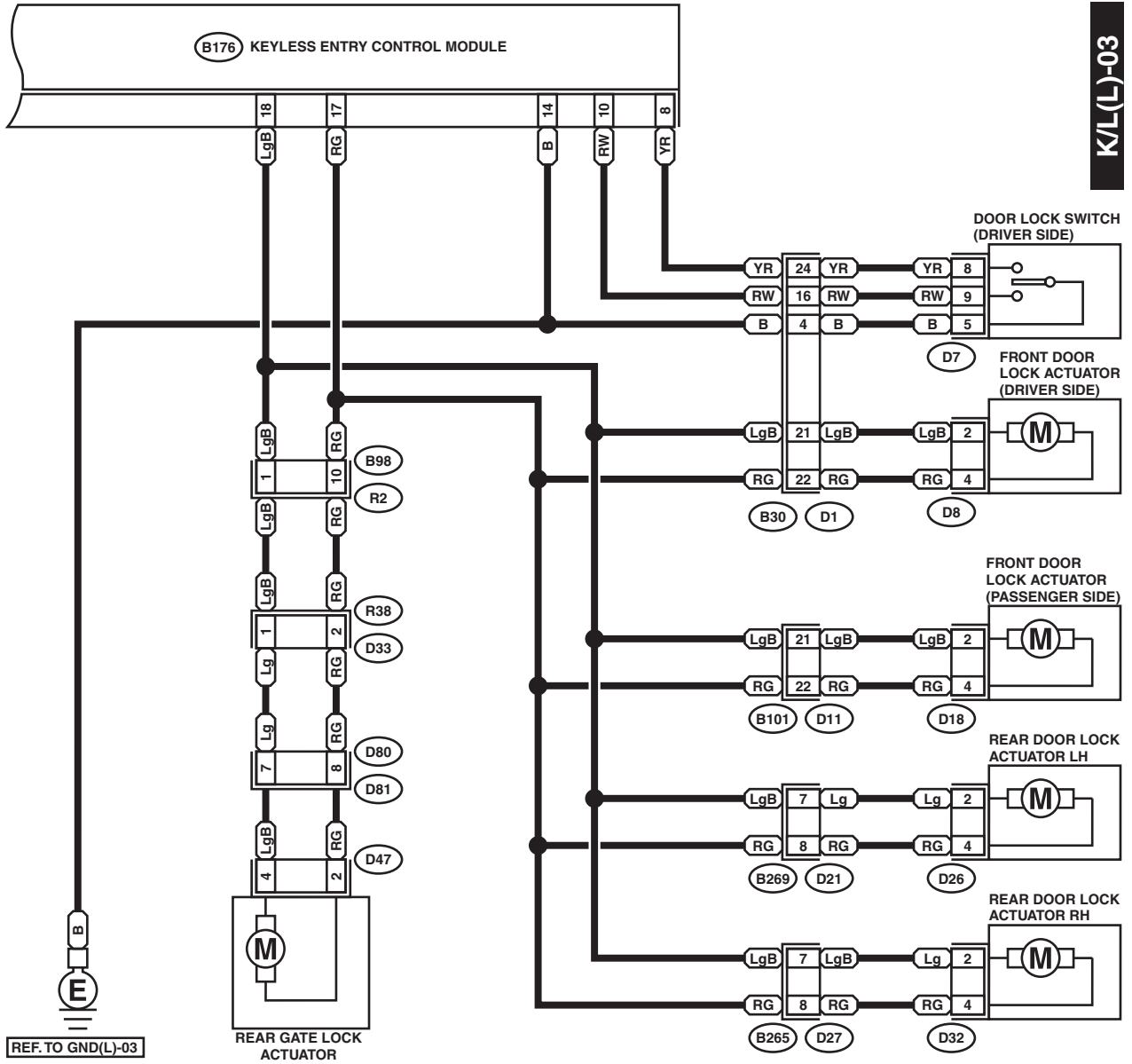
WI-03335

Keyless Entry System

WIRING SYSTEM

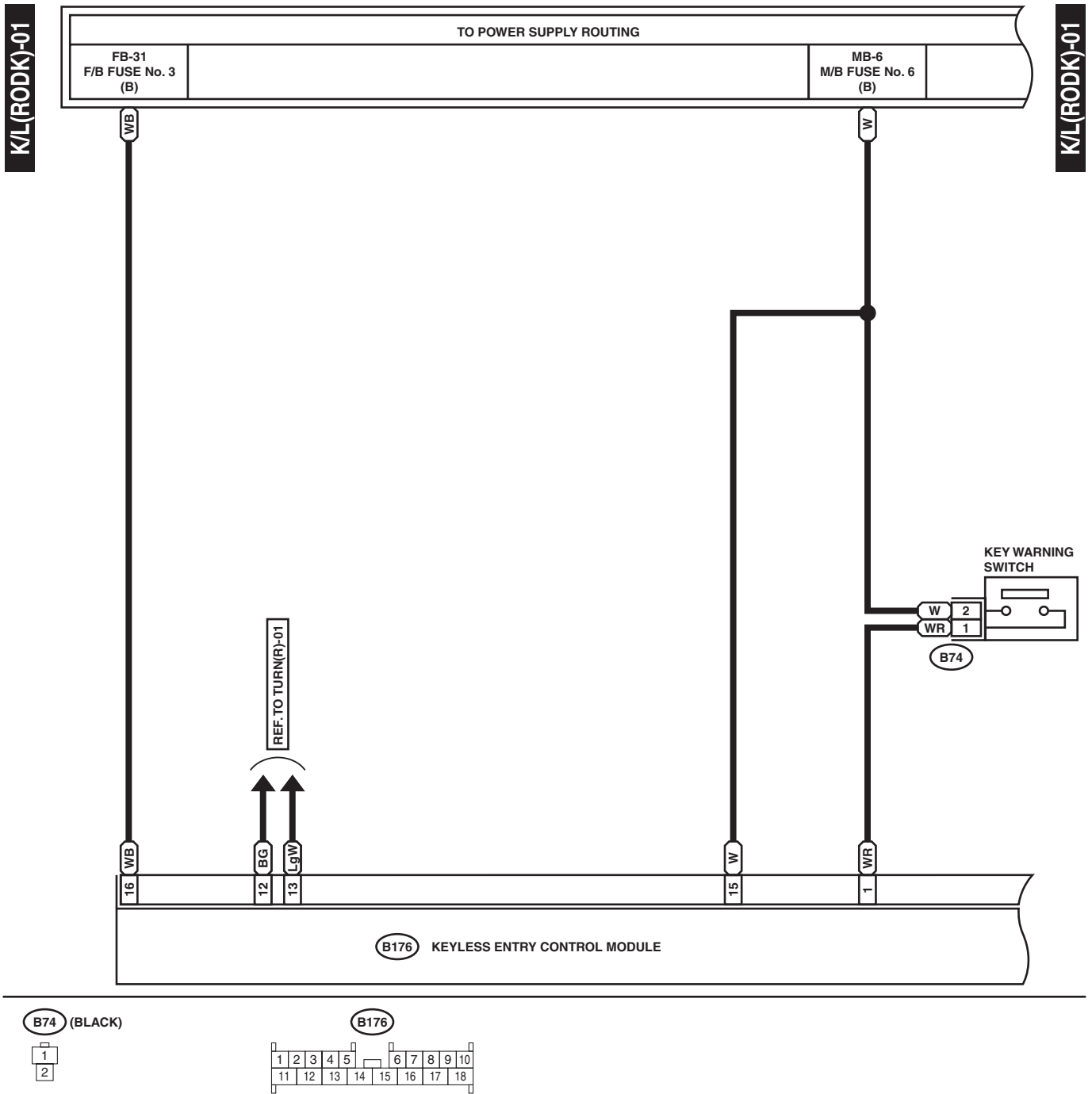
K/L(L)-03

K/L(L)-03



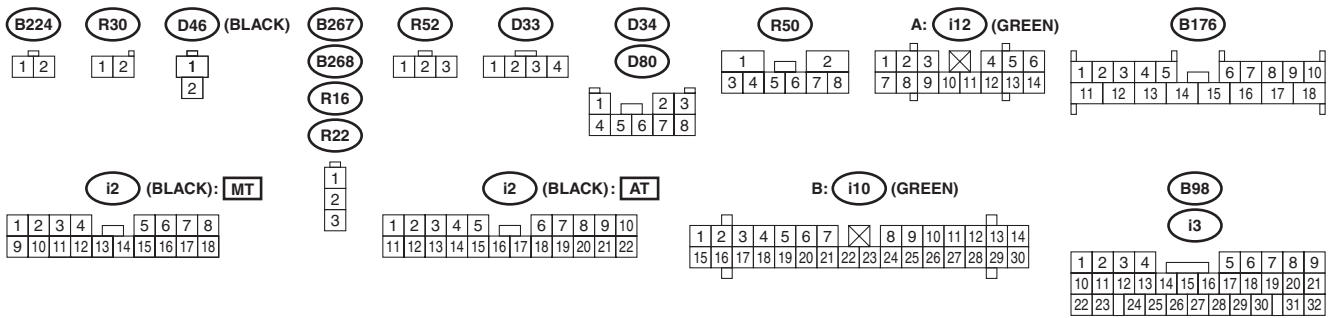
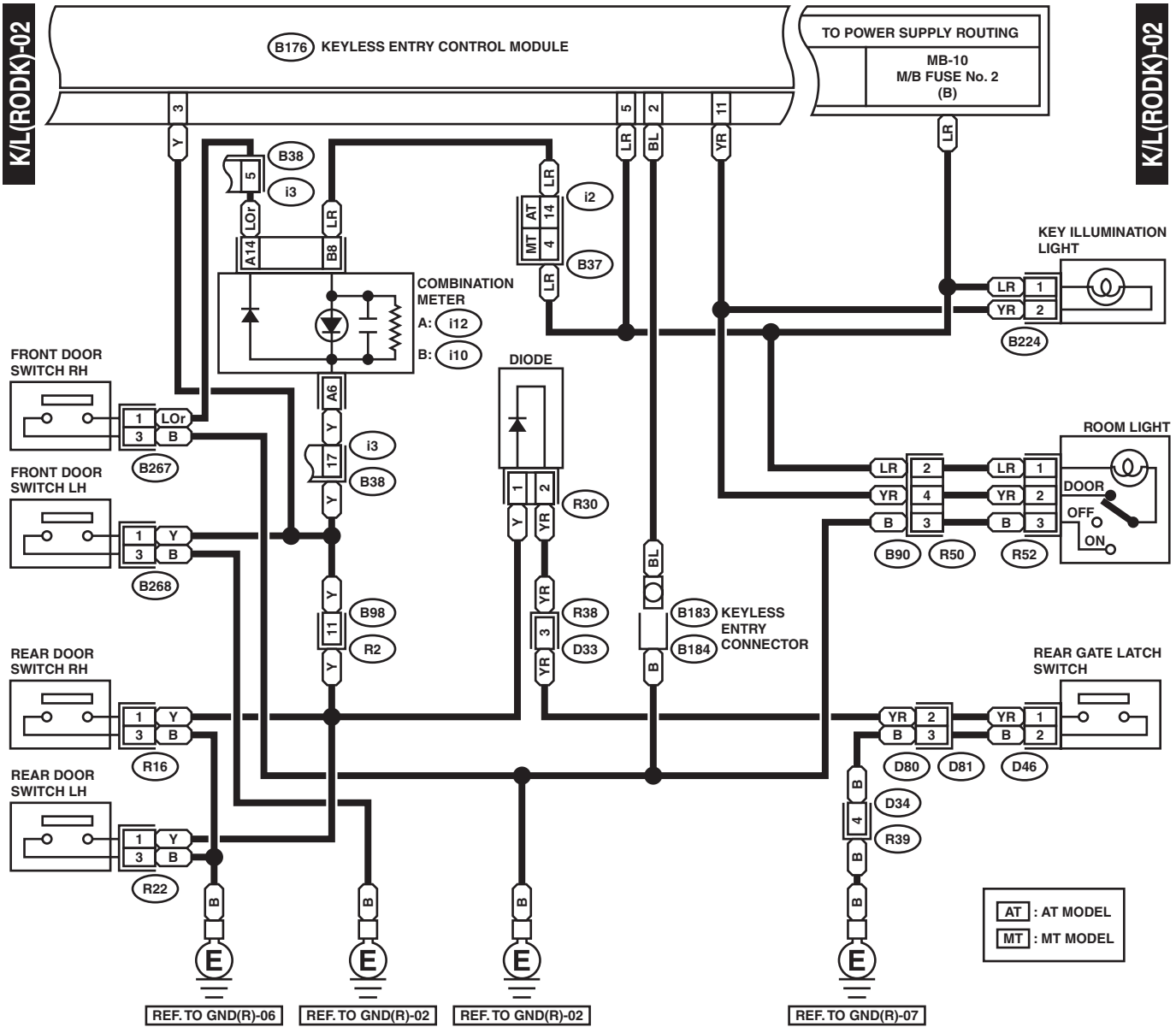
WI-03336

2. RHD WITHOUT DOUBLE LOCK MODEL



Keyless Entry System

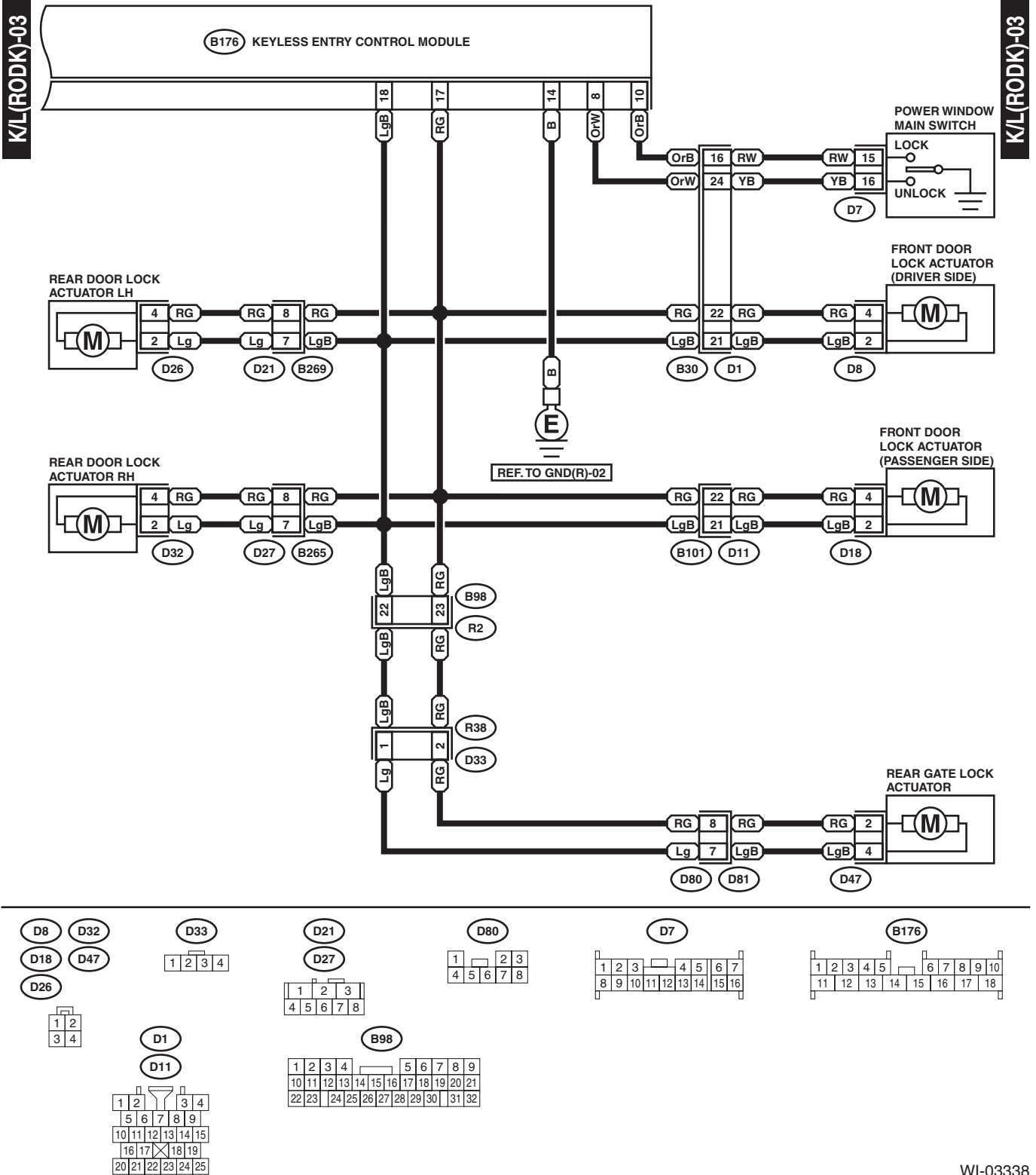
WIRING SYSTEM



WI-03337

Keyless Entry System

WIRING SYSTEM



WI-03338

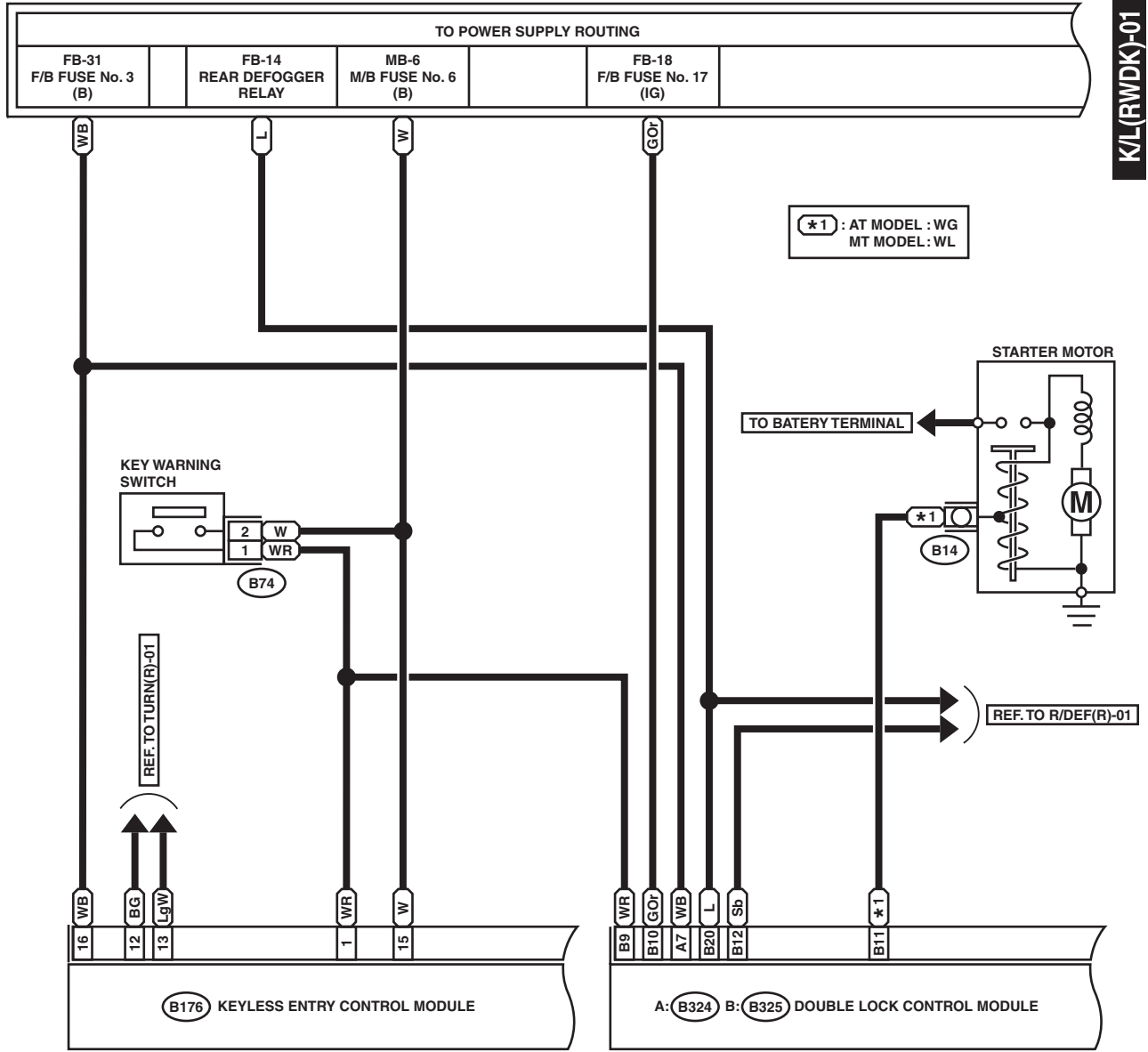
Keyless Entry System

WIRING SYSTEM

3. RHD WITH DOUBLE LOCK MODEL

K/L(RWDK)-01

K/L(RWDK)-01



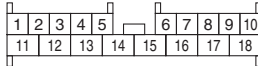
(B74) (BLACK)



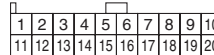
A: (B324) (GRAY)



(B176)



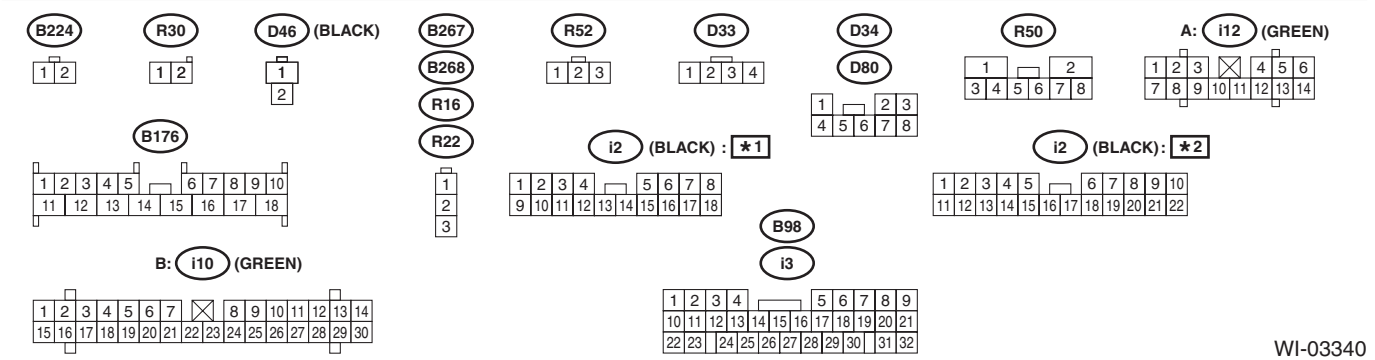
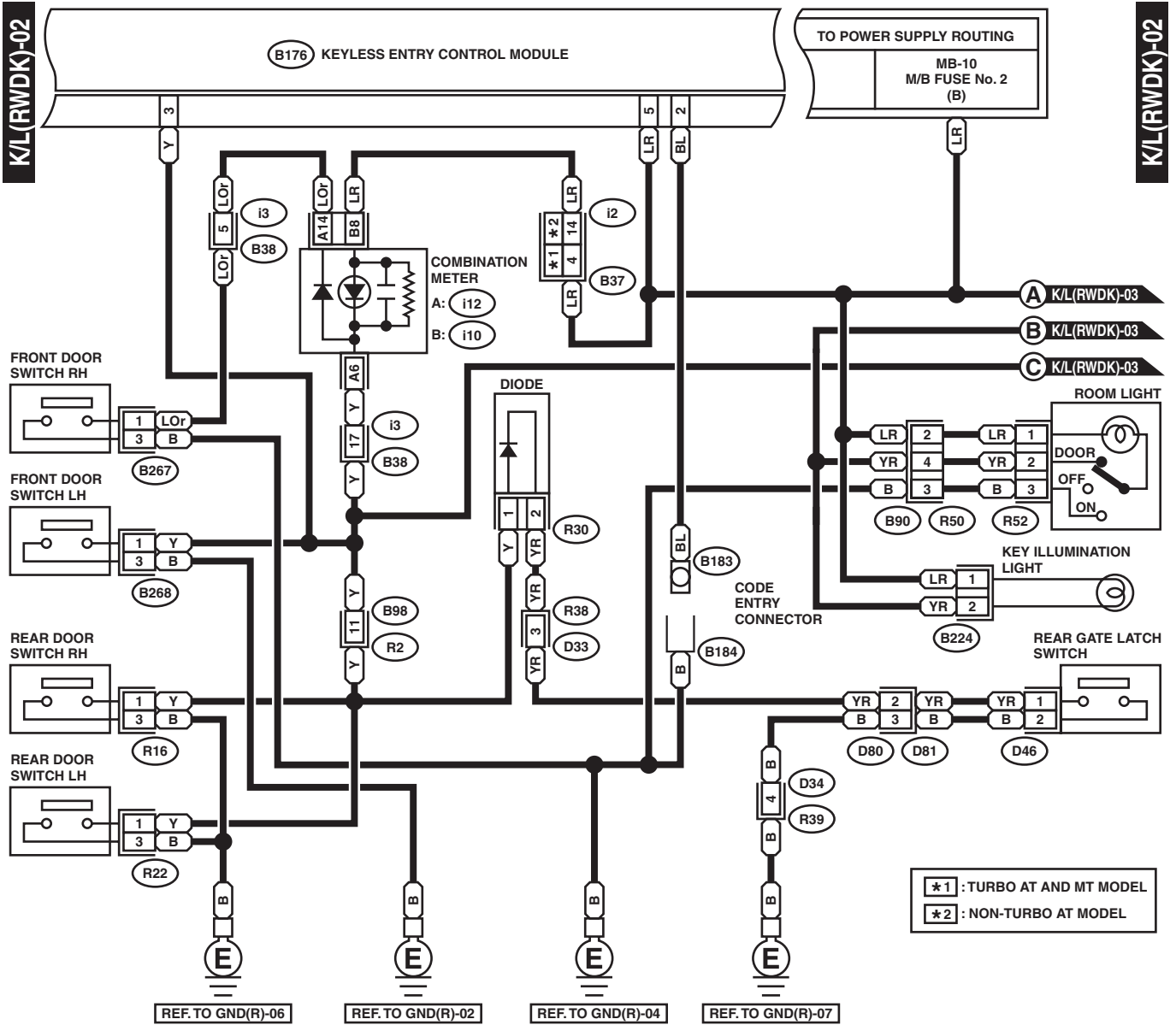
B: (B325) (GRAY)



WI-03339

Keyless Entry System

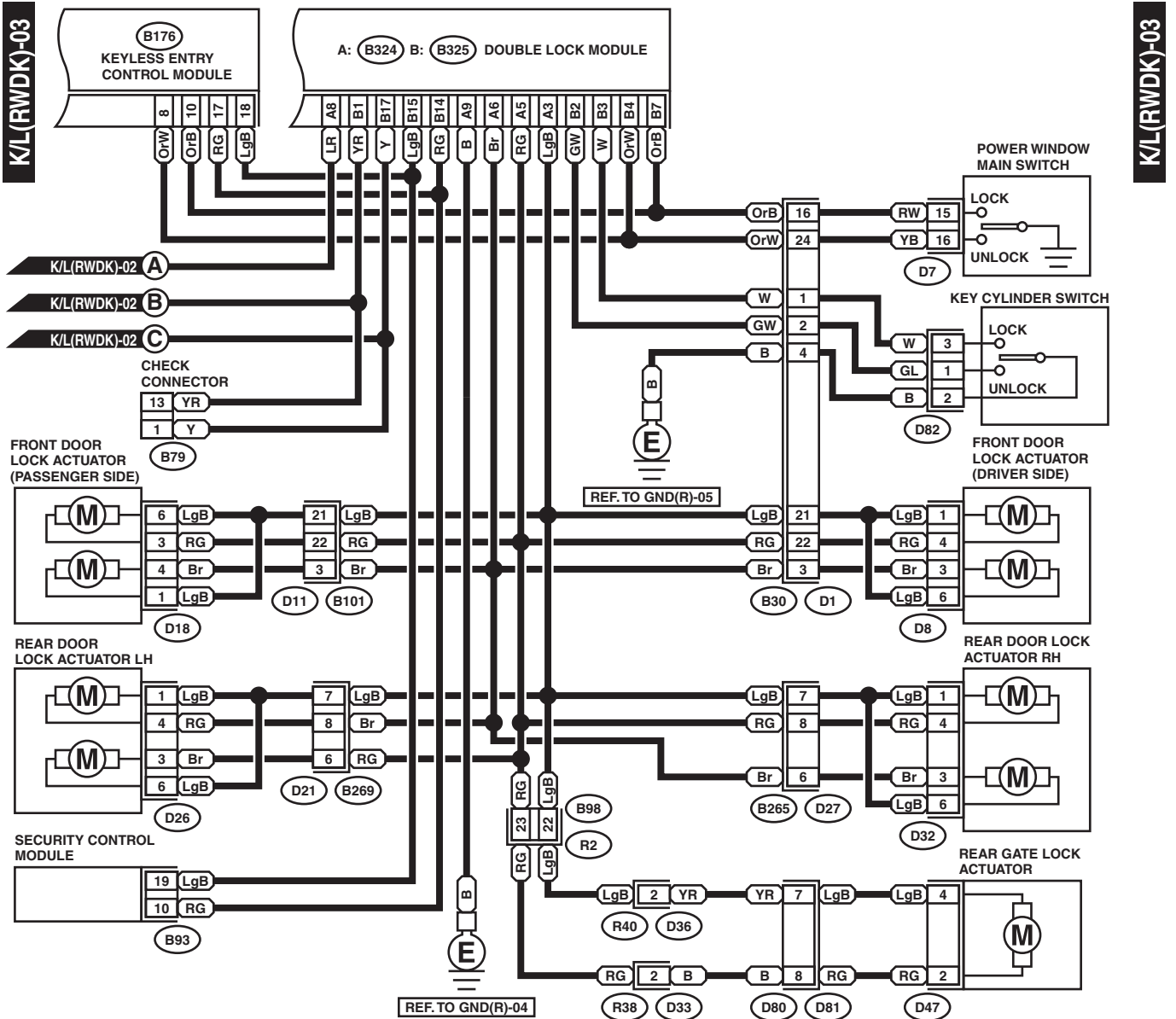
WIRING SYSTEM



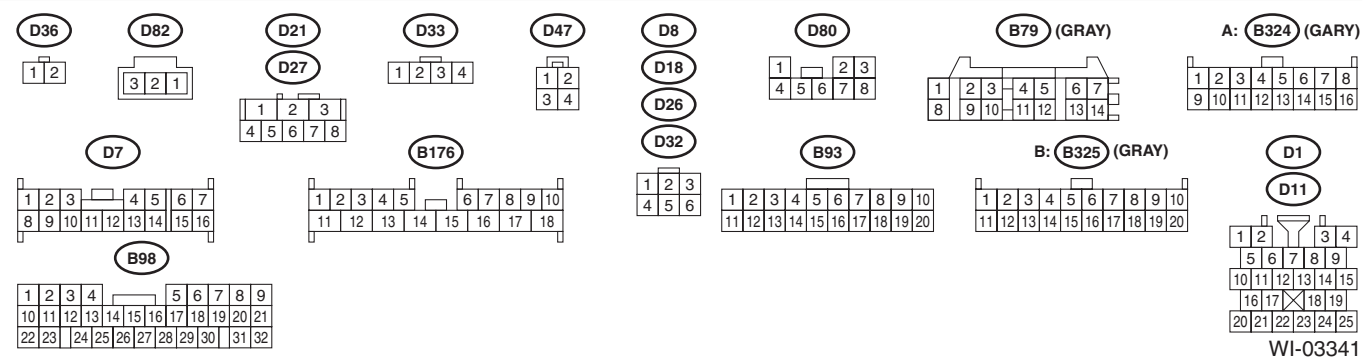
WI-03340

Keyless Entry System

WIRING SYSTEM



KL(RWDK)-03



22.Back-up Light System

A: WIRING DIAGRAM

BACK/L-01

BACK/L-01

