

BODY SECTION

This service manual has been prepared to provide SUBARU service personnel with the necessary information and data for the correct maintenance and repair of SUBARU vehicles.

This manual includes the procedures for maintenance, disassembling, reassembling, inspection and adjustment of components and diagnostics for guidance of experienced mechanics.

Please peruse and utilize this manual fully to ensure complete repair work for satisfying our customers by keeping their vehicle in optimum condition. When replacement of parts during repair work is needed, be sure to use SUBARU genuine parts.

All information, illustration and specifications contained in this manual are based on the latest product information available at the time of publication approval.

**HVAC SYSTEM
(HEATER, VENTILATOR AND A/C)** AC

**HVAC SYSTEM (AUTO A/C)
(DIAGNOSTIC)** AC

AIRBAG SYSTEM AB

AIRBAG SYSTEM (DIAGNOSTIC) AB

SEAT BELT SYSTEM SB

LIGHTING SYSTEM LI

WIPER AND WASHER SYSTEM WW

ENTERTAINMENT ET

COMMUNICATION SYSTEM COM

GLASS/WINDOW/MIRROR GW

BODY STRUCTURE BS

INSTRUMENTATION/DRIVER INFO IDI

SEAT SE

SECURITY AND LOCK SL

**SUNROOF/T-TOP/CONVERTIBLE TOP
(SUNROOF)** SR

EXTERIOR/INTERIOR TRIM EI

EXTERIOR BODY PANEL EB

BODY SECTION

CRUISE CONTROL SYSTEM CC

CRUISE CONTROL SYSTEM (DIAGNOSTIC) CC(H4SO)

CRUISE CONTROL SYSTEM (DIAGNOSTIC) CC(H4DOTC)

CRUISE CONTROL SYSTEM (DIAGNOSTIC) CC(H4DOTC 2.5)

IMMOBILIZER (DIAGNOSTIC) IM

SEAT BELT SYSTEM

SB

	Page
1. General Description	2
2. Inspection Locations After a Collision	6
3. Seat Belt Warning System	7
4. Front Seat Belt	10
5. Rear Seat Belt	12
6. Disposal of Pretensioner	14

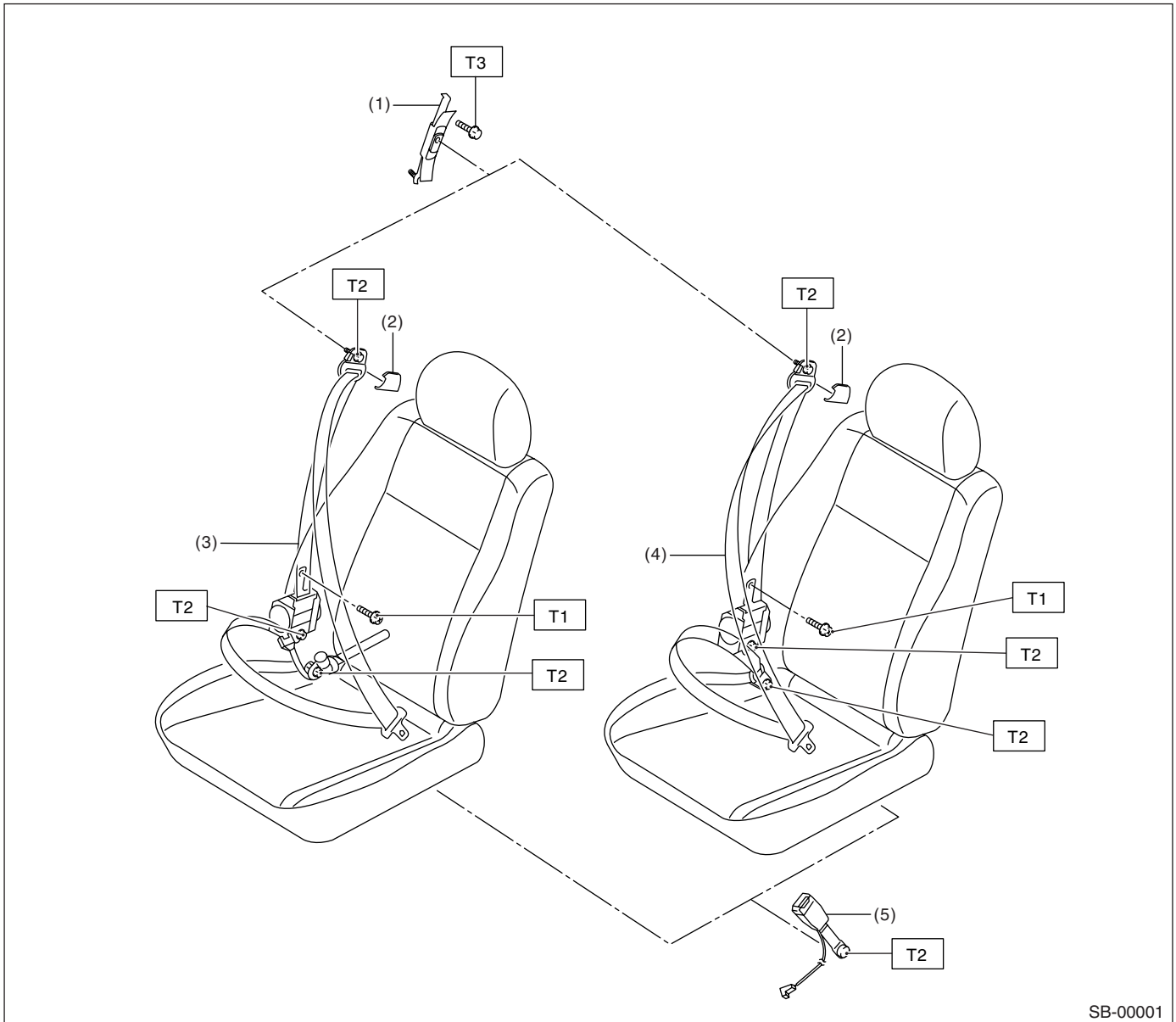
General Description

SEAT BELT SYSTEM

1. General Description

A: COMPONENT

1. FRONT SEAT BELT



SB-00001

- (1) Adjuster anchor ASSY
- (2) Anchor cover
- (3) Outer belt ASSY with lap pretensioner (For Australia model)
- (4) Outer belt ASSY
- (5) Inner belt ASSY

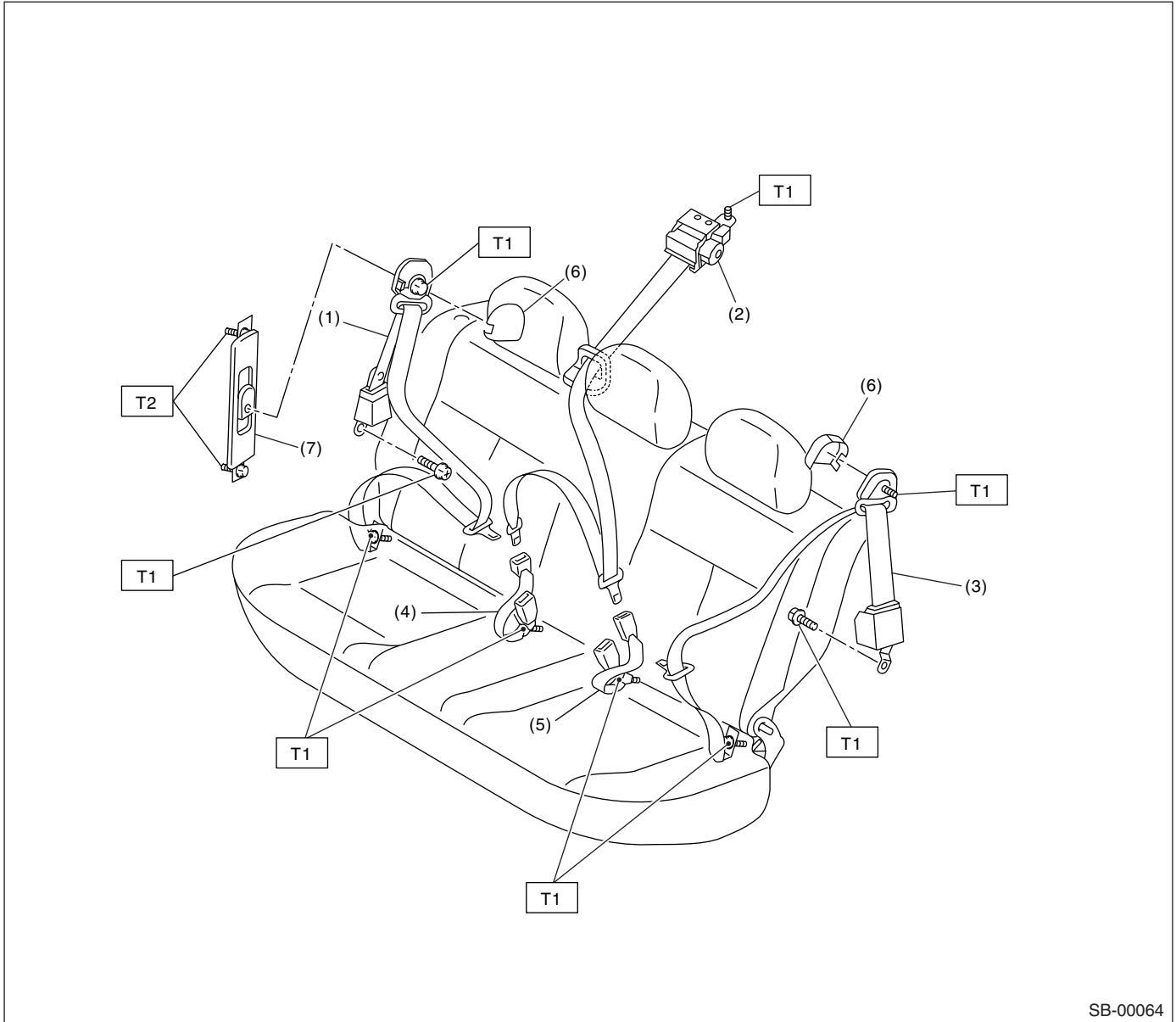
Tightening torque: N·m (kgf·m, ft·lb)

T1: 7.5 (0.76, 5.5)

T2: 30 (3.1, 22)

T3: 53 (5.4, 39)

2. REAR SEAT BELT



SB-00064

- | | |
|----------------------------|--------------------------|
| (1) Outer seat belt RH | (5) Inner seat belt LH |
| (2) Outer seat belt CENTER | (6) Anchor cover |
| (3) Outer seat belt LH | (7) Adjuster anchor ASSY |
| (4) Inner seat belt RH | |

Tightening torque: N·m (kgf·m, ft·lb)

T1: 30 (3.1, 22)

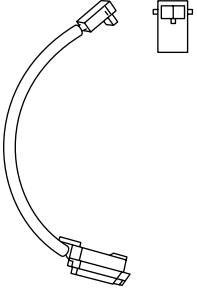
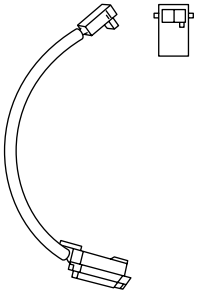
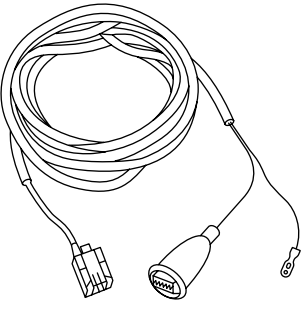
T2: 53 (5.4, 39)

B: CAUTION

- Before starting, turn the ignition switch to OFF, disconnect the battery ground cable and wait for 20 seconds or more.
- The pretension system has a backup power source. The pretensioner might deploy if you do not wait for 20 seconds or more before starting work.
- Do not drop or apply any impact to the pretensioner.
- If oil, grease, or water gets on the pretensioner, wipe it off immediately with a dry cloth.
- Do not expose the pretensioner to high temperature or flame.
- Do not allow current to flow through or voltage to reach the pretensioner. Do not use a circuit tester to check resistance of the pretensioner.
- Do not disassemble or attempt to repair the pretensioner. If it is dented, cracked, or deformed, replace it with a new one.
- Do not use the airbag or pretensioner parts from other vehicles. Always replace parts with new parts.
- When handling a seat belt with a deployed pretensioner, wear gloves and goggles. Wash your hands afterwards.
- Do not re-use a seat belt with a deployed pretensioner again.
- Be sure to deploy pretensioner before disposal. <Ref. to SB-14, OPERATION, Disposal of Pretensioner.>
- If the material gets in your eyes or on your skin during deployment, wash it away with clean water, and then consult a doctor.

C: PREPARATION TOOL

1. SPECIAL TOOL

ILLUSTRATION	TOOL NUMBER	DESCRIPTION	REMARKS
 <p style="text-align: center;">ST98299SA010</p>	98299SA010	DEPLOYMENT ADAPTER D	<ul style="list-style-type: none"> • Used for deploying the pretensioner. • Used with DEPLOYMENT TOOL (98299PA030).
 <p style="text-align: center;">ST98299SA050</p>	98299SA050	DEPLOYMENT ADAPTER F	<ul style="list-style-type: none"> • Used for deploying the lap seat belt pretensioner. • Used with DEPLOYMENT TOOL (98299PA030).
 <p style="text-align: center;">ST98299PA030</p>	98299PA030	DEPLOYMENT TOOL	<ul style="list-style-type: none"> • Used for deploying the pretensioner. • Used with DEPLOYMENT ADAPTER D (98299SA010) or DEPLOYMENT ADAPTER F (98299SA050).

2. GENERAL TOOL

TOOL NAME	REMARKS
Circuit tester	Used for measuring resistance and voltage.

2. Inspection Locations After a Collision

A: INSPECTION

Check for the following, and then replace with new parts if necessary.

- Center pillar lower garnish is discolored or cracked.
- Wiring harness and/or connector is damaged.

3. Seat Belt Warning System

A: WIRING DIAGRAM

<Ref. to WI-255, WIRING DIAGRAM, Seat Belt Warning System.>

B: INSPECTION

TROUBLE SYMPTOM:

- Seat belt warning light does not come on or go off.
- Buzzer does not beep.

Step	Check	Yes	No
<p>1</p> <p>CHECK HARNESS BETWEEN SEAT BELT TIMER MODULE AND CHASSIS GROUND.</p> <p>1) Turn the ignition switch to OFF. 2) Disconnect the connector from seat belt timer module. 3) Measure the resistance between seat belt timer module harness connector and chassis ground.</p> <p>Connector & terminal (B44) No. 3 — Chassis ground:</p>	Is the resistance less than 1 Ω ?	Go to step 2.	Repair the open circuit of harness between seat belt timer module and chassis ground.
<p>2</p> <p>CHECK POWER SUPPLY OF SEAT BELT TIMER MODULE.</p> <p>1) Turn the ignition switch to ON. 2) Measure the voltage between seat belt timer module connector and chassis ground.</p> <p>Connector & terminal (B44) No. 9 (+) — Chassis ground (-):</p>	Is the voltage more than 10 V?	Go to step 3.	Repair the open harness, short circuit and poor contact of connector between seat belt timer module and battery.
<p>3</p> <p>CHECK HARNESS AND SEAT BELT SWITCH.</p> <p>1) Turn the ignition switch to OFF. 2) Disconnect the connector from seat belt timer module. 3) Hold the tang plate disconnected from seat belt buckle. 4) Measure the resistance between seat belt timer module harness connector and chassis ground.</p> <p>Connector & terminal (B44) No. 6 — Chassis ground:</p>	Is the resistance less than 1 Ω ?	Go to step 4.	Repair the short circuit of harness between seat belt timer module connector and chassis ground.
<p>4</p> <p>CHECK SEAT BELT SWITCH AND HARNESS.</p> <p>1) Turn the ignition switch to OFF. 2) Insert the tang plate into seat belt buckle. 3) Measure the resistance between seat belt timer module connector and chassis ground.</p> <p>Connector & terminal (B44) No. 6 — Chassis ground:</p>	Is the resistance more than 1 M Ω ?	Go to step 7.	Go to step 5.
<p>5</p> <p>CHECK HARNESS BETWEEN SEAT BELT TIMER MODULE AND SEAT BELT SWITCH.</p> <p>Measure the resistance of harness between seat belt timer module connector and seat belt switch.</p> <p>Connector & terminal (B44) No. 6 — (R8) No. 2:</p>	Is the resistance less than 1 Ω ?	Go to step 6.	Repair the open circuit of harness and poor contact of connector between seat belt timer module connector and seat belt switch.

Seat Belt Warning System

SEAT BELT SYSTEM

Step	Check	Yes	No
6 CHECK HARNESS BETWEEN SEAT BELT SWITCH AND CHASSIS GROUND. Measure the resistance of harness between seat belt switch and chassis ground. <i>Connector & terminal</i> <i>(R8) No. 1 — Chassis ground:</i>	Is the resistance more than 1 M Ω ?	Go to step 7.	Repair the open circuit of harness between seat belt switch and chassis ground.
7 CHECK SEAT BELT SWITCH. 1) Hold the tang plate disconnected from seat belt buckle. 2) Measure the resistance between seat belt switch terminals. <i>Terminals</i> <i>(R8) No. 1 — (R8) No. 2:</i>	Is the resistance less than 1 Ω ?	Go to step 8.	Replace the inner belt assembly.
8 CHECK SEAT BELT SWITCH. 1) Insert the tang plate into seat belt buckle. 2) Measure the resistance between seat belt switch terminals. <i>Terminals</i> <i>(R8) No. 1 — (R8) No. 2:</i>	Is the resistance more than 1 M Ω ?	Go to step 9.	Replace the inner belt assembly.
9 CHECK OPERATION OF SPEEDOMETER IN COMBINATION METER. Check the speedometer indicates vehicle speed correctly.	Does the speedometer operate correctly?	Go to step 10.	Check the speedometer circuit.
10 CHECK VEHICLE MODEL. Check the model of vehicle.	Is the vehicle MT model?	Go to step 11.	Go to step 13.
11 CHECK HARNESS BETWEEN VEHICLE SPEED SENSOR AND SEAT BELT TIMER MODULE. 1) Turn the ignition switch to OFF. 2) Disconnect the connector of vehicle speed sensor. 3) Measure the resistance between vehicle speed sensor harness connector and seat belt timer module connector. <i>Connector & terminal</i> <i>(B17) No. 1 — (B44) No. 7:</i>	Is the resistance less than 10 Ω ?	Go to step 12.	Repair the open harness between vehicle speed sensor and seat belt timer module.
12 CHECK HARNESS BETWEEN VEHICLE SPEED SENSOR AND SEAT BELT TIMER MODULE. Measure the resistance between seat belt timer module harness connector and chassis ground. <i>Connector & terminal</i> <i>(B44) No. 7 — Chassis ground:</i>	Is the resistance more than 1 M Ω ?	Go to step 15.	Repair the short of harness.
13 CHECK HARNESS BETWEEN TCU AND SEAT BELT TIMER MODULE. 1) Turn the ignition switch to OFF. 2) Disconnect the connector of TCU. 3) Measure the resistance of harness between TCU harness connector and seat belt timer module harness connector <i>Connector & terminal</i> <i>(B56) No. 17 — (B44) No. 7:</i>	Is the resistance less than 10 Ω ?	Go to step 14.	Repair the open harness between TCU and seat belt timer module.

Seat Belt Warning System

SEAT BELT SYSTEM

Step	Check	Yes	No
14 CHECK HARNESS BETWEEN TCU AND SEAT BELT TIMER MODULE. Measure the resistance between seat belt timer module harness connector and chassis ground. <i>Connector & terminal (B44) No. 7 — Chassis ground:</i>	Is the resistance less than 10 Ω ?	Go to step 15.	Repair the short of harness.
15 CHECK SEAT BELT TIMER MODULE OUTPUT SIGNAL. 1) Turn the ignition switch to ON. 2) Measure the voltage between seat belt timer module harness connector and chassis ground. <i>Connector & terminal (B44) No. 2 (+) — Chassis ground (-):</i>	Is the voltage more than 10 V?	Go to step 16.	Check the wiring harness and combination meter, and then repair or replace them.
16 CHECK POOR CONTACT. Check the poor contact of seat belt warning light circuit.	Is there any poor contact occurs?	Repair the poor contact.	Go to step 17.
17 CHECK SEAT BELT TIMER MODULE. 1) Connect all connectors. 2) Lift-up the vehicle and place rigid racks. NOTE: Raise all wheels off floor. 3) Hold the tang plate disconnected from seat belt buckle. 4) Start the engine, and set the vehicle speed less than 19 km/h (12 MPH) NOTE: The speed difference between front and rear wheels may light the ABS warning light, but this indicates no malfunction. When diagnosis is finished, perform the ABS memory clearance procedure of OBD system. <Ref. to ABS-23, Clear Memory Mode.> Check seat belt warning light comes on.	Does the seat belt warning light come on?	Go to step 18.	Replace the seat belt timer module.
18 CHECK SEAT BELT TIMER MODULE. 1) Connect all connectors. 2) Lift-up the vehicle and place rigid racks. NOTE: Raise all wheels off floor. 3) Hold the tang plate disconnected from seat belt buckle. 4) Start the engine, and set the vehicle speed more than 25 km/h (16 MPH). NOTE: The speed difference between front and rear wheels may light the ABS warning light, but this indicates no malfunction. When diagnosis is finished, perform the ABS memory clearance procedure of OBD system. <Ref. to ABS-23, Clear Memory Mode.> Check seat belt warning light comes on and buzzer beeps.	Does the seat belt warning light come on and buzzer beep?	Temporary poor contact of connector or harness may be the cause. Check the poor contact.	Replace the seat belt timer module.

Front Seat Belt

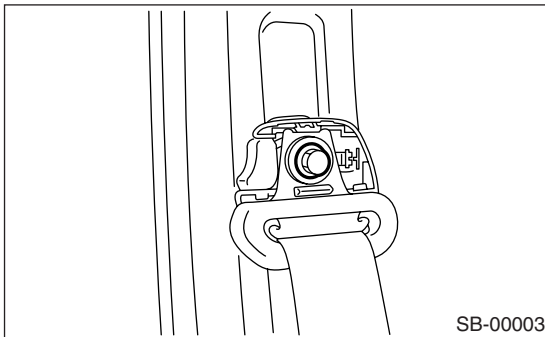
SEAT BELT SYSTEM

4. Front Seat Belt

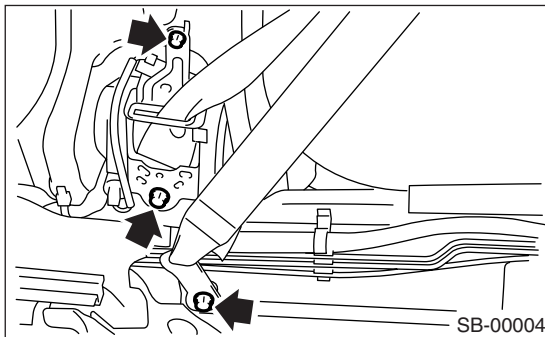
A: REMOVAL

1. FRONT OUTER BELT

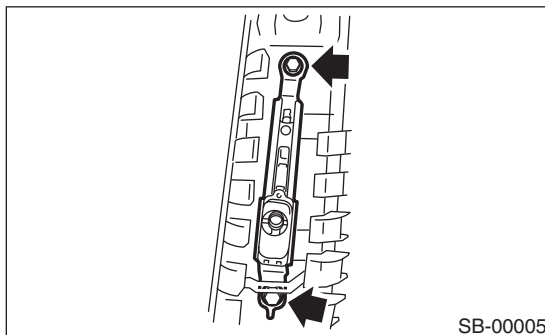
- 1) Fold backrest all the way forward, and then move front seat all the way forward.
- 2) Turn the ignition switch to OFF, disconnect the ground cable from battery, and wait for more than 20 seconds before starting work.
- 3) Remove the center pillar lower trim. <Ref. to EI-44, REMOVAL, Lower Inner Trim.>
- 4) Remove the anchor cover. Loosen the shoulder anchor bolt, and then detach the shoulder anchor from center pillar.



- 5) Turn over the floor mat to remove the bolts.



- 6) Disconnect the yellow connector of pretensioner harness, and remove the front outer belt.
- 7) Remove the center pillar upper trim. <Ref. to EI-43, REMOVAL, Upper Inner Trim.>
- 8) Remove the two bolts and adjustable anchor assembly.

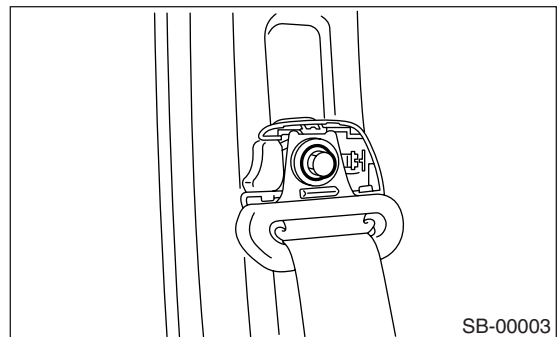


CAUTION:

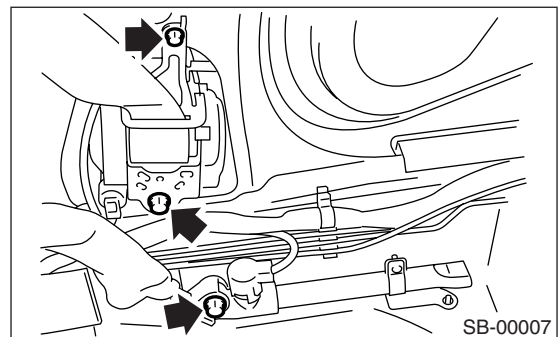
- Do not drop or apply any impact to the pretensioner.
- Pretensioner and bracket should be treated as an assembly. Do not attempt to disassemble it.

2. FRONT OUTER SEAT BELT WITH LAP SEAT BELT PRETENSIONER

- 1) Fold backrest forward, and then move front seat forward.
- 2) Turn the ignition switch to OFF, disconnect the ground cable from battery, and wait for more than 20 seconds before starting work.
- 3) Remove the center pillar lower trim. <Ref. to EI-44, REMOVAL, Lower Inner Trim.>
- 4) Remove the anchor cover. Loosen the shoulder anchor bolt, and then detach the shoulder anchor from center pillar.

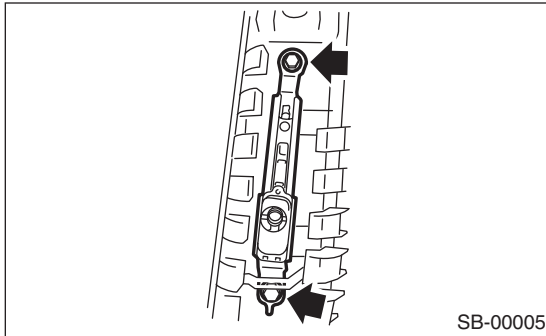


- 5) Turn over the floor mat to remove the bolts.



- 6) Disconnect the yellow connector of pretensioner harness and orange connector of lap pretensioner harness, and remove the front outer belt.
- 7) Remove the center pillar upper trim. <Ref. to EI-43, REMOVAL, Upper Inner Trim.>

8) Remove the two bolts and adjustable anchor assembly.

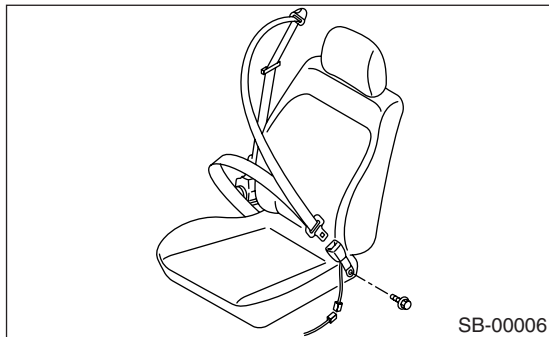


CAUTION:

- Do not drop or apply any impact to the pretensioner.
- Pretensioner and bracket should be treated as an assembly. Do not attempt to disassemble it.

3. FRONT INNER BELT

- 1) Disconnect the connector.
- 2) Remove the anchor bolt, and then detach the inner belt.



B: INSTALLATION

1. FRONT OUTER BELT

Install in the reverse order of removal.

CAUTION:

- The parts on right and left are not identical. Before installation, make sure that the correct part is used.
- Be careful not to twist the belts during installation.

Tightening torque:

<Ref. to SB-2, FRONT SEAT BELT, COMPONENT, General Description.>

2. FRONT OUTER BELT WITH LAP SEAT BELT PRETENSIONER

Install in the reverse order of removal.

CAUTION:

- The parts on right and left are not identical. Before installation, make sure that the correct part is used.
- Be careful not to twist the belts during installation.

Tightening torque:

<Ref. to SB-2, FRONT SEAT BELT, COMPONENT, General Description.>

3. FRONT INNER BELT

Install in the reverse order of removal.

Tightening torque:

<Ref. to SB-2, FRONT SEAT BELT, COMPONENT, General Description.>

C: INSPECTION

1. FRONT OUTER BELT

Check for the following, and replace with new parts if necessary.

- Pretensioner is cracked or deformed.
- Seat belt is slackened, bent or frayed. Seat belt is abnormally wound or extended.

2. FRONT INNER BELT

Check for the following, and replace with new parts if necessary.

- Inner belt is deformed or damaged.
- Seat belt buckle is engaged improperly.

Rear Seat Belt

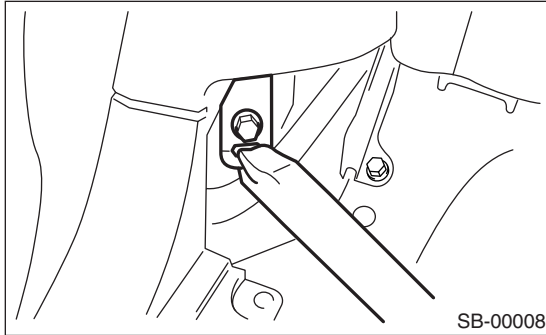
SEAT BELT SYSTEM

5. Rear Seat Belt

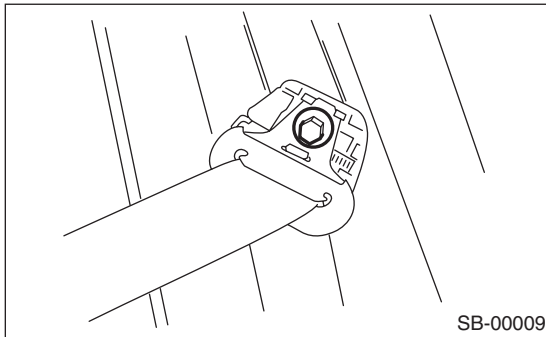
A: REMOVAL

1. OUTER BELT SIDE

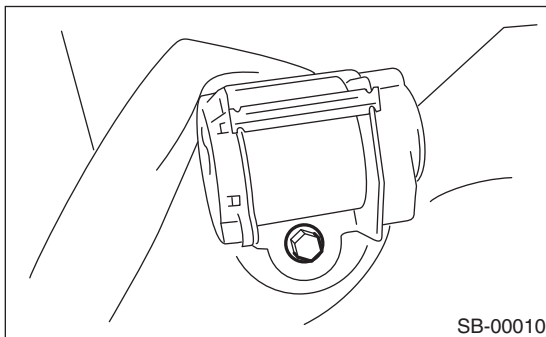
- 1) Remove the luggage floor mat. <Ref. to EI-50, REMOVAL, Luggage Floor Mat.>
- 2) Remove the rear seat. <Ref. to SE-13, REMOVAL, Rear Seat.>
- 3) Remove the rear quarter trim. <Ref. to EI-45, REMOVAL, Rear Quarter Trim.>
- 4) Remove the seat belt lower anchor bolt.



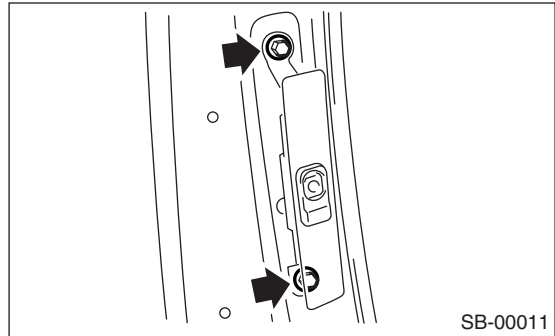
- 5) Remove the anchor cover. Remove the bolt and shoulder anchor from pillar.



- 6) Remove the rear quarter trim. <Ref. to EI-45, REMOVAL, Rear Quarter Trim.>
- 7) Remove the bolts, and then detach the outer belt side.

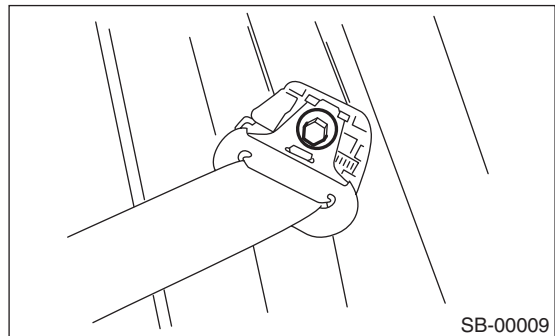


- 8) Remove the two bolts and adjustable anchor assembly.

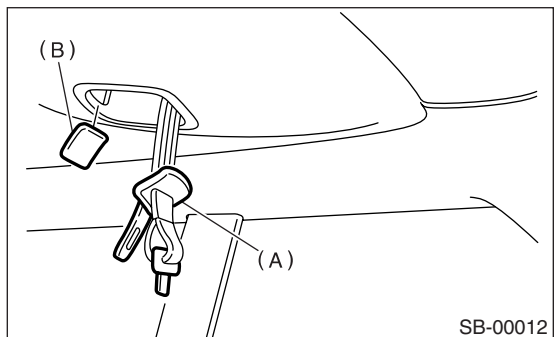


2. OUTER BELT CENTER

- 1) Remove the anchor cover. Remove the bolt and then detach the shoulder anchor from pillar.

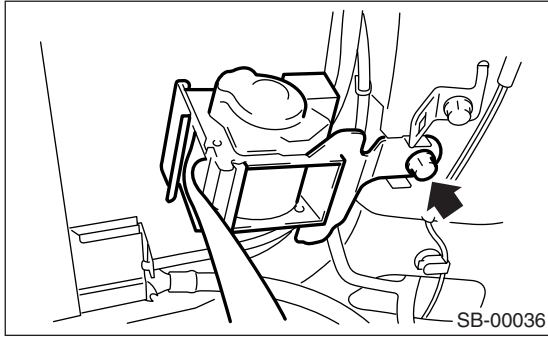


- 2) Remove the strut cap. <Ref. to EI-45, REMOVAL, Rear Quarter Trim.>
- 3) Remove the rear rail trim. <Ref. to EI-45, REMOVAL, Rear Quarter Trim.>
- 4) Remove the rear pillar upper trim. <Ref. to EI-45, REMOVAL, Rear Quarter Trim.>
- 5) Remove the rear skirt trim. <Ref. to EI-45, REMOVAL, Rear Quarter Trim.>
- 6) Remove the rear quarter lower trim. <Ref. to EI-45, REMOVAL, Rear Quarter Trim.>
- 7) Remove the cover (B) while detaching snap lock carefully. Put the outer belt center tongue (A) out to the other side of the trim through the hole.



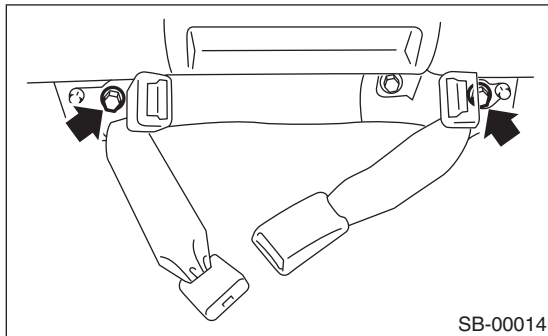
- 8) Remove the clips and hang down rear end of roof trim.

9) Disconnect the harness and connector, and then remove the outer belt center assembly.



3. INNER BELT

- 1) Remove the rear cushion.
- 2) Remove the bolt, and then detach the inner belt.



B: INSTALLATION

1. OUTER BELT SIDE

Install in the reverse order of removal.

CAUTION:

- During installation, make sure that the seat belts are not twisted.
- After installation, make sure that the seat belts can be smoothly extended and wound.

Tightening torque:

<Ref. to SB-3, REAR SEAT BELT, COMPONENT, General Description.>

2. OUTER BELT CENTER

Install in the reverse order of removal.

CAUTION:

- During installation, make sure that the seat belts are not twisted.
- After installation, make sure that the seat belts are smoothly extended and wound.

Tightening torque:

<Ref. to SB-3, REAR SEAT BELT, COMPONENT, General Description.>

3. INNER BELT

Install in the reverse order of removal.

CAUTION:

During installation, make sure that the seat belts are not twisted.

Tightening torque:

<Ref. to SB-3, REAR SEAT BELT, COMPONENT, General Description.>

C: INSPECTION

1. OUTER BELT SIDE

Check for the following, and replace with new parts if necessary.

- Seat belt is slackened, bent, or frayed. Seat belt is abnormally wound or extended.

2. OUTER BELT CENTER

Check for the following, and replace with new parts if necessary.

- Seat belt is slackened, bent, or frayed. Seat belt is abnormally wound or extended.

3. INNER BELT

Check for the following, and replace with new parts if necessary.

- Inner belt is deformed or damaged.
- Seat belt buckle is engaged improperly.

6. Disposal of Pretensioner

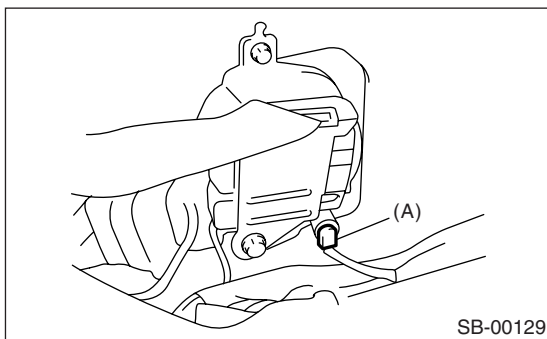
A: CAUTION

- Do not discard undeployed pretensioners, because they may cause serious personal injury when accidentally deployed.
- Deployment of the pretensioners should be done on a flat place free from any possible danger. Avoid deploying outdoors during heavy rainy or strong windy weather.
- Do not drop or damage the pretensioner.
- Because deploying the pretensioners causes a high-explosive noise, be sure to warn people in the area, and do not allow anyone within a 5 m (16 ft) radius of the disposal site.
- Some smoke will be emitted after deployment of the pretensioners. Therefore, it must be deployed in a well-ventilated area with no smoke alarms nearby.
- Wear gloves, goggles, and earplugs during this operation. Wash your hands afterwards.
- After deployment, the pretensioner is especially hot. Leave it unattended for 40 minutes or longer, and then discard it.
- Do not let water get on the deployed pretensioner.
- Wrap the deployed pretensioner in an airtight vinyl bag, and then discard it.
- If circumstances do not permit pretensioner deployment, contact a SUBARU dealer.

B: OPERATION

1. DEPLOYING OF PRETENSIONER WHILE INSTALLED IN VEHICLE

- 1) Fold backrest all the way forward, and then move front seat all the way forward.
- 2) Turn the ignition switch to OFF, disconnect the ground cable from battery, and wait for more than 20 seconds before starting work.
- 3) Remove the center pillar lower trim. <Ref. to EI-44, REMOVAL, Lower Inner Trim.>
- 4) Disconnect the connector (A) of pretensioner.

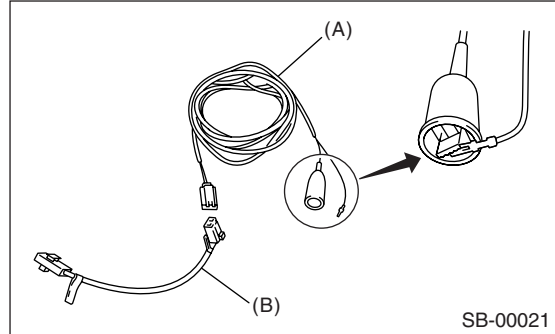


- 5) Short the terminal to alligator clip furnished as deployment tool (A).

- 6) Connect the deployment tool and deployment adapter D (B).

CAUTION:

The deployment tool terminals should be kept shorted until just before deployment of the pretensioner.

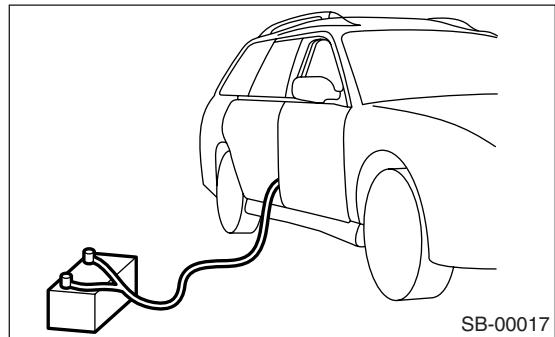


(A) Deployment tool: (Tool No. 98299PA030)

(B) Deployment adapter D: (Tool No. 98299SA010)

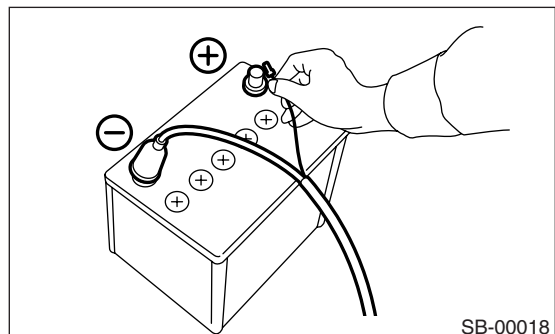
- 7) Connect the deployment adapter D connector and pretensioner yellow connector.

- 8) Extend the deployment tool to the limit, and make sure that the vehicle is empty. Close all windows, sunroof, and rear gate completely.



- 9) Move the battery at least 5 m (16 ft) from the vehicle, and secure the nearby area. Connect the deployment tool alligator clip to the battery negative (-) terminal.

- 10) Connect the other cable of deployment tool to the battery positive (+) terminal. Then deploy the pretensioner.

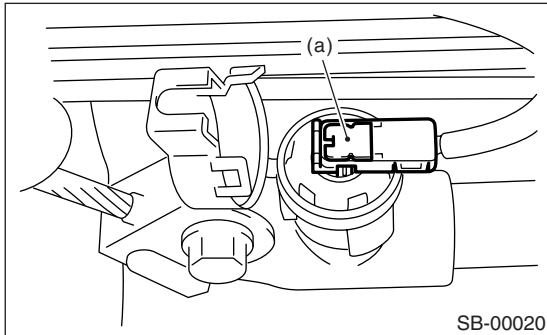


CAUTION:

- After deployment, pretensioner is especially hot. Leave it unattended for 40 minutes or longer.
- Do not let water get on the deployed pretensioner.

11) Perform the following steps 12) through 17) for the vehicle with lap pretensioner.

12) Disconnect the orange connector (a) from lap pretensioner.

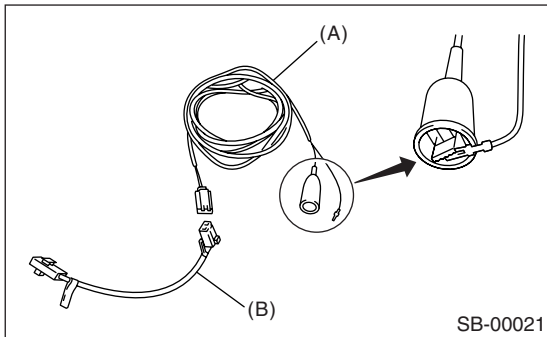


SB-00020

13) Connect the deployment tool (A) and deployment adapter F (B).

CAUTION:

The deployment tool terminals should be kept shorted until just before deployment of the pretensioner.

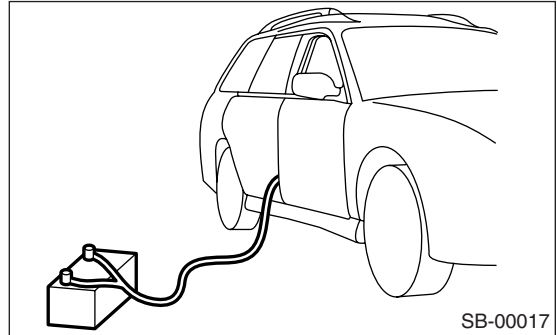


SB-00021

- (A) Deployment tool: (Tool No. 98299PA030)
- (B) Deployment adapter F: (Tool No. 98299SA050)

14) Connect the deployment adapter F connector and lap seat belt pretensioner orange connector.

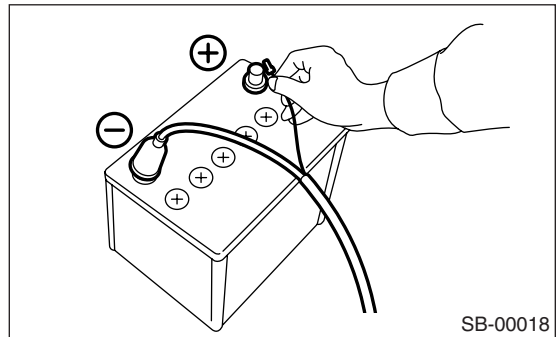
15) Extended the deployment tool to the limit, and make sure that the vehicle is empty. Close all windows, sunroof and rear gate completely.



SB-00017

16) Move the battery at least 5 m (16 ft) from the vehicle, and secure the nearby area. Connect the deployment tool alligator clip to the battery negative (-) terminal.

17) Connect the other cable of deployment tool to the battery positive (+) terminal. Then deploy the pretensioner.



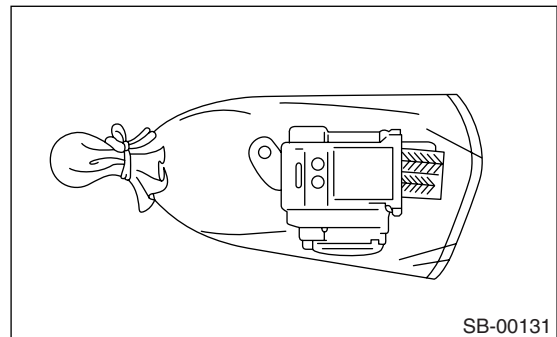
SB-00018

CAUTION:

- After deployment, pretensioner is especially hot. Leave it unattended for 40 minutes or longer.
- Do not let water get on the deployed pretensioner.

18) Remove the front outer belt. <Ref. to SB-10, REMOVAL, Front Seat Belt.>

19) Wrap the deployed pretensioner in an airtight vinyl bag, and discard it.



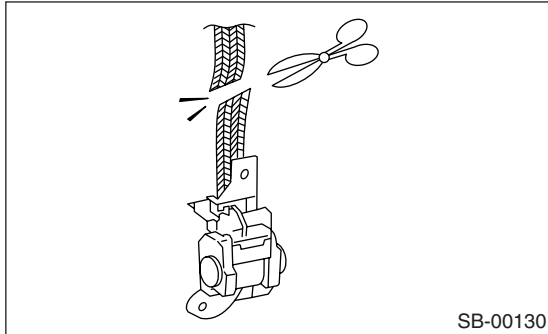
SB-00131

Disposal of Pretensioner

SEAT BELT SYSTEM

2. DEPLOYING OF RETRACTOR PRETENSIONER AFTER REMOVAL FROM VEHICLE

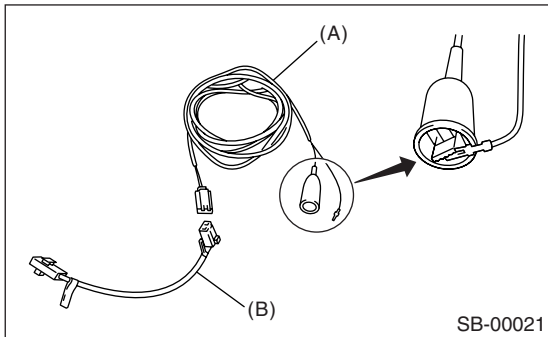
- 1) Fold backrest all the way forward, then move front seat all the way forward.
- 2) Turn the ignition switch to OFF, disconnect the ground cable from battery, and wait for more than 20 seconds before starting work.
- 3) Remove the front outer belt. <Ref. to SB-10, REMOVAL, Front Seat Belt.>
- 4) Cut off the seat belt as close to retractor as possible.



- 5) Short the terminal to alligator clip furnished as a deployment tool.
- 6) Connect the deployment tool (A) and deployment adapter D (B).

CAUTION:

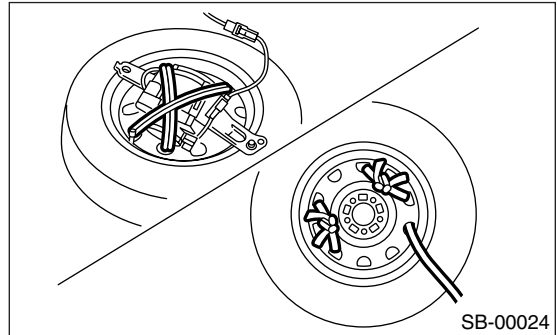
The deployment tool terminals should be kept shorted until just before deployment of the pretensioner.



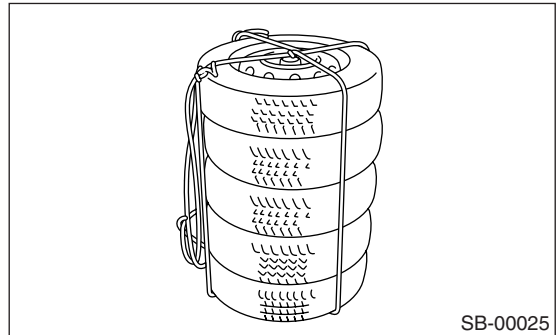
- (A) Deployment tool: (Tool No. 98299PA030)
- (B) Deployment adapter D: (Tool No. 98299SA010)

- 7) Connect the deployment adapter D connector and pretensioner yellow connector.

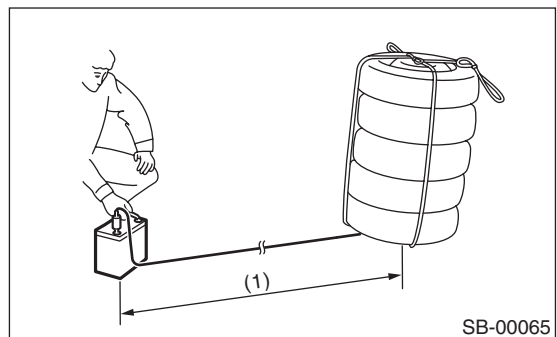
- 8) Install the pretensioner on a wheel with tire. Then, bundle three wire automotive harness [each with a sectional area of 1.25 mm² (0.00194 sq in) or more], and bind them twofold around the pretensioner bracket and wheel.



- 9) Put three tires without a wheel on the tire installed with pretensioner. Put on an additional tire with a wheel on top, and then fasten them tight with a rope.

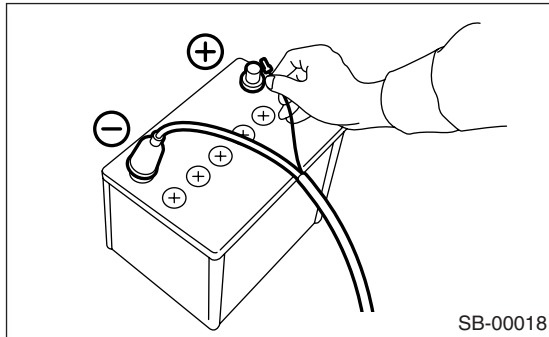


- 10) Move the battery at least 5 m (16 ft) from the vehicle, and secure the nearby area. Connect the deployment tool alligator clip to the battery negative (-) terminal.



- (1) 5 m (16 ft) or more

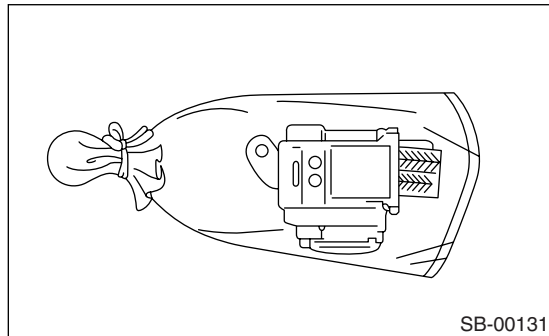
11) Connect the other cable of deployment tool to the battery positive (+) terminal. Then deploy the pretensioner.



CAUTION:

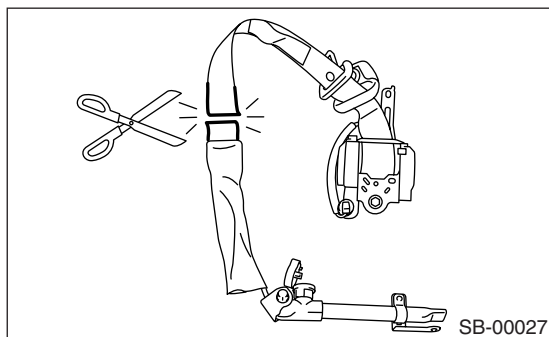
- After deployment, pretensioner is especially hot. Leave it unattended for 40 minutes or longer.
- Do not let water get on the deployed pretensioner.

12) Wrap the deployed pretensioner in an airtight vinyl bag, and discard it.



3. DEPLOYING LAP PRETENSIONER AFTER REMOVAL FROM VEHICLE

- 1) Fold backrest all the way forward, then move front seat all the way forward.
- 2) Turn the ignition switch to OFF, disconnect the ground cable from battery, and wait for more than 20 seconds before starting work.
- 3) Remove the front outer belt. <Ref. to SB-10, REMOVAL, Front Seat Belt.>
- 4) Cut off the seat belt as close to lap seat belt pretensioner as possible.

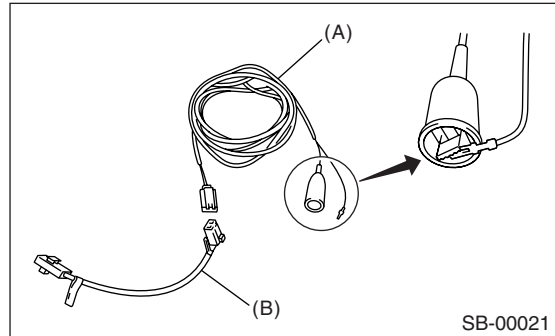


5) Short the terminal to alligator clip furnished as a deployment tool (A).

6) Connect the deployment tool and deployment adapter F (B).

CAUTION:

The deployment tool terminals should be kept shorted until just before deployment of the pretensioner.

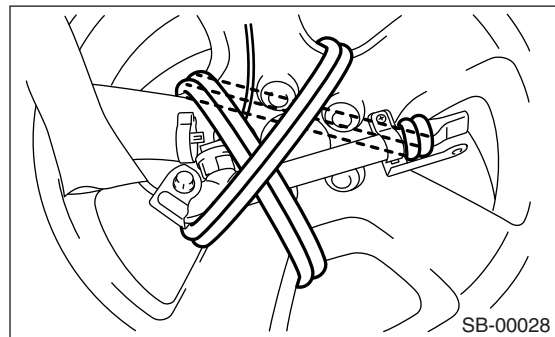


(A) Deployment tool: (Tool No. 98299PA030)

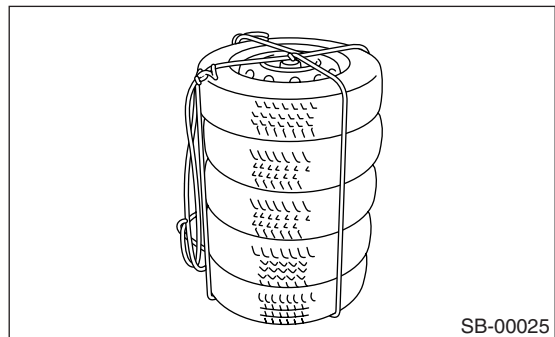
(B) Deployment adapter F: (Tool No. 98299SA050)

7) Connect the deployment adapter F connector to pretensioner yellow connector.

8) Install the pretensioner on a wheel with tire. Then, bundle three wire automotive harness [each with a sectional area of 1.25 mm² (0.00194 sq in) or more], and bind them twofold around the pretensioner bracket and wheel.



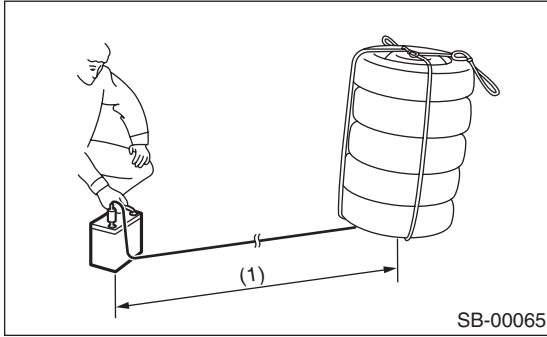
9) Put three tires without a wheel on the tire installed with pretensioner. Put on an additional tire with a wheel on top, and then fasten them tight with a rope.



Disposal of Pretensioner

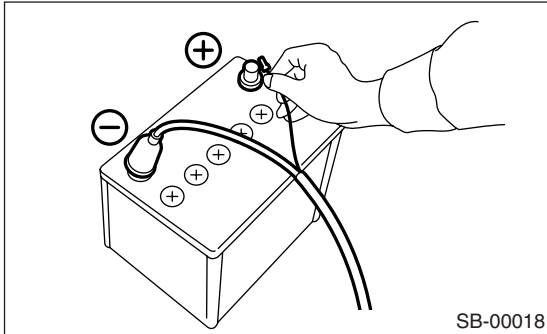
SEAT BELT SYSTEM

10) Move the battery at least 5 m (16 ft) from the vehicle, and secure the nearby area. Connect the deployment tool alligator clip to the battery negative (-) terminal.



(1) 5 m (16 ft) or more

11) Connect the other cable of deployment tool to the battery positive (+) terminal. Then deploy the pretensioner.



CAUTION:

- After deployment, pretensioner is especially hot. Leave it unattended for 40 minutes or longer.
- Do not let water get on the deployed pretensioner.

12) Wrap the deployed pretensioner in an airtight vinyl bag, and discard it.

