

BODY SECTION

This service manual has been prepared to provide SUBARU service personnel with the necessary information and data for the correct maintenance and repair of SUBARU vehicles.

This manual includes the procedures for maintenance, disassembling, reassembling, inspection and adjustment of components and diagnostics for guidance of experienced mechanics.

Please peruse and utilize this manual fully to ensure complete repair work for satisfying our customers by keeping their vehicle in optimum condition. When replacement of parts during repair work is needed, be sure to use SUBARU genuine parts.

All information, illustration and specifications contained in this manual are based on the latest product information available at the time of publication approval.

**HVAC SYSTEM
(HEATER, VENTILATOR AND A/C)** AC

**HVAC SYSTEM (AUTO A/C)
(DIAGNOSTIC)** AC

AIRBAG SYSTEM AB

AIRBAG SYSTEM (DIAGNOSTIC) AB

SEAT BELT SYSTEM SB

LIGHTING SYSTEM LI

WIPER AND WASHER SYSTEM WW

ENTERTAINMENT ET

COMMUNICATION SYSTEM COM

GLASS/WINDOW/MIRROR GW

BODY STRUCTURE BS

INSTRUMENTATION/DRIVER INFO IDI

SEAT SE

SECURITY AND LOCK SL

**SUNROOF/T-TOP/CONVERTIBLE TOP
(SUNROOF)** SR

EXTERIOR/INTERIOR TRIM EI

EXTERIOR BODY PANEL EB

BODY SECTION

CRUISE CONTROL SYSTEM CC

CRUISE CONTROL SYSTEM (DIAGNOSTIC) CC(H4SO)

CRUISE CONTROL SYSTEM (DIAGNOSTIC) CC(H4DOTC)

CRUISE CONTROL SYSTEM (DIAGNOSTIC) CC(H4DOTC 2.5)

IMMOBILIZER (DIAGNOSTIC) IM

EXTERIOR/INTERIOR TRIM



	Page
1. General Description	2
2. Front Grille	18
3. Hood Grille	19
4. Front Under Cover	22
5. Front Bumper	23
6. Rear Bumper	30
7. Mud Guard	31
8. Cowl Panel	32
9. Side Sill Spoiler	33
10. Side Garnish	34
11. Front Door Trim	35
12. Rear Door Trim	36
13. Glove Box	37
14. Roof Rail	38
15. Console Box	39
16. Instrument Panel Assembly	40
17. Upper Inner Trim	43
18. Lower Inner Trim	44
19. Rear Quarter Trim	45
20. Sun Visor	46
21. Roof Trim	47
22. Rear Gate Trim	48
23. Floor Mat	49
24. Luggage Floor Mat	50
25. Instrument Panel Center Compartment	51
26. Heat Shield Cover	52

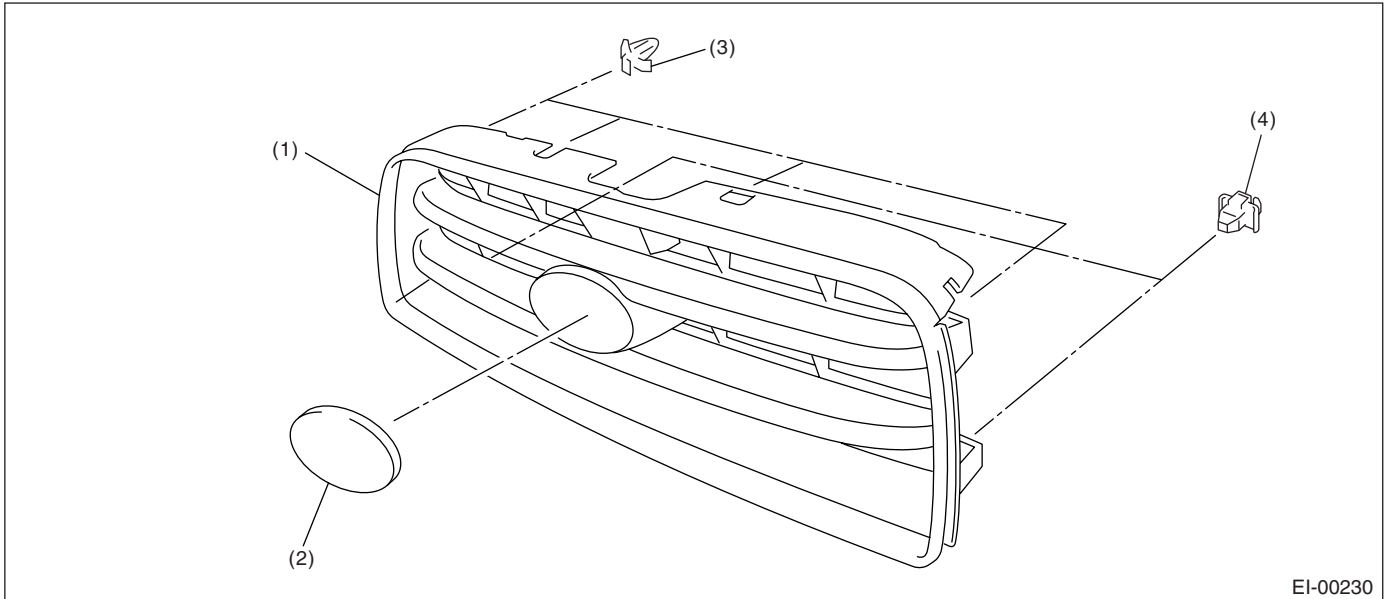
General Description

EXTERIOR/INTERIOR TRIM

1. General Description

A: COMPONENT

1. FRONT GRILLE



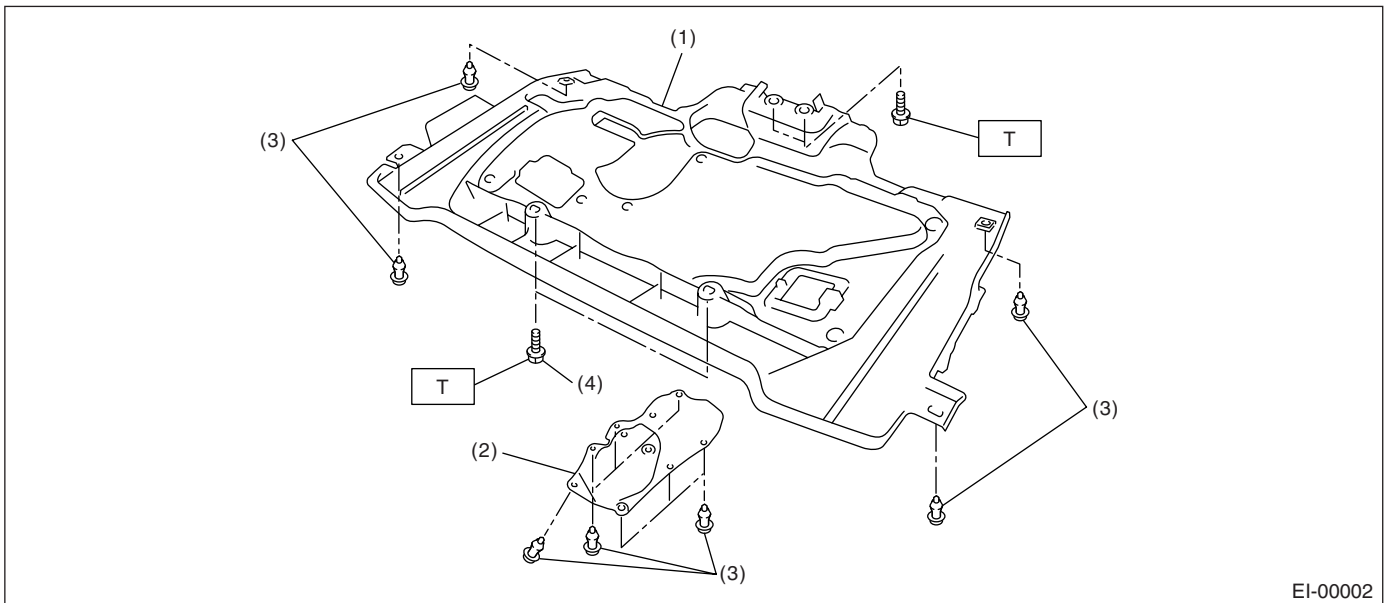
EI-00230

- (1) Front grille
- (2) Front grille emblem

(3) Clip

(4) Hook

2. UNDER COVER



EI-00002

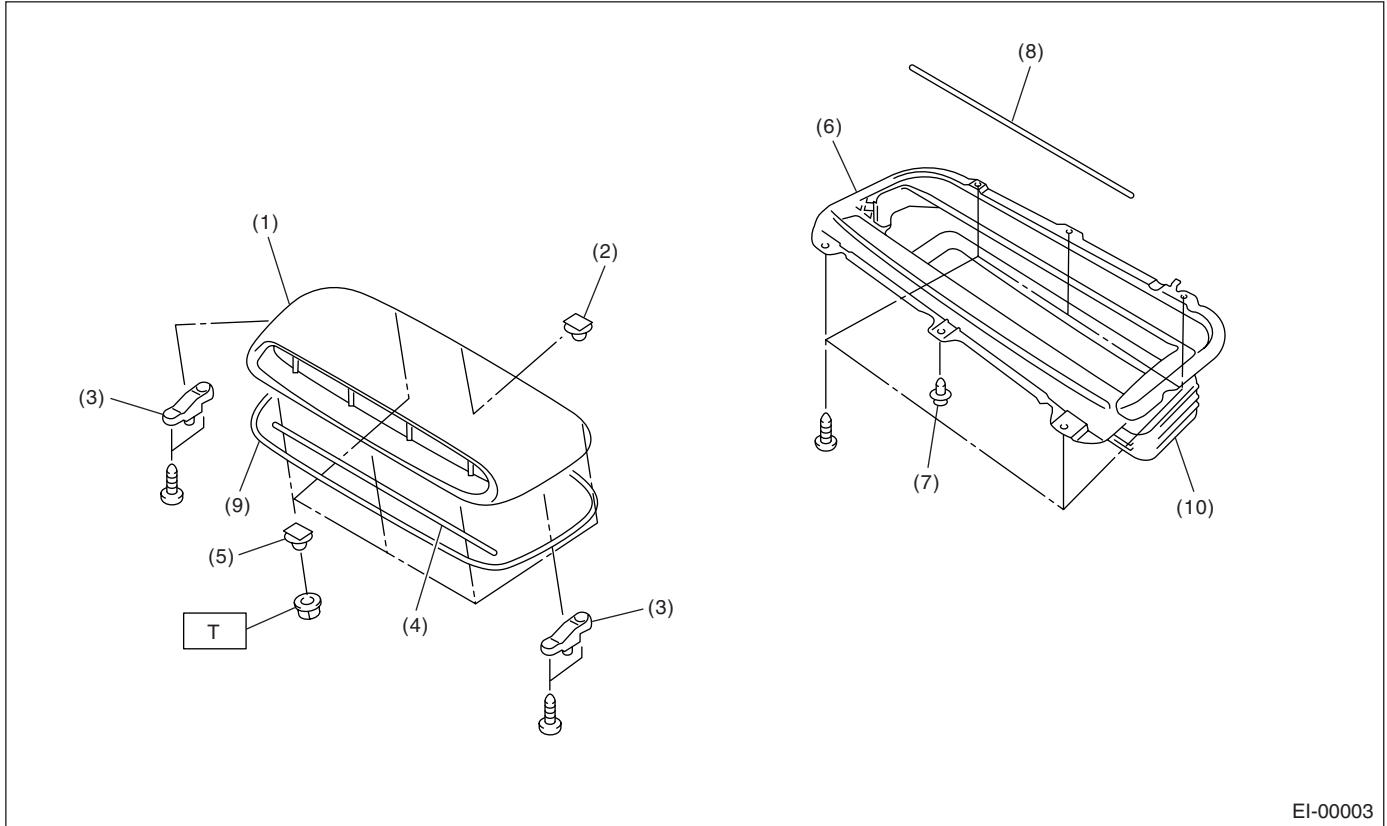
- (1) Under cover
- (2) Service hole cover

(3) Clip

(4) Bolt

Tightening torque: N·m (kgf·m, ft·lb)
T: 18 (1.84, 13.3)

3. HOOD GRILLE



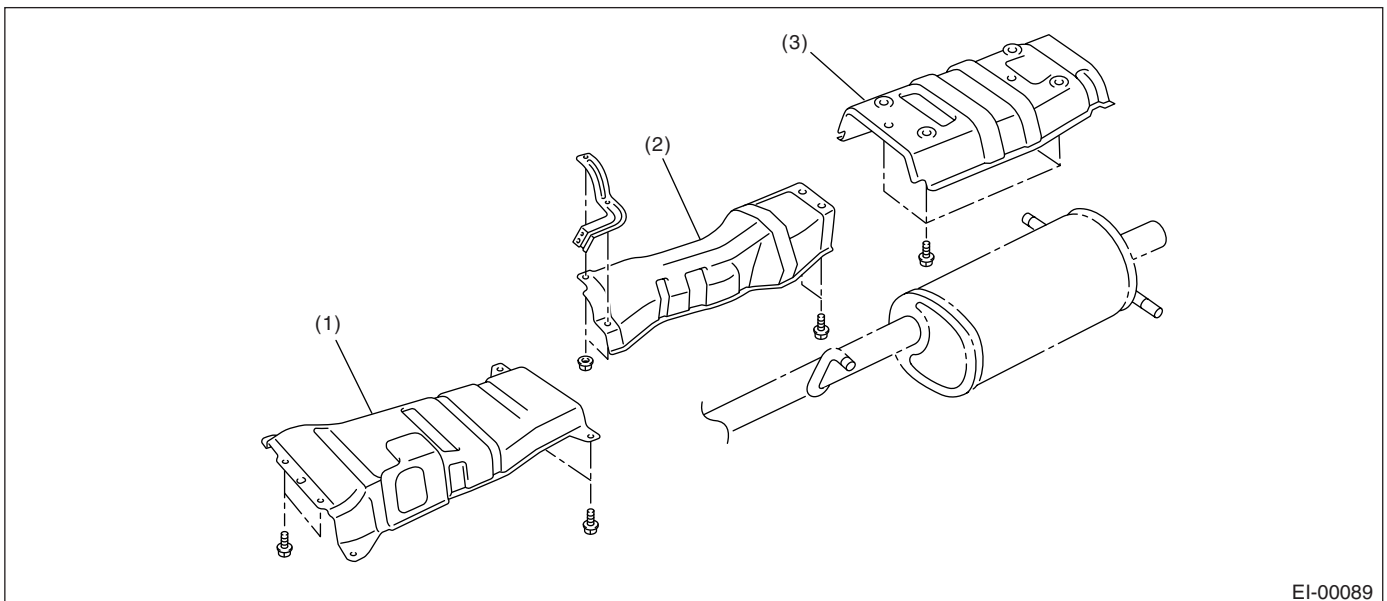
EI-00003

- | | |
|-----------------|-------------------|
| (1) Hood grille | (6) Grille duct |
| (2) Black clip | (7) Clip |
| (3) Black clip | (8) Packing C |
| (4) Packing B | (9) Packing A |
| (5) Bolt | (10) Duct bellows |

Tightening torque: N·m (kgf·m, ft·lb)

T: 4.4 (0.45, 3.25)

4. HEAT SHIELD COVER



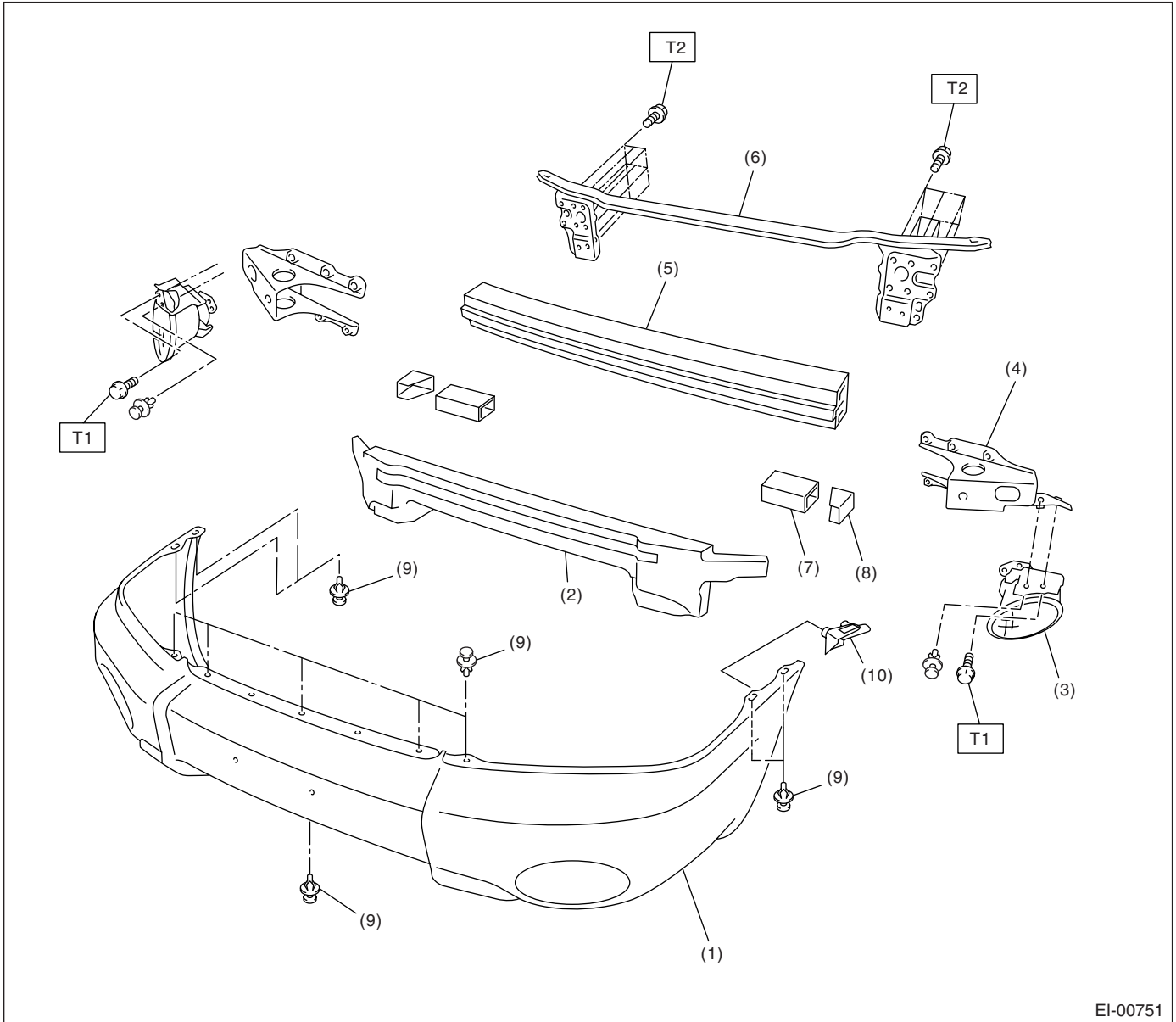
EI-00089

- | | | |
|-----------------------------|------------------------------|----------------------------|
| (1) Front heat shield cover | (2) Center heat shield cover | (3) Rear heat shield cover |
|-----------------------------|------------------------------|----------------------------|

General Description

EXTERIOR/INTERIOR TRIM

5. FRONT BUMPER



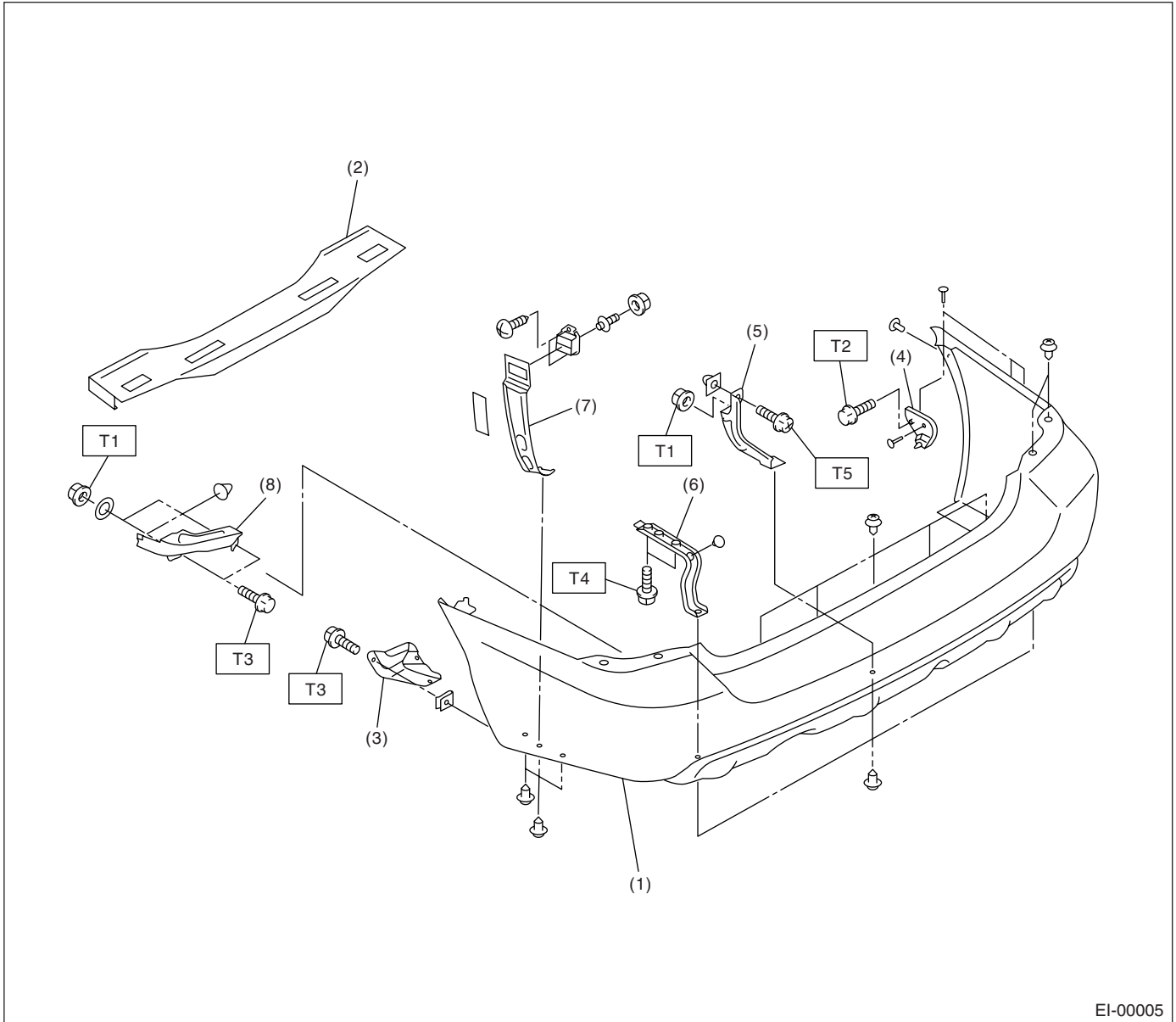
- | | |
|------------------|------------------------------|
| (1) Bumper face | (6) Upper beam |
| (2) E/A form | (7) Lower beam |
| (3) Fog light | (8) Lower beam reinforcement |
| (4) Side bracket | (9) Clip |
| (5) Main beam | (10) Slider side front |

Tightening torque: N·m (kgf·m, ft·lb)

T1: 32 (3.3, 24)

T2: 69 (7.0, 51)

6. REAR BUMPER



EI-00005

- | | |
|------------------------------------|-----------------------------------|
| (1) Bumper face | (7) Rear bumper side bracket ASSY |
| (2) Rear bumper upper beam | (8) Rear bumper upper beam side |
| (3) Rear arch cover | |
| (4) Rear bumper front side bracket | |
| (5) Center bracket | |
| (6) Stay COMPL | |

Tightening torque: N·m (kgf·m, ft·lb)

T1: 32 (3.3, 24)

T2: 7.4 (0.75, 5.46)

T3: 4.4 (0.45, 3.26)

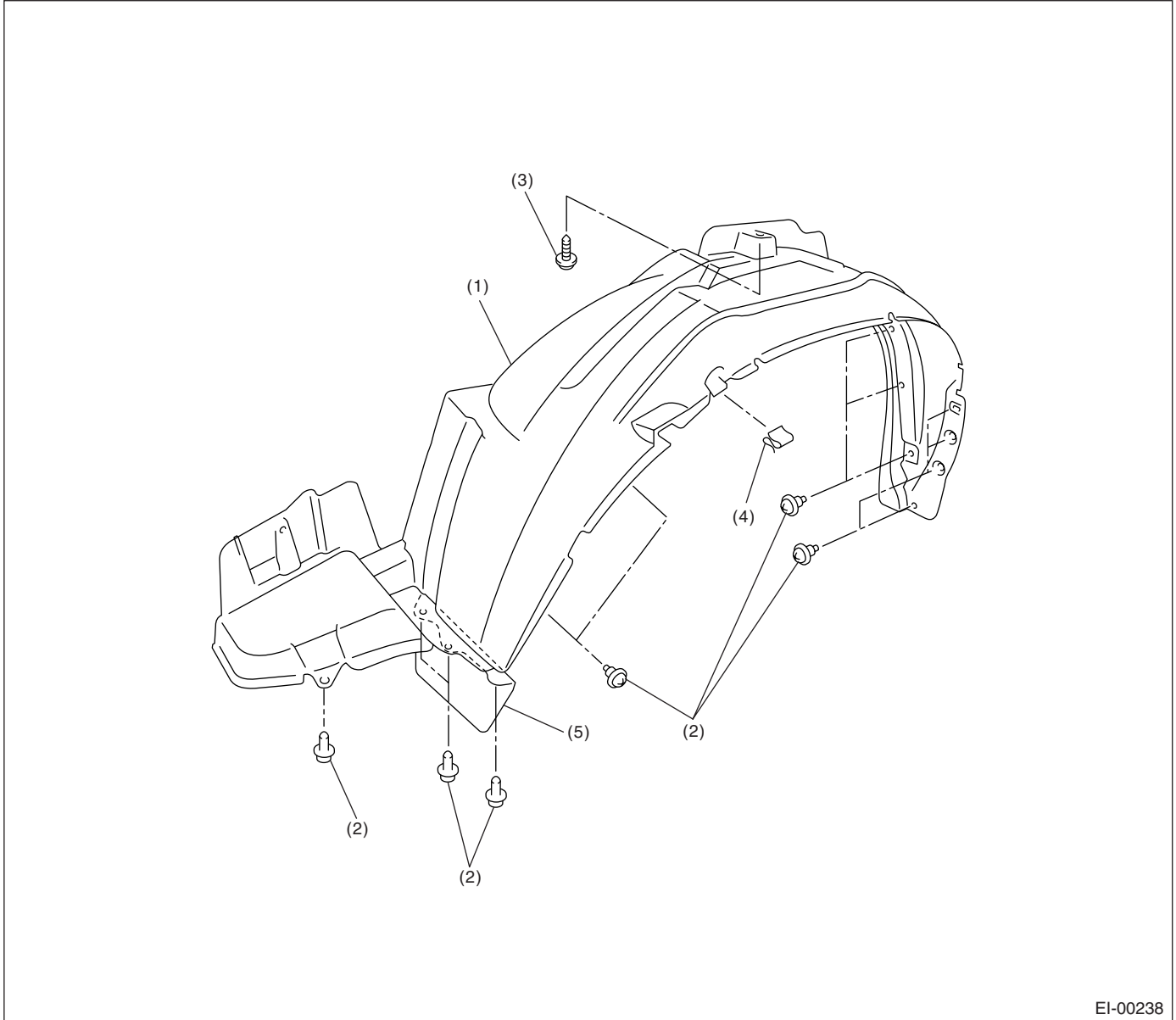
T4: 93 (9.5, 68.7)

T5: 1.8 (0.18, 1.3)

General Description

EXTERIOR/INTERIOR TRIM

7. MUD GUARD



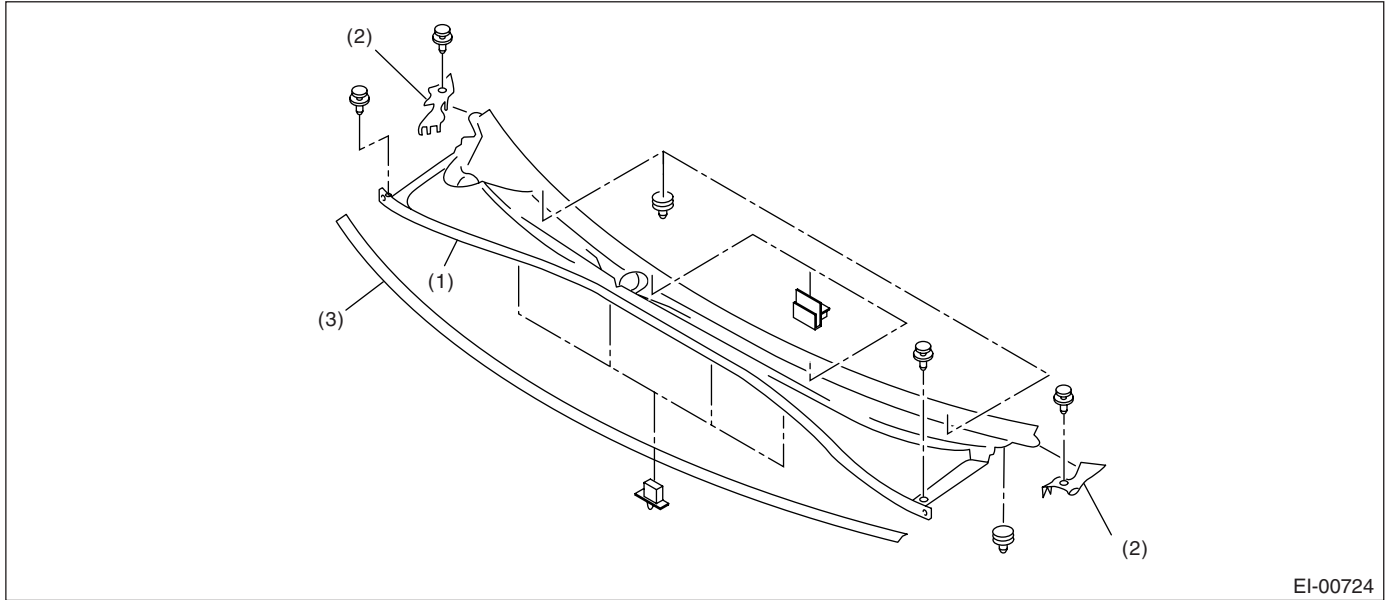
EI-00238

(1) Mud guard
(2) Clip

(3) Screw
(4) Clip (S-shape)

(5) Air flap

8. COWL PANEL



(1) Cowl panel

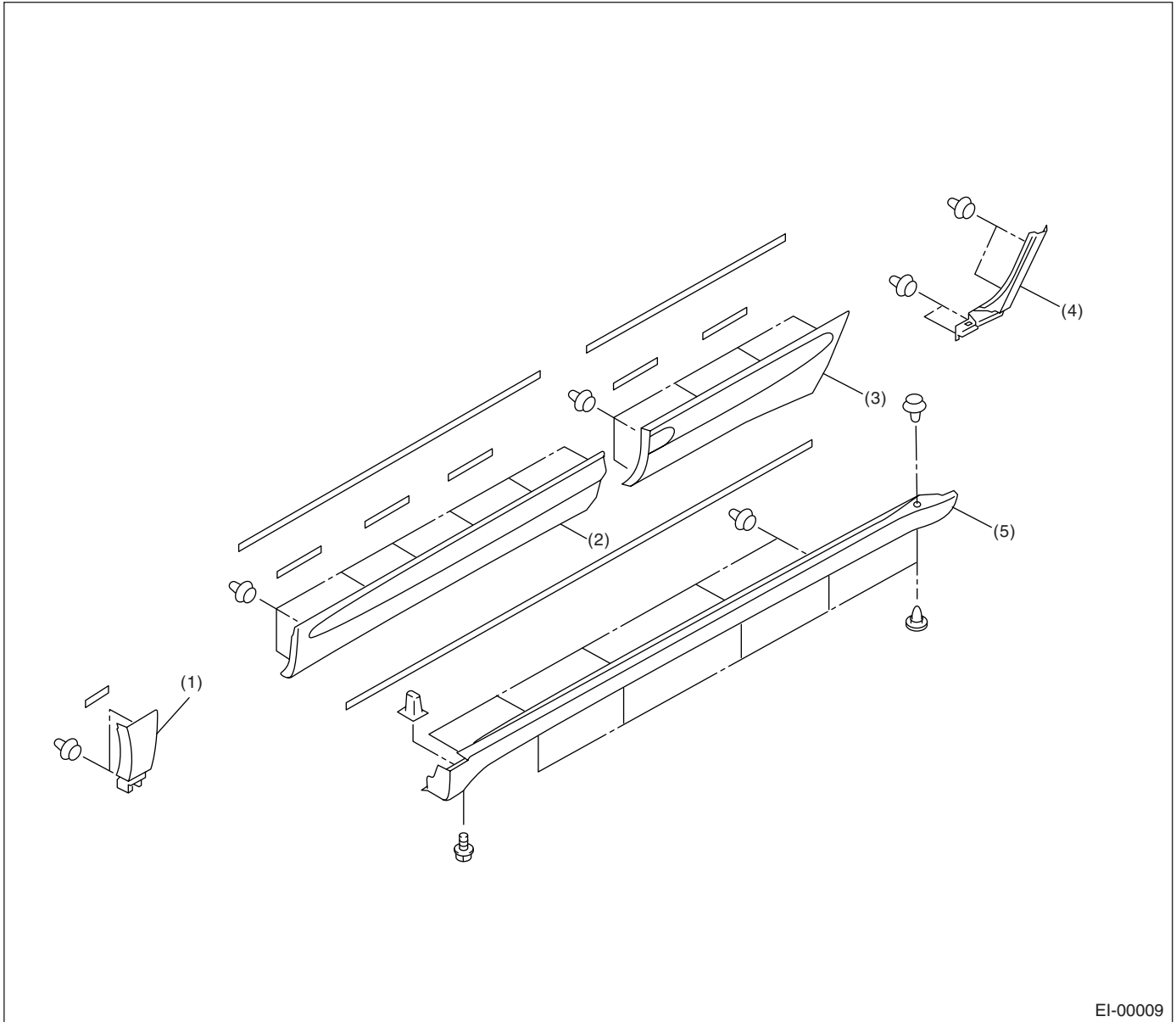
(2) Cowl side panel

(3) Seal

General Description

EXTERIOR/INTERIOR TRIM

9. SIDE SILL SPOILER



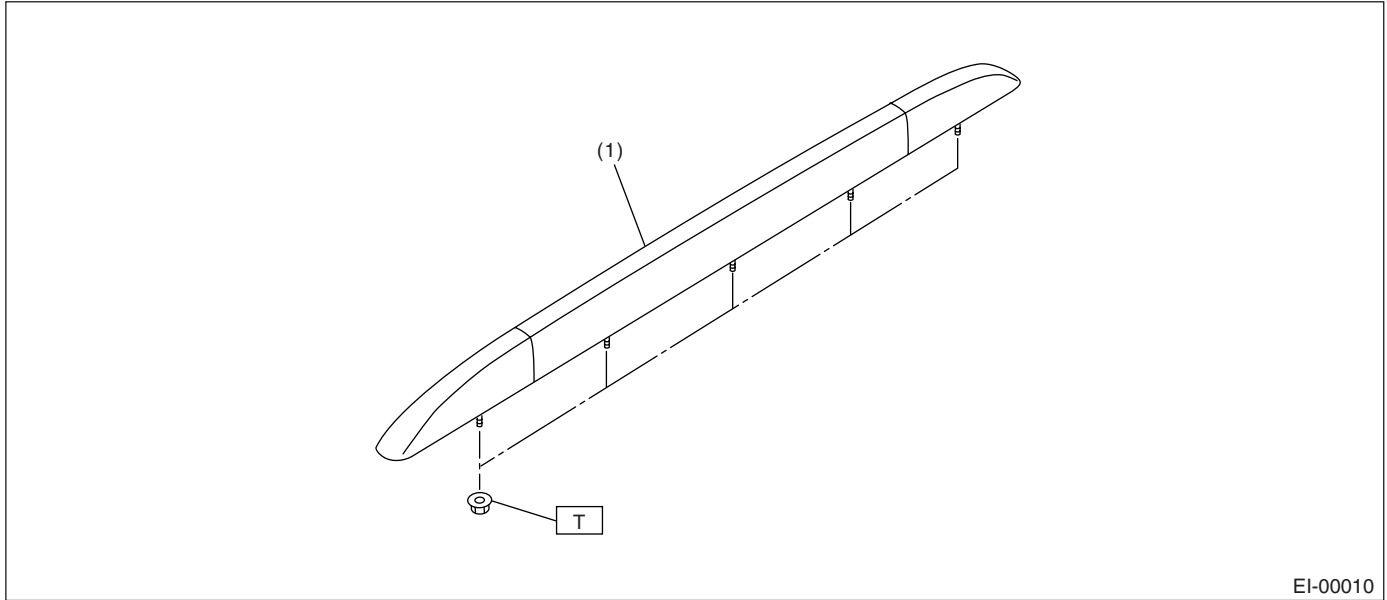
EI-00009

(1) Side garnish (Front fender)
(2) Side garnish (Front door)

(3) Side garnish (Rear door)
(4) Side garnish (Rear quarter)

(5) Side garnish (Side sill)

10. ROOF RAIL

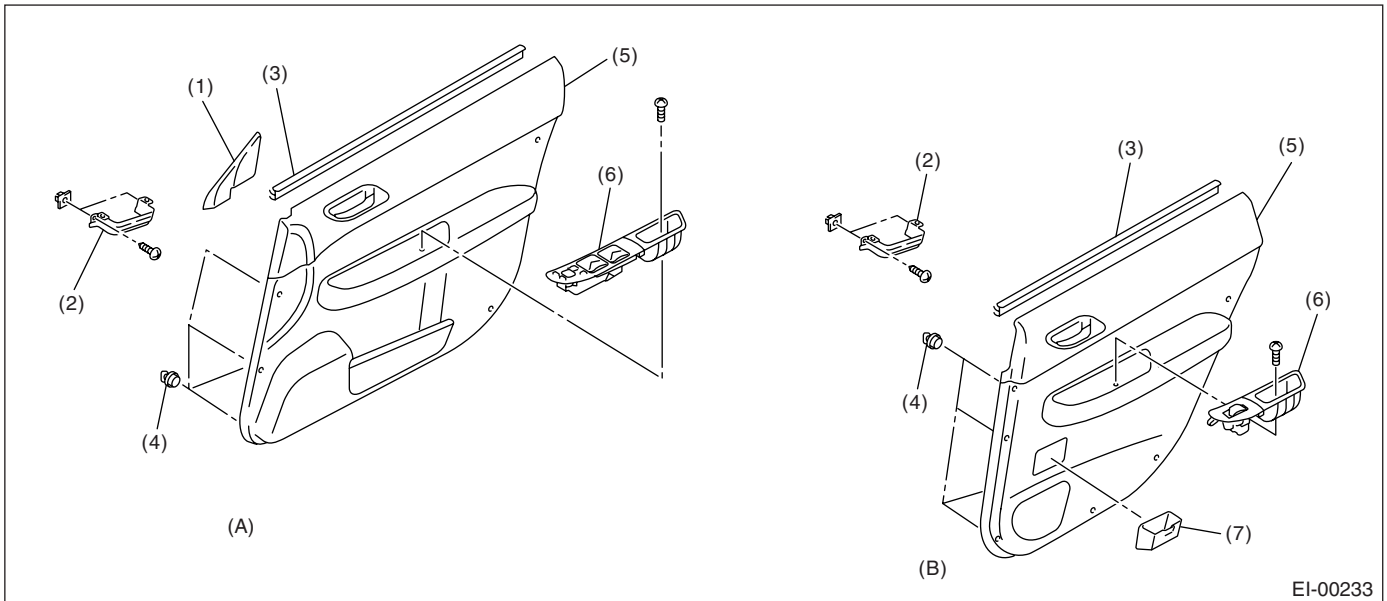


EI-00010

(1) Roof rail

Tightening torque: N·m (kgf·m, ft·lb)
T: 7.5 (0.76, 5.53)

11. DOOR TRIM



EI-00233

(A) Front door trim

(B) Rear door trim

- (1) Gusset cover
- (2) Bracket
- (3) Weather strip upper

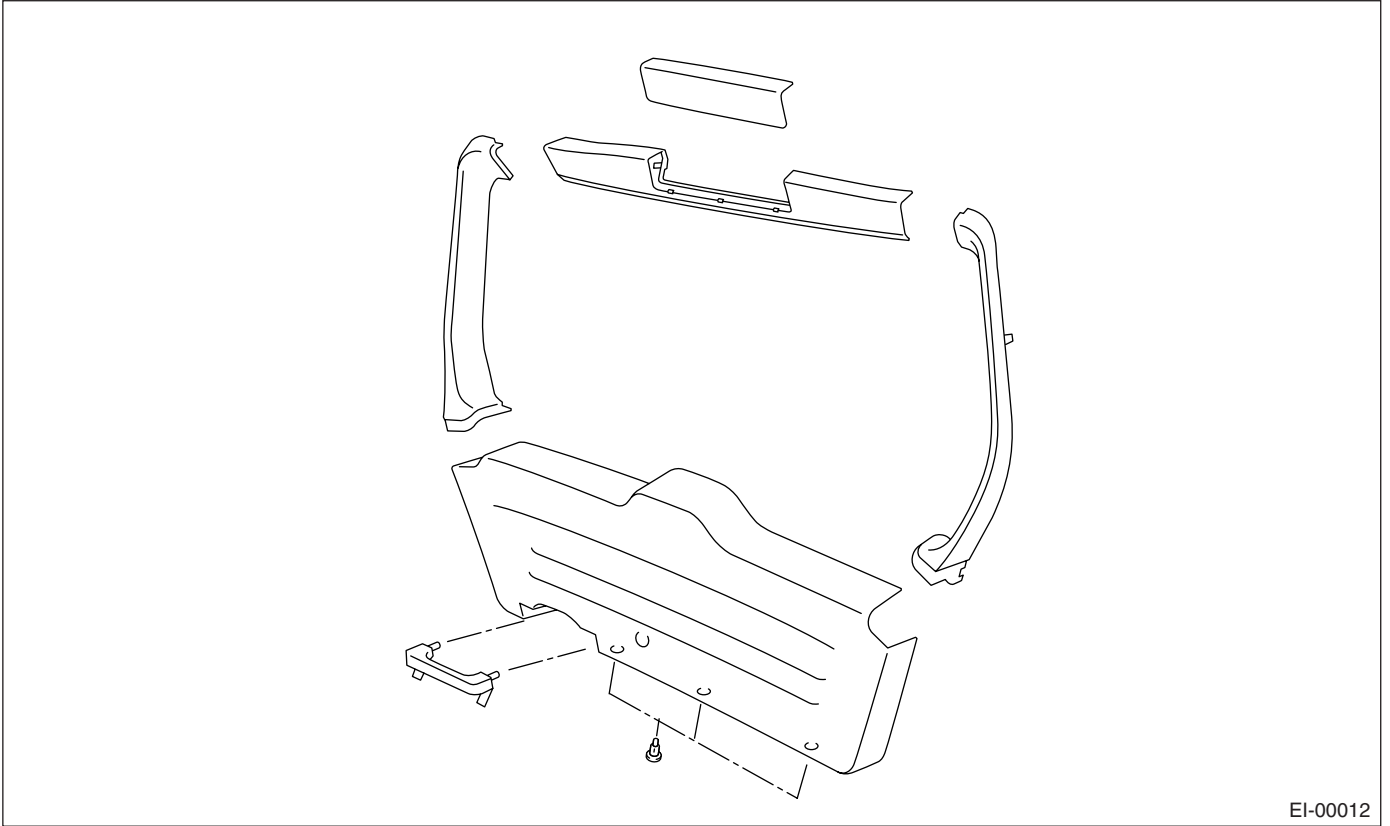
- (4) Clip
- (5) Trim panel
- (6) Power window switch cover

(7) Ash tray

General Description

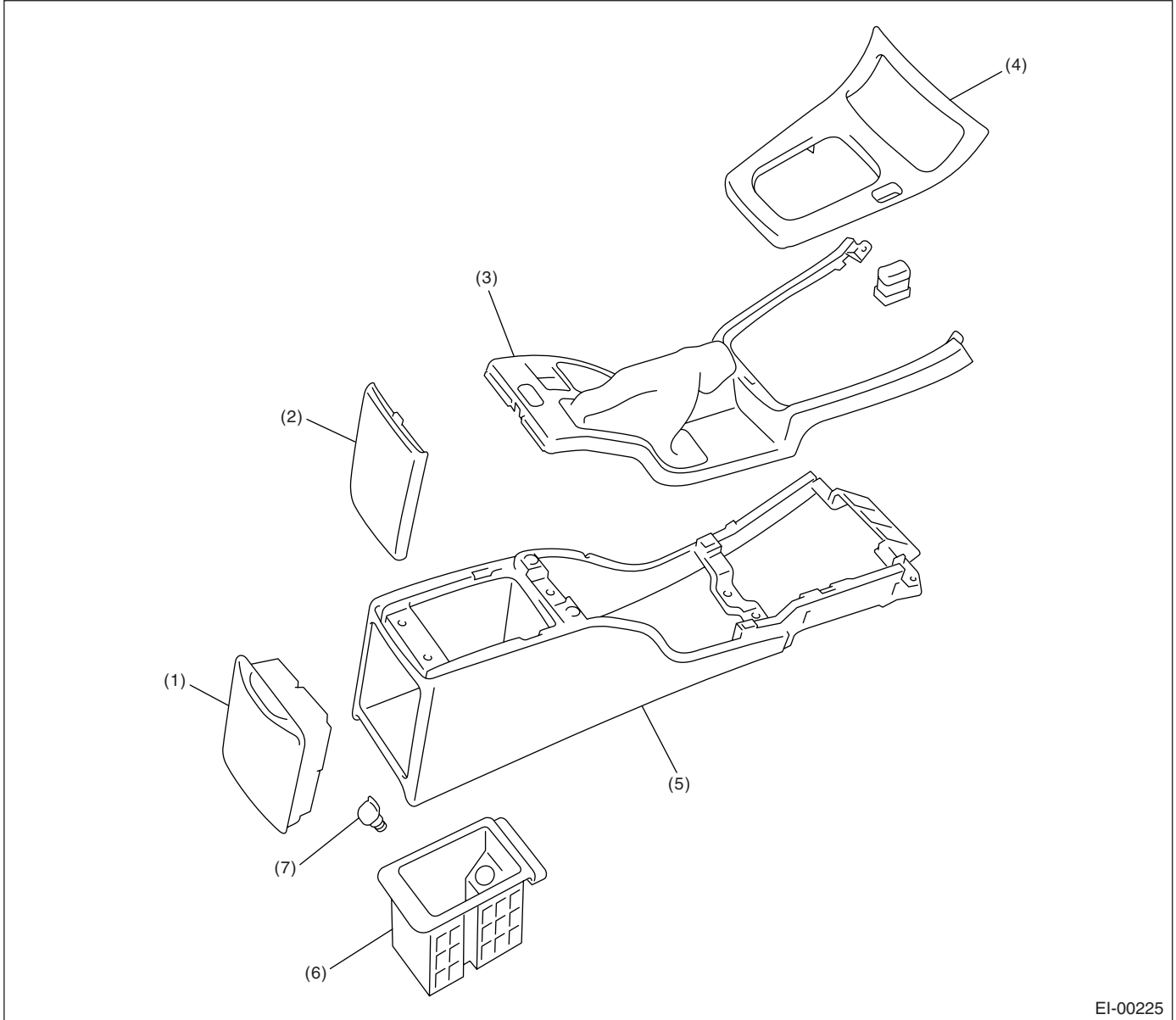
EXTERIOR/INTERIOR TRIM

12.REAR GATE TRIM



EI-00012

13. CONSOLE BOX



EI-00225

- (1) Rear cup holder
- (2) Console lid
- (3) Console cover

- (4) Console front cover
- (5) Console box
- (6) Console pocket

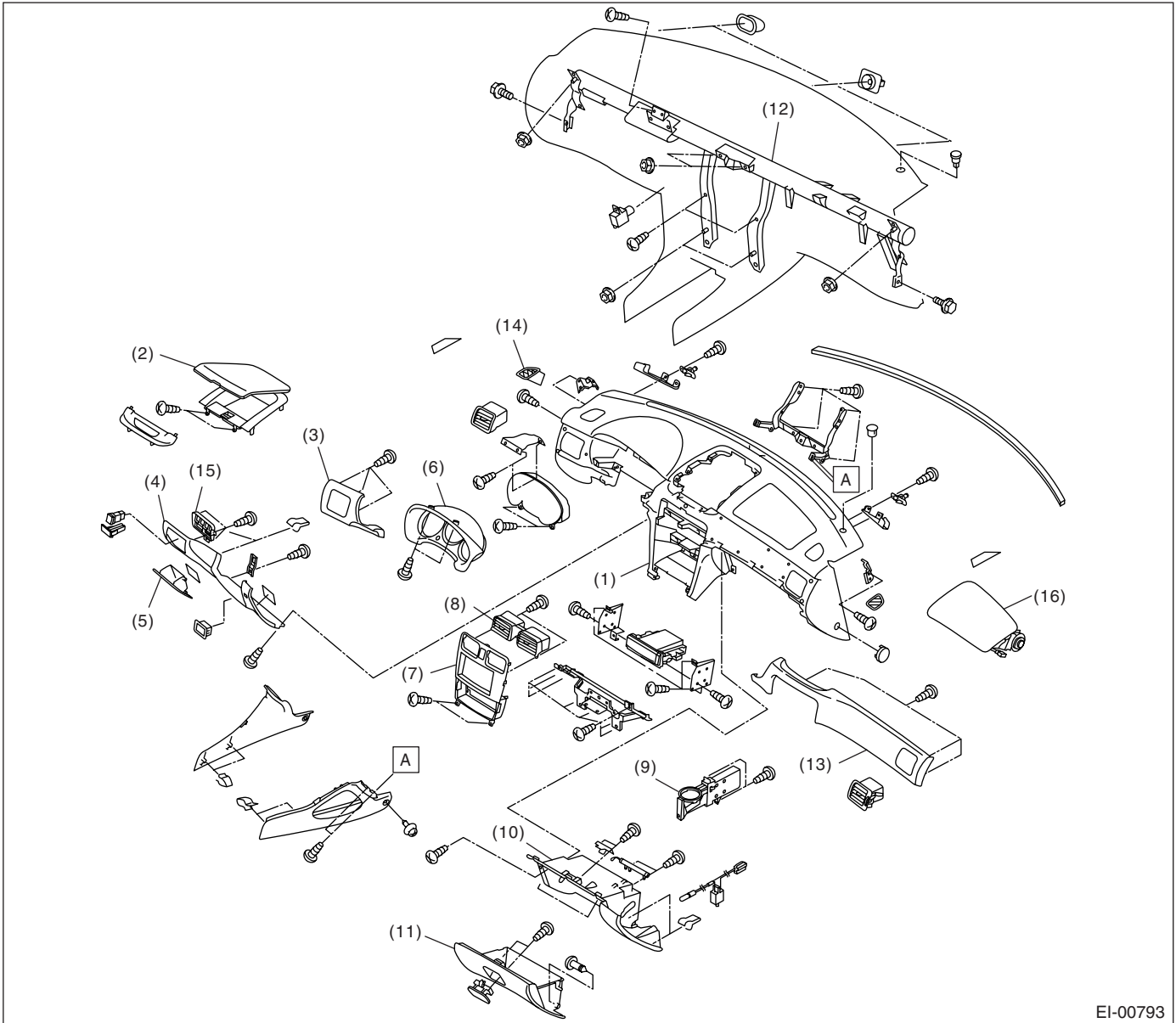
- (7) Accessory socket

General Description

EXTERIOR/INTERIOR TRIM

14. INSTRUMENT PANEL

- LHD MODEL



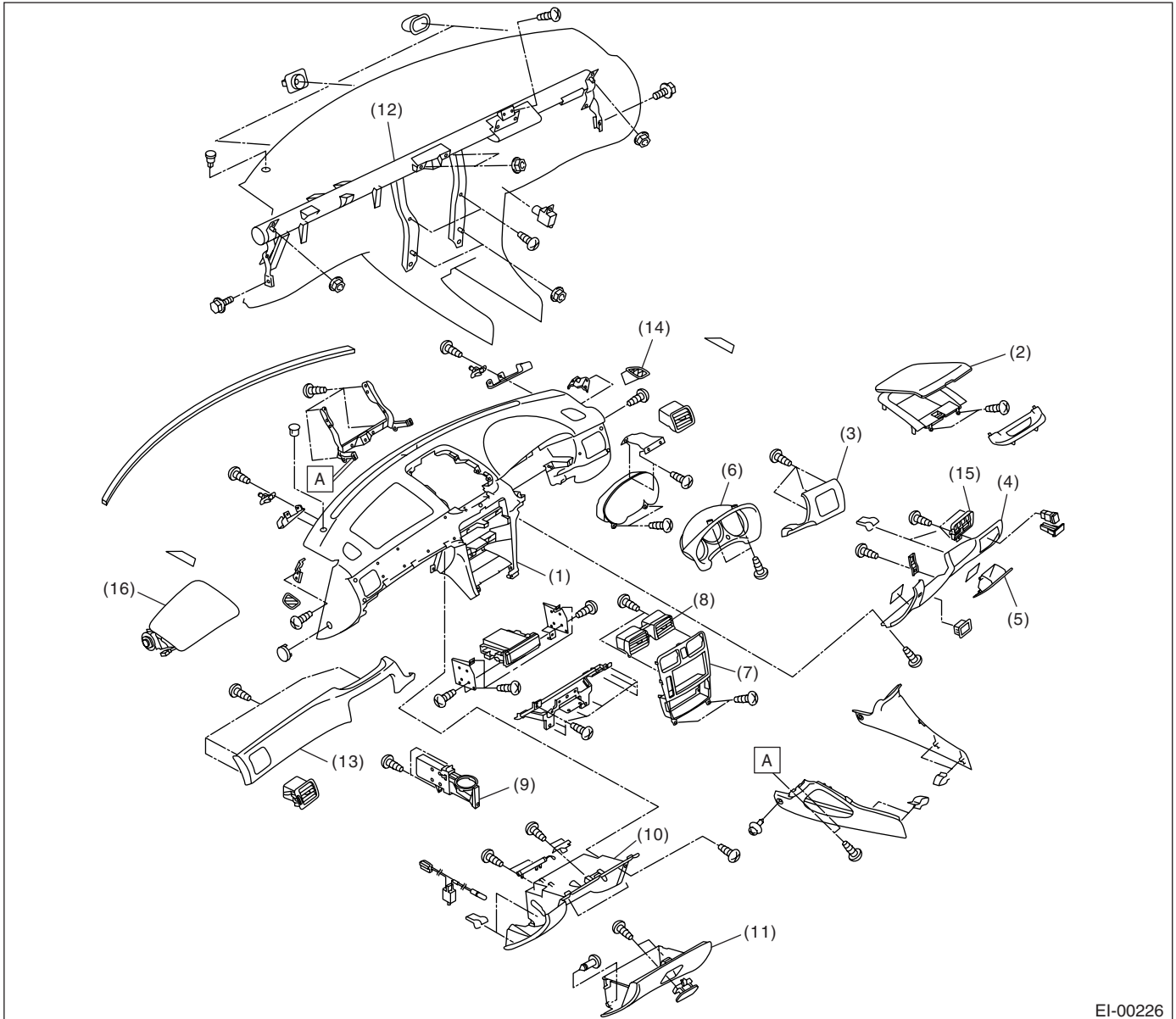
EI-00793

- | | | |
|------------------------|----------------------|----------------------------------|
| (1) Pad & frame | (7) Center panel | (13) Grille cover |
| (2) Center compartment | (8) Air vent grille | (14) Air vent grille (Defroster) |
| (3) Grille cover | (9) Cup holder | (15) Switch panel |
| (4) Lower cover | (10) Glove box panel | (16) Passenger's airbag module |
| (5) Coin box | (11) Glove box lid | |
| (6) Meter visor | (12) Steering beam | |

General Description

EXTERIOR/INTERIOR TRIM

- RHD MODEL



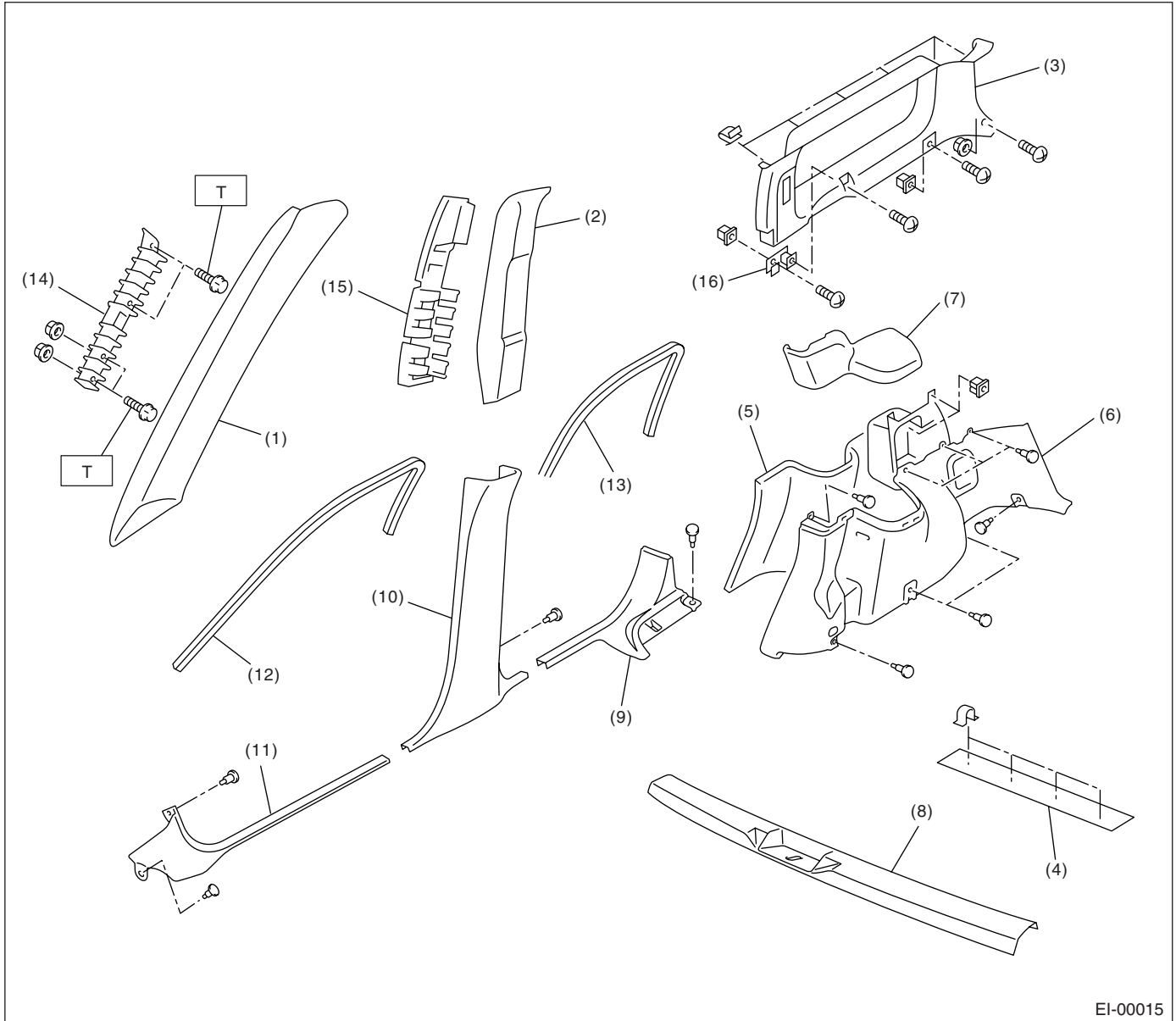
EI-00226

- | | | |
|------------------------|----------------------|----------------------------------|
| (1) Pad & frame | (7) Center panel | (13) Grille cover |
| (2) Center compartment | (8) Air vent grille | (14) Air vent grille (Defroster) |
| (3) Grille cover | (9) Cup holder | (15) Switch panel |
| (4) Lower cover | (10) Glove box panel | (16) Passenger's airbag module |
| (5) Coin box | (11) Glove box lid | |
| (6) Meter cover | (12) Steering beam | |

General Description

EXTERIOR/INTERIOR TRIM

15.INNER TRIM



- (1) Front pillar upper trim
- (2) Center pillar upper trim
- (3) Rear pillar upper trim
- (4) Rear rail trim
- (5) Insulator
- (6) Rear quarter lower trim
- (7) Strut cap

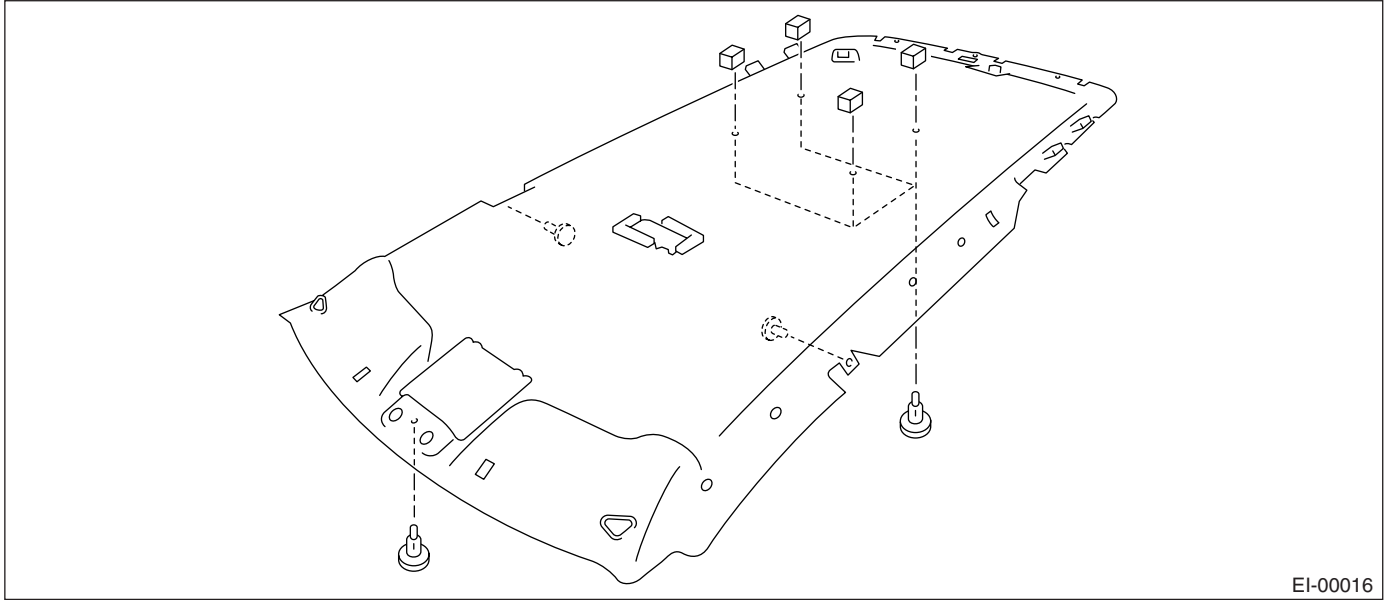
- (8) Rear skirt trim
- (9) Side sill rear cover
- (10) Center pillar lower trim
- (11) Side sill front cover
- (12) Front garnish
- (13) Rear garnish
- (14) Front pillar inner rib

- (15) Center pillar inner rib
- (16) Bracket

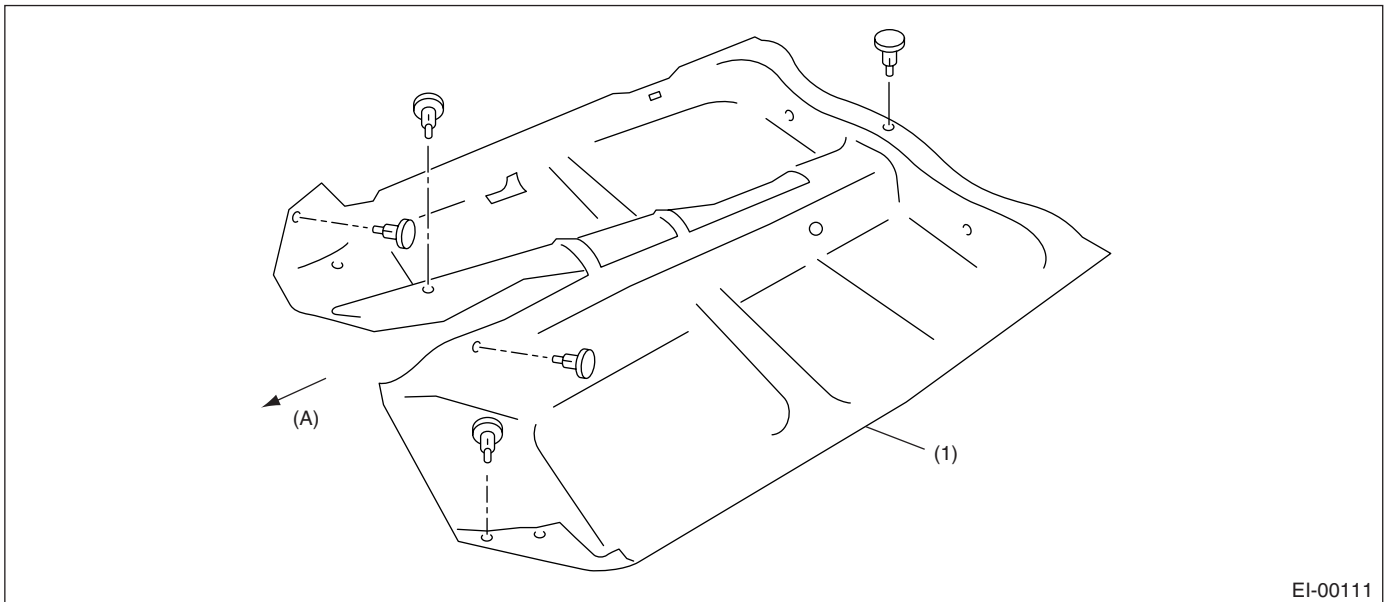
Tightening torque: N·m (kgf·m, ft·lb)

T: 2 (0.20, 1.46)

16. ROOF TRIM



17. FLOOR MAT



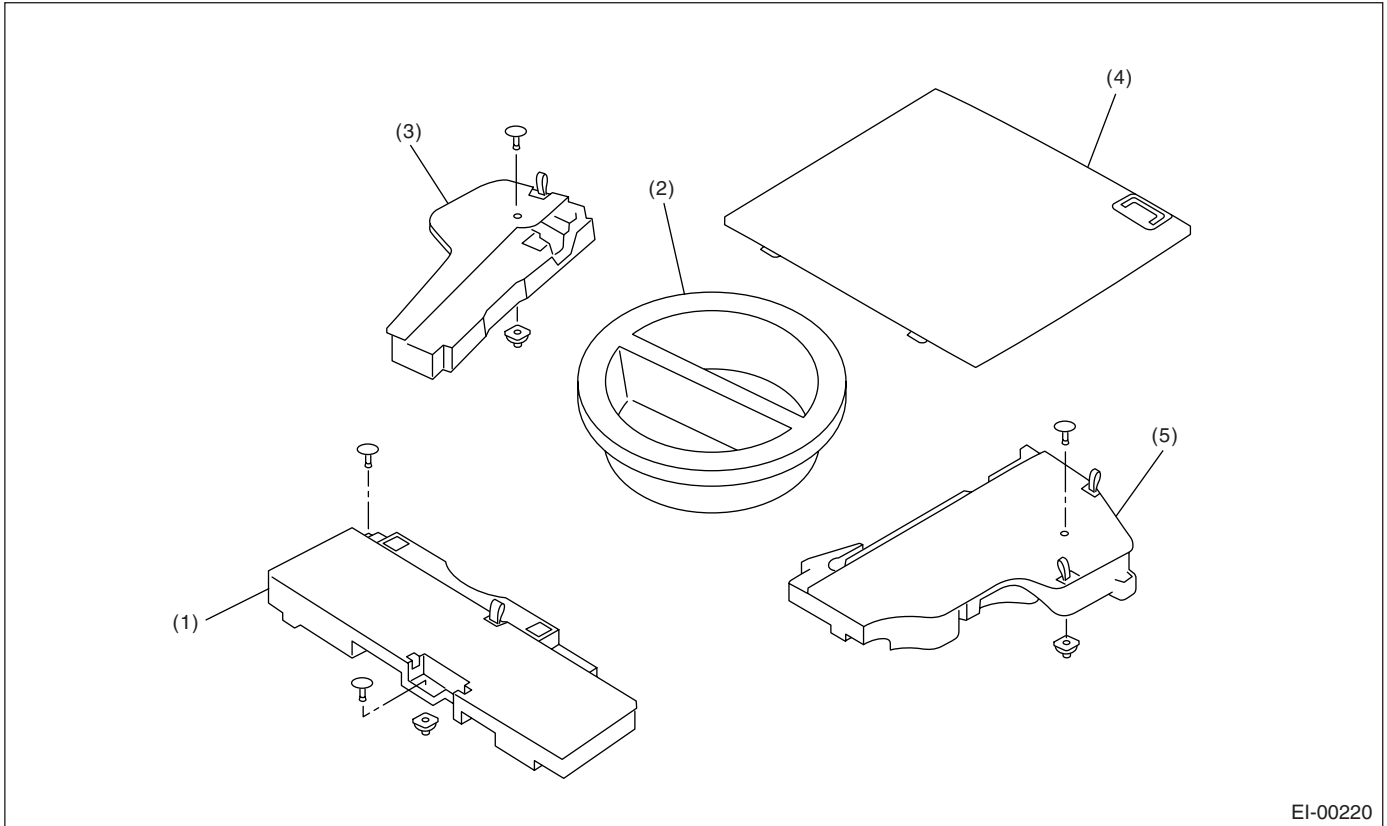
(A) Vehicle front

(1) Floor mat

General Description

EXTERIOR/INTERIOR TRIM

18.LUGGAGE FLOOR MAT



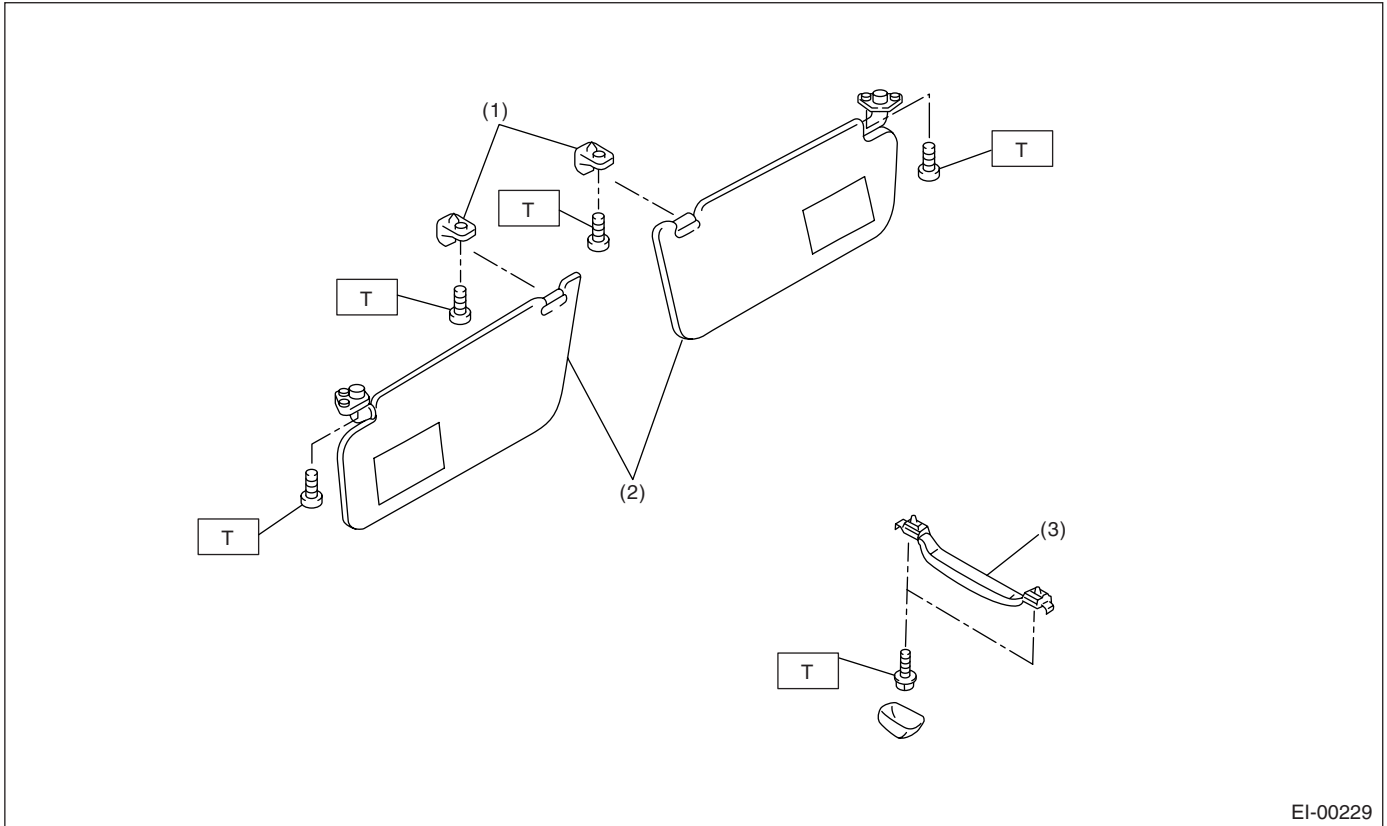
EI-00220

(1) Front floor mat
(2) Floor box

(3) Side floor mat RH
(4) Center floor mat

(5) Side floor mat LH

19.INNER ACCESSORIES



EI-00229

- (1) Hook
- (2) Sun visor

- (3) Assist grip (Retractable)

Tightening torque: N·m (kgf·m, ft·lb)

T: 2 (0.20, 1.46)

B: PREPARATION TOOL

TOOL NAME	REMARKS
Clip remover	Used for removal of trim.
Clip clamp pliers	Used for removal of various clips and clamps.

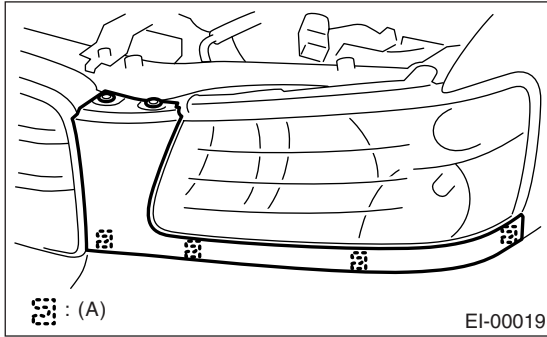
Front Grille

EXTERIOR/INTERIOR TRIM

2. Front Grille

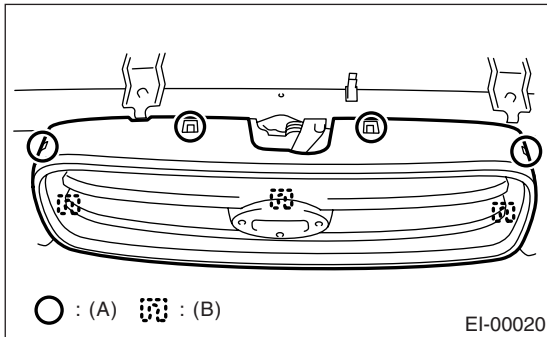
A: REMOVAL

- 1) Open the front hood.
- 2) Remove the two upper clips of front grille side. Slide the front grille side to vehicle outside, then remove the four lower hooks (A) to remove front grille side.



(A) Hook

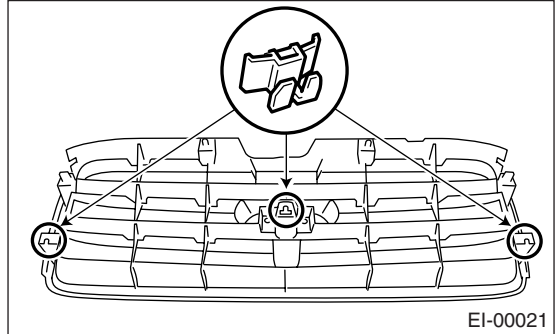
- 3) Remove the four upper clips (A) of front grille, then pull the front grille up and remove the three hooks (B) to remove front grille.



(A) Clip
(B) Hook

B: INSTALLATION

- 1) Remove the three hooks remained on body during removal, then install them to front grille.



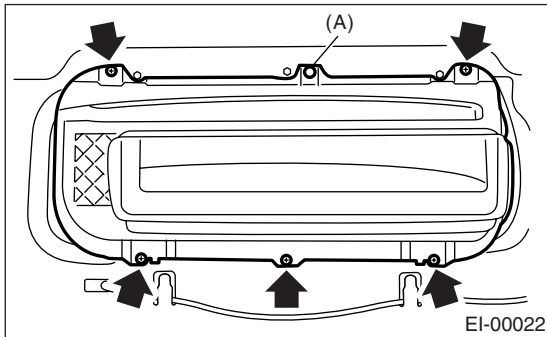
NOTE:

- Make sure that the clip direction is correct.
- 2) Install the front grille to body.
 - 3) Install the front grille side.

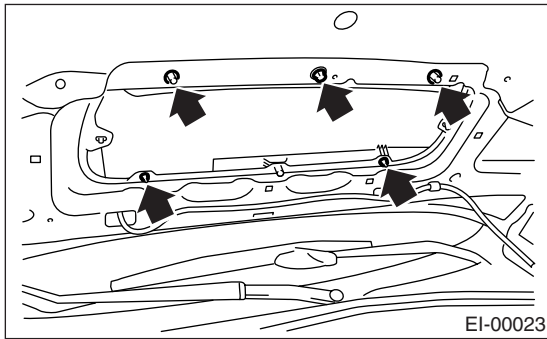
3. Hood Grille

A: REMOVAL

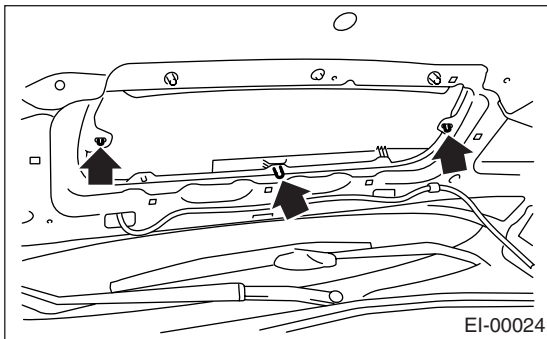
1) Remove the five screws and clip (A) to remove hood duct.



2) Remove the five nuts.

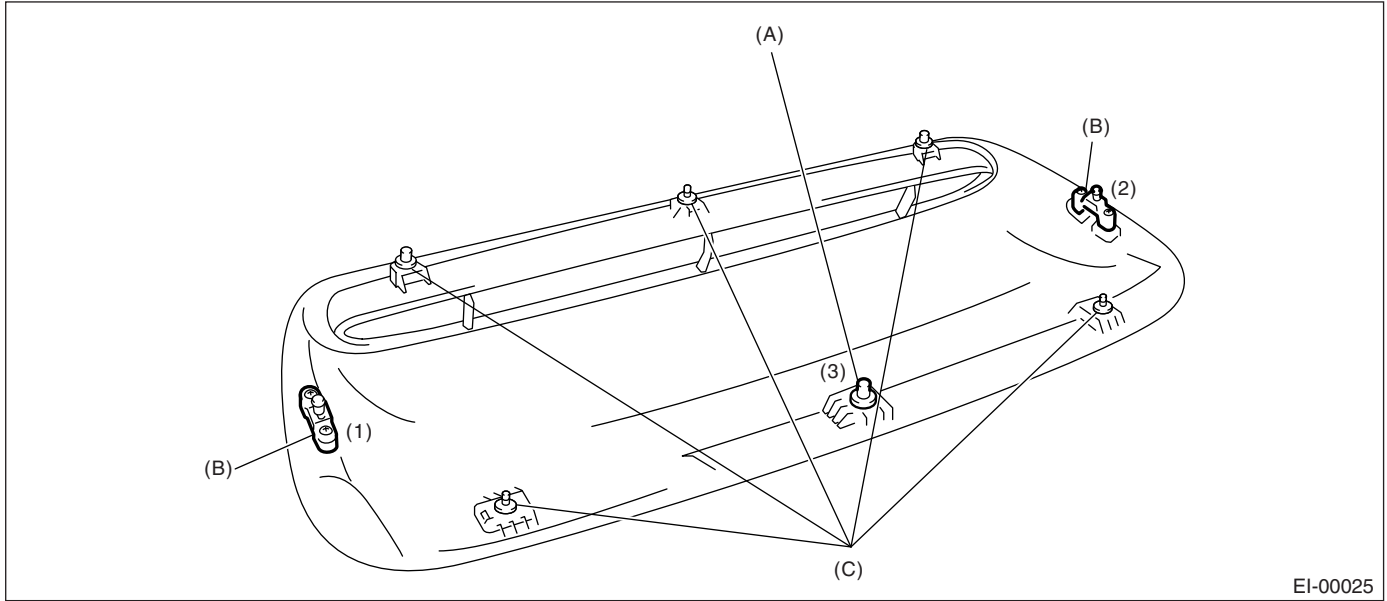


3) Remove the three black clips to remove hood grille.



Hood Grille

B: INSTALLATION



EI-00025

(A) Black clip

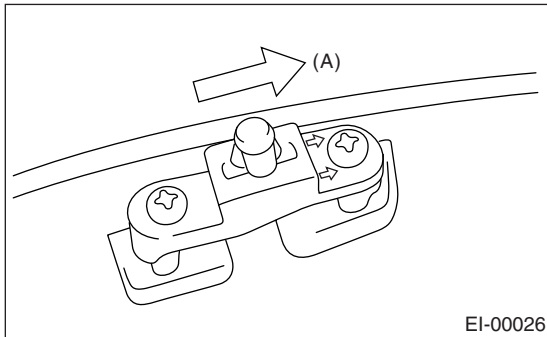
(B) Black clip

(C) Bolt

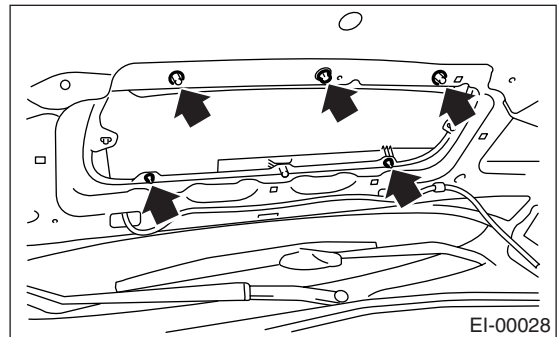
1) Replace the black clip (1), (2) with a new one. Install the clip with arrow mark facing the front side of grille (A).

4) Install the five nuts.

Tightening torque:
4.4 N·m (0.45 kgf·m, 3.25 ft·lb)



EI-00026



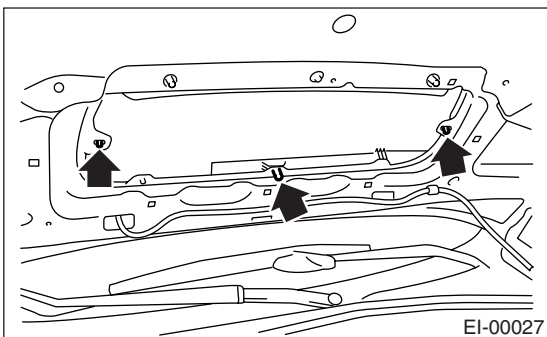
EI-00028

2) Replace the black clip (3) with a new one.
 3) Insert the hood grille clip and engage the three clips.

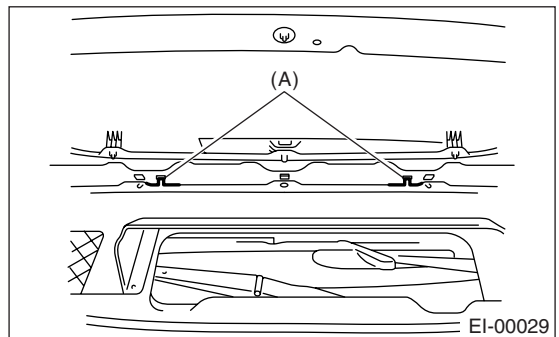
5) Catch the two hooks (A) of hood duct to the hood holes.

NOTE:

Make sure that the anchor portion of each clip is firmly engaged.

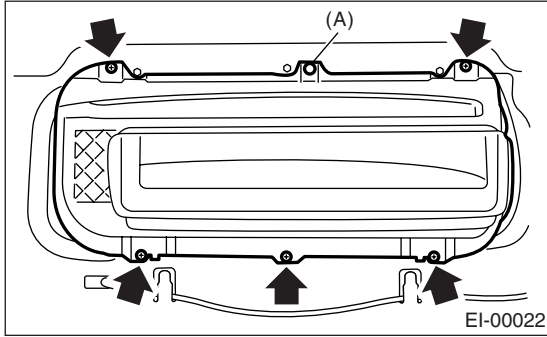


EI-00027



EI-00029

6) Install the hood duct with clip (A) and five screws.



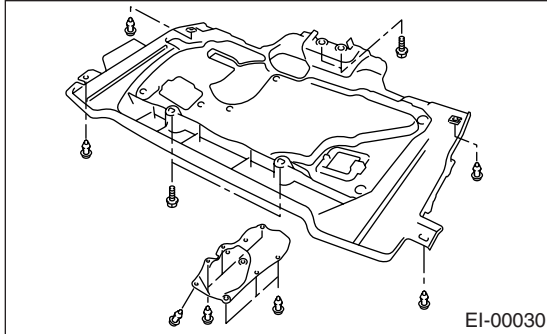
C: INSPECTION

Make sure that the clip is firmly engaged.
Make sure that there is no abnormal gap at whole periphery of hood grille.
Make sure that there is no damage on hood grille.

4. Front Under Cover

A: REMOVAL

- 1) Lift-up the vehicle.
- 2) Loosen the bolts, remove the clips, and then remove the under cover.



B: INSTALLATION

Install in the reverse order of removal.

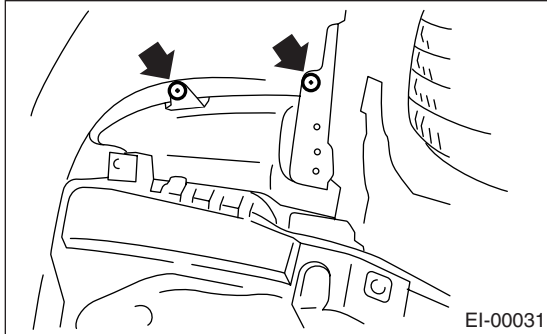
Tightening torque:

18 N·m (1.84 kgf-m, 13.3 ft-lb)

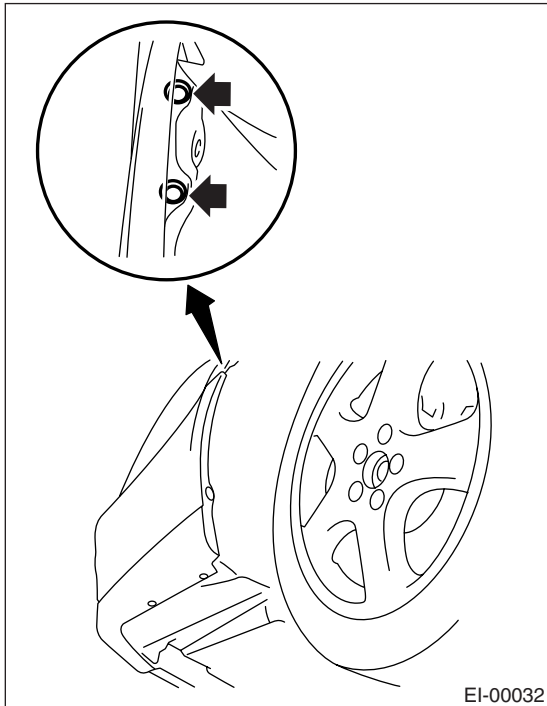
5. Front Bumper

A: REMOVAL

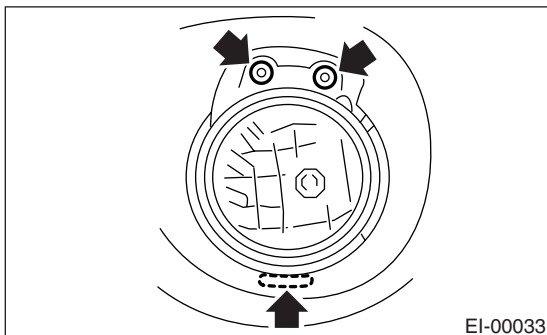
- 1) Disconnect the ground cable from battery.
- 2) Loosen the two clips to remove the mud guard and front under cover.



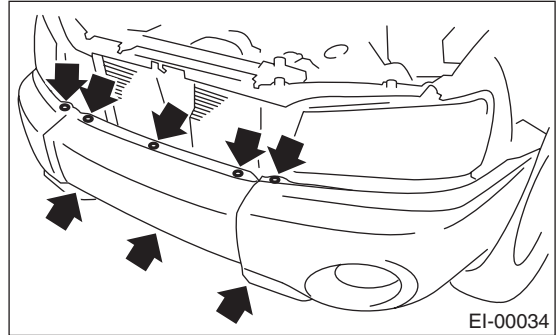
- 3) Turn over the mud guard, and remove two inside clips which securing front bumper to fender.



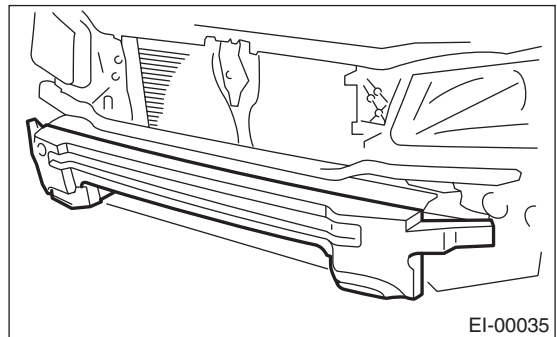
- 4) Turn over the mud guard, and disconnect the fog light connector before removing a bolt and clip which installed to under side of fog light hole.



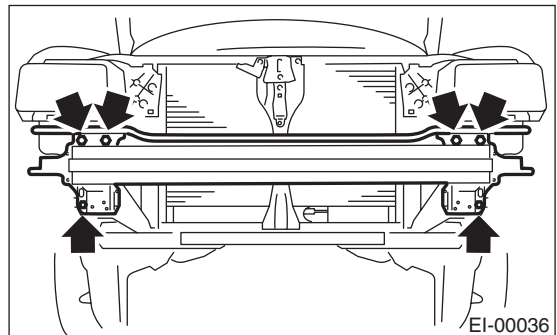
- 5) Remove the front grille and front grille side. <Ref. to EI-18, REMOVAL, Front Grille.>
- 6) Remove the eight clips, and pull out the bumper slightly.



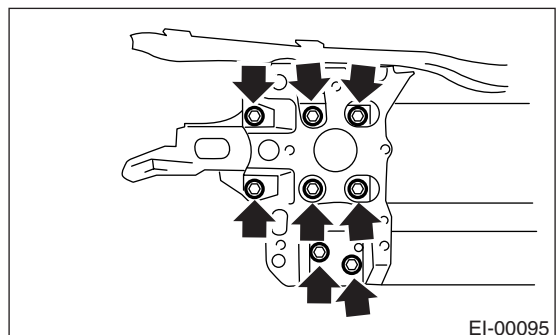
- 7) Remove the E/A FORM from bumper beam. E/A FORM may easily break. Do not apply excessive force to it during removal.



- 8) Remove the bumper beam.



- 9) Remove the eight bolts to disassemble the front bumper beam.



B: INSTALLATION

Install in the reverse order of removal.

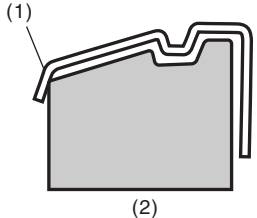
Tightening torque:

Refer to COMPONENT in General Description.

<Ref. to EI-4, FRONT BUMPER, COMPONENT, General Description.>

C: REPAIR

1. COATING METHOD FOR PP BUMPER

Process No.	Process name	Job contents	
1	Bumper mounting	Set the bumper on paint worktable if required. Use paint worktable conforming to inner shape of bumper when possible.	 <p style="text-align: center;">(1) Bumper (2) Set bumper section</p> <p style="text-align: right;">EI-00038</p>
2	Masking	Mask specified part (black base) with masking tape. Use masking tape for PP (example, Nichiban No. 533, etc.).	
3	Degreasing, cleaning	Clean all parts to be painted with white gasoline, normal alcohol, etc. to remove dirt, oil, fat, etc.	
4	Primer paint	Apply primer one to all parts to be painted, using air gun. Use primer (clear).	
5	Drying	Dry at normal temperature [10 to 15 min. at 20°C (68°F)]. In half-dried condition, PP primer paint is dissolved by solvent, e.g. thinner, etc. Therefore, if dust or dirt must be removed, use ordinary alcohol, etc.	
6	Top coat paint (I)	Solid color	Metallic color
		Use section (block) paint for top coat. <ul style="list-style-type: none"> • Paint in use (for each color): Solid paint Hardener PB Thinner T-301 • Mixing ratio: Main agent vs. hardener = 4:1 • Viscosity: 10 — 13 sec/20°C (68°F) • Film thickness: 35 — 45μ • Spraying pressure: 245 — 343 kPa (2.5 — 3.5 kg/cm², 36 — 50 psi) 	Use section (block) paint for top coat. <ul style="list-style-type: none"> • Paint in use (for each color): Metallic paint Hardener PB Thinner T-306 • Mixing ratio: Main agent vs. hardener = 10:1 • Viscosity: 10 — 13 sec/20°C (68°F) • Film thickness: 15 — 20μ • Spraying pressure: 245 — 343 kPa (2.5 — 3.5 kg/cm², 36 — 50 psi)
7	Drying	Not required.	Dry at normal temperature [10 min. or more at 20°C (68°F)]. In half-dried condition, avoid dust, dirt.
8	Top coat paint (II)	Not required.	Apply a clear coat to parts with top coat paint (I), three times, at 5 — 7 minutes intervals. <ul style="list-style-type: none"> • Paint in use: Metallic paint Hardener PB Thinner T-301 • Mixing ratio: Clear vs. hardener = 6:1 • Viscosity: 14 — 16 sec/20°C (68°F) • Film thickness: 25 — 30μ • Spraying pressure: 245 — 343 kPa (2.5 — 3.5 kg/cm², 36 — 50 psi)
9	Drying	60°C (140°F), 60 min. or 80°C (176°F), 30 min. If higher than 80°C (176°F), PP may be deformed. Keep maximum temperature of 80°C (176°F).	
10	Inspection	Paint check.	
11	Masking removal	Remove the masking in process No. 2.	

Front Bumper

EXTERIOR/INTERIOR TRIM

2. REPAIR INSTRUCTIONS FOR COLORED PP BUMPER

NOTE:

All PP bumpers are provided with a grained surface, and if the surface is damaged, it cannot normally be restored to its former condition. Damage limited to shallow scratches that cause only a change in the lustre of the base material or coating, can be almost fully restored. Before repairing a damaged area, explain this point to the customer and get an understanding about the matter. Repair methods are outlined below, based on a classification of the extent of damage.

1) Minor damage causing only a change in the lustre of the bumper due to a light touch
Almost restorable.

Process No.	Process name	Job contents	
1	Cleaning	Clean the area to be repaired using water.	
2	Sanding	Grind the repairing area with #500 sand paper in a "feathering" motion.	
3	Finish	Resin section	Coated section
		Repeatedly apply wax to the affected area using a soft cloth (such as flannel). Recommended wax: NITTO KASEI Soft 99 TIRE WAX BLACK, or equivalent.	Perform either the same operation as for the resin section or process No. 18 and subsequent operations in the "3)" section, depending on the degree and nature of damage.
		Polish the waxed area with a clean cloth after 5 to 10 minutes.	

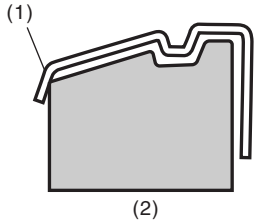
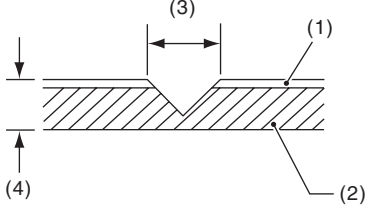
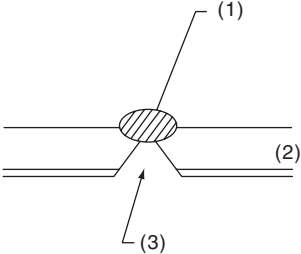
2) Deep damage caused by scratching fences, etc.
A dent cannot be repaired but a whitened or swelled part can be removed.

Process No.	Process name	Job contents	
1	Cleaning	Clean the damaged area with water.	
2	Removal of damaged area	Cut off protruding area, if any, due to collision, using a putty knife.	
3	Sanding	Grind the affected area with #100 to #500 sand paper.	
4	Finish	Resin section	Coated section
		Same as Process No. 3 in the "1)" section.	Perform Process No. 12 and subsequent operations in the "3)" section.

Front Bumper

EXTERIOR/INTERIOR TRIM

3) Deep damage such as a break or hole that requires filling
 Much of the peripheral grained surface must be sacrificed for repair, and the degree of restoration is not really worth the expense. (The surface, however, will become almost flush with adjacent areas.)
 Recommended repair kit: PP Part Repair Kit (NRM)

Process No.	Process name	Job contents
1	Bumper removal	Remove the bumper as required.
2	Part removal	Remove the parts built into bumper as required.
3	Bumper placement	<p>Place the bumper on a paint worktable as required. It is recommended that contour of worktable accommodate internal shape of bumper.</p>  <p>(1) Bumper (2) Set bumper section</p> <p>EI-00038</p>
4	Surface preparation	Remove dust, oil, etc. from areas to be repaired and surrounding areas, using a suitable solvent (NRM No. 900 Precleno, white gasoline, or alcohol).
5	Cutting	<p>If nature of damage are cracks or holes, cut a guide slit of 20 to 30 mm (0.79 to 1.18 in) in length along the crack or hole up to the bumper's base surface. Then, bevel or "vee-out" the affected area using a knife or grinder.</p>  <p>(1) Paint surface (2) PP base surface (3) 20 — 30 mm (0.79 — 1.18 in) (4) 3 mm (0.12 in)</p> <p>EI-00235</p>
6	Sanding (I)	Grind beveled surface with sand paper (#40 to #60) to smooth finish.
7	Cleaning	Clean the sanded surface with the same solvent as used in Process No. 4.
8	Temporary welding	<p>Grind the side just opposite the beveled area with sand paper (#40 to #60) and clean using a solvent. Temporarily spot-weld the side, using a PP welding rod and heater gun.</p>  <p>(1) Welded spot (Use heater gun and PP welding rod) (2) PP base surface (3) Beveled section</p> <p>NOTE:</p> <ul style="list-style-type: none"> Do not melt the welding rod until it flows out. This results in reduced strength. Leave the welded spot unattended until it cools completely. <p>EI-00236</p>

Front Bumper

EXTERIOR/INTERIOR TRIM

Process No.	Process name	Job contents
9	Welding	Using a heater gun and PP welding rod, weld the beveled spot while melting the rod and damaged area.
		<div style="text-align: center;"> </div> <p style="text-align: right;">EI-00237</p> <p>(1) Melt hatched area (2) Welding rod (3) Section</p> <p>NOTE:</p> <ul style="list-style-type: none"> • Melt the sections indicated by hatched area. • Do not melt the welding rod until it flows out, in order to provide strength. • Always keep the heater gun 1 to 2 cm (0.4 to 0.8 in) away from the welding spot. • Leave the welded spot unattended until it cools completely.
10	Sanding (II)	Remove excess part of weld with a putty knife. If a drill or disc wheel is used instead of the knife, operate it at a rate lower than 1,500 rpm and grind the excess part little by little. A higher rpm will cause the PP substrate to melt from the heat.
		<div style="text-align: center;"> </div> <p style="text-align: right;">EI-00042</p> <p>Sand the welded spot smooth with #240 sand paper.</p>
11	Masking	Mask the black substrate section using masking tape. Recommended masking tape: Nichiban No. 533 or equivalent
12	Cleaning/ degreasing	Completely clean the entire coated area, using solvent similar to that used in Process No. 4.
13	Primer coating	Apply a coat of primer to the repaired surface and its surrounding areas. Mask these areas, if necessary. Recommended primer: Mp/ 364 PP Primer NOTE: Be sure to apply one coat of primer at a spraying pressure of 245 to 343 kPa (2.5 to 3.5 kg/cm ² , 36 to 50 psi) with a spray gun.
14	Leave unattended.	Leave the repaired area unattended at 20°C (68°F) for 10 to 15 minutes until primer is half-dry. NOTE: If dirt or dust comes in contact with the coated area, wipe it off with a cloth dampened with alcohol. (Do not use thinner since the coated area tends to melt.)
15	Primer surfacer coating	Apply a coat of primer surfacer to the repaired area two or three times at an interval of 3 to 5 minutes. Recommended surfacer: <ul style="list-style-type: none"> • UPS 300 Flex Primer • No. 303 UPS 300 Exclusive hardener • NPS 725 Exclusive Reducer (thinner) • Mixing ratio: 2: 1 (UPS 300: No. 303) • Viscosity: 12 — 14 sec/20°C (68°F) • Coated film thickness: 40 — 50μ
16	Drying	Allow the coated surface to dry for 60 minutes at 20°C (68°F) [or 30 minutes at 60°C (140°F)].
17	Sanding (III)	Sand the coated surface and its surrounding areas using #400 sand paper and water.
18	Cleaning/ degreasing	Same as Process No. 12.

Front Bumper

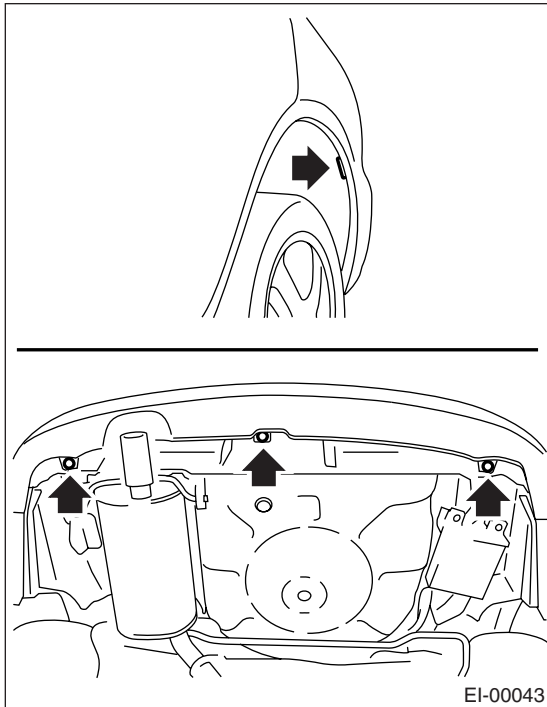
EXTERIOR/INTERIOR TRIM

Process No.	Process name	Job contents	
		Solid color	Metallic color
19	Top coat (I)	Use a "block" coating method. <ul style="list-style-type: none"> • Recommended paint: Suncryl (SC) No. 307 Flex Hardener SC Reducer (thinner) • Mixing ratio: 3: 1 Suncryl (SC) vs. No. 307 Flex Hardener • Viscosity: 11 — 13 sec/20°C (68°F) • Coated film thickness: 40 — 50μ • Spraying thickness: 245 — 343 kPa (2.5 — 3.5 kg/cm², 36 — 50 psi) 	Use a "block" coating method. <ul style="list-style-type: none"> • Recommended paint: Suncryl (SC) No. 307 Flex Hardener SC Reducer (thinner) • Mixing ratio: 3: 1 Suncryl (SC) vs. No. 307 Flex Hardener • Viscosity: 11 — 13 sec/20°C (68°F) • Coated film thickness: 20 — 30μ • Spraying thickness: 245 — 343 kPa (2.5 — 3.5 kg/cm², 36 — 50 psi)
20	Leave unattended.	Not required.	Leave unattended at 20°C (68°F) for at least 10 minutes until the topcoated area is half-dry. NOTE: Be careful to keep dust or dirt from coming in contact with the affected area.
21	Top coat (II)	Not required.	Apply a clear coat three times at an interval of 3 to 5 minutes. <ul style="list-style-type: none"> • Recommended paint: SC710 Overlay Clear No. 307 Flex Hardener SC Reducer (thinner) • Mixing ratio: 3: 1 Suncryl (SC) vs. No. 307 Flex Hardener • Viscosity: 10 — 13 sec/20°C (68°F) • Coated film thickness: 20 — 30μ • Spraying pressure: 245 — 343 kPa (2.5 — 3.5 kg/cm², 36 — 50 psi)
22	Drying	Allow the coated surface to dry at 20°C (68°F) for two hours or 60°C (140°F) for 30 minutes. NOTE: Do not allow the temperature to exceed 80°C (176°F) since this will deform the PP substrate.	
23	Inspection	Carefully check the condition of the repaired area.	
24	Masking removal	Remove the masking tape applied in Process No. 11 and 13.	
25	Parts installation	Install the parts on bumper in reverse order of removal.	
26	Bumper installation	Install the bumper.	

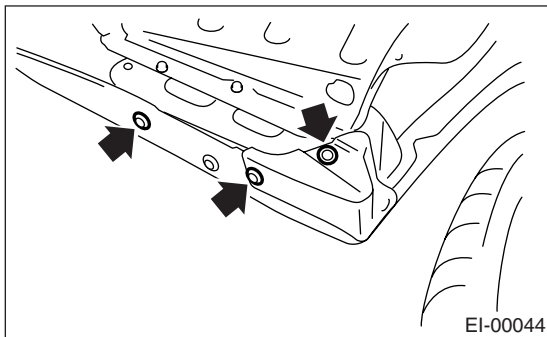
6. Rear Bumper

A: REMOVAL

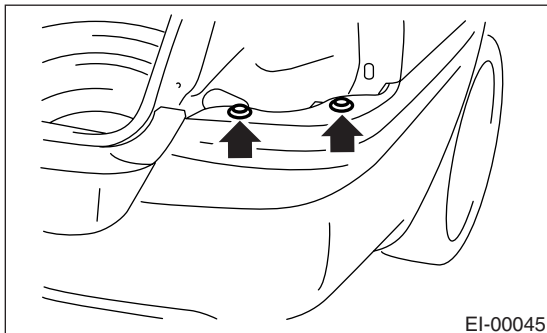
- 1) Disconnect the ground cable from battery.
- 2) Remove the bolts and clips.



- 3) Remove the clips from bumper and bracket.

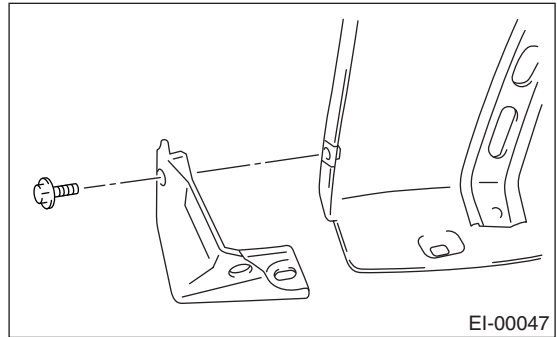


- 4) Remove the rear combination light assemblies from each side. <Ref. to LI-21, REMOVAL, Rear Combination Light Assembly.>
- 5) Remove the two clips from each side.

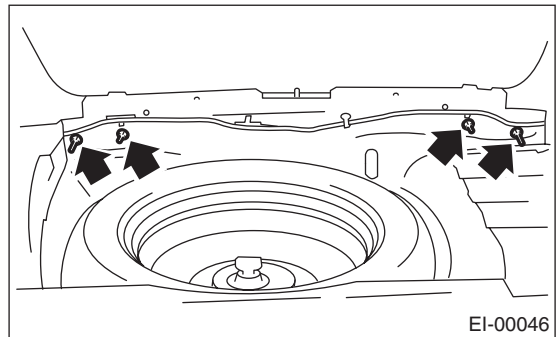


- 6) Remove the floor box.

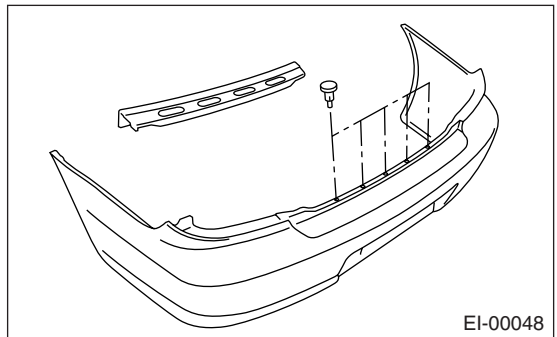
- 7) Remove the rear skirt trim.
- 8) Remove the bolt to remove bracket from bumper.



- 9) Loosen the four nuts to remove rear bumper.



- 10) Disengage the clips to remove bumper upper beam.



B: INSTALLATION

Install in the reverse order of removal.

Tightening torque:

Refer to COMPONENT in General Description.

<Ref. to EI-5, REAR BUMPER, COMPONENT, General Description.>

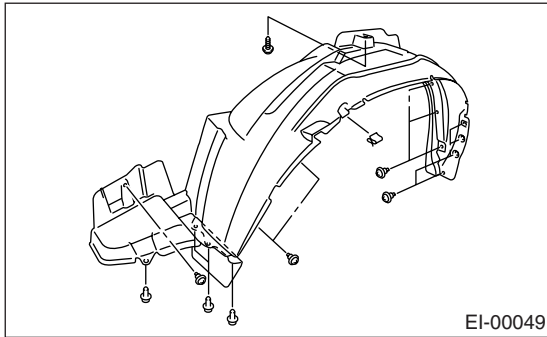
C: REPAIR

Refer to front bumper repair. <Ref. to EI-23, REMOVAL, Front Bumper.>

7. Mud Guard

A: REMOVAL

- 1) Jack-up the vehicle.
- 2) Remove the clip to remove air flap.
- 3) Remove the screws and clips to remove mud guard.



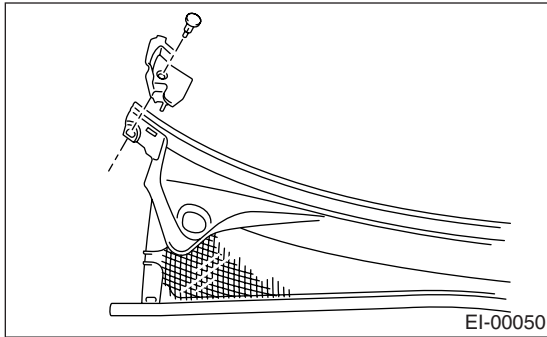
B: INSTALLATION

Install in the reverse order of removal.

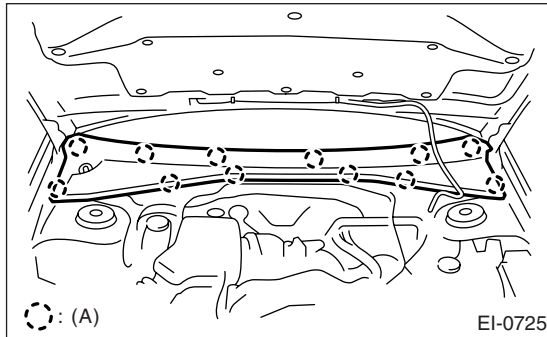
8. Cowl Panel

A: REMOVAL

- 1) Open the front hood.
- 2) Remove the wiper arm. <Ref. to WW-12, REMOVAL, Front Wiper Arm.>
- 3) Remove the clips to remove cowl side panels.



- 4) Loosen the clips to remove cowl panel.



(A) Clip

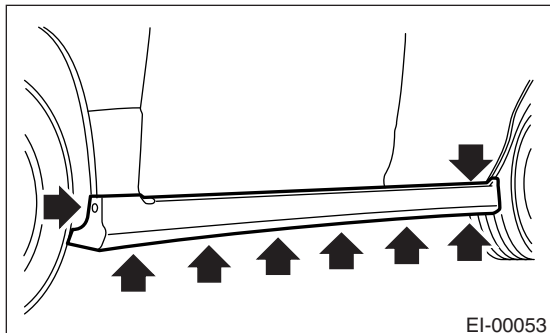
B: INSTALLATION

Install in the reverse order of removal.

9. Side Sill Spoiler

A: REMOVAL

Remove the clips (one on front fender arch, six on bottom of side sill spoiler, one on top of side sill spoiler), then remove the side sill spoiler.



B: INSTALLATION

Install in the reverse order of removal.

10.Side Garnish

A: REMOVAL

1) Incise the edge of garnish using cutter, and then remove the garnish with pulling towards you by hands.

NOTE:

Remove the garnish carefully. Forced removal of garnish may damage garnish and clips.

2) Adhere the masking tape around area where the double-sided tape of side garnish was adhere.

3) Apply the solvent (SUMITOMO 3M 4000 or equivalent) to the area where double-sided tape was adhered.

NOTE:

- Wipe off immediately when the solvent is touched on the garnish surface.
- Do not use the solvent to the body which repaired with lacquer paint.

4) Cover the area where the solvent applied using plastic wrap, and then heat the double-sided tape was adhered for 5 to 15 minutes in 40 to 60°C (104 to 140°F) using heat lamp.

5) Remove the double-sided tape of side garnish side tape by following above step 3) and 4).

NOTE:

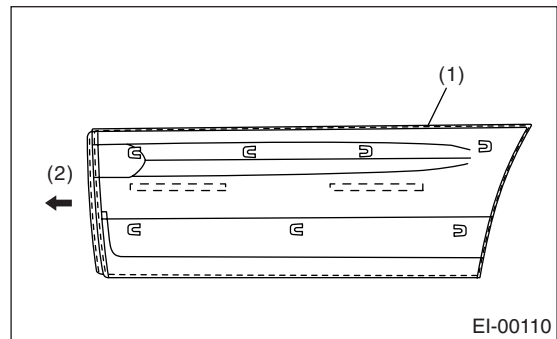
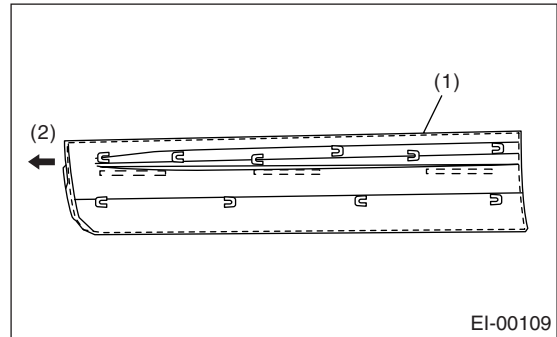
When the double-sided tape is not removed completely using above steps, use the scraper.

B: INSTALLATION

1) Apply the PRIMER (SUMITOMO 3M K-500 or equivalent) widely to the slightly larger area where double-sided tape was adhered, and then adhere the double-sided tape (SUMITOMO 3M 5305 or equivalent).

NOTE:

Use 5 mm (0.2 in) width and 1 mm (0.04 in) thickness double-sided tape.



- (1) Double-sided tape
- (2) Front side

2) Heat the vehicle body to 40 to 60°C (104 to 140°F) and garnish to 20 to 30°C (68 to 86°F) using heat lamp.

3) Remove the double-sided tape backing sheet, and then align the clips to vehicle body holes. Press and install the side garnish applying 69 — 98 N (7 — 10 kgf, 15 — 22 lbf) by the hands, using care to avoid air entering.

NOTE:

- To keep the adhesion, do not wash the vehicle within 24 hours.
- After the adhesion, use care not to move the side garnish up and down.

C: INSPECTION

- Check the side garnish is not damaged or cracked.
- Check the clips are not broken.

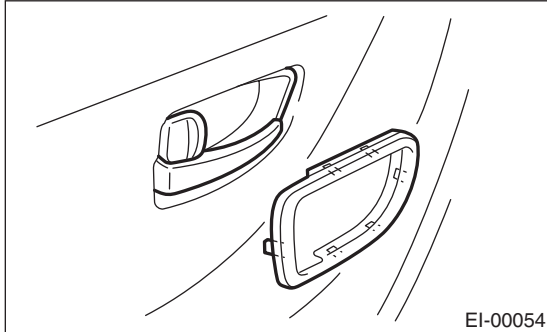
11. Front Door Trim

A: REMOVAL

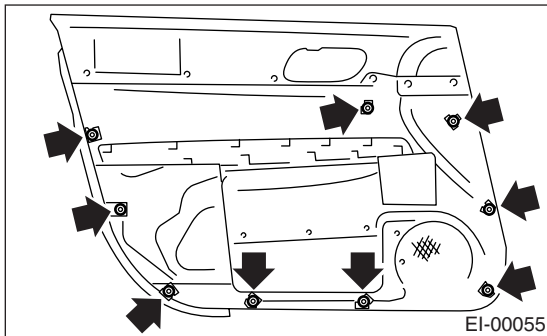
CAUTION:

Do not apply excessive force to the clip. Otherwise the clip may be broken.

- 1) Disconnect the ground cable from battery.
- 2) Remove the gusset cover.
- 3) Pull up the inner remote cover toward you to remove upper hook. Pull down it to remove the lower hook. Remove the inner remote cover.



- 4) Remove the power window control switch. <Ref. to GW-7, REMOVAL, Power Window Control Switch.>
- 5) Remove the clips of trim panel using clip remover to remove trim panel.



B: INSTALLATION

Install in the reverse order of removal.

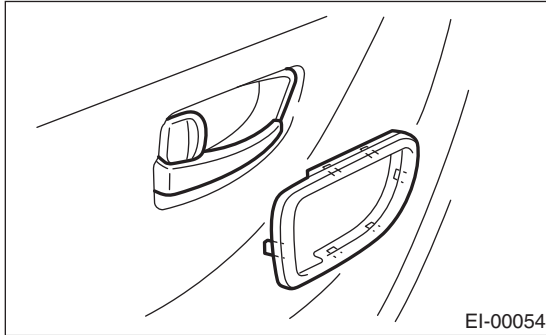
12.Rear Door Trim

A: REMOVAL

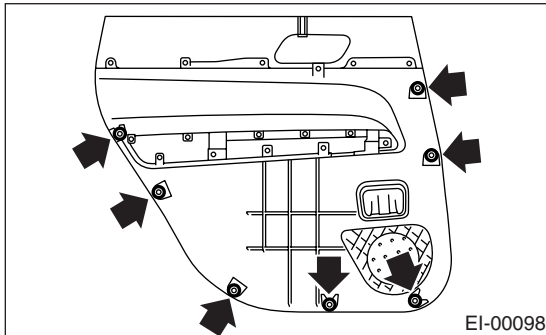
CAUTION:

Do not apply excessive force to the clip. Otherwise the clip may be broken.

- 1) Disconnect the ground cable from battery.
- 2) Pull up the inner remote cover toward you to remove upper hook. Pull down it to remove the lower hook. Remove the inner remote cover.



- 3) Remove the power window control switch. <Ref. to GW-7, REMOVAL, Power Window Control Switch.>
- 4) Remove the clips of trim panel using clip remover to remove trim panel.



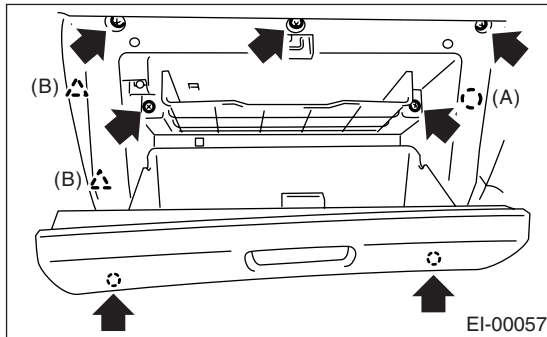
B: INSTALLATION

Install in the reverse order of removal.

13. Glove Box

A: REMOVAL

- 1) Open the glove box.
- 2) Loosen the screws to remove glove box.



- (A) Hook
- (B) Clip

B: INSTALLATION

Install in the reverse order of removal.

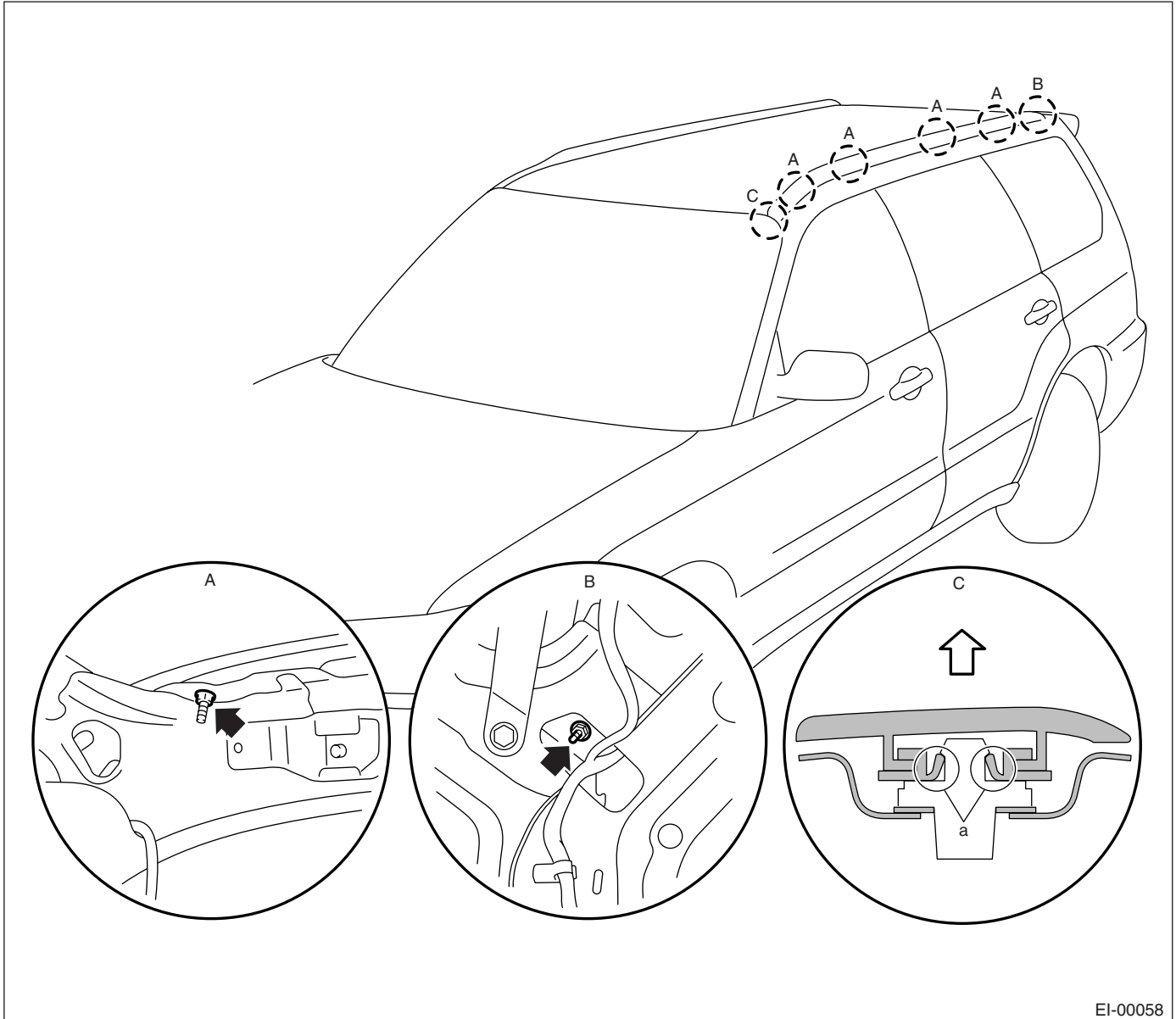
Roof Rail

EXTERIOR/INTERIOR TRIM

14. Roof Rail

A: REMOVAL

- 1) Remove the roof trim. <Ref. to EI-47, REMOVAL, Roof Trim.>
- 2) Remove the five mounting nuts.
- 3) Detach the clip at front edge sideways carefully to remove the roof rail upwards.



EI-00058

NOTE:

Remove the clip at "C" area upwards while applying sideway force to deflect hook at "a" area.

B: INSTALLATION

Install in the reverse order of removal.

CAUTION:

Be careful not to scratch the body panels with roof rail stud bolts when removing and installing them.

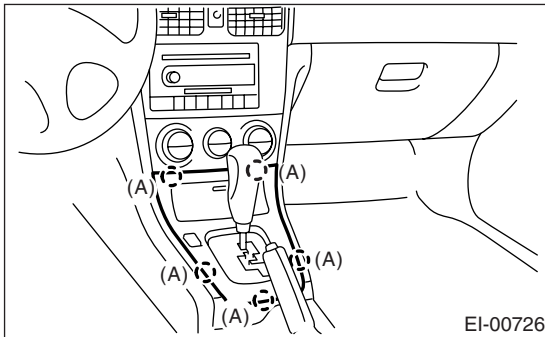
Tightening torque:

7.5 N·m (0.76 kgf-m, 5.53 ft-lb)

15. Console Box

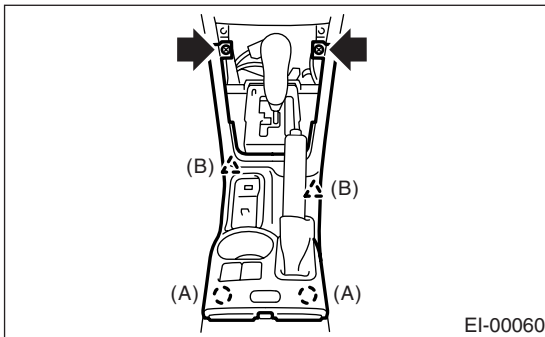
A: REMOVAL

- 1) Disconnect the ground cable from battery.
- 2) Remove the console front cover.



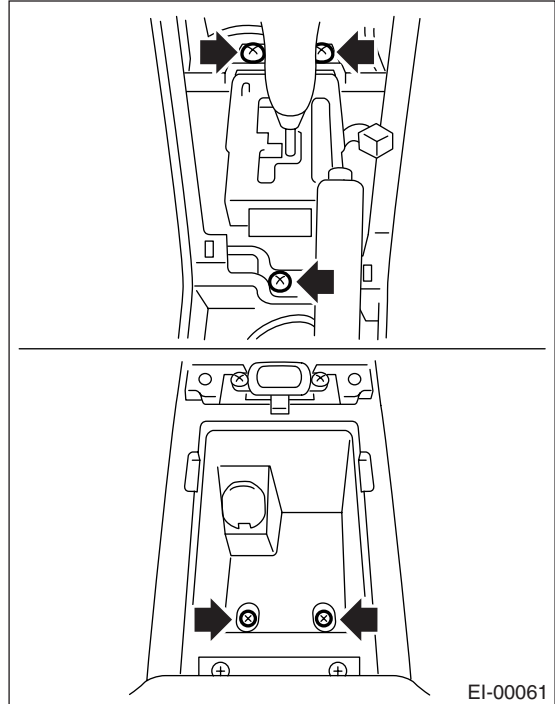
(A) Hook pawl

- 3) Remove the shift knob (MT model).
- 4) Loosen the screws to remove console cover.



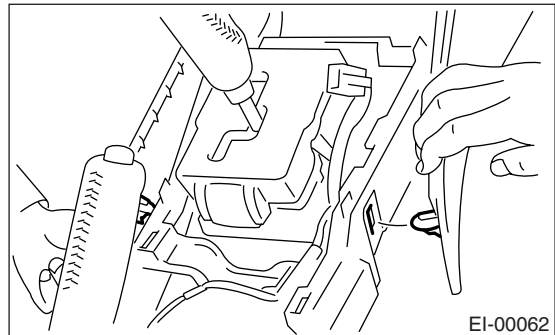
(A) Hook pawl
(B) Clip

- 5) Loosen the screws.



EI-00061

- 6) Remove the hook pawl of console side panel to remove console box.



EI-00062

B: INSTALLATION

Install in the reverse order of removal.

Instrument Panel Assembly

EXTERIOR/INTERIOR TRIM

16. Instrument Panel Assembly

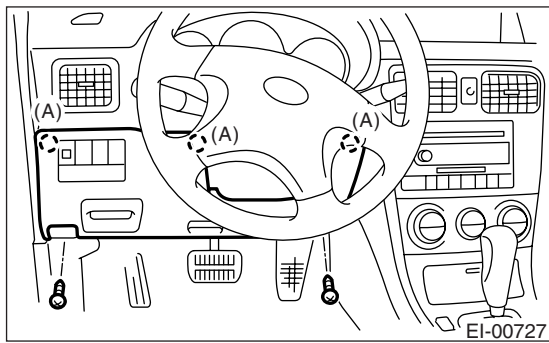
A: REMOVAL

CAUTION:

- All airbag system wiring harness and connectors are colored yellow. Do not use electrical test equipment on these circuits.
- Be careful not to damage the airbag system harness when servicing the instrument panel.

1. REMOVAL OF INSTRUMENT PANEL ONLY

- 1) Disconnect the ground cable from battery.
- 2) Loosen the screws and clips, and then remove the lower cover.

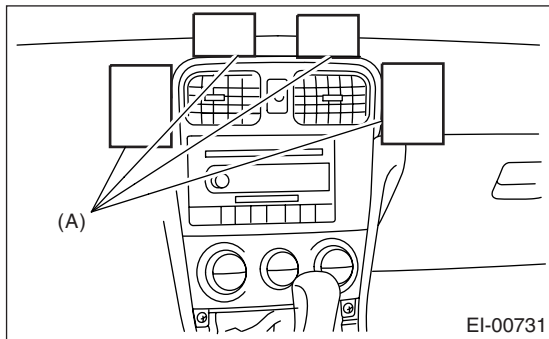


(A) Clip

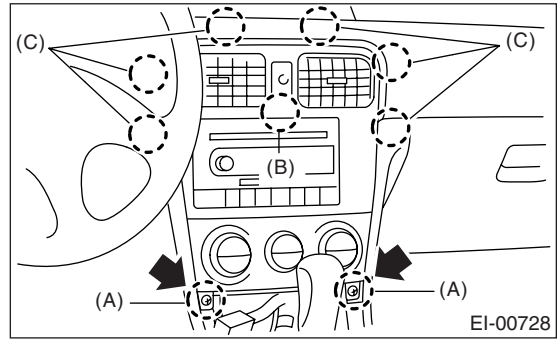
- 3) Disconnect the in-vehicle sensor hose and connector.
- 4) Remove the console front cover and console cover. <Ref. to EI-39, REMOVAL, Console Box.>
- 5) Apply the thick protective tape (A) to instrument panel pad to protect the surface of it.

NOTE:

Also apply the protective tape to the deep inside portion between center console panel and instrument panel pad.



- 6) Loosen the screws.

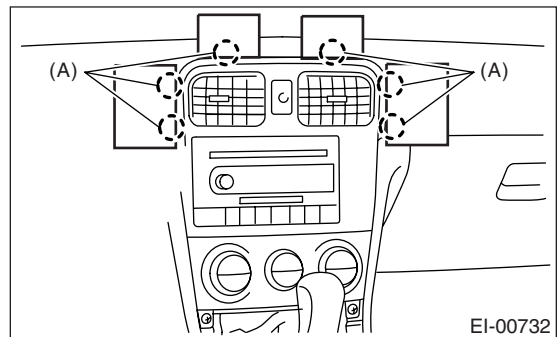


- (A) Screw
- (B) Clip
- (C) Claw

- 7) Insert the flat tip screwdriver to the position (A) and release the claw with pulling out the lower portion of center console panel.

CAUTION:

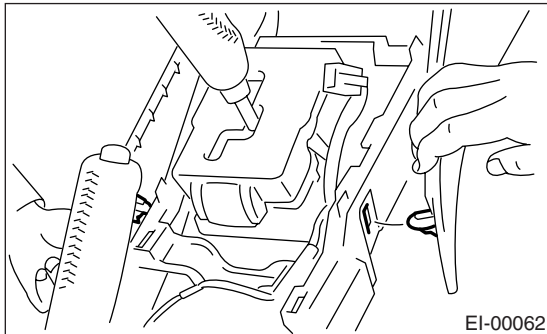
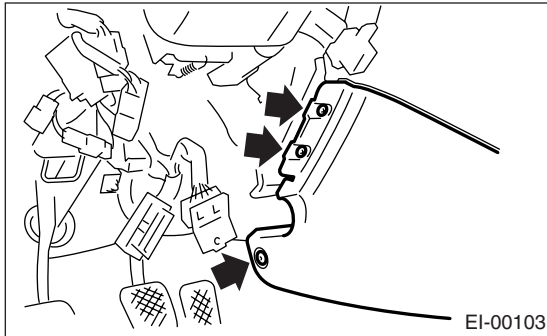
Do not insert the flat tip screwdriver into any portion except for indicated in the figure. The instrument panel may be damaged.



(A) Inserting position of flat tip screwdriver

- 8) Disconnect the connectors of A/C control panel and hazard switch.

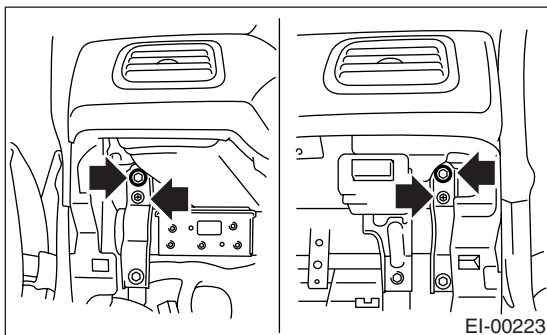
9) Loosen the screws and clips, and then remove the side console panel.



10) Remove the passenger's airbag module. <Ref. to AB-15, REMOVAL, Passenger's Airbag Module.>

11) Remove the two steering column installation bolts. <Ref. to PS-26, REMOVAL, Tilt Steering Column.>

12) Loosen the four instrument panel installation bolts. (Do not remove the lower bolts for alignment of install location.)



13) Remove the combination meter assembly. <Ref. to IDI-10, REMOVAL, Combination Meter Assembly.>

14) Loosen the instrument panel installation screws.

15) Remove the instrument panel center compartment. <Ref. to EI-51, REMOVAL, Instrument Panel Center Compartment.>

16) Remove the radio. <Ref. to ET-5, REMOVAL, Radio Body.>

17) Remove the side cover of instrument panel assembly (both side), and then loosen two bolts.

18) Remove the instrument panel assembly.

NOTE:

Remove the front pillar upper trim if necessary. <Ref. to EI-43, REMOVAL, Upper Inner Trim.>

19) Disconnect the combination meter harness connector.

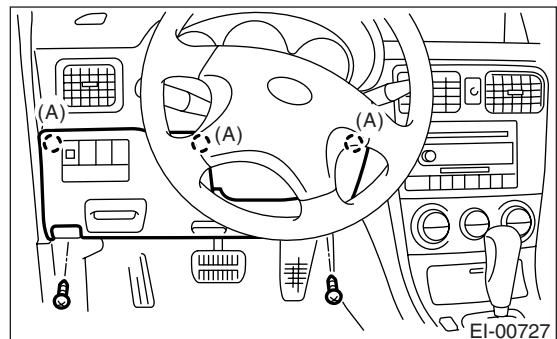
CAUTION:

Do not disconnect the connector by pulling harness.

2. REMOVAL OF INSTRUMENT PANEL WITH STEERING BEAM

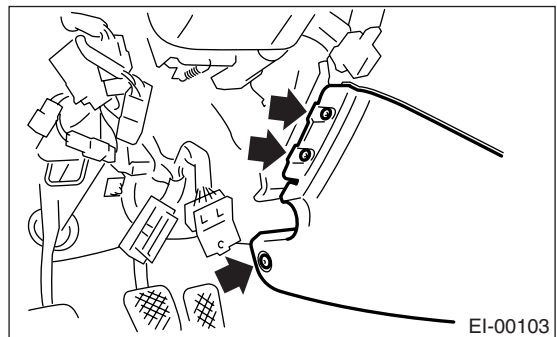
1) Disconnect the ground cable from battery.

2) Loosen the screws and clips (A), and then remove the lower cover.



3) Remove the console front cover and console cover. <Ref. to EI-39, REMOVAL, Console Box.>

4) Loosen the screws and clips, and then remove the side console panel.

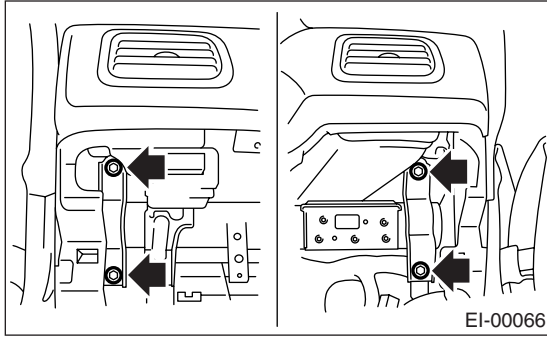


5) Remove the steering column.

Instrument Panel Assembly

EXTERIOR/INTERIOR TRIM

6) Loosen the four instrument panel installation bolts.



7) Remove the driver's and passenger's airbag module. <Ref. to AB-14, REMOVAL, Driver's Airbag Module.> <Ref. to AB-15, REMOVAL, Passenger's Airbag Module.>

8) Loosen the steering beam installation bolts.

9) Loosen the brake pedal installation bolts. <Ref. to BR-50, REMOVAL, Brake Pedal.>

10) Remove two clips from the edge of instrument panel assembly.

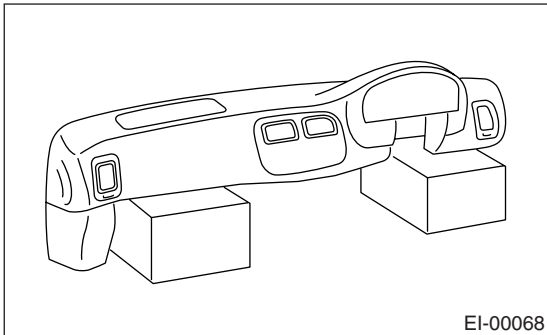
11) Remove the instrument panel assembly.

CAUTION:

Do not disconnect the connector by pulling harness.

NOTE:

- If necessary, make matching marks for easy re-assembly.
- When storing the removed instrument panel, place it standing up on the floor.



B: INSTALLATION

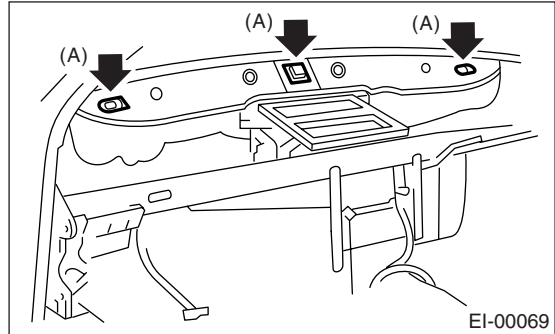
Install in the reverse order of removal.

CAUTION:

- **Be careful not to snag the harness.**
- **Make sure to connect the harness connector.**

NOTE:

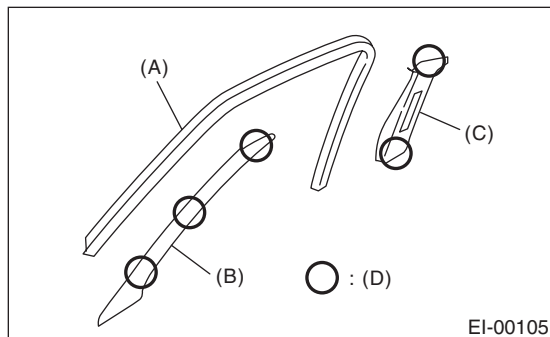
When setting the instrument panel into position, push the hook into grommet (A) on the body panel.



17.Upper Inner Trim

A: REMOVAL

- 1) Remove the lower inner trim. <Ref. to EI-44, REMOVAL, Lower Inner Trim.>
- 2) Remove the front molding (A).
- 3) Remove the front pillar upper trim (B).
- 4) Detach the front seat belt shoulder anchor, then remove the center pillar upper trim (C).



(D) Clip

B: INSTALLATION

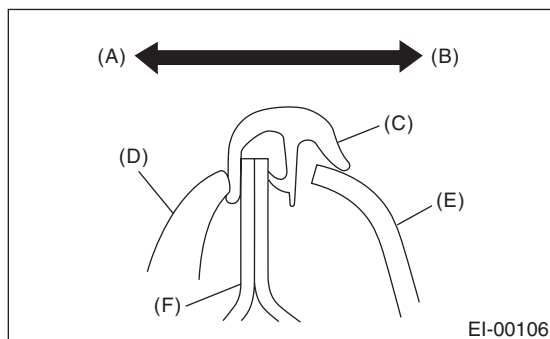
Install in the reverse order of removal.

CAUTION:

Be sure to securely hook pawls of inner trim panel to body flange.

NOTE:

When installing the center pillar upper trim and front pillar upper trim, be sure to set the front molding as shown in the figure.

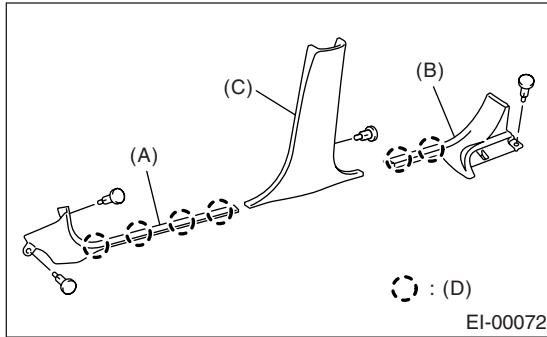


- (A) Outside
- (B) Inside
- (C) Molding
- (D) Weather strip
- (E) Trim
- (F) Body

18. Lower Inner Trim

A: REMOVAL

- 1) Remove the side sill front cover (A).
- 2) Remove the rear seat cushion <Ref. to SE-13, REMOVAL, Rear Seat.>, then remove side sill rear cover (B).
- 3) Remove the center pillar lower trim (C).



(D) Clip

B: INSTALLATION

Install in the reverse order of removal.

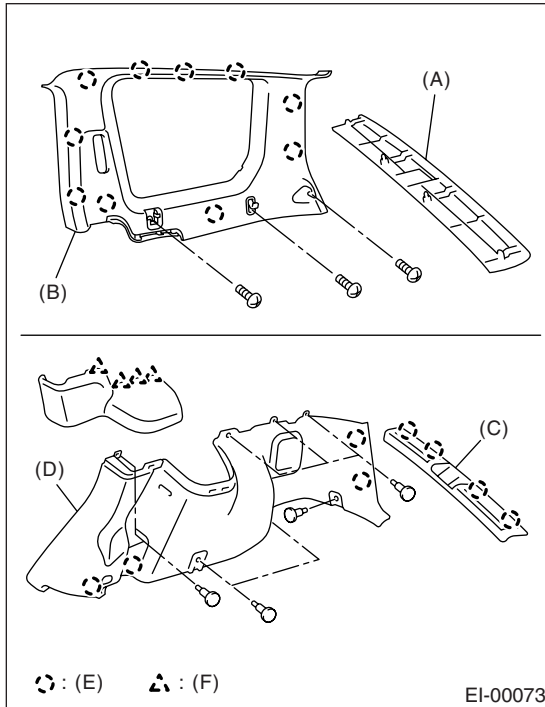
CAUTION:

Be sure to securely hook pawls of inner trim panel to body flange.

19.Rear Quarter Trim

A: REMOVAL

- 1) Remove the rear seat. <Ref. to SE-13, REMOVAL, Rear Seat.>
- 2) Remove the side sill rear cover.
- 3) Remove the rear rail trim (A).
- 4) Remove the strut cap.
- 5) Remove the shoulder anchor of rear seat belt.
- 6) Loosen the screws and clips to remove rear quarter upper trim (B).
- 7) Remove the rear skirt trim (C).
- 8) Loosen the screws and clips to remove rear quarter lower trim (D).



- (E) Clip
- (F) Hook

B: INSTALLATION

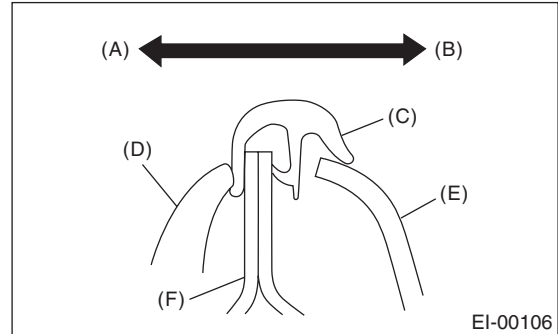
Install in the reverse order of removal.

CAUTION:

Be sure to securely hook pawls of inner trim panel to body flange.

NOTE:

When installing the rear quarter upper trim, be sure to set the rear molding as shown in the figure.

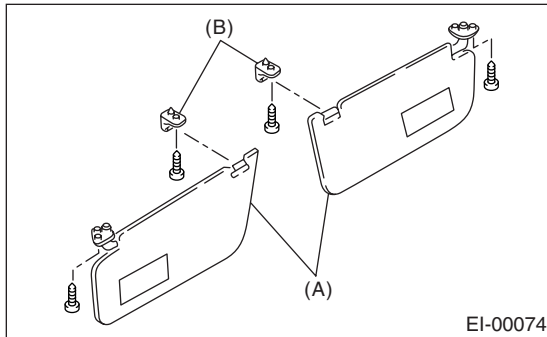


- (A) Outside
- (B) Inside
- (C) Molding
- (D) Weather strip
- (E) Trim
- (F) Body

20.Sun Visor

A: REMOVAL

Remove the mounting screws then detach sun visor (A) and hook (B).



B: INSTALLATION

Install in the reverse order of removal.

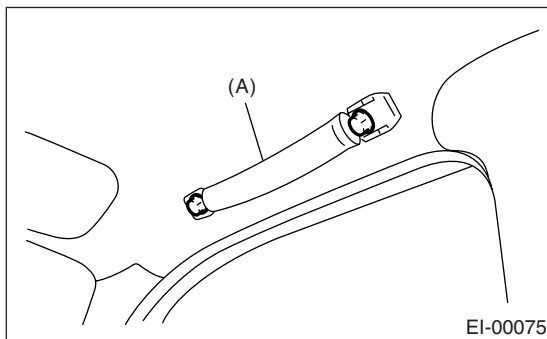
21. Roof Trim

A: REMOVAL

CAUTION:

When removing the clip, use great care not to damage the roof trim.

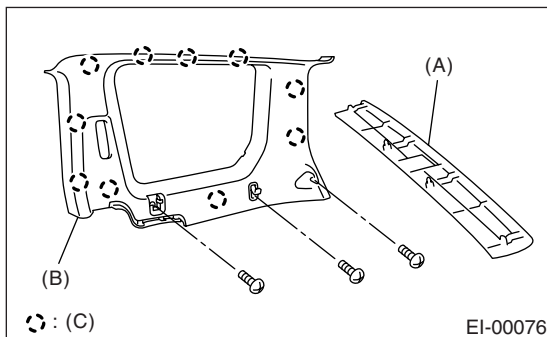
- 1) Disconnect the ground cable from battery.
- 2) Remove the over head console. (Sunroof model)
<Ref. to SR-9, REMOVAL, Sunroof Switch.>
- 3) Remove the room light. <Ref. to LI-30, REMOVAL, Room Light.>
- 4) Remove the sun visor and hook or both sides.
<Ref. to EI-46, REMOVAL, Sun Visor.>
- 5) Remove the assist grip cap to remove assist grip (A).



EI-00075

- 6) Remove the upper inner trim. <Ref. to EI-43, REMOVAL, Upper Inner Trim.>
- 7) Remove the rear quarter upper trim shown in the figure. <Ref. to EI-45, REMOVAL, Rear Quarter Trim.>

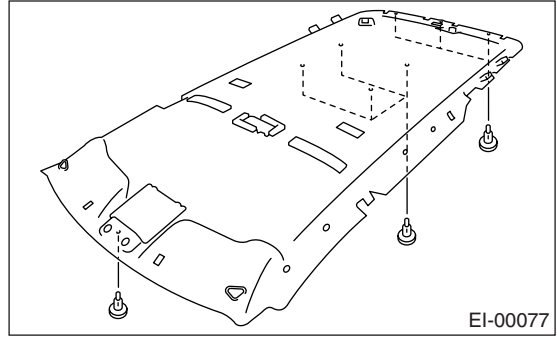
- (1) Remove the rear rail trim (A).
- (2) Remove the rear quarter upper trim (B) of both sides.



EI-00076

(C) Clip

- 8) Remove the clips, and then remove the roof trim.



EI-00077

B: INSTALLATION

Install in the reverse order of removal.

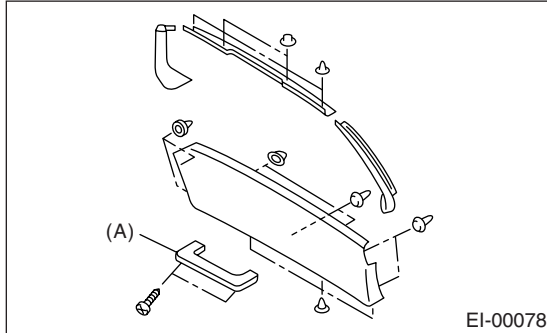
22.Rear Gate Trim

A: REMOVAL

CAUTION:

Be careful not to damage the clips or their holes.

Remove the rear gate inner handle (A) from rear gate and then detach trim panel.



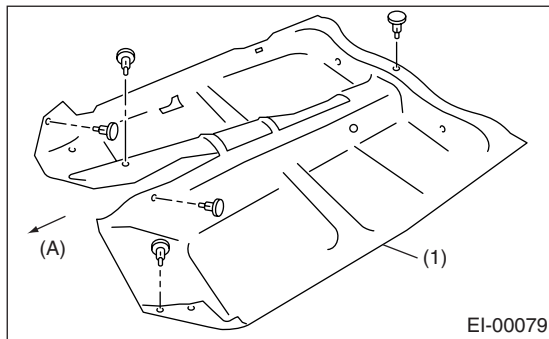
B: INSTALLATION

Install in the reverse order of removal.

23. Floor Mat

A: REMOVAL

- 1) Remove the front seats. <Ref. to SE-6, REMOVAL, Front Seat.>
- 2) Remove the rear seat cushion. <Ref. to SE-13, REMOVAL, Rear Seat.>
- 3) Remove the console box. <Ref. to EI-39, Console Box.>
- 4) Remove the side sill front cover, side sill rear cover and center pillar lower trim. <Ref. to EI-44, REMOVAL, Lower Inner Trim.>
- 5) Remove the footrest or clips from floor mat.
- 6) Remove the mat hook.
- 7) Remove the mat from toe board area.
- 8) Remove the mat from rear heater duct.
- 9) Roll the mat, and then take it out of opened rear door.



- (A) Vehicle front
(1) Floor mat

B: INSTALLATION

Install in the reverse order of removal.

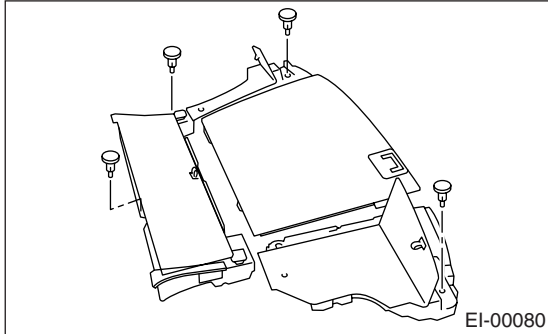
NOTE:

- Secure the mat firmly with hook and Velcro tape.
- Insert the mat edge firmly into the groove of side sill cover.

24. Luggage Floor Mat

A: REMOVAL

- 1) Remove the back mat of rear seat backrest.
- 2) Remove the clips, then detach the rear floor mats and boxes.



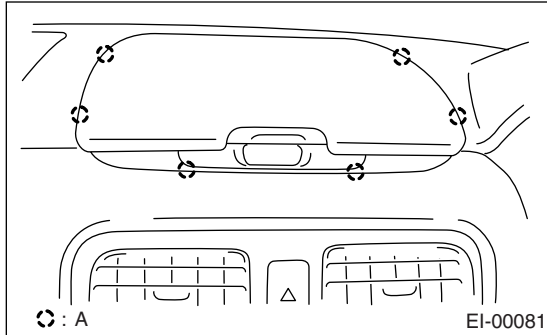
B: INSTALLATION

Install in the reverse order of removal.

25. Instrument Panel Center Compartment

A: REMOVAL

- 1) Disconnect the ground cable from battery.
- 2) Insert a flat tip screwdriver, and then pry up to remove the clips.



(A) Clip

- 3) Remove the instrument panel center compartment from instrument panel.
- 4) Disconnect the connector from clock.

B: INSTALLATION

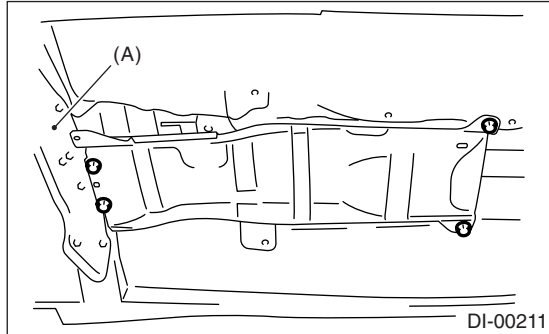
Install in the reverse order of removal.

26. Heat Shield Cover

A: REMOVAL

1. FRONT HEAT SHIELD COVER

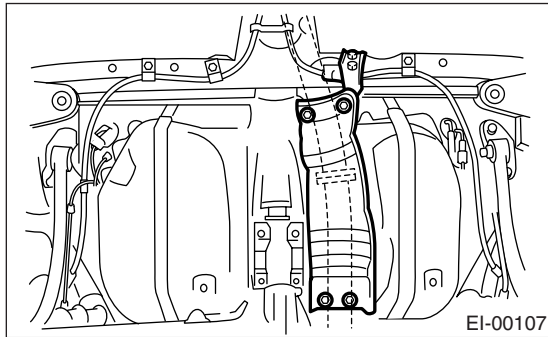
Loosen the four bolts to remove front heat shield cover.



(A) Transmission mount

2. CENTER HEAT SHIELD COVER

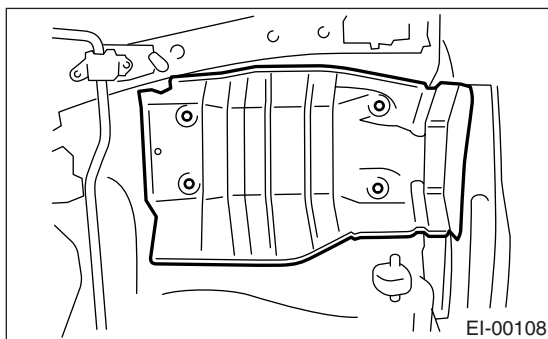
Loosen the four bolts to remove center heat shield cover.



3. REAR HEAT SHIELD COVER

1) Remove the muffler. <Ref. to EX(H4SO)-13, REMOVAL, Muffler.>

2) Loosen the four bolts to remove rear heat shield cover.



B: INSTALLATION

Install in the reverse order of removal.