

# MECHANICAL

# ME(SOHC)

---

	Page
1. General Description.....	2
2. Compression .....	23
3. Idle Speed .....	24
4. Ignition Timing .....	25
5. Intake Manifold Vacuum.....	26
6. Engine Oil Pressure .....	27
7. Fuel Pressure .....	28
8. Valve Clearance .....	29
9. Engine Assembly.....	32
10. Engine Mounting .....	40
11. Preparation for Overhaul.....	41
12. V-belt .....	42
13. Crankshaft Pulley .....	44
14. Belt Cover.....	45
15. Timing Belt Assembly .....	46
16. Camshaft Sprocket.....	51
17. Crankshaft Sprocket.....	53
18. Valve Rocker Assembly.....	54
19. Camshaft .....	56
20. Cylinder Head Assembly .....	60
21. Cylinder Block .....	67
22. Engine Trouble in General .....	87
23. Engine Noise .....	93

# GENERAL DESCRIPTION

Mechanical

## 1. General Description S153001

### A: SPECIFICATIONS S153001E49

Engine	Type		Horizontally opposed, liquid cooled, 4-cylinder, 4-stroke gasoline engine	
	Valve arrangement		Belt driven, single over-head camshaft, 4-valve/cylinder	
	Bore x Stroke		mm (in)	
	Displacement		cm <sup>3</sup> (cu in)	
	Compression ratio		10.0	
	Compression pressure (at 200 — 300 rpm)		kPa (kg/cm <sup>2</sup> , psi)	
	Number of piston rings		Pressure ring: 2, Oil ring: 1	
	Intake valve timing	Opening	4° BTDC	
		Closing	48° ABDC	
	Exhaust valve timing	Opening	48° BBDC	
		Closing	4° ATDC	
	Valve clearance	Intake	mm (in)	0.20±0.02 (0.0079±0.0008)
		Exhaust	mm (in)	0.25±0.02 (0.0098±0.0008)
	Idling speed [At neutral position on MT, or "P" or "N" position on AT]		With OBD	700±100 (No load) 850±100 (A/C switch ON)
			Without OBD	MT: 650±100 (No load) AT: 675±100 (No load) 800±100 (A/C switch ON)
Firing order		1 → 3 → 2 → 4		
Ignition timing		With OBD	10°±10°/700	
		Without OBD	MT: 10°±10°/650 AT: 10°±10°/675	

**NOTE:**

STD: Standard I.D.: Inner Diameter O.D.: Outer Diameter US: Undersize OS: Oversize

Belt tensioner adjuster	Protrusion of adjuster rod		5.2 — 6.2 mm (0.205 — 0.244 in)
Belt tensioner	Spacer O.D.		17.955 — 17.975 mm (0.7069 — 0.7077 in)
	Tensioner bush I.D.		18.00 — 18.08 mm (0.7087 — 0.7118 in)
	Clearance between spacer and bush	STD	0.025 — 0.125 mm (0.0010 — 0.0049 in)
		Limit	0.175 mm (0.0069 in)
	Side clearance of spacer	STD	0.20 — 0.55 mm (0.0079 — 0.0217 in)
Limit		0.81 mm (0.0319 in)	
Valve rocker arm	Clearance between shaft and arm	STD	0.020 — 0.054 mm (0.0008 — 0.0021 in)
		Limit	0.10 mm (0.0039 in)

# GENERAL DESCRIPTION

Mechanical

Camshaft	Bend limit		0.020 mm (0.0008 in)		
	Thrust clearance		STD	0.030 — 0.090 mm (0.0012 — 0.0035 in)	
			Limit	0.11 mm (0.0043 in)	
	Cam lobe height	Intake	STD	38.732 — 38.832 mm (1.5249 — 1.5288 in)	
			Limit	38.632 mm (1.5209 in)	
		Exhaust	STD	39.257 — 39.357 mm (1.5455 — 1.5495 in)	
			Limit	39.157 mm (1.5416 in)	
	Camshaft journal O.D.		31.928 — 31.945 mm (1.2570 — 1.2577 in)		
	Camshaft journal hole I.D.		32.000 — 32.018 mm (1.2598 — 1.2605 in)		
Oil clearance		STD	0.055 — 0.090 mm (0.0022 — 0.0035 in)		
		Limit	0.10 mm (0.0039 in)		
Cylinder head	Surface warpage limit		0.05 mm (0.0020 in)		
	Surface grinding limit		0.1 mm (0.004 in)		
	Standard height		97.5 mm (3.84 in)		
Valve set	Refacing angle		90°		
	Contacting width	Intake	STD	1.0 mm (0.039 in)	
			Limit	1.7 mm (0.067 in)	
		Exhaust	STD	1.4 mm (0.055 in)	
Limit			2.1 mm (0.083 in)		
Valve guide	Inner diameter		6.000 — 6.012 mm (0.2362 — 0.2367 in)		
	Protrusion above head		Intake	20.0 — 20.5 mm (0.787 — 0.807 in)	
			Exhaust	16.5 — 17.0 mm (0.650 — 0.669 in)	
Valve	Head edge thickness	Intake	STD	1.0 mm (0.039 in)	
			Limit	0.6 mm (0.024 in)	
		Exhaust	STD	1.2 mm (0.047 in)	
			Limit	0.6 mm (0.024 in)	
	Stem diameter		Intake	5.950 — 5.965 mm (0.2343 — 0.2348 in)	
			Exhaust	5.945 — 5.960 mm (0.2341 — 0.2346 in)	
	Stem oil clearance	STD	Intake	0.035 — 0.062 mm (0.0014 — 0.0024 in)	
			Exhaust	0.040 — 0.067 mm (0.0016 — 0.0026 in)	
			Limit	—	0.15 mm (0.0059 in)
Overall length		Intake	120.6 mm (4.75 in)		
		Exhaust	121.7 mm (4.79 in)		
Valve spring	Free length		54.30 mm (2.1378 in)		
	Squareness		2.5°, 2.4 mm (0.094 in)		
	Tension/spring height		218.7 — 242.5 N (22.3 — 24.7 kgf, 49.2 — 54.5 lb)/ 45.0 mm (1.772 in) 526.6 — 581.6 N (53.7 — 59.3 kgf, 118.4 — 130.8 lb)/34.7 mm (1.366 in)		
Cylinder block	Surface warpage limit (mating with cylinder head)		0.05 mm (0.0020 in)		
	Surface grinding limit		0.1 mm (0.004 in)		
	Cylinder bore	STD	A	92.005 — 92.015 mm (3.6222 — 3.6226 in)	
			B	91.995 — 92.005 mm (3.6218 — 3.6222 in)	
	Taper		STD	0.015 mm (0.0006 in)	
			Limit	0.050 mm (0.0020 in)	
	Out-of-roundness		STD	0.010 mm (0.0004 in)	
			Limit	0.050 mm (0.0020 in)	
	Piston clearance		STD	0.010 — 0.030 mm (0.0004 — 0.0012 in)	
Limit			0.050 mm (0.0020 in)		
Enlarging (boring) limit		0.5 mm (0.020 in)			

# GENERAL DESCRIPTION

Mechanical

Piston	Outer diameter	STD	A	91.985 — 91.995 mm (3.6214 — 3.6218 in)	
			B	91.975 — 91.985 mm (3.6211 — 3.6214 in)	
		0.25 mm (0.0098 in) OS		92.225 — 92.235 mm (3.6309 — 3.6313 in)	
		0.50 mm (0.0197 in) OS		92.475 — 92.485 mm (3.6407 — 3.6411 in)	
Standard inner diameter of piston pin hole			23.000 — 23.006 mm (0.9055 — 0.9057 in)		
Piston pin	Outer diameter			22.994 — 23.000 mm (0.9053 — 0.9055 in)	
	Standard clearance between piston pin and hole in piston			0.004 — 0.008 mm (0.0002 — 0.0003 in)	
	Degree of fit			Piston pin must be fitted into position with thumb at 20°C (68°F).	
Piston ring	Piston ring gap	Top ring	STD	0.20 — 0.35 mm (0.0079 — 0.0138 in)	
			Limit	1.0 mm (0.039 in)	
		Second ring	STD	0.35 — 0.50 mm (0.0138 — 0.0197 in)	
			Limit	1.0 mm (0.039 in)	
		Oil ring	STD	0.20 — 0.70 mm (0.0079 — 0.0276 in)	
			Limit	1.5 mm (0.059 in)	
	Clearance between piston ring and piston ring groove	Top ring	STD	0.040 — 0.080 mm (0.0016 — 0.0031 in)	
			Limit	0.15 mm (0.0059 in)	
Second ring		STD	0.030 — 0.070 mm (0.0012 — 0.0028 in)		
		Limit	0.15 mm (0.0059 in)		
Connecting rod	Bend twist per 100 mm (3.94 in) in length	Limit		0.10 mm (0.0039 in)	
		Side clearance	STD	0.070 — 0.330 mm (0.0028 — 0.0130 in)	
	Limit		0.4 mm (0.016 in)		
	Connecting rod bearing	Oil clearance	STD		0.010 — 0.038 mm (0.0004 — 0.0015 in)
Limit			0.05 mm (0.0020 in)		
Thickness at center portion		STD		1.492 — 1.501 mm (0.0587 — 0.0591 in)	
		0.03 mm (0.0012 in) US		1.510 — 1.513 mm (0.0594 — 0.0596 in)	
		0.05 mm (0.0020 in) US		1.520 — 1.523 mm (0.0598 — 0.0600 in)	
		0.25 mm (0.0098 in) US		1.620 — 1.623 mm (0.0638 — 0.0639 in)	
Connecting rod bushing	Clearance between piston pin and bushing	STD		0 — 0.022 mm (0 — 0.0009 in)	
		Limit		0.030 mm (0.0012 in)	
Crankshaft	Bend limit			0.035 mm (0.0014 in)	
	Crank pin and crank journal	Out-of-roundness			0.020 mm (0.0008 in) or less
		Grinding limit			0.250 mm (0.0098 in)
	Crank pin outer diameter		STD		51.984 — 52.000 mm (2.0466 — 2.0472 in)
			0.03 mm (0.0012 in) US		51.954 — 51.970 mm (2.0454 — 2.0461 in)
			0.05 mm (0.0020 in) US		51.934 — 51.950 mm (2.0446 — 2.0453 in)
			0.25 mm (0.0098 in) US		51.734 — 51.750 mm (2.0368 — 2.0374 in)
	Crank journal outer diameter	#1, #3	STD		59.992 — 60.008 mm (2.3619 — 2.3625 in)
			0.03 mm (0.0012 in) US		59.962 — 59.978 mm (2.3607 — 2.3613 in)
			0.05 mm (0.0020 in) US		59.942 — 59.958 mm (2.3599 — 2.3605 in)
			0.25 mm (0.0098 in) US		59.742 — 59.758 mm (2.3520 — 2.3527 in)
		#2, #4, #5	STD		59.992 — 60.008 mm (2.3619 — 2.3625 in)
			0.03 mm (0.0012 in) US		59.962 — 59.978 mm (2.3607 — 2.3613 in)
			0.05 mm (0.0020 in) US		59.942 — 59.958 mm (2.3599 — 2.3605 in)
			0.25 mm (0.0098 in) US		59.742 — 59.758 mm (2.3520 — 2.3527 in)
	Thrust clearance		STD		0.030 — 0.115 mm (0.0012 — 0.0045 in)
Limit			0.25 mm (0.0098 in)		
Oil clearance		STD		0.010 — 0.030 mm (0.0004 — 0.0012 in)	
		Limit		0.040 mm (0.0016 in)	

**ME(SOHC)-4**

# GENERAL DESCRIPTION

Mechanical

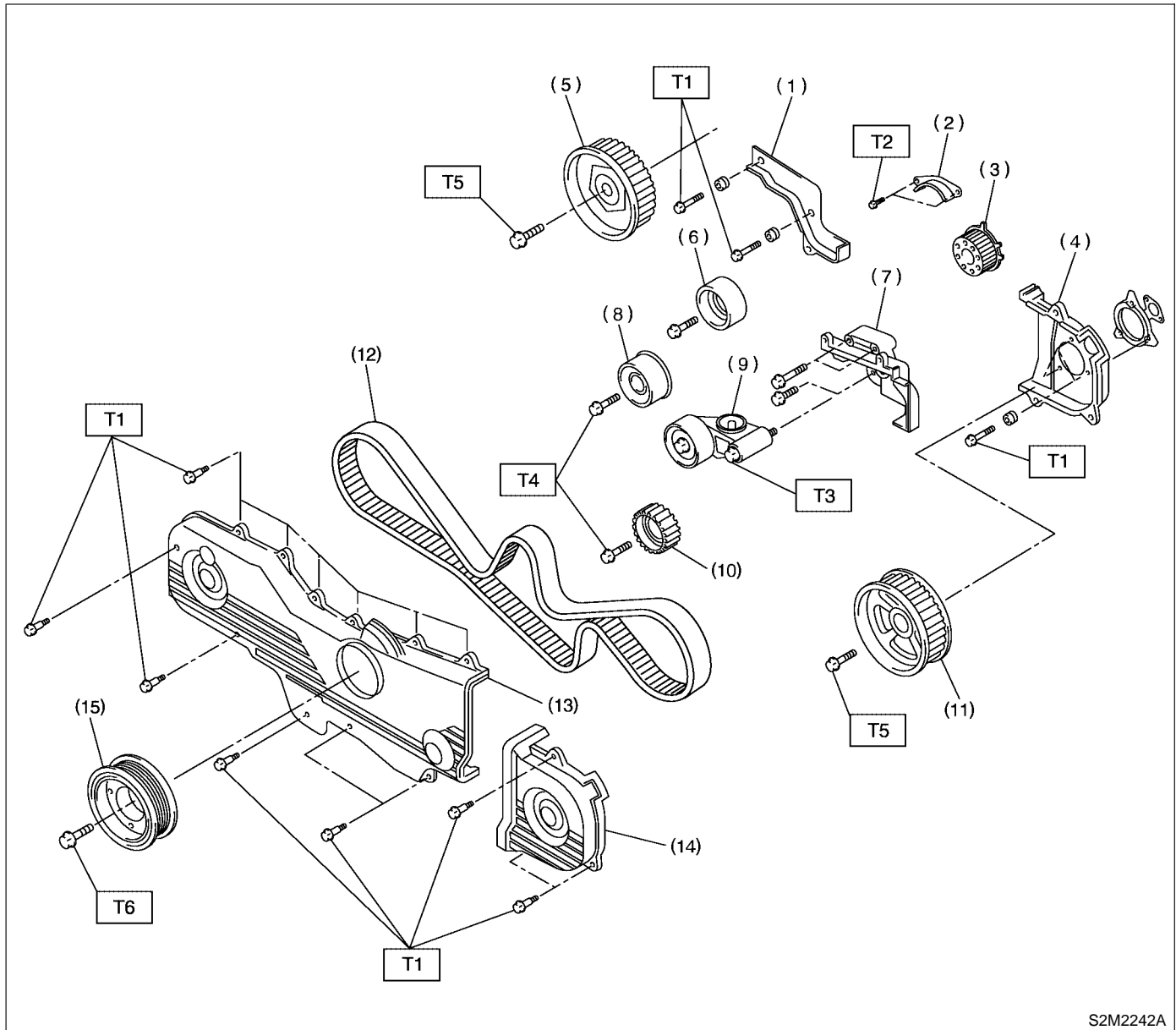
Crankshaft bearing	Crankshaft bearing thickness	#1, #3	STD	1.998 — 2.011 mm (0.0787 — 0.0792 in)
			0.03 mm (0.0012 in) US	2.017 — 2.020 mm (0.0794 — 0.0795 in)
			0.05 mm (0.0020 in) US	2.027 — 2.030 mm (0.0798 — 0.0799 in)
			0.25 mm (0.0098 in) US	2.127 — 2.130 mm (0.0837 — 0.0839 in)
		#2, #4, #5	STD	2.000 — 2.013 mm (0.0787 — 0.0793 in)
			0.03 mm (0.0012 in) US	2.019 — 2.022 mm (0.0795 — 0.0796 in)
			0.05 mm (0.0020 in) US	2.029 — 2.032 mm (0.0799 — 0.0800 in)
			0.25 mm (0.0098 in) US	2.129 — 2.132 mm (0.0838 — 0.0839 in)

# GENERAL DESCRIPTION

Mechanical

## B: COMPONENT S153001A05

### 1. TIMING BELT S153001A0501



S2M2242A

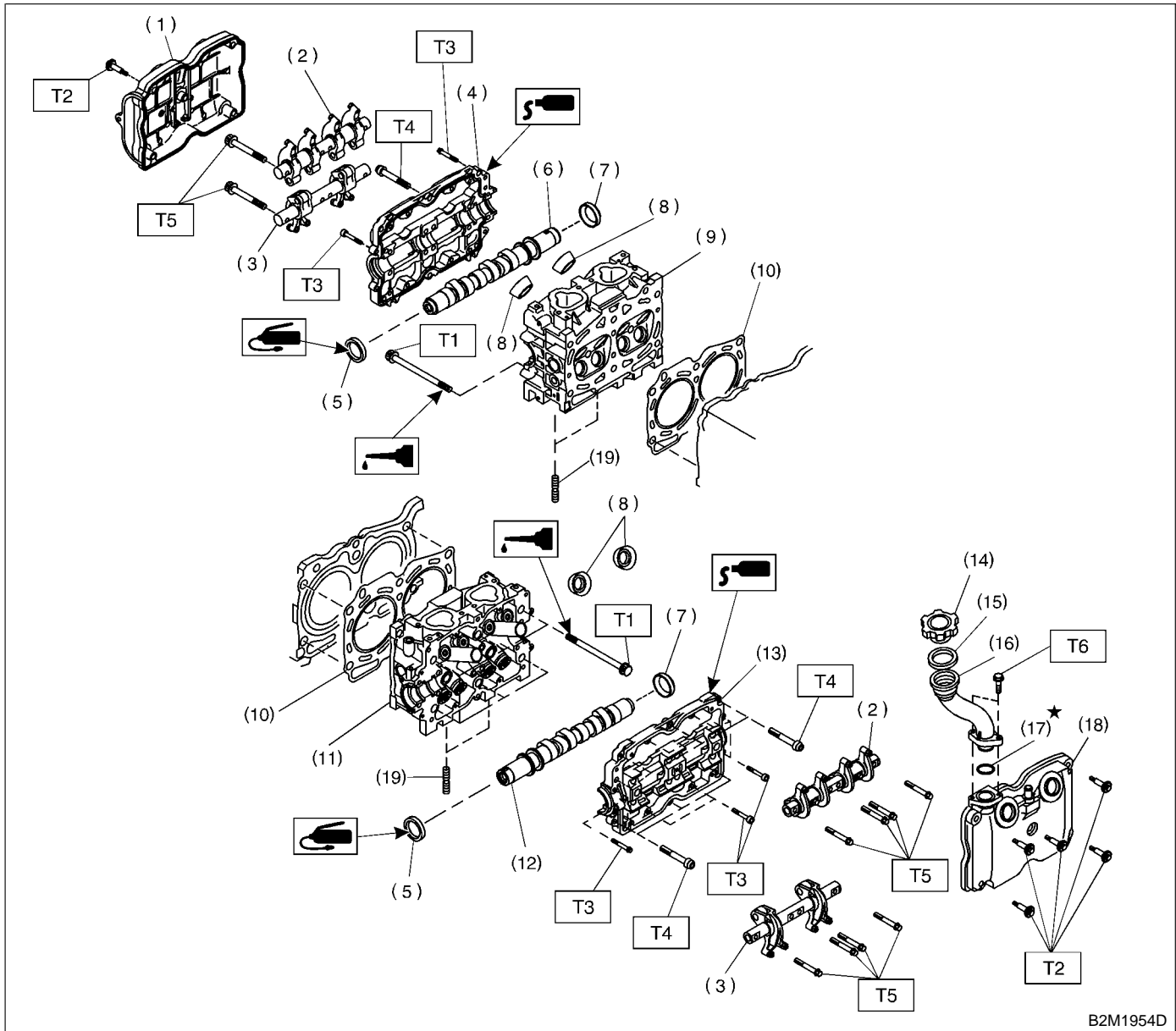
- |  |  |
|--|--|
| (1) Belt cover No. 2 (RH)                | (9) Automatic belt tension adjuster ASSY |
| (2) Timing belt guide (MT vehicles only) | (10) Belt idler No. 2                    |
| (3) Crankshaft sprocket                  | (11) Camshaft sprocket No. 2             |
| (4) Belt cover No. 2 (LH)                | (12) Timing belt                         |
| (5) Camshaft sprocket No. 1              | (13) Front belt cover                    |
| (6) Belt idler (No. 1)                   | (14) Belt cover (LH)                     |
| (7) Tensioner bracket                    | (15) Crankshaft pulley                   |
| (8) Belt idler (No. 2)                   |  |

#### **Tightening torque: N·m (kgf·m, ft·lb)**

- |                           |
|---------------------------|
| <b>T1: 5 (0.5, 3.6)</b>   |
| <b>T2: 9.8 (1.0, 7.2)</b> |
| <b>T3: 25 (2.5, 18.1)</b> |
| <b>T4: 39 (4.0, 28.9)</b> |
| <b>T5: 78 (8.0, 57.9)</b> |
| <b>T6: 127 (13.0, 94)</b> |

## 2. CYLINDER HEAD AND CAMSHAFT

S153001A0502



B2M1954D

- |                               |                         |
|-------------------------------|-------------------------|
| (1) Rocker cover (RH)         | (11) Cylinder head (LH) |
| (2) Intake valve rocker ASSY  | (12) Camshaft (LH)      |
| (3) Exhaust valve rocker ASSY | (13) Camshaft cap (LH)  |
| (4) Camshaft cap (RH)         | (14) Oil filler cap     |
| (5) Oil seal                  | (15) Gasket             |
| (6) Camshaft (RH)             | (16) Oil filler pipe    |
| (7) Plug                      | (17) O-ring             |
| (8) Spark plug pipe gasket    | (18) Rocker cover (LH)  |
| (9) Cylinder head (RH)        | (19) Stud bolt          |
| (10) Cylinder head gasket     |                         |

**Tightening torque: N·m (kgf·m, ft·lb)**

**T1: <Ref. to ME(SOHC)-60, INSTALLATION, Cylinder Head Assembly.>**

**T2: 5 (0.5, 3.6)**

**T3: 10 (1.0, 7.2)**

**T4: 18 (1.8, 13.0)**

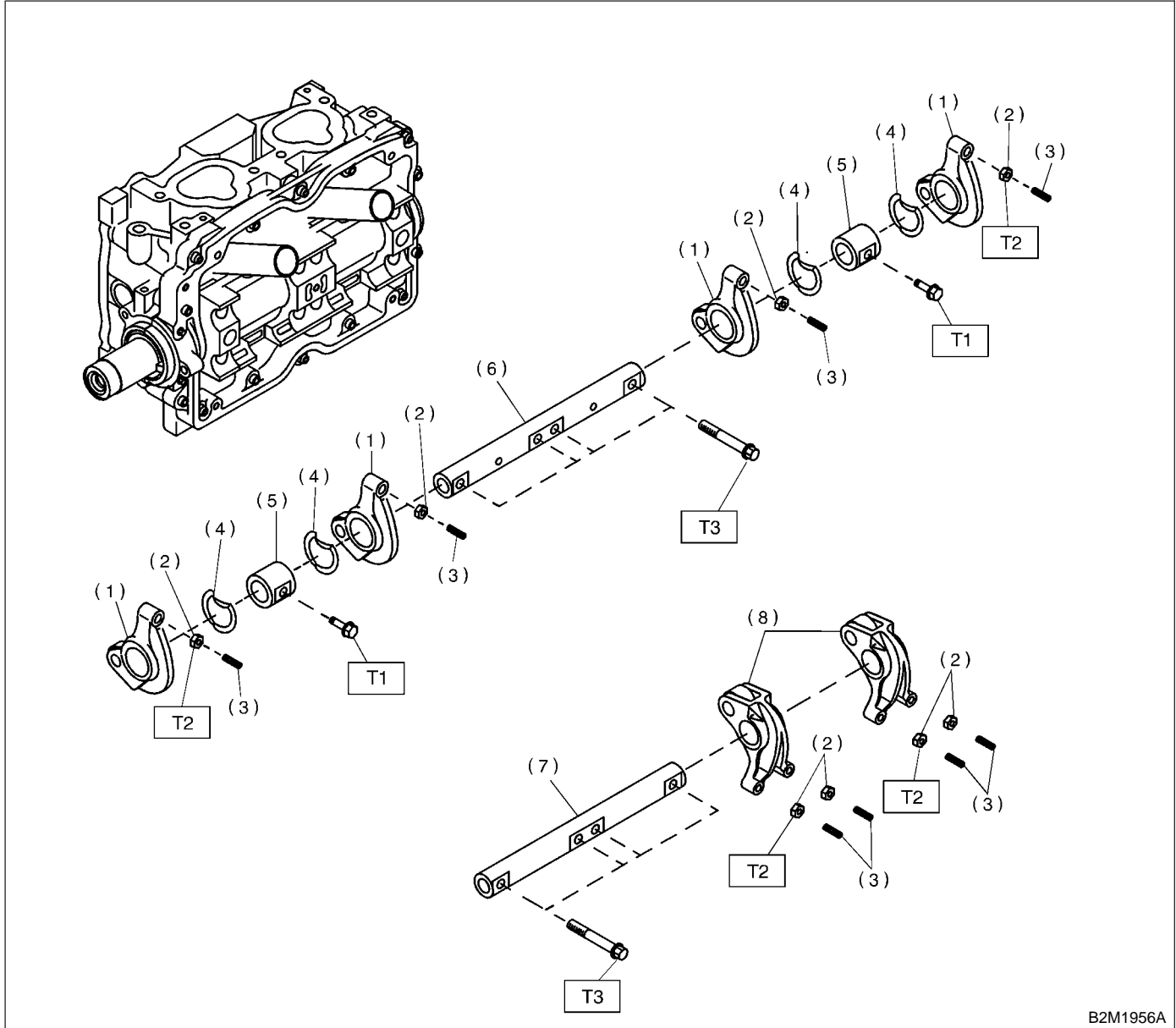
**T5: 25 (2.5, 18.1)**

**T6: 6.4 (0.65, 4.7)**

# GENERAL DESCRIPTION

Mechanical

## 3. VALVE ROCKER ASSEMBLY S153001A0503



B2M1956A

- |                               |                              |
|-------------------------------|------------------------------|
| (1) Intake valve rocker arm   | (6) Intake rocker shaft      |
| (2) Valve rocker nut          | (7) Exhaust rocker shaft     |
| (3) Valve rocker adjust screw | (8) Exhaust valve rocker arm |
| (4) Spring                    |                              |
| (5) Rocker shaft support      |                              |

**Tightening torque: N·m (kgf·m, ft·lb)**

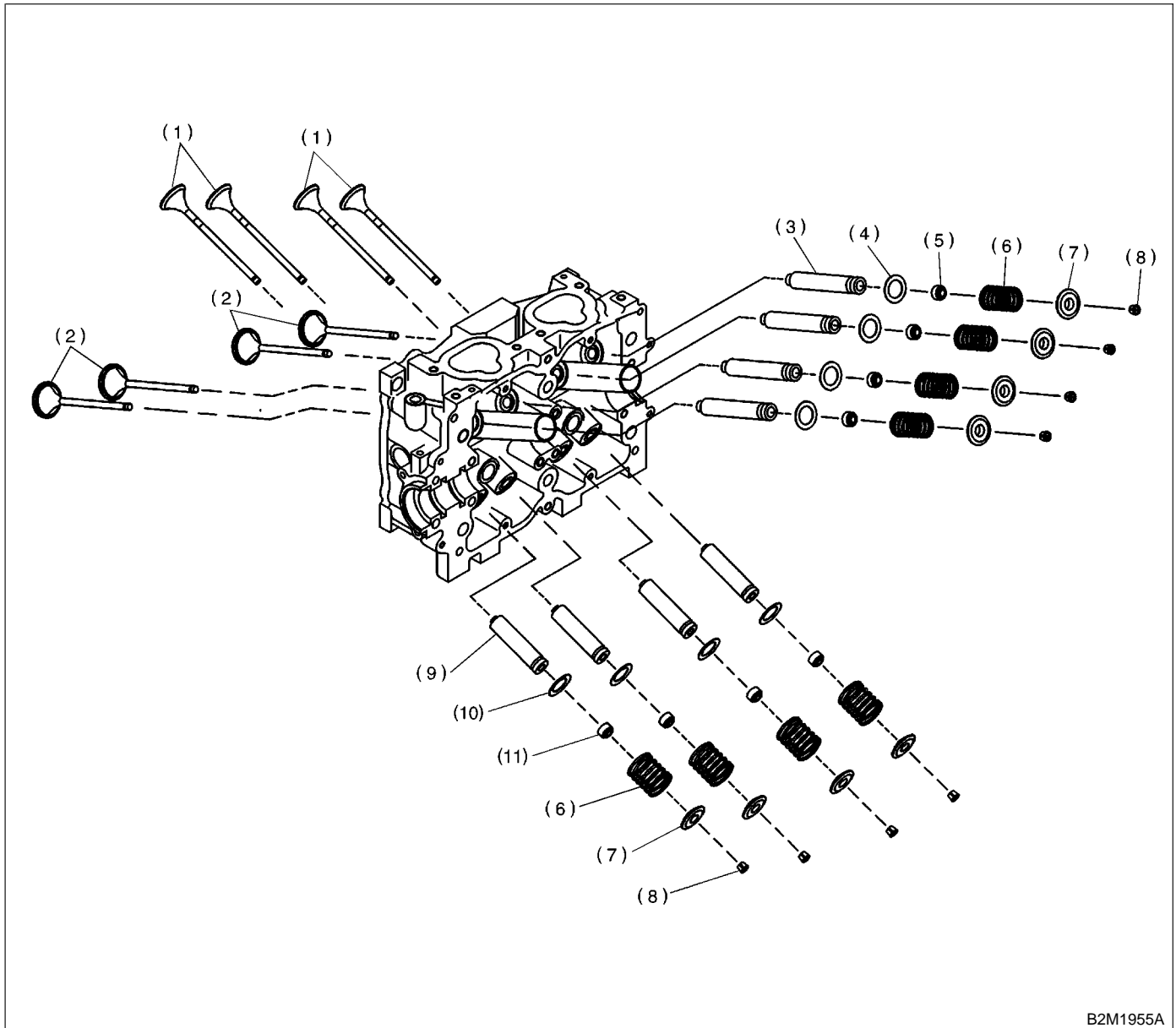
**T1: 5 (0.5, 3.6)**

**T2: 10 (1.0, 7.2)**

**T3: 25 (2.5, 18.1)**



## 4. CYLINDER HEAD AND VALVE ASSEMBLY S153001A0504

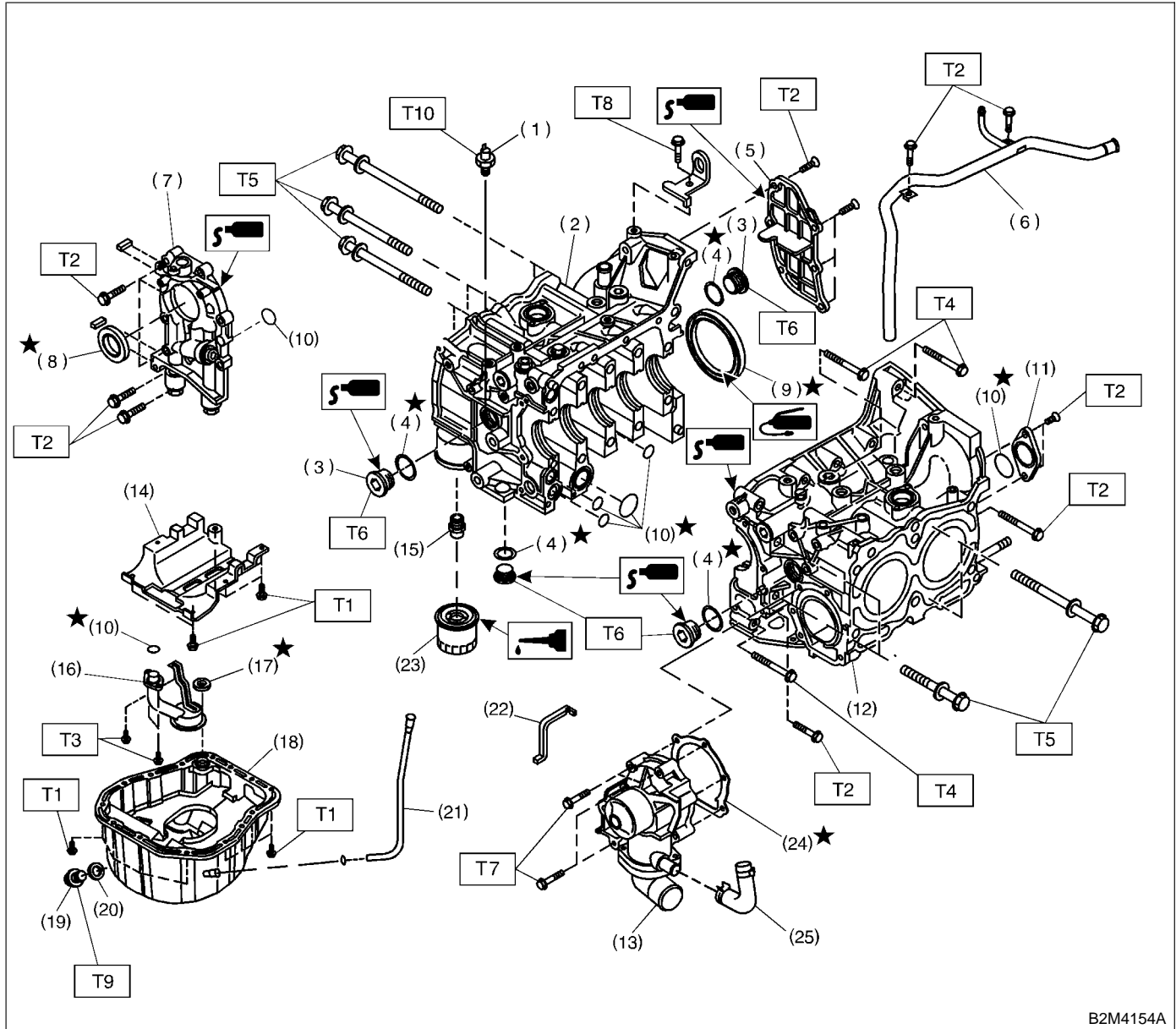


- |                              |                           |                                |
|------------------------------|---------------------------|--------------------------------|
| (1) Exhaust valve            | (5) Intake valve oil seal | (9) Exhaust valve guide        |
| (2) Intake valve             | (6) Valve spring          | (10) Exhaust valve spring seat |
| (3) Intake valve guide       | (7) Retainer              | (11) Exhaust valve oil seal    |
| (4) Intake valve spring seat | (8) Retainer key          |                                |

# GENERAL DESCRIPTION

Mechanical

## 5. CYLINDER BLOCK S153001A0505



B2M4154A

- |                          |                            |
|--------------------------|----------------------------|
| (1) Oil pressure switch  | (14) Baffle plate          |
| (2) Cylinder block (RH)  | (15) Oil filter connector  |
| (3) Service hole plug    | (16) Oil strainer          |
| (4) Gasket               | (17) Gasket                |
| (5) Oil separator cover  | (18) Oil pan               |
| (6) Water by-pass pipe   | (19) Drain plug            |
| (7) Oil pump             | (20) Metal gasket          |
| (8) Front oil seal       | (21) Oil level gauge guide |
| (9) Rear oil seal        | (22) Water pump sealing    |
| (10) O-ring              | (23) Oil filter            |
| (11) Service hole cover  | (24) Gasket                |
| (12) Cylinder block (LH) | (25) Water pump hose       |
| (13) Water pump          |                            |

### **Tightening torque: N·m (kgf·m, ft·lb)**

- |                                |
|--------------------------------|
| <b>T1: 5 (0.5, 3.6)</b>        |
| <b>T2: 6.4 (0.65, 4.7)</b>     |
| <b>T3: 10 (1.0, 7)</b>         |
| <b>T4: 25 (2.5, 18.1)</b>      |
| <b>T5: 47 (4.8, 34.7)</b>      |
| <b>T6: 69 (7.0, 50.6)</b>      |
| <b>T7: First 12 (1.2, 8.7)</b> |
| <b>Second 12 (1.2, 8.7)</b>    |
| <b>T8: 16 (1.6, 11.6)</b>      |
| <b>T9: 44 (4.5, 33)</b>        |
| <b>T10: 25 (2.5, 18.1)</b>     |

# GENERAL DESCRIPTION

Mechanical

---

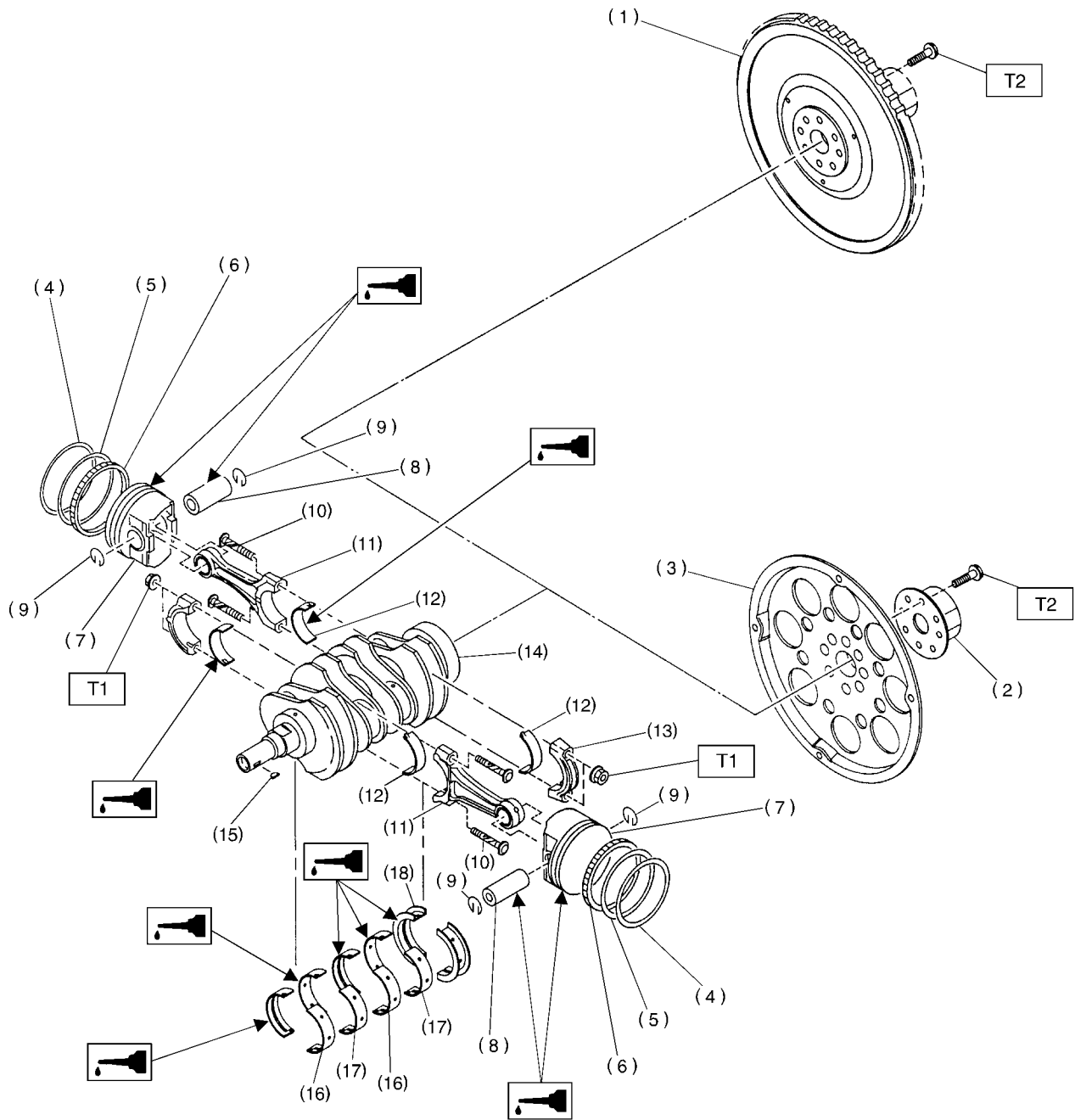
**MEMO:**

**ME(SOHC)-11**

# GENERAL DESCRIPTION

Mechanical

## 6. CRANKSHAFT AND PISTON S153001A0506



B2M3429A

ME(SOHC)-12

# GENERAL DESCRIPTION

Mechanical

- 
- |                        |                                |
|------------------------|--------------------------------|
| (1) Flywheel (MT)      | (9) Circlip                    |
| (2) Reinforcement (AT) | (10) Connecting rod bolt       |
| (3) Drive plate (AT)   | (11) Connecting rod            |
| (4) Top ring           | (12) Connecting rod bearing    |
| (5) Second ring        | (13) Connecting rod cap        |
| (6) Oil ring           | (14) Crankshaft                |
| (7) Piston             | (15) Woodruff key              |
| (8) Piston pin         | (16) Crankshaft bearing #1, #3 |

- |                                |
|--------------------------------|
| (17) Crankshaft bearing #2, #4 |
| (18) Crankshaft bearing #5     |

---

***Tightening torque: N·m (kgf-m, ft-lb)***

***T1: 44.6 (4.55, 32.9)***

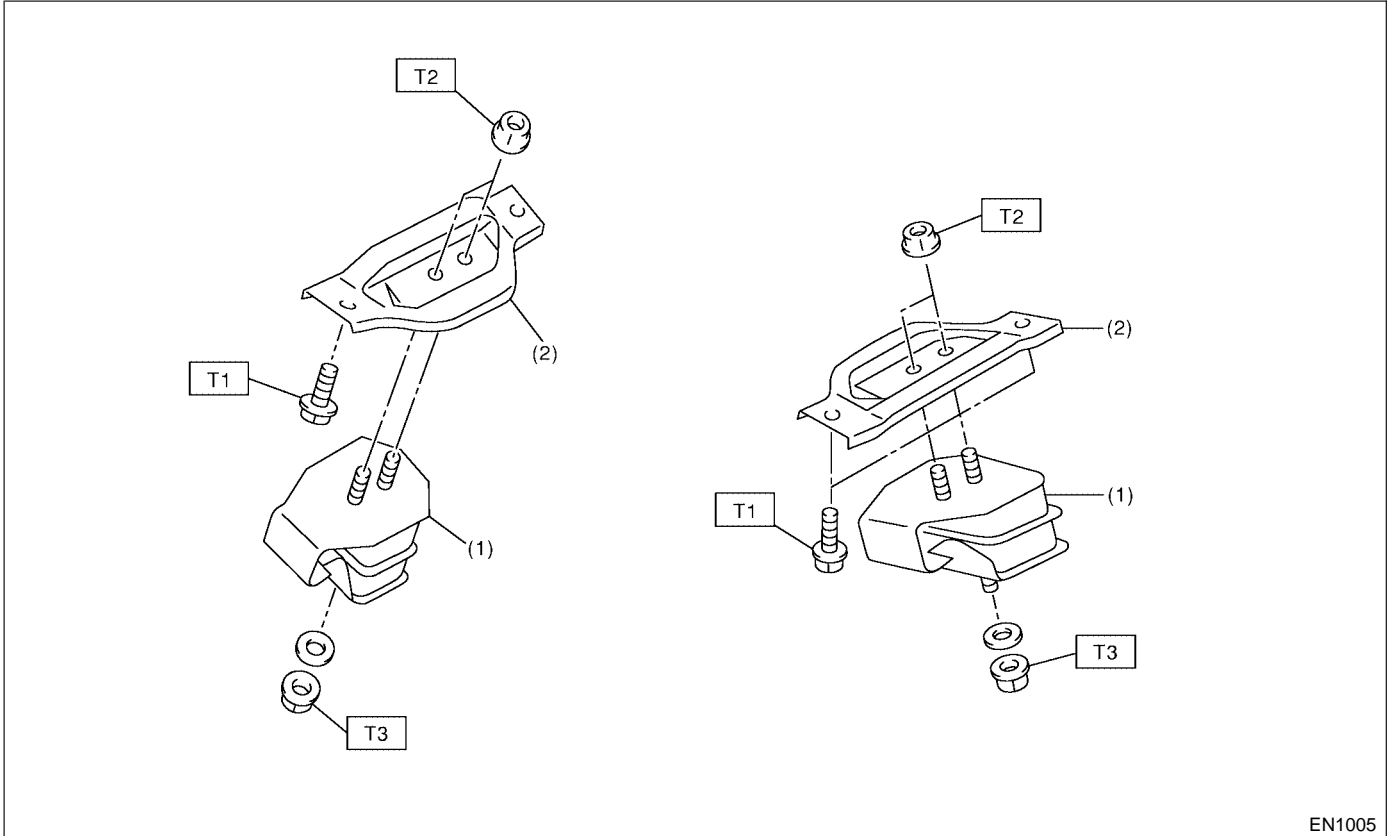
***T2: 72 (7.3, 52.8)***

---

# GENERAL DESCRIPTION

Mechanical

## 7. ENGINE MOUNTING S153001A0507



EN1005

- (1) Front cushion rubber
- (2) Front engine mounting bracket

**Tightening torque: N·m (kgf·m, ft·lb)**

**T1: 35 (3.6, 25.8)**

**T2: 42 (4.2, 31.0)**

**T3: 85 (8.7, 63)**

### C: CAUTION S153001A03

- Wear working clothing, including a cap, protective goggles, and protective shoes during operation.
- Remove contamination including dirt and corrosion before removal, installation or disassembly.
- Keep the disassembled parts in order and protect them from dust or dirt.
- Before removal, installation or disassembly, be sure to clarify the failure. Avoid unnecessary removal, installation, disassembly, and replacement.
- Be careful not to burn your hands, because each part in the vehicle is hot after running.
- Be sure to tighten fasteners including bolts and nuts to the specified torque.
- Place shop jacks or safety stands at the specified points.
- Before disconnecting electrical connectors of sensors or units, be sure to disconnect negative terminal from battery.

- All parts should be thoroughly cleaned, paying special attention to the engine oil passages, pistons and bearings.
- Rotating parts and sliding parts such as piston, bearing and gear should be coated with oil prior to assembly.
- Be careful not to let oil, grease or coolant contact the timing belt, clutch disc and flywheel.
- All removed parts, if to be reused, should be reinstalled in the original positions and directions.
- Bolts, nuts and washers should be replaced with new ones as required.
- Even if necessary inspections have been made in advance, proceed with assembly work while making rechecks.
- Remove or install engine in an area where chain hoists, lifting devices, etc. are available for ready use.
- Be sure not to damage coated surfaces of body panels with tools or stain seats and windows with coolant or oil. Place a cover over fenders, as required, for protection.
- Prior to starting work, prepare the following:

**ME(SOHC)-14**

# GENERAL DESCRIPTION

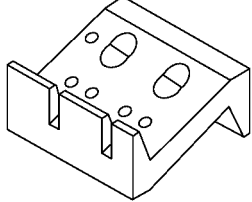
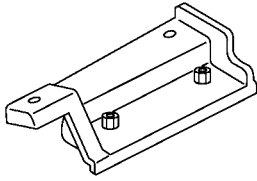
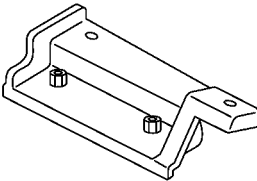
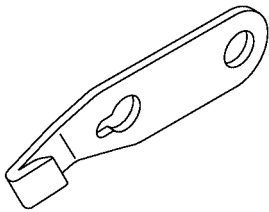
Mechanical

Service tools, clean cloth, containers to catch coolant and oil, wire ropes, chain hoist, transmission jacks, etc.

- Lift-up or lower the vehicle when necessary. Make sure to support the correct positions.

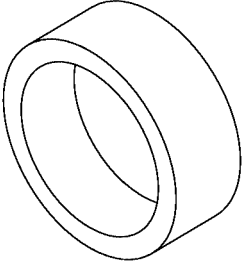
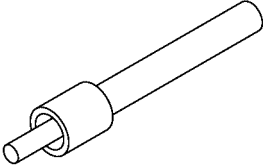
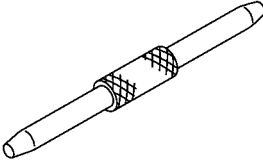
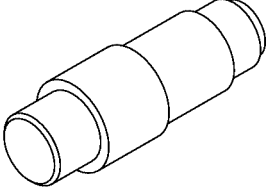
## D: PREPARATION TOOL S153001A17

### 1. SPECIAL TOOLS S153001A1701

ILLUSTRATION	TOOL NUMBER	DESCRIPTION	REMARKS
 <p>B2M3850</p>	498267800	CYLINDER HEAD TABLE	<ul style="list-style-type: none"> <li>● Used for replacing valve guides.</li> <li>● Used for removing and installing valve springs.</li> </ul>
 <p>B2M3851</p>	498457000	ENGINE STAND ADAPTER RH	Used with ENGINE STAND (499817000).
 <p>B2M3852</p>	498457100	ENGINE STAND ADAPTER LH	Used with ENGINE STAND (499817000).
 <p>B2M3853</p>	498497100	CRANKSHAFT STOPPER	Used for stopping rotation of flywheel when loosening and tightening crankshaft pulley bolt, etc.

# GENERAL DESCRIPTION

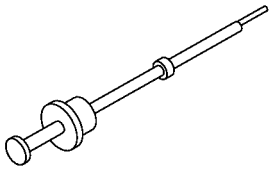
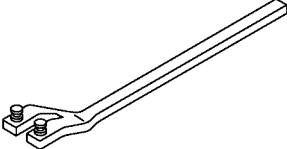
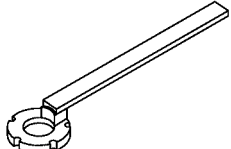
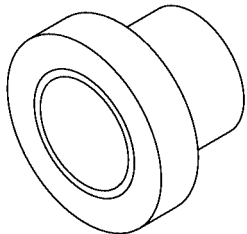
Mechanical

ILLUSTRATION	TOOL NUMBER	DESCRIPTION	REMARKS
 <p style="text-align: center;">B2M3854</p>	498747100	PISTON GUIDE	Used for installing piston in cylinder.
 <p style="text-align: center;">B2M3855</p>	498857100	VALVE OIL SEAL GUIDE	Used for press-fitting of intake and exhaust valve guide oil seals.
 <p style="text-align: center;">B2M3856</p>	499017100	PISTON PIN GUIDE	Used for installing piston pin, piston and connecting rod.
 <p style="text-align: center;">B2M3857</p>	499037100	CONNECTING ROD BUSHING REMOVER & INSTALLER	Used for removing and installing connecting rod bushing.



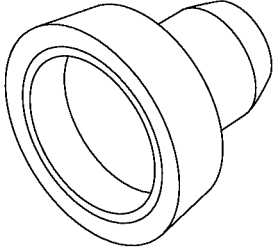
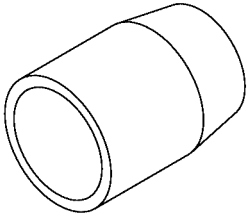
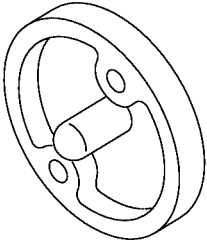
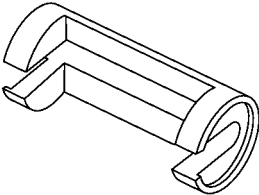
# GENERAL DESCRIPTION

Mechanical

ILLUSTRATION	TOOL NUMBER	DESCRIPTION	REMARKS
 <p style="text-align: center;">B2M3858</p>	499097700	PISTON PIN REMOVER ASSY	Used for removing piston pin.
 <p style="text-align: center;">B2M3859</p>	499207100	CAMSHAFT SPROCKET WRENCH	Used for removing and installing camshaft sprocket. (LH side)
 <p style="text-align: center;">B2M4158</p>	499207400	CAMSHAFT SPROCKET WRENCH	Used for removing and installing camshaft sprocket. (RH side)
 <p style="text-align: center;">B2M3860</p>	499587700	CAMSHAFT OIL SEAL INSTALLER	Used for installing cylinder head plug.

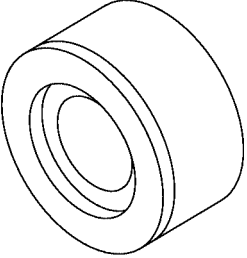
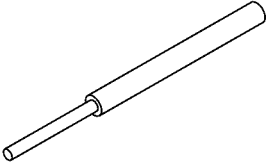
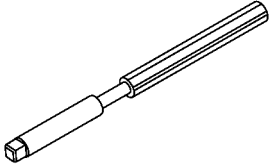
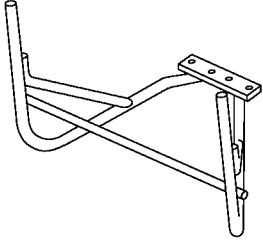
# GENERAL DESCRIPTION

Mechanical

ILLUSTRATION	TOOL NUMBER	DESCRIPTION	REMARKS
 <p style="text-align: right;">B2M3861</p>	499587200	CRANKSHAFT OIL SEAL INSTALLER	<ul style="list-style-type: none"> <li>● Used for installing crankshaft oil seal.</li> <li>● Used with CRANKSHAFT OIL SEAL GUIDE (499597100).</li> </ul>
 <p style="text-align: right;">B2M3862</p>	499597000	OIL SEAL GUIDE	<ul style="list-style-type: none"> <li>● Used for installing camshaft oil seal.</li> <li>● Used with CAMSHAFT OIL SEAL INSTALLER (499587100).</li> </ul>
 <p style="text-align: right;">B2M3863</p>	499597100	CRANKSHAFT OIL SEAL GUIDE	<ul style="list-style-type: none"> <li>● Used for installing crankshaft oil seal.</li> <li>● Used with CRANKSHAFT OIL SEAL INSTALLER (499587200).</li> </ul>
 <p style="text-align: right;">B2M3864</p>	499718000	VALVE SPRING REMOVER	Used for removing and installing valve spring.

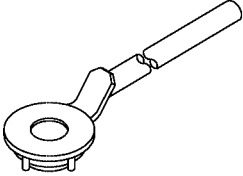
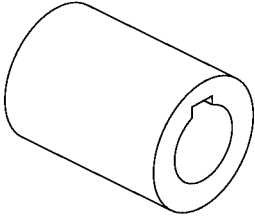
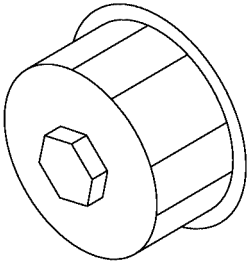
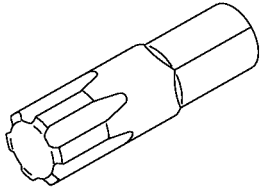
# GENERAL DESCRIPTION

Mechanical

ILLUSTRATION	TOOL NUMBER	DESCRIPTION	REMARKS
 <p style="text-align: center;">B2M3865</p>	<p>499767700 (Intake side) 499767800 (Exhaust side)</p>	<p>VALVE GUIDE ADJUSTER</p>	<p>Used for installing valve guides.</p>
 <p style="text-align: center;">B2M3867</p>	<p>499767200</p>	<p>VALVE GUIDE REMOVER</p>	<p>Used for removing valve guides.</p>
 <p style="text-align: center;">B2M3868</p>	<p>499767400</p>	<p>VALVE GUIDE REAMER</p>	<p>Used for reaming valve guides.</p>
 <p style="text-align: center;">B2M3869</p>	<p>499817100</p>	<p>ENGINE STAND</p>	<ul style="list-style-type: none"> <li>● Stand used for engine disassembly and assembly.</li> <li>● Used with ENGINE STAND ADAPTER RH (498457000) &amp; LH (498457100).</li> </ul>

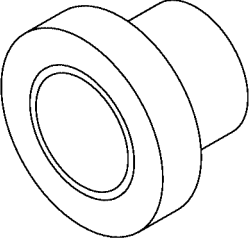
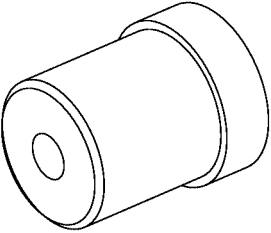
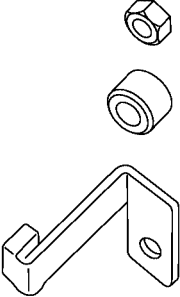
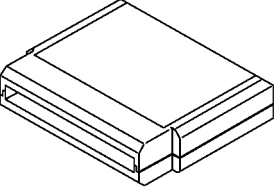
# GENERAL DESCRIPTION

Mechanical

ILLUSTRATION	TOOL NUMBER	DESCRIPTION	REMARKS
 <p style="text-align: center;">B2M4157</p>	499977300	CRANK PULLEY WRENCH	Used for stopping rotation of crankshaft pulley when loosening and tightening crankshaft pulley bolts.
 <p style="text-align: center;">B2M3871</p>	499987500	CRANKSHAFT SOCKET	Used for rotating crankshaft.
 <p style="text-align: center;">B2M3872</p>	498547000	OIL FILTER WRENCH	Used for removing and installing oil filter.
 <p style="text-align: center;">B2M3873</p>	499497000	TORX PLUS	Used for removing and installing camshaft cap.


# GENERAL DESCRIPTION

Mechanical

ILLUSTRATION	TOOL NUMBER	DESCRIPTION	REMARKS
 <p style="text-align: center;">B2M3874</p>	499587500	OIL SEAL INSTALLER	Used for installing front camshaft oil seal.
 <p style="text-align: center;">B2M3875</p>	499587100	OIL SEAL INSTALLER	Used for installing oil pump oil seal.
 <p style="text-align: center;">B3M2043</p>	498277200	STOPPER SET	Used for installing automatic transmission assembly to engine.
 <p style="text-align: center;">B2M3876</p>	24082AA150 (Newly adopted tool)	CARTRIDGE	Troubleshooting for electrical systems.

# GENERAL DESCRIPTION

Mechanical

ILLUSTRATION	TOOL NUMBER	DESCRIPTION	REMARKS
 B2M3877	22771AA030	SELECT MONITOR KIT	Troubleshooting for electrical systems. <ul style="list-style-type: none"><li>● English: 22771AA030 (Without printer)</li><li>● German: 22771AA070 (Without printer)</li><li>● French: 22771AA080 (Without printer)</li><li>● Spanish: 22771AA090 (Without printer)</li></ul>

## 2. GENERAL PURPOSE TOOLS S153001A1702

TOOL NAME	REMARKS
Compression Gauge	Used for measuring compression.
Tachometer (Secondary pick-up type)	Used for measuring idle speed.
Timing Light	Used for measuring ignition timing.

## E: PROCEDURE S153001E45

It is possible to conduct the following service procedures with engine on the vehicle, however, the procedures described in this section are based on the condition that the engine is removed from the vehicle.

- V-belt
- Timing Belt
- Valve Rocker Assembly
- Camshaft
- Cylinder Head

## 2. Compression S153081

### A: INSPECTION S153081A10

**CAUTION:**

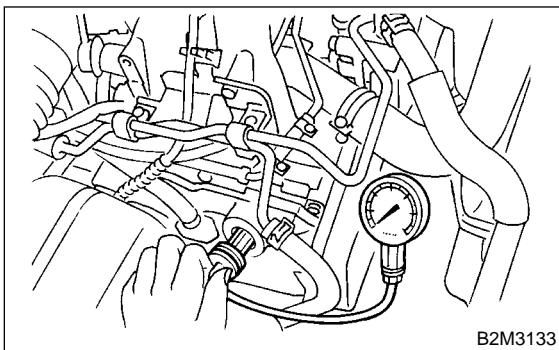
After warming-up, engine becomes very hot. Be careful not to burn yourself during measurement.

- 1) After warming-up the engine, turn ignition switch to OFF.
- 2) Make sure that the battery is fully charged.
- 3) Release fuel pressure. <Ref. to FU(SOHC)-52, RELEASING OF FUEL PRESSURE, OPERATION, Fuel.> or <Ref. to FU(SOHCw/oOBD)-41, RELEASING OF FUEL PRESSURE, OPERATION, Fuel.>
- 4) Remove all the spark plugs. <Ref. to IG(SOHC)-4, REMOVAL, Spark Plug.> or <Ref. to IG(SOHCw/oOBD)-5, REMOVAL, Spark Plug.>
- 5) Fully open throttle valve.
- 6) Check the starter motor for satisfactory performance and operation.
- 7) Hold the compression gauge tight against the spark plug hole.

**CAUTION:**

When using a screw-in type compression gauge, the screw (put into cylinder head spark plug hole) should be less than 18 mm (0.71 in) long.

- 8) Crank the engine by means of the starter motor, and read the maximum value on the gauge when the pointer is steady.



- 9) Perform at least two measurements per cylinder, and make sure that the values are correct.

**Compression (350 rpm and fully open throttle):**

**Standard;**

1,275 kPa (13.0 kg/cm<sup>2</sup>, 185 psi)

**Limit;**

1,020 kPa (10.4 kg/cm<sup>2</sup>, 148 psi)

**Difference between cylinders;**

49 kPa (0.5 kg/cm<sup>2</sup>, 7 psi), or less

## 3. Idle Speed S153082

### A: INSPECTION S153082A10

1) Before checking idle speed, check the following:

(1) Ensure that air cleaner element is free from clogging, ignition timing is correct, spark plugs are in good condition, and that hoses are connected properly.

(2) Ensure that malfunction indicator light (CHECK ENGINE light) does not illuminate.

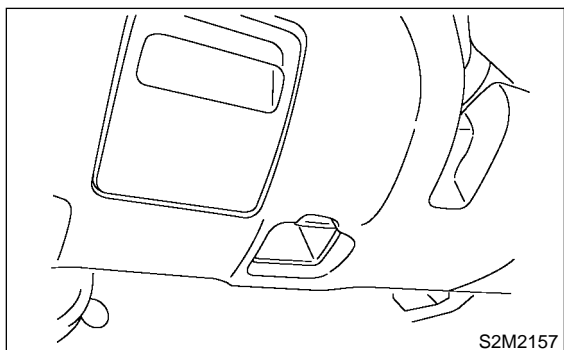
2) Warm-up the engine.

3) Stop the engine, and turn ignition switch to OFF.

4) When using SUBARU SELECT MONITOR <Ref. to ME(SOHC)-15, SPECIAL TOOLS, PREPARATION TOOL, General Description.>

(1) Insert the cartridge to SUBARU SELECT MONITOR.

(2) Connect SUBARU SELECT MONITOR to the data link connector.



(3) Turn ignition switch to ON, and SUBARU SELECT MONITOR switch to ON.

(4) Select {2. Each System Check} in Main Menu.

(5) Select {Engine Control System} in Selection Menu.

(6) Select {1. Current Data Display & Save} in Engine Control System Diagnosis.

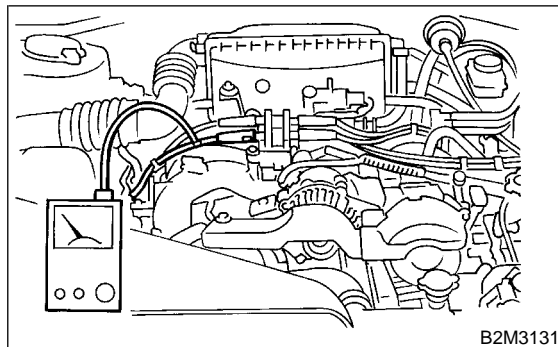
(7) Select {1.12 Data Display} in Data Display Menu.

(8) Start the engine, and read engine idle speed.

5) When using tachometer (Secondary pick-up type).

(1) Attach the pick-up clip to No. 1 cylinder spark plug cord.

(2) Start the engine, and read engine idle speed.



#### NOTE:

- When using the OBD-II general scan tool, carefully read its operation manual.

- This ignition system provides simultaneous ignition for #1 and #2 plugs. It must be noted that some tachometers may register twice that of actual engine speed.

6) Check idle speed when unloaded. (With headlights, heater fan, rear defroster, radiator fan, air conditioning, etc. OFF)

**Idle speed (No load and gears in neutral (MT), or N or P (AT) position):**

**With OBD Model;**

**700±100 rpm**

**Without OBD Model;**

**MT: 650±100 rpm**

**AT: 675±100 rpm**

7) Check idle speed when loaded. (Turn air conditioning switch to "ON" and operate compressor for at least one minute before measurement.)

**Idle speed [A/C "ON", no load and gears in neutral (MT) or N or P (AT) position]:**

**With OBD Model;**

**850±100 rpm**

**Without OBD Model;**

**800±100 rpm**

#### CAUTION:

Never rotate idle adjusting screw. If idle speed is out of specifications, refer to General On-board Diagnosis Table under "Engine Control System". <Ref. to EN(SOHC)-2, Basic Diagnostic Procedure.> or <Ref. to EN(SOHCw/OBD)-2, Basic Diagnostic Procedure.>



## 4. Ignition Timing S153086

### A: INSPECTION S153086A10

#### CAUTION:

After warming-up, engine becomes very hot. Be careful not to burn yourself during measurement.

- 1) Warm-up the engine.
- 2) To check the ignition timing, connect a timing light to #1 cylinder spark plug cord, and illuminate the timing mark with the timing light.
- 3) Start the engine at idle speed and check the ignition timing.

#### **Ignition timing [BTDC/rpm]:**

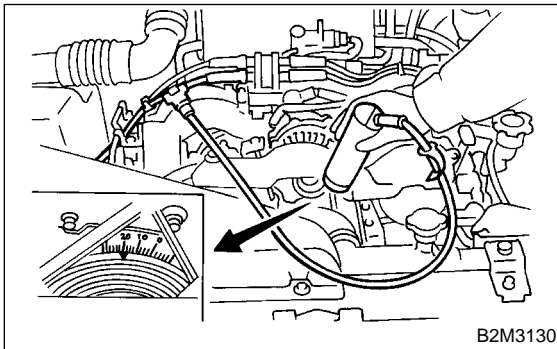
**With OBD Model;**

**$10^{\circ} \pm 10^{\circ} / 700$  rpm**

**Without OBD Model;**

**MT:  $10^{\circ} \pm 10^{\circ} / 650$  rpm**

**AT:  $10^{\circ} \pm 10^{\circ} / 675$  rpm**



If the timing is not correct, check the ignition control system.

Refer to Engine Control System. <Ref. to EN(SOHC)-2, Basic Diagnostic Procedure.> or <Ref. to EN(SOHCw/oOBD)-2, Basic Diagnostic Procedure.>

# INTAKE MANIFOLD VACUUM

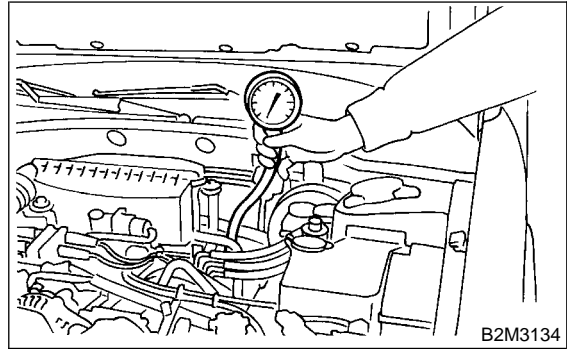
Mechanical

## 5. Intake Manifold Vacuum S153654

### A: INSPECTION S153654A10

- 1) Warm-up the engine.
- 2) Disconnect the brake vacuum hose and install the vacuum gauge to the hose fitting on the manifold.
- 3) Keep the engine at the idle speed and read the vacuum gauge indication.

By observing the gauge needle movement, the internal condition of the engine can be diagnosed as described below.



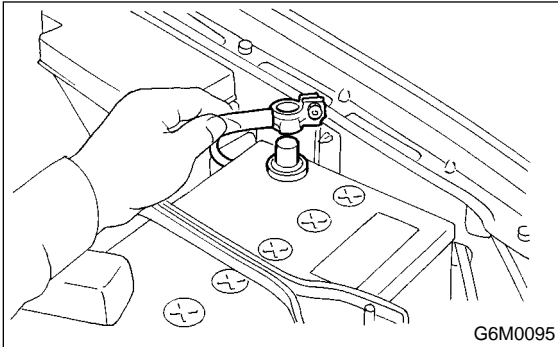
**Vacuum pressure (at idling, A/C "OFF"):**  
**Less than  $-60.0$  kPa ( $-450$  mmHg,  $-17.72$  inHg)**

Diagnosis of engine condition by measurement of manifold vacuum	
Vacuum gauge indication	Possible engine condition
1. Needle is steady but lower than normal position. This tendency becomes more evident as engine temperature rises.	Leakage around intake manifold gasket or disconnection or damaged vacuum hose
2. When engine speed is reduced slowly from higher speed, needle stops temporarily when it is lowering or becomes steady above normal position.	Back pressure too high, or exhaust system clogged
3. Needle intermittently drops to position lower than normal position.	Leakage around cylinder
4. Needle drops suddenly and intermittently from normal position.	Sticky valves
5. When engine speed is gradually increased, needle begins to vibrate rapidly at certain speed, and then vibration increases as engine speed increases.	Weak or broken valve springs
6. Needle vibrates above and below normal position in narrow range.	Defective ignition system or throttle chamber idle adjustment

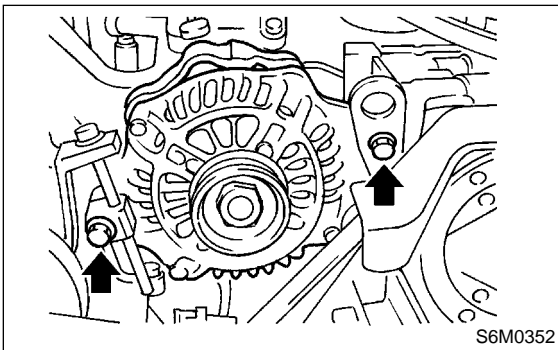
## 6. Engine Oil Pressure S153655

### A: INSPECTION S153655A10

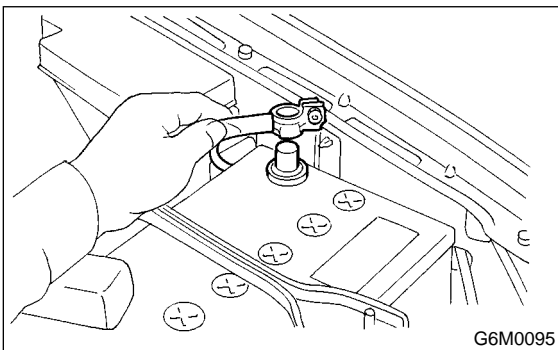
- 1) Disconnect battery ground cable.



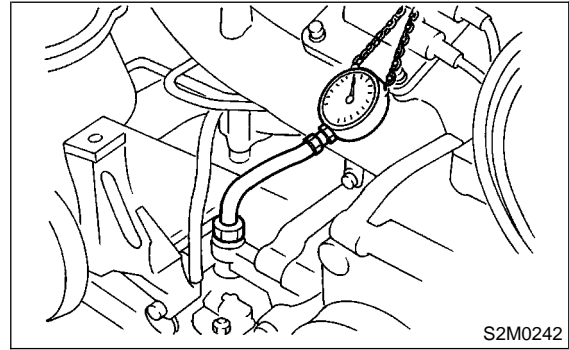
- 2) Remove generator from bracket.
  - (1) Loosen lock bolt and slider bolt, and remove front side V-belt. <Ref. to ME(SOHC)-42, REMOVAL, V-belt.>
  - (2) Remove generator lock bolt.
  - (3) Remove bolt which install generator on bracket.



- 3) Disconnect connector from oil pressure switch.
- 4) Remove oil pressure switch from engine cylinder block. <Ref. to LU-21, REMOVAL, Oil Pressure Switch.>
- 5) Connect oil pressure gauge hose to cylinder block.
- 6) Connect battery ground cable.



- 7) Start the engine, and measure oil pressure.



**Oil pressure:**  
**98 kPa (1.0 kg/cm<sup>2</sup>, 14 psi) or more at 800 rpm**  
**294 kPa (3.0 kg/cm<sup>2</sup>, 43 psi) or more at 5,000 rpm**

#### CAUTION:

- If oil pressure is out of specification, check oil pump, oil filter and lubrication line. <Ref. to LU-25, INSPECTION, Engine Lubrication System Trouble in General.>
- If oil pressure warning light is turned ON and oil pressure is in specification, replace oil pressure switch. <Ref. to LU-25, INSPECTION, Engine Lubrication System Trouble in General.>

#### NOTE:

The specified data is based on an engine oil temperature of 80°C (176°F).

- 8) After measuring oil pressure, install oil pressure switch. <Ref. to LU-21, INSTALLATION, Oil Pressure Switch.>

#### Tightening torque:

**25 N·m (2.5 kgf·m, 18.1 ft·lb)**

- 9) Install generator and V-belt in the reverse order of removal, and adjust the V-belt deflection. <Ref. to ME(SOHC)-42, INSTALLATION, V-belt.>

# FUEL PRESSURE

Mechanical

## 7. Fuel Pressure S153656

### A: INSPECTION S153656A10

#### WARNING:

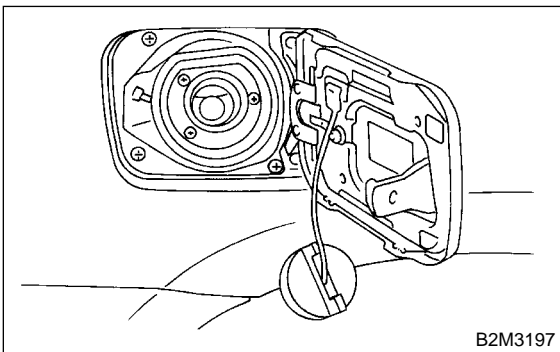
Before removing fuel pressure gauge, release fuel pressure.

#### NOTE:

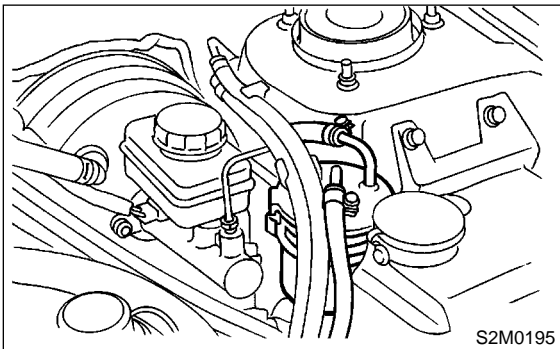
If out of specification, check or replace pressure regulator and pressure regulator vacuum hose.

1) Release fuel pressure. <Ref. to FU(SOHC)-52, RELEASING OF FUEL PRESSURE, OPERATION, Fuel.> or <Ref. to FU(SOHCw/oOBD)-41, RELEASING OF FUEL PRESSURE, OPERATION, Fuel.>

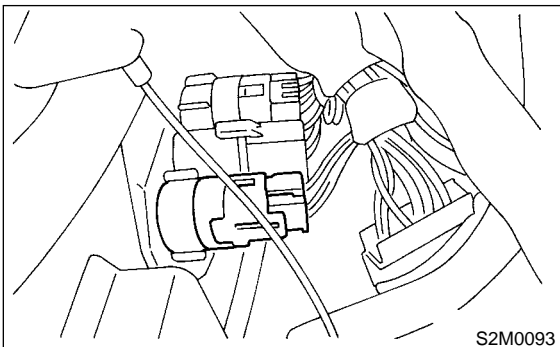
2) Open fuel flap lid, and remove fuel filler cap.



3) Disconnect fuel delivery hoses from fuel damper, and connect fuel pressure gauge.



4) Connect connector of fuel pump relay.

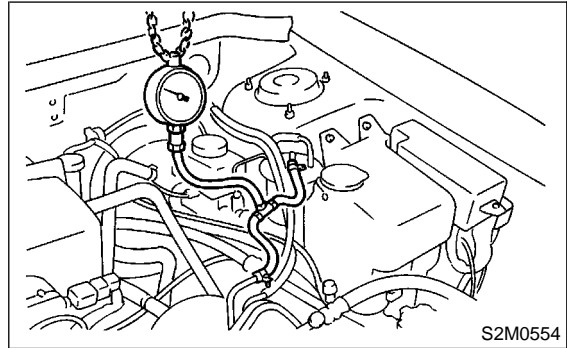


5) Start the engine.

6) Measure fuel pressure while disconnecting pressure regulator vacuum hose from intake manifold.

#### Fuel pressure:

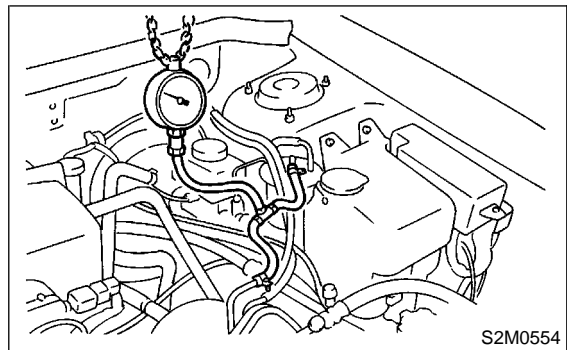
**Standard; 284 — 314 kPa (2.9 — 3.2 kg/cm<sup>2</sup>, 41 — 46 psi)**



7) After connecting pressure regulator vacuum hose, measure fuel pressure.

#### Fuel pressure:

**Standard; 206 — 235 kPa (2.1 — 2.4 kg/cm<sup>2</sup>, 30 — 34 psi)**



#### NOTE:

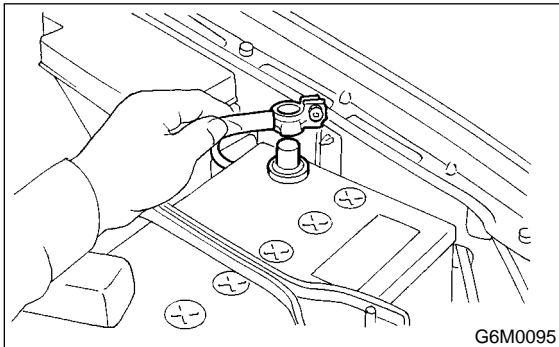
The fuel pressure gauge registers 10 to 20 kPa (0.1 to 0.2 kg/cm<sup>2</sup>, 1 to 3 psi) higher than standard values during high-altitude operations.

## 8. Valve Clearance S153083

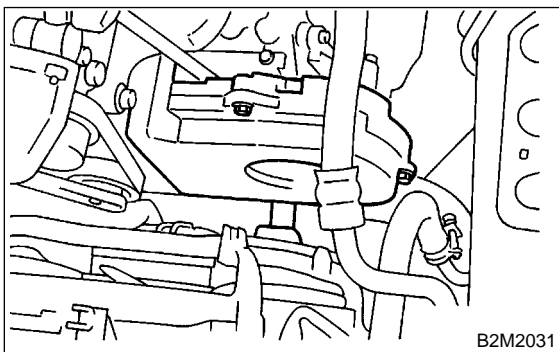
### A: INSPECTION S153083A10

**CAUTION:**  
**Inspection and adjustment of valve clearance should be performed while engine is cold.**

- 1) Set the vehicle onto the lift.
- 2) Lift-up the vehicle.
- 3) Remove under cover.
- 4) Disconnect battery ground cable.



- 5) Lower the vehicle.
- 6) Remove timing belt cover (LH).



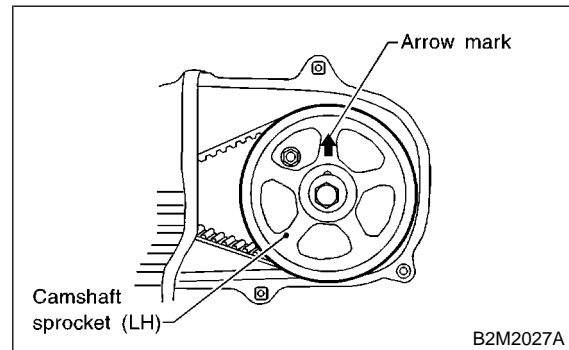
- 7) When inspecting #1 and #3 cylinders;
  - (1) Disconnect spark plug cords from spark plugs RH side. <Ref. to IG(SOHC)-4, RH SIDE, REMOVAL, Spark Plug.> or <Ref. to IG(SOHCw/oOBD)-5, RH SIDE, REMOVAL, Spark Plug.>
  - (2) Disconnect PCV hose from rocker cover (RH).
  - (3) Remove bolts, then remove rocker cover (RH).
- 8) When inspecting #2 and #4 cylinders;
  - (1) Disconnect spark plug cords from spark plugs (LH Side) <Ref. to IG(SOHC)-5, LH SIDE, REMOVAL, Spark Plug.> or <Ref. to IG(SOHCw/oOBD)-6, LH SIDE, REMOVAL, Spark Plug.>.
  - (2) Disconnect PCV hose from rocker cover (LH).
  - (3) Remove bolts, then remove rocker cover (LH).

- 9) Set #1 cylinder piston to top dead center of compression stroke by rotating crankshaft pulley clockwise using ST.

ST 499977300 CRANKSHAFT PULLEY WRENCH

**NOTE:**

When arrow mark on camshaft sprocket (LH) comes exactly to the top, #1 cylinder piston is brought to the top dead center of compression stroke.



- 10) Measure #1 cylinder valve clearance by using thickness gauge.

**CAUTION:**

- Insert the thickness gauge in as horizontal a direction as possible with respect to the valve stem end face.
- Measure exhaust valve clearances while lifting-up the vehicle.

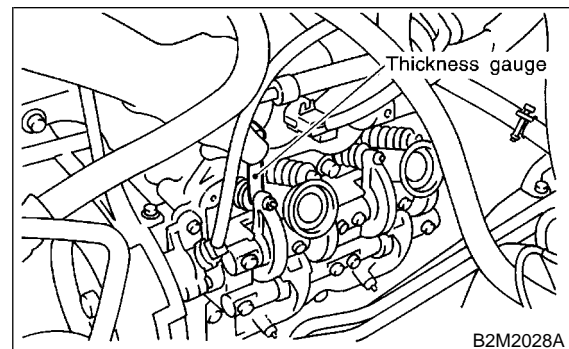
**Valve clearance:**

**Intake;**

**$0.20 \pm 0.02$  mm ( $0.0079 \pm 0.0008$  in)**

**Exhaust;**

**$0.25 \pm 0.02$  mm ( $0.0098 \pm 0.0008$  in)**



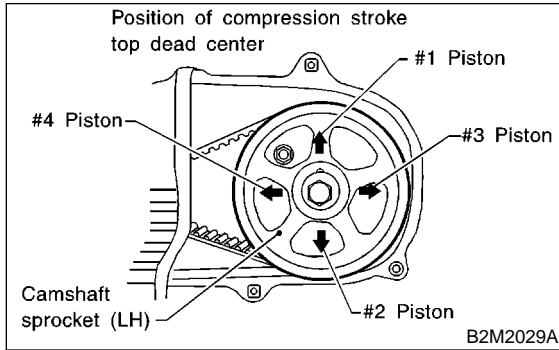
- 11) If necessary, adjust the valve clearance. <Ref. to ME(SOHC)-30, ADJUSTMENT, Valve Clearance.>
- 12) Similar to measurement procedures used for #1 cylinder, measure #2, #3 and #4 cylinder valve clearances.

# VALVE CLEARANCE

Mechanical

## NOTE:

- Be sure to set cylinder pistons to their respective top dead centers on compression stroke before measuring valve clearances.
- To set #3, #2 and #4 cylinder pistons to their top dead centers on compression stroke, turn crankshaft pulley clockwise 90° at a time starting with arrow mark on left-hand camshaft sprocket facing up.

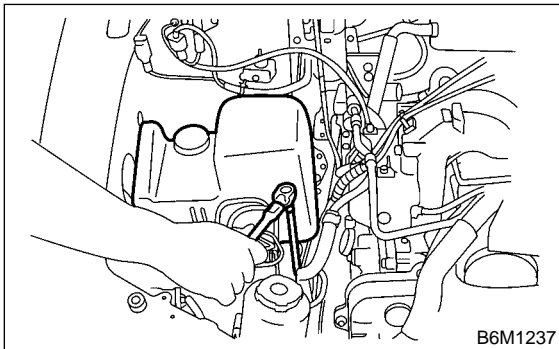


13) After inspection, install the related parts in the reverse order of removal.

## Tightening torque:

**Resonator chamber;**

**33 N·m (3.4 kgf·m, 24 ft·lb)**



## B: ADJUSTMENT

S153083A01

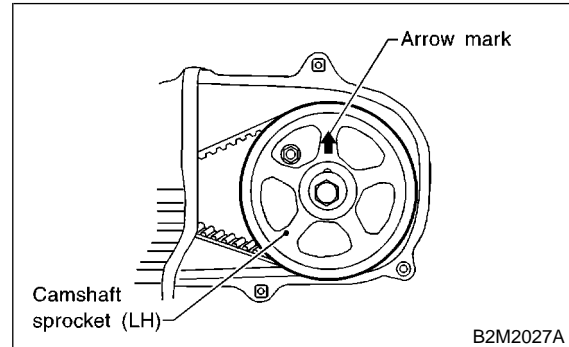
### CAUTION:

Adjustment of valve clearance should be performed while engine is cold.

- 1) Set #1 cylinder piston to top dead center of compression stroke by rotating crankshaft pulley clockwise using ST.  
ST 499977300 CRANKSHAFT PULLEY WRENCH

## NOTE:

When arrow mark on camshaft sprocket (LH) comes exactly to the top, #1 cylinder piston is brought to the top dead center of compression stroke.



- 2) Adjust the #1 cylinder valve clearance.

- (1) Loosen the valve rocker nut and screw.

- (2) Place suitable thickness gauge.

- (3) While noting valve clearance, tighten valve rocker adjust screw.

- (4) When specified valve clearance is obtained, tighten valve rocker nut.

## Tightening torque:

**10 N·m (1.0 kgf·m, 7.2 ft·lb)**

### CAUTION:

- Insert the thickness gauge in as horizontal a direction as possible with respect to the valve stem end face.

- Adjust exhaust valve clearances while lifting-up the vehicle.

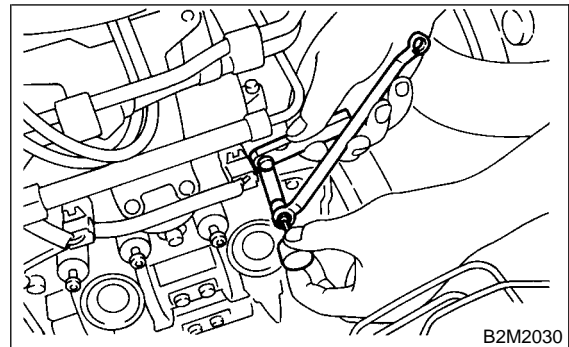
### Valve clearance:

**Intake;**

**0.20±0.02 mm (0.0079±0.0008 in)**

**Exhaust;**

**0.25±0.02 mm (0.0098±0.0008 in)**



- 3) Ensure that valve clearances are within specifications.

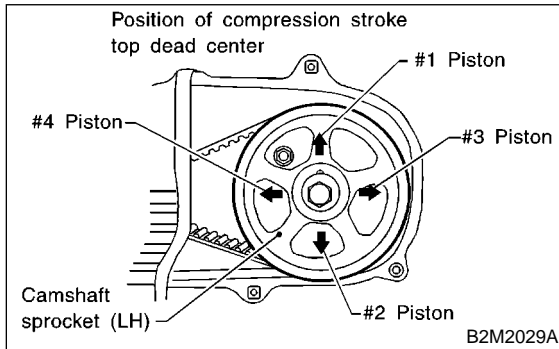
- 4) Turn crankshaft two complete rotations until #1 cylinder piston is again set to top dead center on compression stroke.

- 5) Ensure that valve clearances are within specifications. If necessary, readjust valve clearances.

6) Similar to adjustment procedures used for #1 cylinder, adjust #2, #3 and #4 cylinder valve clearances.

**NOTE:**

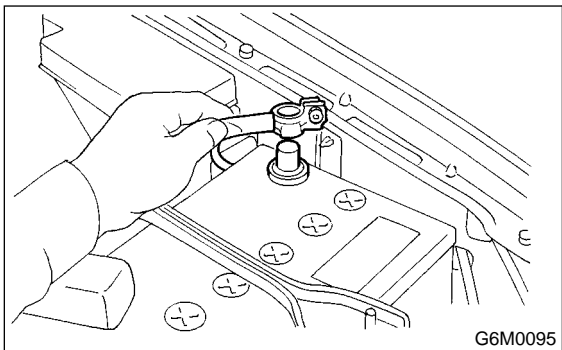
- Be sure to set cylinder pistons to their respective top dead centers on compression stroke before adjusting valve clearances.
- To set #3, #2 and #4 cylinder pistons to their top dead centers on compression stroke, turn crankshaft pulley clockwise 90° at a time starting with arrow mark on left-hand camshaft sprocket facing up.



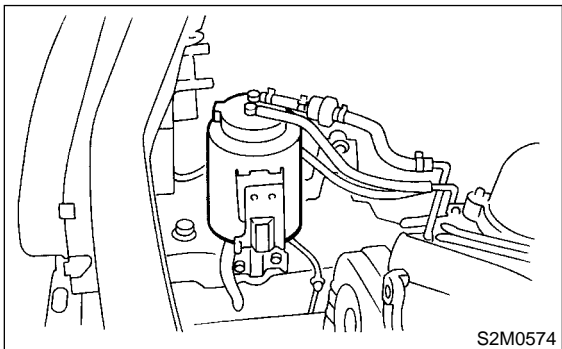
## 9. Engine Assembly S153079

### A: REMOVAL S153079A18

- 1) Set the vehicle on lift arms.
- 2) Open front hood fully and support with stay.
- 3) Release fuel pressure. <Ref. to FU(SOHC)-52, RELEASING OF FUEL PRESSURE, OPERATION, Fuel.> or <Ref. to FU(SOHCw/oOBD)-41, RELEASING OF FUEL PRESSURE, OPERATION, Fuel.>
- 4) Remove filler cap.
- 5) Disconnect battery ground terminal.

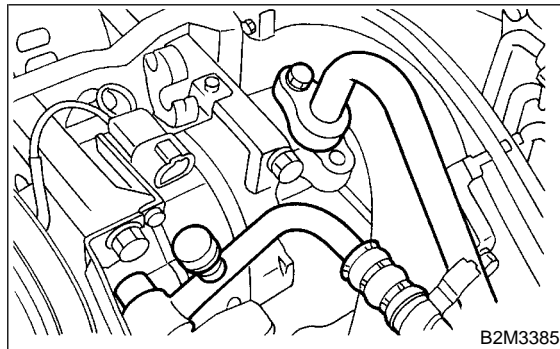


- 6) Remove air intake duct and air cleaner case. <Ref. to IN(SOHC)-8, REMOVAL, Air Intake Duct.> and <Ref. to IN(SOHC)-7, REMOVAL, Air Cleaner Case.>
- 7) Remove canister and bracket. (Without OBD)

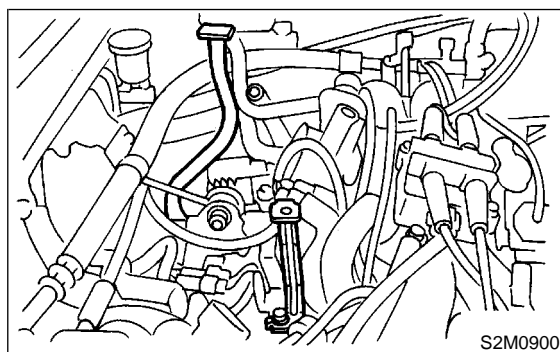


- 8) Remove under cover.
- 9) Remove radiator from vehicle. <Ref. to CO-25, REMOVAL, Radiator.>
- 10) Remove ATF cooler pipe from cylinder head. <Ref. to AT-49, REMOVAL, ATF Cooler Pipe and Hose.>
- 11) Collect refrigerant, and remove pressure hoses. (With A/C)
  - (1) Place and connect the attachment hose to the refrigerant recycle system.
  - (2) Collect refrigerant from A/C system.

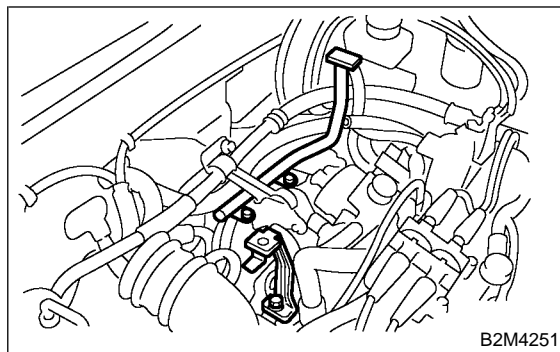
- (3) Disconnect A/C pressure hoses from A/C compressor.



- 12) Remove air cleaner case stay.
  - MT model

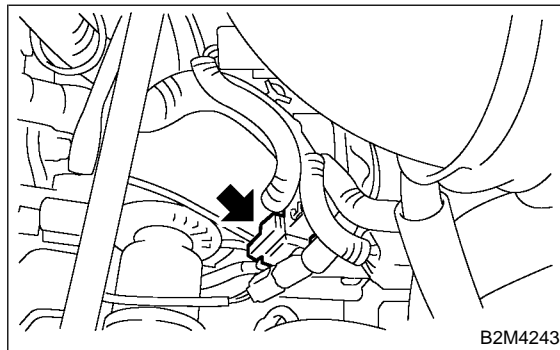


- AT model



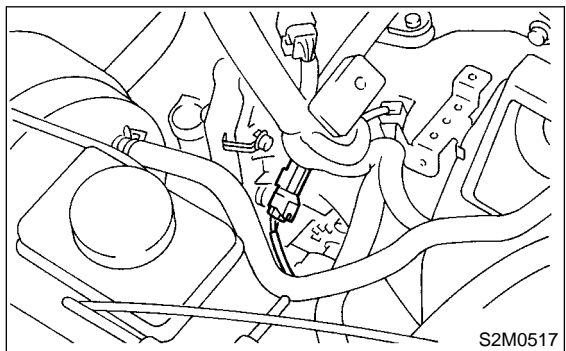
- 13) Disconnect the following connectors and cables.

- (1) Front oxygen (A/F) sensor connector (With OBD)

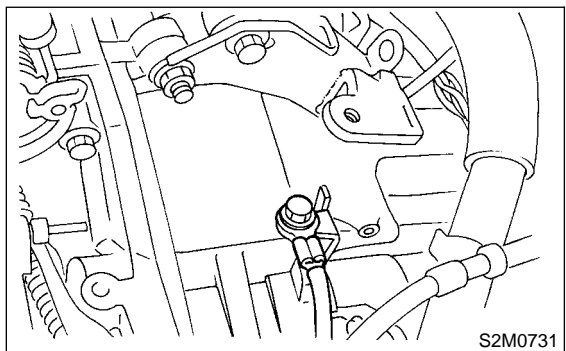




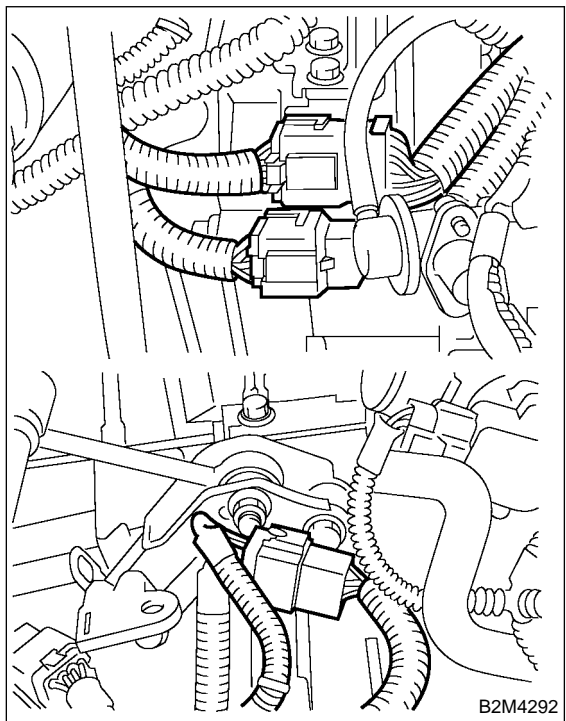
(2) Front oxygen sensor connector (Without OBD)



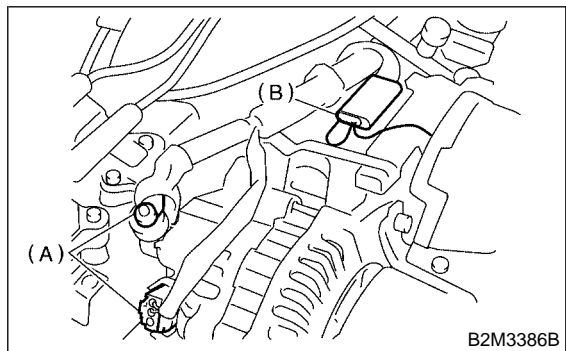
(3) Engine ground terminal



(4) Engine harness connectors

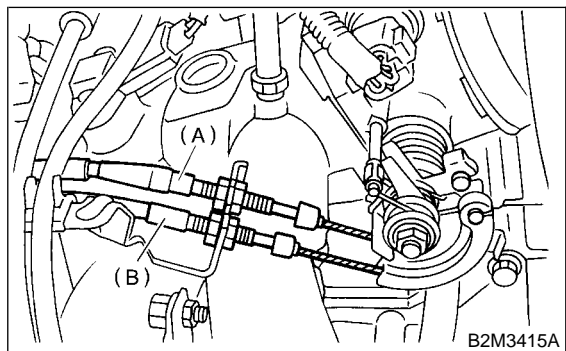


(5) Generator connector, terminal and A/C compressor connector



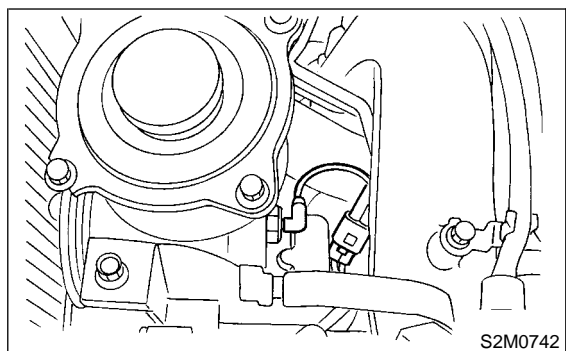
- (A) Generator connector and terminal
- (B) A/C compressor connector

(6) Accelerator cable and cruise control cable



- (A) Accelerator cable
- (B) Cruise control cable

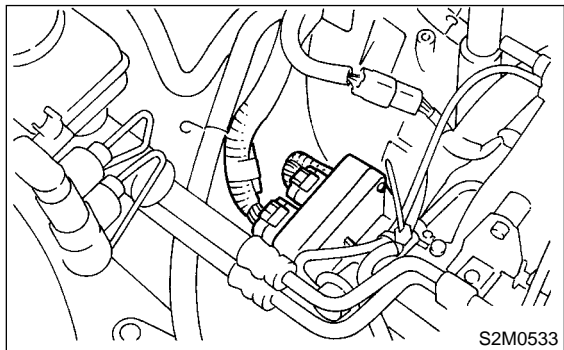
(7) Pressure switch



# ENGINE ASSEMBLY

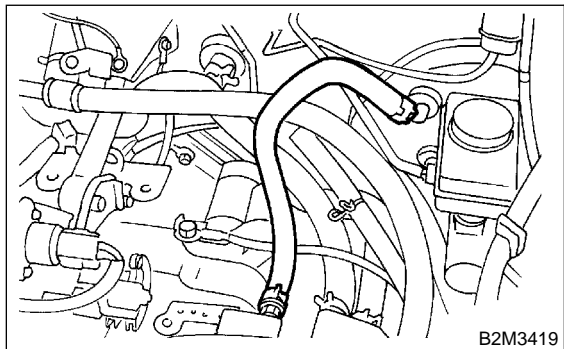
Mechanical

(8) Engine control module connector

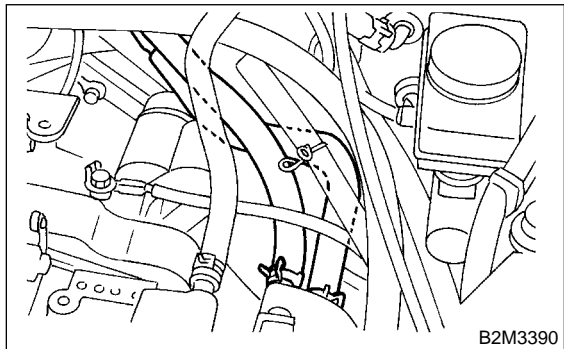


14) Disconnect the following hoses.

(1) Brake booster vacuum hose



(2) Heater inlet outlet hose

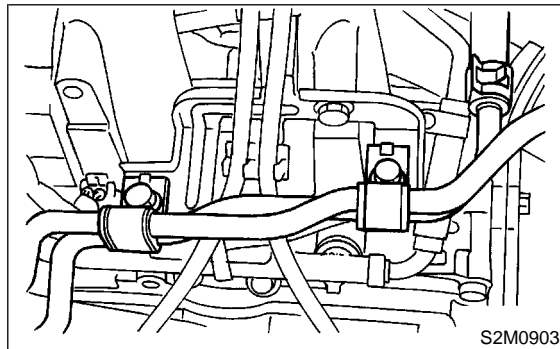


15) Remove power steering pump from bracket.

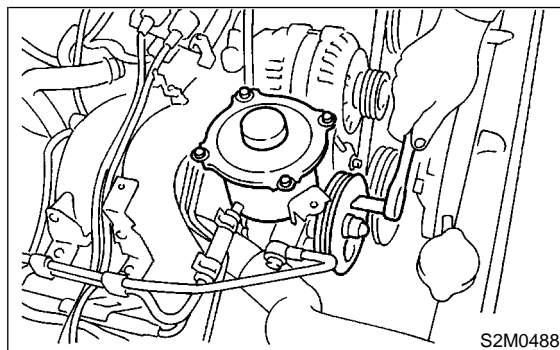
(1) Remove resonator chamber.

(2) Loosen lock bolt and slider bolt, and remove front side V-belt. <Ref. to ME(SOHC)-42, FRONT SIDE BELT, REMOVAL, V-belt.>

(3) Remove pipe with bracket from intake manifold.

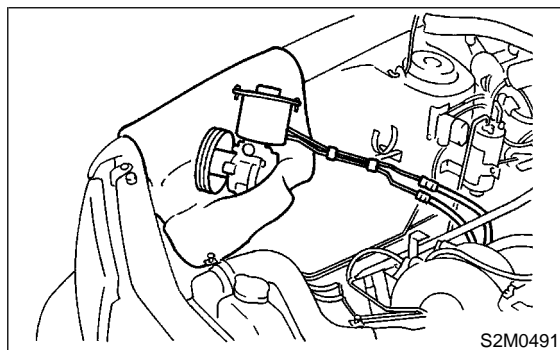


(4) Remove bolts which install power steering pump from bracket.



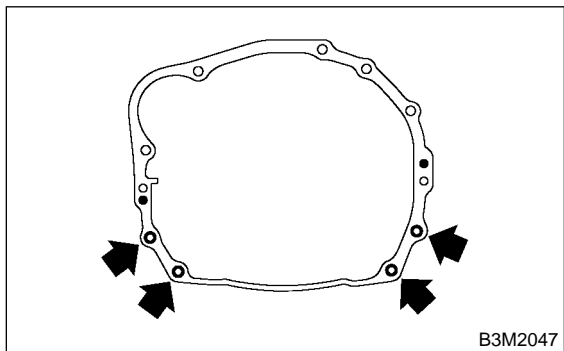
(5) Remove bolt which installs power steering pump bracket on cylinder head.

(6) Place power steering pump on the right side wheel apron.



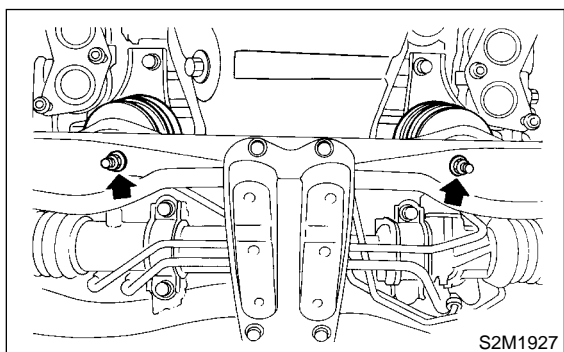
16) Remove front and center exhaust pipe. <Ref. to EX(SOHC)-5, REMOVAL, Front Exhaust Pipe.> or <Ref. to EX(SOHCw/oOBD)-6, REMOVAL, Front Exhaust Pipe.>

17) Remove nuts which hold lower side of transmission to engine.



B3M2047

18) Remove nuts which install front cushion rubber onto front crossmember.

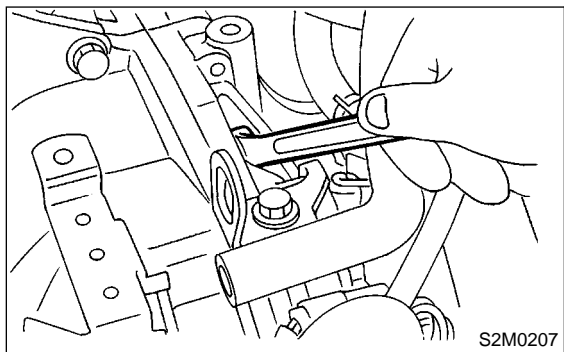


S2M1927

19) Separate torque converter clutch from drive plate. (AT model)

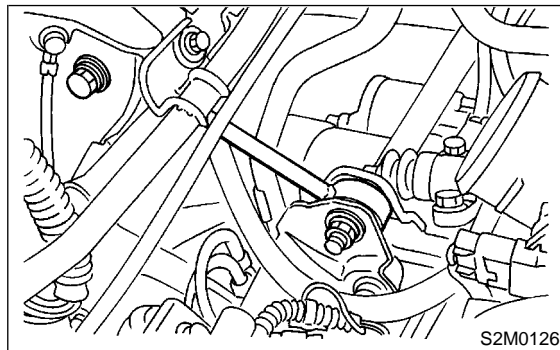
- (1) Lower the vehicle.
- (2) Remove service hole plug.
- (3) Remove bolts which hold torque converter clutch to drive plate.
- (4) Remove other bolts while rotating the engine using ST.

ST 499977100 CRANK PULLEY WRENCH



S2M0207

20) Remove pitching stopper.

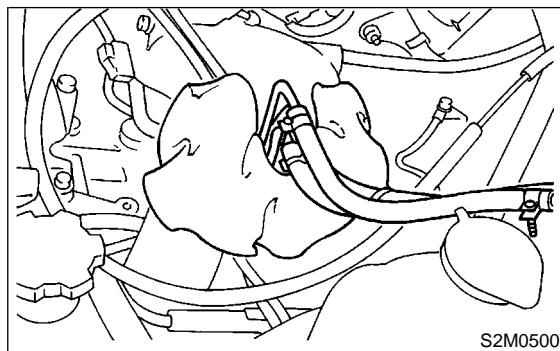


S2M0126

21) Disconnect fuel delivery hose, return hose and evaporation hose.

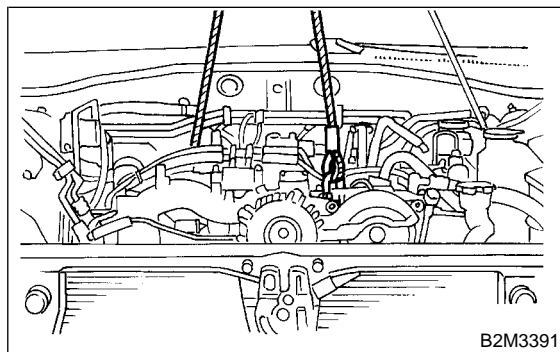
**CAUTION:**

- Disconnect hose with its end wrapped with cloth to prevent fuel from splashing.
- Catch fuel from hose into container.



S2M0500

22) Support engine with a lifting device and wire ropes.



B2M3391

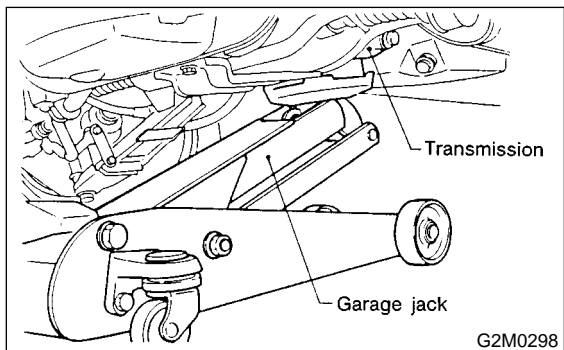
# ENGINE ASSEMBLY

Mechanical

23) Support transmission with a garage jack.

**CAUTION:**

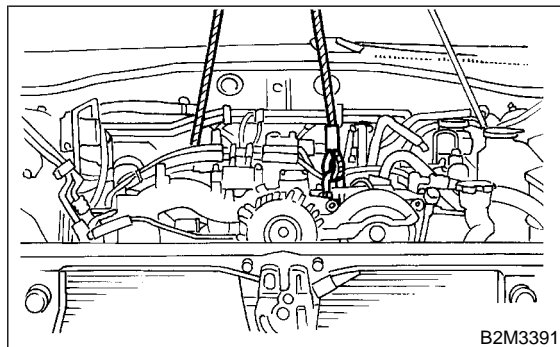
Before moving engine away from transmission, check to be sure no work has been overlooked. Doing this is very important in order to facilitate re-installation and because transmission lowers under its own weight.



(4) Slowly move engine away from engine compartment.

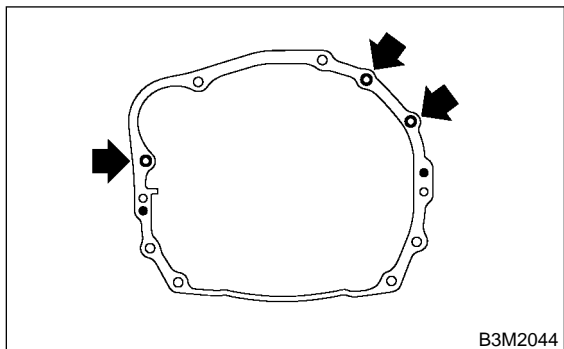
**CAUTION:**

Be careful not to damage adjacent parts or body panels with crank pulley, oil level gauge, etc.



24) Separation of engine and transmission.

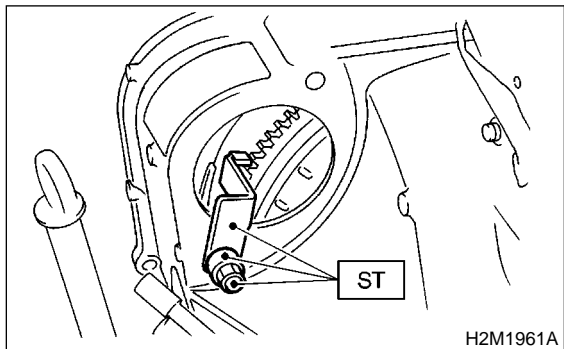
- (1) Remove starter. <Ref. to SC-5, REMOVAL, Starter.>
- (2) Remove bolts which hold upper side of transmission to engine.



27) Remove front cushion rubbers.

25) Install ST to torque converter clutch case. (AT model)

ST 498277200 STOPPER SET



26) Remove engine from vehicle.

- (1) Slightly raise engine.
- (2) Raise transmission with garage jack.
- (3) Move engine horizontally until main shaft is withdrawn from clutch cover.

## B: INSTALLATION S153079A11

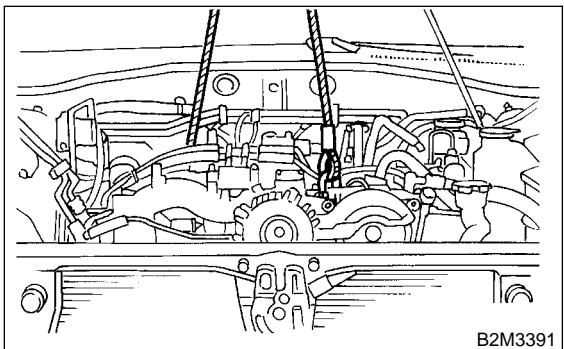
- 1) Install front cushion rubbers.

**Tightening torque:**  
**34 N·m (3.5 kgf·m, 25.3 ft·lb)**

- 2) Install engine onto transmission.
  - (1) Position engine in engine compartment and align it with transmission.

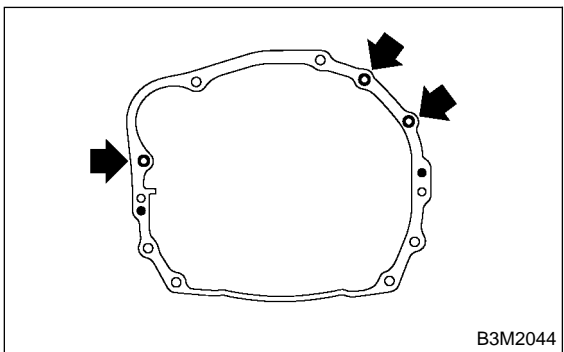
**CAUTION:**

**Be careful not to damage adjacent parts or body panels with crank pulley, oil level gauge, etc.**

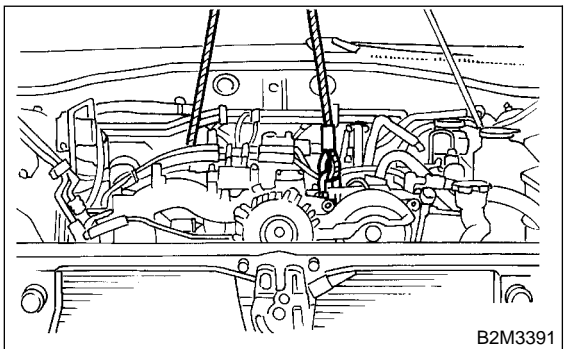


- (2) Apply a small amount of grease to spline of main shaft. (MT model)
- 3) Tighten bolts which hold upper side of transmission to engine.

**Tightening torque:**  
**50 N·m (5.1 kgf·m, 36.9 ft·lb)**



- 4) Remove lifting device and wire ropes.

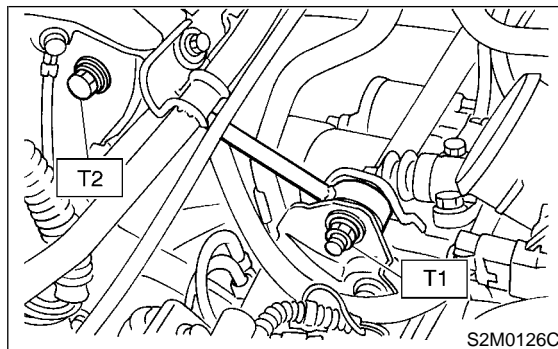


- 5) Remove garage jack.

- 6) Install pitching stopper.

**Tightening torque:**

**T1: 49 N·m (5.0 kgf·m, 36.2 ft·lb)**  
**T2: 57 N·m (5.8 kgf·m, 42 ft·lb)**



- 7) Remove ST from torque converter clutch case. (AT model)

**NOTE:**

Be careful not to drop the ST into the torque converter clutch case when removing ST.

ST 498277200 STOPPER SET

- 8) Install starter. <Ref. to SC-6, INSTALLATION, Starter.>

- 9) Install torque converter clutch onto drive plate. (AT model)

- (1) Tighten bolts which hold torque converter clutch to drive plate.
- (2) Tighten other bolts while rotating the engine by using ST.

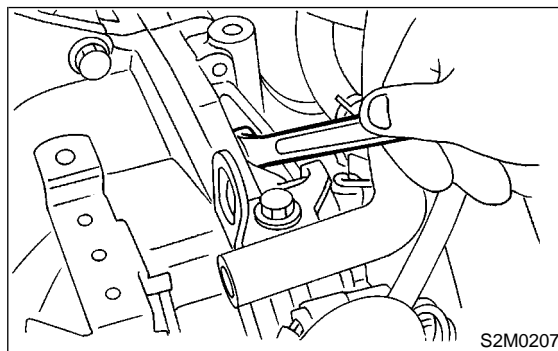
**CAUTION:**

**Be careful not to drop bolts into torque converter clutch housing.**

ST 499977300 CRANK PULLEY WRENCH

**Tightening torque:**

**25 N·m (2.5 kgf·m, 18.1 ft·lb)**



- (3) Clog plug onto service hole.
- 10) Install power steering pump on bracket.

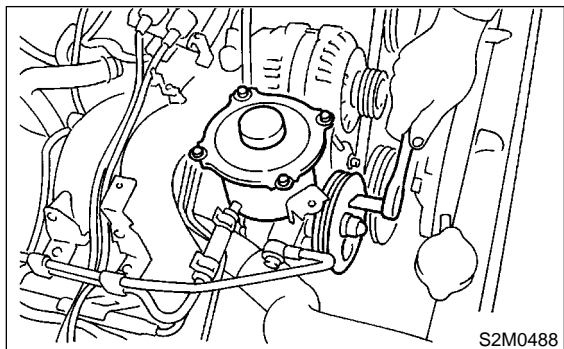
# ENGINE ASSEMBLY

Mechanical

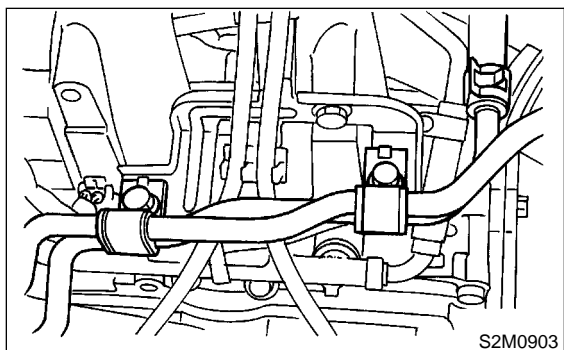
- (1) Install power steering pump on bracket, and tighten bolts.

**Tightening torque:**

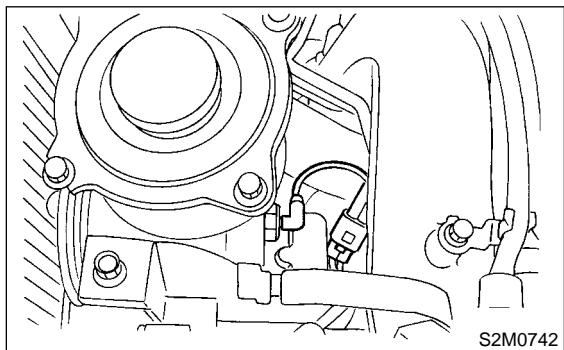
**20.1 N-m (2.05 kgf-m, 14.8 ft-lb)**



- (2) Tighten bolt which installs power steering pump bracket, and install spark plug codes.



- (3) Connect power steering switch connector.

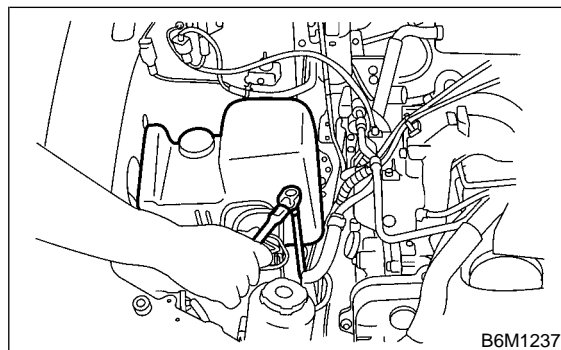


- (4) Install front side V-belt, and adjust it. <Ref. to ME(SOHC)-42, FRONT SIDE BELT, INSTALLATION, V-belt.>

- (5) Install resonator chamber.

**Tightening torque:**

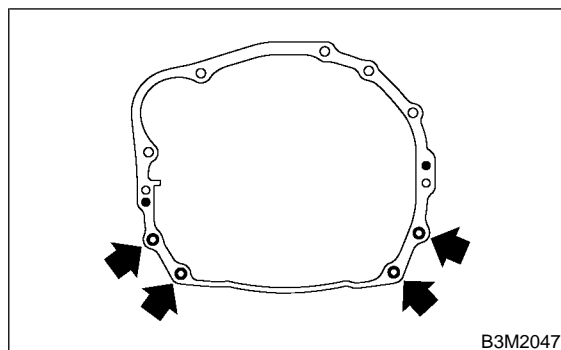
**33 N-m (3.4 kgf-m, 24.6 ft-lb)**



- 11) Tighten nuts which hold lower side of transmission to engine.

**Tightening torque:**

**50 N-m (5.1 kgf-m, 36.9 ft-lb)**

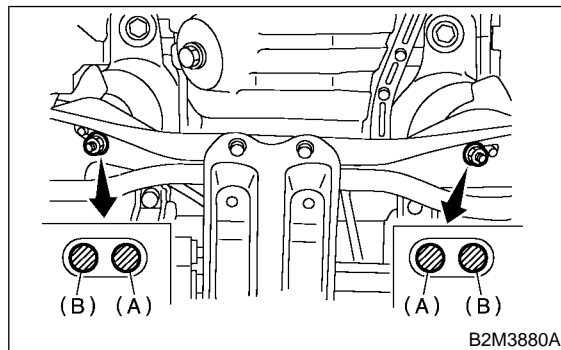


- 12) Tighten nuts which install front cushion rubber onto crossmember.

**Tightening torque:**

**85 N-m (8.7 kgf-m, 63 ft-lb)**

**CAUTION:**  
Make sure the front cushion rubber mounting bolts (A) and locator (B) are securely installed.



- 13) Install front and center exhaust pipe. <Ref. to EX(SOHC)-6, INSTALLATION, Front Exhaust Pipe.> and <Ref. to EX(SOHCw/oOBD)-7, INSTALLATION, Front Exhaust Pipe.>

- 14) Connect the following hoses.

- (1) Fuel delivery hose, return hose and evaporation hose
- (2) Heater inlet and outlet hoses
- (3) Brake booster vacuum hose
- 15) Connect the following connectors.
  - (1) Engine ground terminals

**Tightening torque:****14 N·m (1.4 kgf-m, 10.1 ft-lb)**

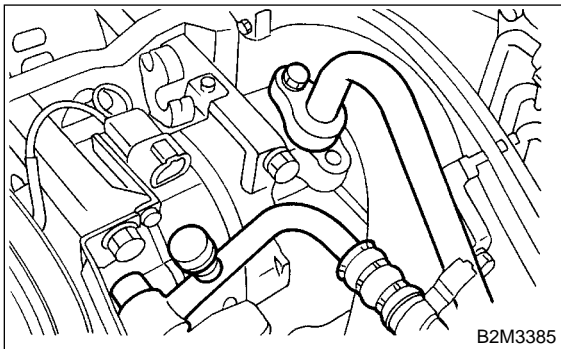
- (2) Engine harness connectors
- (3) Generator connector and terminal
- (4) A/C compressor connectors
- (5) Engine control module connector (Without OBD)
- 16) Connect the following cables.
  - (1) Accelerator cable
  - (2) Cruise control cables (With cruise control)

**CAUTION:****After connecting each cable, adjust them.**

- 17) Install air cleaner case stay.

**Tightening torque:****16 N·m (1.6 kgf-m, 11.6 ft-lb)**

- 18) Install A/C pressure hoses.
  - <Ref. to AC-38, INSTALLATION, Flexible Hose.>

**CAUTION:****Use new O-rings.****Tightening torque:****25 N·m (2.5 kgf-m, 18.1 ft-lb)**

- 19) Install radiator to vehicle. <Ref. to CO-27, INSTALLATION, Radiator.>
- 20) Install ATF cooler pipe to cylinder head. <Ref. to AT-50, INSTALLATION, ATF Cooler Pipe and Hose.>
- 21) Install under cover.
- 22) Install battery in the vehicle, and connect cables.
- 23) Fill coolant.
  - <Ref. to CO-14, FILLING OF ENGINE COOLANT, REPLACEMENT, Engine Coolant.>
- 24) Check ATF level and correct if necessary. (AT model)
  - <Ref. to AT-9, INSPECTION, Automatic Transmission Fluid.>

- 25) Charge A/C system with refrigerant.
  - <Ref. to AC-20, OPERATION, Refrigerant Charging Procedure.>
- 26) Remove front hood stay, and close front hood.
- 27) Take off the vehicle from lift arms.

**C: INSPECTION** S153079A10

- 1) Make sure pipes and hoses are installed correctly.
- 2) Make sure the engine coolant and ATF are at specified levels.

## 10. Engine Mounting S153085

### A: REMOVAL S153085A18

- 1) Remove engine assembly. <Ref. to ME(SOHC)-32, REMOVAL, Engine Assembly.>
- 2) Remove engine mounting from engine assembly.

### B: INSTALLATION S153085A11

Install in the reverse order of removal.

#### ***Tightening torque:***

##### ***Engine mounting;***

***35 N·m (3.6 kgf·m, 26.0 ft-lb)***

### C: INSPECTION S153085A10

Make sure there are no cracks or other damage.

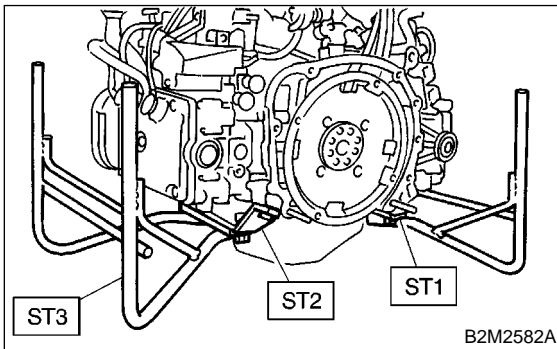


## 11. Preparation for Overhaul S153091

### A: PROCEDURE S153091E45

1) After removing the engine from the body, secure it in the ST shown below.

- ST1 498457000 ENGINE STAND ADAPTER  
RH
- ST2 498457100 ENGINE STAND ADAPTER  
LH
- ST3 499817100 ENGINE STAND



2) In this section the procedures described under each index are all connected and stated in order. It will be the complete procedure for overhauling of the engine itself when you go through all steps in the process.

Therefore, in this section, to conduct the particular procedure within the flow of a section, you need to go back and conduct the procedure described previously in order to do that particular procedure.

## 12. V-belt S153080

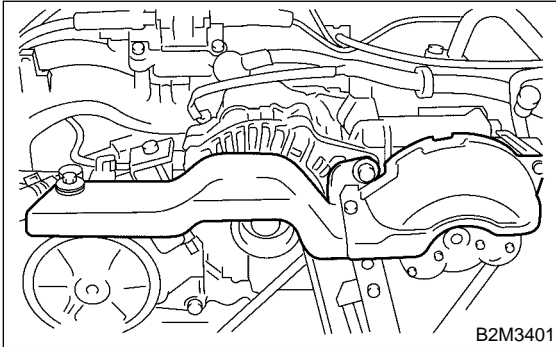
### A: REMOVAL S153080A18

#### 1. FRONT SIDE BELT S153080A1801

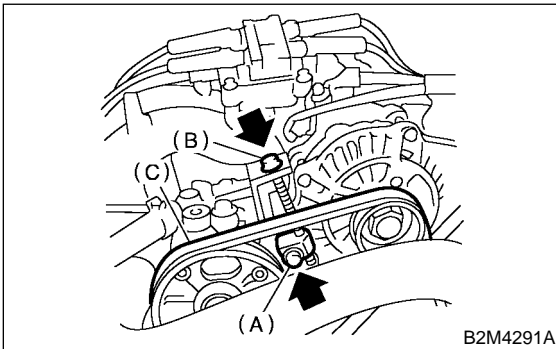
**NOTE:**

Perform the following procedures 1) to 4) with the engine installed to the body.

- 1) Remove V-belt cover.

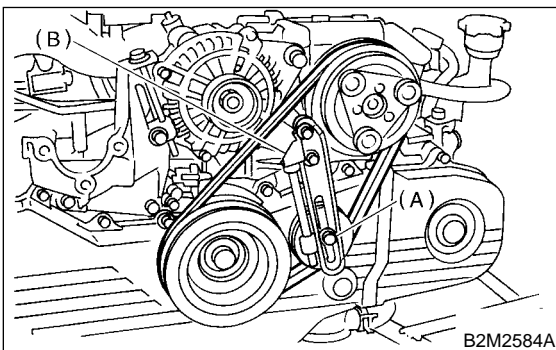


- 2) Loosen the lock bolt (A).
- 3) Loosen the slider bolt (B).
- 4) Remove the front side belt (C).

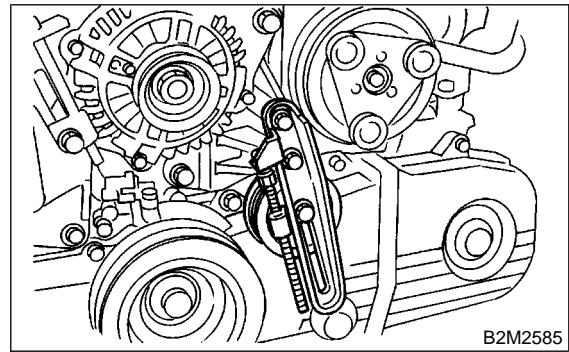


#### 2. REAR SIDE BELT S153080A1802

- 1) Loosen the lock nut (A).
- 2) Loosen the slider bolt (B).



- 3) Remove the A/C belt.
- 4) Remove the A/C belt tensioner.



### B: INSTALLATION S153080A11

#### 1. FRONT SIDE BELT S153080A1101

**CAUTION:**

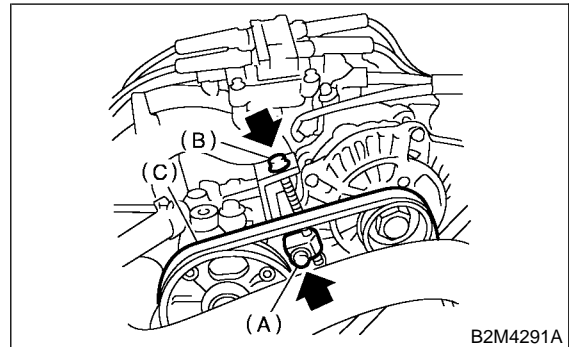
Wipe off any oil or water on the belt and pulley.

- 1) Install a belt, and tighten the slider bolt so as to obtain the specified belt tension <Ref. to ME(SOHC)-43, INSPECTION, V-belt.>
- 2) Tighten the lock bolt (A)
- 3) Tighten slider bolt (B).

**Tightening torque:**

**Lock bolt through bolt:**  
**25 N·m (2.5 kgf·m, 18 ft·lb)**

**Slider bolt:**  
**8 N·m (0.8 kgf·m, 5.5 ft·lb)**



- 4) Install V-belt cover.

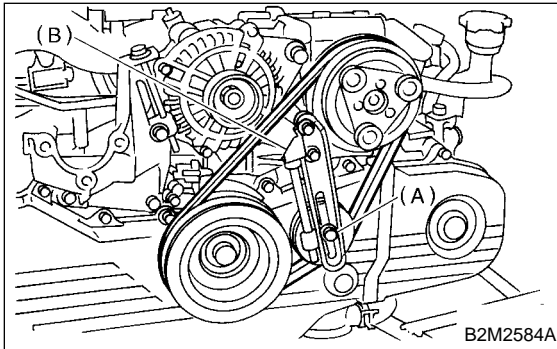
#### 2. REAR SIDE BELT S153080A1102

- 1) Install a belt, and tighten the slider bolt (B) so as to obtain the specified belt tension. <Ref. to ME(SOHC)-43, INSPECTION, V-belt.>

2) Tighten the lock nut (A).

**Tightening torque:**

**Lock nut (A);**  
**22.6 N·m (2.3 kgf-m, 16.6 ft-lb)**



**C: INSPECTION**

S153080A10

- 1) Replace belts, if cracks, fraying or wear is found.
- 2) Check drive belt tension and adjust it if necessary by changing generator installing position and/or idler pulley installing position.

**Belt tension**

**(A)**

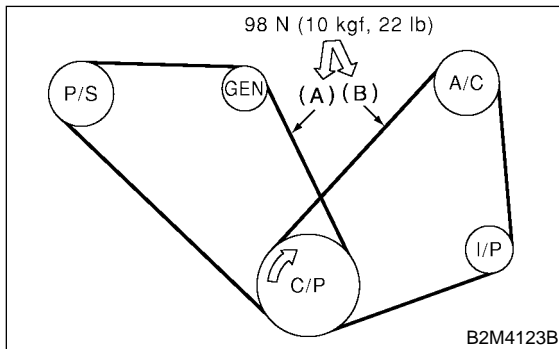
**replaced: 7 — 9 mm (0.276 — 0.354 in)**

**reused: 9 — 11 mm (0.354 — 0.433 in)**

**(B)\***

**replaced: 7.5 — 8.5 mm (0.295 — 0.335 in)**

**reused: 9.0 — 10.0 mm (0.354 — 0.394 in)**



C/P Crankshaft pulley

GEN Generator

P/S Power steering oil pump pulley

A/C Air conditioning compressor pulley

I/P Idler pulley

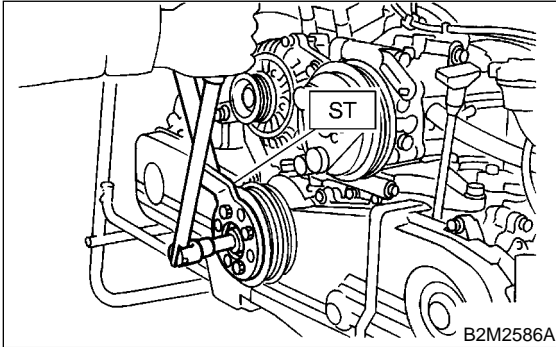
## 13. Crankshaft Pulley S153098

### A: REMOVAL S153098A18

1) Remove V-belt. <Ref. to ME(SOHC)-42, REMOVAL, V-belt.>

2) Remove crankshaft pulley bolt. To lock crankshaft, use ST.

ST 499977300 CRANKSHAFT PULLEY WRENCH



3) Remove crankshaft pulley.

### B: INSTALLATION S153098A11

1) Install crankshaft pulley.

2) Install pulley bolt.

To lock crankshaft, use ST.

ST 499977300 CRANKSHAFT PULLEY WRENCH

(1) Clean the crankshaft pulley thread using an air gun.

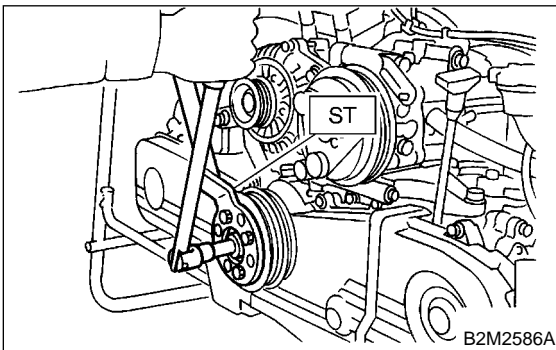
(2) Apply engine oil to the crankshaft pulley bolt seat and thread.

(3) Tighten the bolts temporarily with tightening torque of 44 N·m (4.5 kgf·m, 33 ft·lb).

(4) Tighten the crankshaft pulley bolts.

#### Tightening torque:

**127 N·m (13.0 kgf·m, 94.0 ft·lb)**



3) Confirm that the tightening angle of the crankshaft pulley bolt is 45 degrees or more. If not, conduct the following procedures.

#### CAUTION:

If the tightening angle of crankshaft pulley bolt is less than 45 degrees, the bolt should be damaged. In this case, the bolt must be replaced.

(1) Replace the crankshaft pulley bolts and clean them.

#### Crankshaft pulley bolt: 12369AA011

(2) Clean the crankshaft thread using an air gun.

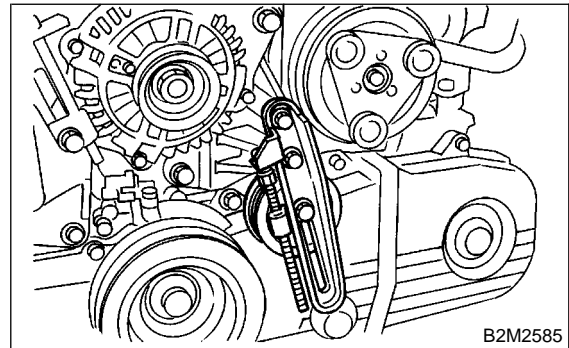
(3) Tighten the bolts temporarily with tightening torque of 44 N·m (4.5 kgf·m, 33 ft·lb).

(4) Tighten the crankshaft pulley bolts keeping them in an angle between 45 degrees and 60 degrees.

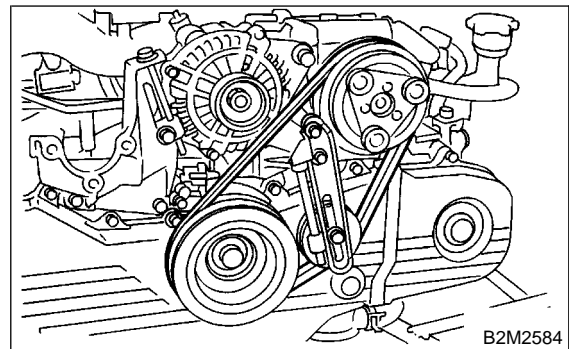
#### CAUTION:

Conduct the tightening procedures by confirming the turning angle of the crankshaft pulley bolt referring to the gauge indicated on the belt cover.

4) Install A/C belt tensioner.



5) Install A/C belt.



### C: INSPECTION S153098A10

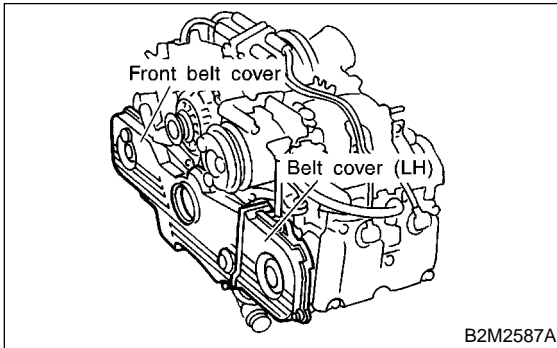
1) Make sure the V-belt is not worn or otherwise damaged.

2) Check the tension of the belt. <Ref. to ME(SOHC)-43, INSPECTION, V-belt.>

## 14. Belt Cover S153582

### A: REMOVAL S153582A18

- 1) Remove V-belt. <Ref. to ME(SOHC)-42, REMOVAL, V-belt.>
- 2) Remove crankshaft pulley. <Ref. to ME(SOHC)-44, REMOVAL, Crankshaft Pulley.>
- 3) Remove belt cover (LH).
- 4) Remove front belt cover.



### B: INSTALLATION S153582A11

- 1) Install front belt cover.

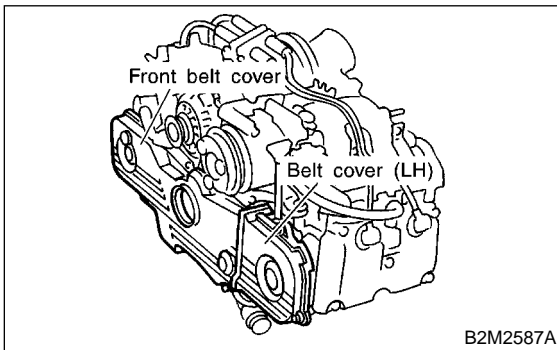
**Tightening torque:**

**5 N·m (0.5 kgf-m, 3.6 ft-lb)**

- 2) Install belt cover (LH).

**Tightening torque:**

**5 N·m (0.5 kgf-m, 3.6 ft-lb)**



- 3) Install crankshaft pulley. <Ref. to ME(SOHC)-44, INSTALLATION, Crankshaft Pulley.>
- 4) Install V-belt. <Ref. to ME(SOHC)-42, INSTALLATION, V-belt.>

### C: INSPECTION S153582A10

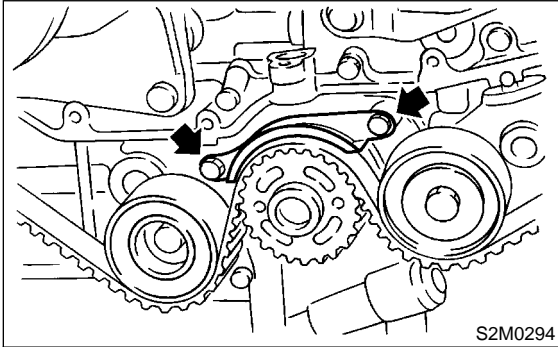
Make sure the cover is not damaged.

## 15. Timing Belt Assembly S153099

### A: REMOVAL S153099A18

#### 1. TIMING BELT S153099A1801

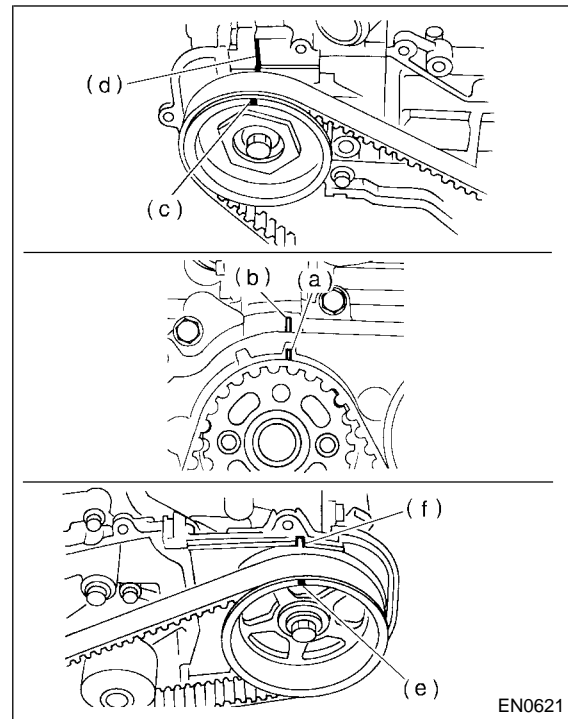
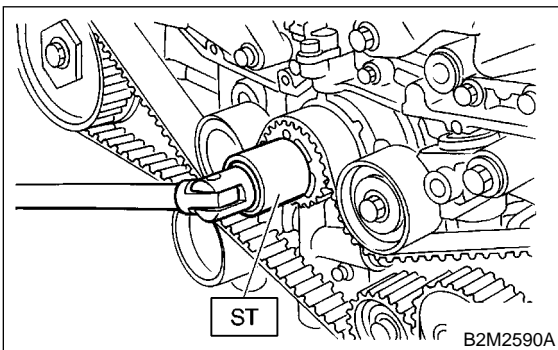
- 1) Remove V-belt. <Ref. to ME(SOHC)-42, REMOVAL, V-belt.>
- 2) Remove crankshaft pulley. <Ref. to ME(SOHC)-44, REMOVAL, Crankshaft Pulley.>
- 3) Remove belt cover. <Ref. to ME(SOHC)-45, REMOVAL, Belt Cover.>
- 4) Remove timing belt guide. (MT vehicle only)



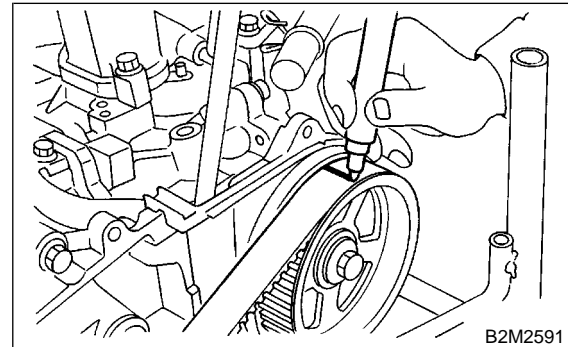
5) If alignment mark (a) and/or arrow mark (which indicates rotation direction) on timing belt fade away, put new marks before removing timing belt as shown in procedures below.

(1) Turn crankshaft using ST. Align mark (a) of sprocket to cylinder block notch (b) and ensure that right side cam sprocket mark (c), cam cap and cylinder head matching surface (d) and/or left side cam sprocket mark (e) and belt cover notch (f) are properly adjusted.

ST 499987500 CRANKSHAFT SOCKET



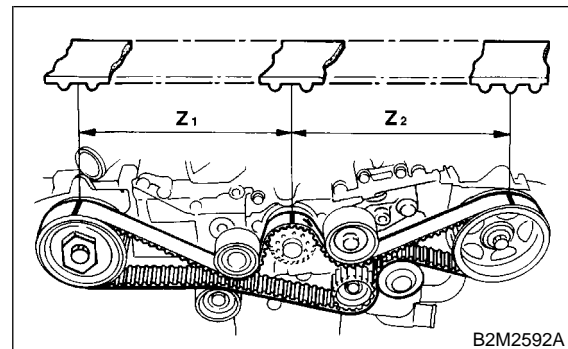
(2) Using white paint, put alignment and/or arrow marks on timing belts in relation to the crank sprocket and cam sprockets.



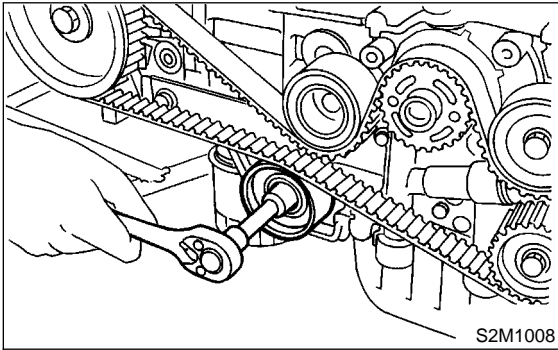
**Specified data:**

**Z<sub>1</sub>: 44 tooth length**

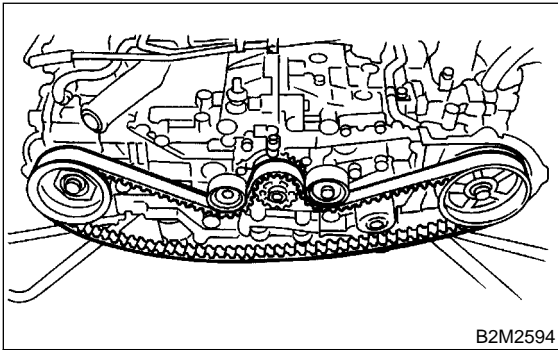
**Z<sub>2</sub>: 40.5 tooth length**



- 6) Remove belt idler (No. 2).
- 7) Remove belt idler No. 2.

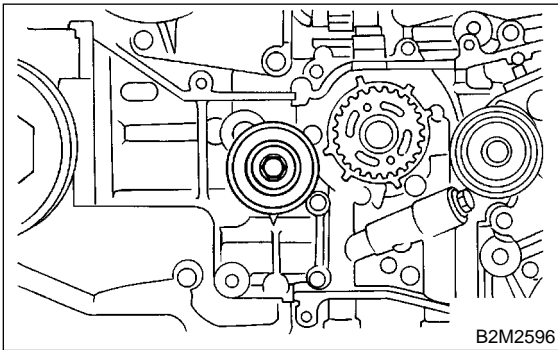


- 8) Remove timing belt.

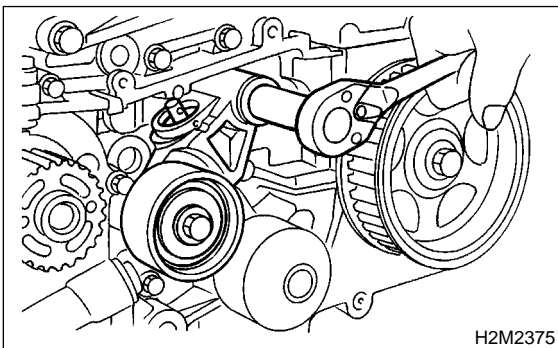


## 2. BELT IDLER AND AUTOMATIC BELT TENSION ADJUSTER ASSEMBLY S153099A1802

- 1) Remove belt idler (No. 1).



- 2) Remove automatic belt tension adjuster assembly.



## B: INSTALLATION S153099A11

### 1. AUTOMATIC BELT TENSION ADJUSTER ASSEMBLY AND BELT IDLER

S153099A1101

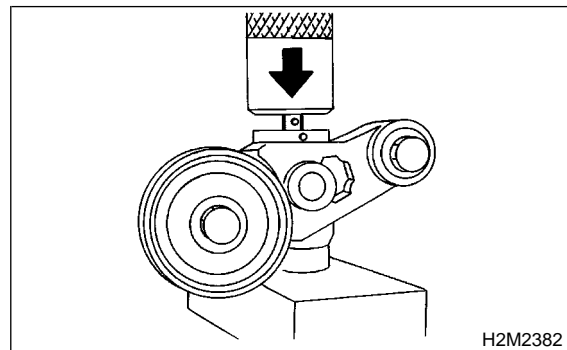
- 1) Preparation for installation of automatic belt tension adjuster assembly;

#### CAUTION:

- Always use a vertical type pressing tool to move the adjuster rod down.
- Do not use a lateral type vise.
- Push adjuster rod vertically.
- Be sure to slowly move the adjuster rod down applying a pressure of 294 N (30 kgf, 66 lb).
- Press-in the push adjuster rod gradually taking more than three minutes.
- Do not allow press pressure to exceed 9,807 N (1,000 kgf, 2,205 lb).
- Press the adjuster rod as far as the end surface of the cylinder. Do not press the adjuster rod into the cylinder. Doing so may damage the cylinder.
- Do not release press pressure until stopper pin is completely inserted.

- (1) Attach the automatic belt tension adjuster assembly to the vertical pressing tool.

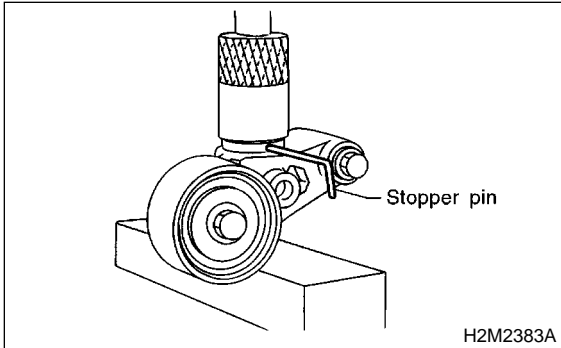
- (2) Slowly move the adjuster rod down with a pressure of 294 N (30 kgf, 66 lb) until the adjuster rod is aligned with the stopper pin hole in the cylinder.



# TIMING BELT ASSEMBLY

Mechanical

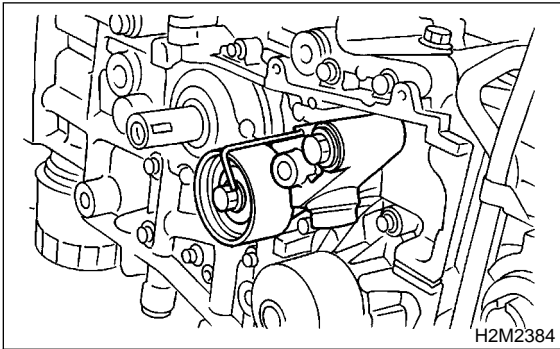
(3) With a 2 mm (0.08 in) dia. stopper pin or a 2 mm (0.08 in) (nominal) dia. hex bar wrench inserted into the stopper pin hole in the cylinder, secure the adjuster rod.



2) Install automatic belt tension adjuster assembly.

**Tightening torque:**

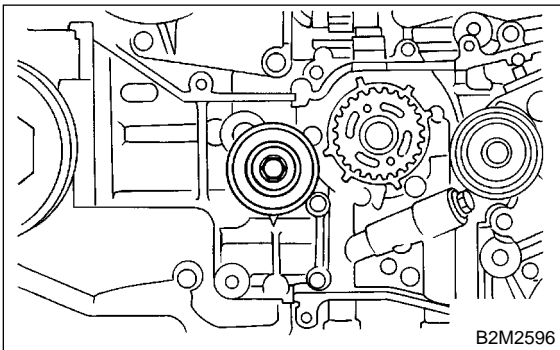
**25 N·m (2.5 kgf·m, 18.4 ft·lb)**



3) Install belt idler (No. 1).

**Tightening torque:**

**39 N·m (4.0 kgf·m, 28.9 ft·lb)**



## 2. TIMING BELT S153099A1102

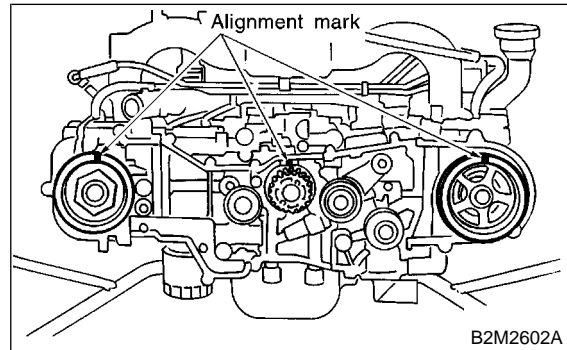
1) Preparation for installation of automatic belt tension adjuster assembly. <Ref. to ME(SOHC)-47, AUTOMATIC BELT TENSION ADJUSTER ASSEMBLY AND BELT IDLER, INSTALLATION, Timing Belt Assembly.>

2) Installation of timing belt

(1) Turn camshaft sprocket No. 2 using ST1, and turn camshaft sprocket No. 1 using ST2 so that their alignment marks come to top positions.

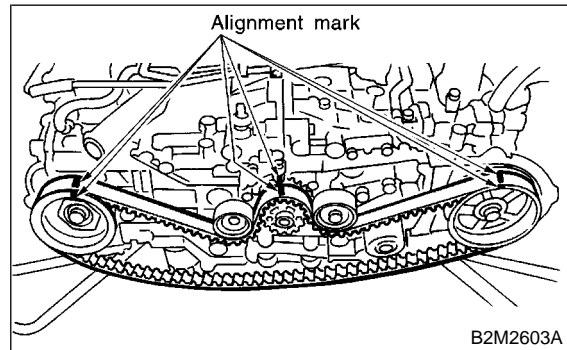
ST1 499207100 CAMSHAFT SPROCKET WRENCH

ST2 499207400 CAMSHAFT SPROCKET WRENCH



(2) While aligning alignment mark on timing belt with marks on sprockets, position timing belt properly.

**CAUTION:**  
Ensure belt's rotating direction is correct.



3) Install belt idler No. 2.

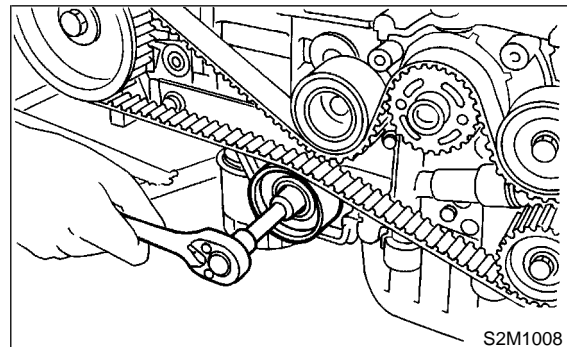
**Tightening torque:**

**39 N·m (4.0 kgf·m, 28.9 ft·lb)**

4) Install belt idler (No. 2).

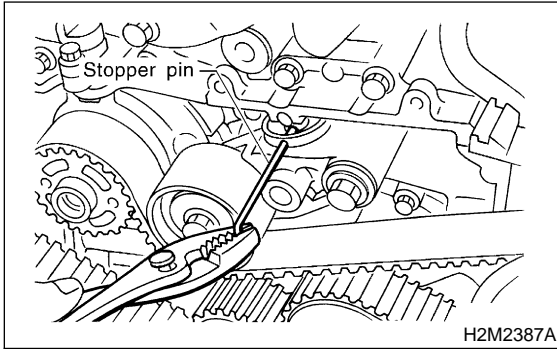
**Tightening torque:**

**39 N·m (4.0 kgf·m, 28.9 ft·lb)**

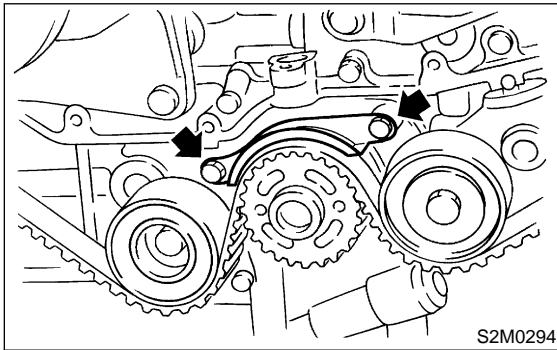




5) After ensuring that the marks on timing belt and camshaft sprockets are aligned, remove stopper pin from belt tensioner adjuster.



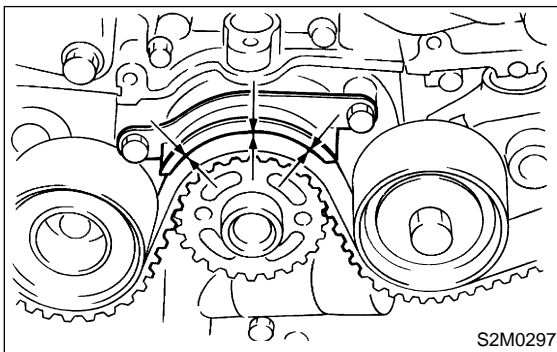
6) Install timing belt guide. (MT vehicles only)  
 (1) Temporarily tighten remaining bolts.



(2) Check and adjust clearance between timing belt and timing belt guide by using thickness gauge.

**Clearance:**

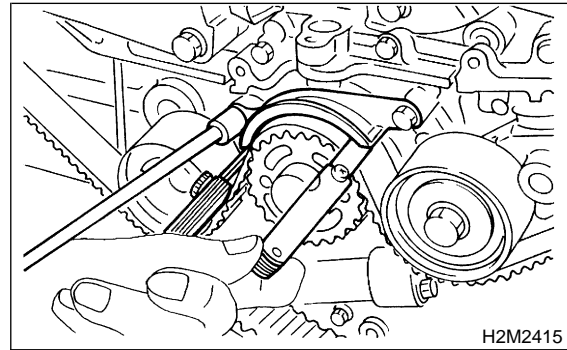
$1.0 \pm 0.5 \text{ mm (} 0.039 \pm 0.020 \text{ in)}$



(3) Tighten remaining bolts.

**Tightening torque:**

$9.8 \text{ N}\cdot\text{m (} 1.0 \text{ kgf}\cdot\text{m, } 7.2 \text{ ft}\cdot\text{lb)}$



7) Install belt cover. <Ref. to ME(SOHC)-45, INSTALLATION, Belt Cover.>

8) Install crankshaft pulley. <Ref. to ME(SOHC)-44, INSTALLATION, Crankshaft Pulley.>

9) Install V-belt. <Ref. to ME(SOHC)-42, INSTALLATION, V-belt.>

## C: INSPECTION

S153099A10

### 1. TIMING BELT

S153099A1001

1) Check timing belt teeth for breaks, cracks, and wear. If any fault is found, replace belt.

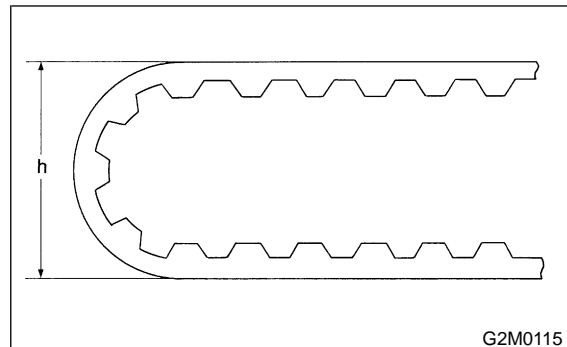
2) Check the condition of back side of belt; if any crack is found, replace belt.

#### CAUTION:

- Be careful not to let oil, grease or coolant contact the belt. Remove quickly and thoroughly if this happens.
- Do not bend the belt sharply.

**Bending radius:  $h$**

$60 \text{ mm (} 2.36 \text{ in)}$  or more



### 2. AUTOMATIC BELT TENSION ADJUSTER

S153099A1002

1) Visually check oil seals for leaks, and rod ends for abnormal wear or scratches. If necessary, replace faulty parts.

# TIMING BELT ASSEMBLY

Mechanical

## CAUTION:

**Slight traces of oil at rod's oil seal does not indicate a problem.**

2) Check that the adjuster rod does not move when a pressure of 294 N (30 kgf, 66 lb) is applied to it. This is to check adjuster rod stiffness.

3) If the adjuster rod is not stiff and moves freely when applying 294 N (30 kgf, 66 lb), check it using the following procedures:

(1) Slowly press the adjuster rod down to the end surface of the cylinder. Repeat this motion 2 or 3 times.

(2) With the adjuster rod moved all the way up, apply a pressure of 294 N (30 kgf, 66 lb) to it. Check adjuster rod stiffness.

(3) If the adjuster rod is not stiff and moves down, replace the automatic belt tension adjuster assembly with a new one.

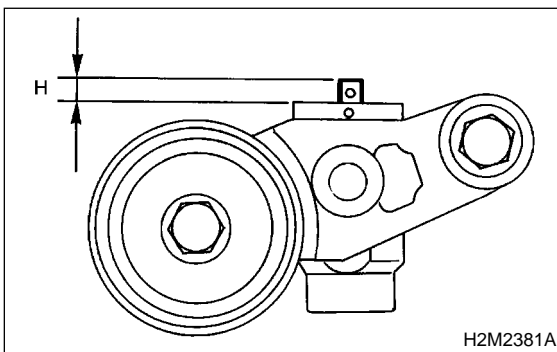
## CAUTION:

- Always use a vertical type pressing tool to move the adjuster rod down.
- Do not use a lateral type vise.
- Push adjuster rod vertically.
- Press-in the push adjuster rod gradually taking more than three minutes.
- Do not allow press pressure to exceed 9,807 N (1,000 kgf, 2,205 lb).
- Press the adjuster rod as far as the end surface of the cylinder. Do not press the adjuster rod into the cylinder. Doing so may damage the cylinder.

4) Measure the extension of rod beyond the body. If it is not within specifications, replace with a new one.

### Rod extension: *H*

$5.7 \pm 0.5 \text{ mm (} 0.224 \pm 0.020 \text{ in)}$



## 3. BELT TENSION PULLEY S153099A1003

1) Check mating surfaces of timing belt and contact point of adjuster rod for abnormal wear or scratches. Replace automatic belt tension adjuster assembly if faulty.

2) Check tension pulley for smooth rotation. Replace if noise or excessive play is noted.

3) Check tension pulley for grease leakage.

## 4. BELT IDLER S153099A1004

1) Check belt idler for smooth rotation. Replace if noise or excessive play is noted.

2) Check belt outer contacting surfaces of idler pulley for abnormal wear and scratches.

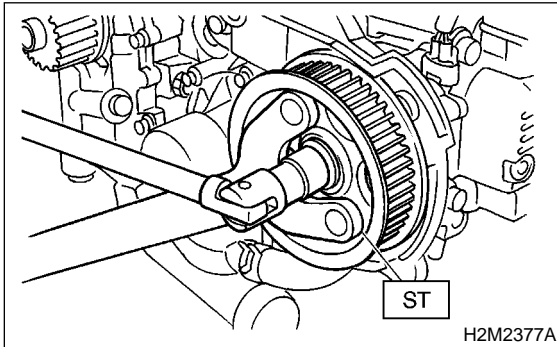
3) Check belt idler for grease leakage.

## 16. Camshaft Sprocket S153097

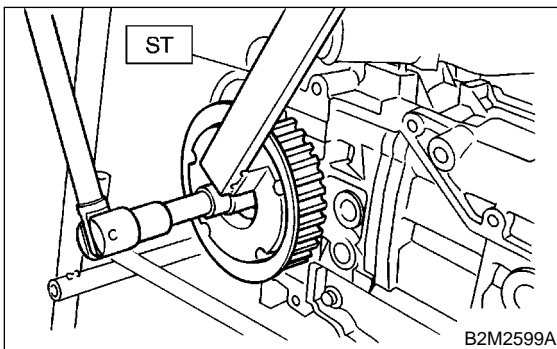
### A: REMOVAL S153097A18

#### 1. REMOVAL S153097A1801

- 1) Remove V-belt. <Ref. to ME(SOHC)-42, REMOVAL, V-belt.>
- 2) Remove crankshaft pulley. <Ref. to ME(SOHC)-44, REMOVAL, Crankshaft Pulley.>
- 3) Remove belt cover. <Ref. to ME(SOHC)-45, REMOVAL, Belt Cover.>
- 4) Remove timing belt assembly. <Ref. to ME(SOHC)-46, REMOVAL, Timing Belt Assembly.>
- 5) Remove camshaft position sensor. (With OBD) <Ref. to FU(SOHC)-30, REMOVAL, Camshaft Position Sensor.>
- 6) Remove camshaft sprocket No. 2. To lock camshaft, use ST.  
ST 499207100 CAMSHAFT SPROCKET WRENCH



- 7) Remove camshaft sprocket No. 1. To lock camshaft, use ST.  
ST 499207400 CAMSHAFT SPROCKET WRENCH



### B: INSTALLATION S153097A11

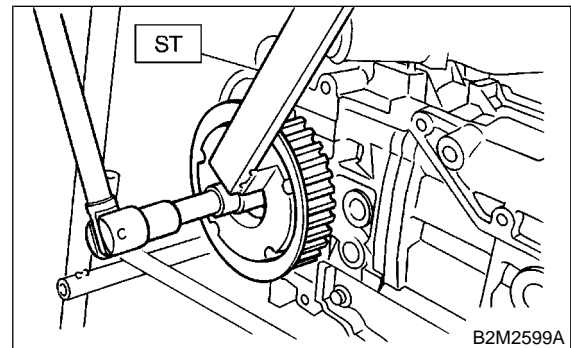
- 1) Install camshaft sprocket No. 1. To lock camshaft, use ST.  
ST 499207400 CAMSHAFT SPROCKET WRENCH

#### Tightening torque:

**78 N·m (8.0 kgf·m, 57.9 ft·lb)**

#### CAUTION:

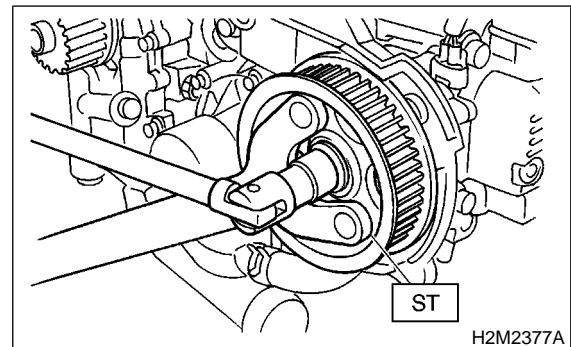
Do not confuse left and right side camshaft sprockets during installation. The camshaft sprocket No. 2 is identified by a projection used to monitor camshaft position sensor.



- 2) Install camshaft sprocket No. 2. To lock camshaft, use ST.  
ST 499207100 CAMSHAFT SPROCKET WRENCH

#### Tightening torque:

**78 N·m (8.0 kgf·m, 57.9 ft·lb)**



- 3) Install camshaft position sensor. (With OBD) <Ref. to FU(SOHC)-30, INSTALLATION, Camshaft Position Sensor.>
- 4) Install timing belt assembly. <Ref. to ME(SOHC)-47, INSTALLATION, Timing Belt Assembly.>
- 5) Install belt cover. <Ref. to ME(SOHC)-45, INSTALLATION, Belt Cover.>
- 6) Install crankshaft pulley. <Ref. to ME(SOHC)-44, INSTALLATION, Crankshaft Pulley.>
- 7) Install V-belt. <Ref. to ME(SOHC)-42, INSTALLATION, V-belt.>

# CAMSHAFT SPROCKET

Mechanical

---

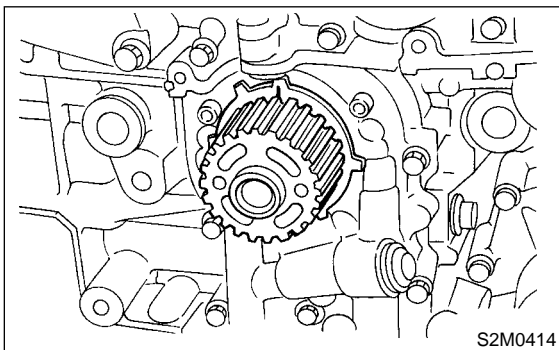
## **C: INSPECTION** S153097A10

- 1) Check sprocket teeth for abnormal wear and scratches.
- 2) Make sure there is no free play between sprocket and key.
- 3) Check camshaft sprocket notch for sensor for damage and contamination of foreign matter.

## 17. Crankshaft Sprocket S153101

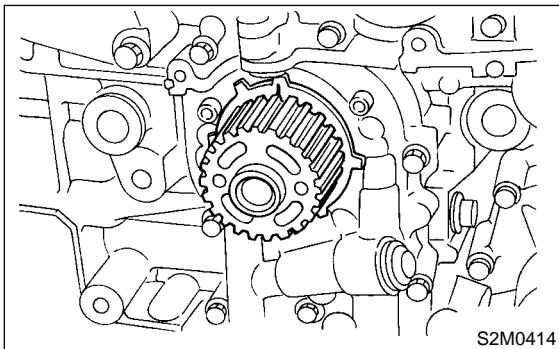
### A: REMOVAL S153101A18

- 1) Remove V-belt. <Ref. to ME(SOHC)-42, REMOVAL, V-belt.>
- 2) Remove crankshaft pulley. <Ref. to ME(SOHC)-44, REMOVAL, Crankshaft Pulley.>
- 3) Remove belt cover. <Ref. to ME(SOHC)-45, REMOVAL, Belt Cover.>
- 4) Remove timing belt assembly. <Ref. to ME(SOHC)-46, REMOVAL, Timing Belt Assembly.>
- 5) Remove camshaft sprocket. <Ref. to ME(SOHC)-51, REMOVAL, Camshaft Sprocket.>
- 6) Remove crankshaft sprocket.



### B: INSTALLATION S153101A11

- 1) Install crankshaft sprocket.



- 2) Install camshaft sprocket. <Ref. to ME(SOHC)-51, INSTALLATION, Camshaft Sprocket.>
- 3) Install timing belt assembly. <Ref. to ME(SOHC)-47, INSTALLATION, Timing Belt Assembly.>
- 4) Install belt cover. <Ref. to ME(SOHC)-45, INSTALLATION, Belt Cover.>
- 5) Install crankshaft pulley. <Ref. to ME(SOHC)-44, INSTALLATION, Crankshaft Pulley.>
- 6) Install V-belt. <Ref. to ME(SOHC)-42, INSTALLATION, V-belt.>

### C: INSPECTION S153101A10

- 1) Check sprocket teeth for abnormal wear and scratches.
- 2) Make sure there is no free play between sprocket and key.
- 3) Check crankshaft sprocket notch for sensor for damage and contamination of foreign matter.

# VALVE ROCKER ASSEMBLY

Mechanical

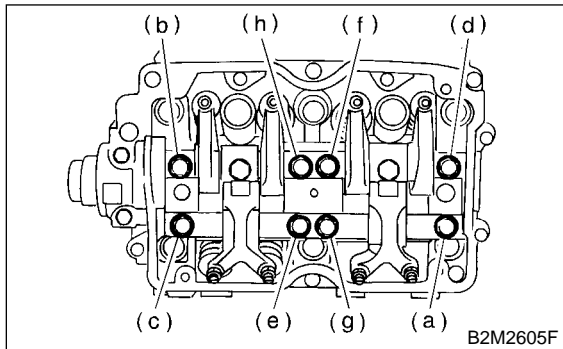
## 18. Valve Rocker Assembly S153094

### A: REMOVAL S153094A18

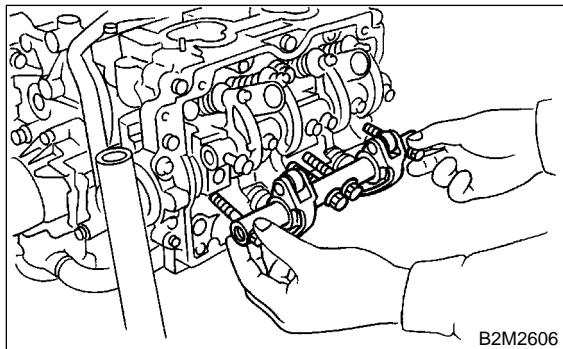
- 1) Remove V-belt. <Ref. to ME(SOHC)-42, REMOVAL, V-belt.>
- 2) Remove crankshaft pulley. <Ref. to ME(SOHC)-44, REMOVAL, Crankshaft Pulley.>
- 3) Remove belt cover. <Ref. to ME(SOHC)-45, REMOVAL, Belt Cover.>
- 4) Remove timing belt assembly. <Ref. to ME(SOHC)-46, REMOVAL, Timing Belt Assembly.>
- 5) Remove camshaft sprocket. <Ref. to ME(SOHC)-51, REMOVAL, Camshaft Sprocket.>
- 6) Disconnect PCV hose and remove rocker cover.
- 7) Removal of valve rocker assembly
  - (1) Remove bolts (a) through (h) in alphabetical sequence.

#### CAUTION:

Leave two or three threads of bolts (g and h) engaged to retain valve rocker assembly.



- (2) Remove valve rocker assembly.



### B: INSTALLATION S153094A11

- 1) Installation of valve rocker assembly
  - (1) Temporarily tighten bolts (a) through (d) equally as shown in figure.

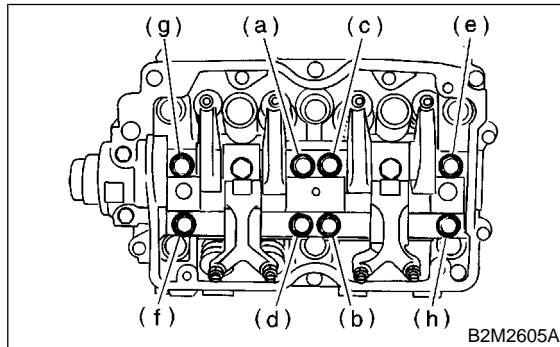
#### CAUTION:

Do not allow valve rocker assembly to gouge knock pins.

- (2) Tighten bolts (e) through (h) to specified torque.
- (3) Tighten bolts (a) through (d) to specified torque.

#### Tightening torque:

**25 N·m (2.5 kgf·m, 18.1 ft·lb)**



- 2) Adjust the valve clearances. <Ref. to ME(SOHC)-30, ADJUSTMENT, Valve Clearance.>
- 3) Install rocker cover and connect PCV hose.
- 4) Install camshaft sprocket. <Ref. to ME(SOHC)-51, INSTALLATION, Camshaft Sprocket.>
- 5) Install timing belt assembly. <Ref. to ME(SOHC)-47, INSTALLATION, Timing Belt Assembly.>
- 6) Install belt cover. <Ref. to ME(SOHC)-45, INSTALLATION, Belt Cover.>
- 7) Install crankshaft pulley. <Ref. to ME(SOHC)-44, INSTALLATION, Crankshaft Pulley.>
- 8) Install V-belt. <Ref. to ME(SOHC)-42, INSTALLATION, V-belt.>

### C: DISASSEMBLY S153094A06

- 1) Remove bolts which secure rocker shaft.
- 2) Extract rocker shaft. Remove valve rocker arms, springs and shaft supports from rocker shaft.

#### CAUTION:

Arrange all removed parts in order so that they can be installed in their original positions.

- 3) Remove nut and adjuster screw from valve rocker.

### D: ASSEMBLY S153094A02

- 1) Install adjuster screw and nut to valve rocker.
- 2) Arrange valve rocker arms, springs and shaft supports in assembly order and insert valve rocker shaft.

#### Tightening torque (Shaft supports installing bolts):

**5 N·m (0.5 kgf·m, 3.6 ft·lb)**

#### CAUTION:

Valve rocker arms, rocker shaft and shaft supports have identification marks. Ensure parts with same markings are properly assembled.

3) Install valve rocker shaft securing bolts.

## E: INSPECTION S153094A10

### 1. VALVE ROCKER ARM S153094A1001

1) Measure inside diameter of valve rocker arm and outside diameter of valve rocker shaft, and determine the difference between the two (= oil clearance).

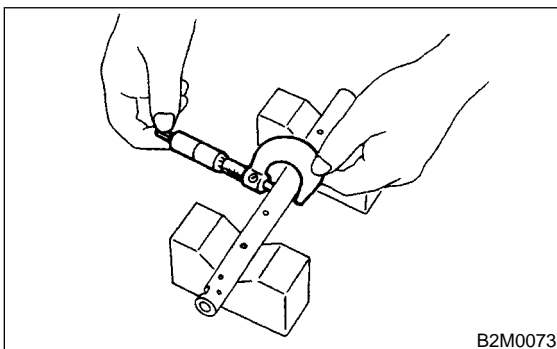
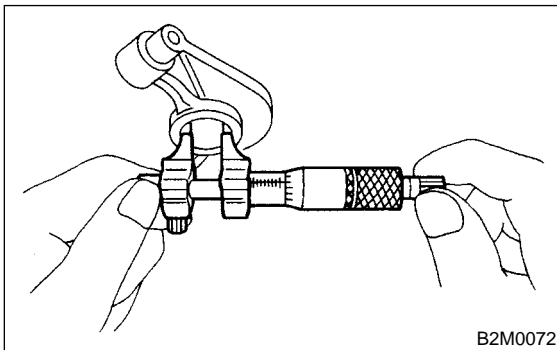
#### **Clearance between arm and shaft:**

##### **Standard**

**0.020 — 0.054 mm (0.0008 — 0.0021 in)**

##### **Limit**

**0.10 mm (0.0039 in)**



2) If oil clearance exceeds the limit, replace valve rocker arm or shaft, whichever shows greater amount of wear.

#### **Rocker arm inside diameter:**

**22.020 — 22.041 mm (0.8669 — 0.8678 in)**

#### **Rocker shaft diameter:**

**21.987 — 22.000 mm (0.8656 — 0.8661 in)**

3) Measure inside diameter of rocker shaft support and outside diameter of valve rocker shaft, and determine the difference between the two (= oil clearance).

#### **Clearance between support and shaft:**

##### **Standard**

**0.005 — 0.039 mm (0.0002 — 0.0015 in)**

##### **Limit**

**0.05 mm (0.0020 in)**

4) If oil clearance exceeds the limit, replace rocker shaft support or shaft, whichever shows greater amount of wear.

#### **Rocker shaft support inside diameter:**

**22.005 — 22.026 mm (0.8663 — 0.8672 in)**

#### **Rocker shaft diameter:**

**21.987 — 22.000 mm (0.8656 — 0.8661 in)**

5) If cam or valve contact surface of valve rocker arm is worn or dented excessively, replace valve rocker arm.

6) Check that valve rocker arm roller rotates smoothly. If not, replace valve rocker arm.

## 2. INTAKE AND EXHAUST VALVE ROCKER SHAFT S153094A1002

Visually check oil relief valve of shaft end for any of the following abnormalities.

- Breaks in check ball body
- Foreign particles caught in valve spring
- Oil leakage at check ball

#### **CAUTION:**

**Repair or replace valve rocker shaft as necessary.**

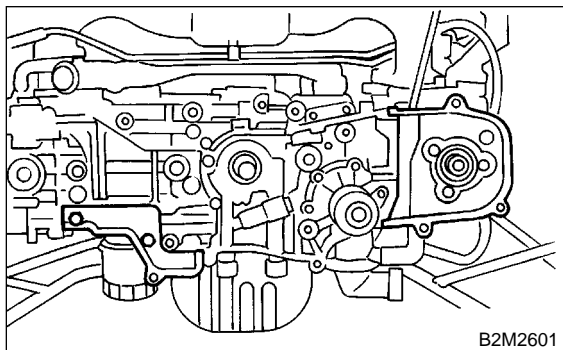
## 19. Camshaft S153092

### A: REMOVAL S153092A18

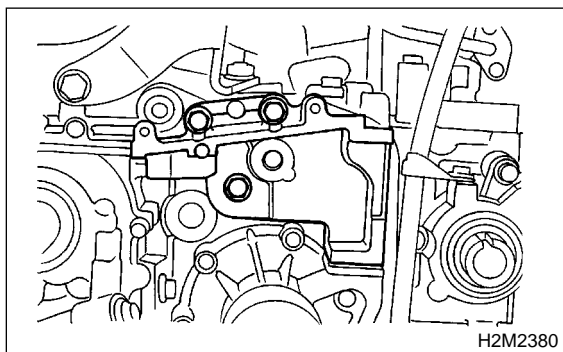
- 1) Remove V-belt. <Ref. to ME(SOHC)-42, INSTALLATION, V-belt.>
- 2) Remove crankshaft pulley. <Ref. to ME(SOHC)-44, REMOVAL, Crankshaft Pulley.>
- 3) Remove belt cover. <Ref. to ME(SOHC)-45, REMOVAL, Belt Cover.>
- 4) Remove timing belt assembly. <Ref. to ME(SOHC)-46, REMOVAL, Timing Belt Assembly.>
- 5) Remove camshaft sprocket. <Ref. to ME(SOHC)-51, REMOVAL, Camshaft Sprocket.>
- 6) Remove crankshaft sprocket. <Ref. to ME(SOHC)-53, REMOVAL, Crankshaft Sprocket.>
- 7) Remove belt cover No. 2 (LH).
- 8) Remove belt cover No. 2 (RH).

#### CAUTION:

Do not damage or lose the seal rubber when removing belt covers.

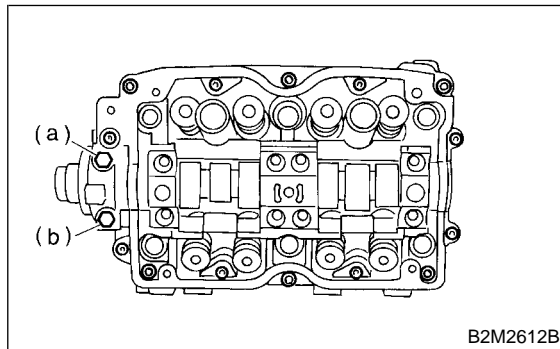


- 9) Remove tensioner bracket.

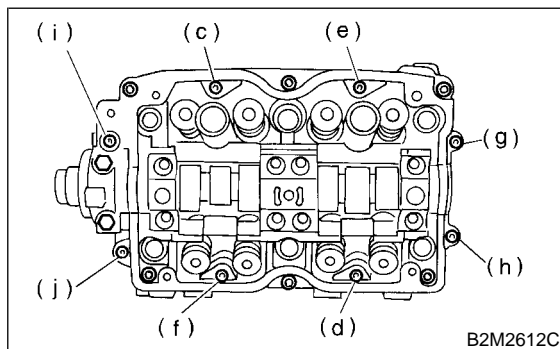


- 10) Remove camshaft position sensor support. (LH side only)
- 11) Remove oil level gauge guide. (LH side only)
- 12) Remove valve rocker assembly. <Ref. to ME(SOHC)-54, REMOVAL, Valve Rocker Assembly.>
- 13) Remove camshaft cap.

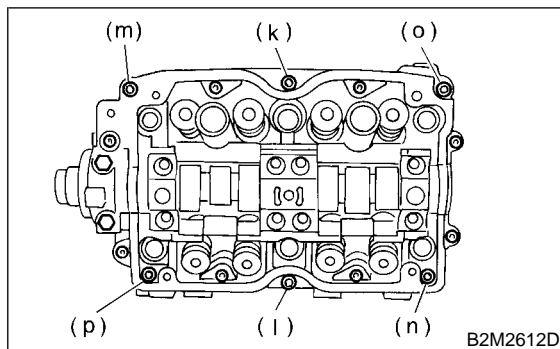
- (1) Remove bolts (a) through (b) in alphabetical sequence.



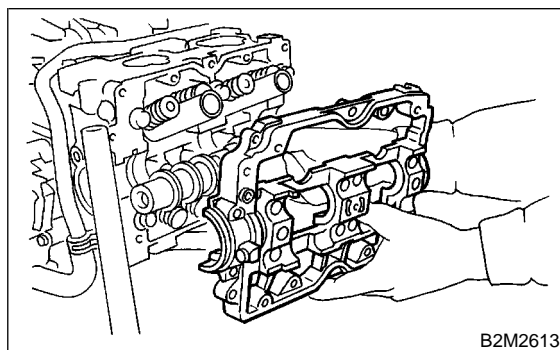
- (2) Equally loosen bolts (c) through (j) all the way in alphabetical sequence.



- (3) Remove bolts (k) through (p) in alphabetical sequence using ST.
- ST 499497000 TORX PLUS



- (4) Remove camshaft cap.



- 14) Remove camshaft.
- 15) Remove oil seal.



16) Remove plug from rear side of camshaft.

**CAUTION:**

- Do not remove oil seal unless necessary.
- Do not scratch journal surface when removing oil seal.

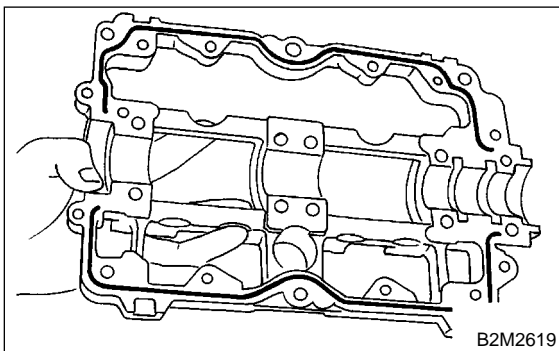
**B: INSTALLATION**

S153092A11

- 1) Apply a coat of engine oil to camshaft journals and install camshaft.
- 2) Install camshaft cap.
  - (1) Apply liquid gasket on the around of camshaft cap.

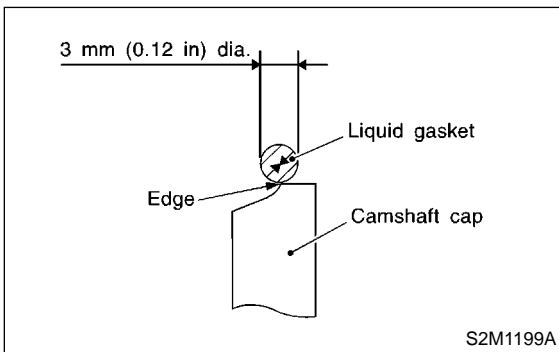
**Liquid gasket:**

**THREE BOND 1280B**  
**P/N K0877YA018**

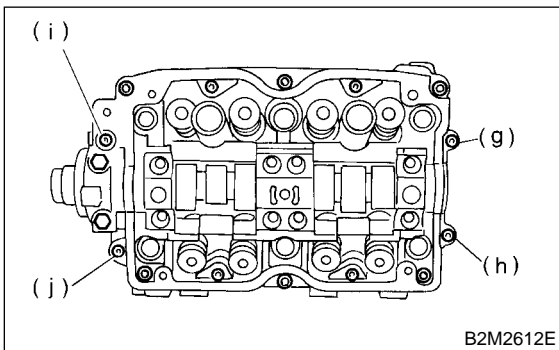


**NOTE:**

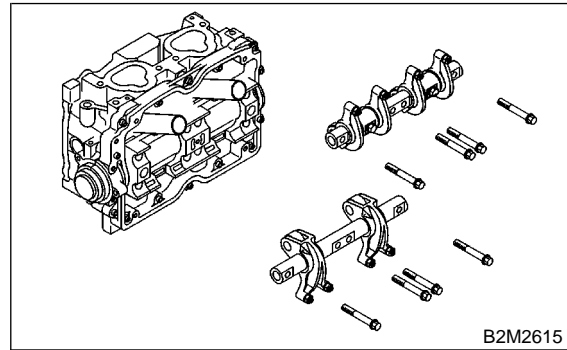
Apply a coat of 3 mm (0.12 in) dia. liquid gasket along edge of cam cap mating surface.



(2) Temporarily tighten bolts (g) through (j) in alphabetical sequence.



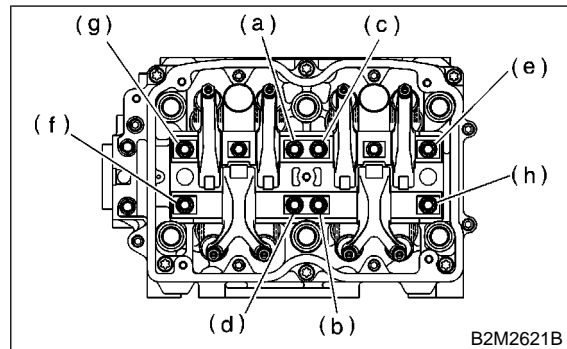
(3) Install valve rocker assembly.



(4) Tighten bolts (a) through (h) in alphabetical sequence.

**Tightening torque:**

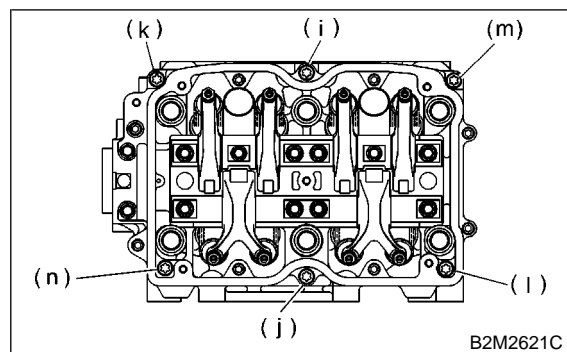
**25 N·m (2.5 kgf·m, 18.1 ft·lb)**



(5) Tighten TORX bolts (i) through (n) in alphabetical sequence using ST.  
 ST 499427000 TORX PLUS

**Tightening torque:**

**18 N·m (1.8 kgf·m, 13.0 ft·lb)**



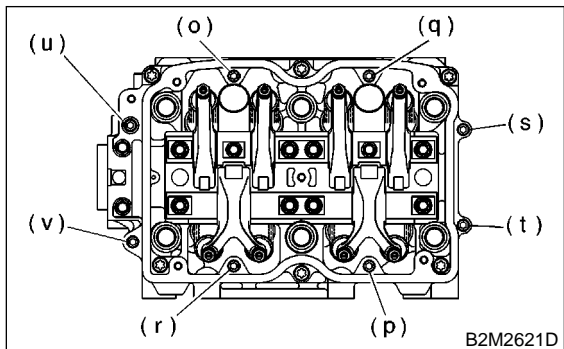
# CAMSHAFT

Mechanical

(6) Tighten bolts (o) through (v) in alphabetical sequence.

**Tightening torque:**

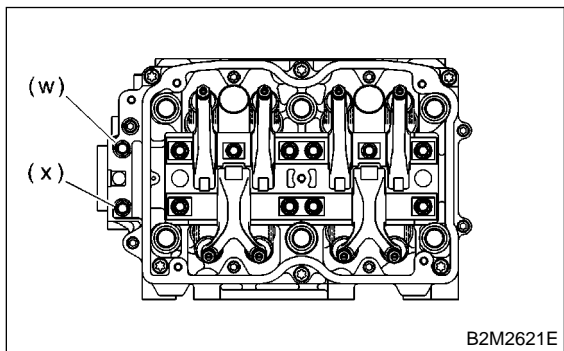
**10 N·m (1.0 kgf·m, 7.2 ft·lb)**



(7) Tighten bolts (w) through (x) in alphabetical sequence.

**Tightening torque:**

**10 N·m (1.0 kgf·m, 7.2 ft·lb)**



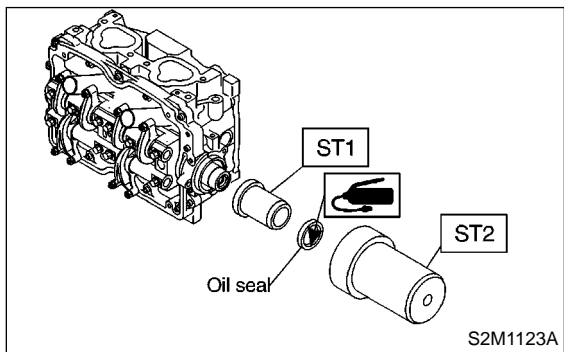
3) Apply a coat of grease to oil seal lips and install oil seal (A) on camshaft using ST1 and ST2.

**CAUTION:**

**Use a new oil seal.**

ST1 499597000 OIL SEAL GUIDE

ST2 499587500 OIL SEAL INSTALLER



4) Install plug using ST.

ST 499587700 OIL SEAL INSTALLER

5) Adjust the valve clearance. <Ref. to ME(SOHC)-30, ADJUSTMENT, Valve Clearance.>

6) Install rocker cover and connect PCV hose.

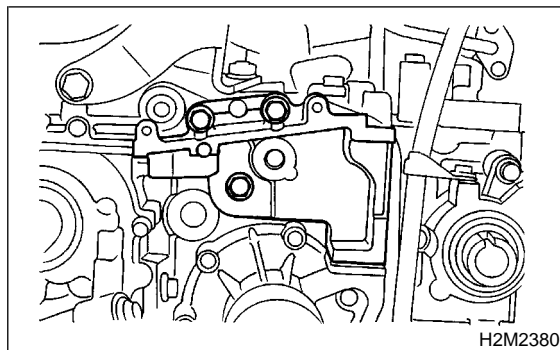
7) Install oil level gauge guide. (LH side only)

8) Install camshaft position sensor support. (LH side only)

9) Install tensioner bracket.

**Tightening torque:**

**25 N·m (2.5 kgf·m, 18.1 ft·lb)**



10) Install belt cover No. 2 (RH).

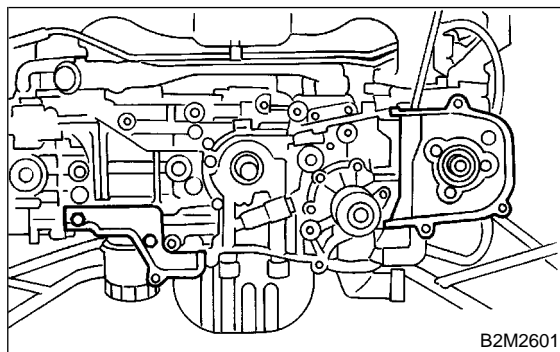
**Tightening torque:**

**5 N·m (0.5 kgf·m, 3.6 ft·lb)**

11) Install belt cover No. 2 (LH).

**Tightening torque:**

**5 N·m (0.5 kgf·m, 3.6 ft·lb)**



12) Install crankshaft sprocket. <Ref. to ME(SOHC)-53, INSTALLATION, Crankshaft Sprocket.>

13) Install camshaft sprocket. <Ref. to ME(SOHC)-51, INSTALLATION, Camshaft Sprocket.>

14) Install timing belt assembly. <Ref. to ME(SOHC)-47, INSTALLATION, Timing Belt Assembly.>

15) Install belt cover. <Ref. to ME(SOHC)-45, INSTALLATION, Belt Cover.>

16) Install crankshaft pulley. <Ref. to ME(SOHC)-44, INSTALLATION, Crankshaft Pulley.>

17) Install V-belt. <Ref. to ME(SOHC)-42, INSTALLATION, V-belt.>

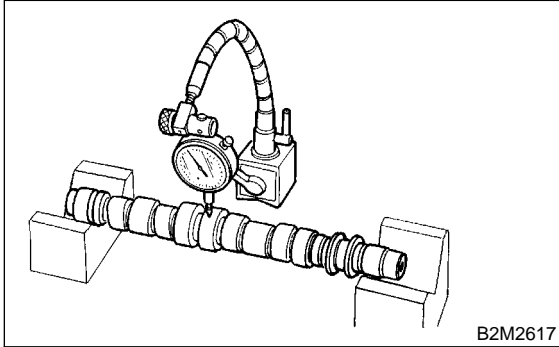
## C: INSPECTION S153092A10

### 1. CAMSHAFT S153092A1001

1) Measure the bend, and repair or replace if necessary.

**Limit:**

**0.025 mm (0.0010 in)**



- 2) Check journal for damage and wear. Replace if faulty.
- 3) Measure outside diameter of camshaft journal and inside diameter of cylinder head journal, and determine the difference between the two (= oil clearance). If oil clearance exceeds specifications, replace camshaft or cylinder head as necessary.

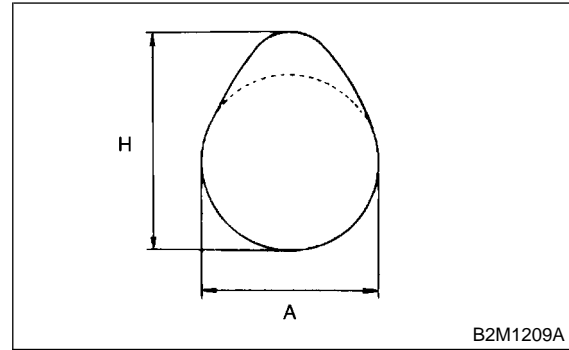
		Unit: mm (in)
Clearance at journal	Standard	0.055 — 0.090 (0.0022 — 0.0035)
	Limit	0.10 (0.0039)
Camshaft journal O.D.		31.928 — 31.945 (1.2570 — 1.2577)
Journal hole I.D.		32.000 — 32.018 (1.2598 — 1.2605)

4) Check cam face condition; remove minor faults by grinding with oil stone. Measure the cam height H; replace if the limit has been exceeded.

**Cam height: H**

Item		Unit: mm (in)
Intake	STD	38.732 — 38.832 (1.5249 — 1.528885)
	Limit	39.632 (1.5209)
Exhaust	STD	39.257 — 39.357 (1.5455 — 1.5495)
	Limit	39.157 (1.5416)

**Cam base circle diameter A:**  
**IN: 34.00 mm (1.3386 in)**  
**EX: 34.00 mm (1.3386 in)**



### 2. CAMSHAFT SUPPORT S153092A1002

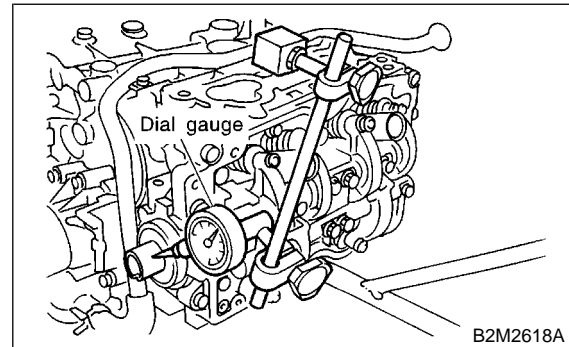
Measure the thrust clearance of camshaft with dial gauge. If the clearance exceeds the limit, replace camshaft support.

**Standard:**

**0.030 — 0.090 mm (0.0012 — 0.0035 in)**

**Limit:**

**0.10 mm (0.0039 in)**



# CYLINDER HEAD ASSEMBLY

Mechanical

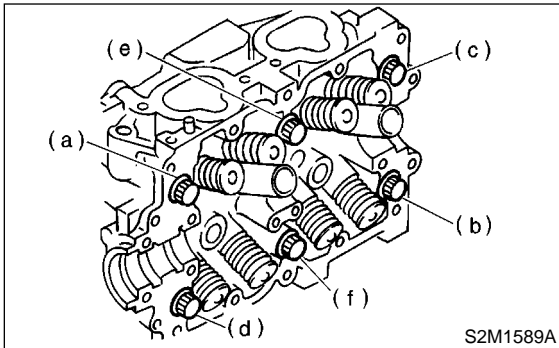
## 20. Cylinder Head Assembly S153093

### A: REMOVAL S153093A18

- 1) Remove V-belt. <Ref. to ME(SOHC)-42, REMOVAL, V-belt.>
- 2) Remove crankshaft pulley. <Ref. to ME(SOHC)-44, REMOVAL, Crankshaft Pulley.>
- 3) Remove belt cover. <Ref. to ME(SOHC)-45, REMOVAL, Belt Cover.>
- 4) Remove timing belt assembly. <Ref. to ME(SOHC)-46, REMOVAL, Timing Belt Assembly.>
- 5) Remove camshaft sprocket. <Ref. to ME(SOHC)-51, REMOVAL, Camshaft Sprocket.>
- 6) Remove intake manifold. <Ref. to FU(SOHC)-15, REMOVAL, Intake Manifold.> or <Ref. to FU(SOHCw/oOBD)-12, REMOVAL, Intake Manifold.>
- 7) Remove bolt which installs A/C compressor bracket on cylinder head.
- 8) Remove valve rocker assembly. <Ref. to ME(SOHC)-54, REMOVAL, Valve Rocker Assembly.>
- 9) Remove camshaft. <Ref. to ME(SOHC)-56, REMOVAL, Camshaft.>
- 10) Remove cylinder head bolts in alphabetical sequence shown in figure.

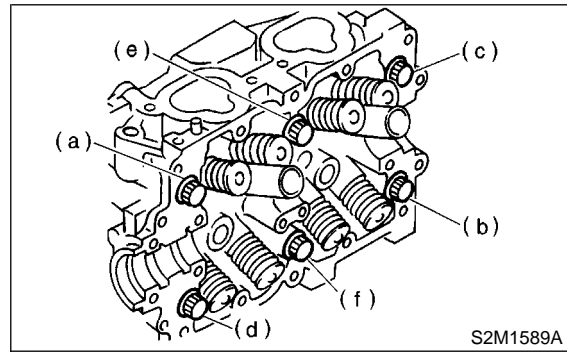
#### CAUTION:

Leave bolts (a) and (c) engaged by three or four threads to prevent cylinder head from falling.



- 11) While tapping cylinder head with a plastic hammer, separate it from cylinder block.

- 12) Remove bolts (a) and (b) to remove cylinder head.



- 13) Remove cylinder head gasket.

#### CAUTION:

Do not scratch the mating surface of cylinder head and cylinder block.

- 14) Similarly, remove right side cylinder head.

### B: INSTALLATION S153093A11

- 1) Install cylinder head and gaskets on cylinder block.

#### CAUTION:

- Use new cylinder head gaskets.
- Be careful not to scratch the mating surface of cylinder block and cylinder head.

- 2) Tighten cylinder head bolts.
  - (1) Apply a coat of engine oil to washers and bolt threads.
  - (2) Tighten all bolts to 29 N·m (3.0 kgf-m, 22 ft-lb) in alphabetical sequence. Then tighten all bolts to 69 N·m (7.0 kgf-m, 51 ft-lb) in alphabetical sequence.
  - (3) Back off all bolts by 180° first; back them off by 180° again.
  - (4) Tighten bolts (a) and (b) to 34 N·m (3.5 kgf-m, 25 ft-lb).
  - (5) Tighten bolts (c), (d), (e) and (f) to 15 N·m (1.5 kgf-m, 11 ft-lb).
  - (6) Tighten all bolts by 80 to 90° in alphabetical sequence.

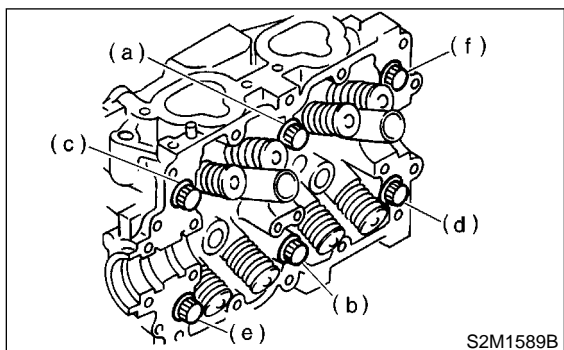
#### CAUTION:

Do not tighten bolts more than 90°.

(7) Further tighten all bolts by 80 to 90° in alphabetical sequence shown in figure below.

**CAUTION:**

**Ensure that the total “re-tightening angle” [in the former two steps], do not exceed 180°.**



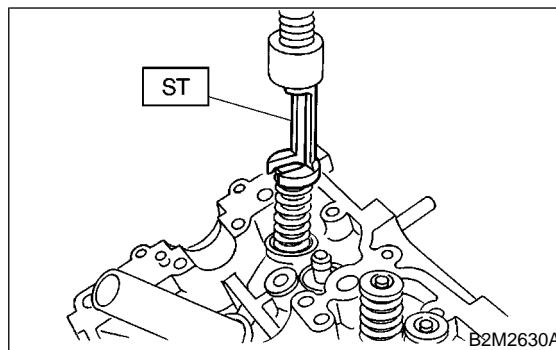
- 3) Install camshaft. <Ref. to ME(SOHC)-57, INSTALLATION, Camshaft.>
- 4) Install valve rocker assembly. <Ref. to ME(SOHC)-54, INSTALLATION, Valve Rocker Assembly.>
- 5) Install A/C compressor bracket on cylinder head.
- 6) Install intake manifold. <Ref. to FU(SOHC)-17, INSTALLATION, Intake Manifold.> or <Ref. to FU(SOHCw/oOBD)-15, INSTALLATION, Intake Manifold.>
- 7) Install camshaft sprocket. <Ref. to ME(SOHC)-51, INSTALLATION, Camshaft Sprocket.>
- 8) Install timing belt assembly. <Ref. to ME(SOHC)-47, INSTALLATION, Timing Belt Assembly.>
- 9) Install belt cover. <Ref. to ME(SOHC)-45, INSTALLATION, Belt Cover.>
- 10) Install crankshaft pulley. <Ref. to ME(SOHC)-44, INSTALLATION, Crankshaft Pulley.>
- 11) Install V-belt. <Ref. to ME(SOHC)-42, INSTALLATION, V-belt.>

**C: DISASSEMBLY** S153093A06

- 1) Place cylinder head on ST.  
ST 498267800 CYLINDER HEAD TABLE
- 2) Set ST on valve spring. Compress valve spring and remove the valve spring retainer key. Remove each valve and valve spring.  
ST 499718000 VALVE SPRING REMOVER

**CAUTION:**

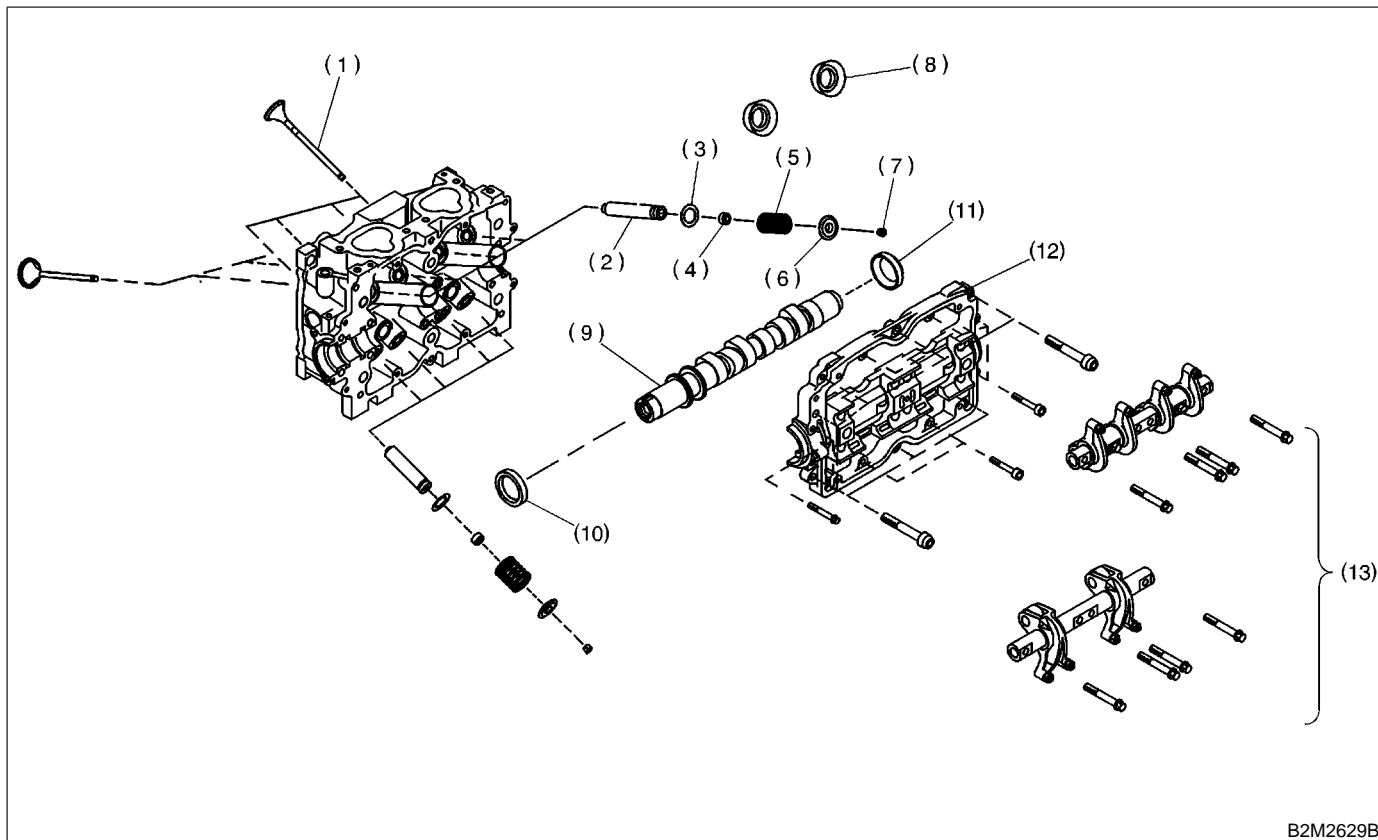
- Mark each valve to prevent confusion.
- Use extreme care not to damage the lips of the intake valve oil seals and exhaust valve oil seals.



# CYLINDER HEAD ASSEMBLY

Mechanical

## D: ASSEMBLY S153093A02



B2M2629B

- |                       |                       |                        |
|-----------------------|-----------------------|------------------------|
| (1) Valve             | (6) Retainer          | (11) Plug              |
| (2) Valve guide       | (7) Retainer key      | (12) Camshaft cap      |
| (3) Valve spring seat | (8) Spark plug gasket | (13) Valve rocker ASSY |
| (4) Oil seal          | (9) Camshaft          |                        |
| (5) Valve spring      | (10) Oil seal         |                        |

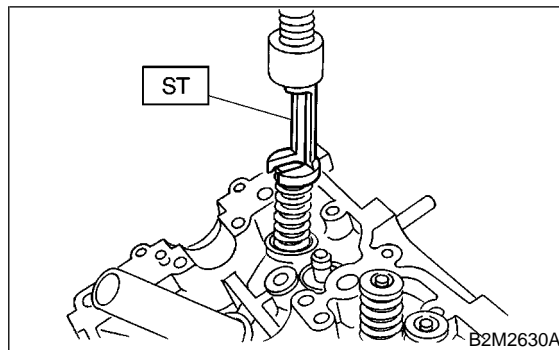
- 1) Installation of valve spring and valve  
 (1) Place cylinder head on ST.  
 ST 498267800 CYLINDER HEAD TABLE  
 (2) Coat stem of each valve with engine oil and insert valve into valve guide.

**CAUTION:**  
 When inserting valve into valve guide, use special care not to damage the oil seal lip.

- (3) Install valve spring and retainer.

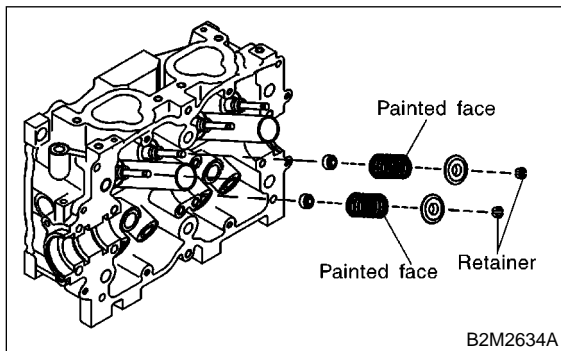
**CAUTION:**  
 Be sure to install the valve springs with their close-coiled end facing the seat on the cylinder head.

- (4) Set ST on valve spring.  
 ST 499718000 VALVE SPRING REMOVER



B2M2630A

(5) Compress valve spring and fit valve spring retainer key.



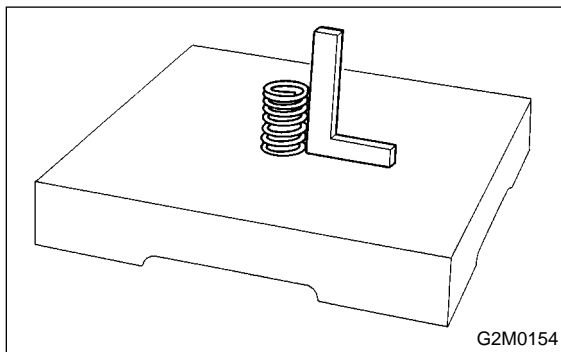
(6) After installing, tap valve spring retainers lightly with wooden hammer for better seating.

## E: INSPECTION S153093A10

### 1. VALVE SPRING S153093A1001

- 1) Check valve springs for damage, free length, and tension. Replace valve spring if it is not to the specifications presented below.
- 2) To measure the squareness of the valve spring, stand the spring on a surface plate and measure its deflection at the top using a try square.

Free length	54.30 mm (2.1378 in)
Squareness	2.5°, 2.4 mm (0.094 in)
Tension/spring height	218.7 — 242.5 N (22.3 — 24.7 kgf, 49.2 — 54.5 lb)/ 45.0 mm (1.772 in)
	526.6 — 581.6 N (53.7 — 59.3 kgf, 118.4 — 130.8 lb)/34.7 mm (1.366 in)



### 2. INTAKE AND EXHAUST VALVE OIL SEAL S153093A1002

Replace oil seal with new one, if lip is damaged or spring out of place, or when the surfaces of intake valve and valve seat are reconditioned or intake valve guide is replaced. Use pliers to pinch and remove oil seal from valve.

- 1) Place cylinder head on ST1.
- 2) Press-fit oil seal to the specified dimension indicated in the figure using ST2.

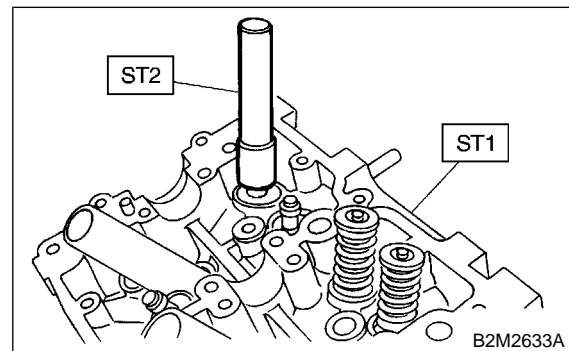
## CAUTION:

- Apply engine oil to oil seal before press-fitting.
- When press-fitting oil seal, do not use hammer or strike in.
- Differentiate between intake valve oil seal and exhaust valve oil seal by noting their difference in color.

ST1 498267800 CYLINDER HEAD TABLE  
ST2 498857100 VALVE OIL SEAL GUIDE

**Color of rubber part:**  
*Intake [Black]*  
*Exhaust [Brown]*

**Color of spring part:**  
*Intake [Silver]*  
*Exhaust [Silver]*



## F: ADJUSTMENT S153093A01

### 1. CYLINDER HEAD S153093A0101

- 1) Make sure that no crack or other damage exists. In addition to visual inspection, inspect important areas by means of red lead check. Also make sure that gasket installing surface shows no trace of gas and water leaks.
- 2) Place cylinder head on ST.
- ST 498267800 CYLINDER HEAD TABLE
- 3) Measure the warping of the cylinder head surface that mates with crankcase using a straight edge and thickness gauge. If the warping exceeds 0.05 mm (0.0020 in), grind the surface with a surface grinder.

**Warping limit:**  
*0.05 mm (0.0020 in)*

**Grinding limit:**  
*0.1 mm (0.004 in)*

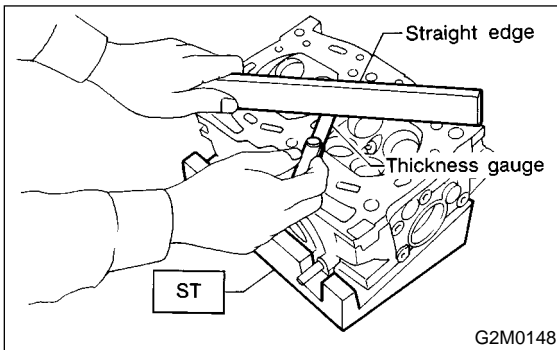
**Standard height of cylinder head:**  
*97.5 mm (3.839 in)*

# CYLINDER HEAD ASSEMBLY

Mechanical

## CAUTION:

Uneven torque for the cylinder head bolts can cause warping. When reassembling, pay special attention to the torque so as to tighten evenly.



## 2. VALVE SEAT S153093A0102

Inspect intake and exhaust valve seats, and correct the contact surfaces with valve seat cutter if they are defective or when valve guides are replaced.

**Valve seat width: *W***

**Intake**

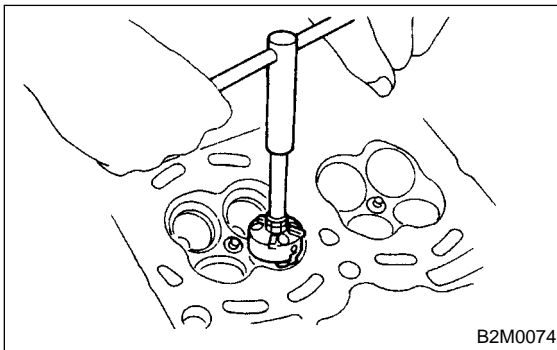
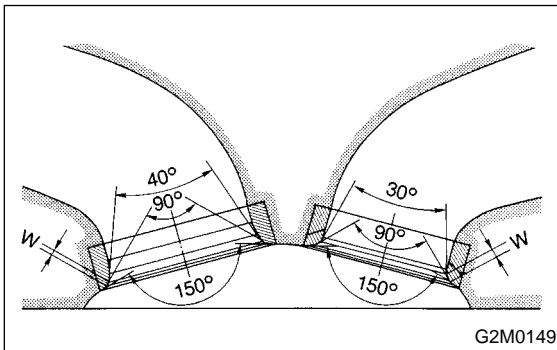
**Standard 1.0 mm (0.039 in)**

**Limit 1.7 mm (0.067 in)**

**Exhaust**

**Standard 1.4 mm (0.055 in)**

**Limit 2.1 mm (0.083 in)**



## 3. VALVE GUIDE S153093A0103

1) Check the clearance between valve guide and stem. The clearance can be checked by measuring the outside diameter of valve stem and the inside diameter of valve guide with outside and inside micrometers respectively.

**Clearance between the valve guide and valve stem:**

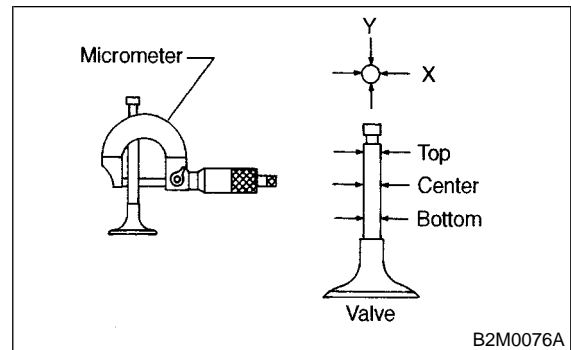
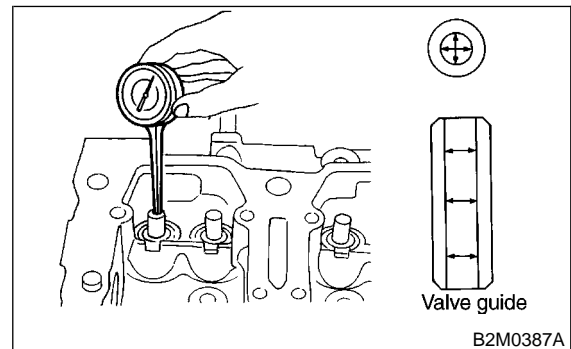
**Standard**

**Intake 0.035 — 0.062 mm (0.0014 — 0.0024 in)**

**Exhaust 0.040 — 0.067 mm (0.0016 — 0.0026 in)**

**Limit**

**0.15 mm (0.0059 in)**



2) If the clearance between valve guide and stem exceeds the limit, replace valve guide or valve itself whichever shows greater amount of wear. See following procedure for valve guide replacement.

**Valve guide inner diameter:**

**6.000 — 6.012 mm (0.2362 — 0.2367 in)**

**Valve stem outer diameters:**

**Intake**

**5.950 — 5.965 mm (0.2343 — 0.2348 in)**

**Exhaust**

**5.945 — 5.960 mm (0.2341 — 0.2346 in)**

(1) Place cylinder head on ST1 with the combustion chamber upward so that valve guides enter the holes in ST1.

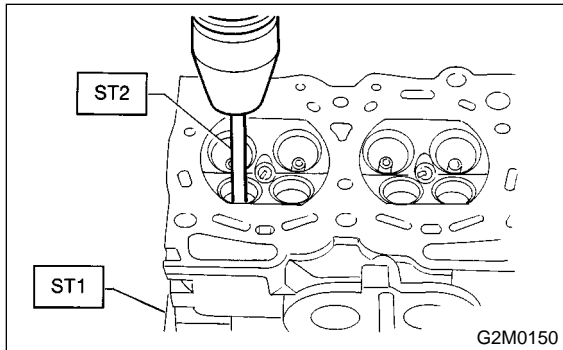


# CYLINDER HEAD ASSEMBLY

Mechanical

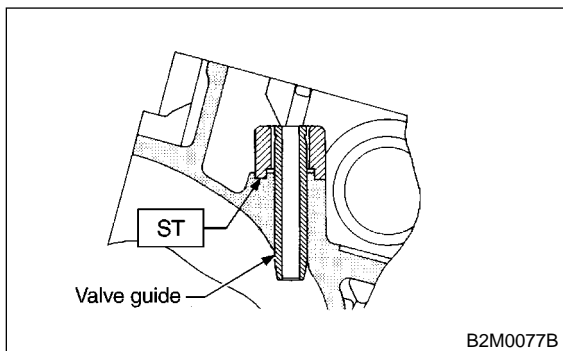
(2) Insert ST2 into valve guide and press it down to remove valve guide.

ST1 498267800 CYLINDER HEAD TABLE  
ST2 499767200 VALVE GUIDE REMOVER



(3) Turn cylinder head upside down and place ST as shown in the figure.

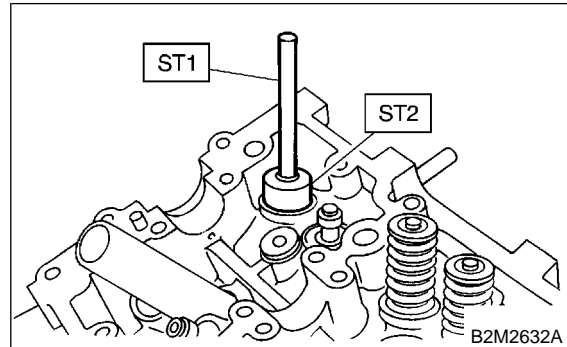
Intake side:  
ST 499767700 VALVE GUIDE ADJUSTER  
Exhaust side:  
ST 499767800 VALVE GUIDE ADJUSTER



(4) Before installing new oversize valve guide, make sure that neither scratches nor damages exist on the inside surface of the valve guide holes in cylinder head.

(5) Put new valve guide, coated with sufficient oil, in cylinder, and insert ST1 into valve guide. Press in until the valve guide upper end is flush with the upper surface of ST2.

ST1 499767200 VALVE GUIDE REMOVER  
Intake side:  
ST2 499767700 VALVE GUIDE ADJUSTER  
Exhaust side:  
ST2 499767800 VALVE GUIDE ADJUSTER



(6) Check the valve guide protrusion.

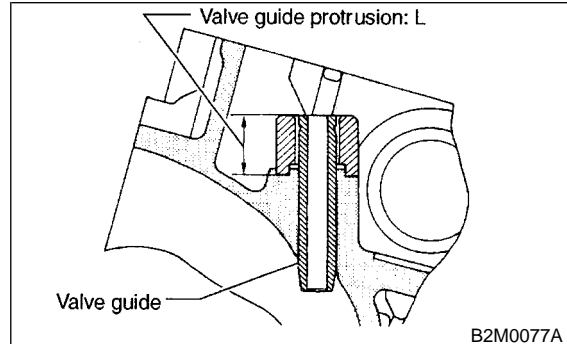
**Valve guide protrusion: L**

**Intake**

**20.0 — 20.5 mm (0.787 — 0.807 in)**

**Exhaust**

**16.5 — 17.0 mm (0.650 — 0.669 in)**



# CYLINDER HEAD ASSEMBLY

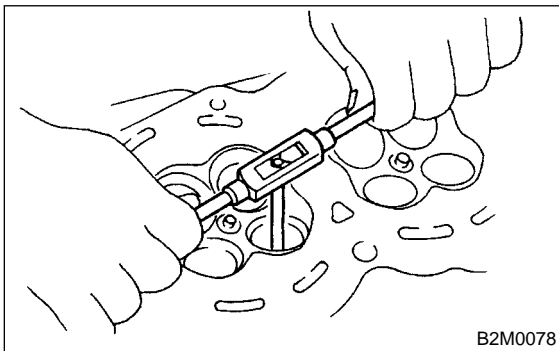
Mechanical

(7) Ream the inside of valve guide with ST. Gently rotate the reamer clockwise while pressing it lightly into valve guide, and return it also rotating clockwise. After reaming, clean valve guide to remove chips.

## CAUTION:

- Apply engine oil to the reamer when reaming.
- If the inner surface of the valve guide is torn, the edge of the reamer should be slightly ground with an oil stone.
- If the inner surface of the valve guide becomes lustrous and the reamer does not chips, use a new reamer or remedy the reamer.

ST 499767400 VALVE GUIDE REAMER



(8) Recheck the contact condition between valve and valve seat after replacing valve guide.

## 4. INTAKE AND EXHAUST VALVE S153093A0104

1) Inspect the flange and stem of valve, and replace if damaged, worn, or deformed, or if "H" is less than the specified limit.

H:

*Intake*

*Standard 1.0 mm (0.039 in)*

*Limit 0.6 mm (0.024 in)*

*Exhaust*

*Standard 1.2 mm (0.047 in)*

*Limit 0.6 mm (0.024 in)*

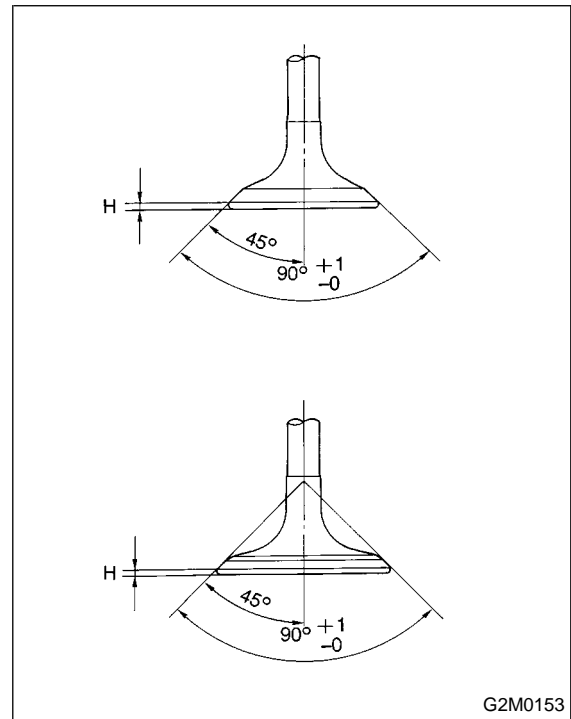
*Valve overall length:*

*Intake*

*120.6 mm (4.75 in)*

*Exhaust*

*121.7 mm (4.79 in)*



2) Put a small amount of grinding compound on the seat surface and lap the valve and seat surface. <Ref. to ME(SOHC)-64, Valve Seat, ADJUSTMENT, Cylinder Head Assembly.> Install a new intake valve oil seal after lapping.

## 21. Cylinder Block S153090

### A: REMOVAL S153090A18

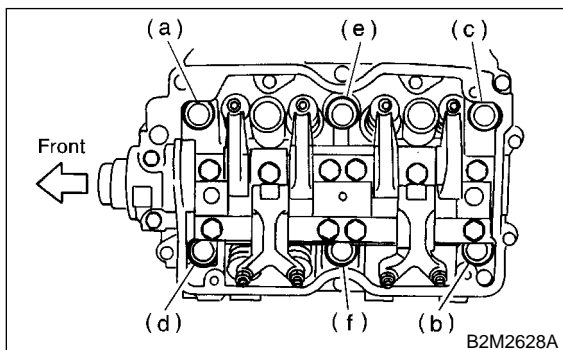
**NOTE:**

Before conducting this procedure, drain engine oil completely if applicable.

- 1) Remove intake manifold. <Ref. to FU(SOHC)-15, REMOVAL, Intake Manifold.> or <Ref. to FU(SOHCw/oOBD)-12, REMOVAL, Intake Manifold.>
- 2) Remove V-belt. <Ref. to ME(SOHC)-42, REMOVAL, V-belt.>
- 3) Remove crankshaft pulley. <Ref. to ME(SOHC)-44, REMOVAL, Crankshaft Pulley.>
- 4) Remove belt cover. <Ref. to ME(SOHC)-45, REMOVAL, Belt Cover.>
- 5) Remove timing belt assembly. <Ref. to ME(SOHC)-46, REMOVAL, Timing Belt Assembly.>
- 6) Remove camshaft sprocket. <Ref. to ME(SOHC)-51, REMOVAL, Camshaft Sprocket.>
- 7) Remove crankshaft sprocket. <Ref. to ME(SOHC)-44, REMOVAL, Crankshaft Pulley.>
- 8) Remove generator and A/C compressor with their brackets.
- 9) Remove rocker cover.
- 10) Remove cylinder head bolts in alphabetical sequence shown in figure.

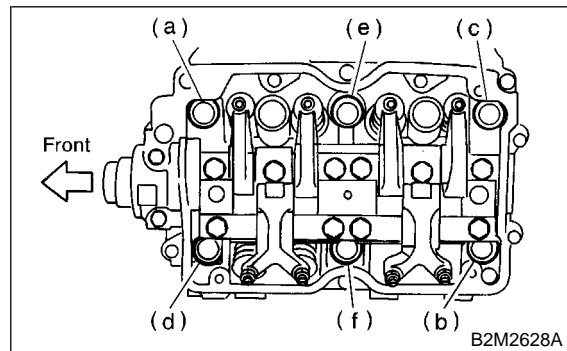
**CAUTION:**

Leave bolts (a) and (b) engaged by three or four threads to prevent cylinder head from falling.



- 11) While tapping cylinder head with a plastic hammer, separate it from cylinder block.

- 12) Remove bolts (a) and (b) to remove cylinder head.

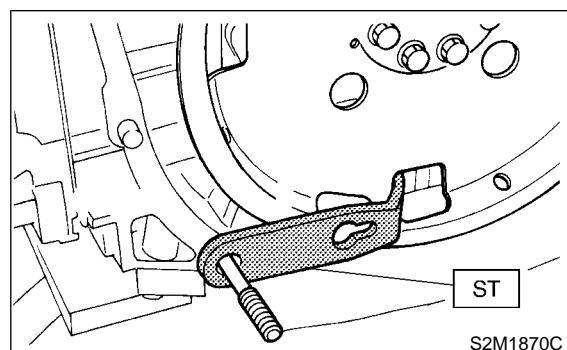
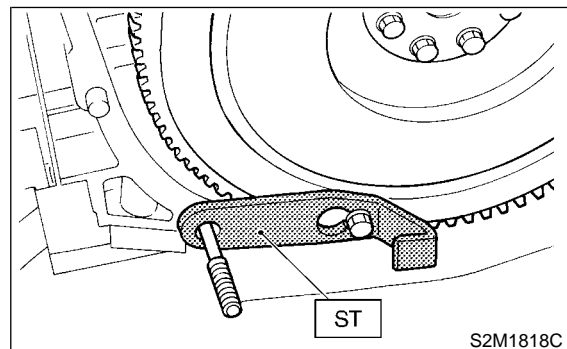


- 13) Remove cylinder head gasket.

**CAUTION:**

Do not scratch the mating surface of cylinder head and cylinder block.

- 14) Similarly, remove right side cylinder head.
- 15) Remove clutch housing cover (MT vehicles only).
- 16) Remove flywheel (MT vehicles only) or drive plate (AT vehicles only).  
Using ST, lock crankshaft.  
ST 498497100 CRANKSHAFT STOPPER



- 17) Remove oil separator cover.
- 18) Remove water by-pass pipe for heater.
- 19) Remove water pump.

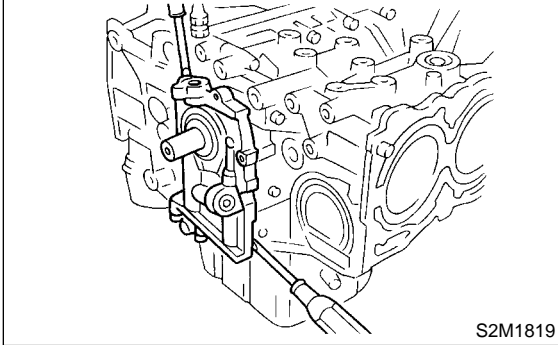
# CYLINDER BLOCK

Mechanical

20) Remove oil pump from cylinder block.  
Use a flat-bladed screwdriver as shown in figure when removing oil pump.

**CAUTION:**

**Be careful not to scratch the mating surface of cylinder block and oil pump.**

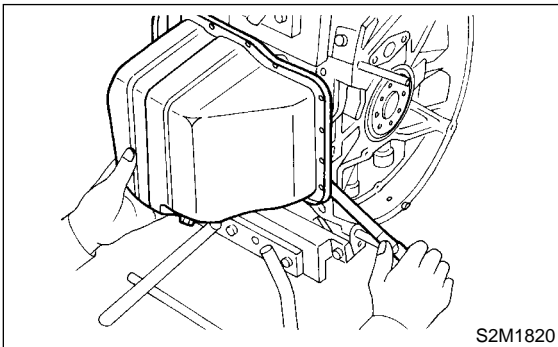


21) Removal of oil pan

- (1) Turn cylinder block with #2 and #4 piston sides facing upward.
- (2) Remove bolts which secure oil pan to cylinder block.
- (3) Insert a oil pan cutter blade between cylinder block-to-oil pan clearance and remove oil pan.

**CAUTION:**

**Do not use a screwdriver or similar tool in place of oil pan cutter.**



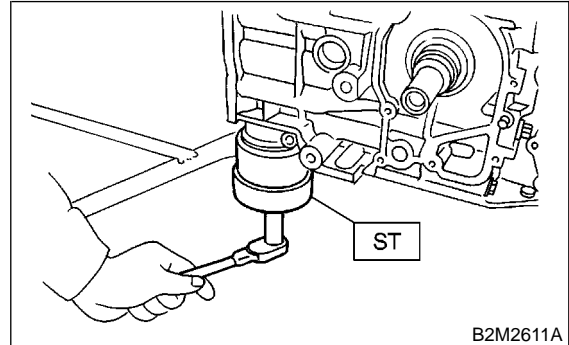
22) Remove oil strainer stay.

23) Remove oil strainer.

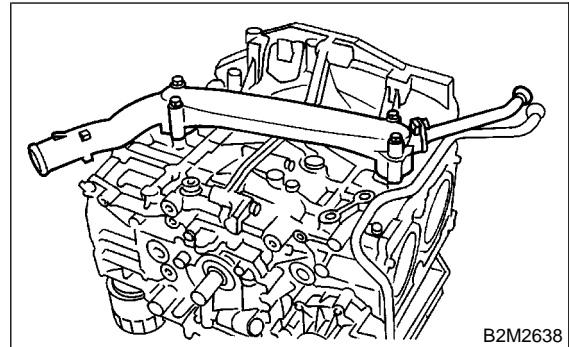
24) Remove baffle plate.

25) Remove oil filter using ST.

ST 498547000 OIL FILTER WRENCH

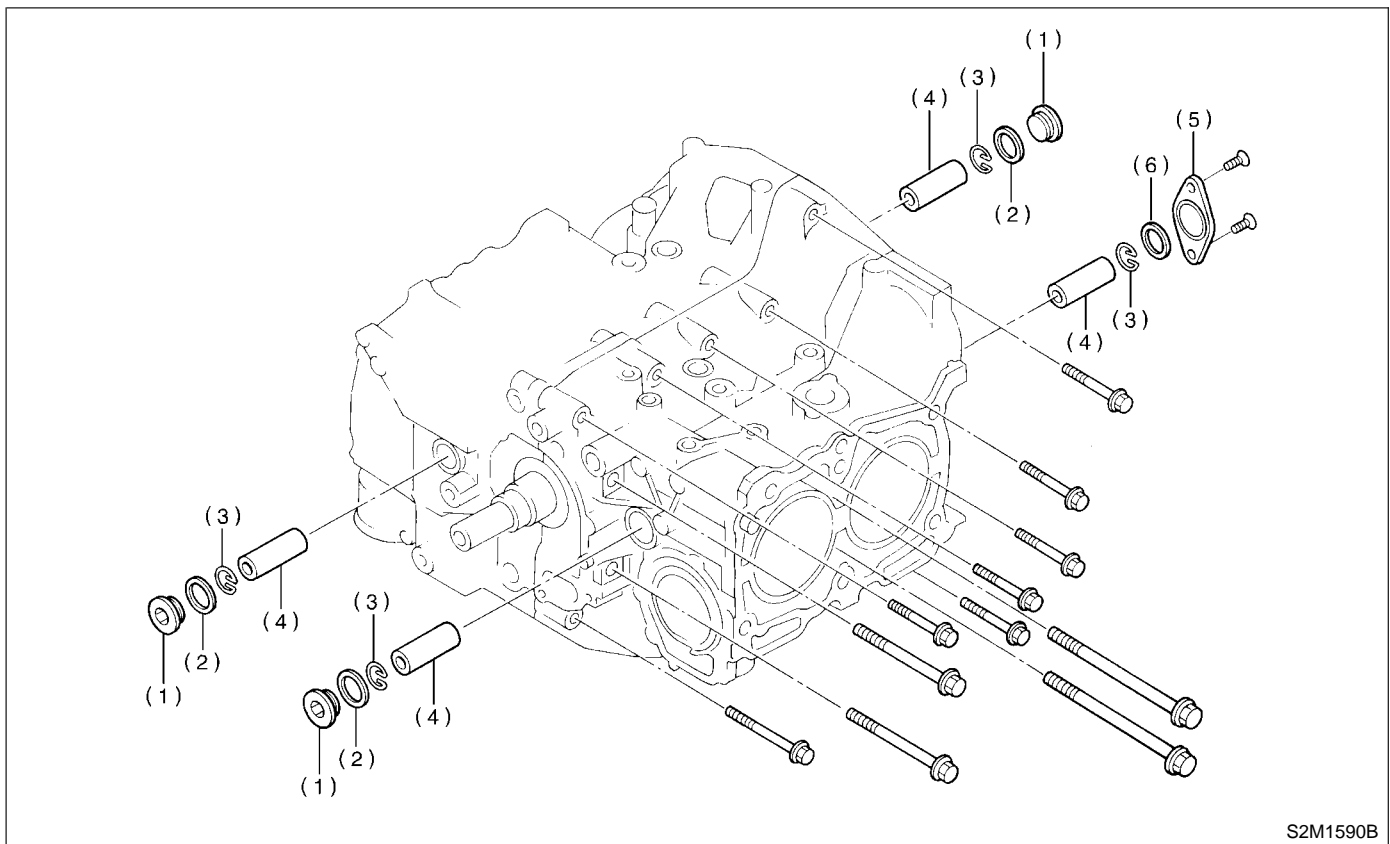


26) Remove water pipe.



# CYLINDER BLOCK

Mechanical



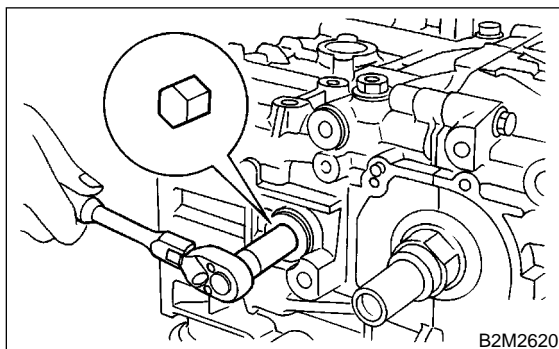
S2M1590B

(1) Service hole plug  
(2) Gasket

(3) Circlip  
(4) Piston pin

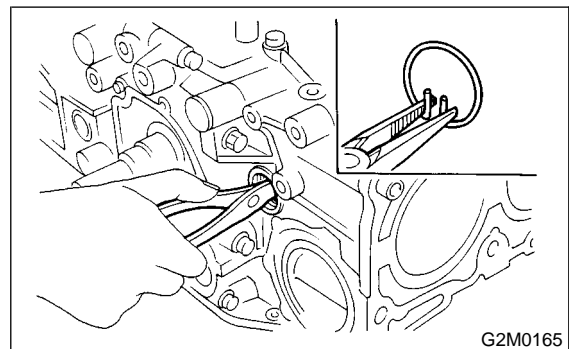
(5) Service hole cover  
(6) O-ring

27) Remove service hole cover and service hole plugs using hexagon wrench [14 mm (0.55 in)].



B2M2620

28) Rotate crankshaft to bring #1 and #2 pistons to bottom dead center position, then remove piston circlip through service hole of #1 and #2 cylinders.



G2M0165

# CYLINDER BLOCK

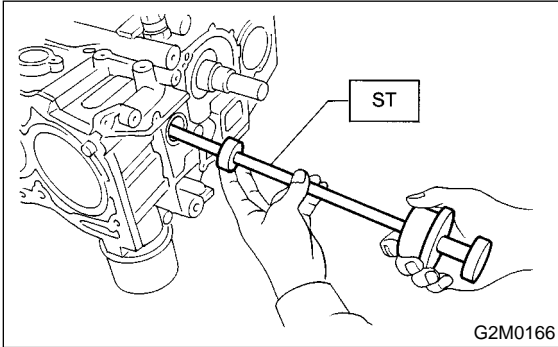
Mechanical

29) Draw out piston pin from #1 and #2 pistons using ST.

ST 499097700 PISTON PIN REMOVER

**CAUTION:**

**Be careful not to confuse original combination of piston, piston pin and cylinder.**



30) Similarly remove piston pins from #3 and #4 pistons.

31) Remove bolts which connect cylinder block on the side of #2 and #4 cylinders.

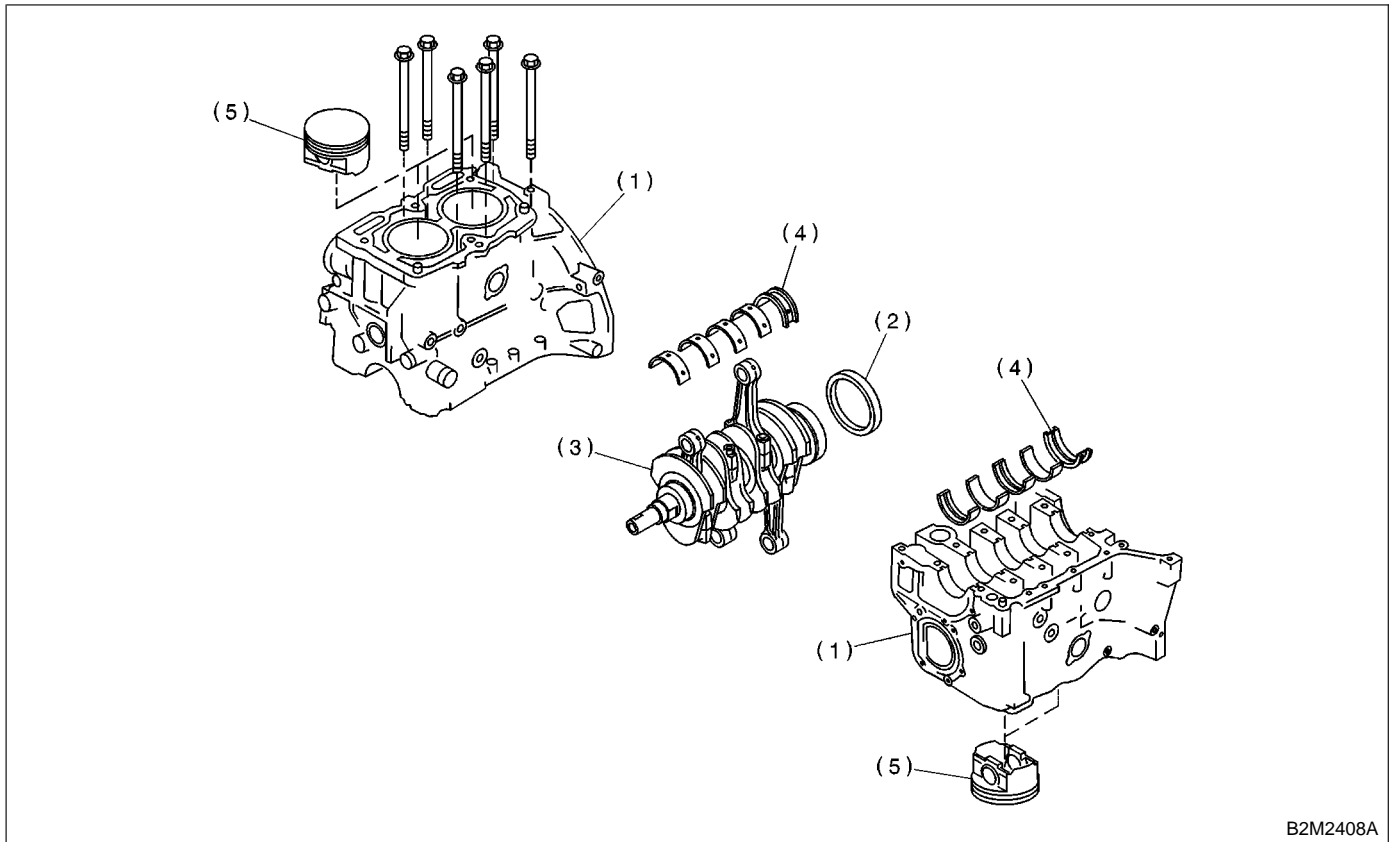
32) Back off bolts which connect cylinder block on the side of #1 and #3 cylinders two or three turns.

33) Set up cylinder block so that #1 and #3 cylinders are on the upper side, then remove cylinder block connecting bolts.

34) Separate left-hand and right-hand cylinder blocks.

**CAUTION:**

**When separating cylinder block, do not allow the connecting rod to fall and damage the cylinder block.**



(1) Cylinder block

(2) Rear oil seal

(3) Crankshaft

(4) Crankshaft bearing

(5) Piston

35) Remove rear oil seal.

36) Remove crankshaft together with connecting rod.

37) Remove crankshaft bearings from cylinder block using hammer handle.

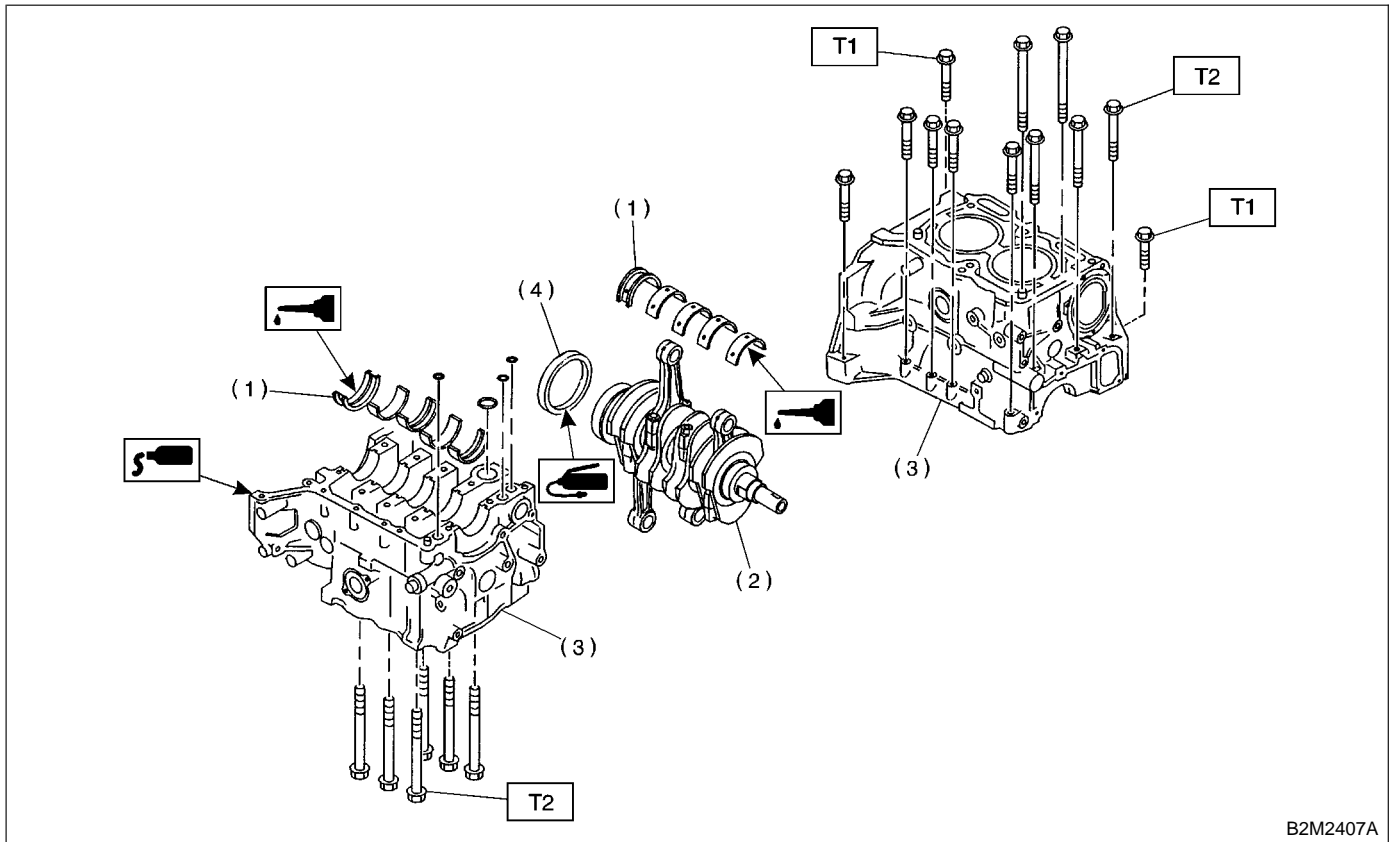
**CAUTION:**

**Do not confuse combination of crankshaft bearings. Press bearing at the end opposite to locking lip.**

38) Draw out each piston from cylinder block using wooden bar or hammer handle.

**CAUTION:**  
Do not confuse combination of piston and cylinder.

## B: INSTALLATION S153090A11



B2M2407A

- (1) Crankshaft bearing
- (2) Crankshaft
- (3) Cylinder block
- (4) Rear oil seal

**Tightening torque: N·m (kgf-m, ft-lb)**

**T1: 25 (2.5, 18.1)**

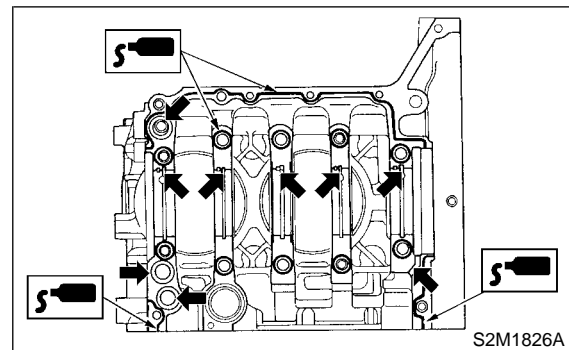
**T2: 47 (4.8, 34.7)**

**CAUTION:**  
Remove oil in the mating surface of bearing and cylinder block before installation. Also apply a coat of engine oil to crankshaft pins.

- 1) Position crankshaft on the #2 and #4 cylinder block.
- 2) Apply fluid packing to the mating surface of #1 and #3 cylinder block, and position it on #2 and #4 cylinder block.

**Fluid packing:**  
**THREE BOND 1215 or equivalent**

**CAUTION:**  
Do not allow fluid packing to jut into O-ring grooves, oil passages, bearing grooves, etc.

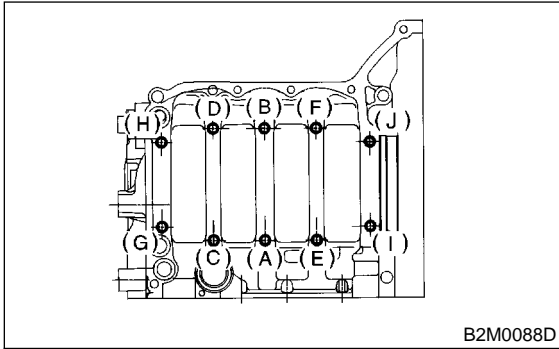


S2M1826A

# CYLINDER BLOCK

Mechanical

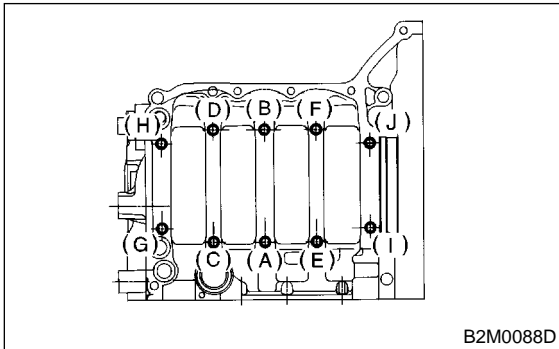
3) Temporarily tighten 10 mm cylinder block connecting bolts in alphabetical sequence shown in figure.



4) Tighten 10 mm cylinder block connecting bolts in alphabetical sequence.

**Tightening torque:**

**47 N·m (4.8 kgf·m, 34.7 ft·lb)**

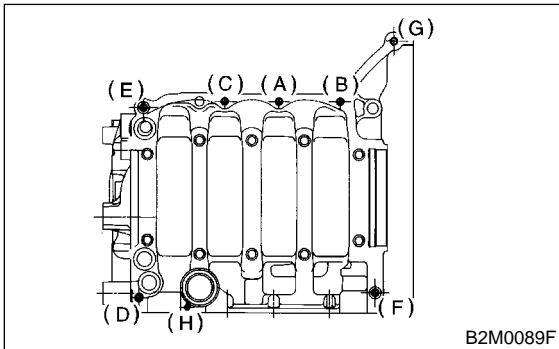


5) Tighten 8 mm and 6 mm cylinder block connecting bolts in alphabetical sequence shown in figure.

**Tightening torque:**

**(A) — (G): 25 N·m (2.5 kgf·m, 18.1 ft·lb)**

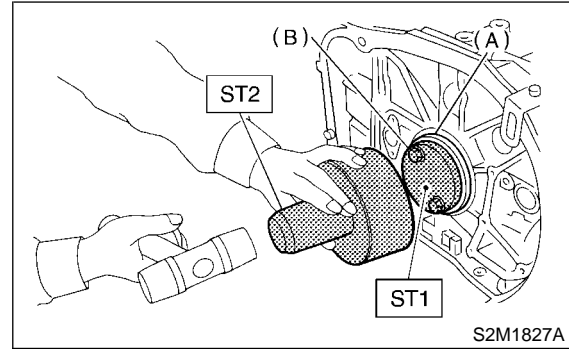
**(H): 6.4 N·m (0.65 kgf·m, 4.7 ft·lb)**



6) Install rear oil seal using ST1 and ST2.

ST1 499597100 OIL SEAL GUIDE

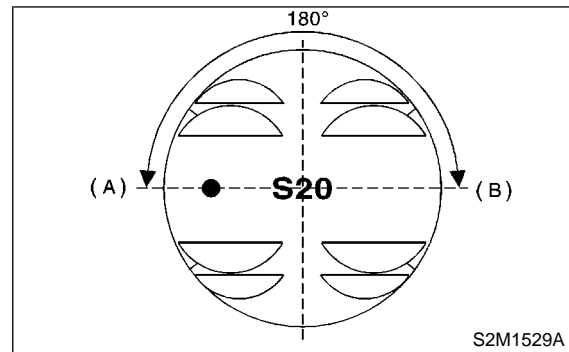
ST2 499587200 OIL SEAL INSTALLER



(A) Rear oil seal

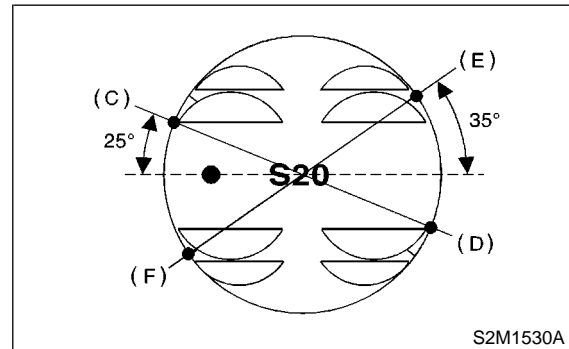
(B) Flywheel attaching bolt

7) Position the top ring gap at (A) or (B) in the figure.



8) Position the second ring gap at 180° on the reverse side for the top ring gap.

9) Position the upper rail gap at (C) or (D) in the figure.



10) Position the expander gap at 180° of the reverse side for the upper rail gap.



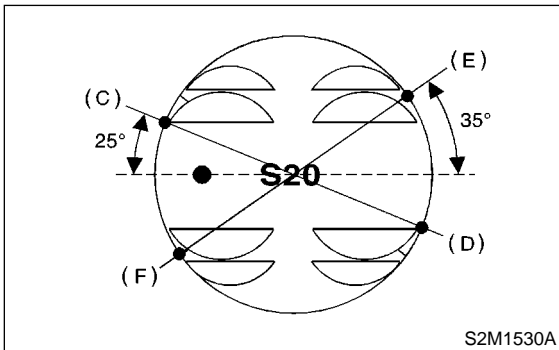
# CYLINDER BLOCK

Mechanical

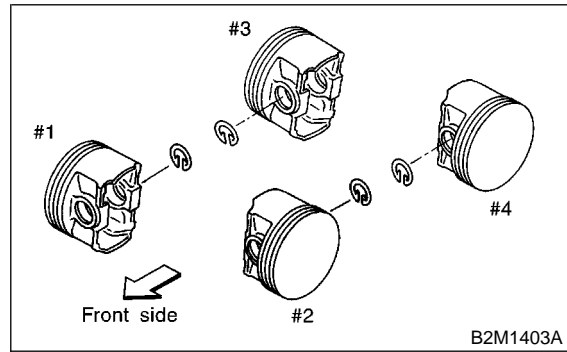
11) Position the lower rail gap at (E) or (F) in the figure.

**CAUTION:**

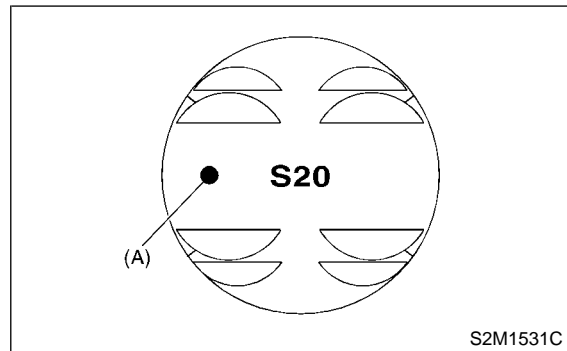
- Ensure ring gaps do not face the same direction.
- Ensure ring gaps are not within the piston skirt area.



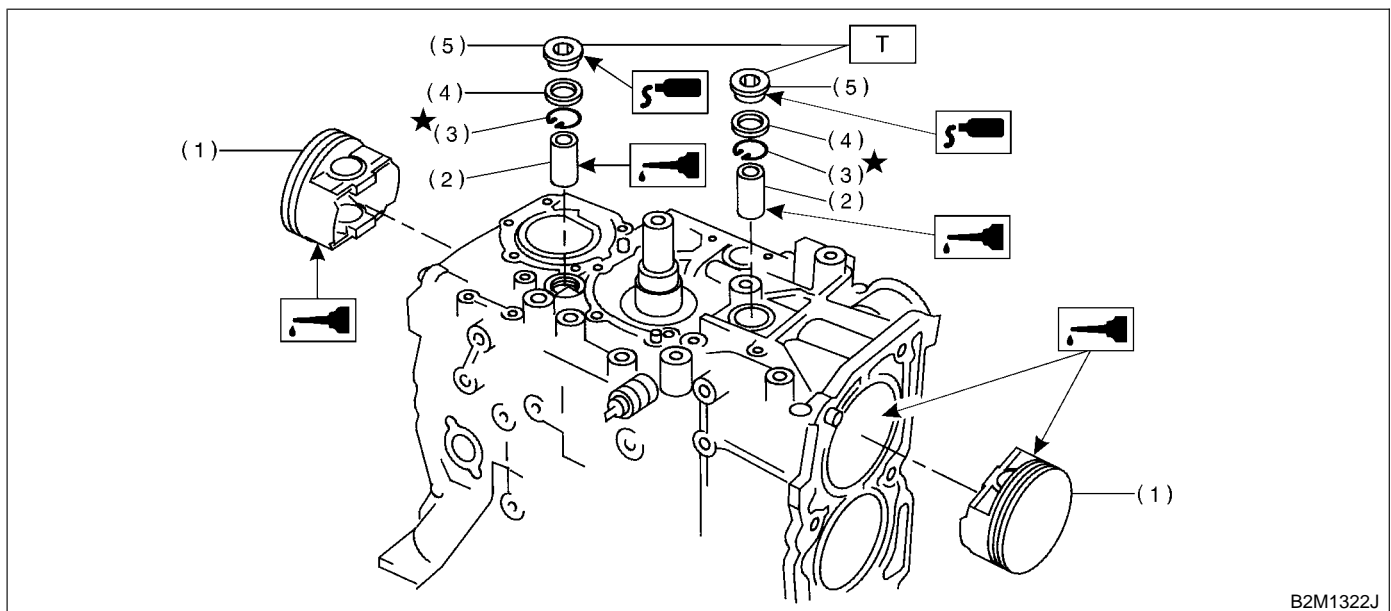
**CAUTION:**  
Use new circlips.



**CAUTION:**  
Piston front mark faces towards the front of the engine.



12) Install circlip.  
Install circlips in piston holes located opposite service holes in cylinder block, when positioning all pistons in the corresponding cylinders.



- |                |                       |
|----------------|-----------------------|
| (1) Piston     | (4) Gasket            |
| (2) Piston pin | (5) Service hole plug |
| (3) Circlip    |                       |

**Tightening torque: N·m (kgf·m, ft·lb)**  
**T: 69 (7.0, 50.6)**

# CYLINDER BLOCK

Mechanical

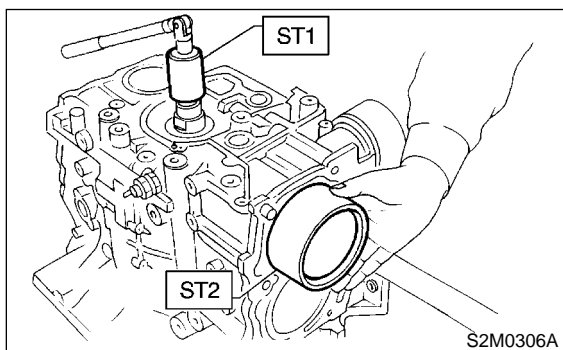
## 13) Installing piston

- (1) Turn cylinder block so that #1 and #2 cylinders face upward.
- (2) Using ST1, turn crankshaft so that #1 and #2 connecting rods are set at bottom dead center.

ST1 499987500 CRANKSHAFT SOCKET

- (3) Apply a coat of engine oil to pistons and cylinders and insert pistons in their cylinders using ST2.

ST2 498747100 PISTON GUIDE



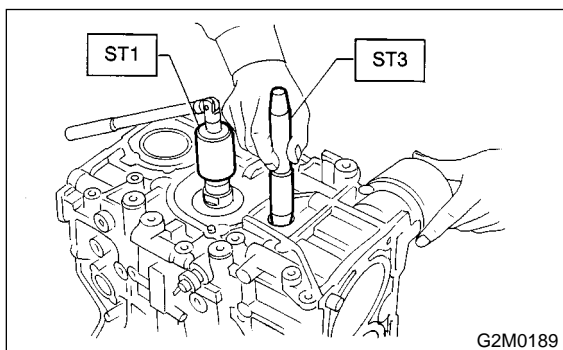
## 14) Installing piston pin

- (1) Insert ST3 into service hole to align piston pin hole with connecting rod small end.

### CAUTION:

Apply a coat of engine oil to ST3 before insertion.

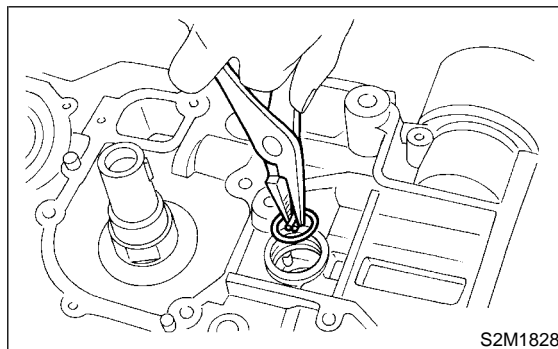
ST3 499017100 PISTON PIN GUIDE



- (2) Apply a coat of engine oil to piston pin and insert piston pin into piston and connecting rod through service hole.
- (3) Install circlip.

### CAUTION:

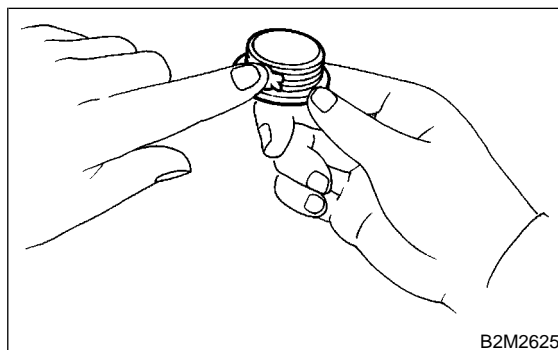
Use new circlips.



- (4) Apply fluid packing around the service hole plug.

### Fluid packing:

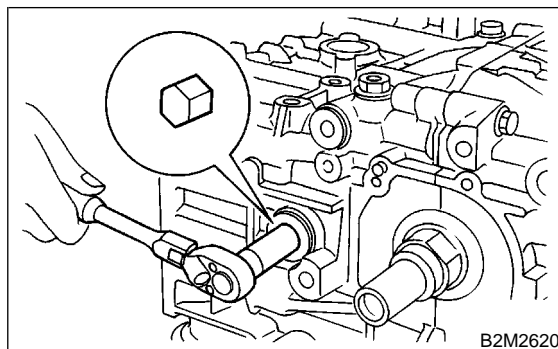
**THREE BOND 1215 or equivalent**



- (5) Install service hole plug and gasket.

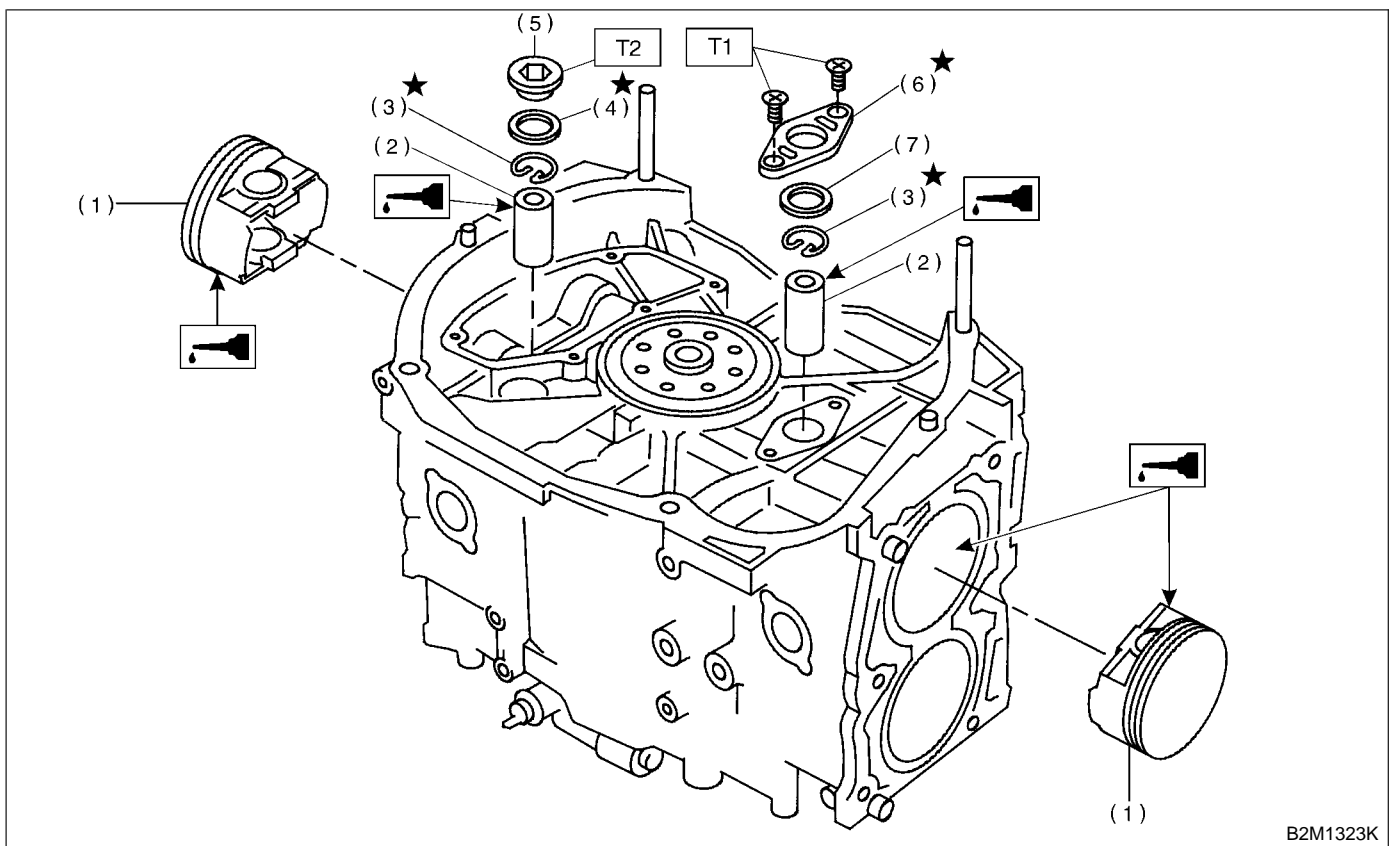
### CAUTION:

Use a new gasket.



# CYLINDER BLOCK

Mechanical



B2M1323K

- |                |                        |
|----------------|------------------------|
| (1) Piston     | (5) Service hole plug  |
| (2) Piston pin | (6) Service hole cover |
| (3) Circlip    | (7) O-ring             |
| (4) Gasket     |                        |

**Tightening torque: N·m (kgf·m, ft·lb)**

**T1: 6.4 (0.65, 4.7)**

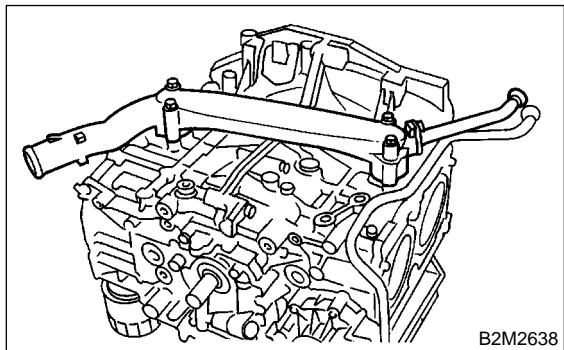
**T2: 69 (7.0, 50.6)**

(6) Turn cylinder block so that #3 and #4 cylinders face upward. Using the same procedures as used for #1 and #2 cylinders, install pistons and piston pins.

# CYLINDER BLOCK

Mechanical

15) Install water pipe.



16) Install baffle plate.

**Tightening torque:**

**6.4 N-m (0.65 kgf-m, 4.7 ft-lb)**

17) Install oil strainer and O-ring

**Tightening torque:**

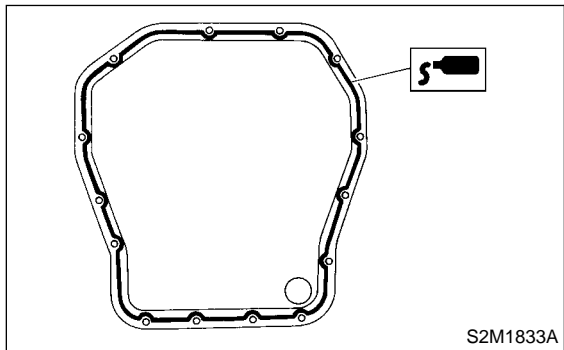
**10 N-m (1.0 kgf-m, 7 ft-lb)**

18) Install oil strainer stay.

19) Apply fluid packing to matching surfaces and install oil pan.

**Fluid packing:**

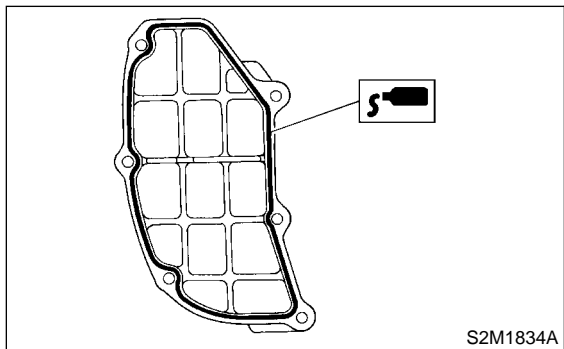
**THREE BOND 1215 or equivalent**



20) Apply fluid packing to matching surfaces and install oil separator cover.

**Fluid packing:**

**THREE BOND 1215 or equivalent**



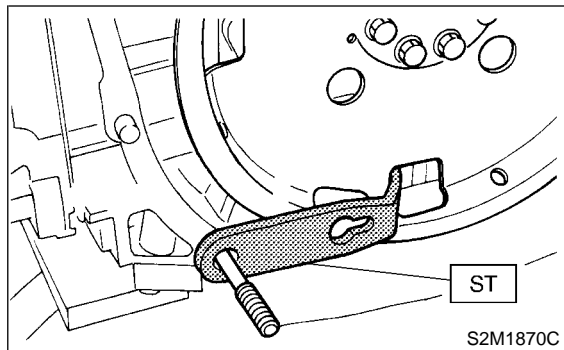
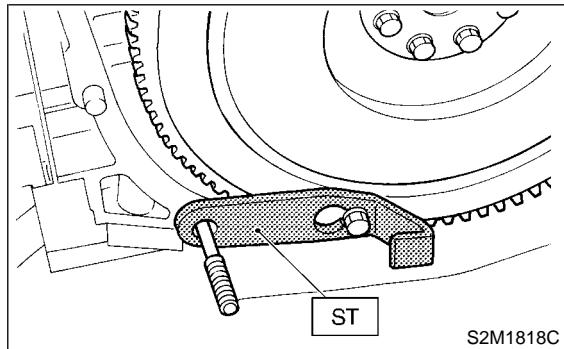
21) Install flywheel or drive plate.

To lock crankshaft, use ST.

ST 498497100 CRANKSHAFT STOPPER

**Tightening torque:**

**72 N-m (7.3 kgf-m, 52.8 ft-lb)**

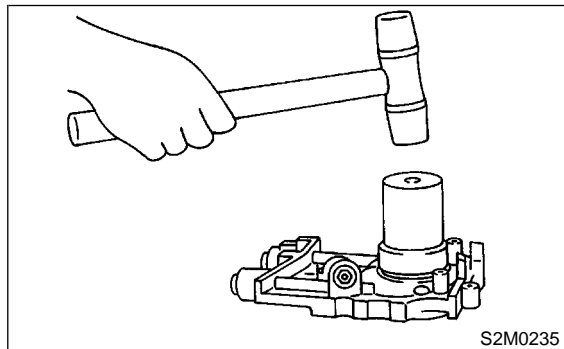


22) Install housing cover.

23) Installation of oil pump.

(1) Discard front oil seal after removal. Replace with a new one using ST.

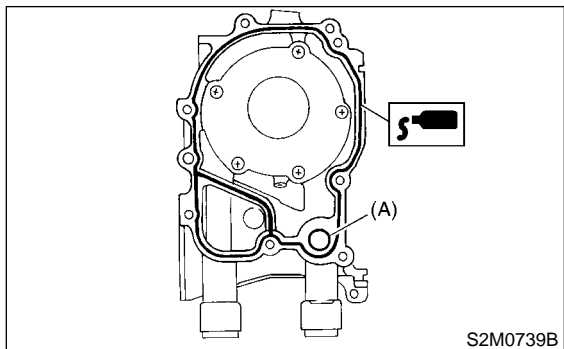
ST 499587100 OIL SEAL INSTALLER



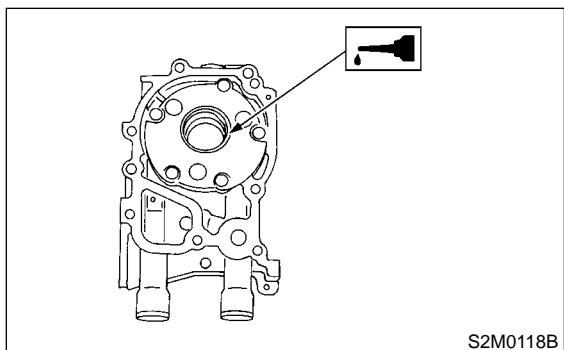
(2) Apply fluid packing to matching surface of oil pump.

**Fluid packing:**

**THREE BOND 1215 or equivalent**



(3) Apply a coat of engine oil to the inside of the oil seal.



(4) Install oil pump on cylinder block. Be careful not to damage oil seal during installation.

**Tightening torque:**

**6.4 N·m (0.65 kgf-m, 4.7 ft-lb)**

**CAUTION:**

- Do not forget to install O-ring and seal when installing oil pump.
- Align flat surface of oil pump's inner rotor with crankshaft before installation.

24) Install water pump and gasket.

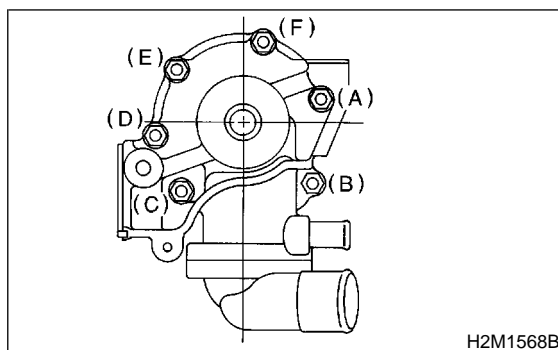
**Tightening torque:**

**First; 12 N·m (1.2 kgf-m, 8.7 ft-lb)**

**Second; 12 N·m (1.2 kgf-m, 8.7 ft-lb)**

**CAUTION:**

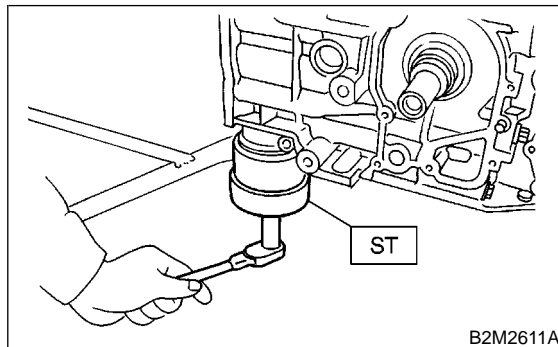
- Be sure to use a new gasket.
- When installing water pump, tighten bolts in two stages in alphabetical sequence as shown in figure.



25) Install water by-pass pipe for heater.

26) Install oil filter using ST.

ST 498547000 OIL FILTER WRENCH



27) Tighten cylinder head bolts.

- (1) Apply a coat of engine oil to washers and bolt threads.
- (2) Tighten all bolts to 29 N·m (3.0 kgf-m, 22 ft-lb) in alphabetical sequence.
- (3) Then tighten all bolts to 69 N·m (7.0 kgf-m, 51 ft-lb) in alphabetical sequence.
- (4) Back off all bolts by 180° first; back them off by 180° again.
- (5) Tighten bolts (a) and (b) to 34 N·m (3.5 kgf-m, 25 ft-lb).
- (6) Tighten bolts (c), (d), (e) and (f) to 15 N·m (1.5 kgf-m, 11 ft-lb).
- (7) Tighten all bolts by 80 to 90° in alphabetical sequence.

**CAUTION:**

**Do not tighten bolts more than 90°.**

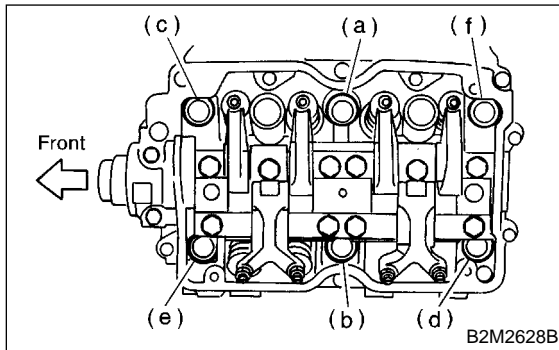
- (7) Further tighten all bolts by 80 to 90° in alphabetical sequence.

# CYLINDER BLOCK

Mechanical

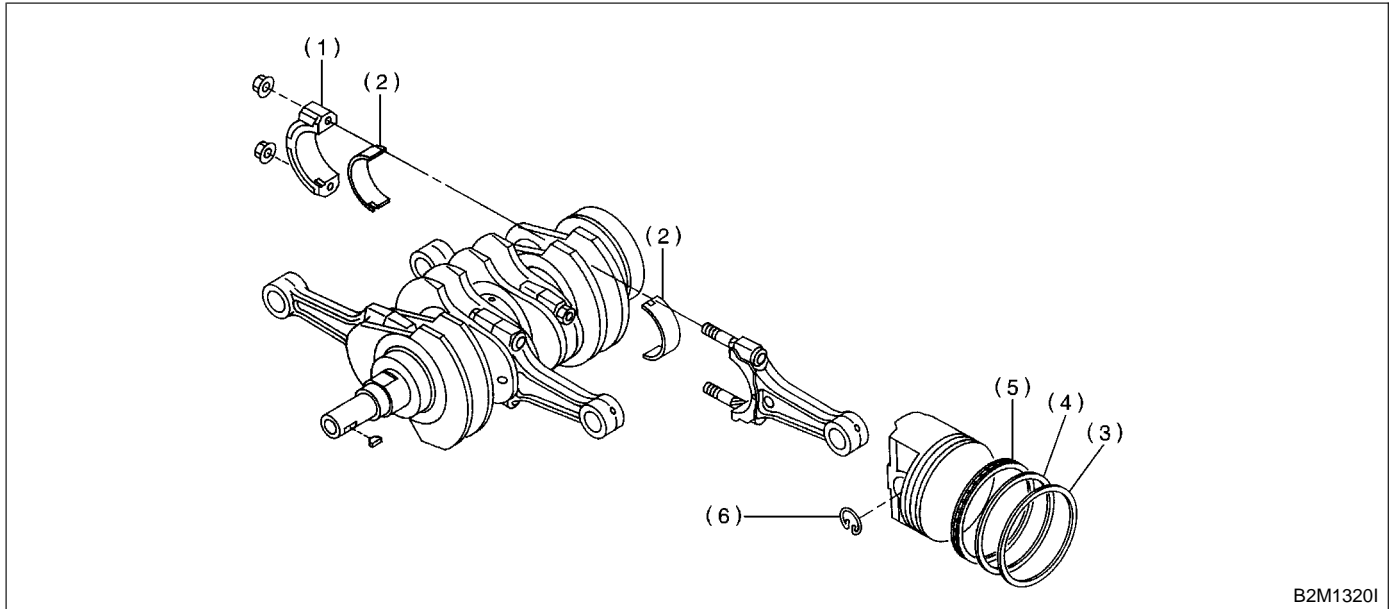
## CAUTION:

Ensure that the total “re-tightening angle” [in the former two steps], do not exceed 180°.



- 28) Install oil level gauge guide and tighten attaching bolt (left side only).
- 29) Install rocker cover.
- 30) Install crankshaft sprocket. <Ref. to ME(SOHC)-53, INSTALLATION, Crankshaft Sprocket.>
- 31) Install camshaft sprocket. <Ref. to ME(SOHC)-51, INSTALLATION, Camshaft Sprocket.>
- 32) Install timing belt assembly. <Ref. to ME(SOHC)-47, INSTALLATION, Timing Belt Assembly.>
- 33) Install belt cover. <Ref. to ME(SOHC)-45, INSTALLATION, Belt Cover.>
- 34) Install crankshaft pulley. <Ref. to ME(SOHC)-44, INSTALLATION, Crankshaft Pulley.>
- 35) Install generator and A/C compressor brackets on cylinder head.
- 36) Install V-belt. <Ref. to FU(SOHC)-17, INSTALLATION, Intake Manifold.> <Ref. to ME(SOHC)-42, INSTALLATION, V-belt.>
- 37) Install intake manifold. <Ref. to FU(SOHC)-17, INSTALLATION, Intake Manifold.> or <Ref. to FU(SOHCw/oOBD)-15, INSTALLATION, Intake Manifold.>

## C: DISASSEMBLY S153090A06



B2M1320I

- |                            |                 |              |
|----------------------------|-----------------|--------------|
| (1) Connecting rod cap     | (3) Top ring    | (5) Oil ring |
| (2) Connecting rod bearing | (4) Second ring | (6) Circlip  |

- 1) Remove connecting rod cap.
- 2) Remove connecting rod bearing.

**CAUTION:**

Arrange removed connecting rod, connecting rod cap and bearing in order to prevent confusion.

- 3) Remove piston rings using the piston ring expander.
- 4) Remove the oil ring by hand.

**CAUTION:**

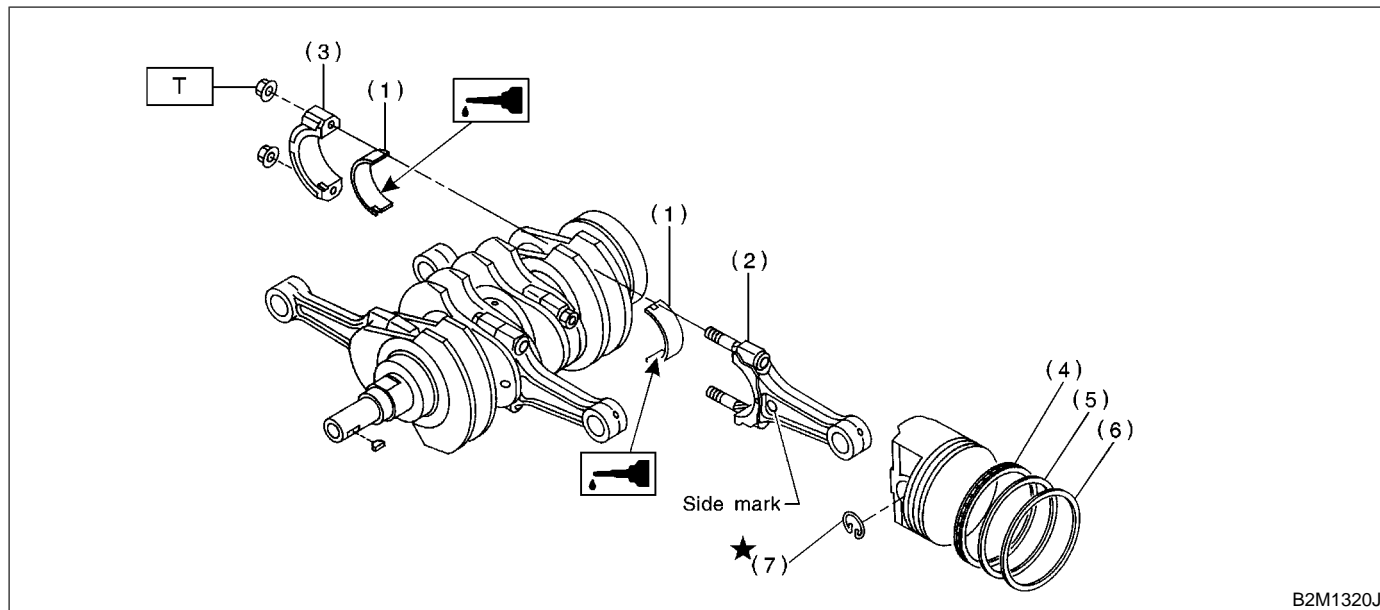
Arrange the removed piston rings in good order to prevent confusion.

- 5) Remove circlip.

# CYLINDER BLOCK

Mechanical

## D: ASSEMBLY S153090A02



- |                            |                 |
|----------------------------|-----------------|
| (1) Connecting rod bearing | (5) Second ring |
| (2) Connecting rod         | (6) Top ring    |
| (3) Connecting rod cap     | (7) Circlip     |
| (4) Oil ring               |                 |

---

**Tightening torque: N·m (kgf·m, ft·lb)**  
**T: 44.6 (4.55, 32.9)**

---

- 1) Install connecting rod bearings on connecting rods and connecting rod caps.

### CAUTION:

**Apply oil to the surfaces of the connecting rod bearings.**

- 2) Install connecting rod on crankshaft.

### CAUTION:

**Position each connecting rod with the side marked facing forward.**

- 3) Install connecting rod cap with connecting rod nut.

Ensure the arrow on connecting rod cap faces the front during installation.

### CAUTION:

- Each connecting rod has its own mating cap. Make sure that they are assembled correctly by checking their matching number.

- When tightening the connecting rod nuts, apply oil on the threads.

- 4) Install oil ring spacer, upper rail and lower rail in this order by hand. Then install second ring and top ring with a piston ring expander.

## E: INSPECTION S153090A10

### 1. CYLINDER BLOCK S153090A1001

- 1) Visually check for cracks and damage. Especially, inspect important parts by means of red lead check.
- 2) Check the oil passages for clogging.
- 3) Inspect crankcase surface that mates with cylinder head for warping by using a straight edge, and correct by grinding if necessary.

#### Warping limit:

**0.05 mm (0.0020 in)**

#### Grinding limit:

**0.1 mm (0.004 in)**

#### Standard height of cylinder block:

**201.0 mm (7.91 in)**



## 2. CYLINDER AND PISTON S153090A1002

1) The cylinder bore size is stamped on the cylinder block's front upper surface.

**CAUTION:**

Measurement should be performed at a temperature 20°C (68°F).

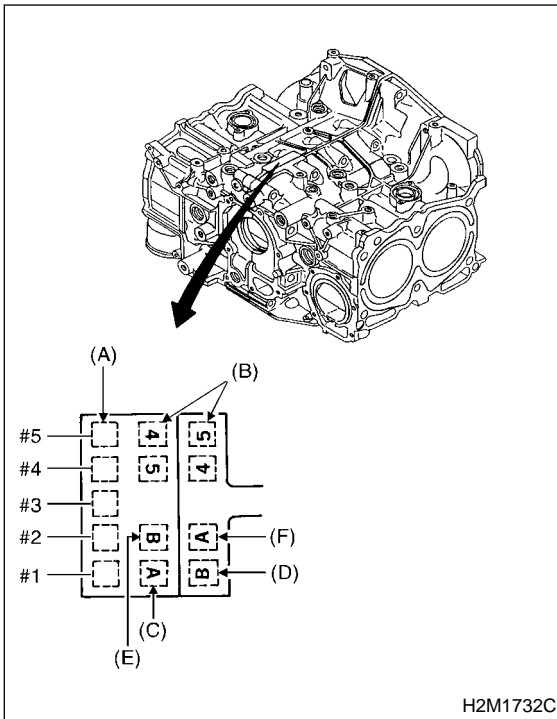
**NOTE:**

Standard sized pistons are classified into two grades, "A" and "B". These grades should be used as a guide line in selecting a standard piston.

**Standard diameter:**

**A: 92.005 — 92.015 mm (3.6222 — 3.6226 in)**

**B: 91.995 — 92.005 mm (3.6218 — 3.6222 in)**



- (A) Main journal size mark
- (B) Cylinder block RH-LH combination mark
- (C) #1 cylinder bore size mark
- (D) #2 cylinder bore size mark
- (E) #3 cylinder bore size mark
- (F) #4 cylinder bore size mark

2) How to measure the inner diameter of each cylinder

Measure the inner diameter of each cylinder in both the thrust and piston pin directions at the heights shown in the figure, using a cylinder bore gauge.

**CAUTION:**

Measurement should be performed at a temperature 20°C (68°F).

**Taper:**

**Standard**

0.015 mm (0.0006 in)

**Limit**

0.050 mm (0.0020 in)

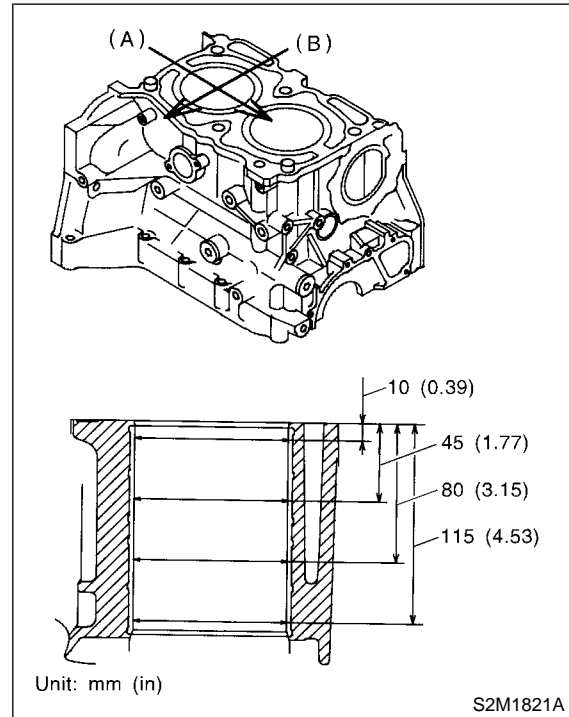
**Out-of-roundness:**

**Standard**

0.010 mm (0.0004 in)

**Limit**

0.050 mm (0.0020 in)



- (A) Piston pin direction
- (B) Thrust direction

3) When piston is to be replaced due to general or cylinder wear, determine a suitable sized piston by measuring the piston clearance.

# CYLINDER BLOCK

Mechanical

4) How to measure the outer diameter of each piston

Measure the outer diameter of each piston at the height shown in the figure. (Thrust direction)

**CAUTION:**

Measurement should be performed at a temperature of 20°C (68°F).

**Piston grade point H:**  
40.0 mm (1.575 in)

**Piston outer diameter:**

**Standard**

**A:** 91.985 — 91.995 mm  
(3.6214 — 3.6218 in)

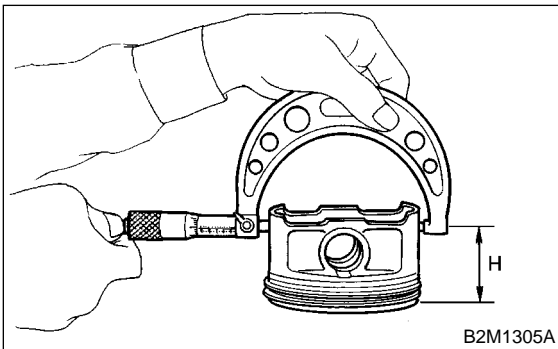
**B:** 91.975 — 91.985 mm  
(3.6211 — 3.6214 in)

**0.25 mm (0.0098 in) oversize**

92.225 — 92.235 mm  
(3.6309 — 3.6313 in)

**0.50 mm (0.0197 in) oversize**

92.475 — 92.485 mm  
(3.6407 — 3.6411 in)



5) Calculate the clearance between cylinder and piston.

**CAUTION:**

Measurement should be performed at a temperature of 20°C (68°F).

**Cylinder to piston clearance at 20°C (68°F):**

**Standard**

0.010 — 0.030 mm (0.0004 — 0.0012 in)

**Limit**

0.050 mm (0.0020 in)

6) Boring and honing

(1) If the value of taper, out-of-roundness, or cylinder-to-piston clearance measured exceeds the specified limit or if there is any damage on the cylinder wall, rebores it to use an oversize piston.

**CAUTION:**

When any of the cylinders needs reboring, all other cylinders must be bored at the same time, and use oversize pistons. Do not perform boring on one cylinder only, nor use an oversize piston for one cylinder only.

(2) If the cylinder inner diameter exceeds the limit after boring and honing, replace the crankcase.

**CAUTION:**

Immediately after reboring, the cylinder diameter may differ from its real diameter due to temperature rise. Thus, pay attention to this when measuring the cylinder diameter.

**Limit of cylinder enlarging (boring):**  
0.5 mm (0.020 in)

### 3. PISTON AND PISTON PIN S153090A1003

1) Check pistons and piston pins for damage, cracks, and wear and the piston ring grooves for wear and damage. Replace if defective.

2) Measure the piston-to-cylinder clearance at each cylinder. <Ref. to ME(SOHC)-81, CYLINDER AND PISTON, INSPECTION, Cylinder Block.> If any of the clearances is not to specification, replace the piston or bore the cylinder to use an oversize piston.

3) Make sure that piston pin can be inserted into the piston pin hole with a thumb at 20°C (68°F). Replace if defective.

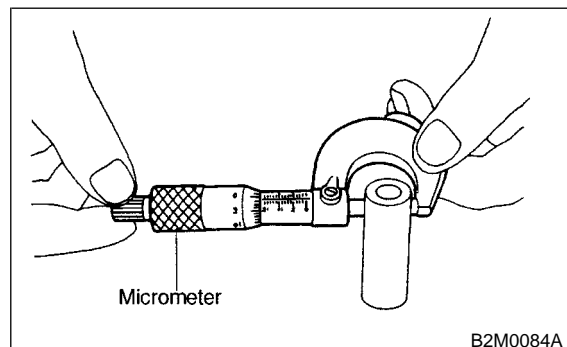
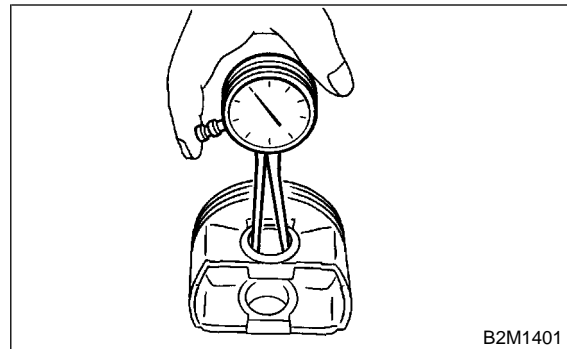
**Standard clearance between piston pin and hole in piston:**

**Standard**

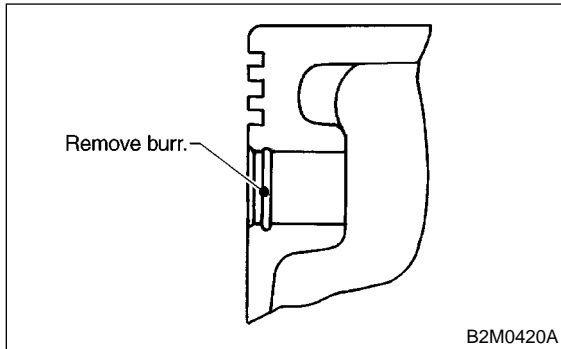
0.004 — 0.008 mm (0.0002 — 0.0003 in)

**Limit**

0.020 mm (0.0008 in)



4) Check circlip installation groove on the piston for burr (A). If necessary, remove burr from the groove so that piston pin can lightly move.



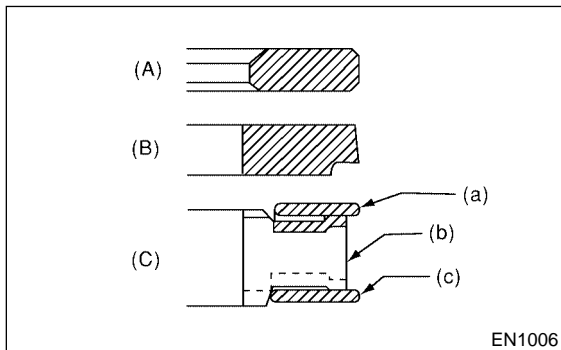
5) Check piston pin circlip for distortion, cracks and wear.

## 4. PISTON RING S153090A1004

1) If piston ring is broken, damaged, or worn, or if its tension is insufficient, or when the piston is replaced, replace piston ring with a new one of the same size as the piston.

### CAUTION:

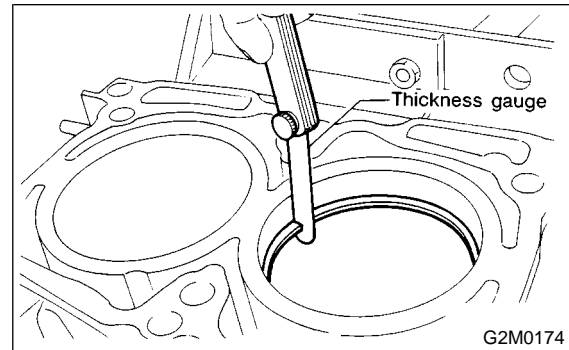
- Marks are shown on the end of the top and second rings. When installing the rings to the piston, face these marks upward.
- The oil ring is a combined ring consisting of two rails and a spacer in between. When installing, be careful to assemble correctly.



- (A) Top ring
- (B) Second ring
- (C) Oil ring
- (a) Upper rail
- (b) Spacer
- (c) Lower rail

2) Squarely place piston ring and oil ring in cylinder, and measure the piston ring gap with a thickness gauge.

		Unit: mm (in)	
		Standard	Limit
Piston ring gap	Top ring	0.20 — 0.35 (0.0079 — 0.0138)	1.0 (0.039)
	Second ring	0.35 — 0.50 (0.0138 — 0.0197)	1.0 (0.039)
	Oil ring rail	0.20 — 0.70 (0.0079 — 0.0276)	1.5 (0.059)

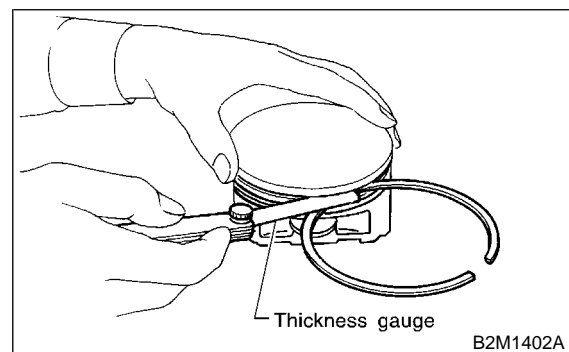


3) Measure the clearance between piston ring and piston ring groove with a thickness gauge.

### CAUTION:

Before measuring the clearance, clean the piston ring groove and piston ring.

		Unit: mm (in)	
		Standard	Limit
Clearance between piston ring and piston ring groove	Top ring	0.040 — 0.080 (0.0016 — 0.0031)	0.15 (0.0059)
	Second ring	0.030 — 0.070 (0.0012 — 0.0028)	0.15 (0.0059)



## 5. CONNECTING ROD S153090A1005

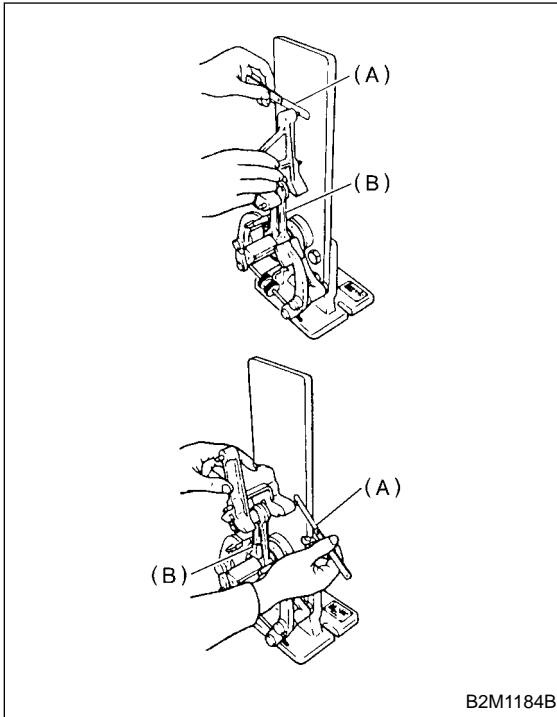
- 1) Replace connecting rod, if the large or small end thrust surface is damaged.
- 2) Check for bend or twist using a connecting rod aligner. Replace connecting rod if the bend or twist exceeds the limit.

# CYLINDER BLOCK

Mechanical

**Limit of bend or twist per 100 mm (3.94 in) in length:**

**0.10 mm (0.0039 in)**



- (A) Thickness gauge
- (B) Connecting rod

3) Install connecting rod fitted with bearing to crankshaft and measure the side clearance (thrust clearance). Replace connecting rod if the side clearance exceeds the specified limit.

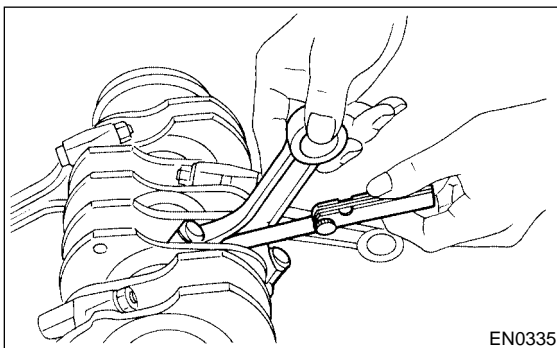
**Connecting rod side clearance:**

**Standard**

**0.070 — 0.330 mm (0.0028 — 0.0130 in)**

**Limit**

**0.4 mm (0.016 in)**



4) Inspect connecting rod bearing for scar, peeling, seizure, melting, wear, etc.

5) Measure the oil clearance on individual connecting rod bearings by means of plastigauge. If any oil clearance is not within specification, replace the defective bearing with a new one of standard size or undersize as necessary. (See the table below.)

**Connecting rod oil clearance:**

**Standard**

**0.010 — 0.038 mm (0.0004 — 0.0015 in)**

**Limit**

**0.05 mm (0.0020 in)**

Unit: mm (in)		
Bearing	Bearing size (Thickness at center)	Outer diameter of crank pin
Standard	1.492 — 1.501 (0.0587 — 0.0591)	51.984 — 52.000 (2.0466 — 2.0472)
0.03 (0.0012) undersize	1.510 — 1.513 (0.0594 — 0.0596)	51.954 — 51.970 (2.0454 — 2.0461)
0.05 (0.0020) undersize	1.520 — 1.523 (0.0598 — 0.0600)	51.934 — 51.950 (2.0446 — 2.0453)
0.25 (0.0098) undersize	1.620 — 1.623 (0.0638 — 0.0639)	51.734 — 51.750 (2.0368 — 2.0374)

6) Inspect bushing at connecting rod small end, and replace if worn or damaged. Also measure the piston pin clearance at the connecting rod small end.

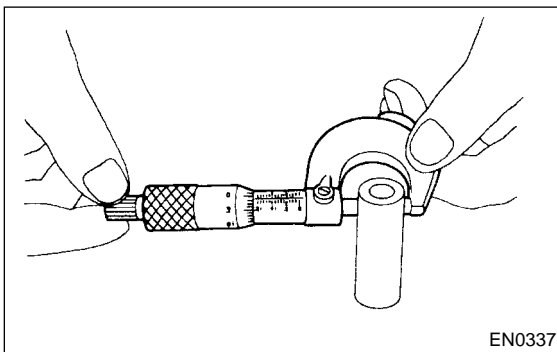
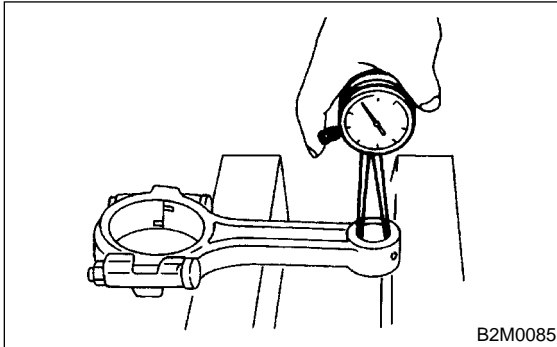
**Clearance between piston pin and bushing:**

**Standard**

0 — 0.022 mm (0 — 0.0009 in)

**Limit**

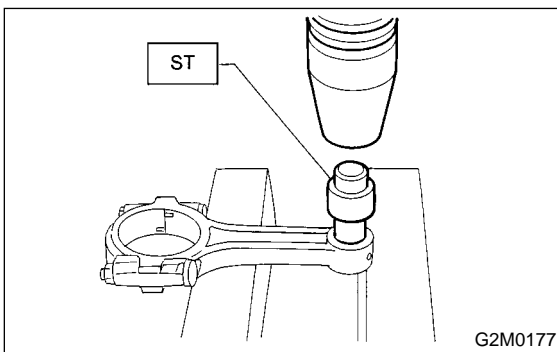
0.030 mm (0.0012 in)



7) Replacement procedure is as follows.

- (1) Remove bushing from connecting rod with ST and press.
- (2) Press bushing with ST after applying oil on the periphery of bushing.

ST 499037100 CONNECTING ROD BUSHING REMOVER AND INSTALLER



- (3) Make two 3 mm (0.12 in) holes in bushing. Ream the inside of bushing.
- (4) After completion of reaming, clean bushing to remove chips.

## 6. CRANKSHAFT AND CRANKSHAFT BEARING

S153090A1006

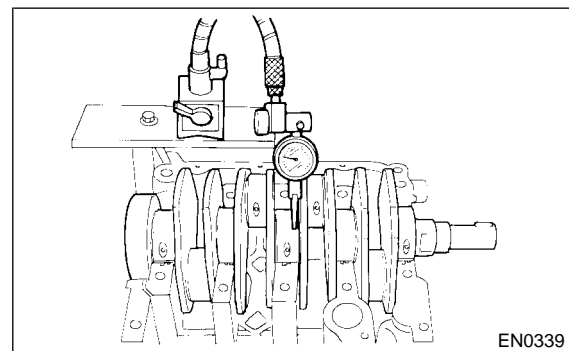
- 1) Clean crankshaft completely and check for cracks by means of red lead check etc., and replace if defective.
- 2) Measure the crankshaft bend, and correct or replace if it exceeds the limit.

**CAUTION:**

If a suitable V-block is not available, install #1 and #5 crankshaft bearing on cylinder block, position crankshaft on these bearings and measure crankshaft bend using a dial gauge.

**Crankshaft bend limit:**

0.035 mm (0.0014 in)



3) Inspect the crank journal and crank pin for wear. If they are not within the specifications, replace bearing with a suitable (undersize) one, and replace or recondition crankshaft as necessary. When grinding crank journal or crank pin, finish them to the specified dimensions according to the undersize bearing to be used.

**Crank pin and crank journal:**

**Out-of-roundness**

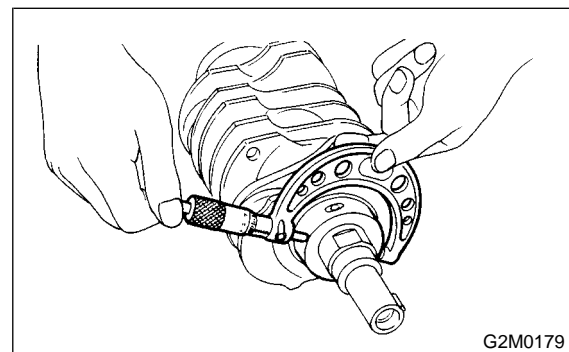
0.020 mm (0.0008 in) or less

**Taper limit**

0.07 mm (0.0028 in)

**Grinding limit**

0.250 mm (0.0098 in)



# CYLINDER BLOCK

Mechanical

		Crank journal diameter		Unit: mm (in)
		#1, #3	#2, #4, #5	Crank pin diameter
Standard	Journal O.D.	59.992 — 60.008 (2.3619 — 2.3625)	59.992 — 60.008 (2.3619 — 2.3625)	51.984 — 52.000 (2.0466 — 2.0472)
	Bearing size (Thickness at center)	1.998 — 2.011 (0.0787 — 0.0792)	2.000 — 2.013 (0.0787 — 0.0793)	1.492 — 1.501 (0.0587 — 0.0591)
0.03 (0.0012) undersize	Journal O.D.	59.962 — 59.978 (2.3607 — 2.3613)	59.962 — 59.978 (2.3607 — 2.3613)	51.954 — 51.970 (2.0454 — 2.0461)
	Bearing size (Thickness at center)	2.017 — 2.020 (0.0794 — 0.0795)	2.019 — 2.022 (0.0795 — 0.0796)	1.510 — 1.513 (0.0594 — 0.0596)
0.05 (0.0020) undersize	Journal O.D.	59.942 — 59.958 (2.3599 — 2.3605)	59.942 — 59.958 (2.3599 — 2.3605)	51.934 — 51.950 (2.0446 — 2.0453)
	Bearing size (Thickness at center)	2.027 — 2.030 (0.0798 — 0.0799)	2.029 — 2.032 (0.0799 — 0.0800)	1.520 — 1.523 (0.0598 — 0.0600)
0.25 (0.0098) undersize	Journal O.D.	59.742 — 59.758 (2.3520 — 2.3527)	59.742 — 59.758 (2.3520 — 2.3527)	51.734 — 51.750 (2.0368 — 2.0374)
	Bearing size (Thickness at center)	2.127 — 2.130 (0.0837 — 0.0839)	2.129 — 2.132 (0.0838 — 0.0839)	1.620 — 1.623 (0.0638 — 0.0639)

O.D. ... Outer Diameter

4) Measure the thrust clearance of crankshaft at center bearing. If the clearance exceeds the limit, replace bearing.

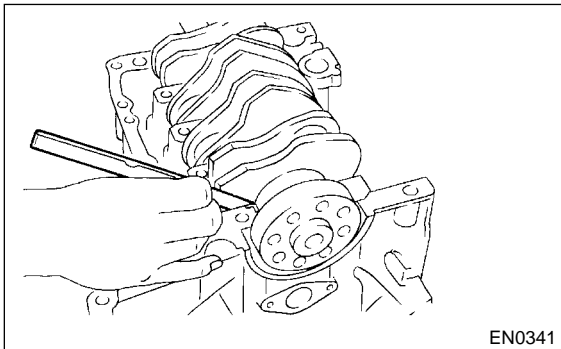
**Crankshaft thrust clearance:**

**Standard**

**0.030 — 0.115 mm (0.0012 — 0.0045 in)**

**Limit**

**0.25 mm (0.0098 in)**



5) Inspect individual crankshaft bearings for signs of flaking, seizure, melting, and wear.

6) Measure the oil clearance on each crankshaft bearing by means of plastigauge. If the measurement is not within the specification, replace defective bearing with an undersize one, and replace or recondition crankshaft as necessary.

Unit: mm (in)	
Crankshaft oil clearance	
Standard	0.010 — 0.030 (0.0004 — 0.0012)
Limit	0.040 (0.0016)

## 22. Engine Trouble in General

S153095

### A: INSPECTION S153095A10

NOTE:

“RANK” shown in the chart refer to the possibility of reason for the trouble in order (“Very often” to “Rarely”)

A — Very often

B — Sometimes

C — Rarely

TROUBLE	PROBLEM PARTS, ETC.	POSSIBLE CAUSE	RANK
1. Engine will not start.			
1) Starter does not turn.	● Starter	● Defective battery-to-starter harness	B
		● Defective starter switch	C
		● Defective inhibitor switch or neutral switch	C
		● Defective starter	B
	● Battery	● Poor terminal connection	A
		● Run-down battery	A
		● Defective charging system	B
	● Friction	● Seizure of crankshaft and connecting rod bearing	C
		● Seized camshaft	C
		● Seized or stuck piston and cylinder	C
2) Initial combustion does not occur.	● Starter	● Defective starter	C
	● Engine control system <Ref. to EN(SOHC)-2, Basic Diagnostic Procedure.> or <Ref. to EN(SOHCw/oOBD)-2, Basic Diagnostic Procedure.>		A
	● Fuel line	● Defective fuel pump and relay	A
		● Lack of or insufficient fuel	B
	● Belt	● Defective	B
		● Defective timing	B
	● Compression	● Incorrect valve clearance	C
		● Loosened spark plugs or defective gasket	C
		● Loosened cylinder head bolts or defective gasket	C
		● Improper valve seating	C
		● Defective valve stem	C
		● Worn or broken valve spring	B
		● Worn or stuck piston rings, cylinder and piston	C
		● Incorrect valve timing	B
● Improper engine oil (low viscosity)	B		

# ENGINE TROUBLE IN GENERAL

Mechanical

TROUBLE	PROBLEM PARTS, ETC.	POSSIBLE CAUSE	RANK
3) Initial combustion occur.	● Engine control system <Ref. to EN(SOHC)-2, Basic Diagnostic Procedure.> or <Ref. to EN(SOHCw/oOBD)-2, Basic Diagnostic Procedure.>		A
	● Intake system	● Defective intake manifold gasket	B
		● Defective throttle body gasket	B
	● Fuel line	● Defective fuel pump and relay	C
		● Clogged fuel line	C
		● Lack of or insufficient fuel	B
	● Belt	● Defective	B
		● Defective timing	B
	● Compression	● Incorrect valve clearance	C
		● Loosened spark plugs or defective gasket	C
		● Loosened cylinder head bolts or defective gasket	C
		● Improper valve seating	C
		● Defective valve stem	C
		● Worn or broken valve spring	B
● Worn or stuck piston rings, cylinder and piston		C	
● Incorrect valve timing		B	
● Improper engine oil (low viscosity)	B		
4) Engine stalls after initial combustion.	● Engine control system <Ref. to EN(SOHC)-2, Basic Diagnostic Procedure.> or <Ref. to EN(SOHCw/oOBD)-2, Basic Diagnostic Procedure.>		A
	● Intake system	● Loosened or cracked intake duct	B
		● Loosened or cracked PCV hose	C
		● Loosened or cracked vacuum hose	C
		● Defective intake manifold gasket	B
		● Defective throttle body gasket	B
		● Dirty air cleaner element	C
	● Fuel line	● Clogged fuel line	C
		● Lack of or insufficient fuel	B
	● Belt	● Defective	B
		● Defective timing	B
	● Compression	● Incorrect valve clearance	C
		● Loosened spark plugs or defective gasket	C
		● Loosened cylinder head bolts or defective gasket	C
		● Improper valve seating	C
		● Defective valve stem	C
		● Worn or broken valve spring	B
		● Worn or stuck piston rings, cylinder and piston	C
		● Incorrect valve timing	B
● Improper engine oil (low viscosity)	B		



# ENGINE TROUBLE IN GENERAL

Mechanical

TROUBLE	PROBLEM PARTS, ETC.	POSSIBLE CAUSE	RANK
2. Rough idle and engine stall	● Engine control system <Ref. to EN(SOHC)-2, Basic Diagnostic Procedure.> or <Ref. to EN(SOHCw/oOBD)-2, Basic Diagnostic Procedure.>		A
	● Intake system	● Loosened or cracked intake duct	A
		● Loosened or cracked PCV hose	A
		● Loosened or cracked vacuum hose	A
		● Defective intake manifold gasket	B
		● Defective throttle body gasket	B
		● Defective PCV valve	C
		● Loosened oil filter cap	B
		● Dirty air cleaner element	C
	● Fuel line	● Defective fuel pump and relay	C
		● Clogged fuel line	C
		● Lack of or insufficient fuel	B
	● Belt	● Defective timing	C
	● Compression	● Incorrect valve clearance	B
		● Loosened spark plugs or defective gasket	B
		● Loosened cylinder head bolts or defective gasket	B
		● Improper valve seating	B
		● Defective valve stem	C
		● Worn or broken valve spring	B
		● Worn or stuck piston rings, cylinder and piston	B
		● Incorrect valve timing	A
	● Lubrication system	● Incorrect oil pressure	B
		● Defective rocker cover gasket	C
● Cooling system	● Overheating	C	
● Others	● Malfunction of evaporative emission control system	A	
	● Stuck or damaged throttle valve	B	
	● Accelerator cable out of adjustment	C	

# ENGINE TROUBLE IN GENERAL

Mechanical

TROUBLE	PROBLEM PARTS, ETC.	POSSIBLE CAUSE	RANK
3. Low output, hesitation and poor acceleration	● Engine control system <Ref. to EN(SOHC)-2, Basic Diagnostic Procedure.> or <Ref. to EN(SOHCw/oOBD)-2, Basic Diagnostic Procedure.>		A
	● Intake system	● Loosened or cracked intake duct	A
		● Loosened or cracked PCV hose	A
		● Loosened or cracked vacuum hose	B
		● Defective intake manifold gasket	B
		● Defective throttle body gasket	B
		● Defective PCV valve	B
		● Loosened oil filter cap	B
		● Dirty air cleaner element	A
	● Fuel line	● Defective fuel pump and relay	B
		● Clogged fuel line	B
		● Lack of or insufficient fuel	C
	● Belt	● Defective timing	B
	● Compression	● Incorrect valve clearance	B
		● Loosened spark plugs or defective gasket	B
		● Loosened cylinder head bolts or defective gasket	B
		● Improper valve seating	B
		● Defective valve stem	C
		● Worn or broken valve spring	B
		● Worn or stuck piston rings, cylinder and piston	C
		● Incorrect valve timing	A
	● Lubrication system	● Improper engine oil (low viscosity)	B
		● Incorrect oil pressure	B
● Cooling system	● Overheating	C	
	● Over cooling	C	
● Others	● Malfunction of evaporative emission control system	A	
4. Surging	● Engine control system <Ref. to EN(SOHC)-2, Basic Diagnostic Procedure.> or <Ref. to EN(SOHC)-2, Basic Diagnostic Procedure.>		A
	● Intake system	● Loosened or cracked intake duct	A
		● Loosened or cracked PCV hose	A
		● Loosened or cracked vacuum hose	A
		● Defective intake manifold gasket	B
		● Defective throttle body gasket	B
		● Defective PCV valve	B
		● Loosened oil filter cap	B
		● Dirty air cleaner element	B
	● Fuel line	● Defective fuel pump and relay	B
		● Clogged fuel line	B
		● Lack of or insufficient fuel	C
	● Belt	● Defective timing	B
	● Compression	● Incorrect valve clearance	B
		● Loosened spark plugs or defective gasket	C
		● Loosened cylinder head bolts or defective gasket	C
		● Improper valve seating	C
		● Defective valve stem	C
		● Worn or broken valve spring	C
		● Worn or stuck piston rings, cylinder and piston	C
		● Incorrect valve timing	A
	● Cooling system	● Improper engine oil (low viscosity)	B
		● Overheating	B
● Others	● Malfunction of evaporative emission control system	C	

# ENGINE TROUBLE IN GENERAL

Mechanical

TROUBLE	PROBLEM PARTS, ETC.	POSSIBLE CAUSE	RANK
5. Engine does not return to idle.	● Engine control system <Ref. to EN(SOHC)-2, Basic Diagnostic Procedure.> or <Ref. to EN(SOHCw/oOBD)-2, Basic Diagnostic Procedure.>		A
	● Intake system	● Loosened or cracked vacuum hose	A
	● Others	● Stuck or damaged throttle valve	A
		● Accelerator cable out of adjustment	B
6. Dieseling (Run-on)	● Engine control system <Ref. to EN(SOHC)-2, Basic Diagnostic Procedure.> or <Ref. to EN(SOHCw/oOBD)-2, Basic Diagnostic Procedure.>		A
	● Cooling system	● Overheating	B
	● Others	● Malfunction of evaporative emission control system	B
7. After burning in exhaust system	● Engine control system <Ref. to EN(SOHC)-2, Basic Diagnostic Procedure.> or <Ref. to EN(SOHCw/oOBD)-2, Basic Diagnostic Procedure.>		A
	● Intake system	● Loosened or cracked intake duct	C
		● Loosened or cracked PCV hose	C
		● Loosened or cracked vacuum hose	B
		● Defective PCV valve	B
		● Loosened oil filler cap	C
	● Belt	● Defective timing	B
	● Compression	● Incorrect valve clearance	B
		● Loosened spark plugs or defective gasket	C
		● Loosened cylinder head bolts or defective gasket	C
		● Improper valve seating	B
		● Defective valve stem	C
		● Worn or broken valve spring	C
		● Worn or stuck piston rings, cylinder and piston	C
	● Incorrect valve timing	A	
	● Lubrication system	● Incorrect oil pressure	C
● Cooling system	● Over cooling	C	
● Others	● Malfunction of evaporative emission control system	C	
8. Knocking	● Engine control system <Ref. to EN(SOHC)-2, Basic Diagnostic Procedure.> or <Ref. to EN(SOHCw/oOBD)-2, Basic Diagnostic Procedure.>		A
	● Intake system	● Loosened oil filter cap	B
	● Belt	● Defective timing	B
	● Compression	● Incorrect valve clearance	C
		● Incorrect valve timing	B
● Cooling system	● Overheating	A	
9. Excessive engine oil consumption	● Intake system	● Loosened or cracked PCV hose	A
		● Defective PCV valve	B
		● Loosened oil filter cap	C
	● Compression	● Defective valve stem	A
		● Worn or stuck piston rings, cylinder and piston	A
	● Lubrication system	● Loosened oil pump attaching bolts and defective gasket	B
		● Defective oil filter seal	B
		● Defective crankshaft oil seal	B
		● Defective rocker cover gasket	B
		● Loosened oil drain plug or defective gasket	B
	● Loosened oil pan fitting bolts or defective oil pan	B	

# ENGINE TROUBLE IN GENERAL

Mechanical

TROUBLE	PROBLEM PARTS, ETC.	POSSIBLE CAUSE	RANK
10. Excessive fuel consumption	<ul style="list-style-type: none"> <li>● Engine control system &lt;Ref. to EN(SOHC)-2, Basic Diagnostic Procedure.&gt; or &lt;Ref. to EN(SOHCw/oOBD)-2, Basic Diagnostic Procedure.&gt;</li> </ul>		A
	<ul style="list-style-type: none"> <li>● Intake system</li> </ul>	<ul style="list-style-type: none"> <li>● Dirty air cleaner element</li> </ul>	A
	<ul style="list-style-type: none"> <li>● Belt</li> </ul>	<ul style="list-style-type: none"> <li>● Defective timing</li> </ul>	B
	<ul style="list-style-type: none"> <li>● Compression</li> </ul>	<ul style="list-style-type: none"> <li>● Incorrect valve clearance</li> </ul>	B
		<ul style="list-style-type: none"> <li>● Loosened spark plugs or defective gasket</li> </ul>	C
		<ul style="list-style-type: none"> <li>● Loosened cylinder head bolts or defective gasket</li> </ul>	C
		<ul style="list-style-type: none"> <li>● Improper valve seating</li> </ul>	B
		<ul style="list-style-type: none"> <li>● Defective valve stem</li> </ul>	C
		<ul style="list-style-type: none"> <li>● Worn or broken valve spring</li> </ul>	C
		<ul style="list-style-type: none"> <li>● Worn or stuck piston rings, cylinder and piston</li> </ul>	B
		<ul style="list-style-type: none"> <li>● Incorrect valve timing</li> </ul>	B
	<ul style="list-style-type: none"> <li>● Lubrication system</li> </ul>	<ul style="list-style-type: none"> <li>● Incorrect oil pressure</li> </ul>	C
	<ul style="list-style-type: none"> <li>● Cooling system</li> </ul>	<ul style="list-style-type: none"> <li>● Over cooling</li> </ul>	C
<ul style="list-style-type: none"> <li>● Others</li> </ul>	<ul style="list-style-type: none"> <li>● Accelerator cable out of adjustment</li> </ul>	B	

## 23. Engine Noise S153096

### A: INSPECTION S153096A10

Type of sound	Condition	Possible cause
Regular clicking sound	Sound increases as engine speed increases.	<ul style="list-style-type: none"> <li>● Valve mechanism is defective.</li> <li>● Incorrect valve clearance</li> <li>● Worn valve rocker</li> <li>● Worn camshaft</li> <li>● Broken valve spring</li> </ul>
Heavy and dull clank	Oil pressure is low.	<ul style="list-style-type: none"> <li>● Worn crankshaft main bearing</li> <li>● Worn connecting rod bearing (big end)</li> </ul>
	Oil pressure is normal.	<ul style="list-style-type: none"> <li>● Loose flywheel mounting bolts</li> <li>● Damaged engine mounting</li> </ul>
High-pitched clank (Spark knock)	Sound is noticeable when accelerating with an overload.	<ul style="list-style-type: none"> <li>● Ignition timing advanced</li> <li>● Accumulation of carbon inside combustion chamber</li> <li>● Wrong spark plug</li> <li>● Improper gasoline</li> </ul>
Clank when engine speed is medium (1,000 to 2,000 rpm).	Sound is reduced when fuel injector connector of noisy cylinder is disconnected. (NOTE*)	<ul style="list-style-type: none"> <li>● Worn crankshaft main bearing</li> <li>● Worn bearing at crankshaft end of connecting rod</li> </ul>
Knocking sound when engine is operating under idling speed and engine is warm	Sound is reduced when fuel injector connector of noisy cylinder is disconnected. (NOTE*)	<ul style="list-style-type: none"> <li>● Worn cylinder liner and piston ring</li> <li>● Broken or stuck piston ring</li> <li>● Worn piston pin and hole at piston end of connecting rod</li> </ul>
	Sound is not reduced if each fuel injector connector is disconnected in turn. (NOTE*)	<ul style="list-style-type: none"> <li>● Unusually worn valve lifter</li> <li>● Worn cam gear</li> <li>● Worn camshaft journal bore in crankcase</li> </ul>
Squeaky sound	—	<ul style="list-style-type: none"> <li>● Insufficient generator lubrication</li> </ul>
Rubbing sound	—	<ul style="list-style-type: none"> <li>● Defective generator brush and rotor contact</li> </ul>
Gear scream when starting engine	—	<ul style="list-style-type: none"> <li>● Defective ignition starter switch</li> <li>● Worn gear and starter pinion</li> </ul>
Sound like polishing glass with a dry cloth	—	<ul style="list-style-type: none"> <li>● Loose drive belt</li> <li>● Defective water pump shaft</li> </ul>
Hissing sound	—	<ul style="list-style-type: none"> <li>● Loss of compression</li> <li>● Air leakage in air intake system, hoses, connections or manifolds</li> </ul>
Timing belt noise	—	<ul style="list-style-type: none"> <li>● Loose timing belt</li> <li>● Belt contacting case/adjacent part</li> </ul>
Valve tappet noise	—	<ul style="list-style-type: none"> <li>● Incorrect valve clearance</li> </ul>

**NOTE\*:**

When disconnecting fuel injector connector, Malfunction Indicator Light (CHECK ENGINE light) illuminates and trouble code is stored in ECM memory.

Therefore, carry out the CLEAR MEMORY MODE <Ref. to EN(SOHC)-45, OPERATION, Clear Memory Mode.> or <Ref. to EN(SOHCw/oOBD)-31, OPERATION, Clear Memory Mode.> and INSPECTION MODE <Ref. to EN(SOHC)-42, OPERATION, Inspection Mode.> or <Ref. to EN(SOHCw/oOBD)-29, OPERATION, Inspection Mode.> after connecting fuel injector connector.

# ENGINE NOISE

Mechanical

---

**MEMO:**